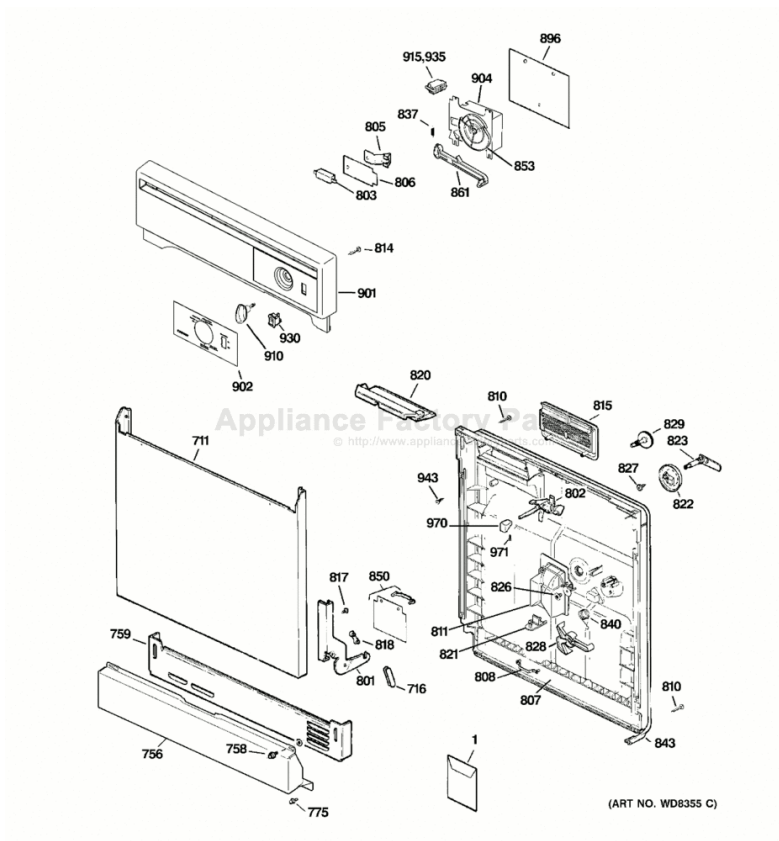


This Owner's Manual is provided and hosted by [Appliance Factory Parts](http://Appliance Factory Parts).



# GE HDA2100V00CC Owner's Manual

[Shop genuine replacement parts for GE  
HDA2100V00CC](#)



[Find Your GE Dishwasher Parts - Select From 6722 Models](#)

----- Manual continues below part list -----

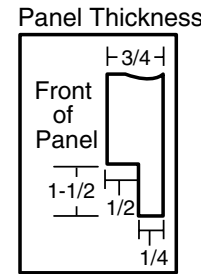
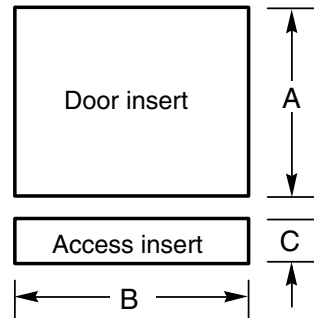
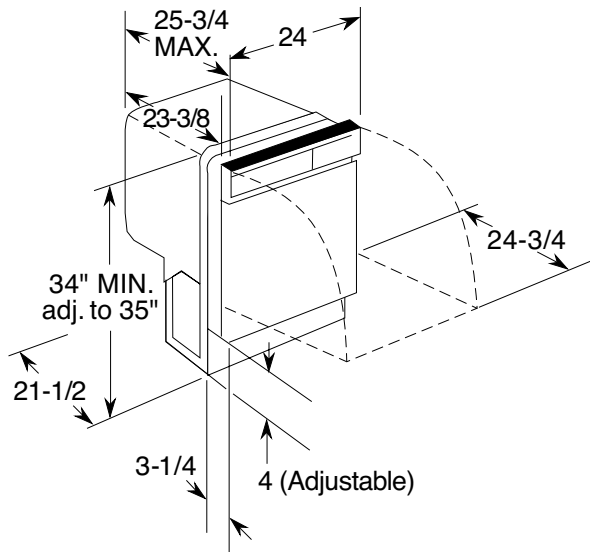
## Available Replacement Parts for GE HDA2100V00CC

<a href="#"><u>wd8x228</u></a>	BAFFLE LH AFTERMARKET
<a href="#"><u>wd8x227</u></a>	BAFFLE RH AFTERMARKET
<a href="#"><u>WD26X10051</u></a>	DISHWASHER MOTOR & PUMP ASSEMBLY
<a href="#"><u>WD14X10009</u></a>	LINK HINGE ARM
<a href="#"><u>WD21X10268</u></a>	BRACKET & SOLENOID AFERTMARKET
<a href="#"><u>WD18X214</u></a>	CONNECT PUMP
<a href="#"><u>WD22X10055</u></a>	SPRAY ARM WELD
<a href="#"><u>WD16X10011</u></a>	LATCH DETERGENT CUP
<a href="#"><u>WD1X1316</u></a>	ARMATURE&LNK
<a href="#"><u>WD24X10014</u></a>	DISHWASHER DRAIN HOSE
<a href="#"><u>WD12X10244</u></a>	BASE SPRAY ARM
<a href="#"><u>WD31X10004</u></a>	DOOR INNER
<a href="#"><u>WD15X10014</u></a>	VALVE WATER INLET AFTERMARKET
<a href="#"><u>WR2X7054</u></a>	REFRIGERATOR PUSH-ON MOUNTING CLIP
<a href="#"><u>WD28X265</u></a>	BSKT SILV TI
<a href="#"><u>WD28X31819</u></a>	LOWER RACK
<a href="#"><u>WD16X313</u></a>	SHAFT DET CP
<a href="#"><u>WD12X10284</u></a>	CAP FILL
<a href="#"><u>WD12X10074</u></a>	ROLLER LOWER RACK AFTERMARKET
<a href="#"><u>WD12X10304</u></a>	DISHWASHER RACK SLIDE END CAP
<a href="#"><u>WD08X10057</u></a>	DOOR GASKET AFTERMARKET
<a href="#"><u>WD12X10408</u></a>	DISHWASHER FILTER BALL - ORANGE
<a href="#"><u>WD21X10261</u></a>	APPL. SWITCH
<a href="#"><u>WD05X26780</u></a>	HEATING ELEMENT ASM

# HOTPOINT®

## HDA2100V – Hotpoint Built-In Dishwasher

### Dishwasher Dimensions (in inches)

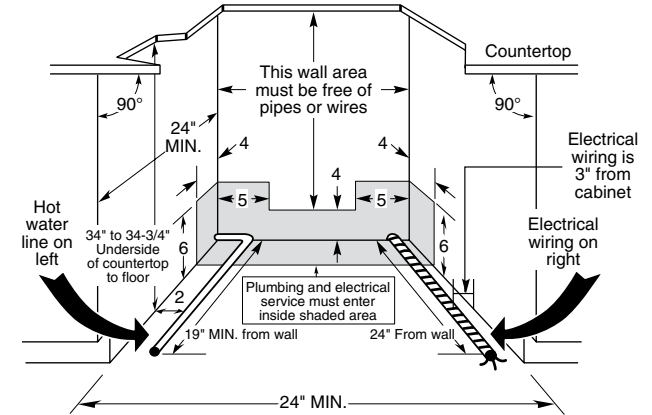


When using GPF325  
1/4" custom dishwasher  
door and access panel kit.

When using GPF375  
3/4" custom dishwasher  
door and access panel kit.

Kit	A	B	C	Panel Thickness
GPF325	18-7/8"	23-9/16"	3-11/16"	1/4"
GPF375	18-15/16"	23-5/8"	4-1/4" to 3-3/4"	3/4"

\* Bottom of panel must be notched 1-1/2" x 1/2" to clear across panel  
 \*\* Adjustment required to match adjacent cabinet fronts due to leveling leg adjustment, 4" nominal



**Note:** Dishwasher must not be installed more than 10 feet from sink for proper drainage. All plumbing and electrical work must be in accordance with local codes. Dishwasher includes drain hose and leveling legs.

**Installation Information:** Before installing, consult installation instructions packed with product for current dimensional data.

### Electrical Rating

Voltage AC.....	120
Hertz.....	60
Total connected load amperage.....	8.6
Calrod® heater watts max.....	500

For use on adequately wired 120-volt, 15-amp circuit having 2-wire service with a separate ground wire. This appliance must be grounded for safe operation.

### Specification Revised 3/13

450160



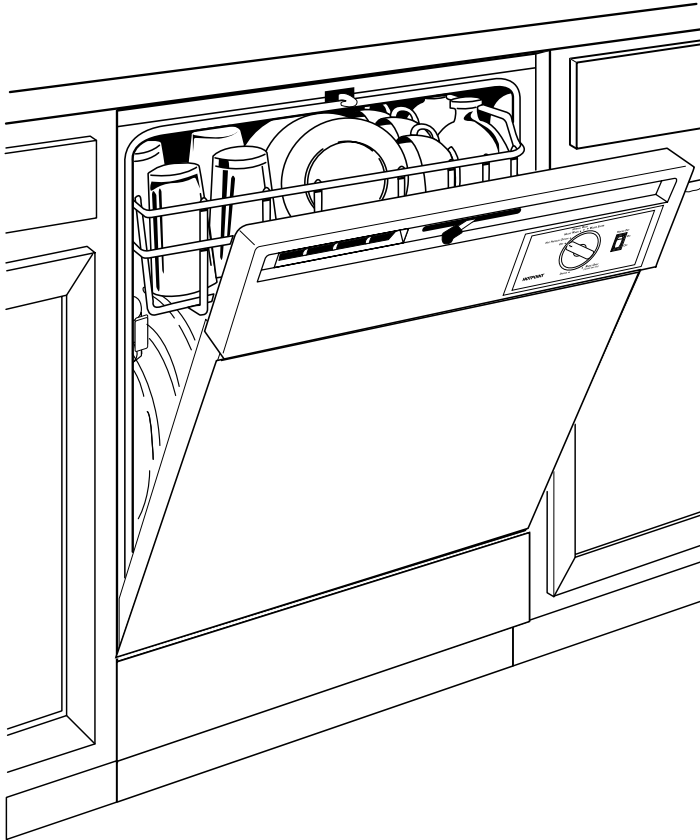
As an ENERGY STAR® partner, GE has determined that this product meets the ENERGY STAR guidelines for energy efficiency.



Listed by Underwriters Laboratories

# HOTPOINT®

## HDA2100V – Hotpoint Built-In Dishwasher



### Features and Benefits

- Piranha™ hard food disposer - Grinds food into small particles that are washed away
- Hot Start option - Provides optimal water temperature for dependable performance
- 64 dBA - motor runs quietly to keep kitchen peaceful
- Water saver cycle - Great for quickly washing loads of everyday dishes or a quick load of glasses
- Heavy wash cycle - great for heavily soiled dishes and cookware
- ENERGY STAR® Qualified - Meets or exceeds 2011 federal guidelines for energy efficiency for year-round energy and money savings
- 5 cycles/2 options - Allows you to select the combination that best cleans your dishes
- Up to 12-place setting capacity racking - Provides flexibility to wash a variety of dishes at once
- Model HDA2100VWW – White on white
- Model HDA2100VBB – Black on black
- Model HDA2100VCC – Bisque on bisque