

This Owner's Manual is provided and hosted by [Appliance Factory Parts](#).



LG LSN307HV3 Owner's Manual

[Shop genuine replacement parts for LG LSN307HV3](#)



[Find Your LG Air Conditioner Parts - Select From 2330 Models](#)

----- Manual continues below part list -----

Available Replacement Parts for LG LSN307HV3

4280A20004M	Bearing
4681A20042E	Motor Assembly,dc,stepping
3301A10014A	Installation Plate Assembly
4681A20091Q	Dc Motor Assembly
5230A20063A	Air Filter
5901A20046A	Cross Flow Fan Assembly
5990A20065C	Horizontal Louver
EBG60787304	Thermistor Assembly
EBG61110706	Ntc Thermistor Assembly
4681A20042G	Motor Assembly,dc,stepping
5990A20065B	Horizontal Louver
MDJ61144719	Air Filter
AKB74375403	Remote Control



Internal Use Only

<http://biz.lgservice.com>

Room Air Conditioner SVC MANUAL(Exploded View)

MODEL : AS-W243D8B8(LSN240HSV3/ LSU240HSV3)
AS-W303D8B8(LSN307HV3/ LSU307HV3)
AS-W363D8B8(LSN360HV3/ LSU360HV3)

CAUTION

Before Servicing the unit, read the safety precautions in General SVC manual.
Only for authorized service personnel.

1. Product Specifications

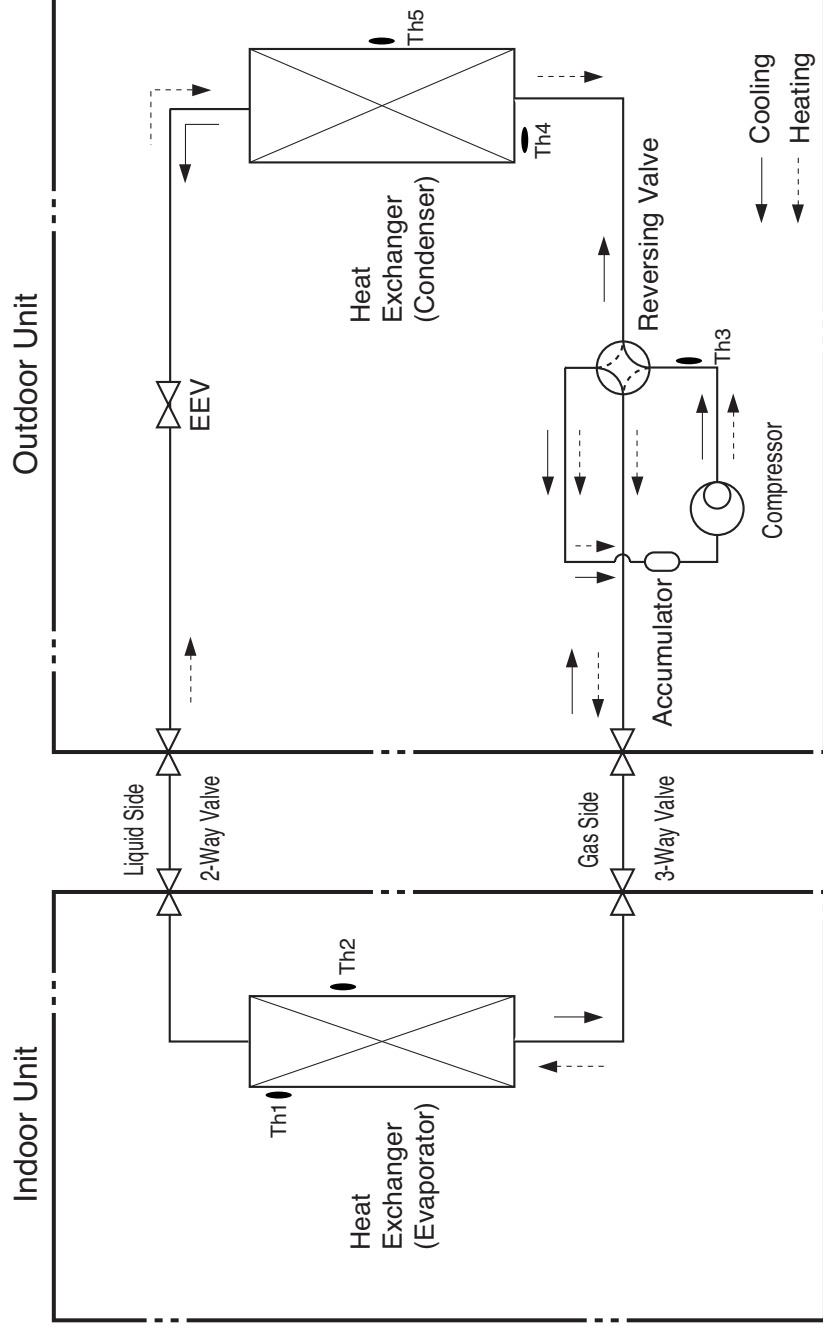
Models	Unit	AS-W243DB88	AS-W303DB88	AS-W363DB88
Cooling Capacity	KW	0.90 ~ 6.45 ~ 8.80	0.90 ~ 8.79 ~ 9.96	0.90 ~ 9.67 ~ 9.96
Heating Capacity	Btu/h	3,070 ~ 22,000 ~ 30,030	3,070 ~ 30,000 ~ 34,000	3,070 ~ 33,000 ~ 34,000
	KW	0.90 ~ 8.09 ~ 11.40	0.90 ~ 9.38 ~ 11.40	0.90 ~ 10.32 ~ 11.40
	Btu/h	3,070 ~ 27,600 ~ 38,898	3,070 ~ 32,000 ~ 38,900	3,070 ~ 35,200 ~ 38,900
Power Input	W	1760/2380	3000/3100	4035/3840
Running Current	A	7.9/10.7	13.4/13.9	17.0/16.2
Starting Current	A	7.9/10.7	13.4/13.9	17.0/16.2
EER	3.66		2.93	2.4
	12.5		10	8.2
	20		18	16.1
HSPF	10.2		9.5	9.9
	1208-230/60		1208-230/60	1208-230/60
Power Supply Power Factor	%	96.9	97.3	98.2
Air Flow Rate	Indoor,Max	25(883)	25(883)	25(883)
	Outdoor,Max	60.0(2119)	60.0(2119)	60.0(2119)
Moisture Removal	l/h	2.8(6.0)	4.8(10.6)	4.8(10.6)
Sound Level	Indoor, H1M/L	49/44/39	49/44/39	49/44/39
	Outdoor,Max	54	55	55
Refrigerant & Charge (at 7.5 m)	g(oz)	R410A, 2,000(70.5)	R410A, 2,000(70.5)	R410A, 2,000(70.5)
Additional Refrigerant charge	g(m/ozft)	35(0.38)	35(0.38)	35(0.38)
Compressor	Type	Twin Rotary	Twin Rotary	Twin Rotary
	Model	GJT240MBA	GJT240MBA	GJT240MBA
	Motor Type	Brushless DC Motor	Brushless DC Motor	Brushless DC Motor
Oil Charge	Oil Type	PVE(FVC68D)	PVE(FVC68D)	PVE(FVC68D)
	O.L.P.name	900	900	900
Fan(Indoor)	Type	Cross Flow Fan	Cross Flow Fan	Cross Flow Fan
	Motor Output	76.1	76.1	76.1
Fan(Outdoor)	Type	Propeller, Fan	Propeller, Fan	Propeller, Fan
	Motor Type	BLDC	BLDC	BLDC
Circuit Breaker*	Motor Output	124	124	124
	A	25	25	25
Power Supply Cable	No. *mm ²	3*2.5	3*2.5	3*2.5
	No. *mm ²	4*1.0 (Including Earth)	4*1.0 (Including Earth)	4*1.0 (Including Earth)
Power and Transmission Cable No. *mm ²	mm(in)	9.52(3/8)	9.52(3/8)	9.52(3/8)
	Liquid Side	15.88(5/8)	15.88(5/8)	15.88(5/8)
Piping Connections	Cas Side	21.5 / 16.0(0.85 / 0.63)	21.5 / 16.0(0.85 / 0.63)	21.5 / 16.0(0.85 / 0.63)
	mm(in)	1209*346*205	1209*346*205	1209*346*205
Dimensions	Indoor (W*H*D)	47.6*13.6*8.1	47.6*13.6*8.1	47.6*13.6*8.1
	Outdoor (W*H*D)	870*800*320	870*800*320	870*800*320
Net Weight	Indoor	34.3*31.5*12.6	34.3*31.5*12.6	34.3*31.5*12.6
	Outdoor	16.1(35.5)	16.1(35.5)	16.1(35.5)
Gross Weight	Indoor	58(127.8)	58(127.8)	58(127.8)
	Outdoor	18.9(41.7)	18.9(41.7)	18.9(41.7)
Operation Range	Cooling (Outdoor)	62(136.7)	62(136.7)	62(136.7)
	Heating (Outdoor)	-18~-48(-0.4~-118.4)	-18~-48(-0.4~-118.4)	-18~-48(-0.4~-118.4)
Piping Length (Min/Max)	°C(°F)	-20 ~ 24 (-4 ~ 75.2)	-20 ~ 24 (-4 ~ 75.2)	-20 ~ 24 (-4 ~ 75.2)
	m(ft)	3(9.84) / 30(98.4)	3(9.84) / 30(98.4)	3(9.84) / 30(98.4)
Chargeless	m(ft)	7.5(24.6)	7.5(24.6)	7.5(24.6)
Max. Elevation Difference	m(ft)	15(49.2)	15(49.2)	15(49.2)
Tool Code(Chassis)	Indoor + Outdoor	SD + UE1+	SD + UE1+	SD + UE1+
	Temperature Control	Thermistor	Thermistor	Thermistor
Functions	Allergy free filler	-	-	-
	Plasma Filter + 2M[CH] NPI	-	-	-
	Prefilter(washable/anti-fungus)	O	O	O
	3M HAF Filter	O	O	O
	Auto Clean	O	O	O
	CHAOS Wind(Auto Wind)	O	O	O
	Steps, Fan/Cool/Heat	3/4/3	3/4/3	3/4/3
	Airflow Direction Control(up & down)	Auto	Auto	Auto
	Airflow Direction Control(left & right)	Auto	Auto	Auto
	Remote Controller Type	Better	Better	Better
Range	Settling Temperature	Cooling	18°C ~ 30°C	18°C ~ 30°C
	Heating	Heating	16°C ~ 30°C	16°C ~ 30°C
Auto Operation(Micom Control)	Auto Changeover(Micom Control)	O	O	O
Self Diagnosis	Timer	O	O	O
Sleep Operation	Sleep Operation	24h, On/Off	24h, On/Off	24h, On/Off
Soft Dry Operation	Soft Dry Operation	O	O	O
Restart Delay(minute)	Restart Delay(minute)	3	3	3
Deice Control(Deforst)	Deice Control(Deforst)	O	O	O
Hot Start	Hot Start	O	O	O
Jet Cool/Heat	Jet Cool/Heat	O	O	O
Low Ambient Operation	Low Ambient Operation	O	O	O
Special Function	Special Function	Water Level Sensor, Cooling Only Switch, Wind Baffle Kit, WLAN		

Note :

- O : Applied, - : No relation
- * For circuit rating, please confirm to local standards wherever necessary
- * With wind baffle accessory installed. With put wind baffle installed, the minimum temperature will below 14°F D.B.
- * If you use WLAN, WLAN module must be purchased separately.

- * Some of functions are slightly different depending upon models
- * The specification may be subject to change without notice for purpose of improvement

2. Piping Diagrams

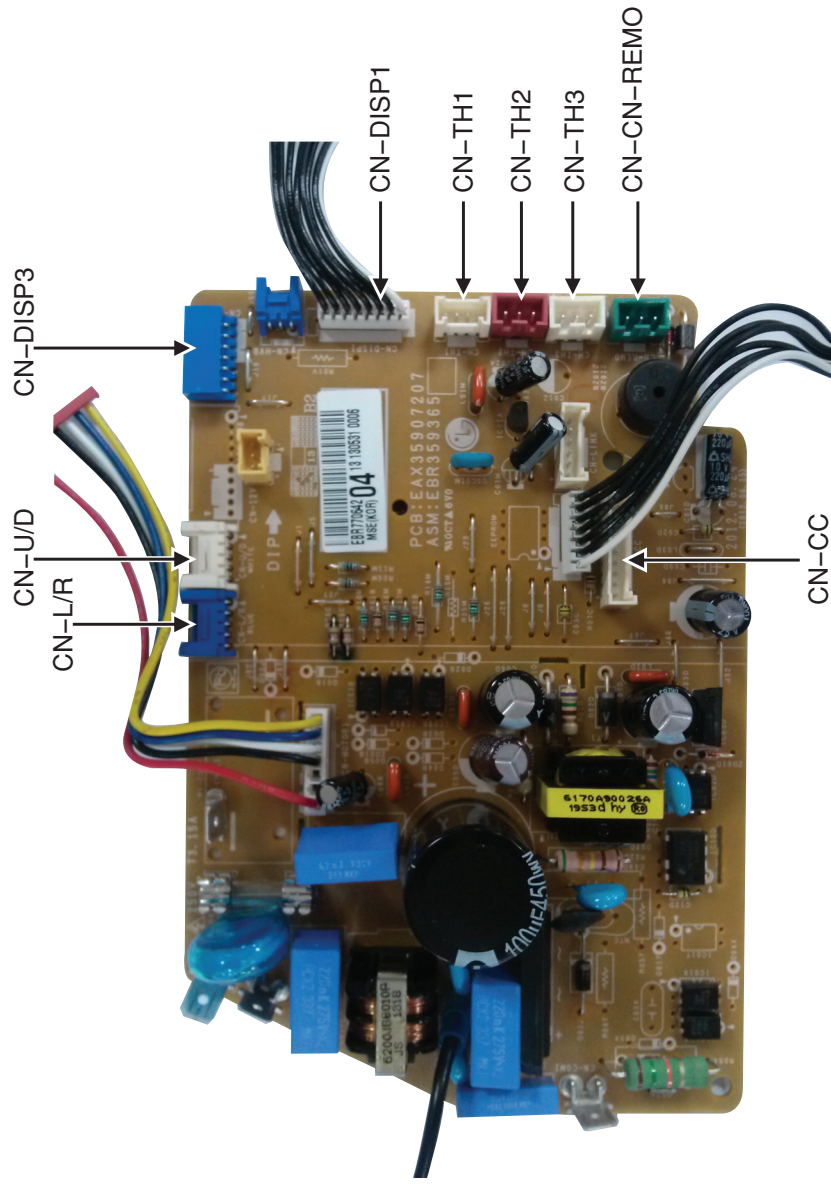
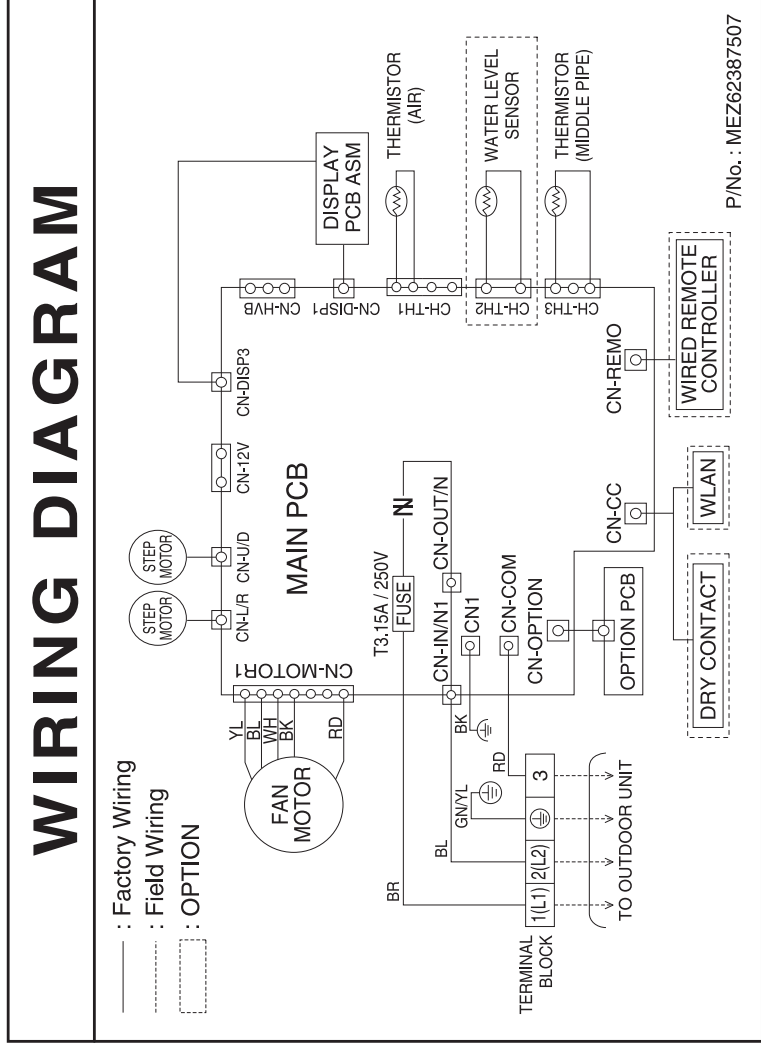


LOC.	Description	PCB Connector
Th1	Thermistor for suction air temperature	CN-TH1 (Indoor)
Th2	Thermistor for evaporator middle temperature	CN-TH3 (Indoor)
Th3	Thermistor for discharge pipe temperature	CN-TH3 (OUTDOOR)
Th4	Thermistor for outdoor air temperature	CN-TH2 (OUTDOOR)
Th5	Thermistor for condensing middle temperature	CN-TH2 (OUTDOOR)

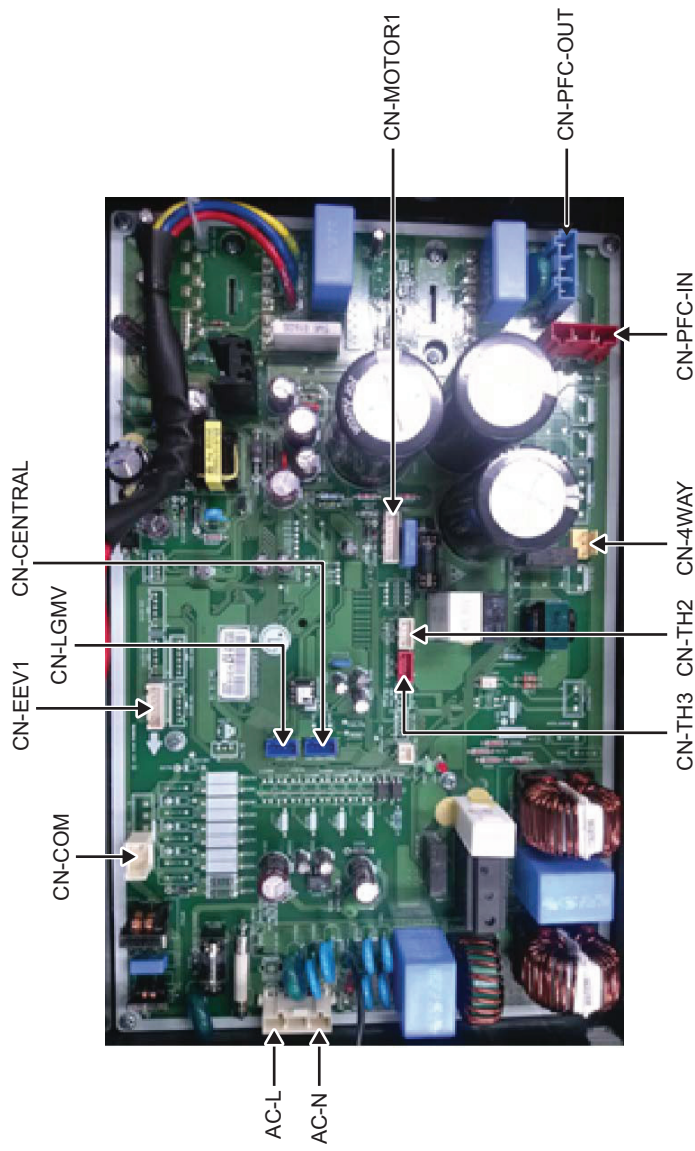
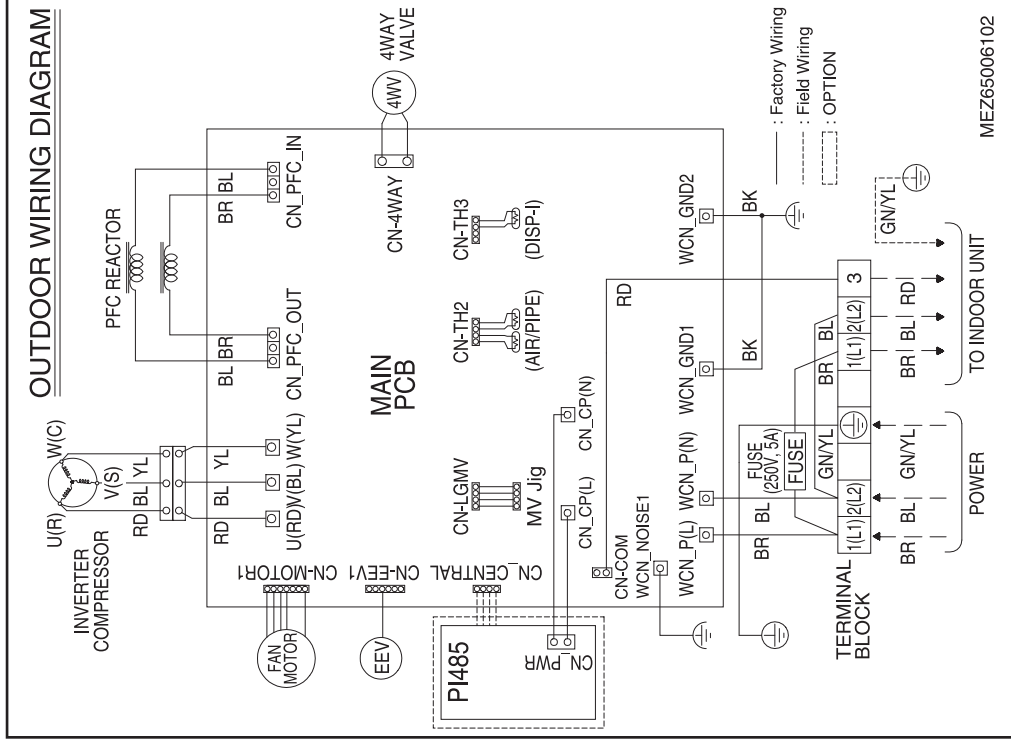
※ EEV : Electronic Expansion Valve

3. Wiring Diagrams

Indoor Unit

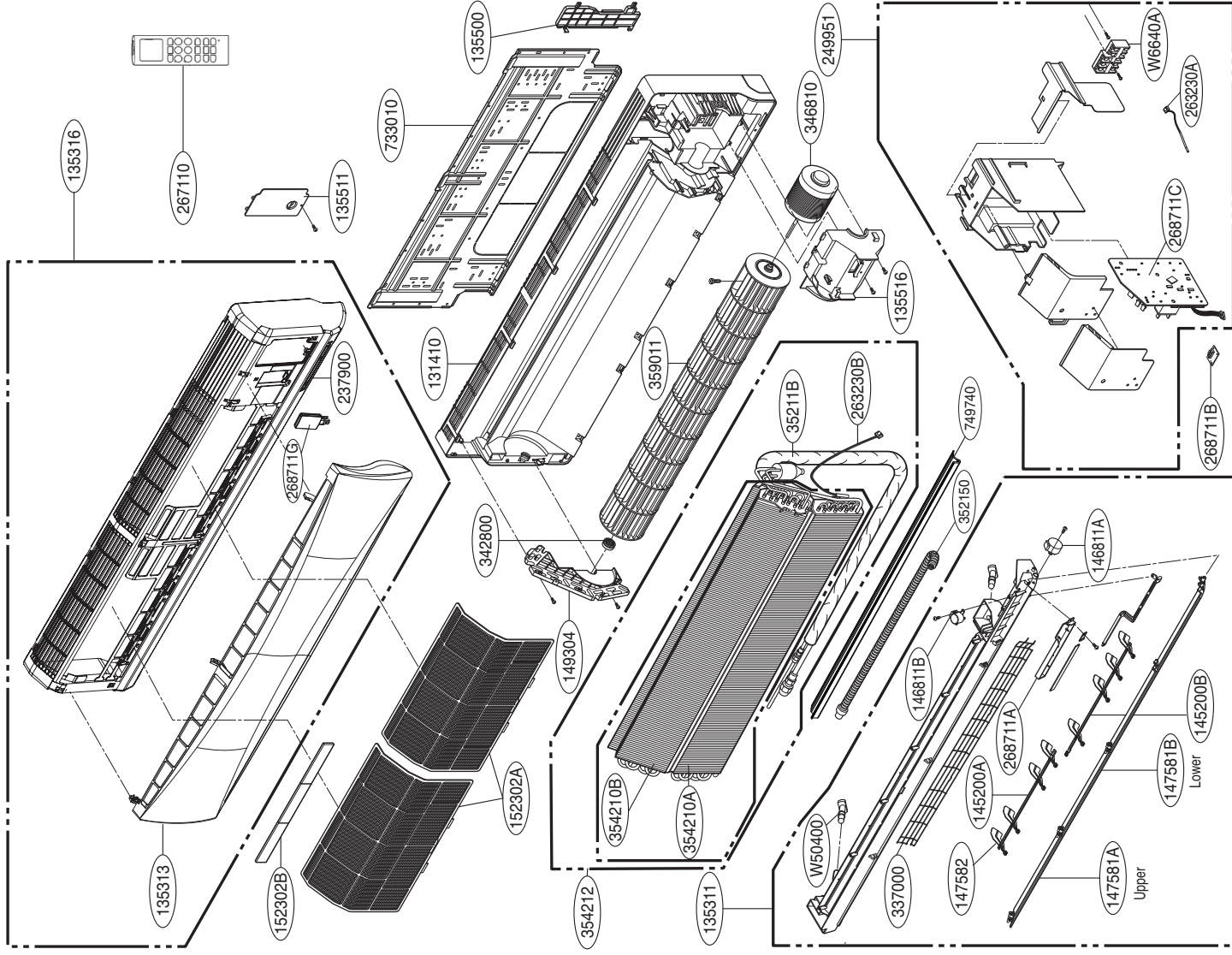


Outdoor Unit



Exploded View

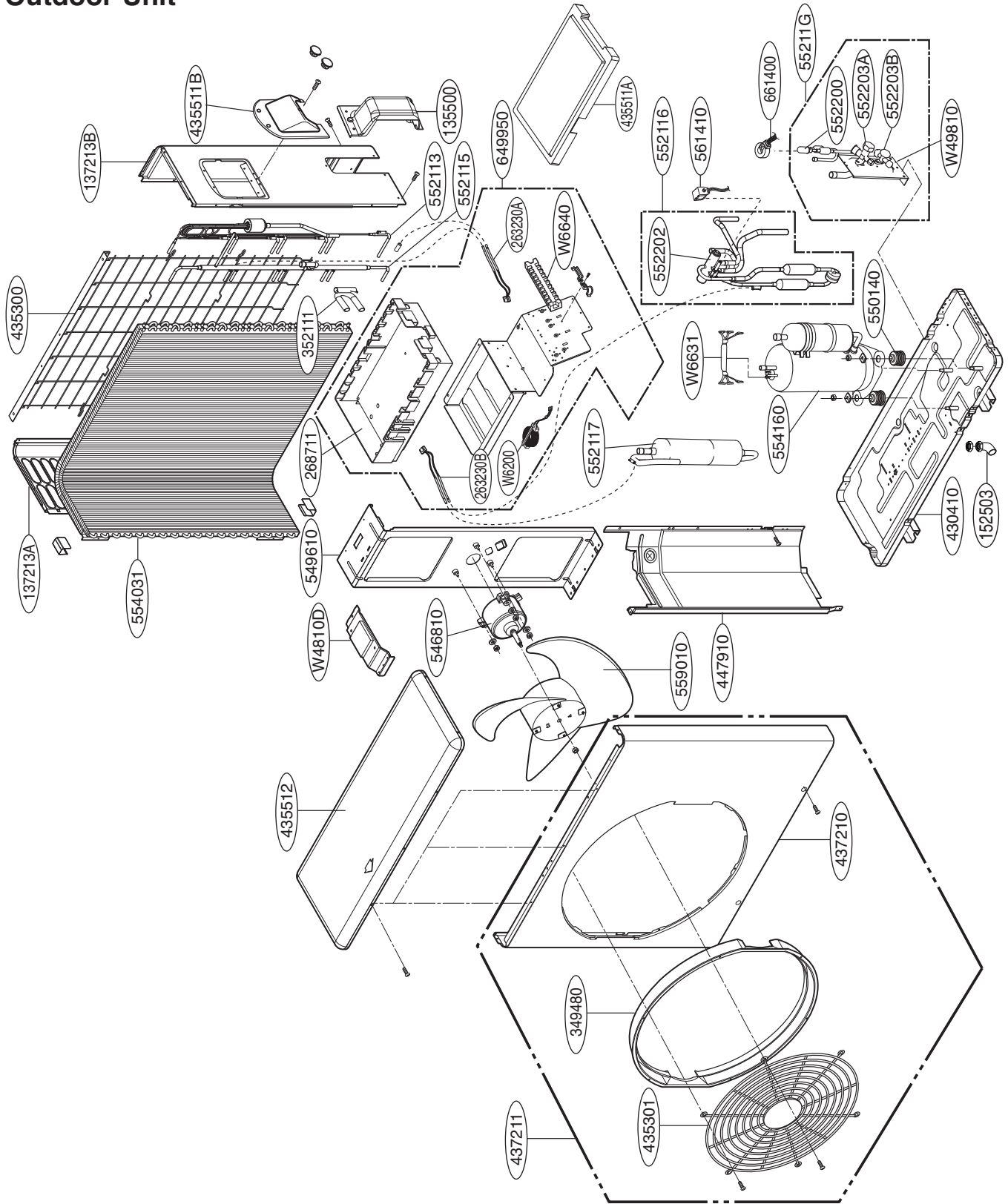
Indoor Unit



LOC	Description
263230A	Thermistor for suction air temperature
263230B	Thermistor for evaporator middle temperature

Note) * Please ensure GCSC since the replacement parts may be changed depending upon the buyer's request.
 Please check the correct parts in View RPL (Replacement Part List) on GCSC.
 (GCSC Website <http://biz.lgservice.com>.)

Outdoor Unit



LOC	Description
263230A	Thermistor for suction air temperature
	Thermistor for condense middle temperature
263230B	Thermistor for discharge pipe temperature



US	1. Please call the installing contractor of your product, as warranty service will be provided by them. 2. If you have service issues that have not been addressed by the contractor, please call 1-888-865-3026.
CANADA	Service call Number # : (888) LG Canada, (888) 542-2623

P/NO : MFL67501908

February, 2015