

This Owner's Manual is provided and hosted by [Appliance Factory Parts](#).



# LG LAN120HVP Owner's Manual

[Shop genuine replacement parts for LG LAN120HVP](#)



[Find Your LG Air Conditioner Parts - Select From 2330 Models](#)

----- Manual continues below part list -----

## Available Replacement Parts for LG LAN120HVP

<a href="#">5230A20069B</a>	Air Filter
<a href="#">6871A20921A</a>	Pcb Assembly
<a href="#">4520A30097A</a>	Link
<a href="#">6871A20363G</a>	Sub Pcb Assembly
<a href="#">4681A20042E</a>	Motor Assembly,dc,stepping
<a href="#">4681A20042G</a>	Motor Assembly,dc,stepping
<a href="#">4520A20049A</a>	Link
<a href="#">4520A20050A</a>	Link
<a href="#">4520A30098A</a>	Link



Internal Use Only

<http://biz.lgservice.com>

# Multi Air Conditioner

## SVC MANUAL(Exploded View)

MODEL : AMNW09GAF11 [LMAN097HVP]  
AMNW12GAF11 [LMAN127HVP]

### CAUTION

Before Servicing the unit, read the safety precautions in General SVC manual.  
Only for authorized service personnel.

# 1. Specification

Indoor unit type			ART COOL		
Model			AMNW09GAF11 [LMAN097HVP]	AMNW12GAF11 [LMAN127HVP]	
Power supply	Ø, V, Hz		1, 208/230, 60	1, 208/230, 60	
Cooling capacity	kW		2.64	3.28	
	Btu/h		9,000	11,200	
Heating capacity	kW		3.05	3.90	
	Btu/h		10,400	13,300	
Current Nominal running current	A		0.2	0.2	
Fan	Motor type		BLDC	BLDC	
	Fan type		Turbo fan	Turbo fan	
	Motor output x Number of unit		24 x 1	24 x 1	
	Air flow rate (H/M/L)	CMM		7.7/5.9/4.4	8.9/7.3/5.6
		l/s		128/98/73	148/122/93
	Capacitor	µF/Vac		-	-
Drive			Direct Drive	Direct Drive	
Coil	Row x column x FPI	mm	2R x 20C x 21	2R x 20C x 21	
Dimensions (WxHxD)	Body	mm(inch)	600 x 600 x 147(23.6 x 23.6 x 5.8)	600 x 600 x 147(23.6 x 23.6 x 5.8)	
Weight	Body	kg(lbs)	14.5(32.0)	14.5(32.0)	
Sound level (H/M/L)		dB(A)+3	39 / 35 / 31	42 / 38 / 34	
Piping connections	Liquid	mm(inch)	6.35(1/4)	6.35(1/4)	
	Gas	mm(inch)	9.52(3/8)	9.52(3/8)	
Dehumidification rate		l/h	1.20	1.40	
Safety devices			Fuse, Thermal Protector for Fan Motor		
Temperature sensor			Thermistor	Thermistor	
Referigerant			R410A	R410A	
Referigerant control			EEV(in Outdoor unit or BD)	EEV(in Outdoor unit or BD)	
Connectable outdoor unit			Multi F / F DX series	Multi F / F DX series	
Power and transmission interunit cable	No. x AWG		4 x 18(Including Earth)	4 x 18(Including Earth)	

## Note:

- All data are based on the following conditions:
  - Cooling Temperature : Indoor 26.7°C(80°F) DB / 19.4°C(67°F) WB  
Outdoor 35°C(95°F) DB / 23.9°C(75°F) WB
  - Heating Temperature : Indoor 21.1°C(70°F) DB / 15.6°C(60°F) WB  
Outdoor 8.33°C(47°F) DB / 6.11°C(43°F) WB
  - Piping Length : Interconnected Pipe Length = 7.5m
  - Difference Limit of Elevation (Outdoor ~ Indoor Unit) is Zero.
- Wiring cable size must comply with the applicable local and national code.
- Due to our policy of innovation some specifications may be changed without notification.
- Sound Level Values are measured at Anechoic chamber.  
Therefore, these values can be increased owing to ambient conditions during operation.

## Conversion Formula

$$\text{kW} = \text{Btu/h} \times 0.0002931$$

$$\text{CFM} = \text{CMM} \times 35.3$$

## 2. Function Table

Category	Functions	AMNW09GAF11 [LMAN097HVP] AMNW12GAF11 [LMAN127HVP]
Air flow	Air supply outlet	3
	Airflow direction control (left & right)	Auto
	Airflow direction control (up & down)	Auto
	Auto swing (left & right)	O
	Auto swing (up & down)	O
	Airflow steps (fan/cool/heat)	4 / 5 / 5
	Chaos wind(auto wind)	O
	Jet cool/heat	O / O
	Swirl wind	X
Air purifying	Triple filter (Deodorizing)	X
	Plasma air purifier	X
	Allergy Safe filter	X
	Long-life prefilter (washable / anti-fungus)	O
Installation	Drain pump	X
	E.S.P. control	X
	Electric heater	X
	High ceiling operation	X
	Auto Elevation Grille	X
Reliability	Hot start	O
	Self diagnosis	O
	Soft dry operation	O
Convenience	Auto changeover	X
	Auto cleaning	O
	Auto operation(artificial intelligence)	O
	Auto Restart	O
	Child lock*	O
	Forced operation	O
	Group control*	O
	Sleep mode	O
	Timer(on/off)	O
	Timer(weekly)*	O
	Two thermistor control*	O
Individual controller	Wired remote controller	PREMTB10U
	Deluxe wired remote controller	X
	Simple wired remote controller	PQRCVCL0Q / PQRCVCL0QW
	Simple Wired remote controller(for hotel use)	X
	Wireless remote controller	O
Network Solution	General central controller (Non LGAP)	X
	Network Solution(LGAP)	O
	Dry contact	PQDSA(1)/PQDSB(1) / PQDSBC / PQDSBNGCM1
	PI 485(for Indoor Unit)	X
Special function kit	Zone controller	X
	CTI(Communication transfer interface)	X
	Electronic thermostat	X
Others	Remote temperature sensor	X
	Group control wire	PZCWRCG3
	Telecom shelter controller	X
	Connector for water level sensor	O

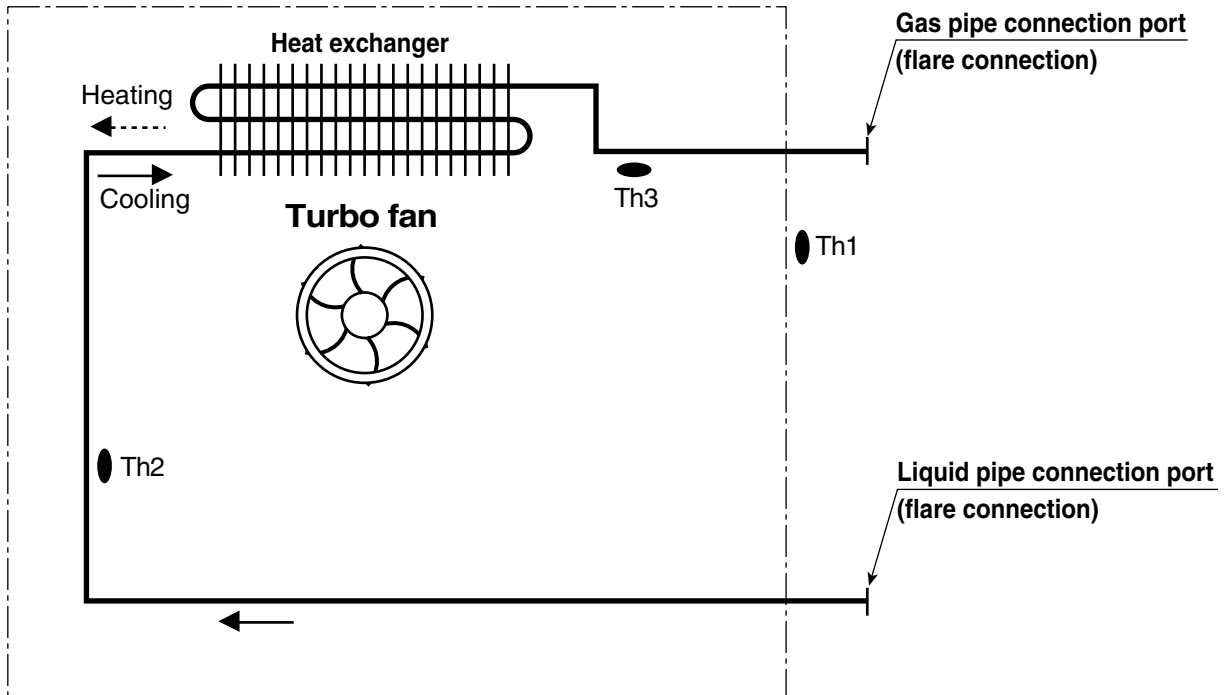
### Note

1. \* : These functions need to connect the wired remote controller.

O : Applied      X : Not applied

Accessory model name : Installed at field, ordered and purchased separately by the corresponding model name, supplied with separate package.

### 3. Piping Diagrams



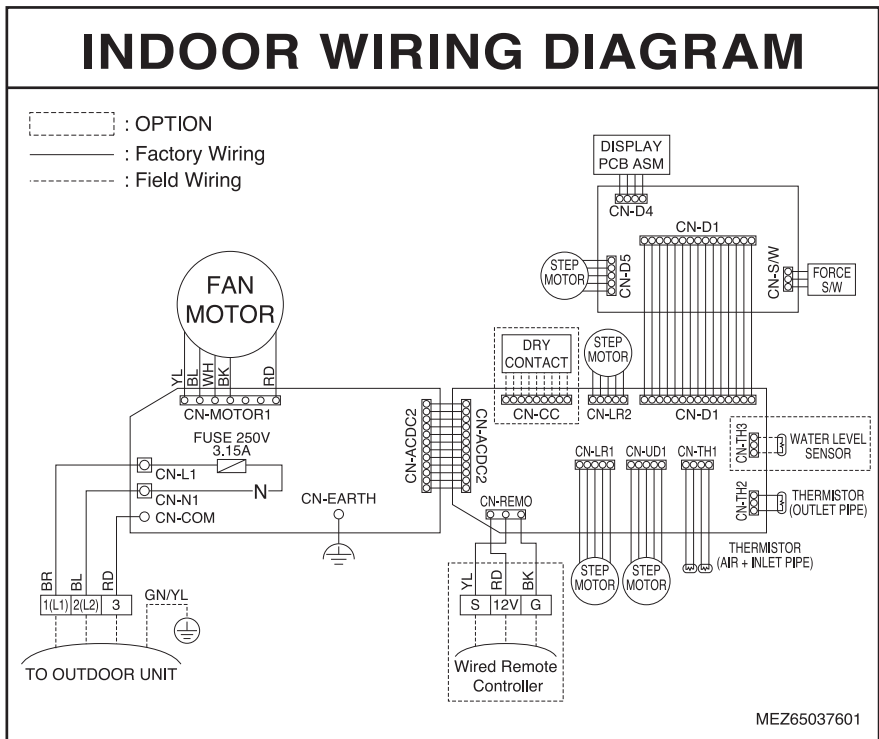
LOC.	Description	PCB Connector
Th1	Thermistor for suction air temperature	CN-TH1(Indoor)
Th2	Thermistor for evaporator inlet temperature	
Th3	Thermistor for evaporator outlet temperature	CN-TH2(Indoor)

#### ■ Refrigerant pipe connection port diameters

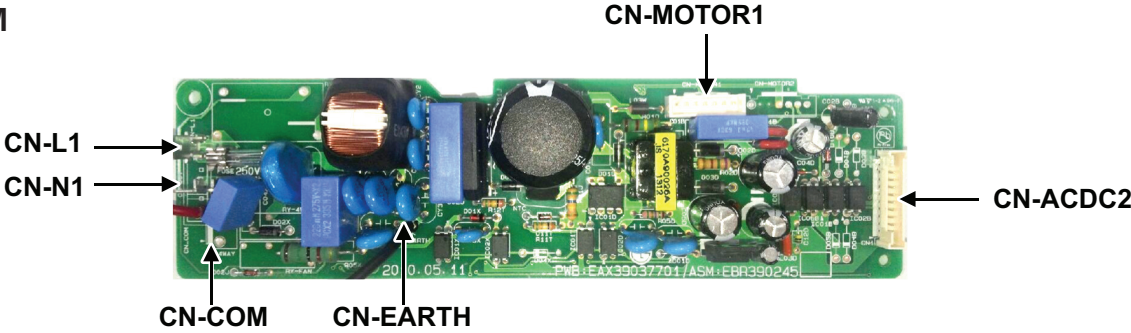
[Unit : mm]

Model	Gas	Liquid
AMNW09GAF11[LMAN097HVP] AMNW12GAF11[LMAN127HVP]	Ø9.52	Ø6.35

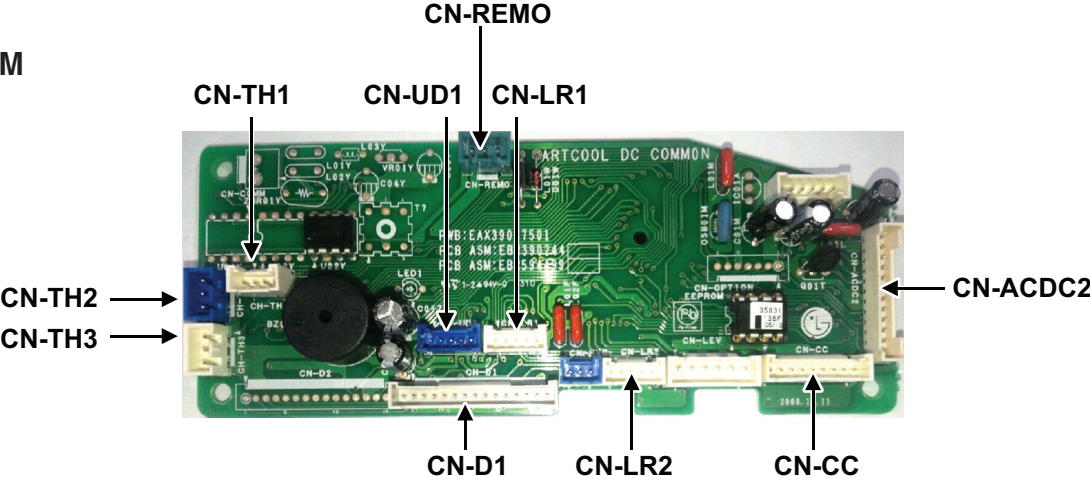
# 4. Wiring Diagrams



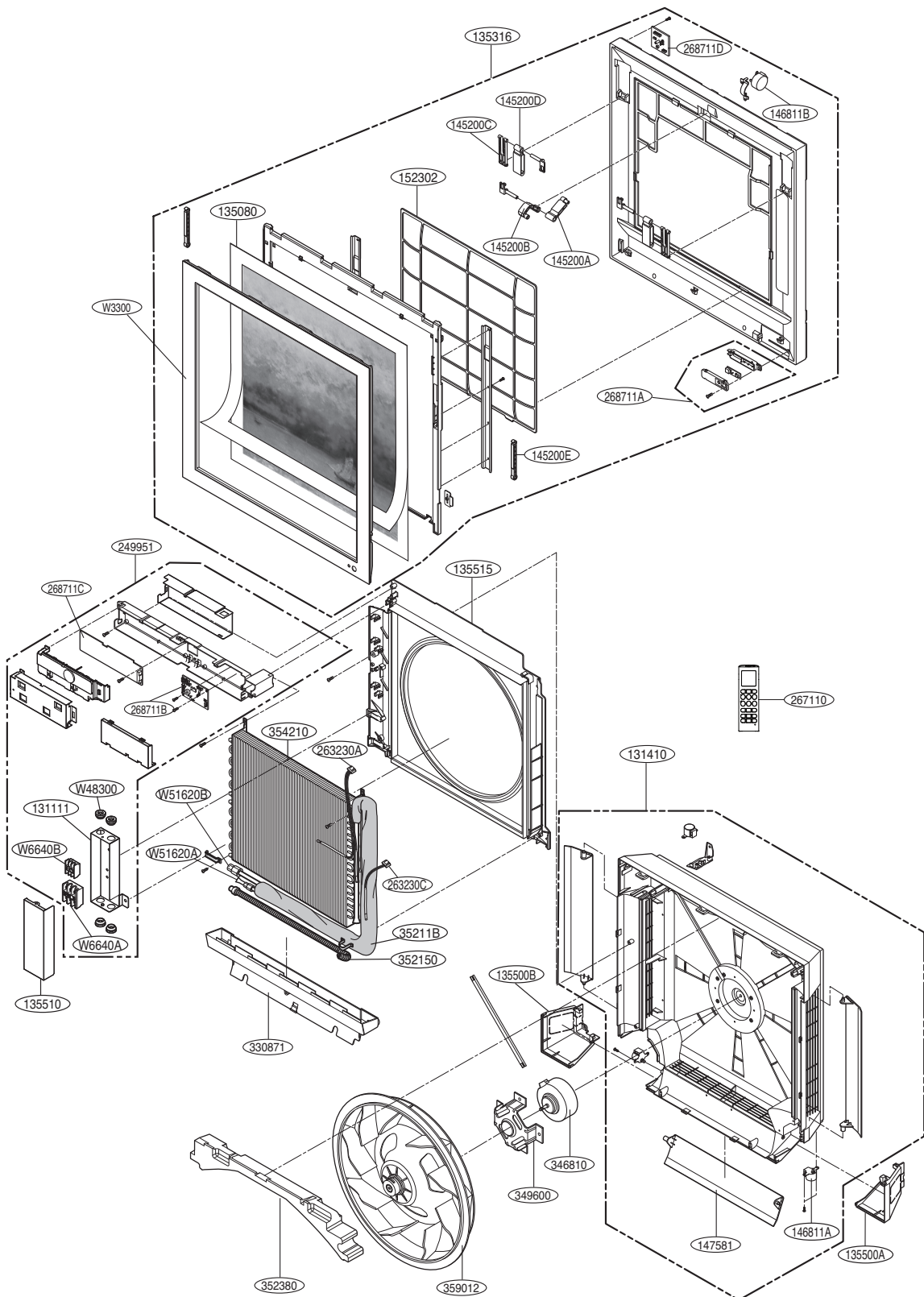
**AC ASM**



**DC ASM**



# 5. Exploded View



Note) \* Please ensure GCSC since the replacement parts may be changed depending upon the buyer's request. Please check the correct parts in View RPL(Replacement Part List) on GCSC. (GCSC Website <http://biz.lgservice.com>.)



P/NO : MFL68020001

JULY, 2013