

This Owner's Manual is provided and hosted by [Appliance Factory Parts](#).



LG LMAN097HVP Owner's Manual

[Shop genuine replacement parts for LG LMAN097HVP](#)



[Find Your LG Air Conditioner Parts - Select From 2330 Models](#)

----- Manual continues below part list -----

Available Replacement Parts for LG LMAN097HVP

| | |
|-----------------------------|----------------------------|
| 5230A20069B | Air Filter |
| 6871A20921A | Pcb Assembly |
| 4520A30097A | Link |
| 6871A20363G | Sub Pcb Assembly |
| 4681A20042E | Motor Assembly,dc,stepping |
| 4681A20042G | Motor Assembly,dc,stepping |
| 4520A20049A | Link |
| 4520A20050A | Link |
| 4520A30098A | Link |



Internal Use Only

<http://biz.lgservice.com>

Multi Air Conditioner

SVC MANUAL(Exploded View)

MODEL : AMNW09GAF11 [LMAN097HVP]
AMNW12GAF11 [LMAN127HVP]

CAUTION

Before Servicing the unit, read the safety precautions in General SVC manual.
Only for authorized service personnel.

1. Specification

| Indoor unit type | | | ART COOL | | |
|--|-------------------------------|----------|---------------------------------------|------------------------------------|-------------|
| Model | | | AMNW09GAF11 [LMAN097HVP] | AMNW12GAF11 [LMAN127HVP] | |
| Power supply | Ø, V, Hz | | 1, 208/230, 60 | 1, 208/230, 60 | |
| Cooling capacity | kW | | 2.64 | 3.28 | |
| | Btu/h | | 9,000 | 11,200 | |
| Heating capacity | kW | | 3.05 | 3.90 | |
| | Btu/h | | 10,400 | 13,300 | |
| Current Nominal running current | A | | 0.2 | 0.2 | |
| Fan | Motor type | | BLDC | BLDC | |
| | Fan type | | Turbo fan | Turbo fan | |
| | Motor output x Number of unit | | 24 x 1 | 24 x 1 | |
| | Air flow rate (H/M/L) | CMM | | 7.7/5.9/4.4 | 8.9/7.3/5.6 |
| | | l/s | | 128/98/73 | 148/122/93 |
| | Capacitor | µF/Vac | | - | - |
| Drive | | | Direct Drive | Direct Drive | |
| Coil | Row x column x FPI | mm | 2R x 20C x 21 | 2R x 20C x 21 | |
| Dimensions (WxHxD) | Body | mm(inch) | 600 x 600 x 147(23.6 x 23.6 x 5.8) | 600 x 600 x 147(23.6 x 23.6 x 5.8) | |
| Weight | Body | kg(lbs) | 14.5(32.0) | 14.5(32.0) | |
| Sound level (H/M/L) | | dB(A)+3 | 39 / 35 / 31 | 42 / 38 / 34 | |
| Piping connections | Liquid | mm(inch) | 6.35(1/4) | 6.35(1/4) | |
| | Gas | mm(inch) | 9.52(3/8) | 9.52(3/8) | |
| Dehumidification rate | | l/h | 1.20 | 1.40 | |
| Safety devices | | | Fuse, Thermal Protector for Fan Motor | | |
| Temperature sensor | | | Thermistor | Thermistor | |
| Referigerant | | | R410A | R410A | |
| Referigerant control | | | EEV(in Outdoor unit or BD) | EEV(in Outdoor unit or BD) | |
| Connectable outdoor unit | | | Multi F / F DX series | Multi F / F DX series | |
| Power and transmission interunit cable | No. x AWG | | 4 x 18(Including Earth) | 4 x 18(Including Earth) | |

Note:

- All data are based on the following conditions:
 - Cooling Temperature : Indoor 26.7°C(80°F) DB / 19.4°C(67°F) WB
Outdoor 35°C(95°F) DB / 23.9°C(75°F) WB
 - Heating Temperature : Indoor 21.1°C(70°F) DB / 15.6°C(60°F) WB
Outdoor 8.33°C(47°F) DB / 6.11°C(43°F) WB
 - Piping Length : Interconnected Pipe Length = 7.5m
 - Difference Limit of Elevation (Outdoor ~ Indoor Unit) is Zero.
- Wiring cable size must comply with the applicable local and national code.
- Due to our policy of innovation some specifications may be changed without notification.
- Sound Level Values are measured at Anechoic chamber.
Therefore, these values can be increased owing to ambient conditions during operation.

Conversion Formula

$$\text{kW} = \text{Btu/h} \times 0.0002931$$

$$\text{CFM} = \text{CMM} \times 35.3$$

2. Function Table

| Category | Functions | AMNW09GAF11 [LMAN097HVP] AMNW12GAF11 [LMAN127HVP] |
|-----------------------|---|--|
| Air flow | Air supply outlet | 3 |
| | Airflow direction control (left & right) | Auto |
| | Airflow direction control (up & down) | Auto |
| | Auto swing (left & right) | O |
| | Auto swing (up & down) | O |
| | Airflow steps (fan/cool/heat) | 4 / 5 / 5 |
| | Chaos wind(auto wind) | O |
| | Jet cool/heat | O / O |
| | Swirl wind | X |
| Air purifying | Triple filter (Deodorizing) | X |
| | Plasma air purifier | X |
| | Allergy Safe filter | X |
| | Long-life prefilter (washable / anti-fungus) | O |
| Installation | Drain pump | X |
| | E.S.P. control | X |
| | Electric heater | X |
| | High ceiling operation | X |
| | Auto Elevation Grille | X |
| Reliability | Hot start | O |
| | Self diagnosis | O |
| | Soft dry operation | O |
| Convenience | Auto changeover | X |
| | Auto cleaning | O |
| | Auto operation(artificial intelligence) | O |
| | Auto Restart | O |
| | Child lock* | O |
| | Forced operation | O |
| | Group control* | O |
| | Sleep mode | O |
| | Timer(on/off) | O |
| | Timer(weekly)* | O |
| | Two thermistor control* | O |
| Individual controller | Wired remote controller | PREMTB10U |
| | Deluxe wired remote controller | X |
| | Simple wired remote controller | PQRCVCL0Q / PQRCVCL0QW |
| | Simple Wired remote controller(for hotel use) | X |
| | Wireless remote controller | O |
| Network Solution | General central controller (Non LGAP) | X |
| | Network Solution(LGAP) | O |
| | Dry contact | PQDSA(1)/PQDSB(1) / PQDSBC / PQDSBNGCM1 |
| | PI 485(for Indoor Unit) | X |
| Special function kit | Zone controller | X |
| | CTI(Communication transfer interface) | X |
| | Electronic thermostat | X |
| Others | Remote temperature sensor | X |
| | Group control wire | PZCWRCG3 |
| | Telecom shelter controller | X |
| | Connector for water level sensor | O |

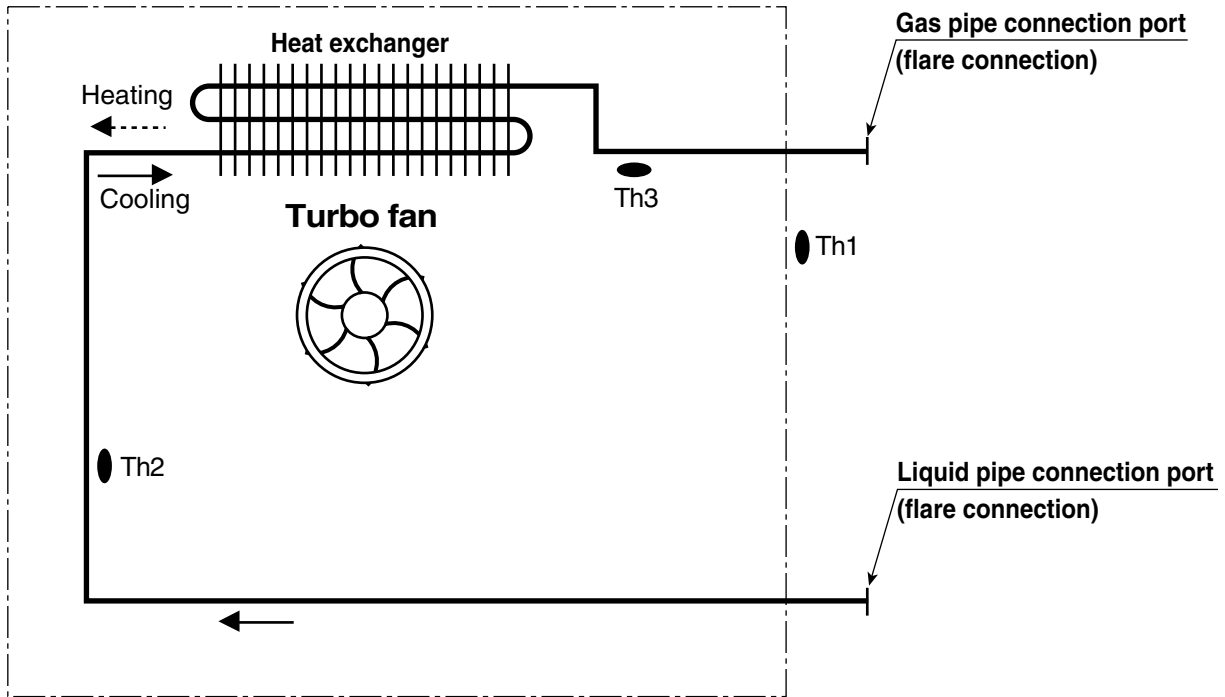
Note

1. * : These functions need to connect the wired remote controller.

O : Applied X : Not applied

Accessory model name : Installed at field, ordered and purchased separately by the corresponding model name, supplied with separate package.

3. Piping Diagrams



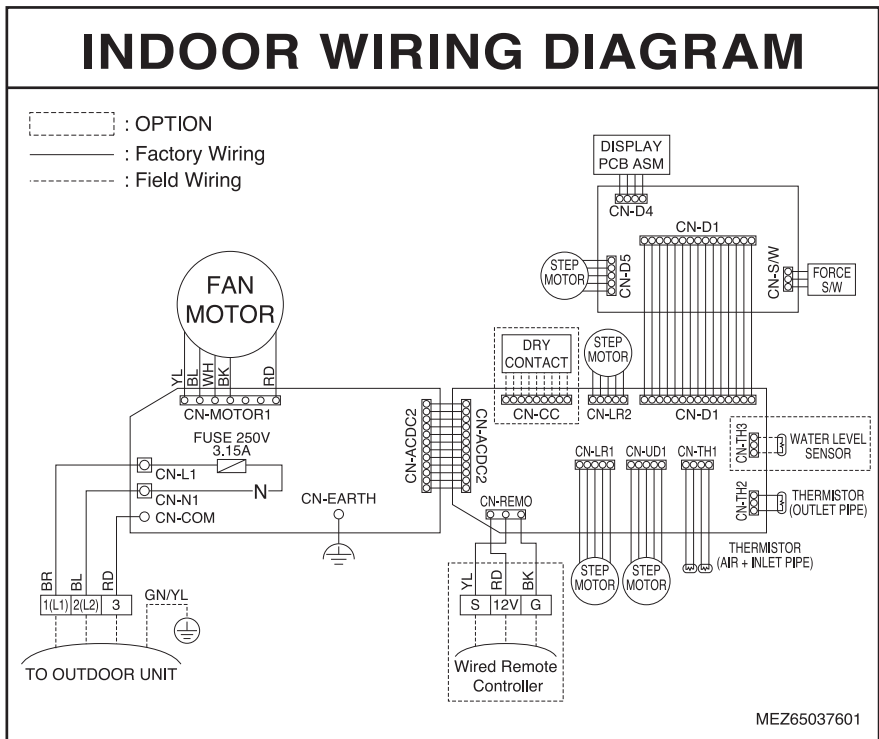
| LOC. | Description | PCB Connector |
|------|--|----------------|
| Th1 | Thermistor for suction air temperature | CN-TH1(Indoor) |
| Th2 | Thermistor for evaporator inlet temperature | |
| Th3 | Thermistor for evaporator outlet temperature | CN-TH2(Indoor) |

■ Refrigerant pipe connection port diameters

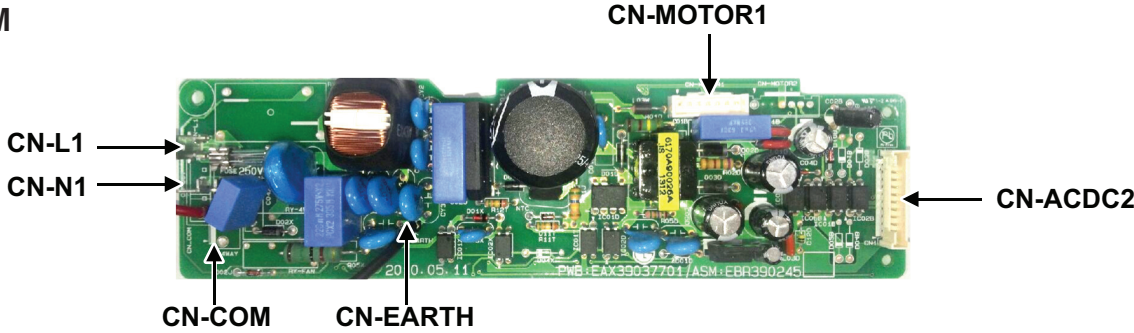
[Unit : mm]

| Model | Gas | Liquid |
|--|-------|--------|
| AMNW09GAF11[LMAN097HVP] AMNW12GAF11[LMAN127HVP] | Ø9.52 | Ø6.35 |

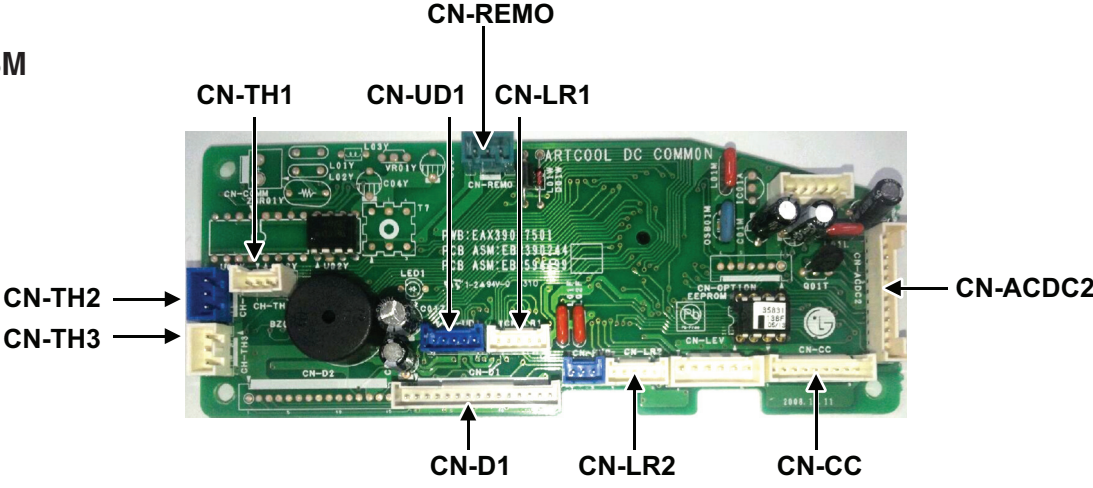
4. Wiring Diagrams



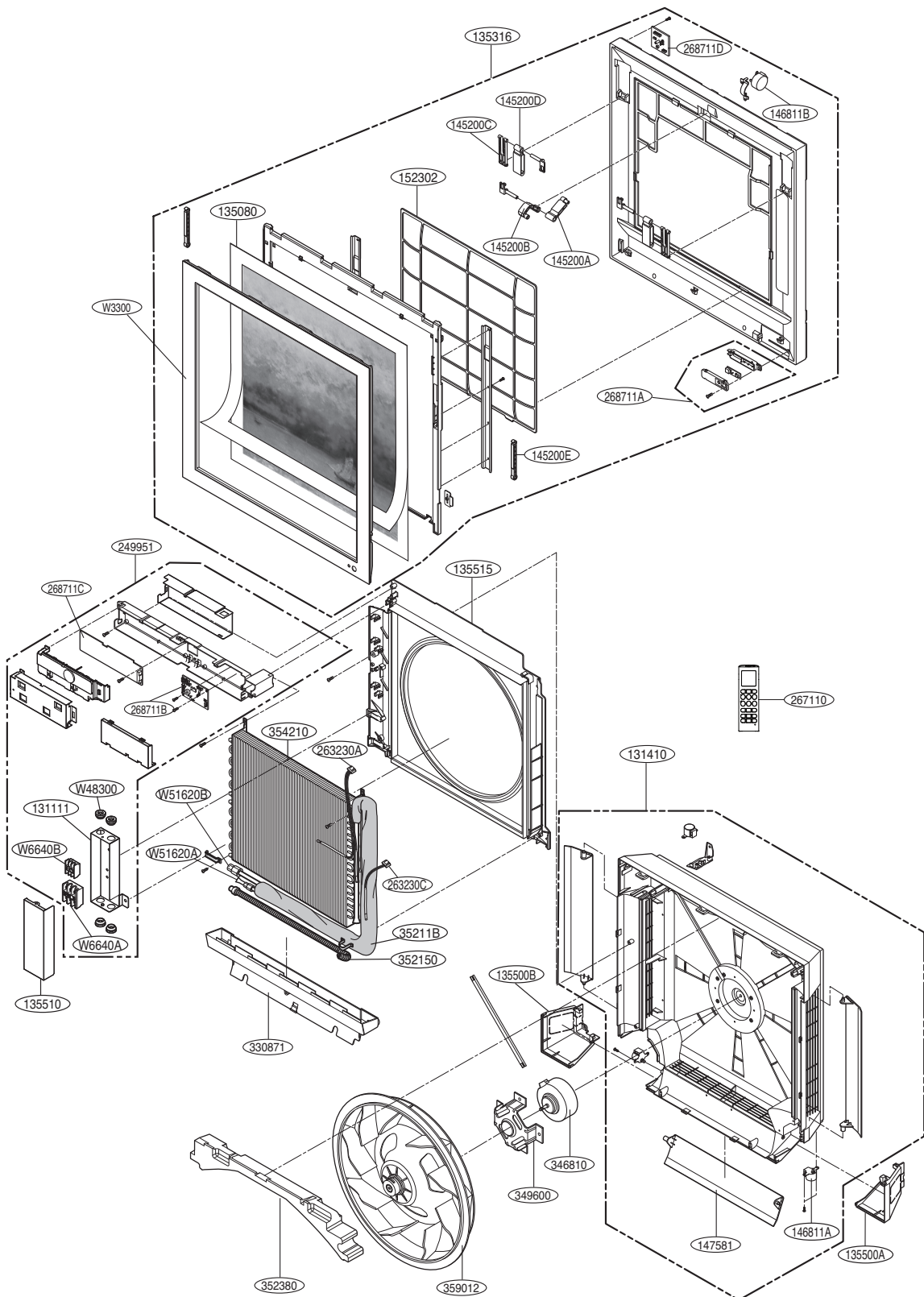
AC ASM



DC ASM



5. Exploded View



Note) * Please ensure GCSC since the replacement parts may be changed depending upon the buyer's request. Please check the correct parts in View RPL(Replacement Part List) on GCSC. (GCSC Website <http://biz.lgservice.com>,)



P/NO : MFL68020001

JULY, 2013