



Internal Use Only

<http://www.lge.com>

Wall Mounted Air Conditioner **SVC MANUAL(Exploded View)**

**MODEL : AMNW18GDCL1 [LMN187HVT]
AMNW24GDCL1 [LMN247HVT]**

CAUTION

Before Servicing the unit, read the safety precautions in General SVC manual.
Only for authorized service personnel.

1. Specification

Indoor

Model			AMNW18GDCL1 [LMN187HVT]	AMNW24GDCL1 [LMN247HVT]
Power Supply		Ø, V, Hz	1, 208/230, 60	1, 208/230, 60
Capacity(*)		Btu/h Class	18,000	24,000
Current	Running Current	A	0.3	0.3
Fan	Motor Type		BLDC	BLDC
	Fan Type		Cross Flow Fan	Cross Flow Fan
	Motor Output(W) x No. of Unit		20x1	76.1x1
	Air Flow Rate (H / M / L)	CMM	16.2 / 14.2 / 12.3	20.4 / 17.0 / 13.2
		CFM	572 / 501 / 434	720 / 600 / 466
	External Static Pressure	mmAq	-	-
	Capacitor	µF / Vac	-	-
	Drive		Direct Drive	Direct Drive
Coil	Row x Column x FPI		3R x 18C x 22	3R x 18C x 22
Dimensions (W x H x D)	Body	mm	1030 x 325 x 250	1030 x 325 x 250
		inch	40-9/16 x 12-25/32 x 9-27/32	40-9/16 x 12-25/32 x 9-27/32
	Decorative Panel	mm	-	-
		inch	-	-
Net Weight	Body	kg (lbs)	13.8(30.4)	13.8(30.4)
	Decorative Panel	kg (lbs)	-	-
Air Filter			Long Life Filter	Long Life Filter
Sound Level (H / M / L)		dB(A)+3	37 / 33 / 28	42 / 39 / 36
Piping	Liquid	mm (inch)	6.35 (1/4)	6.35 (1/4)
Connections	Gas	mm (inch)	12.7 (1/2)	12.7 (1/2)
	Drain(OD/ID)	mm (inch)	21.5/16 (0.846/0.630)	21.5/16 (0.846/0.630)
Dehumidification Rate		l/h	1.9	1.9
Safety Devices			Fuse, Thermal Protector for Fan Motor	Fuse, Thermal Protector for Fan Motor
Temperature Sensor			Thermistor	Thermistor
Refrigerant			R410A	R410A
Refrigerant Control			EEV(in Outdoor unit or BD)	EEV(in Outdoor unit or BD)
Transmission Interunit Cable		No. x AWG	4x18(including earth)	4x18(including earth)

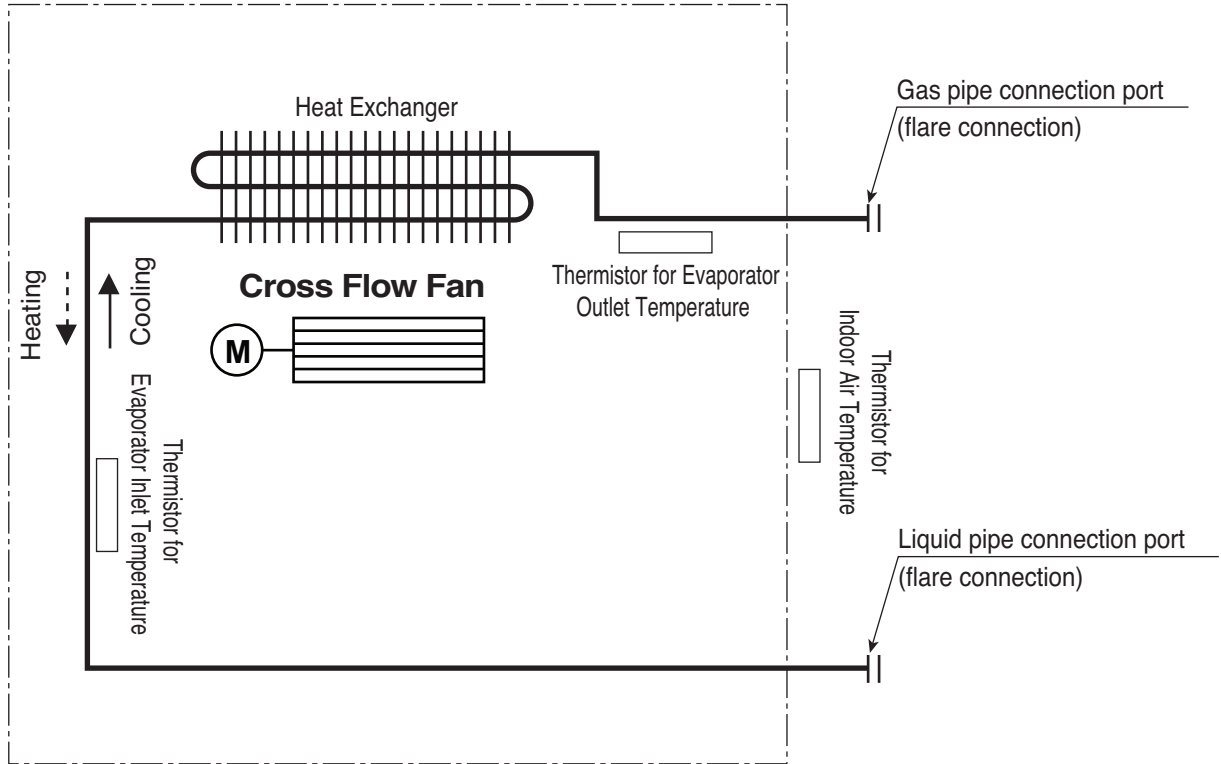
Note:

- Capacities are based on the following conditions:
 - Cooling: - Indoor Temperature 27°C(80.6°F) DB/19°C(66.2°F) WB
 - Outdoor Temperature 35°C(95°F) DB/24°C(75.2°F) WB
 - Heating: - Indoor Temperature 20°C(68°F) DB/15°C(59°F) WB
 - Outdoor Temperature 7°C(44.6°F) DB/6°C(42.8°F) WB
 - Piping Length - Interconnecting Piping Length 7.5m
 - Level Difference of Zero
- Wiring cable size must comply with the applicable local and national code.
- The specification may be subject to change without prior notice for purpose of improvement.

Conversion Formula
kW = Btu/h x 0.0002931
cfm = CMM x 35.3

2. Piping Diagrams

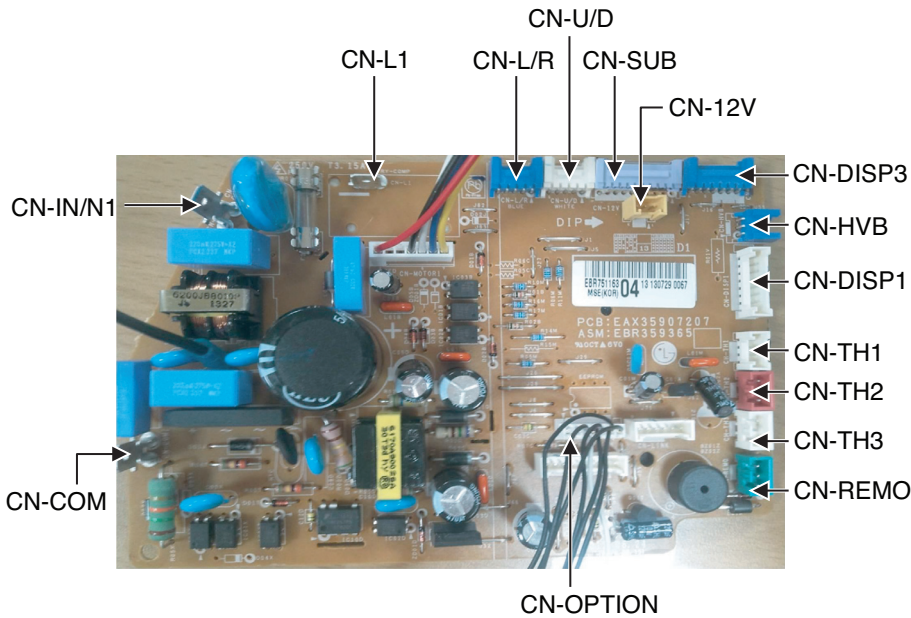
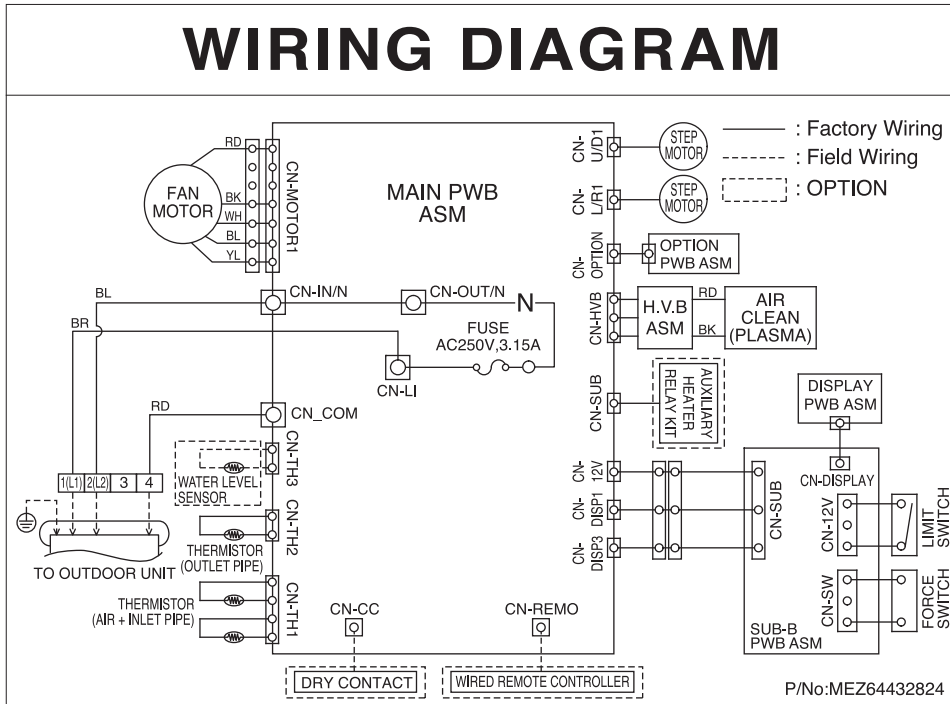
Indoor



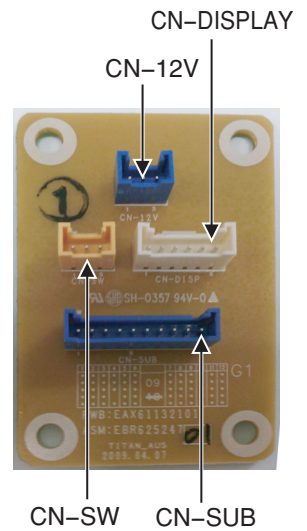
Description	PCB Connector
Thermistor for Indoor Air Temperature	CN-TH1
Thermistor for Evaporator Inlet Temperature	
Thermistor for Evaporator Outlet Temperature	CN-TH2

3. Wiring Diagrams

Indoor Unit

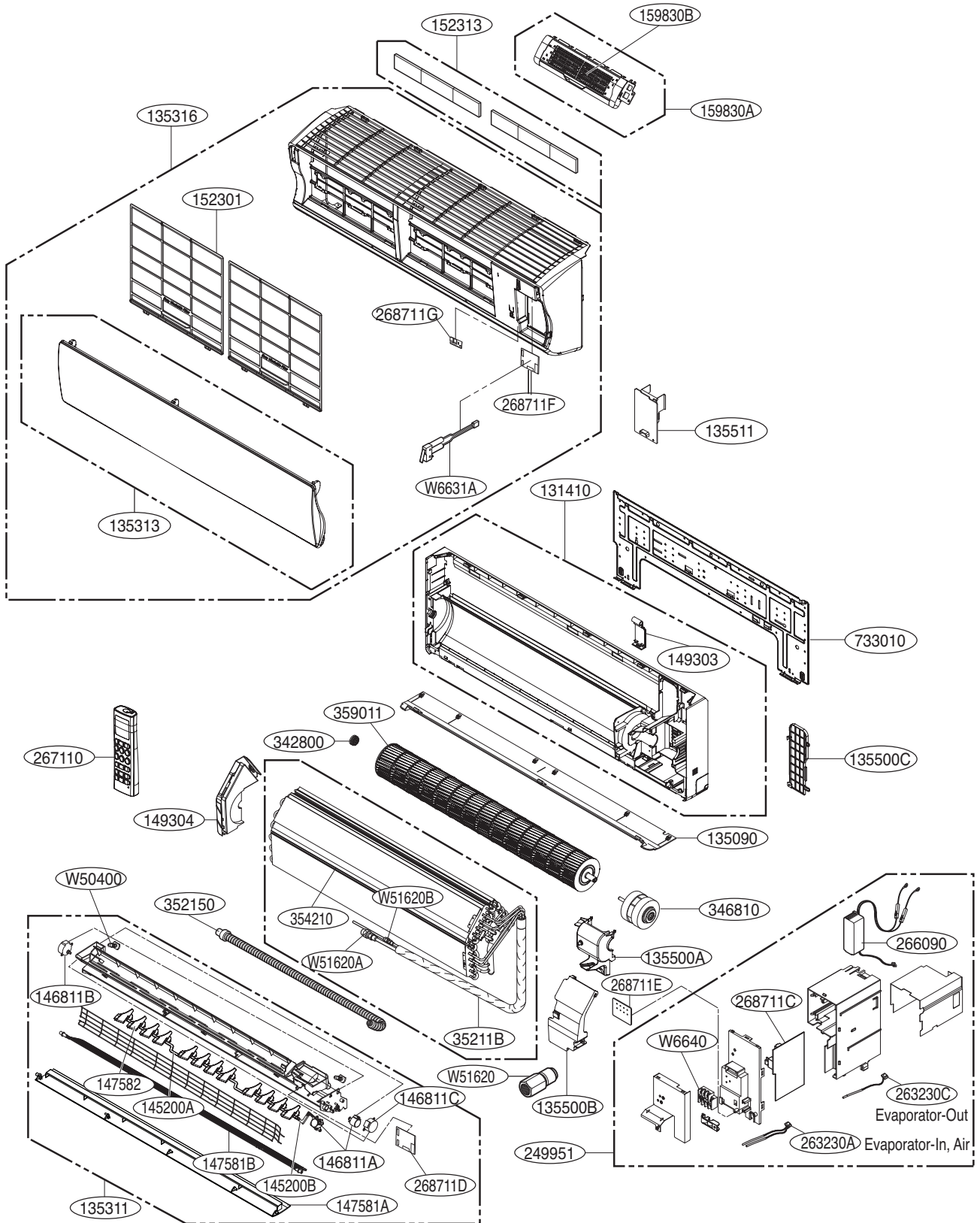


Main PCB



Sub PCB

4. Exploded View



Note) * Please ensure GCSC since the replacement parts may be changed depending upon the buyer's request.
Please check the correct parts in View RPL(Replacement Part List) on GCSC.
(GCSC Website <http://www.lge.com>)



P/NO : MFL67482723

MAY, 2014