

This Owner's Manual is provided and hosted by [Appliance Factory Parts](#).



# LG LSN181HSV2 Owner's Manual

[Shop genuine replacement parts for LG LSN181HSV2](#)



[Find Your LG Air Conditioner Parts - Select From 2330 Models](#)

----- Manual continues below part list -----

## Available Replacement Parts for LG LSN181HSV2

|                             |                            |
|-----------------------------|----------------------------|
| <a href="#">4280A20004M</a> | Bearing                    |
| <a href="#">6871A20259D</a> | Sub Pcb Assembly           |
| <a href="#">4681A20042E</a> | Motor Assembly,dc,stepping |
| <a href="#">EBG61107008</a> | Ntc Thermistor Assembly    |
| <a href="#">EBG60787304</a> | Thermistor Assembly        |
| <a href="#">EAU62004010</a> | Motor Assembly,dc,indoor   |
| <a href="#">ADL72918701</a> | First Evaporator Assembly  |
| <a href="#">ADP67778501</a> | Cross Flow Fan Assembly    |
| <a href="#">MDJ61848401</a> | Deodorizing Filter         |
| <a href="#">EBG61110706</a> | Ntc Thermistor Assembly    |
| <a href="#">EBR35936513</a> | Main Pcb Assembly          |
| <a href="#">4681AP2968S</a> | Motor Assembly,dc,stepping |
| <a href="#">AKB74375403</a> | Remote Control             |



Internal Use Only

<http://biz.lgservice.com>

# Room Air Conditioner

## SVC MANUAL(Exploded View)

**MODEL : AS-W183CRM9(LAN180HSV2/LAU180HSV2)  
AS-W243CRM9(LAN240HSV2/LAU240HSV2)  
AS-W183C2Y9(LSN181HSV2/LSU181HSV2)**

### **CAUTION**

Before Servicing the unit, read the safety precautions in General SVC manual.  
Only for authorized service personnel.

# Product Specifications

| Models   |                                       | Unit                     | AS-W183CRM9                                  | AS-W243CRM9               | AS-W183C2Y9                   |           |
|--|---------------------------------------|--------------------------|--|---------------------------|-------------------------------|-----------|
| Cooling Capacity                                 |                                       | kW                       | 0.90~5.33~8.65                               | 0.90 ~ 6.45 ~ 8.80        | 0.90~5.33~8.65                |           |
|  |                                       | Btu/h.                   | 3,070~18,200~29,515                          | 3,070~22,000~30,030       | 3,070~18,200~29,515           |           |
| Heating Capacity                                 |                                       | kW                       | 0.90~6.45~11.40                              | 0.90 ~ 8.09 ~ 11.40       | 0.90~6.45~11.40               |           |
|  |                                       | Btu/h.                   | 3,070~22,000~38,898                          | 3,070~27,600~38,898       | 3,070~22,000~38,898           |           |
| Power Input                                      | Cooling/Heating                       | W                        | 1,447 / 1,760                                | 2,040 / 2,670             | 1,447 / 1,760                 |           |
| Running Current                                  | Cooling/Heating                       | A                        | 6.3/8.2                                      | 7.9 / 10.7                | 6.3/8.2                       |           |
| Starting Current                                 | Cooling/Heating                       | A                        | 6.3/8.2                                      | 7.9 / 10.7                | 6.3/8.2                       |           |
| EER  |                                       | W/W                      | 3.69   | 3.16                      | 3.69                          |           |
|  |                                       | Btu/h.W                  | 12.6   | 10.8                      | 12.6                          |           |
| SEER   |                                       |                          | 20.5   | 20                        | 20.5                          |           |
| HSPF   |                                       |                          | 9.7  | 10                        | 9.7                           |           |
| Power Supply                                     |                                       | Ø / V / Hz               | 1/208-230/60                                 | 1/208-230/60              | 1/208-230/60                  |           |
| Power Factor                                     |                                       | %                        | 98.2   | 98.2                      | 98.2                          |           |
| Air Flow Rate                                    | Indoor,Max                            | m <sup>3</sup> /min(CFM) | 20.8(735)                                    | 20.8(735)                 | 20.8(735)                     |           |
|  | Outdoor,Max                           | m <sup>3</sup> /min(CFM) | 60(2,119)                                    | 60(2,119)                 | 60(2,119)                     |           |
| Moisture Removal                                 |                                       | l/h.                     | 2.6  | 2.6                       | 2.6                           |           |
| Sound Level                                      | Indoor,H/M/L                          | dB(A)±3                  | 45/40/35                                     | 45/40/35                  | 45/40/35                      |           |
|  | Outdoor,Max                           | dB(A)±3                  | 53   | 53                        | 53                            |           |
| Refrigerant & Charge (at 7.5 m)                  |                                       | g(oz)                    | R410A, 1,800(63.5)                           | R410A, 1,800(63.5)        | R410A, 1,800(63.5)            |           |
| Additional Refrigerant charge                    |                                       | g/m(oz/ft)               | 35(0.38)                                     | 35(0.38)                  | 35(0.38)                      |           |
| Compressor                                       | Type                                  |                          | Twin Rotary                                  | Twin Rotary               | Twin Rotary                   |           |
|  | Model                                 |                          | GJT240DAA                                    | GJT240DAA                 | GJT240DAA                     |           |
|  | Motor Type                            |                          | Brushless DC Motor                           | Brushless DC Motor        | Brushless DC Motor            |           |
|  | Oil Type                              |                          | PVE(FVD68C)                                  | PVE(FVD68C)               | PVE(FVD68C)                   |           |
|  | Oil Charge                            | cc                       | 900  | 900                       | 900                           |           |
|  | O.L.P. name                           |                          | -  | -                         | -                             |           |
| Fan(Indoor)                                      | Type                                  |                          | Cross Flow Fan                               | Cross Flow Fan            | Cross Flow Fan                |           |
|  | Motor Output                          | W                        | 76.1   | 76.1                      | 76.1                          |           |
| Fan(Outdoor)                                     | Type                                  |                          | Propeller                                    | Propeller                 | Propeller                     |           |
|  | Motor Type                            |                          | BLDC   | BLDC                      | BLDC                          |           |
|  | Motor Output                          | W                        | 124  | 124                       | 124                           |           |
| Circuit Breaker*                                 |                                       | A                        | 25   | 25                        | 25                            |           |
| Power Supply Cable                               |                                       | No.*mm <sup>2</sup>      | 3*2.5  | 3*2.5                     | 3*2.5                         |           |
| Power and Transmission Cable No.*mm <sup>2</sup> |                                       | No.*mm <sup>2</sup>      | 4*0.75 (Including Earth)                     | 4*0.75 (Including Earth)  | 4*1.0 (Including Earth)       |           |
| Piping Connections                               | Liquid Side                           | mm(in)                   | 9.52(3/8)                                    | 9.52(3/8)                 | 9.52(3/8)                     |           |
|  | Gas Side                              | mm(in)                   | 15.88(5/8)                                   | 15.88(5/8)                | 15.88(5/8)                    |           |
| Drain Hose(O.D / I.D.)                           |                                       | mm(in)                   | 21.5 / 16.0 (0.85 / 0.63)                    | 21.5 / 16.0 (0.85 / 0.63) | 21.5 / 16.0 (0.85 / 0.63)     |           |
| Dimensions                                       | Indoor (W*H*D)                        | mm                       | 1,030*325*245                                | 1,030*325*245             | 1,030*325*245                 |           |
|  |                                       | inch                     | 40.6*12.8*9.64                               | 40.6*12.8*9.64            | 40.6*12.8*9.64                |           |
|  | Outdoor (W*H*D)                       | mm                       | 870*800*320                                  | 870*800*320               | 870*800*320                   |           |
|  |                                       | inch                     | 34.3*31.5*12.6                               | 34.3*31.5*12.6            | 34.3*31.5*12.6                |           |
| Net Weight                                       | Indoor                                | kg(lbs)                  | 17(37.5)                                     | 17(37.5)                  | 14(30.86)                     |           |
|  | Outdoor                               | kg(lbs)                  | 60(132.3)                                    | 60(132.3)                 | 60(132.3)                     |           |
| Operation Range                                  | Cooling(Outdoor)                      | °C                       | -10~48(14.0~118.4)                           | -10~48(14.0~118.4)        | -10(-18)*~48(14.0(0))*~118.4) |           |
|  | Heating(Outdoor)                      | °C                       | -10~24(5~75.2)                               | -10~24(5~75.2)            | -10~24(5~75.2)                |           |
| Piping Length (Min/Max)                          |                                       | m(ft)                    | 30(98.4)                                     | 30(98.4)                  | 30(98.4)                      |           |
| Chargeless                                       |                                       | m(ft)                    | -  | -                         | -                             |           |
| Max. Elevation Difference                        |                                       | m(ft)                    | 15(49.2)                                     | 15(49.2)                  | 15(49.2)                      |           |
| Tool Code(Chassis)                               | Indoor + Outdoor                      |                          | SC_A + UE1Plus                               | SC_A + UE1Plus            | SC + UE1Plus                  |           |
| Functions  | Temperature Control                   |                          | O  | O                         | O                             |           |
|  | Plasma Filter                         |                          | O  | O                         | O                             |           |
|  | Prefilter(washable/anti-fungus)       |                          | O  | O                         | O                             |           |
|  | Auto Clean                            |                          | O  | O                         | O                             |           |
|  | Auto Swing                            |                          | O  | O                         | O                             |           |
|  | Steps, Fan/Cool/Heat                  |                          | 5/6/6  | 5/6/6                     | 5/6/6                         |           |
|  | Airflow Direction Control(up&down)    |                          | Auto   | Auto                      | Auto                          |           |
|  | Airflow Direction Control(left&right) |                          | Auto   | Auto                      | Auto                          |           |
|  | Remote Controller Type                |                          | Standard Wired Remocon, Wireless LCD(Better) |                           |                               |           |
|  | Setting Temperature Range             | Cooling                  |  | 18°C~30°C                 | 18°C~30°C                     | 18°C~30°C |
|  |                                       | Heating                  |  | 16°C~30°C                 | 16°C~30°C                     | 16°C~30°C |
|  | Auto Operation (Micom Control)        |                          | O  | O                         | O                             |           |
|  | Auto Changeover (Micom Control)       |                          | O  | O                         | O                             |           |
|  | Self Diagnosis                        |                          | O  | O                         | O                             |           |
|  | Timer                                 |                          | 24h On/Off                                   | 24h On/Off                | 24h On/Off                    |           |
|  | Sleep Operation                       |                          | O  | O                         | O                             |           |
|  | Soft Dry Operation                    |                          | O  | O                         | O                             |           |
|  | Restart Delay(minute)                 |                          | 3  | 3                         | 3                             |           |
|  | Device Control(Defrost)               |                          | O  | O                         | O                             |           |
|  | Hot Start                             |                          | O  | O                         | O                             |           |
|  | Jet Cool, Jet Heat                    |                          | O  | O                         | O                             |           |
|  | Low Ambient Operation                 |                          | O  | O                         | O                             |           |
|  | Special Function                      |                          | WATER LEVEL SENSOR(OPTIONAL)                 |                           |                               |           |
|  | Network Functions                     | Dry Contact              |  | O                         | O                             | O         |
|  |                                       | Network Solution(LGAP)   |  | O                         | O                             | O         |
|  |                                       | PI485                    |  | O                         | O                             | O         |

**Note:**

O : Applied, - : No relation

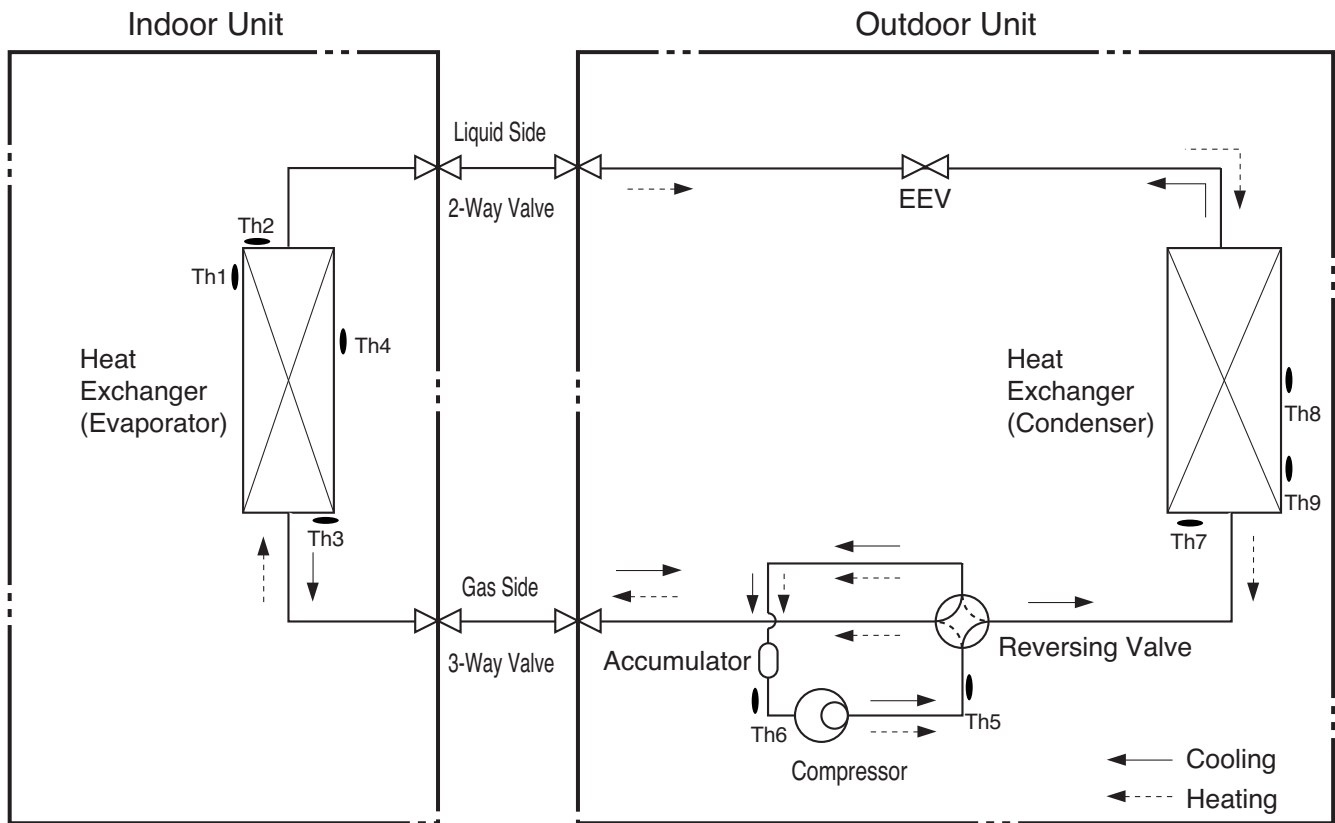
\* Some of functions are slightly different depending upon models.

\* For circuit breaker rating, please conform to local standards wherever necessary.

\* The specification may be subject to change without notice for purpose of improvement.

★ With wind baffle accessory installed.Without wind baffle installed, the minimum temperature will be 14°F D.B.

## 2. Piping Diagrams



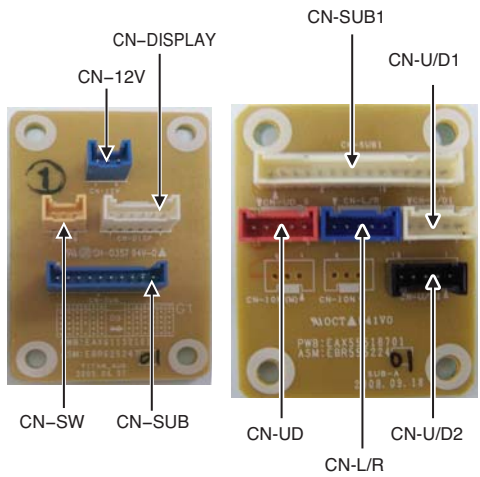
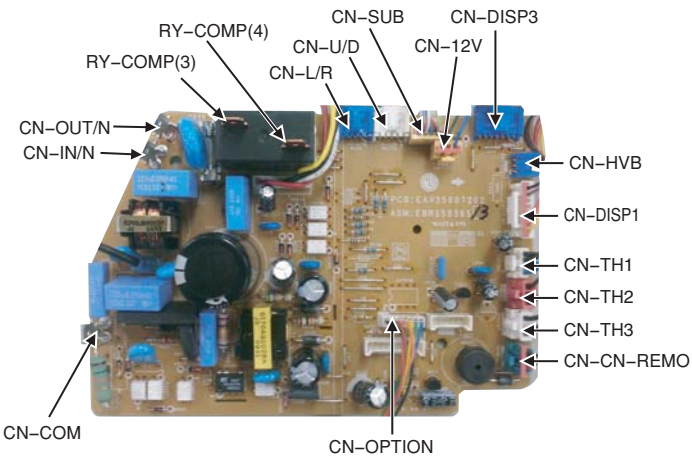
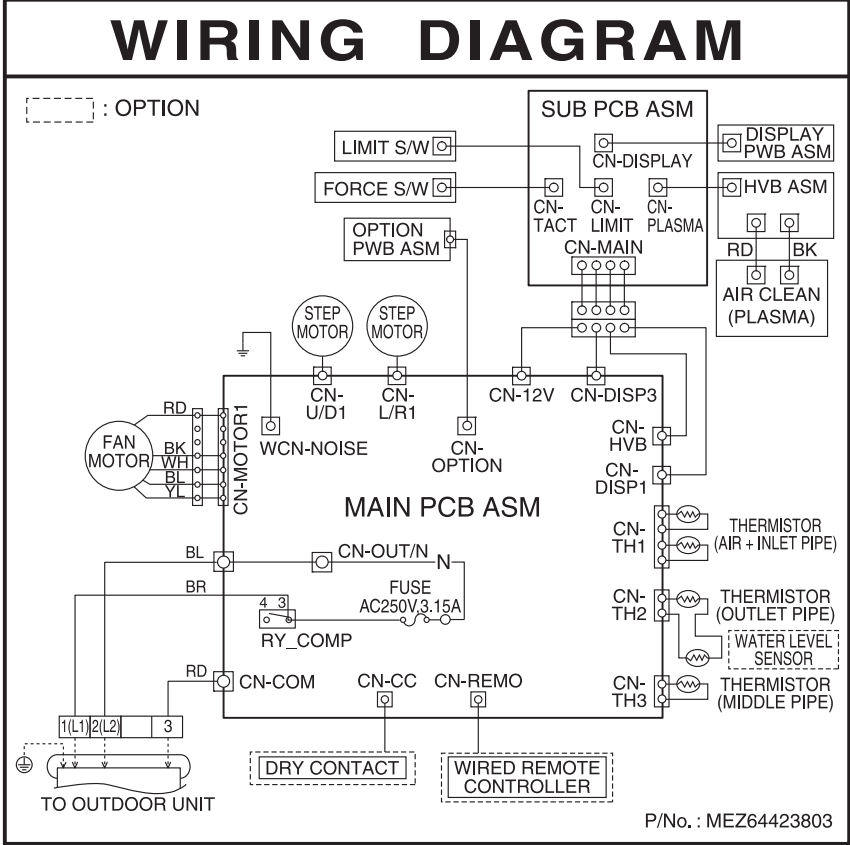
| LOC. | Description   | PCB Connector   |
|------|---|-----------------|
| Th1  | Thermistor for suction air temperature                            | CN-TH1(Indoor)  |
| Th2  | Thermistor for evaporator inlet temperature                       |                 |
| Th3  | Thermistor for evaporator outlet temperature + Water level sensor |                 |
| Th4  | Thermistor for evaporator middle temperature                      | CN-TH3(Indoor)  |
| Th5  | Thermistor for discharge pipe temperature                         | CN-TH3(OUTDOOR) |
| Th6  | Thermistor for suction pipe temperature                           |                 |
| Th7  | Thermistor for condensing temperature                             | CN-TH2(OUTDOOR) |
| Th8  | Thermistor for outdoor air temperature                            |                 |
| Th9  | Thermistor for condensing middle temperature                      | CN-TH4(OUTDOOR) |

※ EEV : Electronic Expansion Valve

# 3. Wiring Diagrams

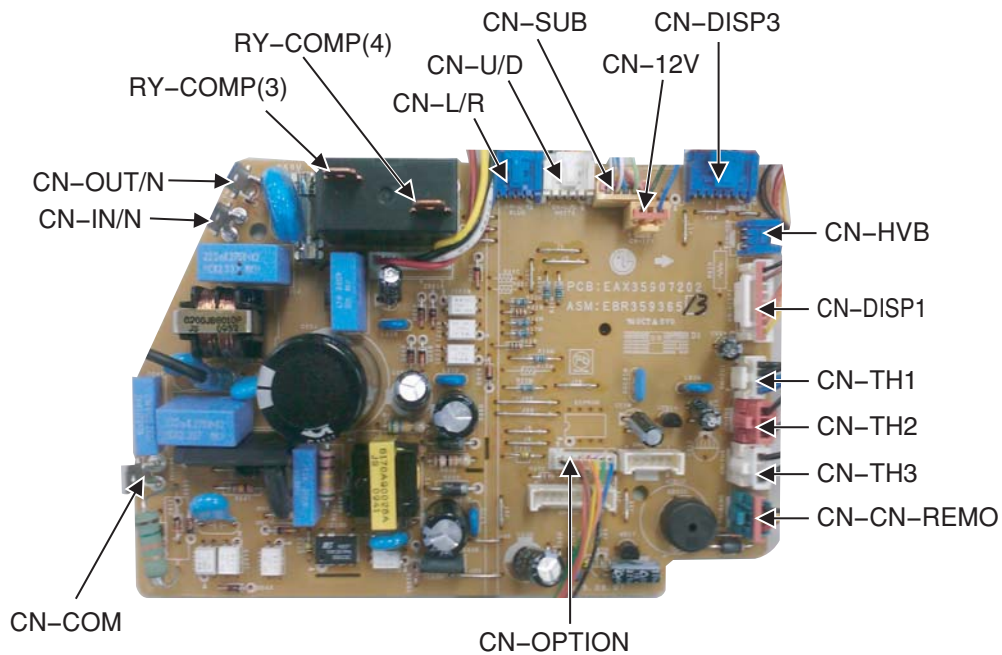
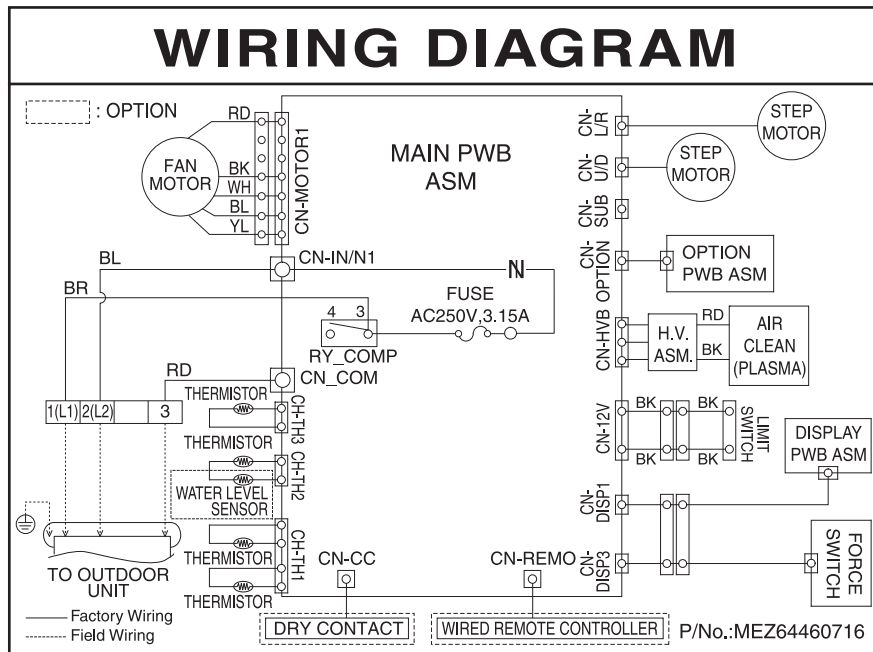
## Indoor Unit

• MODEL : ASNW183CRM9, ASNW243CRM9



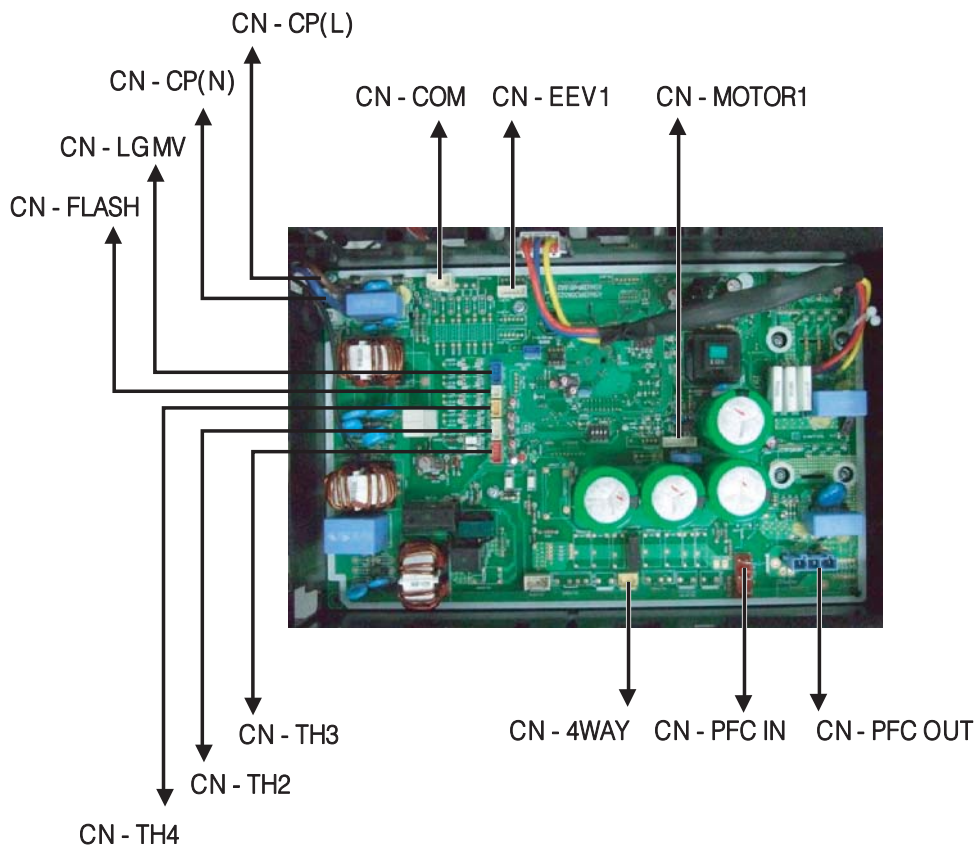
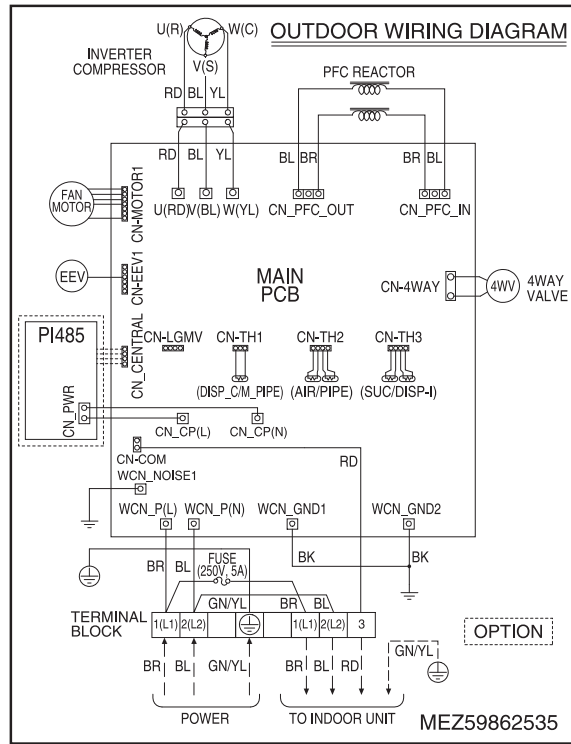
**Indoor Unit :**

**• MODEL : ASNW183C2Y9**



# Outdoor Unit

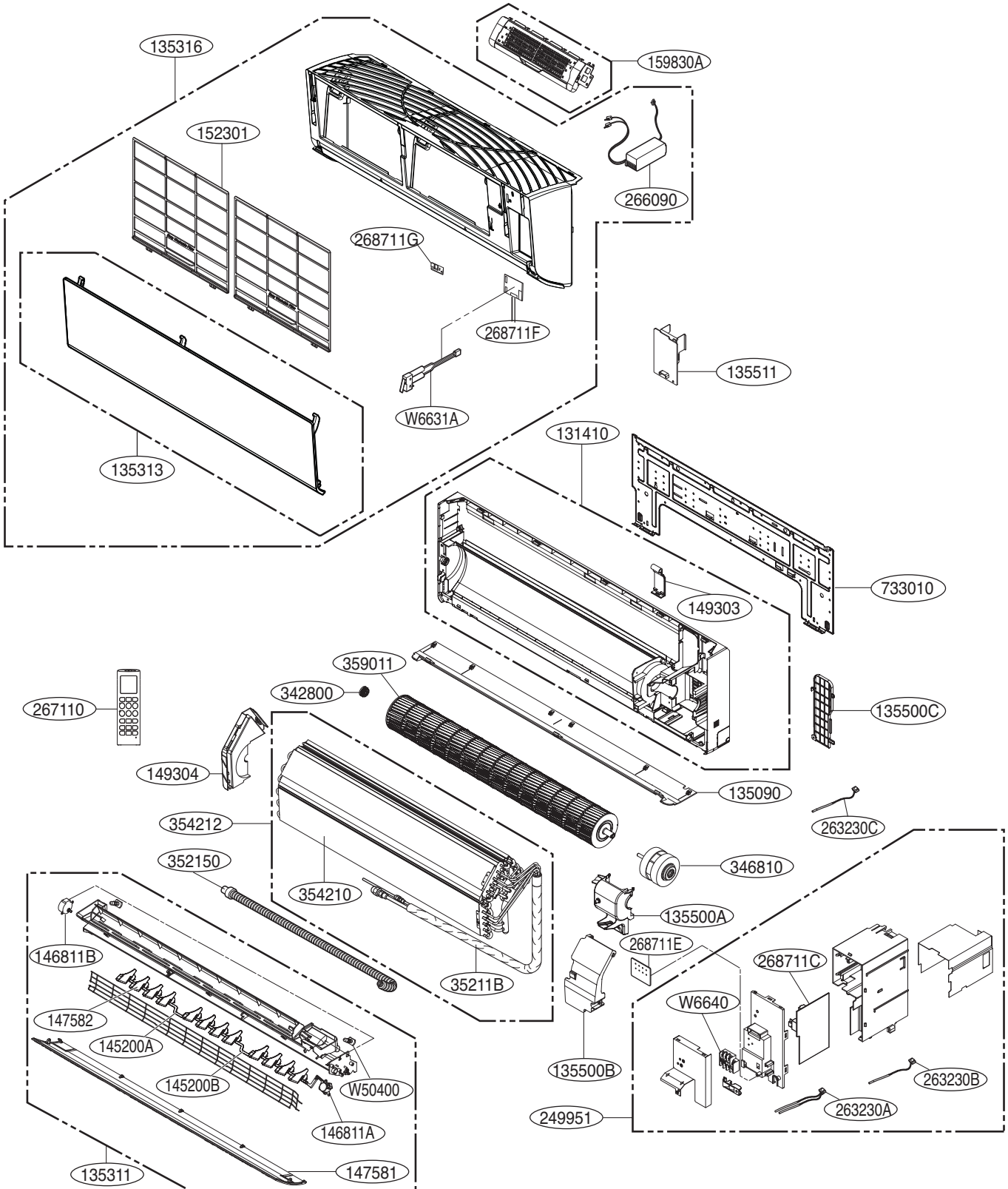
• Model : ASUW183CRM9, ASUW243CRM9, ASUW183C2Y9



# Exploded View

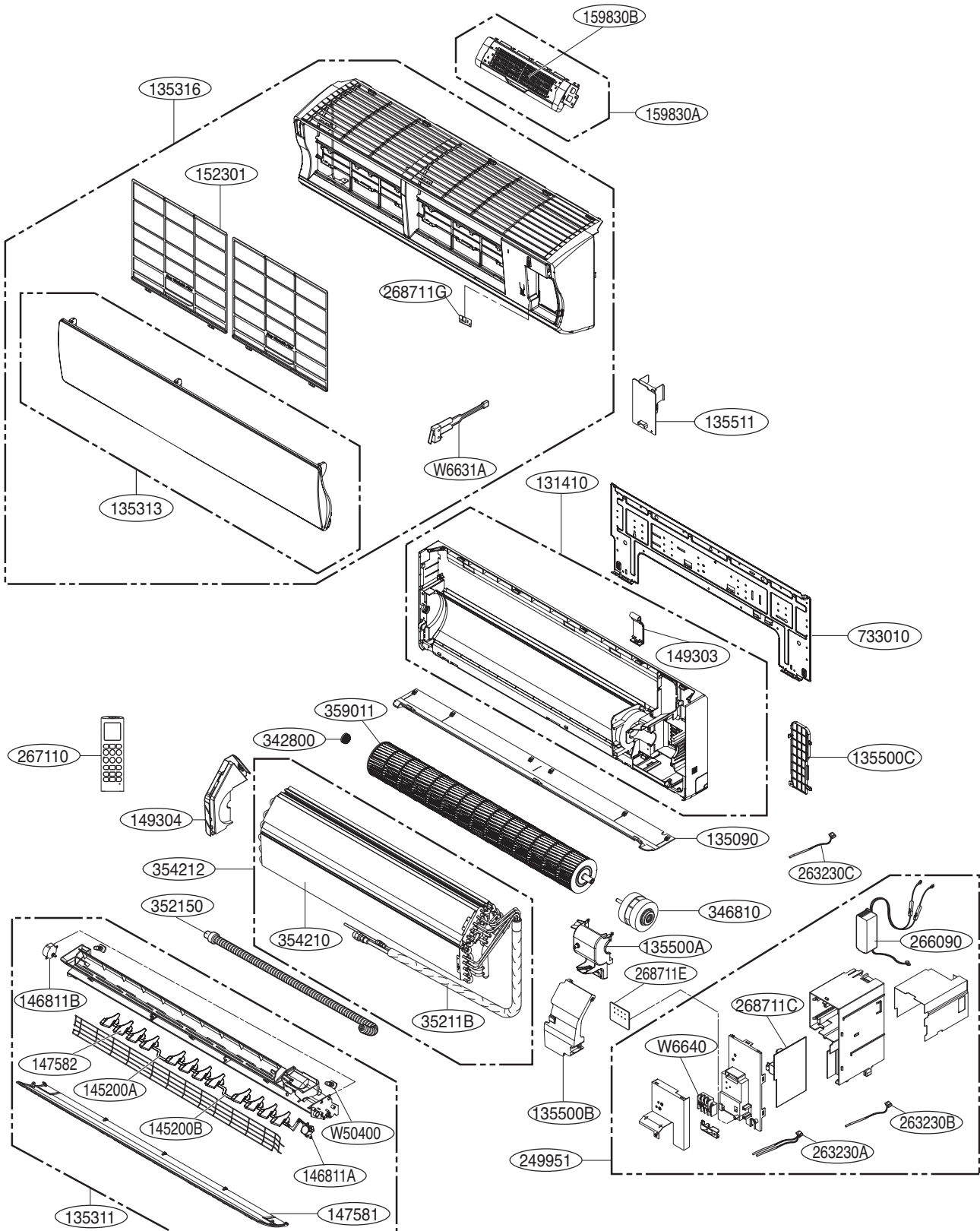
## Indoor Unit

• Model : ASNW183CRM9, ASNW243CRM9



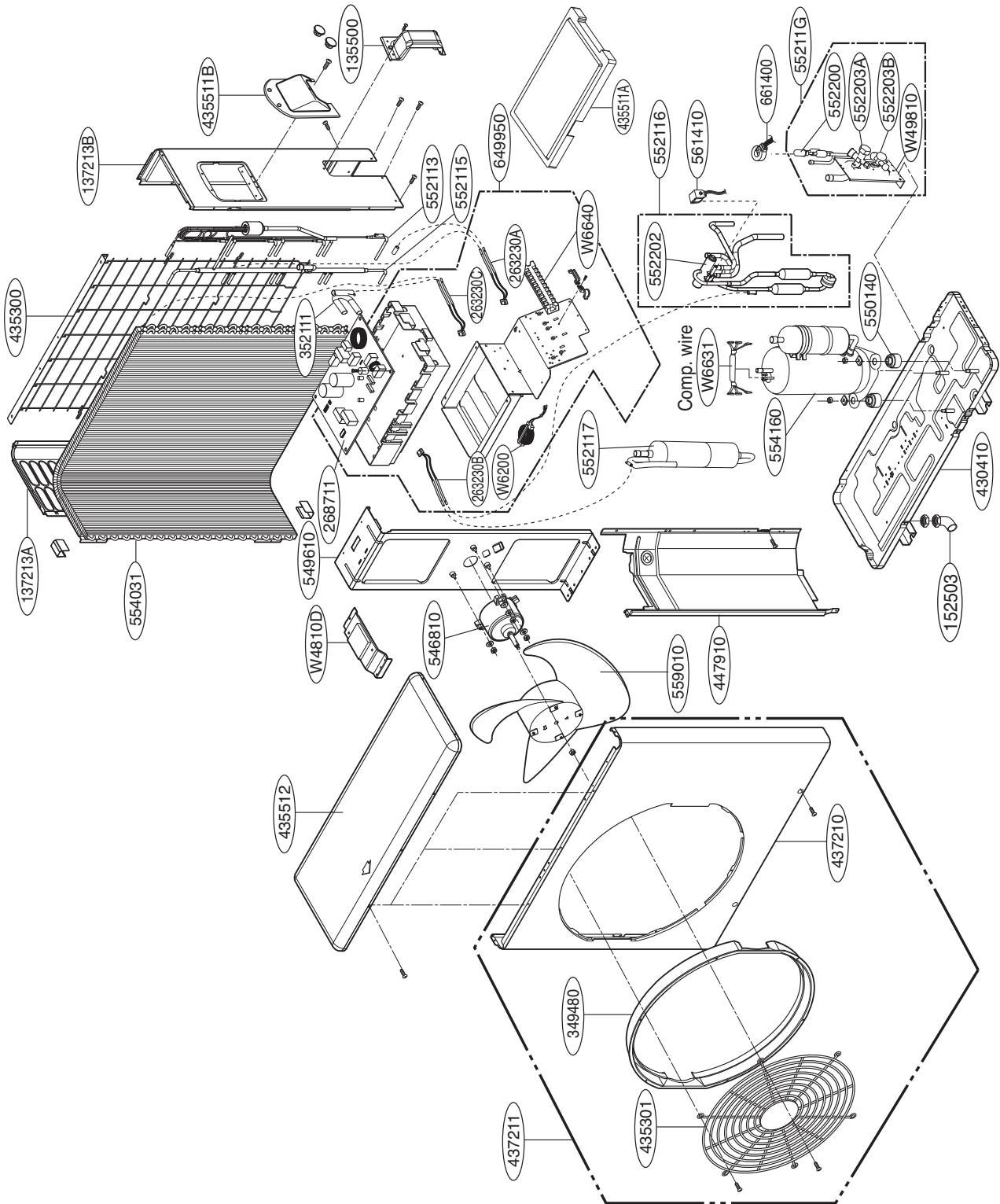
# Indoor Unit :

• Model : ASNW183C2Y9



# Outdoor Unit

• Model : ASUW183CRM9, ASUW243CRM9, ASUW183C2Y9





|        |  |
|--------|--|
| US     | 1. Please call the installing contractor of your product, as warranty service will be provided by them.<br>2. If you have service issues that have not been addressed by the contractor, please call 1-888-865-3026. |
| CANADA | Service call Number # : (888) LG Canada, (888) 542-2623  |

P/NO : MFL67501903

MAY, 2013