

This Owner's Manual is provided and hosted by [Appliance Factory Parts](#).



# LG LSN181HSV3 Owner's Manual

[Shop genuine replacement parts for LG LSN181HSV3](#)



[Find Your LG Air Conditioner Parts - Select From 2330 Models](#)

----- Manual continues below part list -----

## Available Replacement Parts for LG LSN181HSV3

<a href="#">4280A20004M</a>	Bearing
<a href="#">6871A20259D</a>	Sub Pcb Assembly
<a href="#">4681A20042E</a>	Motor Assembly,dc,stepping
<a href="#">EBG60787304</a>	Thermistor Assembly
<a href="#">EAU62004010</a>	Motor Assembly,dc,indoor
<a href="#">ADL72918701</a>	First Evaporator Assembly
<a href="#">ADP67778501</a>	Cross Flow Fan Assembly
<a href="#">MDJ61848401</a>	Deodorizing Filter
<a href="#">4681AP2968S</a>	Motor Assembly,dc,stepping
<a href="#">MDJ61144715</a>	Air Filter



Internal Use Only

<http://biz.lgservice.com>

# Room Air Conditioner

## **SVC MANUAL(Exploded View)**

**MODEL : AS-W183C2B8(LSN181HSV3/LSU181HSV3)**

### **CAUTION**

Before Servicing the unit, read the safety precautions in General SVC manual.  
Only for authorized service personnel.

# Product Specifications

Models		Unit	AS-W183C2B8	
Cooling Capacity		kW	0.90 ~ 5.33 ~ 8.65	
		Btu/h.	3,070 ~ 18,200 ~ 29,515	
Heating Capacity		kW	0.90 ~ 6.45 ~ 11.40	
		Btu/h.	3,070 ~ 22,000 ~ 38,898	
Power Input	Cooling/Heating	W	1447/1760	
Running Current	Cooling/Heating	A	6.3/8.2	
Starting Current	Cooling/Heating	A	6.3/8.2	
EER		W/W	3.69	
		Btu/h.W	12.6	
SEER		-	20.5	
HSPF		-	9.7	
Power Supply		Ø / V / Hz	1/208-230/60	
Power Factor		%	98.2	
Air Flow Rate	Indoor,Max	m³/min(CFM)	20.8(735)	
	Outdoor,Max	m³/min(CFM)	60.0(2119)	
Moisture Removal		l/h.	2.6(5.5)	
Sound Level	Indoor,H/M/L/Sleep	dB(A)±3	45/40/35/29	
	Outdoor,Max	dB(A)±3	53	
Refrigerant & Charge (at 7.5 m)		g(oz)	R410A, 1,800(63.5)	
Additional Refrigerant charge		g/m(oz/ft)	35(0.38)	
Compressor	Type		Twin Rotary	
	Model		GJT240MBA	
	Motor Type		Brushless DC Motor	
	Oil Type		FVC68D	
	Oil Charge	cc	900	
Fan(Indoor)	O.L.P. name		-	
	Type		Cross Flow Fan	
Fan(Outdoor)	Motor Output	W	76.1	
	Type		Propeller, Fan	
	Motor Type		BLDC	
Circuit Breaker*	Motor Output	W	124	
		A	25	
Power Supply Cable		No.*mm²	3*2.5	
Power and Transmission Cable No.*mm2		No.*mm²	4*1.0 (Including Earth)	
Piping Connections	Liquid Side	mm(in)	9.52(3/8)	
	Gas Side	mm(in)	15.88(5/8)	
Drain Hose(O.D / I.D.)		mm(in)	21.5 / 16.0(0.85 / 0.63)	
Dimensions	Indoor (W*H*D)	mm	1030*325*245	
		inch	40.6*12.8*9.64	
	Outdoor (W*H*D)	mm	870*800*320	
		inch	34.25*31.49*12.73	
Net Weight	Indoor	kg(lbs)	14.5(31.96)	
	Outdoor	kg(lbs)	55.5(122.35)	
Gross Weight	Indoor	kg(lbs)	18.2(40.1)	
	Outdoor	kg(lbs)	59(130.07)	
Operation Range	Cooling(Outdoor)	°C(°F)	-18~48(-0.4~118.4)	
	Heating(Outdoor)	°C(°F)	-20 ~ 24 (-4 ~ 75.2)	
Piping Length (Min/Max)		m(ft)	3(9.84) / 30(98.4)	
Chargeless		m(ft)	7.5(24.6)	
Max. Elevation Difference		m(ft)	15(49.2)	
Tool Code(Chassis)	Indoor + Outdoor		SC + UE1+	
Functions	Temperature Control		Thermistor	
	Allergy free filter		-	
	Plasma Filter + 2nd generation NPI		-	
	Pre-filter(washable/anti-fungus)		O	
	3M HAF Filter		-	
	Auto Clean		O	
	CHAOS Wind(Auto Wind)		O	
	Steps, Fan/Cool/Heat		5/6/5	
	Airflow Direction Control(up& Down)		Auto	
	Airflow Direction Control(left & right)		Auto	
	Remote Controller Type		Better	
	Setting Temperature	Cooling		18°C ~ 30°C
	Range	Heating		16°C ~ 30°C
	Auto Operation (Micom Control)			-
	Auto Changeover (Micom Control)			O
	Self Diagnosis			O
	Timer			24h, On/Off
	Sleep Operation			O
	Soft Dry Operation			O
	Restart Delay(minute)			3
	Deice Control(Defrost)			-
	Hot Start			O
	Jet Cool			O
	Low Ambient Operation			O
	Special Function			Water Level Sensor, Cooling Only Switch, Wind Baffle Kit, WLAN

**Note:**

O : Applied, - : No relation

\* For circuit breaker rating, please conform to local standards wherever necessary.

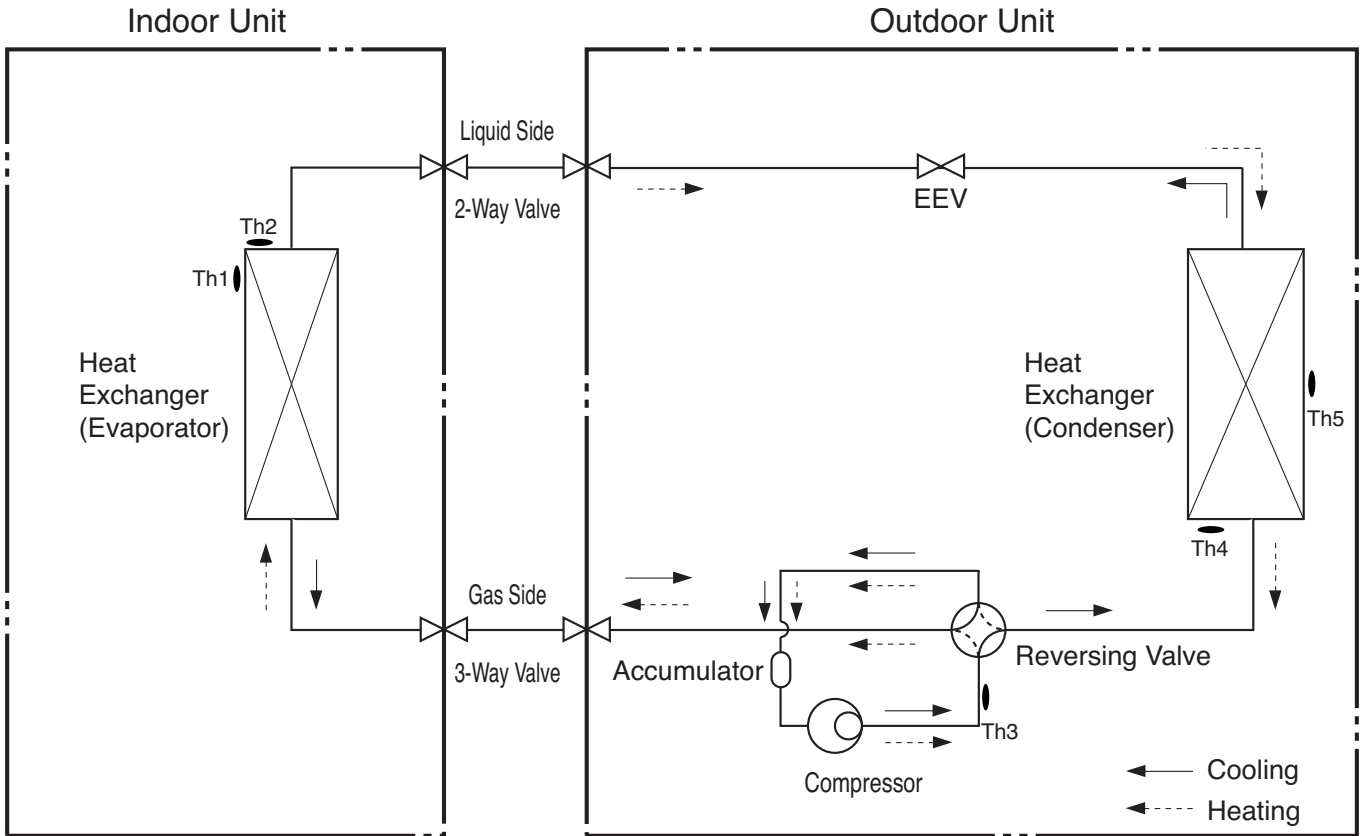
\* If you use WLAN, WLAN module must be purchased separately.

\* Some of functions are slightly different depending upon models.

\* The specification may be subject to change without notice for purpose of improvement.

# Piping Diagrams

Model : AS-W183C2B8

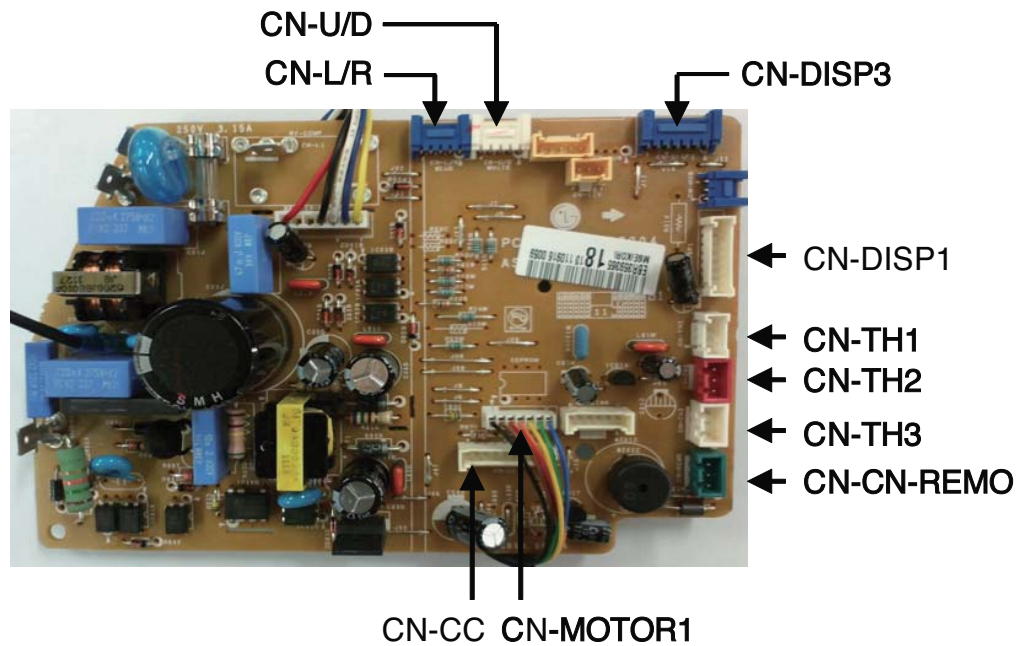
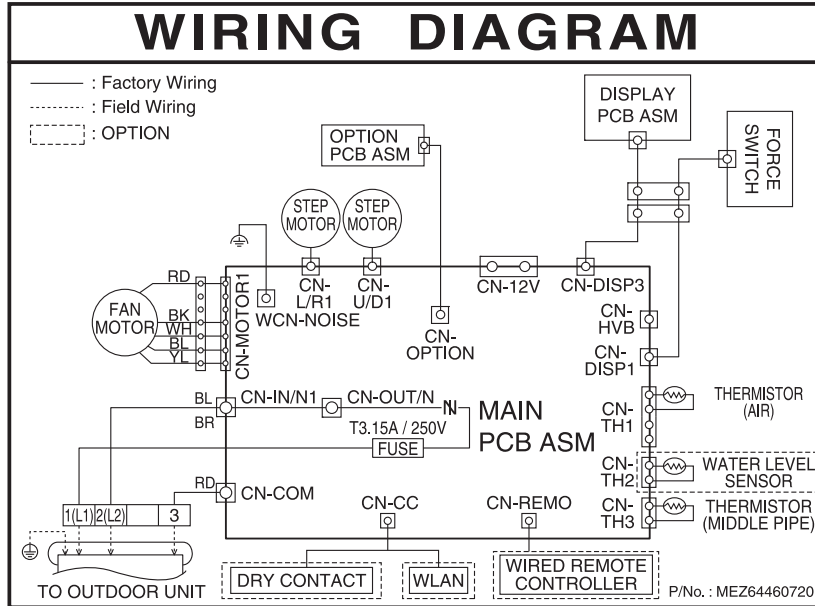


LOC.	Description	PCB Connector
Th1	Thermistor for suction air temperature	CN-TH1(Indoor)
Th2	Thermistor for evaporator middle temperature	CN-TH3(Indoor)
Th3	Thermistor for discharge pipe temperature	CN-TH2(OUTDOOR)
Th4	Thermistor for condensing temperature	CN-TH1(OUTDOOR)
Th5	Thermistor for outdoor air temperature	

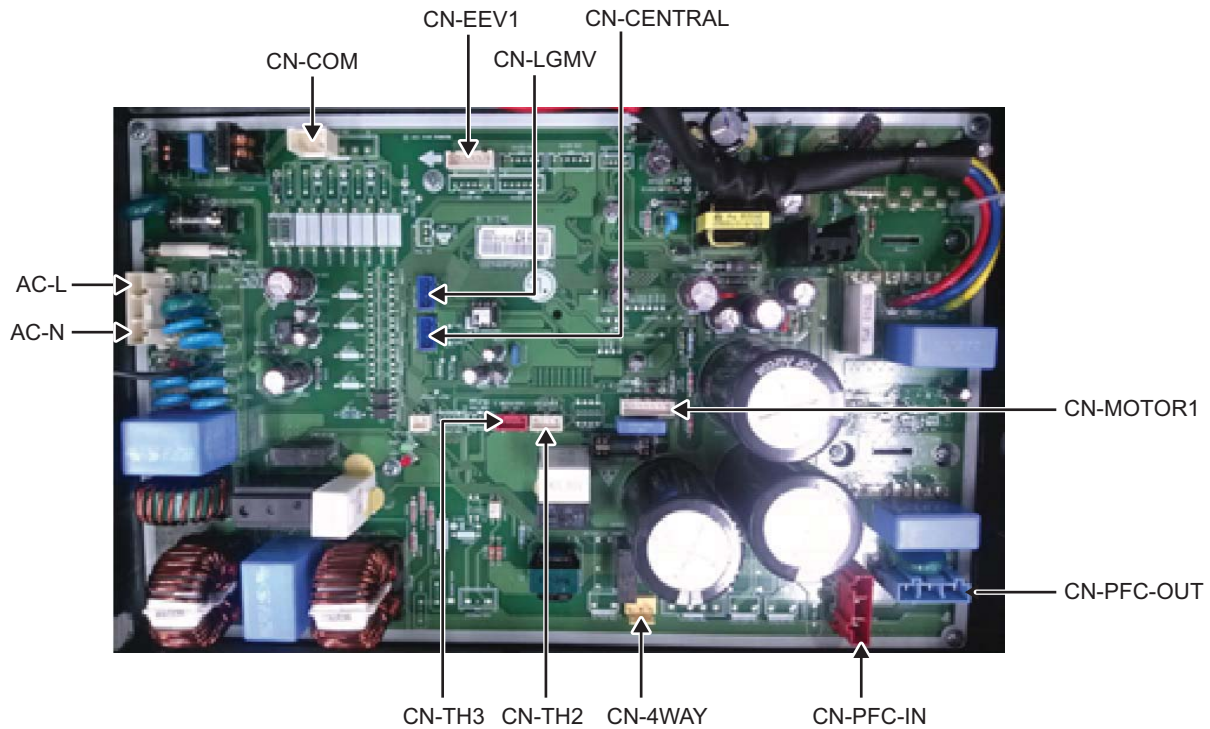
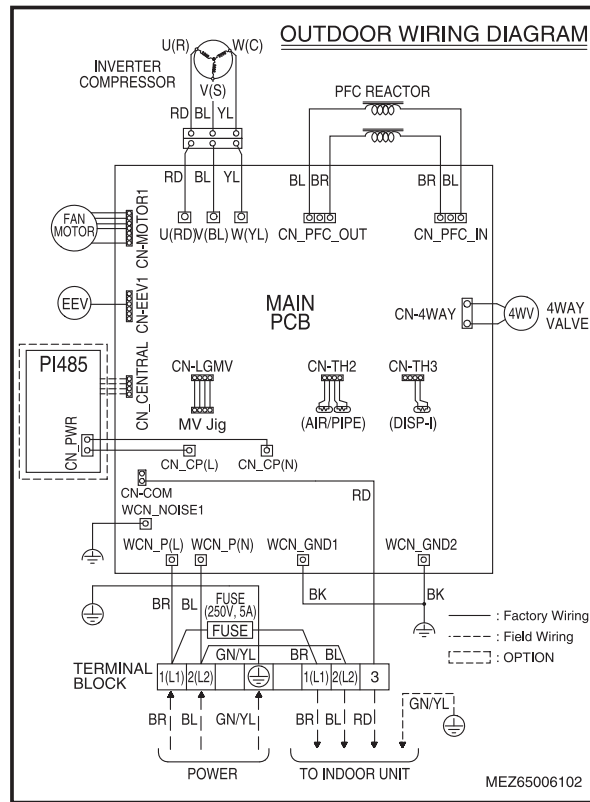
※ EEV : Electronic Expansion Valve

# Wiring Diagrams

## Indoor Unit

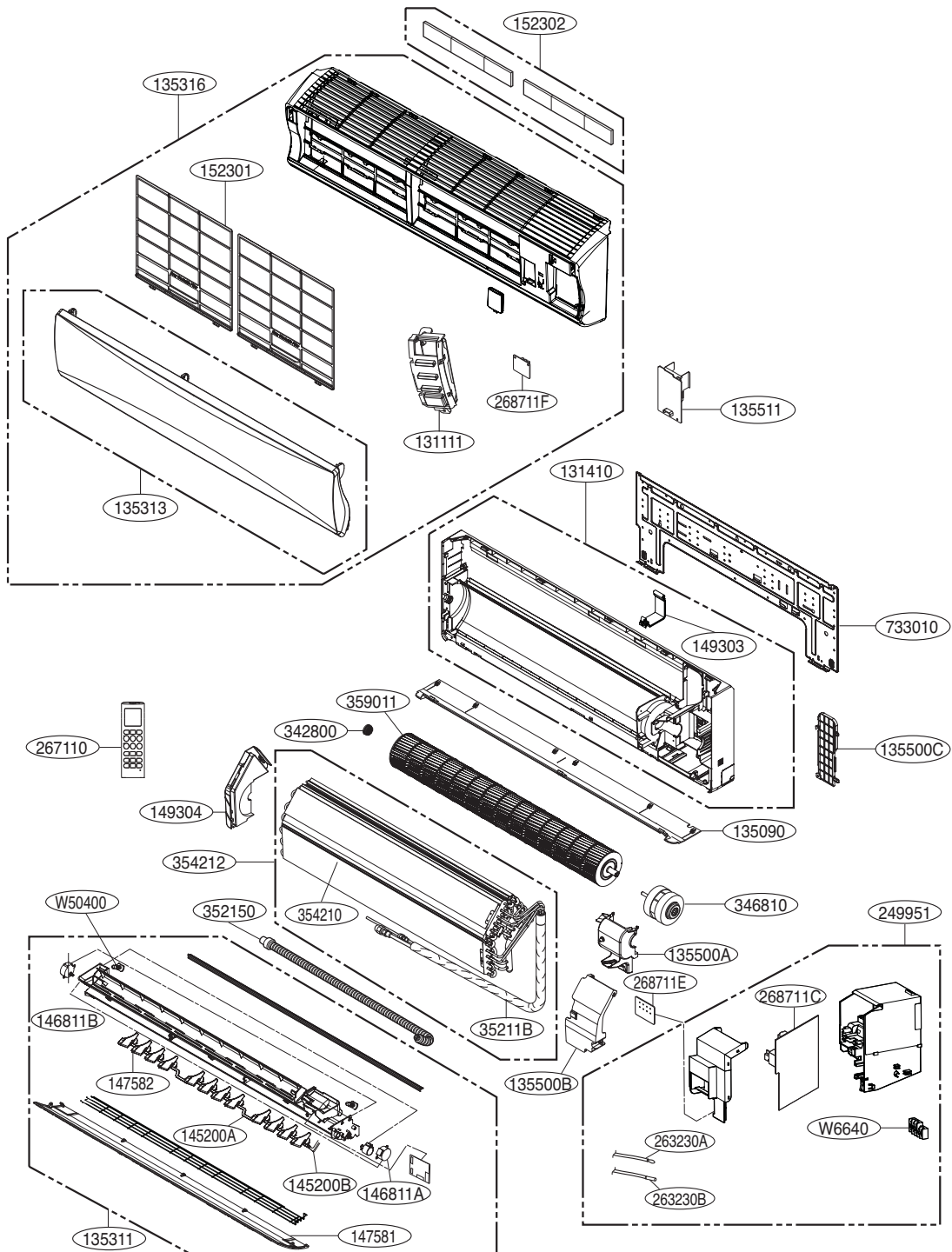


# Outdoor Unit



# Exploded View

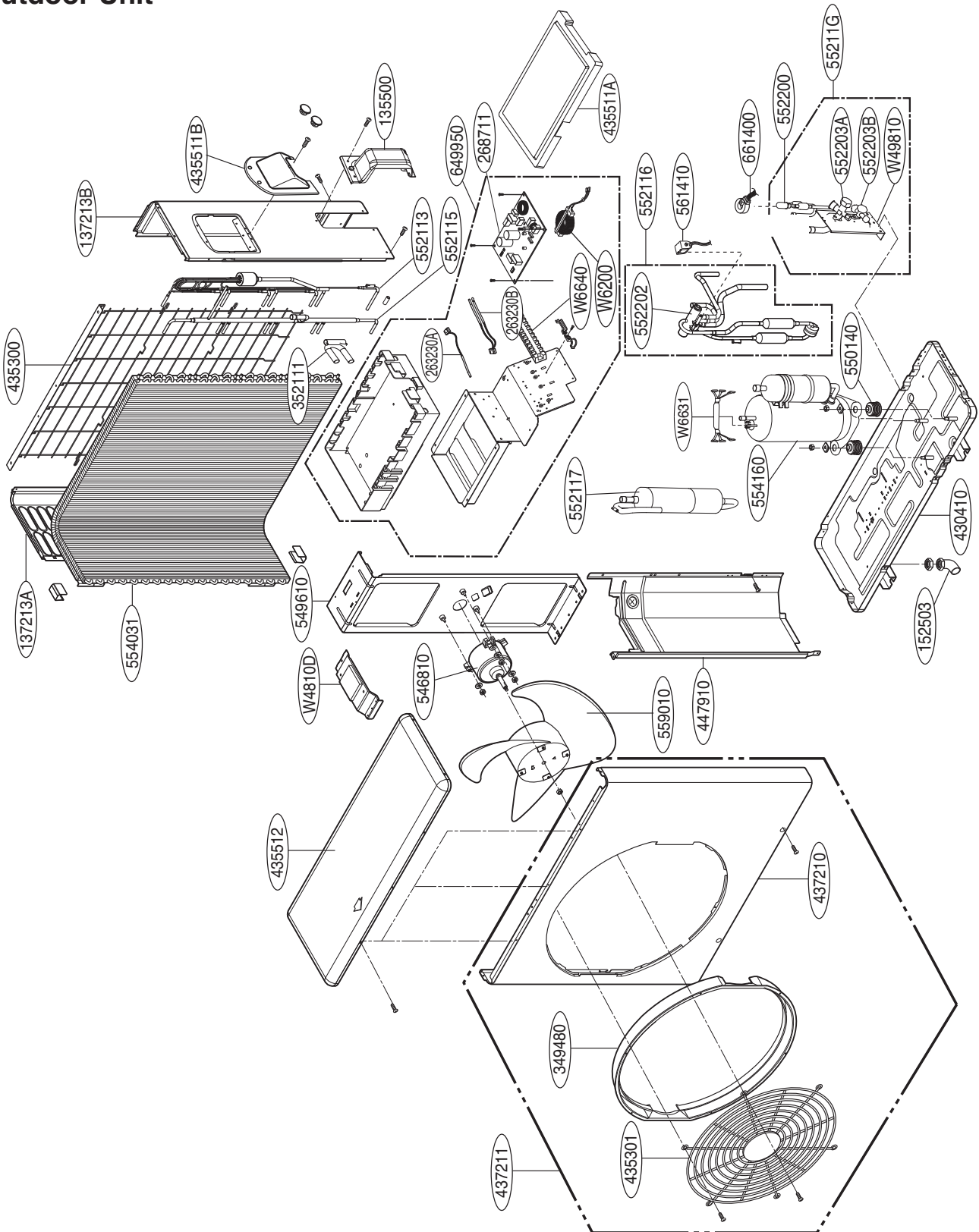
## Indoor Unit



LOC	Description
263230A	Thermistor for suction air temperature
263230B	Thermistor for evaporator middle temperature

Note) \* Please ensure GCSC since the replacement parts may be changed depending upon the buyer's request.  
 Please check the correct parts in View RPL(Replacement Part List) on GCSC.  
 (GCSC Website <http://www.lge.com>)

# Outdoor Unit



LOC	Description
263230A	Thermistor for suction air temperature
	Thermistor for condense middle temperature
263230B	Thermistor for discharge pipe temperature



US	1. Please call the installing contractor of your product, as warranty service will be provided by them. 2. If you have service issues that have not been addressed by the contractor, please call 1-888-865-3026.
CANADA	Service call Number # : (888) LG Canada, (888) 542-2623

P/NO : MFL67501907

June, 2013