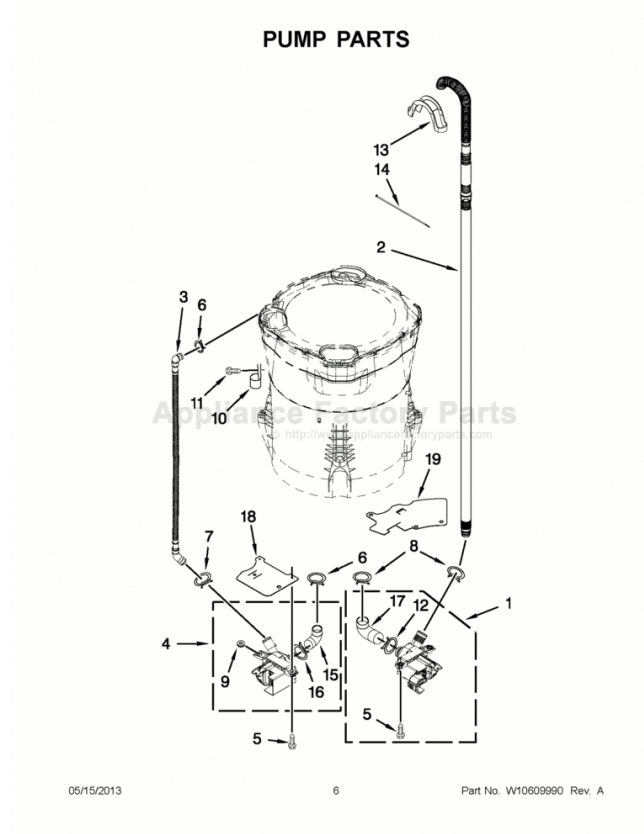


This Owner's Manual is provided and hosted by [Appliance Factory Parts](http://ApplianceFactoryParts.com).



MAYTAG MVWB725BW0 Owner's Manual

[Shop genuine replacement parts for MAYTAG
MVWB725BW0](#)



[Find Your MAYTAG Washer Parts - Select From 1756 Models](#)

----- Manual continues below -----



**BRAVOS XL® TOP-LOADING
HIGH EFFICIENCY
LOW-WATER WASHER
USE AND CARE GUIDE**

**LAVEUSE HAUTE
EFFICACITÉ BRAVOS XL®
À FAIBLE CONSOMMATION
D'EAU AVEC CHARGEMENT
PAR LE DESSUS
GUIDE D'UTILISATION
ET D'ENTRETIEN**

Table of Contents

WASHER SAFETY.....	2
WHAT'S NEW UNDER THE LID?.....	3
CONTROL PANEL AND FEATURES.....	4
Dispensers.....	5
CYCLE GUIDE.....	6
USING YOUR WASHER.....	8
WASHER MAINTENANCE.....	11
TROUBLESHOOTING.....	13
ACCESSORIES.....	17
WARRANTY.....	18
ASSISTANCE OR SERVICE.....	Back Cover

Table des matières

SÉCURITÉ DE LA LAVEUSE.....	19
QUOI DE NEUF SOUS LE COUVERCLE?	20
TABLEAU DE COMMANDE ET CARACTÉRISTIQUES	21
Distributeurs.....	23
GUIDE DES PROGRAMMES.....	24
UTILISATION DE LA LAVEUSE.....	27
ENTRETIEN DE LA LAVEUSE.....	30
DÉPANNAGE.....	32
ACCESSOIRES.....	38
GARANTIE.....	39
ASSISTANCE OU SERVICE.....	Couverture arrière

Para una version en español, visite www.maytag.com



Designed to use only HE High Efficiency detergents.

Conçue pour l'utilisation d'un détergent haute efficacité seulement.

WASHER SAFETY

Your safety and the safety of others are very important.

We have provided many important safety messages in this manual and on your appliance. Always read and obey all safety messages.



This is the safety alert symbol.

This symbol alerts you to potential hazards that can kill or hurt you and others.

All safety messages will follow the safety alert symbol and either the word "DANGER" or "WARNING." These words mean:

⚠ DANGER

You can be killed or seriously injured if you don't immediately follow instructions.

⚠ WARNING

You can be killed or seriously injured if you don't follow instructions.

All safety messages will tell you what the potential hazard is, tell you how to reduce the chance of injury, and tell you what can happen if the instructions are not followed.

IMPORTANT SAFETY INSTRUCTIONS

WARNING: To reduce the risk of fire, electric shock, or injury to persons when using the washer, follow basic precautions, including the following:

- Read all instructions before using the washer.
- Do not wash articles that have been previously cleaned in, washed in, soaked in, or spotted with gasoline, dry-cleaning solvents, other flammable, or explosive substances as they give off vapors that could ignite or explode.
- Do not add gasoline, dry-cleaning solvents, or other flammable, or explosive substances to the wash water. These substances give off vapors that could ignite or explode.
- Under certain conditions, hydrogen gas may be produced in a hot water system that has not been used for 2 weeks or more. **HYDROGEN GAS IS EXPLOSIVE.** If the hot water system has not been used for such a period, before using the washing machine, turn on all hot water faucets and let the water flow from each for several minutes. This will release any accumulated hydrogen gas. As the gas is flammable, do not smoke or use an open flame during this time.
- Do not allow children to play on or in the washer. Close supervision of children is necessary when the washer is used near children.
- Before the washer is removed from service or discarded, remove the door or lid.
- Do not reach into the washer if the drum, tub or agitator is moving.
- Do not install or store the washer where it will be exposed to the weather.
- Do not tamper with controls.
- Do not repair or replace any part of the washer or attempt any servicing unless specifically recommended in this manual or in published user-repair instructions that you understand and have the skills to carry out.
- See "Electrical Requirements" located in the installation instructions for grounding instructions.

SAVE THESE INSTRUCTIONS

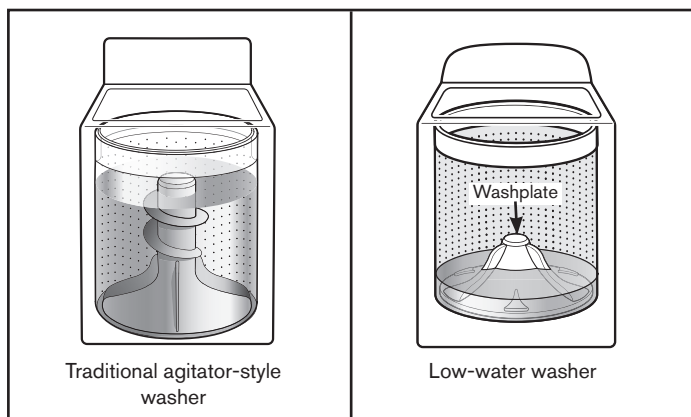
State of California Proposition 65 Warnings:

WARNING: This product contains one or more chemicals known to the State of California to cause cancer.

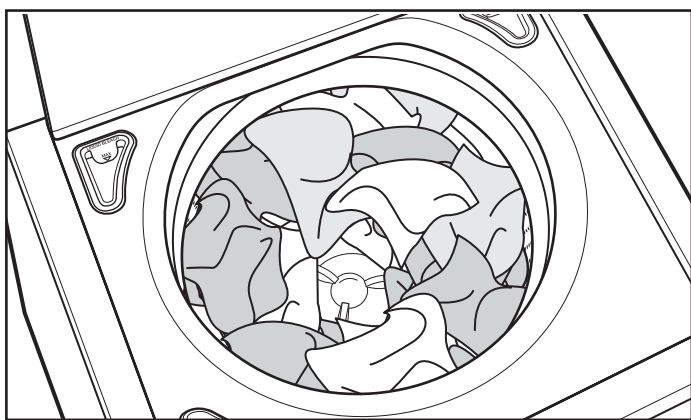
WARNING: This product contains one or more chemicals known to the State of California to cause birth defects or other reproductive harm.

WHAT'S NEW UNDER THE LID?

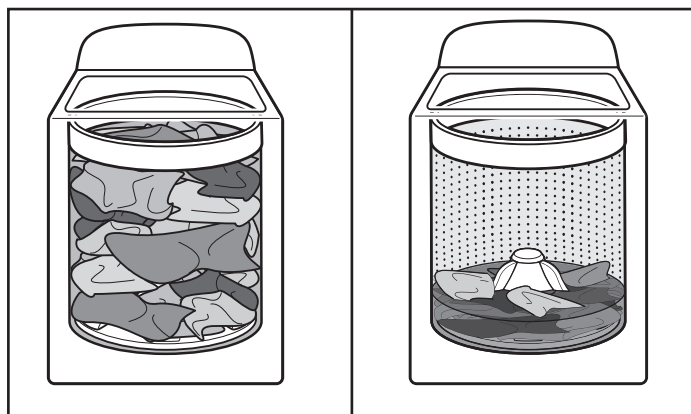
Cleaning with Less Water



The most striking difference in your new washer is the low-water washplate wash system. The washer automatically adjusts the water level to the load size—no water level selector is needed.



Load garments in loose heaps evenly around the washplate. Do not load garments directly over the center of the washplate; when loaded, the center of the washplate should be visible.



As the washer dampens and moves the load, the level of the garments will settle in the basket. This is normal, and does not indicate that more garments should be added.

IMPORTANT: You will not see a washer basket full of water as with your past agitator-style washer. It is normal for some of the load to be above the water line.

INTELLIFILL™ Water Level Control

Once you start the cycle, the lid will lock, and the washer will begin the sensing process to determine the correct water level for the load. You will find a step-by-step description in the “Cycle Status Lights” section.

You will hear the motor turn the basket in short pulses to thoroughly wet the load. This low-water wash method uses less water and energy compared to a traditional agitator-style washer.

Auto Temperature Control

Auto Temperature Control (ATC) regulates incoming hot and cold water, blending the temperatures for optimal and consistent cleaning. The ATC is automatically turned on when a cycle is selected.

Choosing the Right Detergent

Use only High Efficiency detergents. The package will be marked “HE” or “High Efficiency.” Low-water washing creates excessive sudsing with a regular non-HE detergent. Using regular detergent will likely result in longer cycle times and reduced rinsing performance. It may also result in component failures and noticeable mold or mildew. HE detergents are made to produce the right amount of suds for the best performance. Follow the manufacturer’s instructions to determine the amount of detergent to use.



Use only High Efficiency (HE) detergent.

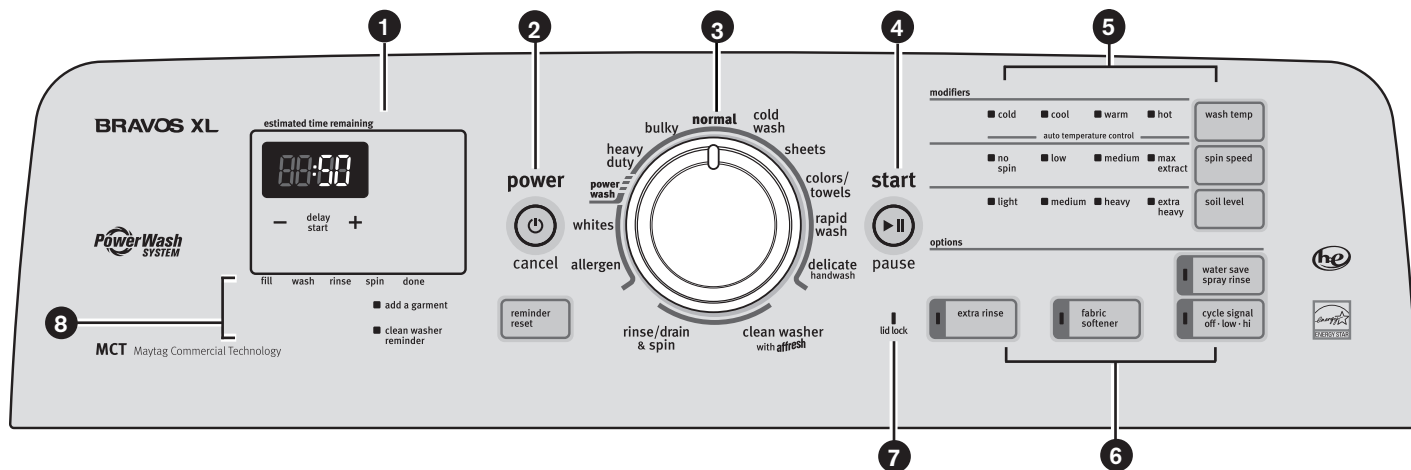
Concentrated Cleaning

Low-water cleaning means concentrated cleaning. Rather than diluting detergent as done in an agitator-style washer, this washer delivers the detergent directly to the soils.

Normal Sounds You Can Expect

At different stages of the wash cycle, you may hear sounds and noises that are different from those of your previous washer. For example, you may hear a clicking and hum at the beginning of the cycle, as the lid lock goes through a self-test. There will be different kinds of humming and whirring sounds as the washplate moves the load. And sometimes, you may hear nothing at all, as the washer determines the correct water level for your load or allows time for clothes to soak.

CONTROL PANEL AND FEATURES



Not all features and cycles are available on all models.

- 1 ESTIMATED TIME REMAINING DISPLAY**
The Estimated Time Remaining display shows the time required for the cycle to complete. Factors such as load size and water pressure may affect the time shown in the display. Tightly packed or unbalanced loads, or excessive suds may cause the washer to adjust the cycle time, as well.
- 2 POWER/CANCEL BUTTON**
Press to turn the washer ON or OFF.
- 3 WASH CYCLE KNOB**
Use the Wash Cycle knob to select available cycles on your washer. Turn the knob to select a cycle for your laundry load. See "Cycle Guide" for detailed descriptions of cycles.
- 4 START/PAUSE BUTTON**
Press to start the selected cycle. Be sure all desired Modifiers and Options have been selected. Press START/PAUSE once to unlock the lid and add a garment. Press START/PAUSE again to complete the cycle from where it was stopped. The lid must be closed for the washer to start.
- 5 CYCLE MODIFIERS**
Modifiers allow you to further customize your cycles and save energy. Not all cycles, options, and modifiers are available on all models.

WASH TEMP

Select a water temperature based on the type of load you are washing. Use the warmest wash water suitable for fabrics. Follow garment label instructions.

All cycles use cold rinses. Cold rinses may help with wrinkling and save energy.

NOTE: In wash water temperatures colder than 60°F (15.6°C), detergents do not dissolve well. Soils may be difficult to remove.

SPIN SPEED

This washer automatically selects the spin speed based on the cycle selected. The preset speeds can be changed. Not all spin speeds are available with all cycles.

- Faster spin speeds mean shorter dry times, but may increase wrinkling in your load.
- Slower spin speeds mean less wrinkling, but will leave your load more damp.

SOIL LEVEL

Soil Level (wash time) is preset for each wash cycle. As you press Soil Level, the cycle time (minutes) will increase or decrease in the Estimated Time Remaining display and a different wash time will appear.

For most loads, use the Soil Level that is preset with the cycle you have chosen. For heavily soiled and sturdy fabrics, press SOIL LEVEL to select more wash time, if needed. For lightly soiled and delicate fabrics, press SOIL LEVEL to select less wash time, if needed. Lower Soil Level settings will help reduce tangling and wrinkling.

- 6 CYCLE OPTIONS**
When you select a cycle, its default options will light up. Not all cycles, options, and modifiers are available on all models.

WATER SAVE SPRAY RINSE

Use this option to save water by using a spray rinse instead of a deep water rinse. This option is the default setting on some cycles, and selectable on other cycles. When using fabric softener, always select the FABRIC SOFTENER button, or select EXTRA RINSE; both of these options will dispense fabric softener in a deep rinse.

EXTRA RINSE

This option can be used to automatically add a second rinse to most cycles.

FABRIC SOFTENER

This option must be selected if using fabric softener during a cycle. It ensures that fabric softener is added at the correct time in the rinse for even distribution.

CYCLE SIGNAL

Use this option to adjust volume of the signal that sounds at end of cycle. You may select Hi, Low, or Off (no indicator lit). A louder signal is helpful in removing items as soon as cycle is complete.

You may also add or remove options for each cycle. Not all options can be used with all cycles, and some are preset to work with certain cycles.

To turn Button Sounds either Off or On:

Button Sounds can be turned off or on by holding down the Cycle Signal button for 5 seconds. The washer will make a single short beep/tone when complete. This function can be completed at any time during the washer's operation, but not in STANDBY.

When the Button Sounds function is set to Off:

- Invalid key selection tones (3 short beeps/tones) will still remain active, but will sound at the "SOFT" volume level.
- All Valid key selection tones (1 short beep/tone) are disabled including Power/Cancel and End of Cycle signal, as well as the chime that is produced when turning the cycle knob past NORMAL.

NOTE: The chosen setting will remain in effect through a power loss.

7 LID LOCK INDICATOR

This light indicates that the lid is locked and cannot be opened. If you need to open the lid, press START/PAUSE. The lid will unlock once the washer movement has stopped. This may take several minutes if the load was spinning at high speed. Press START/PAUSE again to restart the cycle.



8 CYCLE STATUS LIGHT INDICATORS

The Cycle Status Lights show the progress of a cycle. At each stage of the process, you may notice sounds or pauses that are different from traditional washers.

FILL

When the Start/Pause button is pressed, the washer will add a small amount of water to the load, then pause for a few seconds. The lid will then lock and the washer will continue to fill.

WASH

You will hear the motor and washplate moving the load. It is normal for some of the load to be above the water line. Low-water cleaning means concentrated cleaning. Rather than diluting detergent as done in an agitator-style washer, this washer delivers the detergent directly to the soils. The motor sounds may change at different stages in the cycle. The wash time is determined by the selected Soil Level.

RINSE

You will hear sounds similar to the wash cycle as the washer rinses and moves the load. You may hear the motor turning on briefly to move the basket while filling. Fabric softener will be added if the Fabric Softener option was selected. Some cycles use spray rinsing.

SPIN

The washer spins the load at increasing speeds for proper water removal, based on the selected cycle and spin speed.

DONE

Once the cycle is complete, this light will come on. Remove the load promptly for best results.

ADD A GARMENT

You may place additional clothing in the wash when the Add a Garment indicator is lit without sacrificing wash performance. Press START/PAUSE once. The Lid Lock light will turn off. Open the washer lid, add garments and close the lid. Press START/PAUSE to restart.

CLEAN WASHER REMINDER

The Clean Washer Reminder indicator lights after 30 wash cycles without a clean washer cycle. See the "Washer Care" section to run the clean washer cycle, or you can press REMINDER RESET button to manually reset clean washer cycle counter.

DISPENSERS

A High Efficiency "HE" detergent dispenser

Add liquid or powdered HE detergent product to this dispenser for your main wash cycle.



Use only High Efficiency (HE) detergent.

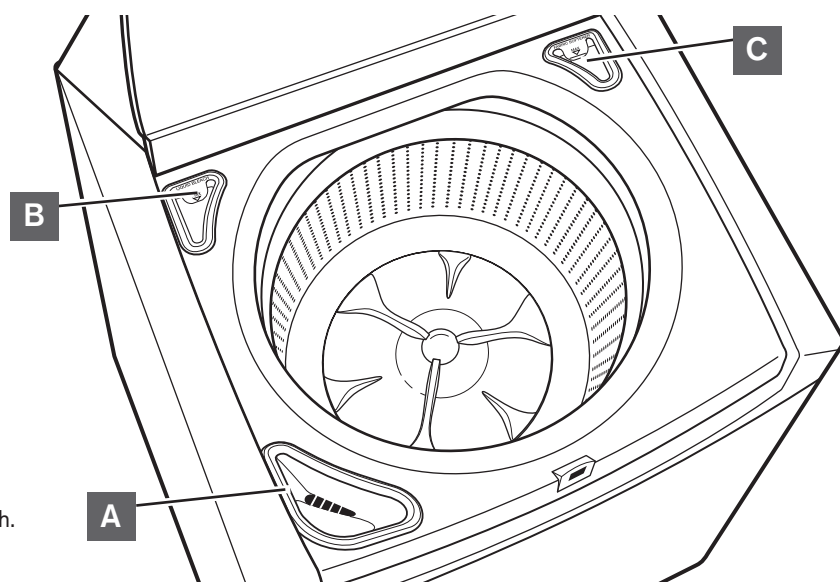
B Liquid chlorine bleach dispenser

This dispenser holds up to 3/4 cup (180 mL) liquid chlorine bleach. The bleach will be automatically diluted and dispensed at the optimum time during the wash cycle. This dispenser cannot dilute powdered bleach. Use the liquid chlorine bleach dispenser for liquid chlorine bleach or color-safe bleach.

C Liquid fabric softener dispenser

Pour measured liquid fabric softener into the liquid fabric softener dispenser, if desired. It will dispense automatically at the optimum time when the Fabric Softener option is selected.

- Use only liquid fabric softener in this dispenser.
- Do not overfill. Do not dilute. The dispenser holds 3 oz (94 mL), or a capful of fabric softener.
- Fabric softener is dispensed in a deep rinse when the Fabric Softener option is selected. If Extra Rinse is selected, the fabric softener will be dispensed during the final rinse.



- Do not use fabric softener dispensing balls in this washer. Dispensing balls will not operate correctly with this washer.
- Do not spill or drip any fabric softener onto the clothes.
- At the end of the cycle, a small amount of water may be left in the dispenser. This is normal.

CYCLE GUIDE

Settings and options shown in **bold** are default settings for that cycle. For best fabric care, choose the cycle that best fits the load being washed. Not all cycles and options are available on all models.

Items to wash:	Cycle:	Wash Temp:	Spin Speed:	Soil Level:	Available Options:	Cycle Details:
Cottons, linens, and mixed garment loads	Normal	Hot Warm Cool Cold	Max Extract Medium No Spin	Extra Heavy Heavy** Medium Light	Extra Rinse Water Save Spray Rinse Fabric Softener	Use this cycle for normally soiled cottons and mixed fabric loads. This cycle combines high-speed wash action and medium-speed spin.
Sturdy fabrics, dark colors that bleed or fade	Cold Wash	Cold	Max Extract Medium Low No Spin	Extra Heavy Heavy Medium Light	Extra Rinse Water Save Spray Rinse Fabric Softener	Use this cycle for sturdy garments with dark or bright colors that could bleed or fade in a warmer wash cycle. This cycle is a good choice for washing new garments that may shrink or fade in their first wash.
Normally soiled sheets, pillowcases, light blankets, or throws	Sheets	Hot Warm Cool Cold	Max Extract Medium Low No Spin	Extra Heavy Heavy Medium Light	Extra Rinse Water Save Spray Rinse Fabric Softener	The wash action of this cycle is designed to keep large items from tangling and balling up. IMPORTANT: For best performance, load garments in loose heaps evenly around the washplate. Do not load garments directly over the center of the washplate.
Towels and terrycloth items, lightly soiled, colored clothing	Colors/ Towels	Hot Warm Cool Cold	Max Extract Medium Low No Spin	Extra Heavy Heavy Medium Light	Extra Rinse Water Save Spray Rinse Fabric Softener	This cycle is also a good choice for garments with a wrinkle-free finish. This cycle uses medium-speed wash action and medium-speed spin.
Lightly soiled garments	Rapid Wash	Hot Warm Cool Cold	Max Extract Medium Low No Spin	Extra Heavy Heavy Medium Light	Extra Rinse Water Save Spray Rinse Fabric Softener	Use this cycle to wash small, lightly soiled loads that are needed in a hurry. This short cycle combines high-speed wash action and high-speed spin for the optimal cleaning and shortened dry times.
Machine-wash silks, hand-wash fabrics, and wool	Delicate (Handwash)	Hot Warm Cool Cold	Medium Low No Spin	Extra Heavy Heavy Medium Light	Extra Rinse Water Save Spray Rinse Fabric Softener	This cycle combines low-speed wash and low-speed spin action to clean items labeled as "Machine Washable" on the garment care label.
Large items such as sleeping bags, blankets, small comforters, and jackets	Bulky	Hot Warm Cool Cold	Medium Low No Spin	Extra Heavy Heavy Medium Light	Extra Rinse Fabric Softener	This cycle starts with a soak to thoroughly saturate your large load. This is followed by medium wash action and medium spin speeds to maintain load balance. IMPORTANT: When washing waterproof/water-resistant items such as plastic lined mattress pads, shower curtains, tarps, jackets, or sleeping bags, select the lowest spin speed setting available for the cycle and washer model being used.
Sturdy fabrics, colorfast items	Heavy Duty	Hot Warm Cool Cold	Max Extract Medium Low No Spin	Extra Heavy*** Heavy Medium Light	Extra Rinse Water Save Spray Rinse Fabric Softener	Use this cycle for heavily soiled or sturdy cotton items. Cycle combines high-speed wash action and high-speed spin.
Heavily soiled fabrics	Power Wash	Hot Warm Cool Cold	Max Extract Medium Low No Spin	Extra Heavy*** Heavy Medium Light	Extra Rinse Water Save Spray Rinse Fabric Softener	Use this cycle for extremely soiled garments and household items that need additional cleaning power. This cycle combines high-speed wash action, medium-speed spin, and a deep rinse to flush excess dirt from the load.

* Wash temperatures vary according to the chosen cycle setting. All cycle settings use a cold rinse temperature.

** Not all models default to the same Soil Level setting. Some models will default to Medium on this cycle.

*** Not all models default to the same Soil Level setting. Some models will default to Heavy on this cycle.

CYCLE GUIDE

Settings and options shown in **bold** are default settings for that cycle. For best fabric care, choose the cycle that best fits the load being washed. Not all cycles and options are available on all models.

Items to wash:	Cycle:	Wash Temp:	Spin Speed:	Soil Level:	Available Options:	Cycle Details:
Heavily soiled white fabrics	Whites	Hot Warm Cool Cold	Max Extract Medium Low No Spin	Extra Heavy*** Heavy Medium Light	Extra Rinse Water Save Spray Rinse Fabric Softener	This cycle introduces liquid chlorine bleach to the load at the proper time for improved whitening of your heavily soiled white fabrics. This cycle combines high-speed wash action and high-speed spin speed. For maximum soil and stain removal, use the liquid chlorine bleach dispenser for liquid chlorine bleach or color-safe bleach. This cycle can also be used for sturdy color fabrics, such as towels without liquid chlorine bleach.
Cottons and linens exposed to possible allergens	Allergen	Hot	Max Extract Medium Low No Spin	Extra Heavy Heavy Medium Light	Extra Rinse Fabric Softener	This cycle uses more water to flush out allergens, such as dust mites or pet dander, from normally soiled garments. This cycle removes more than 95% of allergens.
Swimsuits, items that need rinsing only	Rinse/Drain & Spin		Max Extract Medium Low No Spin		Extra Rinse	Use Rinse/Drain & Spin with the Extra Rinse option turned on to get a deep rinse followed by a high-speed spin. The time display will include an estimate of how long it will take to fill and drain the washer.
Wet load of clothes	Rinse/Drain & Spin		Max Extract Medium Low			Use Rinse/Drain & Spin to remove excess water from the load by choosing Rinse/Drain & Spin and turning off Extra Rinse. This cycle may help shorten drying times for some heavy fabrics or special-care items. Spin speed can be set to a lower setting. Rinse/Drain & Spin may also be used for draining the washer after canceling a cycle or completing a cycle after a power failure.
No clothes in washer	Clean Washer with affresh®					Use this cycle every 30 washes to keep the inside of your washer fresh and clean. This cycle uses a higher water level. Use with affresh® Washer Cleaner tablet or liquid chlorine bleach to thoroughly clean the inside of your washer. This cycle should not be interrupted. See "Washer Care." IMPORTANT: Do not place garments or other items in the washer during the Clean Washer with affresh® cycle. Use this cycle with an empty wash tub.

* Wash temperatures vary according to the chosen cycle setting. All cycle settings use a cold rinse temperature.

*** Not all models default to the same Soil Level setting. Some models will default to Heavy on this cycle.

USING YOUR WASHER

⚠ WARNING



Fire Hazard

Never place items in the washer that are dampened with gasoline or other flammable fluids.

No washer can completely remove oil.

Do not dry anything that has ever had any type of oil on it (including cooking oils).

Doing so can result in death, explosion, or fire.

⚠ WARNING



Electrical Shock Hazard

Plug into a grounded 3 prong outlet.

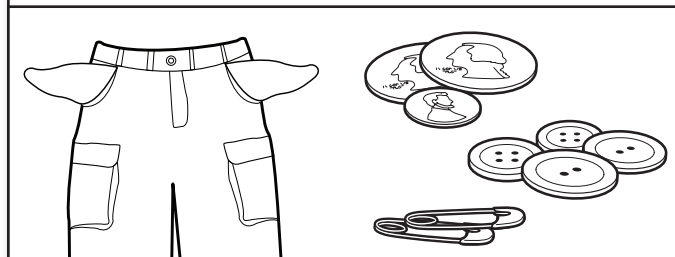
Do not remove ground prong.

Do not use an adapter.

Do not use an extension cord.

Failure to follow these instructions can result in death, fire, or electrical shock.

1. Sort and prepare your laundry



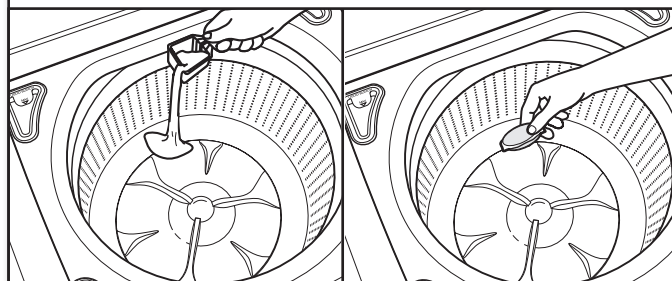
- Empty pockets. Loose change, buttons, or any small object can pass under the washplate and become trapped, causing unexpected sounds.
- Sort garments by recommended cycle, water temperature, and colorfastness.
- Separate heavily soiled garments from lightly soiled.
- Separate delicate garments from sturdy fabrics.
- Do not dry garments if stains remain after washing; heat can set stains into fabric.
- Treat stains promptly.
- Close zippers, fasten hooks, tie strings and sashes. Remove non-washable trim and ornaments.
- Mend rips and tears to avoid further damage to garments during washing.

Helpful Tips:

- When washing water-proof or water-resistant items, load evenly. See "Cycle Guide" for tips and more information on using the Bulky cycle.
- Use mesh bags to help avoid tangling when washing delicate or small items.
- Turn knits inside out to avoid pilling. Separate lint-takers from lint-givers. Synthetics, knits, and corduroy fabrics will pick up lint from towels, rugs, and chenille fabrics.

NOTE: Always read and follow fabric care labels instructions to avoid damage to your garments.

2. Add laundry products

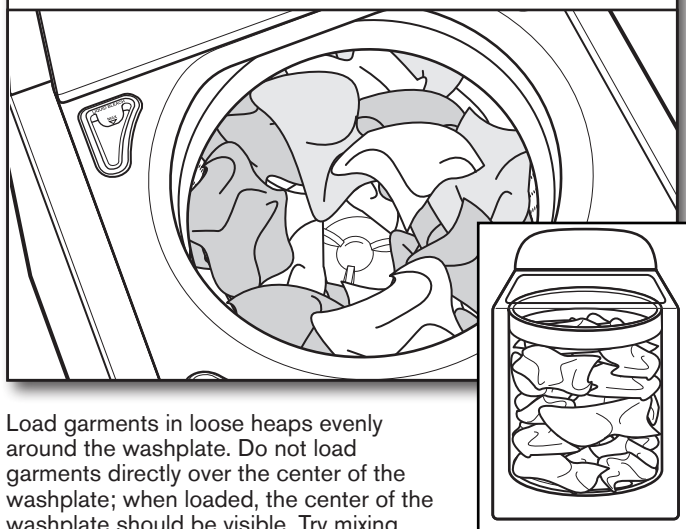


Add a measured amount of detergent or single-dose laundry packet into the basket.

If using Oxi-type boosters, color-safe bleach, or fabric softener crystals, add to the bottom of the washer basket before adding clothes.

NOTE: Follow the manufacturer's instructions to determine the amount of laundry products to use.

3. Load laundry into washer

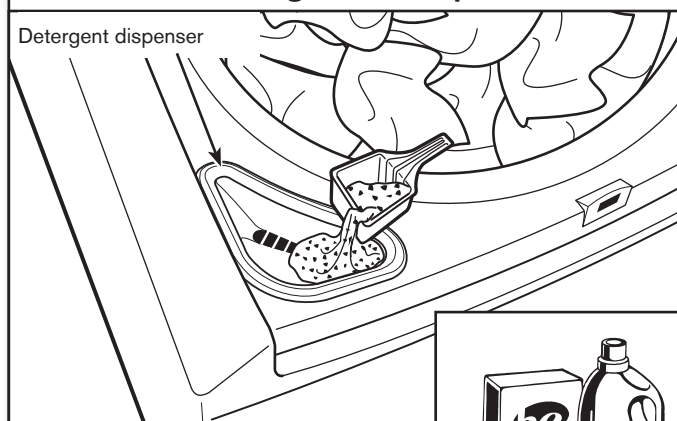


Load garments in loose heaps evenly around the washplate. Do not load garments directly over the center of the washplate; when loaded, the center of the washplate should be visible. Try mixing different sized garments to reduce tangling.

IMPORTANT: Garments need to move freely for best cleaning and to reduce wrinkling and tangling.

NOTE: Do not add single-dose laundry packets, Oxi-type boosters, or fabric softener crystals to dispensers. They will not dispense correctly.

4. Add HE detergent to dispenser

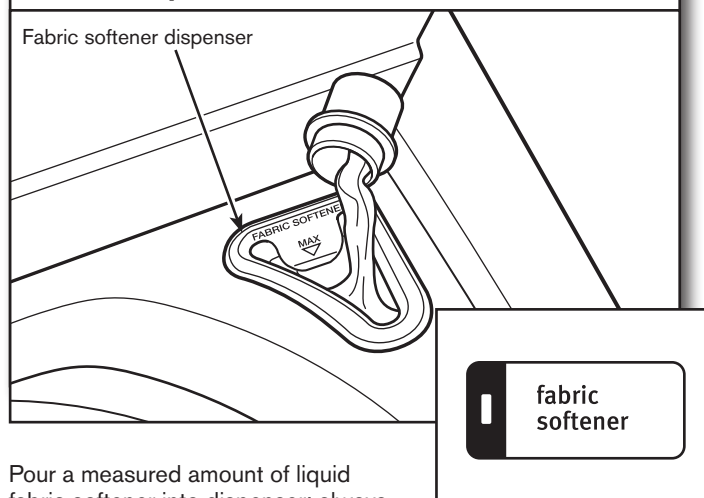


Add a measured amount of HE detergent into detergent dispenser.

IMPORTANT: Use only High Efficiency detergents. The package will be marked "HE" or "High Efficiency." Low-water washing creates excessive sudsing with a regular non-HE detergent. Using regular detergent will likely result in longer cycle times and reduced rinsing performance. It may also result in component failures and noticeable mold or mildew. HE detergents are made to produce the right amount of suds for the best performance. Follow the manufacturer's instructions to determine the amount of detergent to use.

HELPFUL TIP: See "Washer Maintenance" for information on recommended method of cleaning washer dispensers.

6. Add liquid fabric softener to dispenser



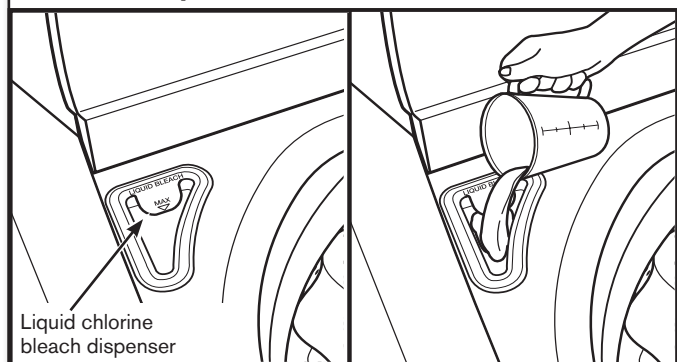
Pour a measured amount of liquid fabric softener into dispenser; always follow manufacturer's directions for correct amount of fabric softener based on your load size. Then select Fabric Softener option.

IMPORTANT: Fabric Softener option must be selected to ensure proper distribution at correct time in cycle. Do not overfill or dilute. Overfilling dispenser will cause fabric softener to immediately dispense into washer.

If Extra Rinse option is selected, fabric softener will be dispensed in the last rinse.

NOTE: Do not use liquid fabric softener dispenser balls in this washer. They will not dispense correctly.

5. Add liquid chlorine bleach to dispenser

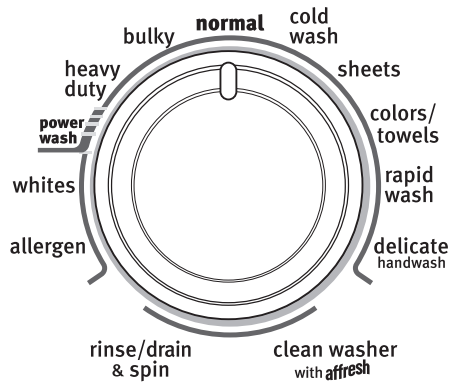


Do not overfill, dilute, or use more than 3/4 cup (180 mL). For maximum soil and stain removal, you may use the liquid chlorine bleach dispenser for liquid chlorine bleach or color-safe bleach.

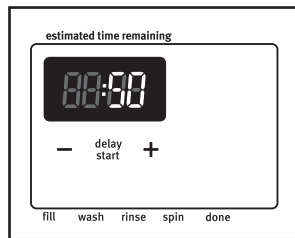
7. Press POWER/CANCEL to turn on washer



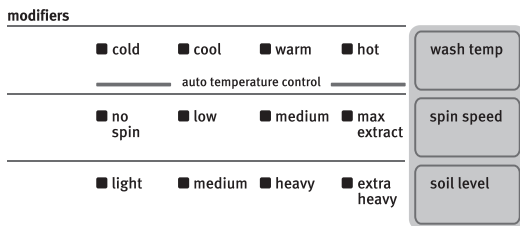
8. Select cycle



Turn cycle knob to choose your wash cycle. Estimated Time Remaining will light up with a cycle time. You may notice time adjusting during the cycle. This is normal.



9. Select cycle modifiers



Once you select a cycle, the default settings for that cycle will be lit. Press the Modifier buttons to change the Wash Temp, Spin Speed, and Soil Level, if desired. Not all settings are available with all cycles.

NOTE: Always read and follow fabric care label instructions to avoid damage to your garments.

Wash Temp	Suggested Fabrics
Hot Some cold water is added to save energy. This may be cooler than your hot water heater setting.	Whites and pastels Durable garments Heavy soils
Warm Some cold water will be added, so this may be cooler than what your previous washer provided.	Bright colors Moderate to light soils
Cool Warm water is added to assist in soil removal and to help dissolve detergents	Colors that bleed or fade Light soils
Cold Warm water may be added to assist in soil removal and to help dissolve detergents	Dark colors that bleed or fade Light soils

10. Select cycle options



Select any other cycle options you may wish to add, if not previously set. Some cycles will automatically add certain options such as Extra Rinse. These may be turned off, if desired.

NOTE: Not all options are available with all cycles.

11. Press START/PAUSE to begin wash cycle



Press the START/PAUSE button to start the wash cycle. When the cycle has finished, the end of cycle signal will sound (if set). Promptly remove garments when cycle is done to avoid odor, reduce wrinkling, and rusting of metal hooks, zippers, and snaps.

If lid is left open for more than 10 minutes, the water will pump out.

WASHER MAINTENANCE

WATER INLET HOSES

Replace inlet hoses after 5 years of use to reduce the risk of hose failure. Periodically inspect and replace inlet hoses if bulges, kinks, cuts, wear, or leaks are found.

When replacing your inlet hoses, mark the date of replacement on the label with a permanent marker.

NOTE: This washer does not include inlet hoses. See the Installation Instructions for more information.

WASHER CARE

Recommendations to Help Keep Your Washer Clean and Performing at its Best

1. Always use High Efficiency (HE) detergents and follow the HE detergent manufacturer's instructions regarding the amount of HE detergent to use. Never use more than the recommended amount because that may increase the rate at which detergent and soil residue accumulate inside your washer, which in turn may result in undesirable odor.
2. Use warm and hot wash water settings sometimes (not exclusively cold water washes), because they do a better job of controlling the rate at which soils and detergent accumulate.
3. Always leave the washer lid open between uses to help dry out the washer and prevent the buildup of odor-causing residue.

Cleaning Your Top Loading Washer

Read these instructions completely before beginning the routine cleaning processes recommended below. This Washer Maintenance Procedure should be performed, at a minimum, once per month or every 30 wash cycles, whichever occurs sooner, to control the rate at which soils and detergent may otherwise accumulate in your washer.

Cleaning the Inside of the Washer

To keep your washer odor-free, follow the usage instructions provided above, and use this recommended monthly cleaning procedure:

Clean Washer Cycle

This washer has a special cycle that uses higher water volumes in combination with affresh® Washer Cleaner or liquid chlorine bleach to clean the inside of the washer.

Begin procedure

1. **affresh® Washer Cleaner Cycle Procedure (Recommended for Best Performance):**
 - a. Open the washer lid and remove any clothing or items.
 - b. Place an affresh® Washer Cleaner tablet in the bottom of the washer basket.
 - c. Do not place an affresh® Washer Cleaner tablet in the detergent dispenser.
 - d. Do not add any detergent or other chemical to the washer when following this procedure.
 - e. Close the washer lid.
 - f. Select the CLEAN WASHER cycle.
 - g. Press the START/PAUSE button to begin the cycle. The Clean Washer Cycle Operation is described below.

NOTE: For best results, do not interrupt cycle. If cycle must be interrupted, press POWER/CANCEL. (For models with no Power/Cancel button, press and hold START/PAUSE for three seconds). After the Clean Washer cycle has stopped, run a Rinse/Drain & Spin cycle to rinse cleaner from washer.

WASHER CARE (cont.)

2. Chlorine Bleach Procedure (Alternative):

- a. Open the washer lid and remove any clothing or items.
- b. Add 1 cup (236 mL) of liquid chlorine bleach to the bleach compartment.

NOTE: Use of more liquid chlorine bleach than is recommended above could cause washer damage over time.

- c. Close the washer lid.
- d. Do not add any detergent or other chemical to the washer when following this procedure.
- e. Select the CLEAN WASHER cycle.
- f. Press the START/PAUSE button to begin the cycle. The Clean Washer Cycle Operation is described below.

NOTE: For best results, do not interrupt cycle. If cycle must be interrupted, press POWER/CANCEL. (For models with no Power/Cancel button, press and hold START/PAUSE for three seconds). After the Clean Washer cycle has stopped, run a Rinse/Drain & Spin cycle to rinse cleaner from washer.

Description of Clean Washer Cycle Operation:

1. This cycle will fill to a water level higher than in normal wash cycles to provide rinsing at a level above the water line for normal wash cycle.
2. During this cycle, there will be some agitation and spinning to increase the removal of soils.

After this cycle is complete, leave the lid open to allow for better ventilation and drying of the washer interior.

Cleaning the Dispensers

After a period of using your washer, you may find some residue buildup in the washer's dispensers. To remove residue from the dispensers, wipe them with a damp cloth and towel dry. Do not attempt to remove the dispensers or trim for cleaning. The dispensers and trim are not removable. If your model has a dispenser drawer, however, remove the drawer and clean it before or after you run the Clean Washer cycle. Use an all-purpose surface cleaner, if needed.

Cleaning the Outside of the Washer

Use a soft, damp cloth or sponge to wipe away any spills. Use only mild soaps or cleaners when cleaning external washer surfaces.

IMPORTANT: To avoid damaging the washer's finish, do not use abrasive products.

NON-USE AND VACATION CARE

Operate your washer only when you are home. If moving, or not using your washer for a period of time, follow these steps:

1. Unplug or disconnect power to washer.
2. Turn off water supply to washer, to avoid flooding due to water pressure surge.

WINTER STORAGE CARE

IMPORTANT: To avoid damage, install and store washer where it will not freeze. Because some water may stay in hoses, freezing can damage washer. If storing or moving during freezing weather, winterize your washer.

To winterize washer:

1. Shut off both water faucets; disconnect and drain water inlet hoses.
2. Put 1 qt. (1 L) of R.V.-type antifreeze in basket and run washer on RINSE/DRAIN & SPIN cycle for about 30 seconds to mix antifreeze and remaining water.
3. Unplug washer or disconnect power.

TRANSPORTING YOUR WASHER

1. Shut off both water faucets. Disconnect and drain water inlet hoses.
2. If washer will be moved during freezing weather, follow WINTER STORAGE CARE directions before moving.
3. Disconnect drain from drain system.
4. Unplug power cord.
5. Place inlet hoses inside washer basket.
6. Drape power cord and drain hose over the console and secure with masking tape.
7. Place foam packing ring from original shipping materials back inside washer. If you do not have packing ring, place heavy blankets or towels into basket opening. Close lid and place tape over lid and down front of washer. Keep lid taped until washer is placed in new location.

⚠ WARNING



Electrical Shock Hazard

Plug into a grounded 3 prong outlet.

Do not remove ground prong.

Do not use an adapter.

Do not use an extension cord.

Failure to follow these instructions can result in death, fire, or electrical shock.

REINSTALLING/USING WASHER AGAIN

To reinstall washer after non-use, vacation, winter storage or moving:

1. Refer to Installation Instructions to locate, level, and connect washer.
2. Before using again, run washer through the following recommended procedure:

To use washer again:

1. Flush water pipes and hoses. Reconnect water inlet hoses. Turn on both water faucets.
2. Plug in washer or reconnect power.
3. Run washer through BULKY cycle to clean washer and remove antifreeze, if used. Use only HE High Efficiency detergent. Use half the manufacturer's recommended amount for a medium-size load.

TROUBLESHOOTING

First try the solutions suggested here or visit our website to possibly avoid the cost of a service call.
In U.S.A. www.maytag.com/product_help – In Canada www.maytag.ca.

If you experience	Possible Causes	Solution
Vibration or Off-Balance		
Vibration, rocking, or "walking"	Feet may not be in contact with the floor and locked.	Front and rear feet must be in firm contact with floor, and washer must be level to operate properly. Jam nuts must be tight against the bottom of the cabinet.
	Washer may not be level.	Check floor for flexing or sagging. If flooring is uneven, a 3/4" (19 mm) piece of plywood under your washer will reduce sound. See "Level the Washer" in Installation Instructions.
Vibration during spinning or washer stopped with uL error code flashing	Load could be unbalanced.	Load garments in loose heaps evenly around the washplate. Do not load garments directly over the center of the washplate. Adding wet items to washer or adding more water to basket could unbalance washer.
		Avoid washing single items. Balance a single item such as a rug or jacket with a few extra items. If the uL error code is flashing, redistribute the load, close the lid, and press START/PAUSE.
		Do not tightly pack. Avoid washing single items.
		Use Bulky cycle for oversized, non-absorbent items such as comforters or poly-filled jackets. Other items are not appropriate for Bulky cycle. See "Cycle Guide."
		Item or load not suitable for selected cycle. See "Cycle Guide" and "Using Your Washer."
Noises - for normal operating sounds, go to www.maytag.com/help		
Clicking or metallic noises	Objects caught in washer drain system.	Empty pockets before washing. Loose items such as coins could fall between basket and tub or may block pump. It may be necessary to call for service to remove items.
		It is normal to hear metal items on clothing such as metal snaps, buckles, or zippers touch against the stainless steel basket.
Gurgling or humming	Washer may be draining water.	It is normal to hear the pump making a continuous humming sound with periodic gurgling or surging as final amounts of water are removed during the Drain & Spin cycles.
Water Leaks		
Check the following for proper installation:	Washer not level.	Water may splash off basket if washer is not level.
	Fill hoses not attached tightly.	Tighten fill-hose connection.
	Fill hose washers.	Make sure all four fill hose flat washers are properly seated.
	Drain hose connection.	Pull drain hose from washer cabinet and properly secure it to drainpipe or laundry tub.
		Do not place tape over drain opening.
	Check household plumbing for leaks or clogged sink or drain.	Water can back up out of a clogged sink or drainpipe. Check all household plumbing for leaks (laundry tubs, drain pipe, water pipes, and faucets.)
Washer not loaded as recommended.	An unbalanced load can cause basket to be out of alignment and cause water to splash off tub. See "Using Your Washer" for loading instructions.	
Washer not performing as expected		
Not enough water in washer	Load not completely covered in water.	This is normal operation for an HE low-water washer. The load will not be completely under water. The washer senses load sizes and adds correct amount of water for optimal cleaning. See "What's New under the Lid." IMPORTANT: Do not add more water to washer. The added water lifts the load off the washplate, resulting in less cleaning.
Washer won't run or fill, washer stops working	Check for proper water supply.	Both hoses must be attached and have water flowing to inlet valve.
		Both hot and cold water faucets must be turned on.
		Check that inlet valve screens have not become clogged.
		Check for any kinks in inlet hoses, which can restrict water flow.

⚠ WARNING



Electrical Shock Hazard

Plug into a grounded 3 prong outlet.

Do not remove ground prong.

Do not use an adapter.

Do not use an extension cord.

Failure to follow these instructions can result in death, fire, or electrical shock.

TROUBLESHOOTING

First try the solutions suggested here or visit our website to possibly avoid the cost of a service call.
In U.S.A. www.maytag.com/product_help – In Canada www.maytag.ca.

If you experience	Possible Causes	Solution
Washer not performing as expected (cont.)		
Washer won't run or fill, washer stops working (cont.)	Check proper electrical supply.	Plug power cord into a grounded 3-prong outlet.
		Do not use an extension cord.
		Ensure there is power to outlet.
		Reset a tripped circuit breaker. Replace any blown fuses. NOTE: If problems continue, contact an electrician.
	Normal washer operation.	Lid must be closed for washer to run.
		Washer will pause during certain phases of cycle. Do not interrupt cycle.
		Washer may be stopped to reduce suds.
	Washer may be tightly packed.	Remove several items, rearrange load evenly around the washplate. Do not load garments directly over the center of the wash plate. Close lid and press START/PAUSE.
		Add only 1 or 2 additional garments after washer has started.
		Do not add more water to the washer.
	Not using HE detergent or using too much HE detergent.	Only use HE detergent. Suds from regular detergents can slow or stop the washer. Always measure detergent and following detergent directions based on your load requirements.
		To remove suds, cancel cycle. Select RINSE/DRAIN & SPIN. Select your cycle. Press START/PAUSE. Do not add more detergent.
Washer not draining/spinning, loads are still wet	Empty pockets and use garment bags for small items.	Small items may have been caught in pump or between basket and tub, which can slow draining.
	Using cycles with a lower spin speed.	Cycles with lower spin speeds remove less water than cycles with high spin speeds. Use the recommended cycle/speed spin for your garment.
	Washer may be tightly packed or unbalanced.	Tightly packed loads may not allow the washer to spin correctly, leaving the load wetter than normal. Evenly arrange the wet load for balanced spinning. Select RINSE/DRAIN & SPIN to remove excess water. See "Using Your Washer" for loading recommendations.
	Check plumbing for correct drain hose installation. Drain hose extends into standpipe farther than 4.5" (114 mm).	Check drain hose for proper installation. Use drain hose form and securely attach to drainpipe or tub. Do not tape over drain opening. Lower drain hose if the end is higher than 96" (2.4 m) above the floor. Remove any clogs from drain hose.

TROUBLESHOOTING

First try the solutions suggested here or visit our website to possibly avoid the cost of a service call.
In U.S.A. www.maytag.com/product_help – In Canada www.maytag.ca.

If you experience	Possible Causes	Solution
Washer not performing as expected (cont.)		
Washer not draining/spinning, loads are still wet (cont.)	Not using HE detergent or using too much HE detergent.	Suds from regular detergent or using too much detergent can slow or stop draining or spinning. Use only HE detergent. Always measure and follow detergent directions for your load. To remove extra suds, select RINSE/DRAIN & SPIN. Do not add detergent.
Incorrect or wrong wash or rinse temperatures	Check for proper water supply.	Make sure hot and cold inlet hoses are not reversed.
		Both hoses must be attached to both washer and faucet, and have both hot and cold water flowing to inlet valve.
		Check that inlet valve screens are not clogged.
		Remove any kinks in hoses.
Energy-saving controlled wash temperatures.	ENERGY STAR® qualified washers use cooler wash and rinse water temperatures than traditional top-load washers. This includes cooler hot and warm washes.	
Load not rinsed	Check for proper water supply.	Make sure hot and cold inlet hoses are not reversed.
		Both hoses must be attached and have water flowing to the inlet valve.
		Both hot and cold water faucets must be on.
		Inlet valve screens on washer may be clogged.
		Remove any kinks in the inlet hose.
	Not using HE detergent or using too much HE detergent.	The suds from regular detergent can cause the washer to operate incorrectly.
		Use only HE detergent. Be sure to measure correctly.
		Always measure detergent and follow detergent directions based on load size and soil level.
	Washer may be tightly packed.	The washer is less efficient at rinsing when load is tightly packed.
		Load garments in loose heaps evenly around the washplate. Do not load garments directly over the center of the washplate.
Use cycle designed for the fabrics being washed.		
Add only 1 or 2 additional garments after washer has started.		
Fabric softener option not selected.	When using fabric softener, be sure the Fabric Softener option is selected.	
Sand, pet hair, lint, etc. on load after washing	Heavy sand, pet hair, lint, and detergent or bleach residues may require additional rinsing.	Add an Extra Rinse to the selected cycle.
Load is tangling	Washer not loaded as recommended.	Load garments in loose heaps evenly around the washplate. Do not load garments directly over the center of the washplate.
		Reduce tangling by mixing types of load items. Use the recommended cycle for the type of garments being washed.
Wash action and/or spin speed too fast for load.	Select a cycle with a slower wash action and slower spin speed. Note that items will be wetter than when using a higher speed spin.	
Not cleaning or removing stains	Load not completely covered in water.	This is normal operation for an HE low-water washer. The load will not be completely under water. The washer senses load sizes and adds correct amount of water for optimal cleaning. See "What's New under the Lid."
	Added more water to washer.	Do not add additional water to washer. Additional water lifts the laundry off the washplate, resulting in less cleaning.
	Washer not loaded as recommended.	Load garments in loose heaps evenly around the washplate. Do not load garments directly over the center of the washplate.
		Add only 1 or 2 additional garments after washer has started.
Not using HE detergent or using too much HE detergent.	The suds from regular detergent can prevent washer from operating correctly.	

TROUBLESHOOTING

First try the solutions suggested here or visit our website to possibly avoid the cost of a service call.
 In U.S.A. www.maytag.com/product_help – In Canada www.maytag.ca.

If you experience	Possible Causes	Solution	
Washer not performing as expected (cont.)			
Not cleaning or removing stains (cont.)	Not using HE detergent or using too much HE detergent. (cont.)	Use only HE detergent. Be sure to measure correctly. Always measure detergent and follow detergent directions based on load size and soil level.	
	Not using correct cycle for fabric type.	Use a higher soil level cycle option and warmer wash temperature to improve cleaning. If using Rapid Wash cycle, wash only a few items. Use Power Wash, Whites, or Heavy Duty cycle for tough cleaning. See the "Cycle Guide" to match your load with the best cycle.	
	Not using dispensers.	Use dispensers to avoid chlorine bleach and fabric softener staining. Load dispensers before starting a cycle. Avoid overfilling. Do not add products directly onto load.	
	Not washing like colors together.	Wash like colors together and remove promptly after the cycle is complete to avoid dye transfer.	
	Odors	Clean washer maintenance not done as recommended.	Run the Clean Washer with affresh® cycle after every 30 washes. See "Washer Care" in "Washer Maintenance." Unload washer as soon as cycle is complete.
		Not using HE detergent or using too much HE detergent.	Use only HE detergent. Be sure to measure correctly. Always follow the detergent directions. See "Washer Care" section.
		Fabric Damage	Sharp items were in pockets during wash cycle.
	Strings and straps could have tangled.		Tie all strings and straps before starting wash load.
	Items may have been damaged before washing.		Mend rips and broken threads in seams before washing.
	Fabric damage can occur if the load is tightly packed.		Load garments in loose heaps evenly around the washplate. Do not load garments directly over the center of the washplate.
			Use cycle designed for the fabrics being washed.
			Add only 1 or 2 additional garments after washer has started.
Garment care instructions may not have been followed.	Always read and follow garment manufacturer's care label instructions. See the "Cycle Guide" to match your load with the best cycle.		
Liquid chlorine bleach may have been added incorrectly.	Do not pour liquid chlorine bleach directly onto load. Wipe up bleach spills.		
	Undiluted bleach will damage fabrics. Do not use more than recommended by manufacturer.		
	Do not place load items on top of bleach dispenser when loading and unloading washer.		
Incorrect dispenser operation	Clogged dispensers or laundry products dispensing too soon.	Do not overfill dispenser. Overfilling causes immediate dispensing.	
		Always select FABRIC SOFTENER option to ensure proper dispensing.	
		Load dispensers before starting a cycle.	
		It is normal for small amounts of water to be remain in dispenser at the end of the cycle.	
		Homes with low water pressure may result in residual powder in the dispenser. To avoid, select a warmer wash temperature if possible, depending on your load.	

TROUBLESHOOTING

First try the solutions suggested here or visit our website to possibly avoid the cost of a service call.
In U.S.A. www.maytag.com/product_help – In Canada www.maytag.ca.

If you experience	Possible Causes	Solution
Washer not performing as expected (cont.)		
Incorrect dispenser operation (cont.)	Liquid chlorine bleach not used in dispenser.	Use liquid chlorine bleach only in the liquid chlorine bleach dispenser.
Single-dose laundry packet not dissolving	Adding laundry packet incorrectly	Be sure laundry packet is added to washer basket before adding clothes. Do not add packet to dispenser. Follow the manufacturer's instructions to avoid damage to your garments.
Error Code Appears in Display		
oL (overloaded) appears in display	Load too large.	If an overload is detected, the washer will drain any water and detergent in the washer. Remove several items and add HE detergent. Close lid and press START/PAUSE.
uL (unbalanced load) appears in display	Load not balanced. The washer is running a load-balance correction routine.	Allow the washer to continue. If the dial is flashing and the washer has stopped, redistribute the load, close the lid, and press START/PAUSE.
LF (too long to fill) appears in display	Washer taking too long to fill. Drain extends more than 4.5" (114 mm) into standpipe.	Check plumbing for correct drain hose installation. Use drain hose form and attach securely to drainpipe or tub. Do not tape over drain opening. See Installation Instructions.
Ld (too long to drain water) appears in display	Washer taking too long to drain water. Drain extends more than 4.5" (114 mm) into standpipe.	Check plumbing for correct drain hose installation. Use drain hose form and attach securely to drainpipe or tub. Do not tape over drain opening. See Installation Instructions.
		Lower drain hose if the end is higher than 96" (2.4 m) above the floor. Remove any clogs from drain hose. See Installation Instructions.
HC (Hot and Cold hoses reversed) appears in display	Hot and cold inlet hoses have been installed incorrectly.	This code will appear at the end of the wash cycle to indicate that cold water hose is connected to the hot water inlet and hot water hose is connected to the cold water inlet.
Sd (Excess suds) appears in display	Excessive suds in washer. Washer is running a suds reduction routine.	Allow the washer to continue. Use only HE detergent. Always measure detergent, and base detergent quantity on load size. Follow detergent manufacturer's instructions. If the dial is flashing, reselect your desired cycle using a cold wash temperature, and press START/PAUSE. Do not add detergent.
dL (Lid cannot lock) appears in display	An item in the load may be keeping the lid from locking.	Check for items directly under the lid.
lid (Lid opened) appears in display	Washer lid left open.	Close the lid to clear the display. If the lid is left open for more than 10 minutes, the cycle will reset and water in the washer will drain.
dU (Lid cannot unlock) appears in display	Objects on washer lid prevent it from unlocking.	Remove objects, such as a basket of laundry, from the top of the washer.
F## code (F-type error code) appears in display	System error code.	Press START/PAUSE once to clear the code. Then press START/PAUSE again to restart washer. If code appears again, call for service.
Fd (Factory Default)	Washer sets back to factory default.	To return all options and modifiers to Factory Default, press POWER/CANCEL, select RINSE/DRAIN & SPIN cycle, and then press EXTRA RINSE, FABRIC SOFTENER, EXTRA RINSE, FABRIC SOFTENER within 5 seconds. When done correctly, the display shows "Fd" for 3 seconds and then unit returns to Standby Mode.

ACCESSORIES

See Installation Instructions for installation accessories

Part Number:	Accessory
8212526	Washer drip tray, fits under all
31682	All-purpose appliance cleaner
1903WH	Laundry supply storage cart

MAYTAG® LAUNDRY LIMITED WARRANTY

This Maytag Limited Warranty supersedes and replaces the limited warranty printed in the Use and Care Guide for products sold within the United States of America and Canada.

FIRST YEAR LIMITED WARRANTY (PARTS AND LABOR)

For one year from the date of purchase, when this major appliance is installed, operated, and maintained according to instructions attached to or furnished with the product, Maytag brand of Whirlpool Corporation or Whirlpool Canada LP (hereafter "Maytag") will pay for factory specified parts and repair labor to correct defects in materials or workmanship that existed when this major appliance was purchased.

SECOND THROUGH TENTH YEAR LIMITED WARRANTY (DRIVE MOTOR AND WASH BASKET ONLY - LABOR NOT INCLUDED)

In the second through tenth years from the date of original purchase, when this major appliance is installed, operated, and maintained according to instructions attached to or furnished with the product, Maytag will pay for the replacement of the wash basket drive motor and stainless steel wash basket (side walls only) to correct non-cosmetic defects in materials or workmanship in these parts that prevent function of the washer and that existed when this major appliance was purchased. This limited 10-year warranty on the wash basket drive motor and stainless steel wash basket (side walls only) does not include labor.

YOUR SOLE AND EXCLUSIVE REMEDY UNDER THIS LIMITED WARRANTY SHALL BE PRODUCT REPAIR AS PROVIDED HEREIN. Service must be provided by a Maytag designated service company. This limited warranty is valid only in the United States or Canada and applies only when the major appliance is used in the country in which it was purchased. This limited warranty is effective from the date of original consumer purchase. Proof of original purchase date is required to obtain service under this limited warranty.

ITEMS EXCLUDED FROM WARRANTY

This limited warranty does not cover:

1. Replacement parts or repair labor if this major appliance is used for other than normal, single-family household use or when it is used in a manner that is inconsistent to published user or operator instructions and/or installation instructions.
 2. Service calls to correct the installation of your major appliance, to instruct you on how to use your major appliance, to replace or repair house fuses, or to correct house wiring or plumbing.
 3. Service calls to repair or replace appliance light bulbs, air filters or water filters. Consumable parts are excluded from warranty coverage.
 4. Damage resulting from accident, alteration, misuse, abuse, fire, flood, acts of God, improper installation, installation not in accordance with electrical or plumbing codes, or use of products not approved by Maytag.
 5. Cosmetic damage, including scratches, dents, chips or other damage to the finish of your major appliance, unless such damage results from defects in materials or workmanship and is reported to Maytag within 30 days from the date of purchase.
 6. Pick up and delivery. This major appliance is intended to be repaired in your home.
 7. Repairs to parts or systems resulting from unauthorized modifications made to the appliance.
 8. Expenses for travel and transportation for product service if your major appliance is located in a remote area where service by an authorized Maytag servicer is not available.
 9. The removal and reinstallation of your major appliance if it is installed in an inaccessible location or is not installed in accordance with Maytag's published installation instructions.
 10. Replacement parts or repair labor on major appliances with original model/serial numbers that have been removed, altered, or cannot be easily determined.
-

DISCLAIMER OF IMPLIED WARRANTIES

IMPLIED WARRANTIES, INCLUDING ANY IMPLIED WARRANTY OF MERCHANTABILITY OR IMPLIED WARRANTY OF FITNESS FOR A PARTICULAR PURPOSE, ARE LIMITED TO ONE YEAR OR THE SHORTEST PERIOD ALLOWED BY LAW. Some states and provinces do not allow limitations on the duration of implied warranties of merchantability or fitness, so this limitation may not apply to you. This warranty gives you specific legal rights, and you also may have other rights that vary from state to state or province to province.

LIMITATION OF REMEDIES; EXCLUSION OF INCIDENTAL AND CONSEQUENTIAL DAMAGES

YOUR SOLE AND EXCLUSIVE REMEDY UNDER THIS LIMITED WARRANTY SHALL BE PRODUCT REPAIR AS PROVIDED HEREIN. MAYTAG SHALL NOT BE LIABLE FOR INCIDENTAL OR CONSEQUENTIAL DAMAGES. Some states and provinces do not allow the exclusion or limitation of incidental or consequential damages, so these limitations and exclusions may not apply to you. This warranty gives you specific legal rights, and you also may have other rights that vary from state to state or province to province.

If outside the 50 United States and Canada, contact your authorized Maytag dealer to determine if another warranty applies.

If you think you need repair service, first see the "Troubleshooting" section of the Use & Care Guide. If you are unable to resolve the problem after checking "Troubleshooting," additional help can be found by checking the "Assistance or Service" section or by calling Maytag. In the U.S.A., call **1-800-688-9900**. In Canada, call **1-800-807-6777**. 06/10

SÉCURITÉ DE LA LAVEUSE

Votre sécurité et celle des autres est très importante.

Nous donnons de nombreux messages de sécurité importants dans ce manuel et sur votre appareil ménager. Assurez-vous de toujours lire tous les messages de sécurité et de vous y conformer.



Voici le symbole d'alerte de sécurité.

Ce symbole d'alerte de sécurité vous signale les dangers potentiels de décès et de blessures graves à vous et à d'autres.

Tous les messages de sécurité suivront le symbole d'alerte de sécurité et le mot "DANGER" ou "AVERTISSEMENT". Ces mots signifient :

! DANGER

Risque possible de décès ou de blessure grave si vous ne suivez pas immédiatement les instructions.

! AVERTISSEMENT

Risque possible de décès ou de blessure grave si vous ne suivez pas les instructions.

Tous les messages de sécurité vous diront quel est le danger potentiel et vous disent comment réduire le risque de blessure et ce qui peut se produire en cas de non-respect des instructions.

IMPORTANTES INSTRUCTIONS DE SÉCURITÉ

AVERTISSEMENT : Pour réduire les risques d'incendie, de choc électrique ou de blessures lors de l'utilisation de la laveuse, suivre les précautions fondamentales dont les suivantes :

- Lire toutes les instructions avant d'utiliser la laveuse.
- Ne pas laver des articles qui ont été nettoyés ou lavés avec de l'essence ou imbibés d'essence, solvants de nettoyage à sec, ou autres substances inflammables ou explosives; ces substances peuvent émettre des vapeurs susceptibles de s'enflammer ou d'exploser.
- Ne pas ajouter d'essence, solvant de nettoyage à sec ou autre produit inflammable ou explosif dans l'eau de lavage. Ces substances peuvent émettre des vapeurs susceptibles de s'enflammer ou d'exploser.
- Dans certaines conditions, de l'hydrogène gazeux peut se former dans un circuit d'eau chaude qui n'a pas été utilisé pendant 2 semaines ou plus. LE GAZ HYDROGÈNE EST EXPLOSIBLE. Si le circuit d'eau chaude n'a pas été utilisé pendant une telle période, avant d'utiliser la laveuse, ouvrir tous les robinets d'eau chaude et laisser l'eau s'écouler pendant plusieurs minutes par chaque robinet. Ceci permettra l'évacuation de l'hydrogène gazeux accumulé. Comme ce gaz est inflammable, ne pas fumer ou utiliser une flamme nue au cours de cette période.
- Ne pas laisser des enfants jouer sur ou à l'intérieur de la laveuse. Bien surveiller les enfants lorsque la laveuse est utilisée à proximité d'enfants.
- Avant de mettre la laveuse au rebut ou hors de service, enlever la porte ou le couvercle.
- Ne pas tenter d'atteindre un article à l'intérieur de la cuve de la laveuse lorsque le tambour, la cuve ou l'agitateur est en mouvement.
- Ne pas installer ou remiser cette laveuse à un endroit où elle serait exposée aux intempéries.
- Ne pas modifier les organes de commande.
- Ne pas réparer ou remplacer un composant quelconque de la laveuse, ni entreprendre une opération de service, si ce n'est spécifiquement recommandé dans ce manuel ou dans un manuel d'instructions de réparations destiné à l'utilisateur; il est alors essentiel que la personne concernée comprenne ces instructions et soit compétente pour les exécuter.
- Pour les instructions de liaison à la terre, voir "Spécifications électriques" dans les instructions d'installation.

CONSERVEZ CES INSTRUCTIONS

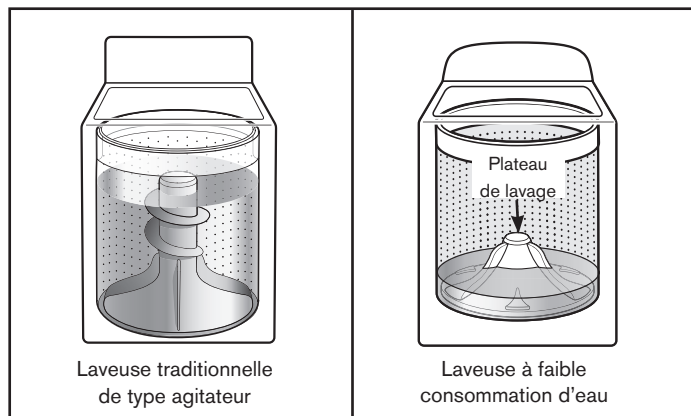
Avertissements de la proposition 65 de l'État de Californie :

AVERTISSEMENT : Ce produit contient au moins un produit chimique connu par l'État de Californie pour être à l'origine de cancers.

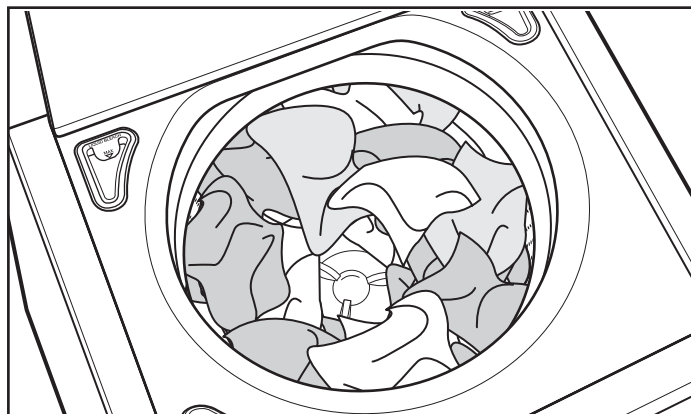
AVERTISSEMENT : Ce produit contient au moins un produit chimique connu par l'État de Californie pour être à l'origine de malformations et autres déficiences de naissance.

QUOI DE NEUF SOUS LE COUVERCLE?

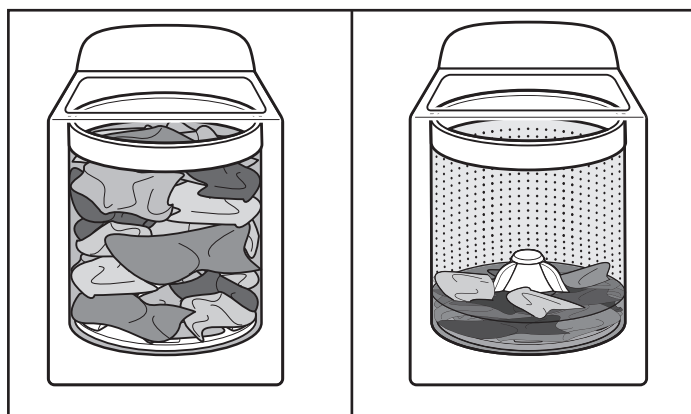
Laver avec moins d'eau



La nouveauté la plus remarquable de cette nouvelle laveuse est son système de lavage à faible consommation d'eau avec plateau de lavage. La laveuse ajuste automatiquement le niveau d'eau en fonction de la taille de la charge – nul besoin de sélecteur de niveau d'eau.



Charger les vêtements sans les tasser et de façon uniforme le long du plateau de lavage. Ne pas placer les vêtements directement au centre du plateau de lavage – celui-ci doit être visible.



À mesure que la laveuse imbibe et déplace la charge, les vêtements se tassent dans le panier. Ceci est normal et ne signifie pas que l'on doit rajouter des vêtements.

IMPORTANT : Le panier de la laveuse ne sera pas rempli d'eau, comme avec votre précédente laveuse de type agitateur. Il est normal qu'une partie de la charge dépasse du niveau d'eau.

Contrôle du niveau d'eau INTELLIFILL™

Une fois que l'on démarre le programme, le couvercle se verrouille et la laveuse entame un processus de détection pour corriger le niveau d'eau de la charge. Vous trouverez une description étape par étape dans la section "Témoins lumineux de programme".

Vous entendrez le moteur faire tourner le panier par de brefs mouvements d'impulsion pour bien imbiber la charge. Cette méthode de lavage à faible consommation d'eau utilise moins d'eau et d'énergie qu'une laveuse traditionnelle de type agitateur.

Commande automatique de température

La Commande Automatique de Température (CAT) régule la quantité d'eau chaude et d'eau froide entrante, ajustant les températures pour un nettoyage optimal et uniforme. La fonction CAT est automatiquement activée lorsqu'un programme est sélectionné.

Choix du détergent approprié

Utiliser uniquement des détergents Haute efficacité. L'emballage portera la mention "HE" ou "High Efficiency" (Haute efficacité). Un lavage avec faible consommation d'eau produit un excès de mousse avec un détergent ordinaire non HE. Il est probable que l'utilisation d'un détergent ordinaire prolongera la durée des programmes et réduira la performance de rinçage. Ceci peut aussi entraîner des défaillances des composants et une moisissure perceptible. Les détergents HE sont conçus pour produire la quantité de mousse adéquate pour le meilleur rendement. Suivre les recommandations du fabricant pour déterminer la quantité de détergent à utiliser.



Utiliser uniquement un détergent Haute efficacité (HE).

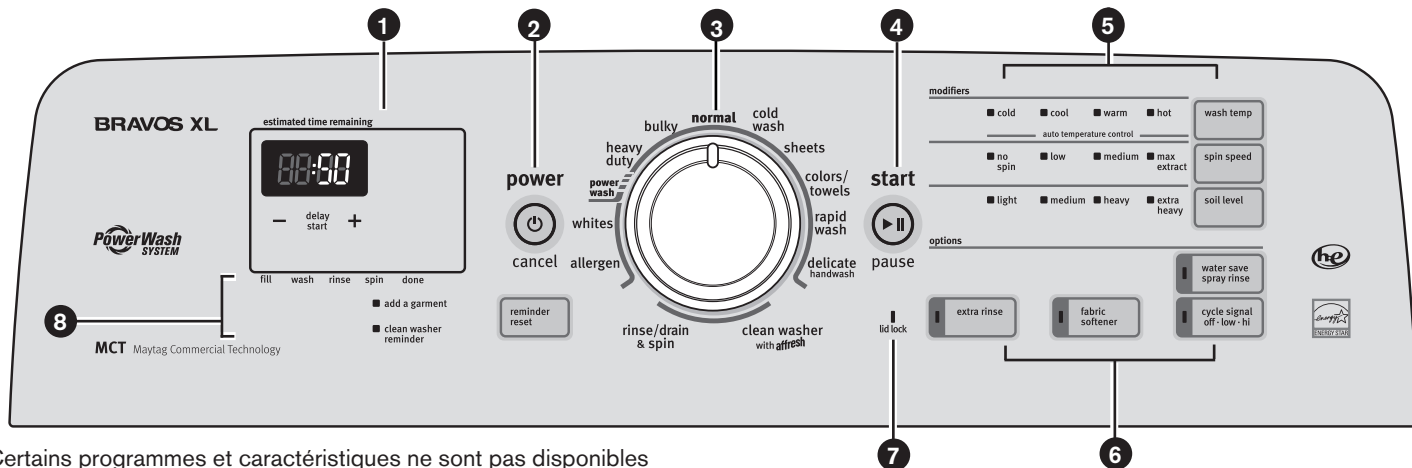
Nettoyage concentré

Un nettoyage avec faible niveau d'eau signifie un nettoyage concentré. Plutôt que de diluer du détergent comme dans une laveuse de type agitateur, cette laveuse libère le détergent directement sur les endroits souillés.

Sons normaux prévisibles

Au cours des différents stades du programme de lavage, vous entendrez peut-être des bruits que votre laveuse précédente ne produisait pas. Par exemple, vous entendrez peut-être un cliquetis et un bourdonnement au début du programme lorsque le système de verrouillage du couvercle effectue un test automatique. Différents bourdonnements et bruits de frottements rythmiques se produiront à mesure que le plateau de lavage déplace la charge. Parfois, il est possible que la laveuse soit complètement silencieuse, lorsqu'elle détermine le niveau d'eau adéquat ou qu'elle laisse tremper les vêtements.

TABLEAU DE COMMANDE ET CARACTÉRISTIQUES



Certains programmes et caractéristiques ne sont pas disponibles sur certains modèles.

1 ESTIMATED TIME REMAINING DISPLAY (Affichage de durée résiduelle estimée)

L'affichage de durée résiduelle estimée indique le temps nécessaire à l'achèvement du programme. Des facteurs tels que la taille de la charge et la pression de l'eau peuvent affecter la durée affichée. La laveuse peut également ajuster la durée du programme si le linge est tassé, la charge déséquilibrée ou si la mousse produite est excessive.

2 POWER/CANCEL BUTTON (Bouton de Mise sous tension/Annulation)

Appuyer sur ce bouton pour mettre la laveuse ON (en marche) ou pour OFF (L'éteindre).

3 BOUTON DE PROGRAMME DE LAVAGE

Utiliser le Bouton de programme de lavage pour sélectionner les programmes disponibles sur la laveuse. Tourner le bouton pour sélectionner un programme correspondant à la charge de linge. Voir "Guide de programmes" pour des descriptions de programmes détaillées.

4 START/PAUSE BUTTON (Bouton de Mise en marche/Pause)

Appuyer sur le bouton START/PAUSE (Mise en marche/Pause) pour démarrer le programme sélectionné. S'assurer que tous les modificateurs et options désirés ont été sélectionnés. Appuyer une fois sur START/PAUSE (Mise en marche/Pause) pour déverrouiller le couvercle et ajouter un vêtement. Appuyer sur START/PAUSE (Mise en marche/Pause) pour que le programme se termine. Le couvercle doit être fermé pour que la laveuse se mette en marche.

5 CYCLE MODIFIERS (Modificateurs de programme)

Les modificateurs de programme vous permettent de personnaliser vos programmes et d'économiser de l'énergie. Certains programmes, et options et modificateurs ne sont pas disponibles sur certains modèles.

WASH TEMP (Température de lavage)

Sélectionner une température de l'eau selon le type de charge à laver à l'aide de la touche Wash Temp (Température de lavage). Utiliser la température d'eau de lavage maximale que les tissus puissent supporter sans être endommagés. Suivre les instructions figurant sur l'étiquette d'entretien des vêtements.

Tous les programmes utilisent un rinçage à froid. Les rinçages à l'eau froide diminuent le risque de froissement et économisent de l'énergie.

REMARQUE : Dans les températures d'eau de lavage inférieures à 60°F (15,6°C), les détergents ne se dissolvent pas correctement. Les saletés peuvent être difficiles à enlever.

SPIN SPEED (Vitesse d'essorage)

Cette laveuse sélectionne automatiquement la vitesse d'essorage en fonction du programme sélectionné. Les vitesses pré-réglées peuvent être modifiées. Sur certains programmes, certaines vitesses d'essorage ne sont pas disponibles.

- Des vitesses d'essorage plus élevées signifient des durées de séchage plus courtes mais peuvent augmenter le froissement de la charge.

- Des vitesses d'essorage plus lentes signifient moins de froissement mais laissent la charge plus humide.

SOIL LEVEL (Niveau de saleté)

Le niveau de saleté (durée de lavage) est pré-réglé pour chaque programme de lavage. Lorsqu'on appuie sur la touche Soil Level (Niveau de saleté), la durée du programme (en minutes) augmente ou diminue sur l'afficheur de la durée résiduelle estimée et une durée de lavage différente apparaît.

Pour la plupart des charges, utiliser le niveau de saleté pré-réglé pour le programme choisi. Pour les tissus très sales et robustes, appuyer sur SOIL LEVEL (Niveau de saleté) pour prolonger la durée de lavage si nécessaire. Pour les tissus peu sales et délicats, appuyer sur SOIL LEVEL (Niveau de saleté) pour abréger la durée de lavage si nécessaire. Un réglage de niveau de saleté inférieur aidera à réduire l'emmêlement et le froissement.

6 OPTIONS DE PROGRAMME

Lorsqu'on sélectionne un programme, ses réglages par défaut s'allument. Certains programmes, options et modificateurs ne sont pas disponibles sur certains modèles.

WATER SAVE SPRAY RINSE (Rinçage par aspersion à faible consommation d'eau)

Utiliser cette option pour économiser de l'eau grâce à un rinçage par aspersion au lieu d'un rinçage en profondeur. Cette option est réglée par défaut sur certains programmes et peut être sélectionnée pour d'autres. Si l'on utilise de l'assouplissant pour tissu, toujours sélectionner le bouton FABRIC SOFTENER (Assouplissant pour tissu) ou sélectionner EXTRA RINSE (Rinçage supplémentaire); ces deux options distribueront l'assouplissant pour tissu dans un rinçage en profondeur.

EXTRA RINSE (Rinçage supplémentaire)

On peut utiliser cette option pour ajouter automatiquement un second rinçage à la plupart des programmes.

FABRIC SOFTENER (Assouplissant pour tissu)

Cette option doit être sélectionnée si l'on utilise de l'assouplissant pour tissu durant un programme. Ceci garantit que l'assouplissant pour tissu est ajouté au bon moment lors du rinçage pour être correctement diffusé.

CYCLE SIGNAL (Signal de programme)

Utiliser cette option pour ajuster le volume du signal qui retentit à la fin d'un programme. On peut sélectionner Hi (Fort), Low (Faible) ou Off (Arrêt) (aucun témoin allumé). Un signal sonore plus fort peut être utile si l'on souhaite retirer les articles dès la fin du programme.

On peut aussi ajouter ou supprimer des options pour chaque programme. Certaines options ne peuvent pas être utilisées avec certains programmes, et certaines d'entre elles sont préréglées pour ne fonctionner qu'avec certains programmes.

Pour activer ou désactiver le son des boutons :

Le son des boutons peut être activé ou désactivé en appuyant sur le bouton Cycle Signal (signal de programme) pendant 5 secondes. La laveuse émet un bref signal sonore/bip lorsque le programme est terminé. Cette opération peut être accomplie à tout moment durant le fonctionnement de la laveuse, sauf lorsqu'elle est au mode de STANDBY (Veille).

Lorsque le son des boutons est Désactivé:

- Les signaux sonores de sélection invalide (3 brefs signaux sonores/bips) restent actifs mais retentissent au volume "SOFT" (Faible).
- Tous les signaux sonores de sélection de touche valide (1 bref signal sonore/bip) sont désactivés, y compris les signaux de Power/Cancel (Mise sous tension/Annulation) et End of Cycle (fin de programme), ainsi que le signal sonore qui retentit lorsqu'on tourne le bouton de programme au-delà de NORMAL.

REMARQUE : Le réglage choisi reste actif lors d'une coupure de courant.

7 LID LOCK INDICATOR (Témoin lumineux verrouillage du couvercle)

Ce témoin lumineux indique que le couvercle est verrouillé et ne peut être ouvert. Si l'on doit ouvrir le couvercle, appuyer sur START/PAUSE (Mise en marche/Pause). Le couvercle se déverrouille une fois que le mouvement de la laveuse a cessé. Il se peut que cela prenne plusieurs minutes si la laveuse essorait la charge à grande vitesse. Appuyer sur START/PAUSE (Mise en marche/Pause) pour redémarrer le programme.



8 TÉMOINS LUMINEUX DE PROGRAMME

Les témoins lumineux indiquent la progression d'un programme. À chaque étape du processus, il est possible que l'on remarque des pauses ou des sons différents de ceux que l'on remarque avec des laveuses ordinaires.

FILL (Remplissage)

Lorsqu'on appuie sur le bouton Start/Pause (mise en marche/pause), la laveuse ajoute une petite quantité d'eau à la charge puis fait une pause de quelques secondes. Le couvercle se verrouille ensuite et la laveuse continue de se remplir.

WASH (Lavage)

On entend le moteur et le plateau de lavage déplacer la charge. Il est normal qu'une partie de la charge dépasse du niveau d'eau. Un nettoyage avec faible niveau d'eau signifie un nettoyage concentré. Plutôt que de diluer du détergent comme dans une laveuse de type agitateur, cette laveuse libère le détergent directement sur les endroits souillés. Les bruits émis par le moteur peuvent changer lors des différentes étapes du programme. La durée de lavage est déterminée par le niveau de saleté sélectionné.

RINSE (Rinçage)

On entend des sons similaires à ceux entendus lors du programme de lavage à mesure que la laveuse rince et déplace la charge. Le moteur émettra peut-être un bourdonnement pendant un court instant pour déplacer le panier pendant le remplissage. L'assouplissant pour tissu sera ajouté si l'option Fabric Softener (Assouplissant pour tissu) est sélectionnée. Certains programmes utilisent un rinçage avec vaporisation.

SPIN (Essorage)

La laveuse essore la charge à des vitesses augmentant graduellement pour une bonne extraction de l'eau, en fonction du programme et de la vitesse d'essorage sélectionnés.

DONE (Terminé)

Une fois le programme terminé, ce témoin s'allume. Retirer la charge rapidement pour un résultat optimal.

ADD A GARMENT (Ajouter un vêtement)

Il est possible d'ajouter un vêtement supplémentaire lors du lavage lorsque le témoin lumineux Add a Garment (Ajouter un vêtement) est allumé, sans pour autant diminuer la performance de lavage. Appuyer une fois sur START/PAUSE (Mise en marche/Pause). Le témoin lumineux Lid Lock (Verrouillage du couvercle) s'éteint. Ouvrir le couvercle de la laveuse, ajouter les vêtements et fermer le couvercle. Appuyer sur START/PAUSE (Mise en marche/Pause) pour redémarrer le programme.

CLEAN WASHER REMINDER (Rappel de nettoyage de la laveuse)

Le témoin lumineux de rappel de nettoyage de la laveuse s'allume après que 30 programmes de lavage ont été effectués sans programme de nettoyage de la laveuse. Voir la section "Entretien de la laveuse" pour faire fonctionner le programme de nettoyage de la laveuse, ou appuyer sur le bouton REMINDER RESET (réinitialisation de rappel) pour réinitialiser manuellement le décompte du programme de nettoyage de la laveuse.

DISTRIBUTEURS

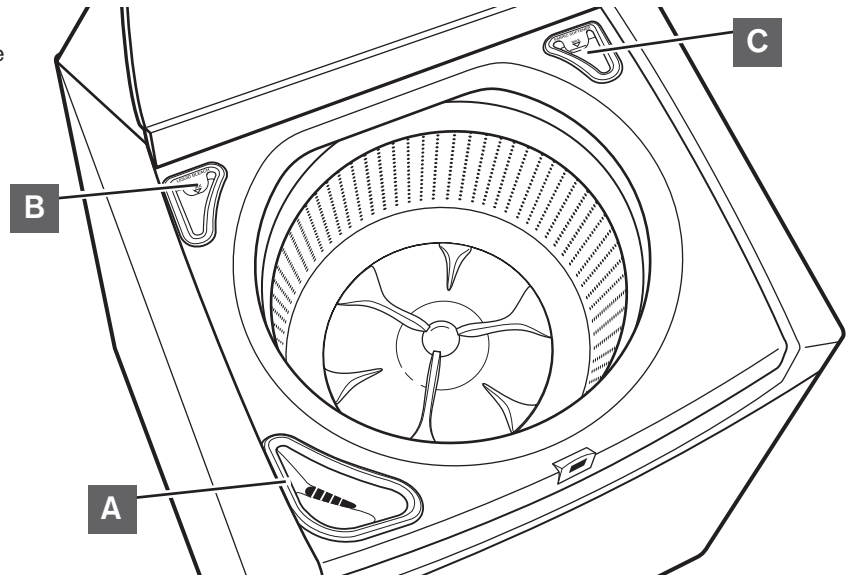
- A** Distributeur de détergent Haute efficacité "HE"
Verser le détergent HE liquide ou en poudre dans ce distributeur pour le programme de lavage principal.



Utiliser uniquement un détergent Haute efficacité (HE).

- B** Distributeur d'eau de Javel
Ce distributeur peut contenir jusqu'à 3/4 de tasse (180 mL) d'eau de Javel. L'agent de blanchiment sera automatiquement dilué et diffusé au moment opportun au cours du programme de lavage. Ce distributeur ne peut pas diluer de l'agent de blanchiment en poudre. Utiliser le distributeur d'eau de Javel pour de l'eau de Javel ou agent de blanchiment sans danger pour les couleurs.

- C** Distributeur d'assouplissant liquide pour tissu
Si désiré, verser la mesure d'assouplissant liquide pour tissu dans le distributeur d'assouplissant liquide pour tissu. Celui-ci distribuera automatiquement le produit au moment opportun si l'on sélectionne l'option d'assouplissant pour tissu.
- Utiliser uniquement de l'assouplissant liquide pour tissu dans ce distributeur.
 - Ne pas remplir excessivement. Ne pas diluer. Le distributeur peut contenir 3 oz (94 mL), ou un bouchon plein d'assouplissant de tissu.



- L'assouplissant pour tissu est diffusé au cours d'un rinçage en profondeur si l'on a sélectionné Fabric Softener (assouplissant pour tissu). Si Extra Rinse (Rinçage supplémentaire) est sélectionné, l'assouplissant pour tissu sera diffusé au cours du rinçage supplémentaire.
- Ne pas utiliser de boules distributrices d'assouplissant pour tissu dans cette laveuse. Les boules distributrices ne fonctionneront pas correctement avec cette laveuse.
- Ne pas renverser ou faire couler d'assouplissant pour tissu sur les vêtements.
- À la fin du programme, il est possible qu'une petite quantité d'eau reste dans le distributeur. Ceci est normal.

GUIDE DES PROGRAMMES

Les réglages et options indiqués en **gras** sont les réglages par défaut pour ce programme. Pour un meilleur entretien des tissus, choisir le programme qui convient le mieux à la charge à laver.

Certains programmes et options ne sont pas disponibles sur certains modèles.

Articles à laver :	Programme :	Température de lavage* :	Vitesse d'essorage :	Niveau de saleté :	Options disponibles :	Détails du programme :
Charges de vêtements en coton, lin et charges mixtes	Normal	Hot Warm Cool Cold	Max Extract Medium No Spin	Extra Heavy Heavy** Medium Light	Extra Rinse Water Save Spray Rinse Fabric Softener	Utiliser ce programme pour les articles en coton et les charges de tissus mixtes présentant un degré de saleté normal. Ce programme combine un lavage à haute vitesse et un essorage à vitesse moyenne.
Tissus robustes, couleurs foncées qui déteignent ou perdent de leur éclat	Cold Wash (Lavage à l'eau très froide)	Cold	Max Extract Medium Low No Spin	Extra Heavy Heavy Medium Light	Extra Rinse Water Save Spray Rinse Fabric Softener	Utiliser ce programme pour les vêtements robustes de couleur claire ou foncée qui pourraient déteindre ou perdre de leur éclat avec un programme de lavage utilisant une eau plus chaude. Ce programme convient pour le lavage de vêtements pouvant rétrécir ou perdre de leur éclat au premier lavage.
Draps, taies d'oreillers, couvertures fines, jetés de lit, présentant un degré de saleté normal	Sheets (Draps)	Hot Warm Cool Cold	Max Extract Medium Low No Spin	Extra Heavy Heavy Medium Light	Extra Rinse Water Save Spray Rinse Fabric Softener	L'action de lavage du programme est conçue pour empêcher les gros articles de s'enchevêtrer ou de se mettre en boule. IMPORTANT : Pour un meilleur rendement, déposer les vêtements en vrac de façon uniforme le long du plateau de lavage. Ne pas placer les vêtements directement au centre du plateau de lavage.
Serviettes et articles en tissu éponge, vêtements de couleur légèrement sales	Colors/ Towels (Couleurs/ serviettes)	Hot Warm Cool Cold	Max Extract Medium Low No Spin	Extra Heavy Heavy Medium Light	Extra Rinse Water Save Spray Rinse Fabric Softener	Ce programme est aussi un bon choix pour les vêtements avec fini infroissable. Ce programme combine un lavage et un essorage à vitesse moyenne.
Vêtements légèrement sales	Rapid Wash (Lavage rapide)	Hot Warm Cool Cold	Max Extract Medium Low No Spin	Extra Heavy Heavy Medium Light	Extra Rinse Water Save Spray Rinse Fabric Softener	Utiliser ce programme pour laver des petites charges légèrement sales dont on a besoin rapidement. Ce programme court combine un lavage et un essorage à haute vitesse pour un nettoyage optimal et des durées de séchages raccourcies.

* Les températures de lavage varient en fonction du réglage de programme sélectionné. Tous les réglages de programmes utilisent un Rinçage à froid.

** Les modèles ne sont pas tous réglés à un réglage de niveau de saleté identique. Sur certains modèles, les réglages de saleté par défaut sont fixés à Medium (Moyenne) pour ce programme.

Options de Température de lavage/rinçage :

Hot (Chaude)
Warm (Tiède)
Cool (Fraîche)
Cold (Froide)

Options de Vitesse d'essorage :

Max Extract (Extrait maximum)
Medium (Moyen)
Low (Basse)
No Spin (Pas d'essorage)

Options de Niveau de saleté :

Extra Heavy (Très intense)
Heavy (Intense)
Medium (Modéré)
Light (Léger)

Options disponibles :

Extra Rinse (Rinçage supplémentaire)
Water Save Spray Rinse (Rinçage par pulvérisation à économie d'eau)
Fabric Softener (Assouplissant pour tissu)

GUIDE DES PROGRAMMES

Les réglages et options indiqués en **gras** sont les réglages par défaut pour ce programme. Pour un meilleur soin des tissus, choisir le programme qui convient le mieux à la charge à laver.

Certains programmes et options ne sont pas disponibles sur certains modèles.

Articles à laver :	Programme :	Température de lavage* :	Vitesse d'essorage :	Niveau de saleté :	Options disponibles :	Détails du programme :
Articles en soie lavables en machine, tissus lavables à la main et laine	Delicate (Handwash) (Articles délicats [Lavage à la main])	Hot Warm Cool Cold	Medium Low No Spin	Extra Heavy Heavy Medium Light	Extra Rinse Water Save Spray Rinse Fabric Softener	Ce programme combine un lavage et un essorage à basse vitesse pour nettoyer les vêtements dont l'étiquette d'entretien indique "Lavable en machine".
Articles de grande taille tels que les sacs de couchage, les couvertures, les petits couvre-lits et les vestes	Bulky (Volumineux)	Hot Warm Cool Cold	Medium Low No Spin	Extra Heavy Heavy Medium Light	Extra Rinse Fabric Softener	Ce programme commence par un trempage pour bien imbibber la charge. Ceci est suivi d'un lavage et d'un essorage à vitesse moyenne pour maintenir l'équilibre de la charge. IMPORTANT : Pour le lavage d'articles imperméables ou imperméabilisés tels que les couvrematelas à doublure en plastique, les rideaux de douche, les vestes ou les sacs de couchage, sélectionner le réglage de vitesse d'essorage le plus faible possible avec ce programme et avec le modèle de votre laveuse.
Tissus résistants, articles grand-teint	Heavy Duty (Service intense)	Hot Warm Cool Cold	Max Extract Medium Low No Spin	Extra Heavy*** Heavy Medium Light	Extra Rinse Water Save Spray Rinse Fabric Softener	Utiliser ce programme pour les articles en coton très sales ou en coton épais. Le programme combine un lavage et un essorage à haute vitesse.
Tissus très sales	Power Wash (Lavage haute puissance)	Hot Warm Cool Cold	Max Extract Medium Low No Spin	Extra Heavy*** Heavy Medium Light	Extra Rinse Water Save Spray Rinse Fabric Softener	Utiliser ce programme pour les vêtements extrêmement sales et les articles de maison nécessitant un nettoyage supplémentaire. Ce programme combine un lavage à haute vitesse, un essorage à vitesse moyenne et un rinçage en profondeur pour éliminer l'excès de saleté de la charge.
Tissus blancs très sales	Whites (Blancs)	Hot Warm Cool Cold	Max Extract Medium Low No Spin	Extra Heavy*** Heavy Medium Light	Extra Rinse Water Save Spray Rinse Fabric Softener	Ce programme introduit l'eau de Javel dans la charge au moment opportun pour un blanchiment plus soutenu des tissus blancs très sales. Ce programme combine un lavage et un essorage à haute vitesse. Afin d'éliminer le maximum de saleté et des taches, utiliser le distributeur d'eau de Javel pour l'eau de Javel, ou l'agent de blanchiment sans danger pour les couleurs. Ce programme peut aussi être utilisé, sans eau de Javel, pour les tissus de couleur robustes comme les serviettes de toilette sans eau de Javel.

* Les températures de lavage varient en fonction du réglage de programme sélectionné. Tous les réglages de programmes utilisent un Rinçage à froid.

*** Les modèles ne sont pas tous réglés à un réglage de niveau de saleté identique. Sur certains modèles, les réglages de saleté par défaut sont fixés à Heavy (Intense) pour ce programme.

Options de Température de lavage/rinçage :

Hot (Chaude)
Warm (Tiède)
Cool (Fraîche)
Cold (Froide)

Options de Vitesse d'essorage :

Max Extract (Extrait maximum)
Medium (Moyen)
Low (Basse)
No Spin (Pas d'essorage)

Options de Niveau de saleté :

Extra Heavy (Très intense)
Heavy (Intense)
Medium (Modéré)
Light (Léger)

Options disponibles :

Extra Rinse (Rinçage supplémentaire)
Water Save Spray Rinse (Rinçage par pulvérisation à économie d'eau)
Fabric Softener (Assouplissant pour tissu)

GUIDE DES PROGRAMMES

Les réglages et options indiqués en **gras** sont les réglages par défaut pour ce programme. Pour un meilleur soin des tissus, choisir le programme qui convient le mieux à la charge à laver.

Certains programmes et options ne sont pas disponibles sur certains modèles.

Articles à laver :	Programme :	Température de lavage* :	Vitesse d'essorage :	Niveau de saleté :	Options disponibles :	Détails du programme :
Articles en coton et linge de maison exposés à de possibles allergènes	Allergen (Allergène)	Hot	Max Extract Medium Low No Spin	Extra Heavy Heavy Medium Light	Extra Rinse Fabric Softener	Ce programme utilise plus d'eau pour évacuer les allergènes tels les acariens ou les particules animales aériennes des articles présentant un niveau de saleté normal. Ce programme élimine plus de 95% des allergènes.
Maillots de bain et articles nécessitant uniquement un rinçage	Rinse/Drain & Spin (Rinçage/vidange et essorage)		Max Extract Medium Low No Spin		Extra Rinse	Utiliser Rinse/Drain & Spin (Rinçage/vidange et essorage) avec l'option Extra Rinse activée pour obtenir un rinçage en profondeur suivi d'un essorage à haute vitesse. L'affichage de la durée inclut une estimation du temps nécessaire pour le remplissage et la vidange de la laveuse.
Charge de vêtements mouillée	Rinse/Drain & Spin (Rinçage/vidange et essorage)		Max Extract Medium Low			Utiliser Rinse/Drain & Spin (Rinçage/vidange et essorage) pour retirer l'excédent d'eau de la charge en choisissant Rinse/Drain & Spin (Rinçage/vidange et essorage) et en désactivant Extra Rinse (Rinçage supplémentaire). Ce programme peut aider à réduire les durées de séchage pour certains tissus lourds ou des articles nécessitant un soin particulier. La vitesse d'essorage peut être réglée à un réglage inférieur. Rinse/Drain & Spin (Rinçage/vidange et essorage) peut également être utilisé pour vidanger l'eau après l'annulation d'un programme ou pour terminer un programme après une panne de courant.
Pas de vêtements dans la laveuse	Clean Washer with affresh® (Nettoyer la laveuse avec affresh®)					Utiliser ce programme à l'issue de chaque série de 30 lavages pour que l'intérieur de la laveuse reste frais et propre. Ce programme utilise un niveau d'eau plus élevé. Avec ce programme, utiliser une tablette de nettoyant pour laveuse affresh® ou de l'eau de Javel pour nettoyer soigneusement l'intérieur de votre laveuse. Ce programme ne doit pas être interrompu. Voir "Entretien de la laveuse". IMPORTANT : Ne pas placer de vêtements ou autres articles dans la laveuse pendant le programme Clean Washer with affresh®. Utiliser ce programme avec une cuve de lavage vide.

* Les températures de lavage varient en fonction du réglage de programme sélectionné. Tous les réglages de programmes utilisent un Rinçage à froid.

Options de Température de lavage/rinçage :

Hot (Chaude)
Warm (Tiède)
Cool (Fraîche)
Cold (Froide)

Options de Vitesse d'essorage :

Max Extract (Extrait maximum)
Medium (Moyen)
Low (Basse)
No Spin (Pas d'essorage)

Options de Niveau de saleté :

Extra Heavy (Très intense)
Heavy (Intense)
Medium (Modéré)
Light (Léger)

Options disponibles :

Extra Rinse (Rinçage supplémentaire)
Water Save Spray Rinse (Rinçage par pulvérisation à économie d'eau)
Fabric Softener (Assouplissant pour tissu)

UTILISATION DE LA LAVEUSE

⚠ AVERTISSEMENT



Risque d'incendie

Ne jamais mettre des articles humectés d'essence ou d'autres fluides inflammables dans la laveuse.

Aucune laveuse ne peut complètement enlever l'huile.

Ne pas faire sécher des articles qui ont été salis par tout genre d'huile (y compris les huiles de cuisson).

Le non-respect de ces instructions peut causer un décès, une explosion ou un incendie.

⚠ AVERTISSEMENT



Risque de choc électrique

Brancher sur une prise à 3 alvéoles reliée à la terre.

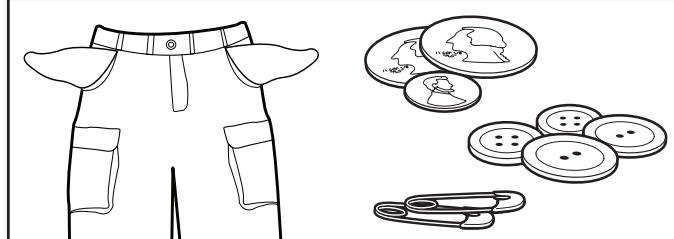
Ne pas enlever la broche de liaison à la terre.

Ne pas utiliser un adaptateur.

Ne pas utiliser un câble de rallonge.

Le non-respect de ces instructions peut causer un décès, un incendie ou un choc électrique.

1. Trier et préparer le linge



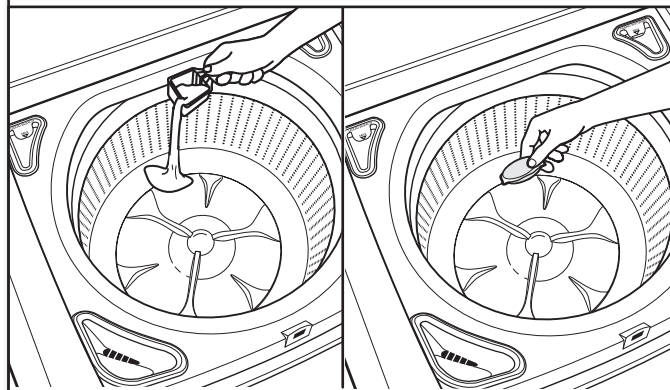
- Vider les poches. Des pièces de monnaie, des boutons ou objets de petite taille sont susceptibles de glisser sous l'plateau de lavage et de s'y coincer, ce qui peut entraîner des bruits inattendus.
- Trier les articles en fonction du programme et de la température d'eau recommandés, ainsi que de la solidité des teintures.
- Séparer les articles très sales des articles peu sales.
- Séparer les articles délicats des tissus résistants.
- Ne pas sécher les vêtements si les taches sont toujours présentes après le lavage car la chaleur pourrait fixer les taches sur le tissu.
- Traiter les taches sans délai.
- Fermer les fermetures à glissière, attacher les crochets, cordons et ceintures en tissu. Ôter les garnitures et les ornements non lavables.
- Réparer les déchirures pour éviter que les articles ne s'endommagent encore davantage lors du lavage.

Conseils utiles :

- Lors du lavage d'articles imperméables ou résistants à l'eau, charger la laveuse de façon uniforme. Voir "Guide de programmes" pour des conseils et pour plus d'informations sur l'utilisation du programme Bulky (volumineux).
- Utiliser des sacs en filet pour aider à empêcher l'emmêlement lors du lavage d'articles délicats ou de petits articles.
- Retourner les tricots pour éviter le boulochage. Séparer les articles qui forment la charpie de ceux qui la retiennent. Les articles synthétiques, tricots et articles en velours retiennent la charpie provenant des serviettes, des tapis et des tissus chenille.

REMARQUE : Toujours lire et suivre les instructions des étiquettes de soin des tissus pour éviter d'endommager les vêtements.

2. Ajouter des produits de lessive



Verser une mesure de détergent ou un sachet de lessive à dose unique dans le panier.

Si l'on utilise des produits activateurs de détergent de type Oxi, un agent de blanchiment sans danger pour les couleurs ou de l'assouplissant pour tissu sous forme de cristaux, les ajouter au fond du panier de la laveuse avant d'ajouter les vêtements.

REMARQUE : Suivre les instructions du fabricant pour déterminer la quantité de produits de lessive à utiliser

3. Charger les vêtements dans la laveuse

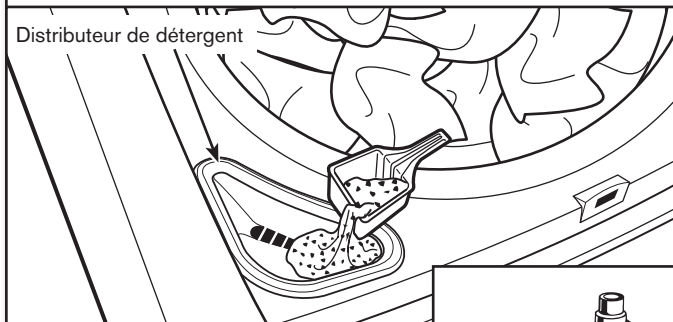


Charger les vêtements sans les tasser et de façon uniforme le long du plateau de lavage. Ne pas placer les vêtements directement au centre du plateau de lavage – celui-ci doit être visible. Essayer de mélanger différents types d'articles pour réduire l'emmêlement.

IMPORTANT : Les articles doivent pouvoir se déplacer librement pour un nettoyage optimal et pour réduire le froissement et l'emmêlement.

REMARQUE: Ne pas ajouter de sachet de lessive à dose unique, des activateurs de type Oxi ou des cristaux d'assouplissant pour tissu dans les distributeurs. Ils ne seront pas distribués correctement.

4. Ajouter le détergent HE dans le distributeur



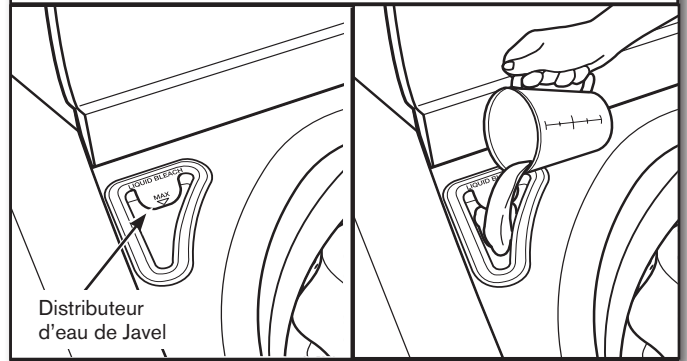
Ajouter une mesure de détergent HE dans le distributeur de détergent.

IMPORTANT : Utiliser uniquement des détergents Haute efficacité. L'emballage portera la mention "HE" ou "High Efficiency" (Haute efficacité). Un lavage avec faible consommation d'eau produit un excès de mousse avec un détergent ordinaire non HE. Il est probable que l'utilisation d'un détergent ordinaire prolongera la durée des programmes et réduira la performance de rinçage. Ceci peut aussi entraîner des défaillances des composants et une moisissure perceptible. Les détergents HE sont conçus pour produire la quantité de mousse adéquate pour le meilleur rendement. Suivre les recommandations du fabricant pour déterminer la quantité de détergent à utiliser.

CONSEIL UTILE : Voir "Entretien de la laveuse" pour plus d'information sur la méthode recommandée pour le nettoyage des distributeurs de la laveuse.

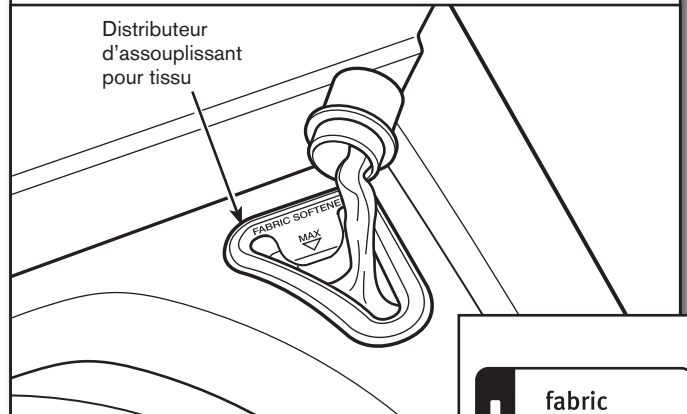


5. Ajouter l'eau de Javel dans le distributeur



Ne pas remplir excessivement le distributeur, diluer le produit ni utiliser plus de 3/4 de tasse (180 mL). Afin d'éliminer le maximum de saleté et de taches, utiliser le distributeur d'eau de Javel pour de l'eau de Javel, ou l'agent de blanchiment sans danger pour les couleurs.

6. Ajouter de l'assouplissant pour tissu liquide dans le distributeur



Verser une mesure d'assouplissant pour tissu liquide dans le distributeur – toujours suivre les instructions du fabricant concernant la dose d'assouplissant pour tissu à utiliser en fonction de la taille de la charge. Sélectionner ensuite l'option Fabric Softener (Assouplissant pour tissu).

IMPORTANT : L'option Fabric Softener (Assouplissant pour tissu) doit être sélectionnée pour que le produit soit distribué correctement et au moment adéquat du programme. Ne pas remplir le distributeur excessivement ni diluer le produit. Si l'on remplit excessivement le distributeur, l'assouplissant pour tissu sera distribué dans la laveuse immédiatement.

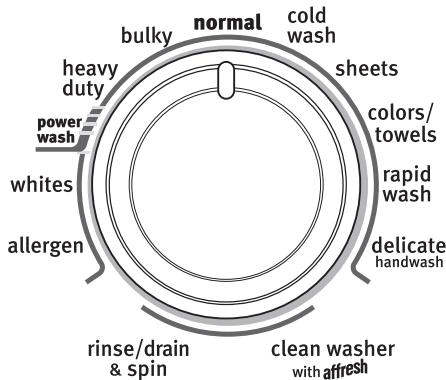
Si l'on sélectionne l'option Extra Rinse (Rinçage supplémentaire), l'assouplissant pour tissu sera distribué au cours du dernier rinçage.

REMARQUE : Ne pas utiliser de boules distributrices d'assouplissant pour tissu dans cette laveuse. Elles ne distribueront pas leur contenu correctement.

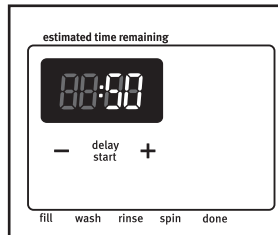
7. Appuyer sur POWER/CANCEL (Mise sous tension/Annulation) pour mettre la laveuse en marche



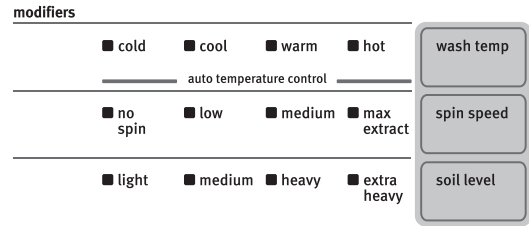
8. Sélectionner le programme



Tourner le bouton de programme pour choisir un programme de lavage. Estimated Time Remaining (Durée résiduelle estimée) s'allume, accompagné de la durée du programme. On peut remarquer un ajustement de la durée durant le programme. Ceci est normal.



9. Sélectionner les modificateurs de programme



Après avoir sélectionné un programme, les réglages par défaut correspondant à ce programme s'allument. Appuyer sur les boutons de modificateurs du programme pour changer la Wash Temp (Température de lavage), la Spin Speed (Vitesse d'essorage) et le Soil Level (Niveau de saleté) si désiré. Tous les réglages ne sont pas disponibles avec tous les programmes.

Toujours lire et suivre les instructions des étiquettes d'entretien des tissus pour éviter d'endommager les vêtements.

Wash Temp (Température de lavage)	Tissus suggérés
Hot (Chaude) De l'eau froide est ajoutée pour économiser de l'énergie. Ceci sera plus froid que le réglage du chauffe-eau pour l'eau chaude de votre domicile.	Blancs et couleurs claires Vêtements robustes Saleté intense
Warm (Tiède) De l'eau froide sera ajoutée; il est donc possible que l'eau soit plus froide que celle que fournissait votre laveuse précédente.	Couleurs vives Saleté modérée à légère
Cool (Fraîche) De l'eau chaude est ajoutée pour favoriser l'élimination de la saleté et pour aider à dissoudre les détergents.	Couleurs qui déteignent ou s'atténuent Saleté légère
Cold (Froide) De l'eau tiède est ajoutée pour favoriser l'élimination de la saleté et aider à dissoudre les détergents.	Couleurs foncées qui déteignent ou s'atténuent Saleté légère

10. Sélectionner les options de programme



Sélectionner les autres options de programme que l'on souhaite ajouter, si ce n'est pas déjà fait. Certains programmes ajoutent automatiquement certaines options telles que Extra Rinse (Rinçage supplémentaire). Elles peuvent être désactivées si désiré.

Toutes les options ne sont pas disponibles avec tous les programmes.

11. Appuyer sur START/PAUSE (Mise en marche/Pause) pour démarrer le programme de lavage



Appuyer sur le bouton START/PAUSE (Mise en marche/Pause) pour démarrer le programme de lavage. Lorsque le programme est terminé, le signal de fin de programme retentit (si activé). Retirer rapidement les vêtements une fois le programme terminé pour empêcher la formation d'odeurs, réduire le froissement et empêcher les crochets métalliques, fermetures à glissière et bouton-pression de rouiller.

Si on laisse le couvercle ouvert pendant plus de 10 minutes, l'eau est vidangée.

ENTRETIEN DE LA LAVEUSE

TUYAUX D'ARRIVÉE D'EAU

Remplacer les tuyaux d'arrivée d'eau après 5 ans d'utilisation pour réduire le risque de défaillance intempestive. Inspecter périodiquement les tuyaux; les remplacer en cas de renflement, de déformation, de coupure et d'usure ou si une fuite se manifeste.

Lorsque vous remplacez les tuyaux d'arrivée d'eau, noter la date de remplacement au marqueur indélébile sur l'étiquette.

REMARQUE : Cette laveuse ne comprend pas de tuyaux d'arrivée d'eau. Voir les Instructions d'installation pour plus de renseignements

ENTRETIEN DE LA LAVEUSE

Recommandations pour une laveuse propre et pour un niveau de performance optimal

1. Toujours utiliser des détergents haute efficacité (HE) et suivre les recommandations du fabricant de détergent HE pour déterminer la quantité de détergent HE à utiliser. Ne jamais utiliser plus que la quantité recommandée de détergent, car ceci peut augmenter le taux d'accumulation de résidus de détergent et de souillures à l'intérieur de la laveuse, ce qui pourrait entraîner la formation d'odeurs indésirables.
2. Exécuter périodiquement des lavages avec de l'eau tiède ou chaude (et non pas exclusivement des lavages à l'eau froide), car l'eau tiède ou chaude permet de contrôler plus efficacement la vitesse à laquelle les saletés et les résidus de détergent s'accumulent.
3. Veiller à toujours laisser le couvercle de la laveuse ouvert entre deux utilisations pour qu'elle puisse sécher, et pour éviter l'accumulation de résidus générateurs d'odeurs.

Nettoyage de la laveuse à chargement par le dessus

Lire complètement ces instructions avant d'entreprendre les opérations de nettoyage de routine recommandées ci-dessous. Le processus d'entretien de la laveuse doit être exécuté au moins une fois par mois ou à intervalles de 30 lavages (selon la période la plus courte des deux); ceci permettra de contrôler la vitesse à laquelle les résidus de détergent et les souillures s'accumulent dans la laveuse.

ENTRETIEN DE LA LAVEUSE (suite)

Nettoyage de l'intérieur de la laveuse

Pour que l'intérieur de la laveuse reste libre de toute odeur, suivre les instructions d'utilisation indiquées ci-dessus et effectuer la procédure de nettoyage mensuelle recommandée suivante :

Programme Clean Washer (nettoyage de la laveuse)

Cette laveuse comporte un programme spécial qui utilise un volume d'eau plus important en conjonction avec le nettoyant pour laveuse affresh® ou un agent de blanchiment liquide au chlore pour nettoyer l'intérieur de la laveuse.

Début de la procédure

1. **Procédure de nettoyage avec le nettoyant pour laveuse affresh® (recommandé pour une performance optimale) :**
 - a. Ouvrir le couvercle de la laveuse et retirer tout vêtement ou article.
 - b. Placer une pastille de nettoyant pour laveuse affresh® dans le fond du panier de la laveuse.
 - c. Ne pas placer de pastille de nettoyant pour laveuse affresh® dans le distributeur à détergent.
 - d. Ne pas ajouter de détergent ou autre composé chimique dans la laveuse lors de l'exécution de cette procédure.
 - e. Rabattre le couvercle de la laveuse.
 - f. Sélectionner le programme CLEAN WASHER (nettoyage de la laveuse).
 - g. Appuyer sur le bouton START/PAUSE (Mise en marche/Pause) pour démarrer le programme. Le processus du programme de nettoyage de la laveuse est décrit ci-dessous.

REMARQUE : Pour de meilleurs résultats, ne pas interrompre le programme. Si l'on doit interrompre le programme, appuyer sur POWER/CANCEL (Mise sous tension/Annulation). (Pour les modèles dépourvus du bouton Power/Cancel [Mise sous tension/Annulation], appuyer sur START/PAUSE [Mise en marche/Pause] pendant trois secondes). Une fois le programme de nettoyage de la laveuse terminé, effectuer un programme Rinse/Drain & Spin (Rinçage/vidange et essorage) pour rincer le nettoyant de la laveuse.

2. **Méthode avec agent de blanchiment au chlore (autre option) :**

- a. Ouvrir le couvercle de la laveuse et retirer tout vêtement ou article.
- b. Verser 1 tasse (236 mL) d'agent de blanchiment liquide au chlore dans le distributeur d'agent de blanchiment.

REMARQUE : L'emploi d'une quantité d'agent de blanchiment liquide au chlore supérieure à ce qui est recommandé ci-dessus pourrait endommager la laveuse avec le temps.

- c. Rabattre le couvercle de la laveuse.
- d. Ne pas ajouter de détergent ou autre composé chimique dans la laveuse lors de l'exécution de cette procédure.
- e. Sélectionner le programme CLEAN WASHER (nettoyage de la laveuse).
- f. Appuyer sur le bouton START/PAUSE (Mise en marche/Pause) pour démarrer le programme. Le processus du programme de nettoyage de la laveuse est décrit ci-dessous.

REMARQUE : Pour de meilleurs résultats, ne pas interrompre le programme. Si l'on doit annuler le programme, appuyer sur POWER/CANCEL (Mise sous tension/Annulation). (Pour les modèles dépourvus du bouton Power/Cancel [Mise sous tension/Annulation], appuyer sur START/PAUSE [Mise en marche/Pause] pendant trois secondes). Une fois le programme de nettoyage de la laveuse terminé, effectuer un programme Rinse/Drain & Spin (Rinçage/vidange et essorage) pour rincer le nettoyant de la laveuse.

ENTRETIEN DE LA LAVEUSE (suite)

Description de l'utilisation du programme de nettoyage de la laveuse :

1. Ce programme remplit la laveuse à un niveau supérieur à celui des programmes de lavage ordinaires afin que le niveau de l'eau de rinçage soit supérieur à celui d'un programme de lavage ordinaire.
2. Ce programme comporte une agitation et un essorage pour améliorer l'élimination des souillures.

Une fois ce programme terminé, laisser le couvercle ouvert pour permettre une meilleure ventilation et pour que l'intérieur de la laveuse puisse sécher.

Nettoyage des distributeurs

Après avoir utilisé la laveuse pendant longtemps, on peut parfois constater une accumulation de résidus dans les distributeurs de la laveuse. Pour éliminer les résidus des distributeurs, les essuyer avec un chiffon humide et les sécher avec une serviette. Ne pas tenter de retirer les distributeurs ou la garniture pour le nettoyage. Les distributeurs et la garniture ne peuvent pas être retirés. Cependant, si votre modèle comporte un tiroir distributeur, retirer le tiroir et le nettoyer avant ou après avoir effectué le programme de nettoyage de la laveuse. Si nécessaire, utiliser un nettoyant tout-usage.

Nettoyage de l'extérieur de la laveuse

Utiliser une éponge ou un chiffon doux et humide pour essuyer les renversements éventuels. Utiliser uniquement des savons ou nettoyants doux pour nettoyer la surface externe de la laveuse.

IMPORTANT : Afin d'éviter d'endommager le revêtement de la laveuse, ne pas utiliser de produits abrasifs.

NON-UTILISATION ET ENTRETIEN EN PÉRIODE DE VACANCES

Faire fonctionner la laveuse seulement lorsqu'on est présent. En cas de déménagement ou si l'on n'utilise pas la laveuse pendant longtemps, suivre les étapes suivantes :

1. Débrancher la laveuse ou déconnecter la source de courant électrique.
2. Fermer l'alimentation en eau à la laveuse pour éviter toute inondation due à une surpression.

ENTRETIEN POUR ENTREPOSAGE HIVERNAL

IMPORTANT : Pour éviter tout dommage, installer et remiser la laveuse à l'abri du gel. L'eau qui peut rester dans les tuyaux risque d'abîmer la laveuse en temps de gel. Si la laveuse doit faire l'objet d'un déménagement ou d'entreposage au cours d'une période de gel, hivériser la laveuse.

Hivérisation de la laveuse :

1. Fermer les deux robinets d'eau; déconnecter et vidanger les tuyaux d'arrivée d'eau.
2. Placer 1 pinte (1 L) d'antigel pour véhicule récréatif dans le panier et faire fonctionner la laveuse sur un programme RINSE/DRAIN & SPIN (Rinçage/vidange et essorage) pendant environ 30 secondes pour mélanger l'antigel et l'eau restante.
3. Débrancher la laveuse ou déconnecter la source de courant électrique.

TRANSPORT DE LA LAVEUSE

1. Fermer les deux robinets d'eau. Débrancher et vidanger les tuyaux d'arrivée d'eau.
2. Si l'on déplace la laveuse pendant une période de gel, suivre les instructions de la section ENTRETIEN POUR ENTREPOSAGE HIVERNAL au préalable.
3. Déconnecter le tuyau de vidange du système de vidange.
4. Débrancher le cordon d'alimentation.
5. Placer les tuyaux d'arrivée d'eau dans le panier de la laveuse.
6. Faire passer le cordon d'alimentation et le tuyau de vidange par dessus la console et les fixer avec du ruban de masquage.
7. Replacer l'emballage en polystyrène circulaire des matériaux d'expédition d'origine à l'intérieur de la laveuse. Si vous n'avez plus l'emballage circulaire, placer des couvertures lourdes ou des serviettes dans l'ouverture du panier. Fermer le couvercle et placer du ruban adhésif sur le couvercle et jusqu'à la partie inférieure avant de la laveuse. Laisser le couvercle fermé par l'adhésif jusqu'à ce que la laveuse soit installée à son nouvel emplacement.

⚠ AVERTISSEMENT



Risque de choc électrique

Brancher sur une prise à 3 alvéoles reliée à la terre.

Ne pas enlever la broche de liaison à la terre.

Ne pas utiliser un adaptateur.

Ne pas utiliser un câble de rallonge.

Le non-respect de ces instructions peut causer un décès, un incendie ou un choc électrique.

RÉINSTALLATION/RÉUTILISATION DE LA LAVEUSE

Pour réinstaller la laveuse en cas de non-utilisation, d'entreposage pour l'hiver, de déménagement ou en période de vacances :

1. Consulter les Instructions d'installation pour choisir l'emplacement, régler l'aplomb de la laveuse et la raccorder.
2. Avant de réutiliser la laveuse, exécuter la procédure recommandée suivante :

Remise en marche de la laveuse :

1. Vidanger les canalisations d'eau et les tuyaux. Reconnecter les tuyaux d'arrivée d'eau. Ouvrir les deux robinets d'eau.
2. Brancher la laveuse ou reconnecter la source de courant électrique.
3. Faire exécuter à la laveuse le programme BULKY (volumineux) pour nettoyer la laveuse et éliminer l'antigel, le cas échéant. Utiliser uniquement un détergent HE Haute efficacité. Utiliser la moitié de la quantité recommandée par le fabricant pour une charge de taille moyenne.

DÉPANNAGE

Essayer d'abord les solutions suggérées ici ou visiter notre site Web pour éviter le coût d'une intervention de dépannage...
Aux États-Unis, http://www.maytag.com/product_help – Au Canada, www.maytag.ca .

Si les phénomènes suivants se produisent	Causes possibles	Solution
Vibrations ou déséquilibre		
Vibrations, balancement ou effet de "marche" de la laveuse	Les pieds ne sont peut-être pas en contact avec le plancher et verrouillés.	Les pieds avant et arrière doivent être en contact ferme avec le plancher et la laveuse doit être d'aplomb pour fonctionner correcte. Les contre-écrous doivent être bien serrés contre le bas de la caisse.
	La laveuse n'est peut-être pas d'aplomb.	Vérifier que le plancher n'est pas incurvé ou qu'il ne s'affaisse pas. Si le plancher est irrégulier, un morceau de contreplaqué de 3/4" (19 mm) placé sous la laveuse permettra de réduire le bruit.
		Voir "Réglage de l'aplomb de la laveuse" dans les Instructions d'installation.
Vibrations durant l'essorage ou bien la laveuse s'arrête et le code d'erreur uL clignote	La charge est peut-être déséquilibré.	Charger les vêtements sans les tasser et de façon uniforme le long du plateau de lavage. Ne pas placer les vêtements directement au centre du plateau de lavage. Le fait d'ajouter des articles mouillés ou de rajouter de l'eau dans le panier pourrait déséquilibrer la laveuse.
		Éviter de laver un article seul. Compenser le poids d'un article seul tel un tapis ou une veste par quelques articles supplémentaires pour équilibrer le tout. Si le code d'erreur uL clignote, ré-agencer la charge, fermer le couvercle et appuyer sur START/PAUSE (Mise en marche/Pause).
		Utiliser le programme Bulky (Volumineux) pour les articles surdimensionnés et non absorbants tels que les couettes ou les vestes avec rembourrage en polyester. Certains articles ne conviennent pas au programme Bulky (Volumineux). Voir "Guide de programmes".
		L'article ou la charge ne convient pas au programme sélectionné. Voir "Guide de programmes" et "Utilisation de la laveuse".
Bruits – Pour une liste des bruits de fonctionnement normaux, consulter www.maytag.com/help.		
Cliquetis ou bruits métalliques	Des objets sont coincés dans le système de vidange de la laveuse.	Vider les poches avant le nettoyage. Les articles mobiles tels des pièces de monnaie sont susceptibles de tomber entre le panier et la cuve; ils peuvent aussi obstruer la pompe. Un appel pour intervention de dépannage s'avéra peut-être nécessaire pour retirer ces objets.
		Il est normal d'entendre des articles métalliques faisant partie des vêtements comme les bouton-pression métalliques, boucles ou fermetures à glissière toucher le panier en acier inoxydable.
Gargouillement ou bourdonnement	La laveuse est peut-être en train d'évacuer de l'eau.	Il est normal d'entendre la pompe produire un bourdonnement continu accompagné de gargouillements ou de bruits de pompage périodiques lorsque les quantités d'eau restantes sont éliminées au cours des programmes d'essorage/de vidange.
Fuites d'eau		
Vérifier ce qui suit pour que l'installation soit correcte :	La laveuse n'est pas d'aplomb.	Il est possible que de l'eau éclabousse en dehors du panier si la laveuse n'est pas d'aplomb.
	Les tuyaux de remplissage ne sont pas solidement fixés.	Serrer le raccord du tuyau de remplissage.
	Rondelles d'étanchéité des tuyaux de remplissage.	S'assurer que les quatre rondelles d'étanchéité plates des tuyaux de remplissage sont correctement installées.
	Raccord du tuyau de vidange.	Tirer le tuyau de vidange de la caisse de la laveuse et le fixer correctement au tuyau de rejet à l'égout ou l'évier de buanderie.
		Ne pas placer de ruban adhésif sur l'ouverture du système de vidange.
	Inspecter le circuit de plomberie du domicile pour vérifier qu'il n'y a pas de fuites ou que l'évier ou le tuyau de vidange n'est pas obstrué.	De l'eau pourrait refouler de l'évier ou du tuyau de rejet à l'égout obstrué. Inspecter tout le circuit de plomberie du domicile (éviers de buanderie, tuyau de vidange, conduites d'eau et robinets) pour vérifier qu'il n'y a aucune fuite.
La laveuse n'a pas été chargée tel que recommandé.	Une charge déséquilibrée peut entraîner une déviation du panier; de l'eau pourrait alors éclabousser en dehors de la cuve. Voir "Utilisation de la laveuse" pour des instructions sur le chargement.	

DÉPANNAGE

Essayer d'abord les solutions suggérées ici ou visiter notre site Web pour éviter le coût d'une intervention de dépannage...
Aux États-Unis, http://www.maytag.com/product_help – Au Canada, www.maytag.ca.

Si les phénomènes suivants se produisent	Causes possibles	Solution
La laveuse ne fonctionne pas comme prévu		
Quantité d'eau insuffisante dans la laveuse	La charge n'est pas complètement submergée dans l'eau.	Ceci correspond à un fonctionnement normal pour une laveuse HE à faible consommation d'eau. La charge ne sera pas complètement submergée. La laveuse détecte la taille de la charge et ajoute la bonne quantité d'eau pour un nettoyage optimal. Voir "Quoi de neuf sous le couvercle". IMPORTANT : Ne pas ajouter d'eau dans la laveuse. De l'eau supplémentaire éloignerait la charge du plateau de lavage en la soulevant, ce qui réduirait la performance de nettoyage.
La laveuse ne fonctionne pas ou ne se remplit pas; elle cesse de fonctionner	Vérifier que l'alimentation en eau est correcte.	Les deux tuyaux doivent être fixés et l'eau doit pénétrer dans la valve d'arrivée.
		Les deux robinets d'eau chaude et d'eau froide doivent être ouverts.
		Vérifier que les tamis des valves d'arrivée ne sont pas obstrués.
		Vérifier que les tuyaux d'arrivée d'eau ne sont pas déformés; ceci peut réduire le débit.

⚠ AVERTISSEMENT



Risque de choc électrique

Brancher sur une prise à 3 alvéoles reliée à la terre.

Ne pas enlever la broche de liaison à la terre.

Ne pas utiliser un adaptateur.

Ne pas utiliser un câble de rallonge.

Le non-respect de ces instructions peut causer un décès, un incendie ou un choc électrique.

Si les phénomènes suivants se produisent	Causes possibles	Solution
La laveuse ne fonctionne pas comme prévu (suite)		
La laveuse ne fonctionne pas ou ne se remplit pas; elle cesse de fonctionner (suite)	Vérifier que l'alimentation électrique à la laveuse est correcte.	Brancher le cordon d'alimentation dans une prise à 3 alvéoles reliée à la terre.
		Ne pas utiliser de câble de rallonge.
Vérifier que la prise est alimentée.		
Remettre un disjoncteur qui serait ouvert en marche. Remplacer tout fusible grillé. REMARQUE : Si le problème persiste, appeler un électricien.		
Fonctionnement normal de la laveuse.		Le couvercle doit être fermé pour que la laveuse puisse fonctionner.
		La laveuse fait des pauses durant certaines phases du programme. Ne pas interrompre le programme.
		On peut arrêter la laveuse pour réduire la production de mousse.

DÉPANNAGE

Essayer d'abord les solutions suggérées ici ou visiter notre site Web pour éviter le coût d'une intervention de dépannage...
Aux États-Unis, http://www.maytag.com/product_help – Au Canada, www.maytag.ca .

Si les phénomènes suivants se produisent	Causes possibles	Solution
La laveuse ne fonctionne pas comme prévu (suite)		
La laveuse ne fonctionne pas ou ne se remplit pas; elle cesse de fonctionner (suite)	La charge de la laveuse est peut-être trop tassée.	Retirer plusieurs articles, et ré-agencer la charge de façon uniforme le long du plateau de lavage. Ne pas placer les vêtements directement au centre du plateau de lavage. Fermer le couvercle et appuyer sur START/PAUSE (Mise en marche/Pause).
		Si l'on souhaite ajouter des vêtements une fois que la laveuse a démarré, n'en rajouter qu'un ou deux.
		Ne pas ajouter d'eau dans la laveuse.
	Détergent HE non utilisé ou utilisation excessive de détergent HE.	Utiliser uniquement un détergent HE. La mousse produite par des détergents ordinaires peut ralentir ou arrêter la laveuse. Toujours mesurer la quantité de détergent et suivre les instructions du détergent en fonction des modalités de nettoyage de la charge. Pour éliminer la mousse, annuler le programme. Sélectionner RINSE/DRAIN & SPIN (Rinçage/vidange et essorage). Sélectionner un programme. Appuyer sur START/PAUSE (Mise en marche/Pause). Ne pas ajouter de détergent.
La laveuse ne se vidange/ n'essore pas; les charges restent mouillées	Vider les poches et utiliser des sacs en filet pour les petits articles.	Des petits articles sont peut-être coincés dans la pompe ou entre le panier et la cuve, ce qui peut ralentir la vidange.
	Utilisation des programmes comportant une vitesse d'essorage inférieure.	Les programmes avec vitesses d'essorage réduites éliminent moins d'eau que les programmes qui comportent des vitesses d'essorage supérieures. Utiliser la vitesse d'essorage appropriée/le programme recommandé pour le vêtement.
	La charge de la laveuse est peut-être tassée ou déséquilibrée.	Des charges trop tassées peuvent empêcher la laveuse d'essorer correctement : les charges ressortent donc plus mouillées qu'elles ne devraient l'être. Répartir uniformément la charge mouillée pour que l'essorage soit équilibré. Sélectionner RINSE/DRAIN & SPIN (Rinçage/vidange et essorage) pour éliminer l'eau restée dans la laveuse. Voir "Utilisation de la laveuse" pour des recommandations sur la façon de charger la laveuse.
	Inspecter le circuit de plomberie pour vérifier que le tuyau de vidange est correctement installé. Le tuyau de vidange se prolonge dans le tuyau rigide de rejet à l'égout au-delà de 4,5" (114 mm).	Vérifier que le tuyau de vidange est correctement installé. Utiliser la bride de retenue pour tuyau de vidange et la fixer solidement au tuyau de rejet à l'égout ou à la cuve. Ne pas placer de ruban adhésif sur l'ouverture du système de vidange. Abaisser le tuyau de vidange si l'extrémité se trouve à plus de 96" (2,4 m) au-dessus du plancher. Retirer toute obstruction du tuyau de vidange.
	Détergent HE non utilisé ou utilisation excessive de détergent HE.	Un excès de mousse causé par l'utilisation d'un détergent ordinaire ou d'un surplus de détergent peut ralentir ou arrêter la vidange ou l'essorage. Utiliser uniquement un détergent HE. Toujours mesurer les quantités et suivre les instructions figurant sur le détergent en fonction de la charge. Pour éliminer tout excès de mousse, sélectionner RINSE/DRAIN & SPIN (Rinçage/vidange et essorage). Ne pas ajouter de détergent.
Températures de lavage ou de rinçage incorrectes	Vérifier que l'alimentation en eau est correcte.	Vérifier que les tuyaux d'arrivée d'eau chaude et d'eau froide ne sont pas inversés.
		Les deux tuyaux doivent être raccordés à la fois à la laveuse et au robinet, et la valve d'arrivée doit recevoir à la fois de l'eau chaude et de l'eau froide.
		Vérifier que les tamis des valves d'arrivée ne sont pas obstrués.
	Températures de lavage contrôlées pour économies d'énergie.	Éliminer toute déformation des tuyaux.
		Les laveuses certifiées de ENERGY STAR® utilisent moins des températures de lavage et de rinçage inférieures à celles d'une laveuse traditionnelle à chargement par le dessus. Cela signifie également des températures de lavage à l'eau chaude et à l'eau tiède.

DÉPANNAGE

Essayer d'abord les solutions suggérées ici ou visiter notre site Web pour éviter le coût d'une intervention de dépannage...
Aux États-Unis, http://www.maytag.com/product_help – Au Canada, www.maytag.ca .

Si les phénomènes suivants se produisent	Causes possibles	Solution
La laveuse ne fonctionne pas comme prévu (suite)		
Charge non rincée	Vérifier que l'alimentation en eau est correcte.	Vérifier que les tuyaux d'arrivée d'eau chaude et d'eau froide ne sont pas inversés.
		Les deux tuyaux doivent être fixés et l'eau doit pénétrer dans la valve d'arrivée.
		Les robinets d'eau chaude et d'eau froide doivent être ouverts tous les deux.
		Les tamis de la valve d'arrivée d'eau de la laveuse sont peut-être obstrués.
		Éliminer toute déformation du tuyau d'arrivée.
	Détergent HE non utilisé ou utilisation excessive de détergent HE.	La mousse produite par un détergent ordinaire peut empêcher la laveuse de fonctionner correctement.
		Utiliser uniquement un détergent HE. Veiller à mesurer correctement.
		Toujours mesurer la quantité de détergent et suivre les instructions du détergent en fonction de la taille et du niveau de saleté de la charge.
	La charge de la laveuse est peut-être trop tassée.	La laveuse effectuera un rinçage moins performant si la charge est bien tassée.
		Charger les vêtements sans les tasser et de façon uniforme le long du plateau de lavage. Ne pas placer les vêtements directement au centre du plateau de lavage.
Utiliser le programme conçu pour les tissus à laver.		
Si l'on souhaite ajouter des vêtements une fois que la laveuse a démarré, n'en rajouter qu'un ou deux.		
Option Fabric Softener non sélectionnée.	Si l'on utilise de l'assouplissant pour tissu, s'assurer que l'option Fabric Softener (Assouplissant des tissu) a été sélectionnée.	
Sable, poils d'animaux, charpie, etc. sur la charge après le nettoyage	Des résidus lourds de sable, de poils d'animaux, de charpie et de détergent ou d'agent de blanchiment peuvent nécessiter un rinçage supplémentaire.	Ajouter un Extra Rinse (Rinçage supplémentaire) au programme sélectionné.
La charge est emmêlée	La laveuse n'a pas été chargée tel que recommandé.	Charger les vêtements sans les tasser et de façon uniforme le long du plateau de lavage. Ne pas placer les vêtements directement au centre du plateau de lavage.
		Réduire l'emmêlement en mêlant plusieurs types d'articles dans la charge. Utiliser le programme recommandé correspondant aux types de vêtements à laver.
	Action de lavage et/ou vitesse d'essorage trop rapide pour la charge.	Sélectionner un programme comportant un lavage plus lent et une vitesse d'essorage inférieure. Notons que les articles seront plus mouillés que si l'on utilise une vitesse d'essorage supérieure.

DÉPANNAGE

Essayer d'abord les solutions suggérées ici ou visiter notre site Web pour éviter le coût d'une intervention de dépannage...
Aux États-Unis, http://www.maytag.com/product_help – Au Canada, www.maytag.ca .

Si les phénomènes suivants se produisent	Causes possibles	Solution	
La laveuse ne fonctionne pas comme prévu (suite)			
Ne nettoie ou ne détache pas	La charge n'est pas complètement submergée dans l'eau.	Ceci correspond à un fonctionnement normal pour une laveuse HE à faible consommation d'eau. La charge ne sera pas complètement submergée. La laveuse détecte la taille de la charge et ajoute la bonne quantité d'eau pour un nettoyage optimal. Voir "Quoi de neuf sous le couvercle".	
	Davantage d'eau a été ajoutée à la laveuse.	Ne pas ajouter d'eau dans la laveuse. De l'eau supplémentaire éloignerait le linge du plateau de lavage en le soulevant, ce qui réduirait la performance de nettoyage.	
	La laveuse n'a pas été chargée tel que recommandé.	Charger les vêtements sans les tasser et de façon uniforme le long du plateau de lavage. Ne pas placer les vêtements directement au centre du plateau de lavage. Si l'on souhaite ajouter des vêtements une fois que la laveuse a démarré, n'en rajouter qu'un ou deux.	
	Détergent HE non utilisé ou utilisation excessive de détergent HE.	La mousse produite par un détergent ordinaire peut empêcher la laveuse de fonctionner correctement.	Utiliser uniquement un détergent HE. Veiller à mesurer correctement.
		Toujours mesurer la quantité de détergent et suivre les instructions du détergent en fonction de la taille et du niveau de saleté de la charge.	
		Programme utilisé incorrect par rapport au type de tissu.	Utiliser une option de programme de niveau de saleté plus élevée et une température de lavage plus chaude pour améliorer le nettoyage.
	Utiliser le programme Power Wash (Lavage haute puissance), Whites (Blancs) et Heavy Duty (Service intense) pour un nettoyage puissant.		Voir le "Guide de programmes" pour utiliser le programme qui correspond le mieux à la charge.
	Distributeurs non utilisés.		Utiliser les distributeurs pour éviter que l'agent de blanchiment au chlore ou l'assouplissant pour tissu ne tachent les vêtements.
	Remplir les distributeurs avant de démarrer un programme. Éviter de les remplir excessivement. Ne pas verser de produits directement sur la charge.		Les couleurs similaires ne sont pas lavées ensemble.
	Odeurs	L'entretien de la laveuse n'est pas effectué tel que recommandé.	Faire fonctionner le programme Clean Washer With affresh® (Nettoyage de la laveuse avec affresh®) après chaque série de 30 lavages. Voir "Entretien de la laveuse" dans la section "Entretien de la laveuse".
			Vider la laveuse dès que le programme est terminé.
		Détergent HE non utilisé ou utilisation excessive de détergent HE.	Utiliser uniquement un détergent HE. Veiller à mesurer correctement.
Toujours suivre les instructions du détergent. Voir la section "Entretien de la laveuse".			

DÉPANNAGE

Essayer d'abord les solutions suggérées ici ou visiter notre site Web pour éviter le coût d'une intervention de dépannage...
Aux États-Unis, http://www.maytag.com/product_help – Au Canada, www.maytag.ca.

Si les phénomènes suivants se produisent	Causes possibles	Solution
La laveuse ne fonctionne pas comme prévu (suite)		
Dommages aux tissus	Des objets pointus se trouvaient dans les poches au moment du programme de lavage.	Vider les poches, fermer les fermetures à glissière, les boutons pression et les agrafes avant le lavage pour éviter d'accrocher et de déchirer le linge.
	Les cordons et les ceintures se sont peut-être emmêlés.	Attacher tous les cordons et les ceintures avant de démarrer le nettoyage de la charge.
	Les articles étaient peut-être endommagés avant le lavage.	Raccommoder les déchirures et repriser les fils cassés des coutures avant le lavage.
	Les tissus peuvent subir des dommages si l'on tasse le linge dans la laveuse.	Charger les vêtements sans les tasser et de façon uniforme le long du plateau de lavage. Ne pas placer les vêtements directement au centre du plateau de lavage.
		Utiliser le programme conçu pour les tissus à laver.
		Si l'on souhaite ajouter des vêtements une fois que la laveuse a démarré, n'en rajouter qu'un ou deux.
	Les instructions de soin des vêtements n'ont peut-être pas été suivies.	Avez-vous lu et suivi les instructions d'entretien du fabricant indiquées sur l'étiquette du vêtement. Voir le "Guide de programmes" pour utiliser le programme qui correspond le mieux à la charge.
Vous n'avez peut-être pas ajouté correctement l'eau de Javel.	Ne pas verser d'eau de Javel directement sur la charge. Essuyer tous les renversements d'agent de blanchiment.	
	Un agent de blanchiment non dilué endommagera les tissus. Ne pas utiliser plus que la quantité recommandée par le fabricant.	
	Ne pas placer d'articles sur le dessus du distributeur d'agent de blanchiment lorsqu'on charge et décharge la laveuse.	
Fonctionnement incorrect du distributeur	Distributeurs obstrués ou produits de lessive distribués trop tôt.	Ne pas remplir excessivement le distributeur. Un remplissage excessif peut entraîner une distribution immédiate.
		Toujours sélectionner l'option FABRIC SOFTENER (Assouplissant pour tissu) pour garantir une bonne distribution.
		Remplir les distributeurs avant de démarrer un programme.
		Il est normal qu'il reste de petites quantités d'eau dans le distributeur une fois le programme terminé.
	Pour les domiciles présentant une basse pression d'eau, il est possible qu'il reste de la poudre dans le distributeur. Pour éviter cela, sélectionner une température de lavage plus chaude (si possible, en fonction de la charge.)	
Eau de Javel pas utilisé dans le distributeur.	Utiliser seulement de l'eau de Javel dans le distributeur d'eau de Javel.	
Le sachet de lessive à dose unique ne se dissout pas	Sachet de lessive mal utilisé.	Veiller à placer le sachet de lessive dans le panier de la laveuse avant d'ajouter les vêtements. Ne pas placer de sachet dans le distributeur. Suivre les instructions du fabricant pour éviter d'endommager les vêtements.
Un code d'erreur apparaît sur l'afficheur		
oL (surcharge) apparaît sur l'afficheur	Charge trop grosse.	Si une surcharge est détectée, la laveuse évacue tout détergent et eau présent(e) dans la laveuse. Retirer plusieurs articles et ajouter du détergent HE. Fermer le couvercle et appuyer sur START/PAUSE (Mise en marche/Pause).
uL (charge déséquilibrée) apparaît sur l'afficheur	Charge pas équilibrée. La laveuse effectue actuellement une procédure de rééquilibrage de la charge.	Laisser la machine continuer. Si un cadran clignote et que la laveuse s'est arrêtée, redistribuer la charge, fermer le couvercle et appuyer sur START/PAUSE (Mise en marche/Pause).
LF (remplissage trop long) apparaît sur l'afficheur	La laveuse met trop de temps à se remplir. Le tuyau de vidange se prolonge dans le tuyau rigide de rejet à l'égout au-delà de 4,5" (114 mm).	Inspecter le circuit de plomberie pour vérifier que le tuyau de vidange est correctement installé. Utiliser la bride de retenue pour tuyau de vidange et la fixer solidement au tuyau de rejet à l'égout ou à la cuve. Ne pas placer de ruban adhésif sur l'ouverture du système de vidange. Voir Instructions d'installation.

DÉPANNAGE

Essayer d'abord les solutions suggérées ici ou visiter notre site Web pour éviter le coût d'une intervention de dépannage...
Aux États-Unis, http://www.maytag.com/product_help – Au Canada, www.maytag.ca.

Si les phénomènes suivants se produisent	Causes possibles	Solution
Un code d'erreur apparaît sur l'afficheur (suite)		
Ld (vidange trop longue) apparaît sur l'afficheur	La laveuse met trop de temps à se vidanger. Le tuyau de vidange se prolonge dans le tuyau rigide de rejet à l'égout au-delà de 4,5" (114 mm).	Inspecter le circuit de plomberie pour vérifier que le tuyau de vidange est correctement installé. Utiliser la bride de retenue pour tuyau de vidange et la fixer solidement au tuyau de rejet à l'égout ou à la cuve. Ne pas placer de ruban adhésif sur l'ouverture du système de vidange. Voir Instructions d'installation.
		Abaisser le tuyau de vidange si l'extrémité se trouve à plus de 96" (2,4 m) au-dessus du plancher. Retirer toute obstruction du tuyau de vidange. Voir Instructions d'installation.
HC (tuyaux d'eau chaude et d'eau froide inversés) apparaît sur l'afficheur	Les tuyaux d'arrivée d'eau chaude et d'eau froide n'ont pas été installés correctement.	Ce code apparaît à la fin du programme de lavage pour indiquer qu'un tuyau d'eau froide est raccordé au point d'entrée de l'eau chaude et que le tuyau d'eau chaude est raccordé au point d'entrée de l'eau froide.
Sd (mousse excessive) apparaît sur l'afficheur	Il y a trop de mousse dans la laveuse. La laveuse exécute une procédure de réduction de la quantité de mousse.	Laisser la laveuse continuer. Utiliser uniquement un détergent HE. Toujours mesurer le détergent et baser la quantité de détergent sur la taille de la charge. Suivre les instructions du fabricant du détergent. Si le cadran clignote, sélectionner à nouveau le programme désiré à l'aide d'une température de lavage froide et appuyer sur START/PAUSE (Mise en marche/Pause). Ne pas ajouter de détergent.
dL (verrouillage couvercle impossible) apparaît sur l'afficheur	Un des articles de la charge empêche peut-être le couvercle de se verrouiller.	Vérifier qu'aucun article ne se trouve sous le couvercle.
lid (couvercle ouvert) apparaît sur l'afficheur	Le couvercle de la laveuse est resté ouvert.	Fermer le couvercle pour remettre l'affichage. Si le couvercle reste ouvert pendant plus de 10 minutes, le programme reprend depuis le début et l'eau présente dans la laveuse est vidangée.
dU (déverrouillage couvercle impossible) apparaît sur l'afficheur	Des objets sur le couvercle de la laveuse empêchent celle-ci de se déverrouiller.	Retirer les objets tels qu'un panier de linge du dessus de la laveuse.
Code F## (code d'erreur de type F) apparaît sur l'afficheur	Code d'erreur du système.	Appuyer une fois sur START/PAUSE (Mise en marche/Pause) pour effacer le code. Puis appuyer de nouveau sur START/PAUSE (Mise en marche/Pause) pour redémarrer la laveuse. Si le code réapparaît, faire un appel de service.
Fd (réglage de l'usine par défaut)	La laveuse se réinitialise et revient aux réglages d'usine par défaut.	Pour remettre tous les modificateurs et options aux paramètres d'usine, appuyer sur POWER/CANCEL (Mise sous tension/Annulation), sélectionner le programme RINSE/DRAIN & SPIN (Rinçage/vidange et essorage), puis appuyer en 5 secondes sur EXTRA RINSE, FABRIC SOFTENER, EXTRA RINSE, FABRIC SOFTENER. Lorsque cela est fait correctement, l'affichage indique "Fd" pendant 3 secondes, puis l'appareil retourne au mode de Standby (veille).

ACCESSOIRES

Voir les Instructions d'installation pour des accessoires d'installation.

Pièce numéro	Accessoire
8212526	Plateau d'égouttement de la laveuse, convient à tous les modèles
31682	Produit de nettoyage polyvalent pour appareils ménagers
1903WH	Casier de rangement de fournitures de buanderie

GARANTIE DES APPAREILS DE BUANDERIE MAYTAG®

Cette garantie limitée Maytag se substitue à et remplace la garantie limitée imprimée dans le guide d'utilisation et d'entretien pour les produits vendus aux États-Unis d'Amérique et au Canada.

GARANTIE LIMITÉE DURANT LA PREMIÈRE ANNÉE (PIÈCES ET MAIN-D'OEUVRE)

Pendant un an à compter de la date d'achat, lorsque ce gros appareil ménager est installé, utilisé, et entretenu conformément aux instructions jointes à ou fournies avec le produit, la marque Maytag de Whirlpool Corporation ou Whirlpool Canada LP (ci-après désignées "Maytag") paiera pour les pièces spécifiées par l'usine et la main-d'œuvre pour corriger les vices de matériaux ou de fabrication qui existaient déjà lorsque ce gros appareil ménager a été acheté.

GARANTIE LIMITÉE DE LA DEUXIÈME ANNÉE À LA DIXIÈME ANNÉE INCLUSIVEMENT (MOTEUR D'ENTRAÎNEMENT ET PANIER DE LAVAGE UNIQUEMENT - MAIN-D'OEUVRE NON COMPRISE)

De la deuxième à la dixième année inclusivement à compter de la date d'achat initiale, lorsque ce gros appareil ménager est installé, utilisé, et entretenu conformément aux instructions jointes au produit ou fournies avec, Maytag paiera pour le remplacement du moteur d'entraînement du panier de lavage et du panier de lavage en acier inoxydable (parois latérales uniquement) pour corriger les défauts non esthétiques de matériau ou de fabrication de ces pièces, qui empêchent le bon fonctionnement de la laveuse et qui étaient déjà présents lorsque ce gros appareil ménager a été acheté. Cette garantie limitée de 10 ans sur le moteur d'entraînement du panier de lavage et sur le panier de lavage en acier inoxydable (parois latérales uniquement) ne comprend pas la main-d'œuvre.

LE SEUL ET EXCLUSIF RECOURS DU CLIENT DANS LE CADRE DE LA PRÉSENTE GARANTIE LIMITÉE CONSISTE EN LA RÉPARATION PRÉVUE CI-DESSUS. Le service doit être fourni par une compagnie de service désignée par Maytag. Cette garantie limitée est valide uniquement aux États-Unis ou au Canada et s'applique exclusivement lorsque le gros appareil ménager est utilisé dans le pays où il a été acheté. La présente garantie limitée est valable à compter de la date d'achat initial par le consommateur. Une preuve de la date d'achat d'origine est exigée pour obtenir un service dans le cadre de la présente garantie limitée.

ÉLÉMENTS EXCLUS DE LA GARANTIE

La présente garantie limitée ne couvre pas :

1. Les pièces de rechange ou la main d'œuvre lorsque ce gros appareil ménager est utilisé à des fins autres que l'usage unifamilial normal ou lorsque les instructions d'installation et/ou les instructions de l'opérateur ou de l'utilisateur fournies ne sont pas respectées.
2. Les visites de service pour rectifier l'installation du gros appareil ménager, montrer à l'utilisateur comment utiliser l'appareil, remplacer ou réparer des fusibles ou rectifier le câblage ou la plomberie du domicile.
3. Les visites de service pour réparer ou remplacer les ampoules électriques, les filtres à air ou les filtres à eau de l'appareil. Les pièces consommables ne sont pas couvertes par la garantie.
4. Les dommages imputables à : accident, modification, usage impropre ou abusif, incendie, inondation, actes de Dieu, installation fautive ou installation non conforme aux codes d'électricité ou de plomberie, ou l'utilisation de produits non approuvés par Maytag.
5. Les défauts apparents, notamment les éraflures, les bosses, fissures ou tout autre dommage au fini du gros appareil ménager, à moins que ces dommages soient dus à des vices de matériaux ou de fabrication et soient signalés à Maytag dans les 30 jours suivant la date d'achat.
6. L'enlèvement et la livraison. Ce gros appareil ménager est conçu pour être réparé à domicile.
7. Les réparations aux pièces ou systèmes résultant d'une modification non autorisée faite à l'appareil.
8. Les frais de déplacement et de transport pour le service d'un produit si votre gros appareil ménager est situé dans une région éloignée où un service d'entretien Maytag autorisé n'est pas disponible.
9. La dépose et la réinstallation de votre gros appareil ménager si celui-ci est installé dans un endroit inaccessible ou n'est pas installé conformément aux instructions d'installation fournies par Maytag.
10. Les pièces de rechange ou la main d'œuvre pour les gros appareils ménagers dont les numéros de série et de modèle originaux ont été enlevés, modifiés ou qui ne peuvent pas être facilement identifiés.

CLAUSE D'EXONÉRATION DE RESPONSABILITÉ AU TITRE DES GARANTIES IMPLICITES

LES GARANTIES IMPLICITES, Y COMPRIS LES GARANTIES APPLICABLES DE QUALITÉ MARCHANDE OU D'APTITUDE À UN USAGE PARTICULIER, SONT LIMITÉES À UN AN OU À LA PLUS COURTE PÉRIODE AUTORISÉE PAR LA LOI. Certains États et certaines provinces ne permettent pas de limitation sur la durée de garanties implicites de qualité marchande ou d'aptitude à un usage particulier, de sorte que la limitation ci-dessus peut ne pas être applicable dans votre cas. Cette garantie vous confère des droits juridiques spécifiques, et vous pouvez également jouir d'autres droits qui peuvent varier d'une juridiction à l'autre.

LIMITATION DES RECOURS, EXCLUSION DES DOMMAGES FORTUITS OU INDIRECTS

LE SEUL ET EXCLUSIF RECOURS DU CLIENT DANS LE CADRE DE LA PRÉSENTE GARANTIE LIMITÉE CONSISTE EN LA RÉPARATION PRÉVUE CI-DESSUS. MAYTAG N'ASSUME AUCUNE RESPONSABILITÉ POUR LES DOMMAGES FORTUITS OU INDIRECTS. Certains États et certaines provinces ne permettent pas l'exclusion ou la limitation des dommages fortuits ou indirects de sorte que ces limitations et exclusions peuvent ne pas être applicables dans votre cas. Cette garantie vous confère des droits juridiques spécifiques, et vous pouvez également jouir d'autres droits qui peuvent varier d'une juridiction à l'autre.

Si vous résidez à l'extérieur du Canada et des 50 États des États-Unis, contactez votre marchand Maytag autorisé pour déterminer si une autre garantie s'applique.

Si vous avez besoin d'un service de réparation, voir d'abord la section "Dépannage" du Guide d'utilisation et d'entretien. Si vous n'êtes pas en mesure de résoudre le problème après avoir consulté la section "Dépannage", vous pouvez trouver de l'aide supplémentaire en consultant la section "Assistance ou Service" ou en appelant Maytag. Aux É.-U., composer le **1-800-688-9900**. Au Canada, composer le **1-800-807-6777**.

06/10

ASSISTANCE OR SERVICE

Before calling for assistance or service, please check "Troubleshooting" or visit www.maytag.com/help. It may save you the cost of a service call. If you still need help, follow the instructions below.

When calling, please know the purchase date and the complete model and serial number of your appliance. This information will help us to better respond to your request.

If you need replacement parts or to order accessories

We recommend that you use only Factory Specified Parts. These parts will fit right and work right because they are made with the same precision used to build every new MAYTAG® appliance.

To locate factory specified replacement parts, assistance in your area, or accessories:

Maytag Services, LLC
1-800-688-9900 www.maytag.com

1-800-901-2042 (Accessories)
www.maytag.com/accessories

Whirlpool Canada LP
Customer Assistance
1-800-807-6777
www.maytag.ca

or call your nearest designated service center or refer to your Yellow Pages telephone directory.

Our consultants provide assistance with

In the U.S.A.

- Features and specifications on our full line of appliances.
- Installation information.
- Specialized customer assistance (Spanish speaking, hearing impaired, limited vision, etc.).

In the U.S.A. and Canada

- Use and maintenance procedures.
- Accessory and repair parts sales.
- Referrals to local dealers, repair parts distributors, and service companies. Maytag® designated service technicians are trained to fulfill the product warranty and provide after-warranty service, anywhere in the United States and Canada.

You can write with any questions or concerns at:

Maytag Services, LLC
ATTN: CAIR® Center
P.O. Box 2370
Cleveland, TN 37320-2370

Customer eXperience Centre
Whirlpool Canada LP
Unit 200 - 6750 Century Ave.
Mississauga, ON L5N 0B7

Please include a daytime phone number in your correspondence.

ASSISTANCE OU SERVICE

Avant de faire un appel pour assistance ou service, veuillez vérifier la section "Dépannage" ou visiter le site www.maytag.com/help. Cette vérification peut vous faire économiser le coût d'une visite de réparation. Si vous avez encore besoin d'aide, suivre les instructions ci-dessous.

Lors d'un appel, veuillez connaître la date d'achat et les numéros au complet de modèle et de série de votre appareil. Ces renseignements nous aideront à mieux répondre à votre demande.

Si vous avez besoin de pièces de rechange

Si vous avez besoin de commander des pièces de rechange, nous vous recommandons d'utiliser seulement des pièces spécifiées par l'usine. Ces pièces conviendront et fonctionneront bien parce qu'elles sont fabriquées selon les mêmes spécifications précises utilisées pour construire chaque nouvel appareil MAYTAG®.

Pour trouver des pièces de rechange spécifiées par l'usine dans votre région :

Whirlpool Canada LP - Assistance à la clientèle
1-800-807-6777 www.maytag.ca

ou contacter votre centre de réparation désigné le plus proche ou consulter l'annuaire téléphonique des Pages Jaunes.

Nos consultants fournissent l'assistance pour :

- Procédés d'utilisation et d'entretien.
- Vente d'accessoires et de pièces de rechange.
- Les références aux concessionnaires, compagnies de service de réparation et distributeurs de pièces de rechange locaux. Les techniciens de service désignés par Whirlpool Canada LP sont formés pour remplir la garantie des produits et fournir un service après la garantie, partout au Canada.

Vous pouvez écrire en soumettant toute question ou tout problème au :
Customer eXperience Centre
Whirlpool Canada LP
Unit 200 - 6750 Century Ave.
Mississauga, ON L5N 0B7

Dans votre correspondance, veuillez indiquer un numéro de téléphone où on peut vous joindre dans la journée.