

This Owner's Manual is provided and hosted by [Appliance Factory Parts](#).



GE HDA2100R00BB Owner's Manual

[Shop genuine replacement parts for GE
HDA2100R00BB](#)



[Find Your GE Dishwasher Parts - Select From 6722 Models](#)

----- Manual continues below -----

Installation Instructions

Built-In Dishwasher

If you have questions, call 800.GE.CARES (800.432.2737) or visit our website at: GEAppliances.com
In Canada, call 1.800.561.3344 or visit www.GEAppliances.ca



BEFORE YOU BEGIN

Read these instructions completely and carefully.

IMPORTANT – Observe all governing codes and ordinances.

- **Note to Installer** – Be sure to leave these instructions for the consumer and local inspector's use.
- **Note to Consumer** – Keep these instructions with your Owner's Manual for future reference.
- **Skill Level** – Installation of this dishwasher requires basic mechanical, electrical and plumbing skills. **Proper installation is the responsibility of the installer. Product failure due to improper installation is not covered under the GE Appliance Warranty. See warranty information.**
- **Completion Time** – 1 to 3 Hours. New installations require more time than replacement installations.

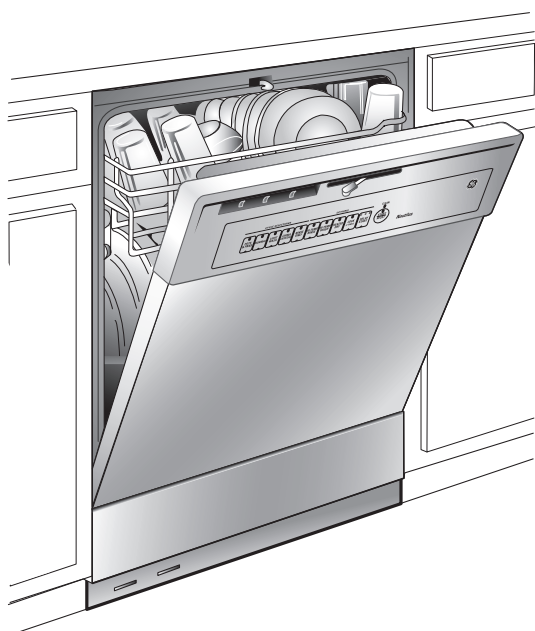
IMPORTANT – The dishwasher **MUST** be installed to allow for future removal from the enclosure if service is required.

If you received a damaged dishwasher, you should immediately contact your dealer or builder.

Optional Accessories – See the Owner's Manual for available custom panel kits.

FOR YOUR SAFETY

Read and observe all **CAUTIONS** and **WARNINGS** shown throughout these instructions. While performing installations described in this booklet, gloves and safety glasses should be worn.

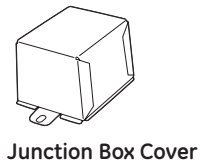
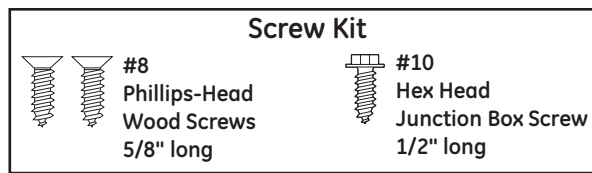


**READ CAREFULLY.
KEEP THESE INSTRUCTIONS.**

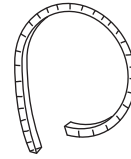
PARTS SUPPLIED IN INSTALLATION

PACKAGE:

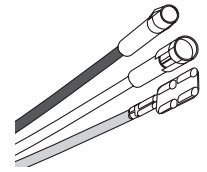
- Two 8-18 x 5/8" Phillips-head wood screws
- Junction box cover and #10 hex head screw
- Drain hose (78" long) and hose clamp
- Cord protector (Power Cord Models Only)
- Conversion leads (Power Cord Models Only)
- Literature, product samples and/or coupons



78" Drain Hose



Cord Protector
(Power Cord Models Only)



Conversion Leads
(Power Cord Models Only)



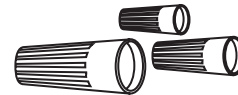
Hose Clamp

MATERIALS YOU WILL NEED:

- WX09X70910 power cord if applicable to your installation
- UL-Listed wire nuts (3)
- Thread seal tape
- 90° elbow, ferrule and compression nut – (3/8" NPT external thread on one end and opposite end sized to fit water supply)
- GPF65 Side-mount bracket kit for use with granite countertops



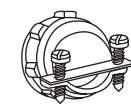
Electrical Cable
or WR09X70910
Power Cord



3 Wire Nuts



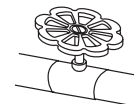
Hot Water Line-3/8"
Minimum Copper
Tubing



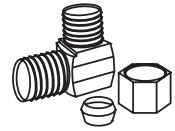
Strain Relief



Thread
Seal Tape



Shut-Off
Valve



90° Elbow, Ferrule and
Compression Nut

FOR NEW INSTALLATIONS:

- Electrical cable
- Water line-3/8" minimum copper tubing
- Strain relief for electrical connection
- Hand shut-off valve (recommended)
- Air gap for drain hose, if required
- Waste tee for house plumbing, if applicable
- GPF10S drain hose (10' long), if needed
- Screw-type hose clamps



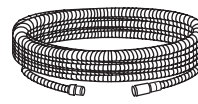
GPF65 Side-Mount
Bracket Kit



Air
Gap



Waste Tee



Optional 10'
Drain Hose
GPF10S



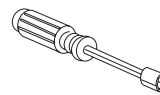
Screw-Type
Hose Clamps

TOOLS YOU WILL NEED:

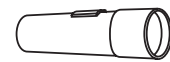
- Safety glasses
- 1/4" and 5/16" nutdrivers
- Flashlight
- Gloves
- Adjustable wrench (6")
- Phillips-head screwdriver
- Measuring tape
- Level
- Carpenter's square
- Bucket to catch water when flushing water line
- Tubing cutter
- 15/16" socket wrench



Safety Glasses



1/4" and 5/16" Nutdrivers



Flashlight



Hole Saw Set



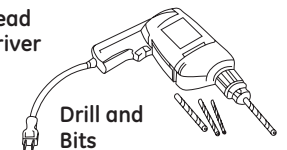
Gloves



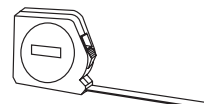
Adjustable
Wrench



Phillips-Head
Screwdriver



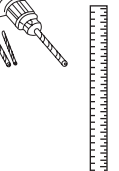
Drill and
Bits



Measuring Tape



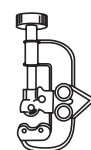
Level



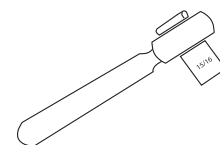
Carpenter's
Square



Bucket



Tubing
Cutter



15/16"
Socket Wrench

FOR NEW INSTALLATIONS:

- Hole saw set
- Drill and appropriate bits

Installation Preparation – Enclosure

PREPARE DISHWASHER ENCLOSURE

⚠ WARNING



To reduce the risk of shock, fire, or injury to persons, the installer must ensure that the dishwasher is completely enclosed at the time of installation.

⚠ ADVERTENCIA



Para reducir el riesgo de choque, incendio o lesión a personas, el instalador se debe cerciorar de que la lavadora esté completamente cerrada en el momento de la instalación.

- The rough cabinet opening must have a minimum width and depth of 24" and height of 34-1/2" ± 1/4" from the floor to the underside of the countertop.
- The back wall should be free of pipes or wires.
- Adjacent cabinets should be square and plumb to ensure a good fit. Refer to Figure A.
- For a corner installation, allow 2" minimum clearance between the dishwasher and the adjacent wall.
- Provide at least 27" in front of the dishwasher to allow the dishwasher door to open fully. Refer to Figure B.

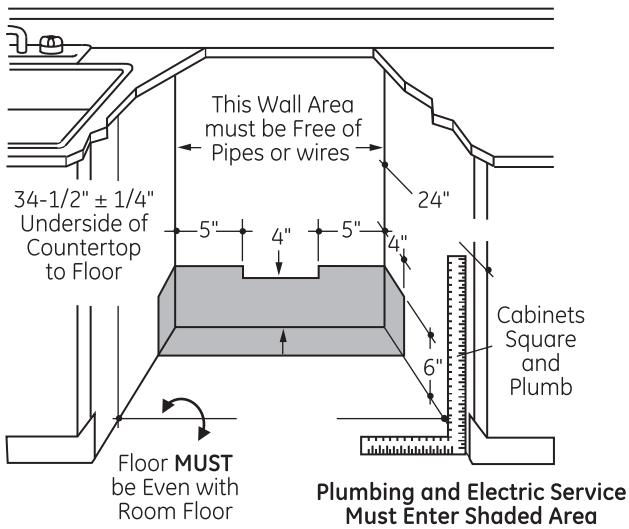


Figure A

- Make sure the floor is level inside the opening and even with the finished floor of the kitchen. This will facilitate removal of the dishwasher at a later date for service, if needed.

- The dishwasher must be installed no more than 10 feet from sink for proper drainage.
- The dishwasher must be fully enclosed on the top, sides and back.
- The dishwasher must not support any part of the enclosure.

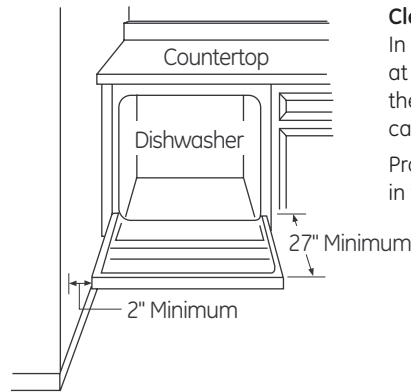


Figure B

Clearances:

In a corner installation, provide at least 2" clearance between the dishwasher and the adjacent cabinet, wall or other appliance.

Provide at least 27" of clearance in front of the dishwasher.

Installation Preparation – Drain

PREPARE DRAIN PLUMBING

Drain Requirements

- Follow local codes and ordinances.
- Drain hose must not exceed 10 feet in length.
- A high drain loop or air gap is required. See below.

Drain Method

The type of drain installation depends on the following:

- Do local codes or ordinances require an air gap?
- Is waste tee less than 18" above the floor?

If the answer to either question is **YES**, an air gap (**Method 1**) must be used. If both answers are **NO**, either an air gap or a high drain loop (**Method 2**) may be used.

Special consideration for a dishwasher installed on a pedestal

If the dishwasher is installed on an elevated platform, a high drain loop of at least 32" above the platform must be provided in addition to the air gap requirement determined above. This is necessary for proper drain performance.

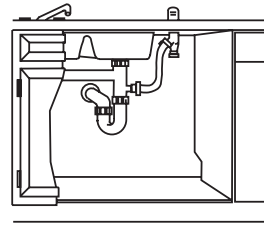
CAUTION

An air gap **MUST BE USED** if the drain hose is connected to waste tee or disposer **lower than 18" above the floor level**. Failure to provide the proper drain connection height with an air gap or 32" minimum, high drain loop will result in improper draining of the dishwasher, which may cause damage.

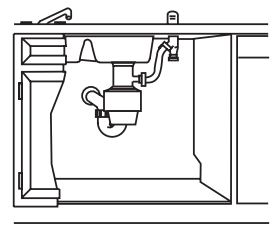
PRECAUCIÓN

SE DEBE USAR un espacio de aire si la manguera de drenaje se conecta a la T de desechos o al triturador **menos de 18" por encima del nivel del piso**. No disponer la altura correcta de la conexión del drenaje con un espacio de aire o 32" de mínimo, una curva alta de drenaje resultará en un drenaje incorrecto de la lavadora, lo que puede causar daños.

METHOD 1 – Air Gap with Waste Tee or Disposer



Waste Tee Installation

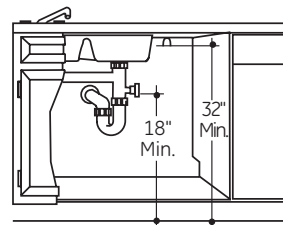


Disposer Installation

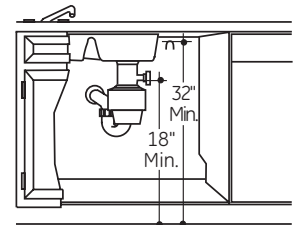
Figure C

METHOD 2 – High Drain Loop with Waste Tee or Disposer

Provide a method to attach the drain hose to the underside of countertop. Attachment will be made in a later step.



Waste Tee Installation



Disposer Installation

Figure D

Install waste tee or disposer and the air gap according to the manufacturer's instructions.

Cabinet Preparation

Drill a 1-1/2" diameter hole in the cabinet wall within the shaded area shown in Figure A for the drain hose. Make sure there are no sharp edges. The drain hose will be passed through this hole and connected to the drain in a later step.


IMPORTANT – When connecting the drain line to a disposer, check to be sure that drain plug has been removed. Dishwasher will not drain if plug is left in place.



Installation Preparation – Electrical Supply


PREPARE ELECTRICAL WIRING

⚠ WARNING



FOR PERSONAL SAFETY: Remove house fuse or open circuit breaker before beginning installation. Do not use an extension cord or adapter plug with this appliance.

⚠ ADVERTENCIA



PARA SEGURIDAD PERSONAL: Retire el fusible de la casa o abra el interruptor de circuitos antes de empezar la instalación. No use un cable de extensión o enchufe adaptador con este aparato.

Electrical Requirements

- This appliance must be supplied with 120V, 60 Hz., and connected to an individual properly grounded branch circuit, protected by a 15- or 20-ampere circuit breaker or time-delay fuse.
- Wiring must be 2 wire with ground.
- If the electrical supply does not meet the above requirements, call a licensed electrician before proceeding.


Grounding Instructions – Permanent Connection

This appliance must be connected to a grounded-metal, permanent wiring system, or an equipment-grounding conductor must be run with the circuit conductors and be connected to the equipment-grounding terminal or lead on the appliance.

Grounding Instructions – Power Cord Models

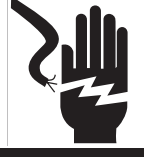
This appliance must be grounded. In the event of a malfunction or breakdown, grounding will reduce the risk of electric shock by providing a path of least resistance for electric current. This appliance is equipped with a cord having an equipment-grounding conductor and a grounding plug. The plug must be plugged into an appropriate outlet that is installed and grounded in accordance with all local codes and ordinances.

⚠ WARNING



The improper connection of the equipment-grounding conductor can result in electric shock. Check with a qualified electrician or service representative if you are in doubt that the appliance is properly grounded. Do not modify the plug provided with the appliance; if it will not fit the outlet, have a proper outlet installed by a qualified technician.

⚠ ADVERTENCIA



La conexión incorrecta del conductor de conexión a tierra del equipo puede resultar en choque eléctrico. Consulte con un electricista calificado o representante de servicio si tiene dudas de la conexión a tierra del aparato. No modifique el enchufe que se suministra con el aparato; si no calza en el tomacorrientes, haga que un técnico calificado le instale un tomacorrientes adecuado.

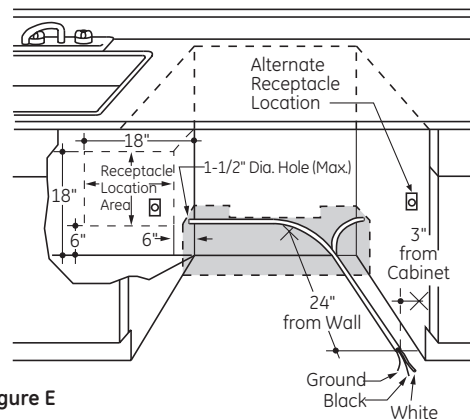
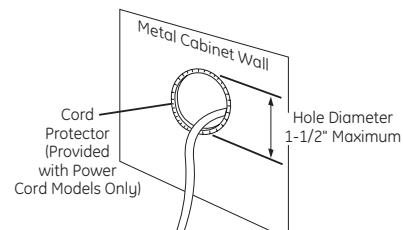


Figure E

Cabinet Preparation and Wire Routing

- The wiring may enter the opening from either side, rear or floor within the shaded area illustrated above in Figure E and defined in Figure A.
- Cut a 1-1/2" maximum diameter hole to insert the electrical cable. Permanent wiring connections may pass through the same hole as the drain hose and hot water line, if convenient. Hole edges must be smooth and rounded. If the cabinet wall is metal, the hole edge must be covered with a cord protector.

NOTE: Power cords with plug must pass through a separate hole.



Electrical Connection to Dishwasher

Electrical connection is on the right front of dishwasher.

- For permanent connections, the cable must be routed as shown in Figure E. The cable must extend a minimum of 24" from the rear wall.
- For power cord connections, install a 3-prong grounding-type receptacle in the adjacent cabinet rear wall, between 6" and 18" from the opening, 6" to 18" above the floor as shown in Figure E.

Installation Preparation – Hot Water Supply

PREPARE HOT WATER SUPPLY

Hot Water Line

- The line may enter from either side, rear or floor within the shaded area shown in Figure F.
- The line may pass through the same hole as the electrical cable and drain hose, or cut an additional 1-1/2" diameter hole to accommodate the water line. If a power cord with plug is used, the water line must not pass through the power cord hole.

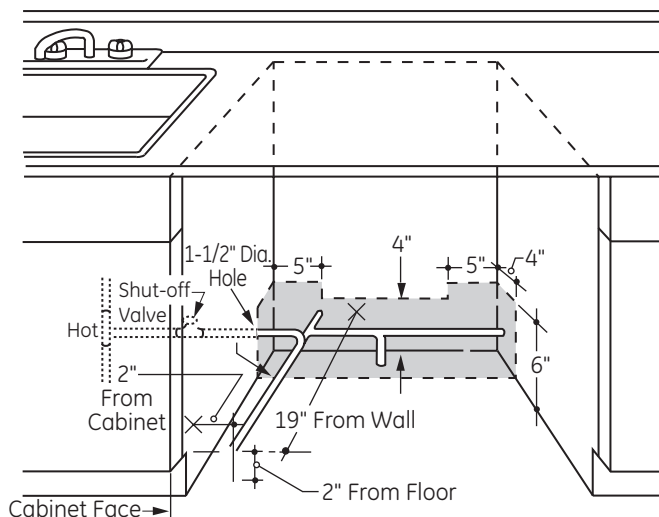


Figure F

Water Line Connection

- Turn off the water supply.
- Install a hand shut-off valve in an accessible location, such as under the sink. (Optional, but strongly recommended and may be required by local codes.)
- The water connection is on the left side of the dishwasher. Install the hot water inlet line, using 3/8" or larger copper tubing. Route the line as shown in Figure F and extend forward at least 19" from rear wall.
- Adjust the water heater to deliver water between 120°F and 150°F.
- Flush water line to clean out debris. Use a bucket to catch water and debris.
- The hot water supply line pressure must be between 20 and 120 PSI.



CAUTION

The hot water supply line pressure must be at least 20 PSI. Lower pressures could cause the water valve to leak and cause water damage.



PRECAUCIÓN

La línea de presión del suministro de agua caliente debe ser al menos 20 PSI. Presiones inferiores podrían causar que la válvula del agua gotee y causar daños por agua.

Dishwasher Installation



CAUTION

Do not remove the wood base until you are ready to install the dishwasher. The dishwasher will tip over when the door is opened if the base is removed.



PRECAUCIÓN

No retire la base de madera hasta que esté listo para instalar la lavadora de platos. Cuando la puerta se abra, la lavadora de platos se inclinará si la base se retira.

STEP 1: PREPARATION

Locate the items in the installation package and set them aside for use in the listed steps.

- Screw kit – Steps 5 or 16 and 13
- Junction box cover – Steps 5 or 16
- Drain hose and drain hose clamp – Step 7
- Owners' Manual – Steps 18 and 21
- Product Samples and/or coupons – Step 21
- Conversion leads (Factory-equipped power cord models only) – Appendix

STEP 2: CHECK DOOR BALANCE

- With the dishwasher on the wood base, check the door balance by opening and closing the door.
- The door is properly balanced if it gently drops from a 1/2 open position and does not rise from the full open position.
- If necessary, increase or decrease tension as shown. Latch the door and adjust springs to correct balance.

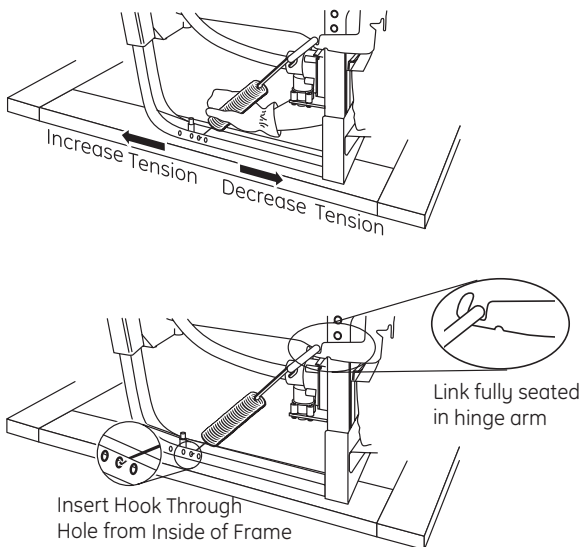


Figure G

Tip: Avoid service calls for door balance problems. Make sure the spring end is fully engaged in a frame hole and the spring link is fully seated in the hinge arm.

STEP 3: REMOVE WOOD BASE

IMPORTANT – Do not kick off wood base! Damage will occur.

- Move the dishwasher close to the installation location and lay it on its back.
- Remove the four leveling legs from the underside of the wood base with a 15/16" socket wrench.
- Remove and discard wood base.

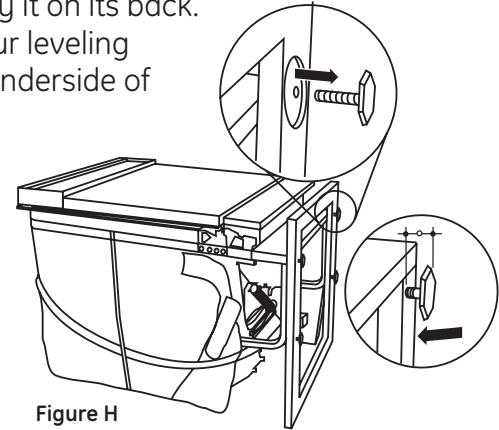


Figure H

- Screw leveling legs back into the dishwasher frame, approximately 3/4" from the frame, as shown.

STEP 4: REMOVE ACCESS PANEL AND TOEKICK

The top mounting holes in the access panel are slotted.

- Remove the lower two 10-16 x 3/8" sheet metal screws. Do not remove the two top 8-32 x 1/4" machine thread screws.
- Slide the access panel to the left as far as it will go.
- Gently pull the access panel forward to remove it from the top screws.

Set access panel, toekick and screws aside for use in Step 20.

Tip: Prevent tub damage.

Remove only the 3/8" sheet metal screws in this step. This will help prevent a mix-up with the 1/4" machine thread screws in Step 20.

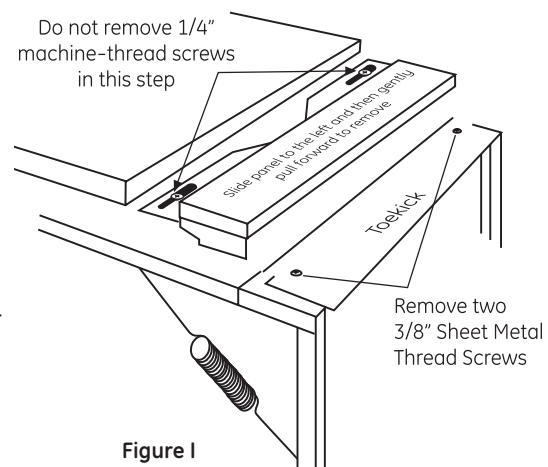


Figure I

Dishwasher Installation

STEP 5: INSTALL POWER CORD

Skip this step if the dishwasher will be permanently connected to the house electrical system or has a factory-installed power cord.

In this step you will need the junction box cover and the #10 x 1/2" hex-head screw from the screw kit set aside in Step 1.

The power cord and connections must comply with the National Electrical Code, Section 422 and/or local codes and ordinances. Maximum power cord length is 6 feet. Power Cord Kit WX09X70910, available for purchase from an authorized GE appliance dealer, meets these requirements.

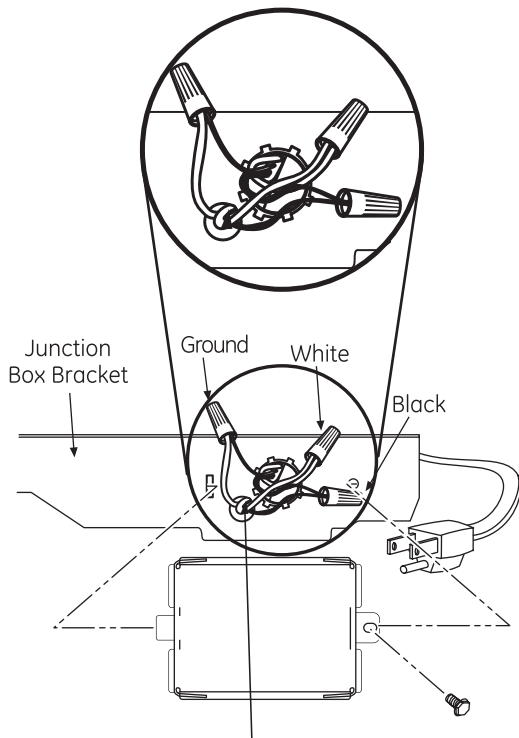


Figure J

- Install strain relief in the junction box bracket.
- Insert the power cord through the strain relief and tighten.
- Make sure black, white and green dishwasher wires are threaded through the small hole in the junction box bracket.
- Connect power cord white (or ribbed) to dishwasher white, black (or smooth) to dishwasher black and ground to dishwasher green wire. Use UL-listed wire nuts of appropriate size.
- Install junction box cover using the #10 hex-head screw. Be sure wires are not pinched under the cover.

STEP 6: INSTALL 90° ELBOW

- Wrap a 90° elbow with thread seal tape.
- Thread the 90° elbow into the water valve.
- Do not overtighten the elbow; water valve bracket could bend or the valve fitting could break.
- Position the end of the elbow to face the rear of the dishwasher.

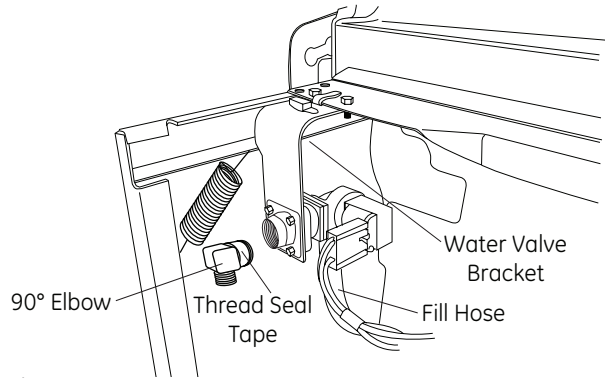


Figure K

STEP 7: INSTALL DRAIN HOSE TO DISHWASHER DRAIN PORT

Skip this step if drain hose has been preinstalled.

In this step you will need the drain hose and clamp set aside in Step 1.

IMPORTANT – Prevent drain hose damage and possible leaks. Be careful not to nick or cut the drain hose.

- Route the small end of the drain hose from the left side of the dishwasher through the strain relief attached to the dishwasher frame and toward the center of the dishwasher as shown in Figures L and M.
- Place the hose clamp over the small end of the drain hose.
- Push the small end of the drain hose over the drain port on the collection chamber, making sure it is fully seated against the hose stop.
- Tighten the hose clamp to at least 15 inch-pounds of torque.

Dishwasher Installation

Note: The drain hose supplied with the dishwasher is approximately 78" long. If a longer hose is needed, a 10-foot-long hose may be purchased from an authorized GE appliance dealer. The 10-foot-long hose is part number **GPF10S**.

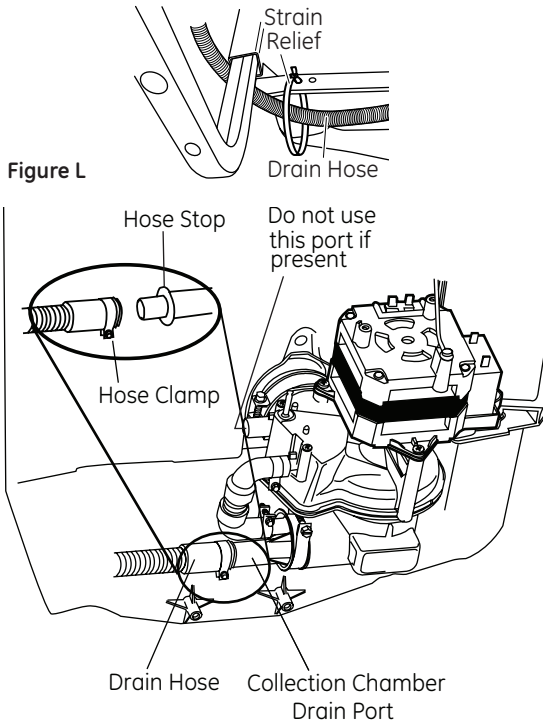


Figure M

Tip: Avoid unnecessary service charges for drain issues.

Make sure the drain hose connection is leak-free and the hose is routed through the strain relief so it will not kink when the dishwasher is installed into the cabinet.

STEP 9: INSERT DRAIN HOSE AND POWER CORD, IF USED, THROUGH CABINET

- Upright the dishwasher and position it in front of the cabinet opening.
- Insert the drain hose into the hole previously drilled in the cabinet wall.
- If a power cord is used, guide the end of the cord through a separate hole cut for the power cord.

The power cord should be routed directly to the rear of the junction box, avoiding contact with the door spring and other dishwasher components.

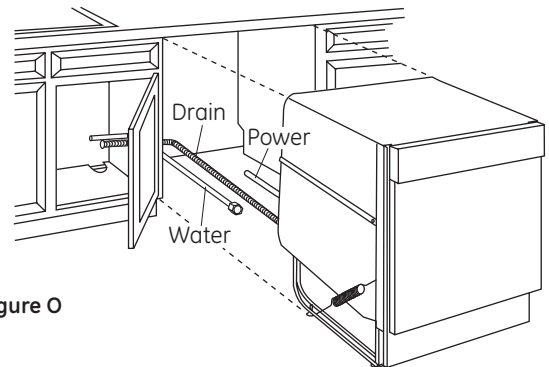


Figure O

Tip: Avoid unnecessary service charges for no fill, drain or noise concerns.

Position utility lines so they do not interfere with anything under or behind the dishwasher.

STEP 10: INSTALL OPTIONAL GPF65 SIDE MOUNT BRACKETS

Skip this step if the underside of countertop is wood or woodlike material.

- Purchase and install the **GPF65** side-mount bracket kit if the underside of counter is granite or a similar material that will not accept wood screws. The **GPF65** kit is available from authorized GE appliance dealers.
- Refer to Figure P and follow the instructions included in the kit.

STEP 8: POSITION WATER LINE AND POWER SUPPLY

- Position the water supply line and house wiring on the floor of the opening to avoid interference with the base of the dishwasher and components under the dishwasher.

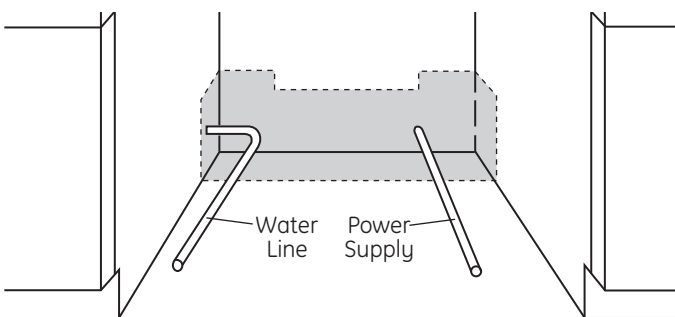


Figure N

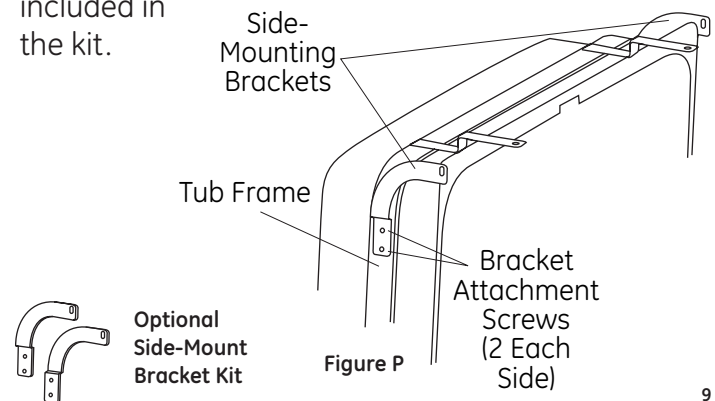


Figure P

Dishwasher Installation

STEP 11: SLIDE DISHWASHER INTO CABINET

IMPORTANT – Do not push against the front panel with knees. Damage will occur.

- Grasp the sides of the front panel and slide the dishwasher into the opening a few inches at a time. Pull the drain hose and power cord, if equipped, through the holes in the adjacent cabinet while sliding the dishwasher into position.



Figure Q

- Check the tub insulation blanket, if equipped, to be sure it is smoothly wrapped around the tub. It should not be “bunched up” and it must not interfere with the door springs. If the insulation is “bunched up” or interfering with the springs, straighten and re-center the blanket prior to sliding the dishwasher into its final position.
- Make sure the drain hose is not kinked under or behind the dishwasher.
- Make certain the house wiring, drain line and water line do not interfere with components under the dishwasher.
- The dishwasher tub flange should be approximately 3/4" behind the face of the adjacent cabinet. Refer to Figure R.

Tip: Avoid unnecessary service charges for panel damage.

Do not press on the center of panel with hands or knees when sliding dishwasher into position.

STEP 12: POSITION AND LEVEL DISHWASHER

IMPORTANT – Dishwasher must be level for proper dish rack operation, wash performance and door operation. The dishwasher must be leveled left to right and front to back. This ensures that the dish racks will not roll in or out on their own, circulation water will flow to the pump inlet, and the door will close without hitting the side of the tub.

- Remove the lower dish rack and place a level on the door and lower rack track as shown in Figure R.

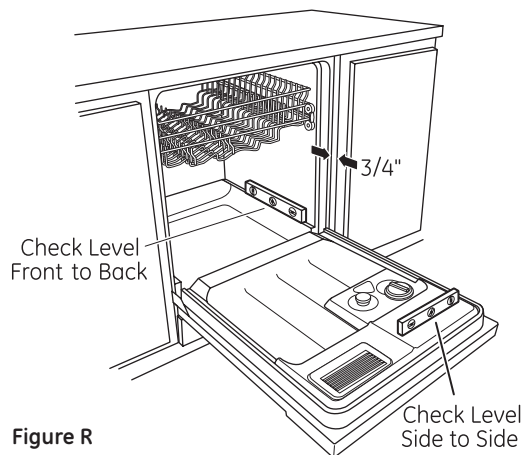


Figure R

- Adjust the level of the dishwasher by individually turning the four legs on the bottom of the dishwasher as illustrated in Figure S.

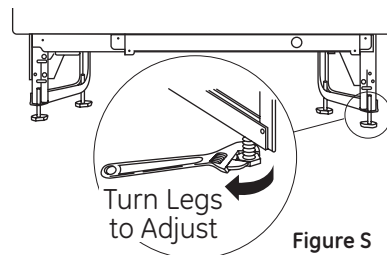


Figure S

- The dishwasher is properly leveled when the level indicator is centered left to right and front to back. The dishwasher door should close without hitting the sides of the tub.
- Replace the lower rack.

Tip: Avoid unnecessary service charges for poor wash performance and rack operation.

Pull the dish racks half way out. They should remain stationary. Open and close the door. The door should fit in the tub opening without hitting the side of the tub. If the racks roll on their own, or the door hits the side of the tub, relevel the dishwasher.

Dishwasher Installation

STEP 13: FASTEN DISHWASHER TO UNDERSIDE OF COUNTERTOP OR SIDES OF CABINET

In this step you will need the two 5/8" Phillips-head wood screws set aside in Step 1.

IMPORTANT – Dishwasher must be centered in cabinet opening. Interference with cabinets or countertop will cause leaks and damage to the door panel and/or control panel.

- If countertop is wood or woodlike material, fasten the dishwasher to the countertop by driving the Phillips head screws through the countertop brackets and into the countertop.
- If the countertop is granite or similar material, drive Phillips screws through side mount brackets and into the adjacent cabinets.
- Make sure screws are driven straight and flush to prevent interference with door operation and damage to the control panel. See Figure T.

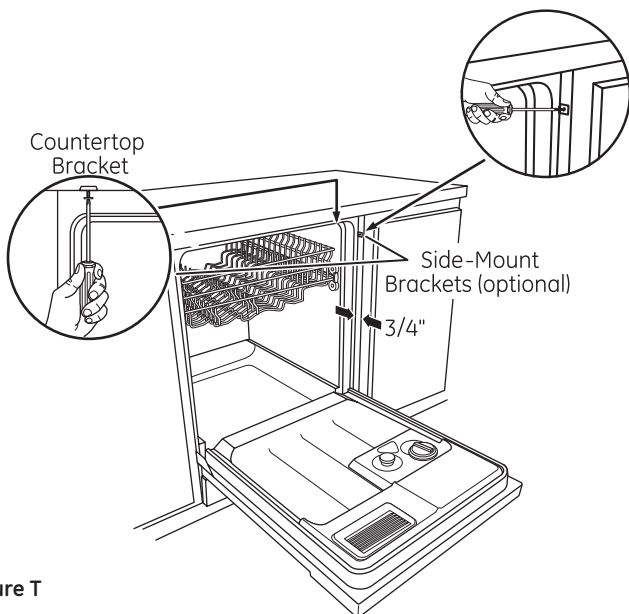


Figure T

Tip: Avoid unnecessary service charges for leaks or control panel damage.

Make sure the dishwasher is centered in the cabinet and the door opens and closes freely without hitting the adjacent cabinets. Drive mounting screws straight and flush.

STEP 14: CONNECT WATER SUPPLY

Connect the water supply line to the 90° elbow installed in Step 6.

- Slide the compression nut and then the ferrule over the end of the water line.
- Insert the water line into the 90° elbow.
- Slide the ferrule against the elbow and secure with the compression nut.

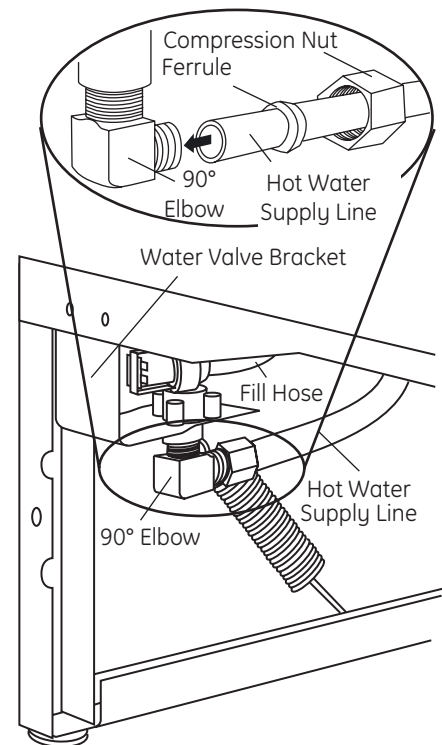


Figure U

IMPORTANT – Check to be sure the door spring does not rub or contact the fill hose or water supply line. Test by opening and closing the door. Reroute the water supply lines or slightly bend the water valve bracket if a rubbing noise or interference occurs.

Tip: Avoid unnecessary service charges for noise or leaks.

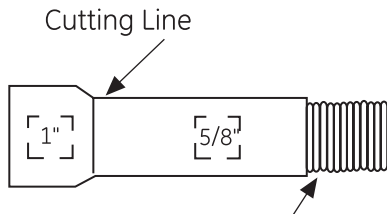
Make sure the door spring does not rub against the fill hose or water supply line.

Dishwasher Installation

STEP 15: CONNECT DRAIN LINE

The molded end of the drain hose will fit 5/8" through 1" diameter inlet ports on the air gap, waste tee or disposer.

- Determine the size of the inlet port
- Cut the drain hose connector on the marked line, if required, to fit the inlet port.



IMPORTANT: Do not cut corrugated portion of hose

Figure V

- If a longer drain hose is required, and you did not purchase the GPF10S drain hose, add up to 42" length, for a total of 120" (10 feet), to the factory-installed hose. Use 5/8" or 7/8" inside diameter hose and a coupler to connect the two hose ends.

Secure the connection with hose clamps.

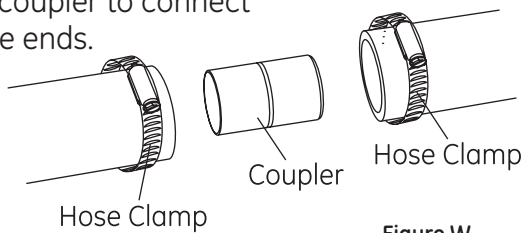
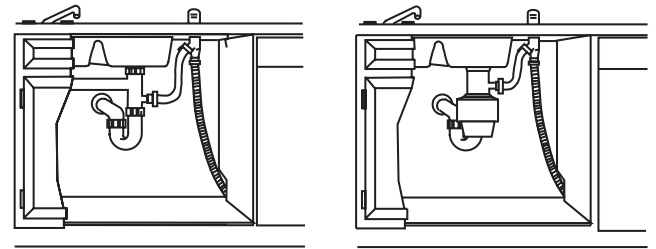


Figure W

IMPORTANT – Total drain hose length must not exceed 10 feet for proper drain operation.

- Connect drain line to air gap, waste tee, or disposer using the previously determined method. Secure the hose with a screw-type clamp.

Method 1 – Air gap with waste tee or disposer



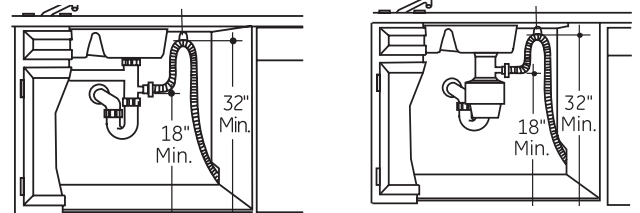
Waste Tee Installation

Disposer Installation

Figure X

Method 2 – "High drain loop" with waste tee or disposer

Fasten the drain hose to the underside of the countertop with a hanger.

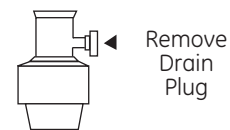


Waste Tee Installation

Disposer Installation

Figure Y

IMPORTANT – When connecting the drain line to a disposer, check to be sure that the drain plug has been removed. Dishwasher will not drain if plug is left in place.



Tip: Avoid unnecessary service call charges for a "no drain" complaint.

Make sure any excess drain hose has been pulled through the cabinet opening. This will prevent excess hose in the dishwasher cavity from becoming kinked or crushed by the dishwasher. Make sure the disposer plug has been removed if the drain hose is connected to a disposer.

Dishwasher Installation

STEP 16: CONNECT POWER SUPPLY

If a power cord with plug is already installed, proceed to Step 17.

If the dishwasher came with a factory-installed power cord and you want to convert it to a permanent connection, refer to the instructions on page 16.

⚠ WARNING If house wiring is not 2-wire with a ground wire, a ground must be provided by the installer.

When house wiring is aluminum, be sure to use U.L. listed anti-oxidant compound and aluminum-to-copper connectors.

⚠ ADVERTENCIA Si el cableado de la casa no es de 2 cables con un cable de conexión a tierra, el instalador debe suministrar una conexión a tierra.

Cuando el cableado de la casa es en aluminio, cerciőrese de usar un compuesto anti-oxidante aprobado por U.L. y un compuesto de aluminio a cobre.

- Secure house wiring to the back of the junction box bracket with a strain relief.
- Locate the three dishwasher wires (white, black and green) with stripped ends. Insert dishwasher wires through the small hole in the junction box bracket. Use UL-listed wire nuts of appropriate size to connect incoming ground to green, white to white and black to black.

Note: Check that harness leads are threaded through small hole in bracket

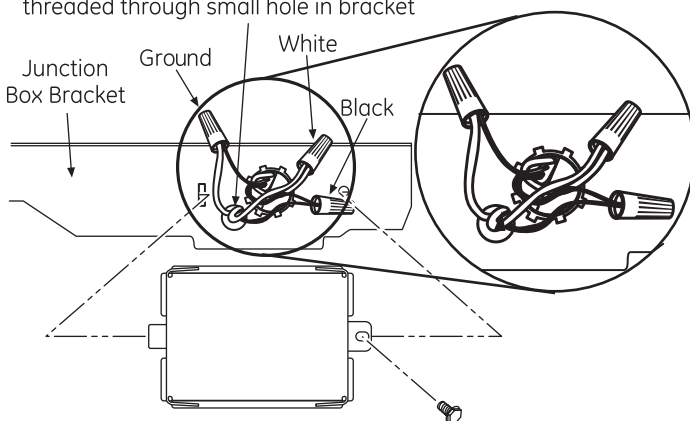


Figure 2

STEP 17: INSTALL JUNCTION BOX COVER

If junction box cover is already installed, skip to Step 18.

In this step you will need the junction box cover and the #10 hex-head screw from the screw kit set aside in Step 1.

- Install the junction box cover using the #10 hex-head screw. Check to be sure that wires are not pinched under the cover.

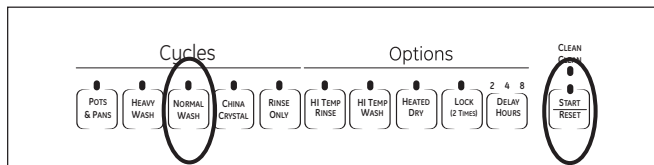
STEP 18: PRETEST CHECKLIST

- Verify that power is turned off at the source.
- Open the dishwasher door and remove all foam and cardboard packaging.
- Read the Owner's Manual to familiarize yourself with the operation of the dishwasher.
- Check to be sure that the wiring is secure under the dishwasher and not pinched or in contact with door springs or other dishwasher components.
- Check that the door spring does not contact the water line, fill hose, or adjacent cabinets. See Steps 13 and 14.
- Pull lower rack about halfway out. Check to be sure it does not roll back into dishwasher or further out. If it does, relevel the dishwasher. See Step 12.
- Check to be sure control panel does not touch adjacent cabinets. If it does, reposition the dishwasher. See Step 13.
- Turn on the hot water faucet at the sink to verify that the water temperature is at least 120°F and not more than 150°F. Adjust water heater if necessary.
- Add two quarts of water to the bottom of the dishwasher to lubricate the pump seal.
- Turn on water supply.
- Check for water leaks. Tighten connections if necessary. See Step 14.
- Remove the protective film, if present, from the control panel, access panel and door panel.

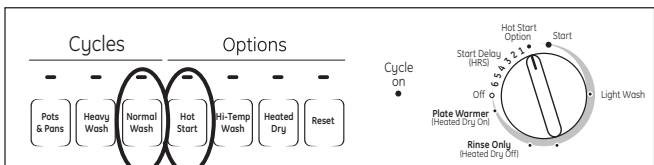
Dishwasher Installation

STEP 19: DISHWASHER WET TEST CHECKLIST

- Turn on power supply or if power cord is used, plug it into the wall outlet.
- Latch dishwasher door.
- For electronic dishwashers, select the **NORMAL WASH** cycle and press the **START** pad one time.

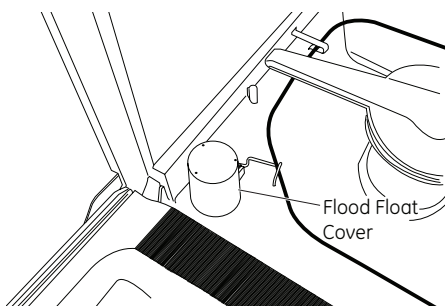


- For dial models, press the **NORMAL** and **HOT START** pads, if model has them, and then turn the control dial just enough to start the dishwasher. Be careful not to turn the dial past the first water fill. Dial should point to "Hot Start Option" or "Hot Prewash Option" depending on model.

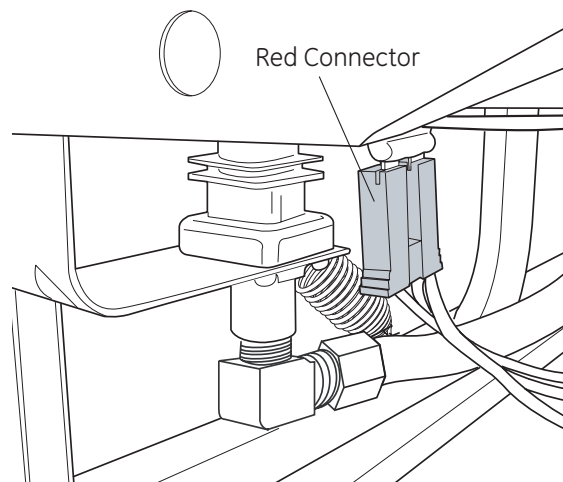


Appearance varies by model. Not all models have push buttons.

- Check to be sure that water enters the dishwasher. This could take up to 4 minutes.
If water does not enter the dishwasher:
 - Check to be sure that the water is turned on.
 - Lightly tap the flood float cover to dislodge a stuck flood float.



- Check the electrical connection to the water valve. The red electrical connector should be plugged into the dishwasher water valve. If it is not plugged in, turn off electrical power to the dishwasher. Plug the red connector into the dishwasher water valve and then restore power.



- Check for leaks under the dishwasher. If a leak is found, turn off power, tighten connections and restore power.
- Check for leaks around the door. A leak around the door could be caused by the dishwasher door rubbing or hitting adjacent cabinets. Reposition the dishwasher if necessary. See Steps 11, 12 and 13.
- Most dishwasher models will drain about 3 minutes after the first fill. Check the drain line for leaks when dishwasher drains. If leaks are found, turn off power, correct as necessary and then restore power.
- Open the dishwasher door and make sure most of the water has drained. If the water does not drain, check to be sure disposer plug has been removed and/or air gap is free of debris.
- Let the dishwasher run through another fill and drain cycle. Check again to be sure there are no leaks.
- At the end of the second drain, push the reset pad on electronic models. For dial models, unlatch the door and rotate the dial to the "Off" position.

Dishwasher Installation

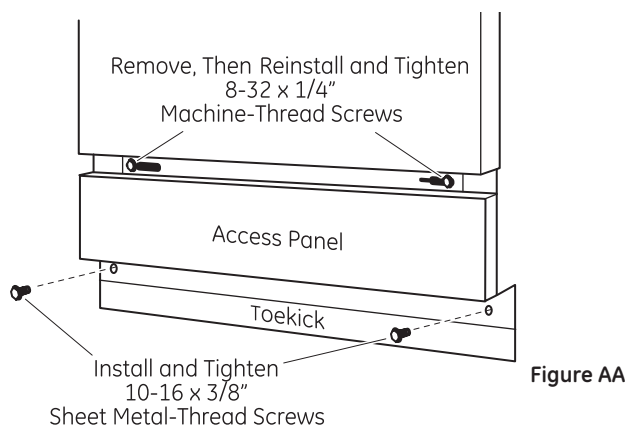
STEP 20: REPLACE ACCESS PANEL AND TOEKICK

In this step you will need the panels and the two screws set aside in Step 4.

There are two types of screws used. The 8-32 x 1/4" screws are used at the top of the access panel and should still be in place. The 10-16 x 3/8" screws are used at the bottom of the access panel and secure both the access panel and toekick.

IMPORTANT – Screws are not interchangeable. To prevent damage to your dishwasher, use the proper screw in the proper location. Do not mix screw types or lengths.

- Place the toekick against the legs of the dishwasher.
- Remove the two 8-32 x 1/4" machine-thread screws.
- Align the access panel to the dishwasher.
- Select the two 8-32 x 1/4" machine-thread screws just removed and insert them through the top holes in the access panel and into the dishwasher frame.
- Tighten these screws.
- Align the toekick and make sure the bottom edge is against the floor.
- Insert and tighten the two 10-16 x 3/8" sheet metal thread screws, making sure the bottom edge of the toekick stays in contact with the floor.



Tip: Prevent tub damage and reduce sound from under the dishwasher.

Use the machine-thread screws in the top holes and the sheet metal-thread screws in the bottom holes. Make sure the toekick is against the floor.

STEP 21: LITERATURE

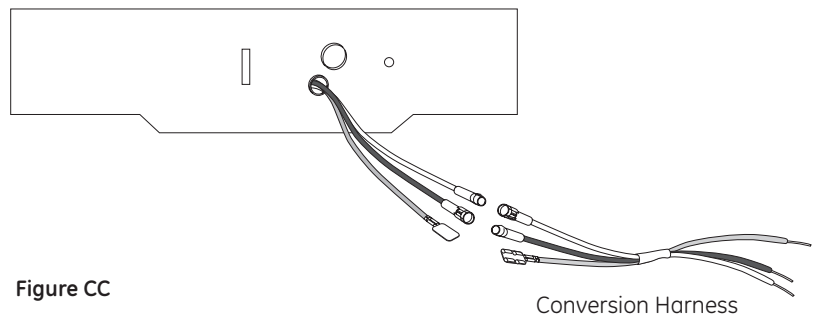
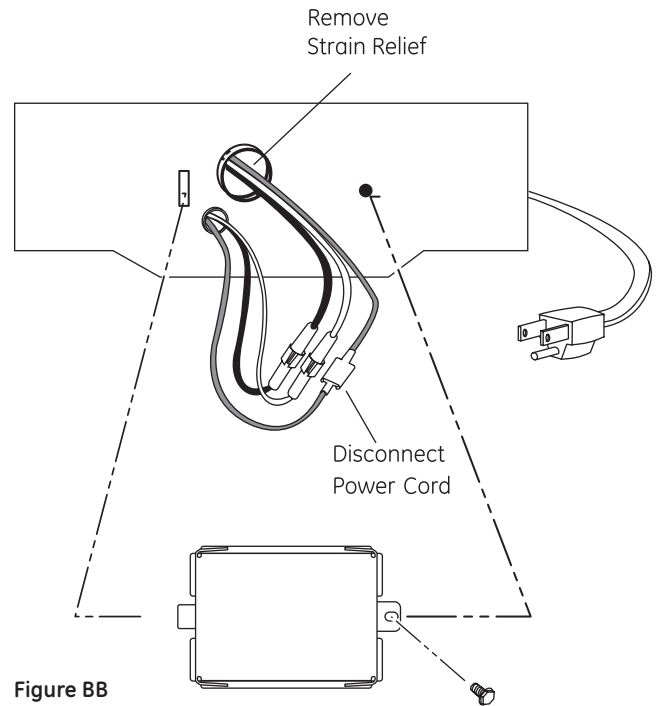
- Leave the Owners' Manual, Installation Instructions, samples and/or coupons with consumer.

Appendix

CONVERTING DISHWASHER WITH FACTORY-EQUIPPED POWER CORD TO A PERMANENT CONNECTION

This procedure requires the conversion leads set aside in Step 1.

- Make sure the power cord for the dishwasher is unplugged from the wall outlet.
- Remove screw from junction box cover and remove cover if present.
- Disconnect the three power cord conductors from the dishwasher harness. See Figure BB.
- Remove and discard the power cord.
- Connect the conversion harness (included with dishwasher) to the dishwasher harness by connecting like-colored wires. See Figure CC.
- Return to Step 16 in these instructions to complete the conversion.



SPECIFICATIONS SUBJECT TO CHANGE WITHOUT NOTICE



GE Consumer & Industrial
General Electric Company
Louisville, Kentucky 40225
GEAppliances.com

206C1559P195 31-30255
07-09 JR

Instructions d'installation

Lave-vaisselle encastré

Pour toute question, composez le 1.800.561.3344 ou visitez notre site Web :
www.electromenagersge.ca

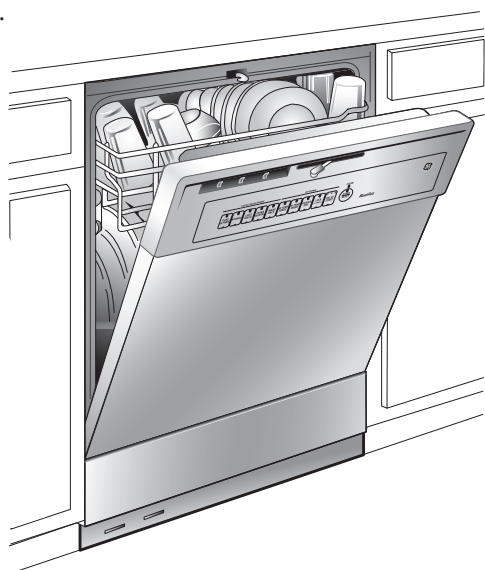


AVANT DE COMMENCER

Veuillez lire attentivement toutes les directives qui suivent.

IMPORTANT – Observez tous les codes et ordonnances en vigueur.

- **Note à l'installateur** – Veuillez laisser les présentes directives au consommateur pour l'inspecteur local.
- **Note au consommateur** – Veuillez conserver les présentes directives avec votre Manuel d'utilisation pour consultation ultérieure.
- **Compétences requises** – L'installation de ce lave-vaisselle exige des compétences de base en mécanique, en électricité et en plomberie. **L'installateur est responsable de la qualité de l'installation. Toute défaillance du produit attribuable à une installation inadéquate n'est pas couverte par la garantie de GE. Reportez-vous à la garantie du produit.**
- **Durée de l'installation** – Entre 1 et 3 heures. L'installation d'un nouveau lave-vaisselle exige plus de temps que le remplacement d'un ancien modèle.



IMPORTANT – Le lave-vaisselle DOIT être installé de manière à ce qu'il puisse être sorti de son emplacement si des réparations sont nécessaires.

Si le lave-vaisselle que vous avez reçu est endommagé, communiquez immédiatement avec votre détaillant ou l'entrepreneur en construction.

Accessoires facultatifs – Reportez-vous au Manuel d'utilisation pour connaître les ensembles pour panneau décoratif personnalisé offerts.

POUR VOTRE SÉCURITÉ

Veuillez lire et observer toutes les mises en garde (ATTENTION et AVERTISSEMENT) données dans les présentes directives. Pour effectuer l'installation décrite dans les présentes directives, il faut porter des gants et des lunettes de sécurité.

**VEUILLEZ LIRE ATTENTIVEMENT ET
CONSERVER CES DIRECTIVES.**

PIÈCES FOURNIES :

- Deux vis à bois Phillips n° 8-18 x 15,8 mm (5/8 po)
- Couvercle de la boîte de jonction et vis à tête hexagonale n° 10
- Boyau de vidange (198 cm [78 po] de long) et collier
- Protège-cordon d'alimentation (modèles dotés d'un cordon d'alimentation seulement)
- Fils pour la conversion (modèles dotés d'un cordon d'alimentation seulement)
- Documentation, échantillons et/ou bons

MATÉRIEL NÉCESSAIRE :

- Cordon d'alimentation WX09X70910, si nécessaire pour votre installation
- Connecteurs vissables homologués UL (3)
- Ruban pour joints filetés
- Coude de 90°, bague et écrou à compression (filetage externe NPT de 9,5 mm [3/8 po] à une extrémité et l'autre extrémité conçue pour le raccordement à la conduite d'alimentation en eau)
- Ensemble de supports de montage latéraux GPF65 si le comptoir est en granite

POUR UNE NOUVELLE INSTALLATION :

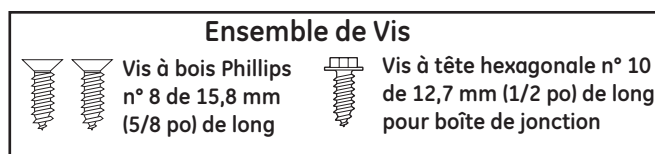
- Câble électrique
- Conduite d'alimentation en eau-tuyau en cuivre d'au moins 9,5 mm (3/8 po)
- Bague anti-traction pour le raccordement électrique
- Robinet d'arrêt (recommandé)
- Coupure anti-refoulement pour le boyau de vidange, si nécessaire
- Raccord en T pour la plomberie de la résidence, s'il y a lieu
- Boyau de vidange GPF10S (3 m / 10 pi de long), si nécessaire
- Colliers à vis sans fin

OUTILS NÉCESSAIRES :

- Lunettes de sécurité
- Tourne-écrous de 6,3 mm (1/4 po) et de 7,9 mm (5/16 po)
- Lampe de poche
- Gants
- Clé à molette (15,2 cm [6 po])
- Tournevis Phillips
- Ruban à mesurer
- Niveau
- Équerre de charpentier
- Seau pour recueillir l'eau lors du rinçage de la conduite d'eau
- Coupe-tubes
- Clé à douille de 23,8 mm (15/16 po)

POUR UNE NOUVELLE INSTALLATION :

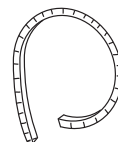
- Jeu de scies-clochet
- Perceuse et forets appropriés



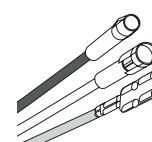
Boyau de vidange de 198 cm (78 po)



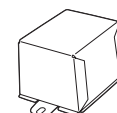
Collier



Protège-cordon d'alimentation (modèles dotés d'un cordon d'alimentation seulement)



Fils pour la conversion (modèles dotés d'un cordon d'alimentation seulement)



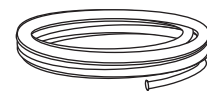
Couvercle de la boîte de jonction



Câble électrique ou cordon d'alimentation WR09X70910



3 connecteurs vissables



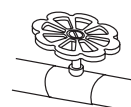
Conduite d'eau chaude-tuyau en cuivre d'au moins 9,5 mm (3/8 po)



Bague anti-traction



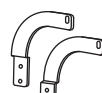
Ruban pour joints filetés



Robinet d'arrêt



Coude de 90°, bague et écrou à compression



Ensemble de supports de montage latéraux GPF65



Coupure anti-refoulement



Boyau de vidange facultatif GPF10S de 3 m (10 pi)



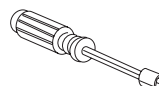
Colliers à vis sans fin



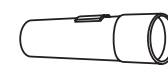
Raccord en T



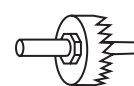
Lunettes de sécurité



Tourne-écrous de 6,3 mm (1/4 po) et de 7,9 mm (5/16 po)



Lampe de poche

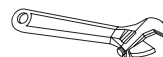


Jeu de scies-clochet

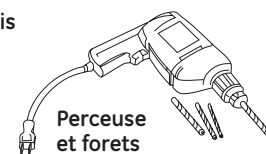


Gants

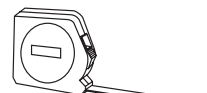
Clé à molette



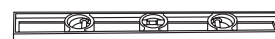
Tournevis Phillips



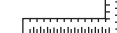
Perceuse et forets



Ruban à mesurer



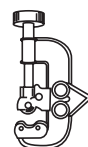
Niveau



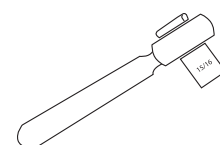
Équerre de charpentier



Seau



Coupe-tubes



Clé à douille de 23,8 mm (15/16 po)

Préparation pour l'installation – Ouverture dans les armoires

PRÉPARATION DE L'OUVERTURE DANS LES ARMOIRES

⚠ AVERTISSEMENT



Pour réduire les risques de choc électrique, d'incendie ou de blessures, l'installateur doit s'assurer que le lave-vaisselle est complètement encastré au moment de l'installation.

- L'ouverture dans les armoires doit mesurer au moins 61,0 cm (24 po) de largeur et de profondeur, et 87,6 cm ± 6,3 mm (34 1/2 po ± 1/4 po) de hauteur à partir du plancher jusqu'au-dessous du comptoir.
- Le mur du fond doit être exempt de tuyaux ou de fils.
- Les armoires adjacentes doivent être à l'équerre et d'aplomb pour une installation appropriée. Reportez-vous à la Figure A.
- Dans le cas d'une installation dans un coin, prévoyez un jeu d'au moins 5,1 cm (2 po) entre le lave-vaisselle et le mur adjacent.
- Prévoyez au moins 69 cm (27 po) à l'avant du lave-vaisselle pour ouvrir la porte complètement. Reportez-vous à la Figure B.

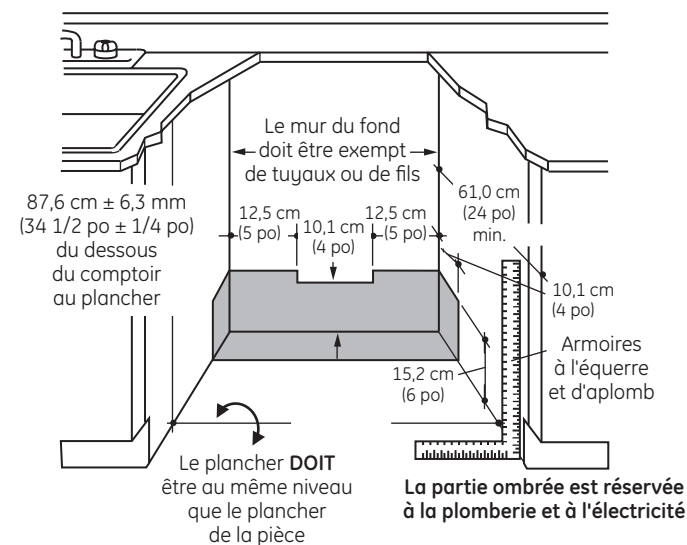


Figure A

- Assurez-vous que le plancher est de niveau à l'intérieur de l'ouverture et au même niveau que le plancher fini de la cuisine afin de faciliter le retrait du lave-vaisselle si jamais il faut le réparer dans le futur.

- Le lave-vaisselle doit être installé au maximum à 3 mètres (10 pieds) de l'évier pour assurer une vidange adéquate.
- Le dessus, les côtés et l'arrière du lave-vaisselle doivent être complètement dissimulés à l'intérieur de l'ouverture.
- Le lave-vaisselle ne doit soutenir aucune partie de la structure des armoires.

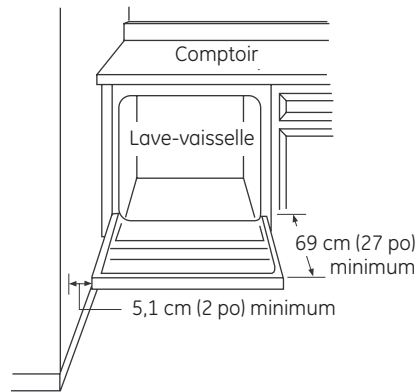


Figure B

Dégagements :

Dans le cas d'une installation dans un coin, veuillez prévoir un dégagement d'au moins 5,1 cm (2 po) entre le lave-vaisselle et les armoires, le mur ou un électroménager adjacent.

Veuillez prévoir un dégagement d'au moins 69 cm (27 po) à l'avant du lave-vaisselle.

Préparation pour l'installation – Vidange

PRÉPARATION DE LA PLOMBERIE POUR LA VIDANGE

Exigences relatives au système de vidange

- Veuillez observer les ordonnances et les codes locaux en vigueur.
- Le boyau de vidange doit avoir une longueur maximale de 3 mètres (10 pieds).
- Il faut prévoir une boucle de vidange élevée ou l'installation d'une coupure anti-refoulement. Voir ci-dessous.

Méthode de vidange

Le type d'installation de vidange dépend des conditions suivantes :

- Les ordonnances ou codes locaux en vigueur exigent-ils une coupure anti-refoulement?
- Le raccord en T se trouve-t-il à moins de 46 cm (18 po) du plancher?

Si vous répondez **OUI** à l'une ou l'autre de ces questions, vous devez installer une coupure anti-refoulement (**méthode n° 1**). Si vous répondez **NON** aux deux questions, vous pouvez installer une coupure anti-refoulement ou aménager une boucle de vidange élevée (**méthode n° 2**).

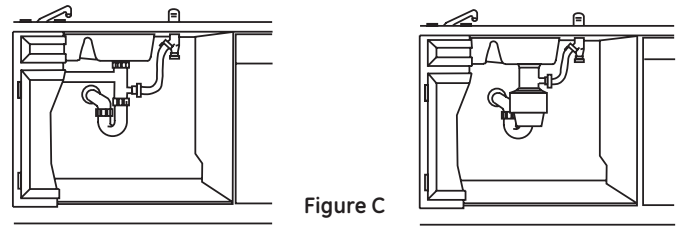
Considérations spéciales dans le cas d'un lave-vaisselle installé sur une plateforme

Si le lave-vaisselle est installé sur une plateforme, il faut aménager une boucle de vidange à une hauteur d'au moins 82 cm (32 po) au-dessus de la plateforme, en plus d'installer la coupure anti-refoulement indiquée ci-dessus, afin d'assurer une vidange adéquate.

⚠ ATTENTION

Il FAUT installer une coupure anti-refoulement si le boyau de vidange est relié à un raccord en T ou à un broyeur à déchets situé à moins de 46 cm (18 po) du plancher. Si le boyau de vidange avec la coupure anti-refoulement ne se trouve pas à une hauteur minimale de 82 cm (32 po) au-dessus du plancher, la boucle de vidange élevée ne pourra pas assurer une vidange appropriée du lave-vaisselle, ce qui pourrait causer des dommages à l'appareil.

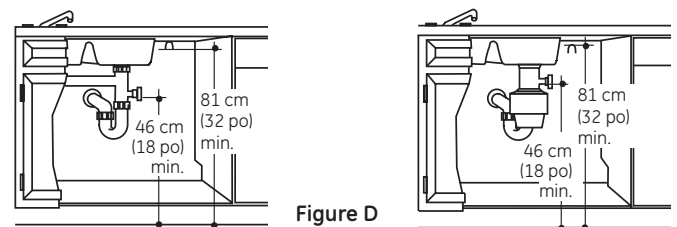
MÉTHODE N° 1 – Coupure anti-refoulement avec raccord en T ou broyeur à déchets



Installation avec raccord en T Installation avec broyeur à déchets

MÉTHODE N° 2 – Boucle de vidange élevée avec raccord en T ou broyeur à déchets

Prévoyez une façon de fixer le boyau de vidange au-dessous du comptoir. La fixation du boyau de vidange sera effectuée à une étape ultérieure.



Installation avec raccord en T Installation avec broyeur à déchets

Installez le raccord en T ou le broyeur à déchets et la coupure anti-refoulement en conformité avec les directives du fabricant.

Préparation des armoires

Percez un trou de 3,8 cm (1 1/2 po) de diamètre dans la paroi de l'armoire qui se trouve dans la partie ombrée de la Figure A pour le boyau de vidange. Assurez-vous que l'orifice ne présente pas d'arêtes vives. Le boyau de vidange sera inséré dans ce trou et raccordé au renvoi au cours d'une étape ultérieure.


IMPORTANT – Lorsque vous branchez le boyau de vidange à un broyeur à déchets, assurez-vous d'enlever le bouchon de vidange. Le lave-vaisselle ne pourra pas se vider si vous laissez le bouchon en place.



Préparation pour l'installation – Alimentation électrique

PRÉPARATION DU CÂBLAGE ÉLECTRIQUE

AVERTISSEMENT



POUR VOTRE SÉCURITÉ PERSONNELLE : Enlevez le fusible ou déclenchez le disjoncteur au panneau de distribution principal avant de commencer l'installation. N'utilisez pas une rallonge électrique ou un adaptateur de fiche avec cet appareil.

Alimentation électrique

- Cet appareil doit être alimenté par un courant de 120 V et 60 Hz, et branché à un circuit individuel correctement mis à la terre et protégé par un disjoncteur de 15 ou 20 ampères ou un fusible temporisé.
- Le câble électrique doit posséder deux fils, plus un fil de mise à la terre.
- Si votre alimentation électrique ne répond pas à ces exigences, appelez un électricien agréé avant de poursuivre l'installation.


Mise à la terre – Branchement permanent

Cet appareil doit être branché à un réseau électrique permanent mis à la terre. Sinon, il faut installer un conducteur de mise à la terre avec les conducteurs du circuit et le brancher à la borne de mise à la terre du réseau ou au fil de mise à la terre de l'appareil.

Mise à la terre – Modèles dotés d'un cordon d'alimentation

Cet appareil doit être mis à la terre. En cas de mauvais fonctionnement ou de défaillance, la mise à la terre réduira les risques de choc électrique en fournissant au courant électrique un circuit de moindre résistance. Cet appareil est doté d'un cordon d'alimentation possédant un conducteur de mise à la terre et une fiche de mise à la terre. La fiche doit être branchée dans une mise appropriée, installée et mise à la terre en conformité avec tous les codes locaux et ordonnances en vigueur.

AVERTISSEMENT



Un branchement inadéquat du conducteur de mise à la terre peut présenter des risques de choc électrique. Si vous n'êtes pas certain que l'appareil est correctement mis à la terre, consultez un réparateur ou un électricien qualifié. Ne modifiez pas la fiche fournie avec l'appareil; si vous ne pouvez pas la brancher dans la prise de courant, faites installer une prise de courant appropriée par un technicien qualifié.

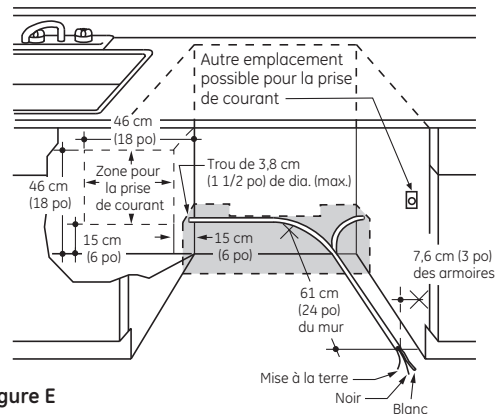
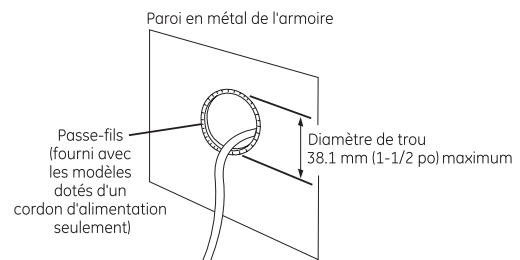


Figure E

Préparation des armoires et cheminement des fils

- Les fils peuvent entrer dans l'ouverture du côté droit, du côté gauche, de l'arrière ou du plancher dans la partie ombrée de la Figure E et de la Figure A.
- Percez un trou de 3,8 cm (1 1/2 po) de diamètre au maximum pour le passage du câble électrique. Les fils électriques pour le branchement permanent peuvent passer par le même trou que le boyau de vidange et la conduite d'eau chaude, si c'est plus pratique. Les bords de l'orifice doivent être lisses et arrondis. Si le trou est pratiqué dans une paroi en métal, les bords de l'orifice doivent être recouverts d'un passe-fils pour protéger les fils.

REMARQUE : Le cordon d'alimentation doté d'une fiche doit passer par un autre trou.



Branchement électrique du lave-vaisselle

Le branchement électrique s'effectue du côté avant droit du lave-vaisselle.

- Dans le cas d'un branchement permanent, le câble doit être acheminé de la façon indiquée à la Figure D. Le câble doit avoir une longueur minimale de 61 cm (24 po) à partir du mur arrière.
- Dans le cas d'un branchement avec un cordon d'alimentation, installez une prise de courant mise à la terre à trois broches sur la paroi de l'armoire adjacente, entre 15 cm (6 po) et 46 cm (18 po) de l'ouverture, et entre 15 cm (6 po) et 46 cm (18 po) du plancher, comme indiqué à la Figure E.

Préparation pour l'installation – Alimentation en eau chaude

PRÉPARATION DE L'ALIMENTATION EN EAU CHAUDE

Conduite d'eau chaude

- La conduite peut entrer du côté gauche, du côté droit, de l'arrière ou du plancher dans la partie ombrée indiquée dans la Figure F.
- La conduite peut passer par le même trou que le câble électrique et le boyau de vidange, ou vous pouvez percer un trou supplémentaire de 3,8 cm (1 1/2 po) de diamètre pour le passage de la conduite d'eau. Si l'appareil est doté d'un cordon d'alimentation pourvu d'une fiche, la conduite d'eau chaude ne doit pas passer par le même trou que le cordon d'alimentation.

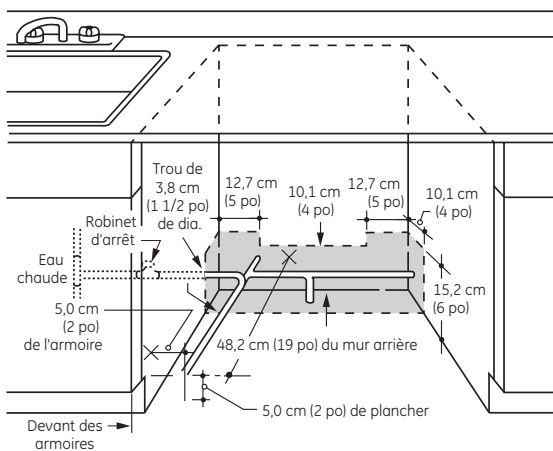


Figure F

Raccordement de la conduite d'eau chaude

- Coupez l'alimentation en eau.
- Installez un robinet d'arrêt à un endroit accessible, par exemple sous l'évier. (Cette installation est facultative, mais fortement recommandée, et peut même être exigée par les codes locaux en vigueur.)
- Le raccordement de la conduite d'eau s'effectue du côté gauche du lave-vaisselle. Installez la conduite d'eau chaude en utilisant un tuyau en cuivre de 9,5 mm (3/8 po) ou plus. Acheminez la conduite d'eau de la façon indiquée dans la Figure F et amenez-la vers l'avant à au moins 48,2 cm (19 po) du mur arrière.
- Réglez le chauffe-eau à une température variant entre 49 °C (120 °F) et 65 °C (150 °F).
- Rincez la conduite d'eau pour éliminer tous les débris. Recueillez l'eau et les débris à l'aide d'un seau.
- La pression de la conduite d'alimentation en eau chaude doit varier entre 1,4 bar (20 lb/po²) et 8,3 bars (120 lb/po²).

⚠ ATTENTION

La pression de la conduite d'alimentation en eau chaude doit être d'au moins 1,4 bar (20 lb/po²). Une pression plus basse pourrait provoquer une fuite de l'électrovanne, causant ainsi des dommages.

Installation du lave-vaisselle



ATTENTION

N'enlevez pas la base de bois avant d'être prêt à installer le lave-vaisselle. Si vous enlevez la base de bois, le lave-vaisselle pourrait basculer lorsque vous ouvrez la porte.

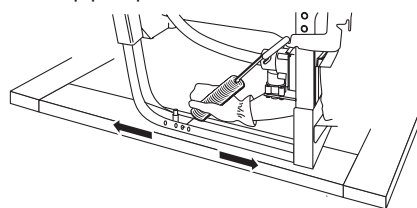
ÉTAPE 1 : PRÉPARATION

Prenez les pièces fournies dans l'emballage et mettez-les de côté en vue de les utiliser au cours des étapes indiquées ci-dessous.

- Ensemble de vis – étapes 5 ou 16 et 13
- Couvercle de la boîte de jonction – étape 5 ou 16
- Boyau de vidange et collier – étape 7
- Manuel d'utilisation – étapes 18 et 21
- Échantillons et(ou) bons – étape 21
- Fils pour la conversion (modèles dotés d'un cordon d'alimentation installé à l'usine seulement) – Annexe

ÉTAPE 2 : VÉRIFICATION DE L'ÉQUILIBRE DE LA PORTE

- Sans enlever la base de bois du lave-vaisselle, vérifiez l'équilibre de la porte en l'ouvrant et en la fermant.
- La porte est correctement équilibrée lorsqu'elle s'ouvre doucement et complètement lorsqu'elle est à moitié ouverte, et qu'elle ne se relève pas lorsqu'elle est totalement ouverte.
- Au besoin, augmentez ou diminuez la tension de la façon indiquée dans l'illustration. Verrouillez la porte et réglez les ressorts de manière à obtenir un équilibre approprié.



Augmenter la tension

Réduire la tension

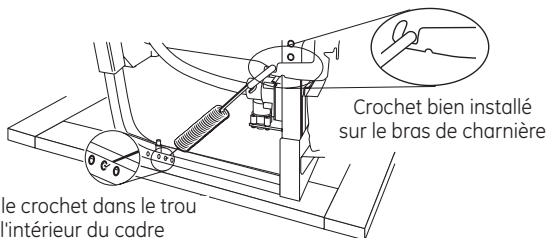


Figure G

Conseil : Pour éviter d'appeler un réparateur pour un problème d'équilibre de porte.

Assurez-vous que l'extrémité du ressort est bien insérée dans un trou du cadre et que le crochet du ressort est bien installé sur le bras de charnière.

ÉTAPE 3 : ENLÈVEMENT DE LA BASE DE BOIS

IMPORTANT – Ne frappez pas sur la base de bois pour l'enlever! Vous endommagerez ainsi l'appareil.

- Amenez le lave-vaisselle à proximité de son emplacement définitif et couchez-le sur le dos.
- Enlevez les quatre pieds de nivellement sous la base de bois à l'aide d'une clé à douille de 23,8 cm (15/16 po).
- Enlevez et jetez la base de bois.

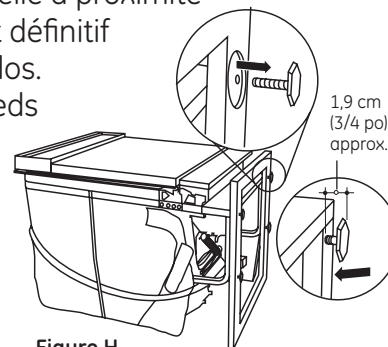


Figure H

- Remettez en place les pieds de nivellement sur le lave-vaisselle, à 1,9 cm (3/4 po) environ du cadre, comme indiqué dans l'illustration.

ÉTAPE 4 : ENLÈVEMENT DU PANNEAU D'ACCÈS ET DU PANNEAU INFÉRIEUR

Le panneau d'accès possède des trous de montage allongés à la partie supérieure.

- Enlevez les deux vis à tôle n° 10-16 x 9,5 mm (3/8 po) à la partie inférieure. N'enlevez pas les deux vis à métaux n° 8-32 x 6,3 cm (1/4 po) à la partie supérieure.
- Faites glisser le panneau d'accès le plus loin possible vers la gauche.
- Tirez doucement sur le panneau d'accès pour le dégager des vis supérieures.

Mettez de côté le panneau d'accès, le panneau inférieur et les vis pour les réutiliser à l'étape 20.

Conseil : Pour éviter d'endommager la cuve.

Enlevez uniquement les vis à tôle de 9,5 mm (3/8 po) à cette étape.

Vous éviterez ainsi de les mélanger avec les vis à métaux de 6,3 mm (1/4 po) à l'étape 20.

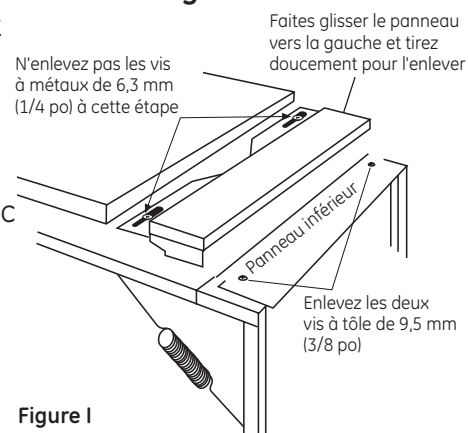


Figure I

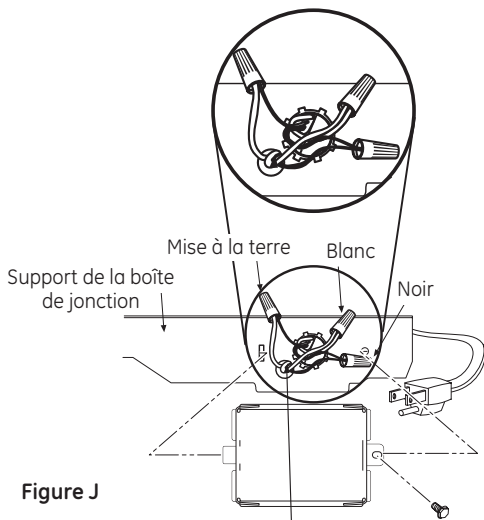
Installation du lave-vaisselle

ÉTAPE 5 : INSTALLATION DU CORDON D'ALIMENTATION

Sautez cette étape si le lave-vaisselle est branché de façon permanente au circuit électrique de la résidence ou s'il est doté d'un cordon d'alimentation installé à l'usine.

Au cours de cette étape, vous aurez besoin du couvercle de la boîte de jonction et de la vis à tête hexagonale n° 10 x 12,7 m (1/2 po) provenant de l'ensemble de vis que vous avez mis de côté à l'étape 1.

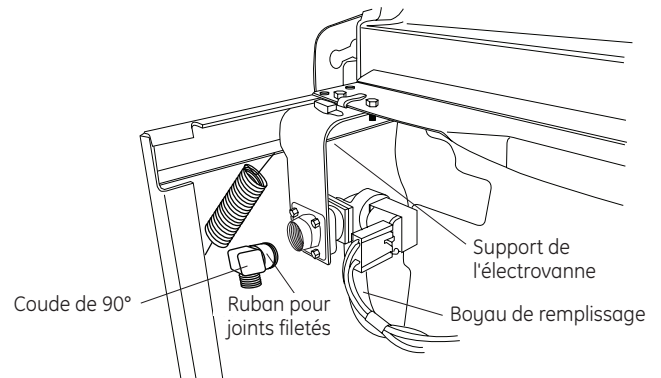
Le cordon d'alimentation et les raccordements doivent être conformes aux exigences de la section 422 du National Electrical Code des É.-U. et(ou) aux ordonnances et aux codes locaux en vigueur. Le cordon d'alimentation doit avoir une longueur maximale de 1,8 m (6 pi). Le cordon d'alimentation n° WX09X70910, que vous pouvez vous procurer auprès d'un détaillant autorisé d'électroménagers GE, répond à cette exigence.



- Installez la bague anti-traction sur le support de la boîte de jonction.
- Faites passer le cordon d'alimentation dans la bague anti-traction, puis serrez la bague.
- Assurez-vous que les fils noir, blanc et vert du lave-vaisselle ont été passés dans le petit trou du support de la boîte de jonction.
- Raccordez le fil blanc (ou nervuré) du cordon d'alimentation au fil blanc du lave-vaisselle, le fil noir (ou lisse) au fil noir du lave-vaisselle, et le fil de mise à la terre au fil vert du lave-vaisselle. Utilisez des connecteurs vissables homologués UL de la grosseur appropriée.
- Installez le couvercle de la boîte de jonction à l'aide de la vis à tête hexagonale n° 10. Assurez-vous que les fils ne sont pas coincés sous le couvercle.

ÉTAPE 6 : INSTALLATION DU COUDE DE 90°

- Appliquez du ruban pour joints filetés sur les filets du coude de 90°.
- Vissez le coude de 90° dans l'électrovanne.
- Ne serrez pas le coude de façon excessive; le support de l'électrovanne pourrait se déformer ou le raccord de l'électrovanne pourrait se casser.
- Tournez l'extrémité du coude pour qu'il pointe vers l'arrière du lave-vaisselle.



ÉTAPE 7 : RACCORDEMENT DU BOYAU DE VIDANGE À L'ORIFICE DE VIDANGE DU LAVE-VAISSELLE

Sautez cette étape si le boyau de vidange a été installé à l'usine.

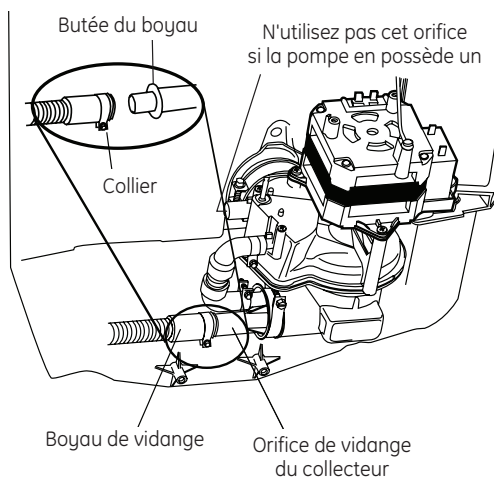
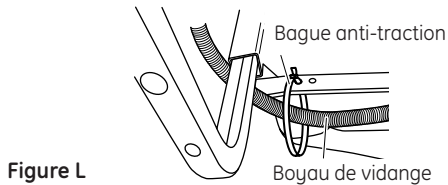
Au cours de cette étape, vous aurez besoin du boyau de vidange et du collier mis de côté à l'étape 1.

IMPORTANT – Faites attention de ne pas endommager le boyau de vidange afin d'éviter toute fuite possible. Faites attention de ne pas percer ou couper le boyau de vidange.

- Faites passer la petite extrémité du boyau de vidange du côté gauche du lave-vaisselle, dans la bague anti-traction fixée au cadre du lave-vaisselle, vers le centre de l'appareil, comme indiqué dans les Figures L et M.
- Installez le collier sur la petite extrémité du boyau de vidange.
- Insérez la petite extrémité du boyau de vidange sur l'orifice de vidange du collecteur, en vous assurant que le boyau est bien appuyé contre la butée du boyau.
- Serrez le collier à un couple d'au moins 15 po-lb.

Dishwasher Installation

Remarque : Le boyau de vidange fourni avec le lave-vaisselle mesure environ 2 mètres (78 po) de longueur. Si vous avez besoin d'un boyau plus long, vous pouvez vous procurer un boyau de 3 mètres (10 pieds) auprès d'un détaillant autorisé d'électroménagers GE. Le numéro de pièce du boyau de 3 mètres de long est le **GPF10S**.

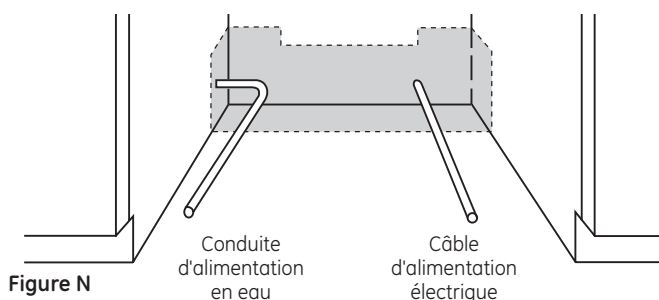


Conseil : Pour éviter des frais de réparation inutiles pour des problèmes de vidange.

Assurez-vous que les raccordements du boyau de vidange ne présentent pas de fuites et que le boyau passe dans la bague anti-traction afin qu'il ne soit pas plié lorsque vous installerez le lave-vaisselle dans l'ouverture.

ÉTAPE 8 : POSITIONNEMENT DE LA CONDUITE D'EAU ET DE L'ALIMENTATION ÉLECTRIQUE

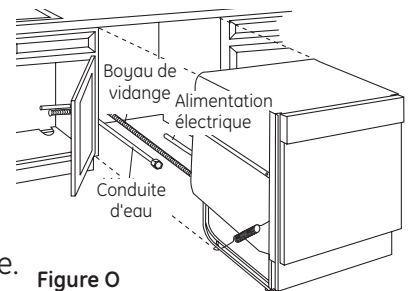
- Positionnez la conduite d'alimentation en eau et le câblage de la résidence sur le plancher de l'ouverture afin qu'ils n'entrent pas en contact avec la base du lave-vaisselle et les pièces sous l'appareil.



ÉTAPE 9 : INSERTION DU BOYAU DE VIDANGE ET DU CORDON D'ALIMENTATION, S'IL Y A LIEU, DANS L'ORIFICE DE L'ARMOIRE

- Remettez le lave-vaisselle sur ses pieds et placez-le vis-à-vis de l'ouverture dans les armoires.
- Insérez le boyau de vidange dans l'orifice que vous avez précédemment percé dans la paroi des armoires.
- Si l'appareil est doté d'un cordon d'alimentation, faites passer l'extrémité du cordon dans un trou distinct.

Le cordon d'alimentation doit être acheminé directement vers l'arrière de la boîte de jonction afin d'éviter tout contact avec le ressort de la porte et d'autres pièces du lave-vaisselle.



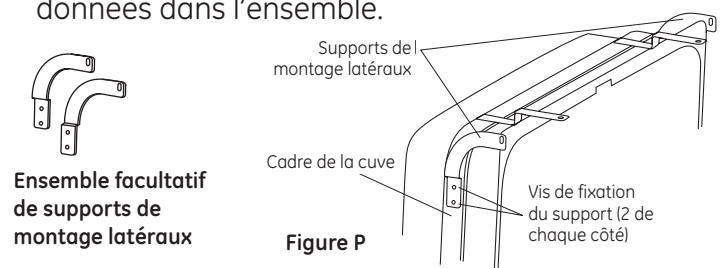
Conseil : Pour éviter des frais de réparation inutiles pour des problèmes de remplissage, de vidange ou de bruit.

Placez la conduite d'eau et le câble électrique de manière à ce qu'ils n'entrent pas en contact avec quoi que ce soit à l'arrière ou en dessous du lave-vaisselle.

ÉTAPE 10 : INSTALLATION DES SUPPORTS DE MONTAGE LATÉRAUX FACULTATIFS GPF65

Sautez cette étape si le dessous du comptoir est en bois ou fabriqué à l'aide d'un matériau similaire.

- Procurez-vous et installez l'ensemble de supports de montage latéraux **GPF65** si le dessous du comptoir est en granite ou en un matériau similaire qui n'accepte pas les vis à bois. Vous pouvez vous procurer l'ensemble **GPF65** auprès d'un détaillant autorisé d'électroménagers GE.
- Reportez-vous à la Figure P et suivez les directives données dans l'ensemble.



Installation du lave-vaisselle

ÉTAPE 11 : INSTALLATION DU LAVE-VAISSELLE DANS L'OUVERTURE

IMPORTANT – Ne poussez pas sur le panneau avant avec vos genoux. Vous pourriez endommager l'appareil.

- Saisissez le panneau avant de l'appareil par les côtés et faites glisser le lave-vaisselle dans l'ouverture de quelques centimètres ou pouces à la fois. Tirez sur le boyau de vidange et le cordon d'alimentation, s'il y a lieu, par les trous des armoires adjacentes au fur et à mesure que vous faites glisser le lave-vaisselle dans son emplacement définitif.

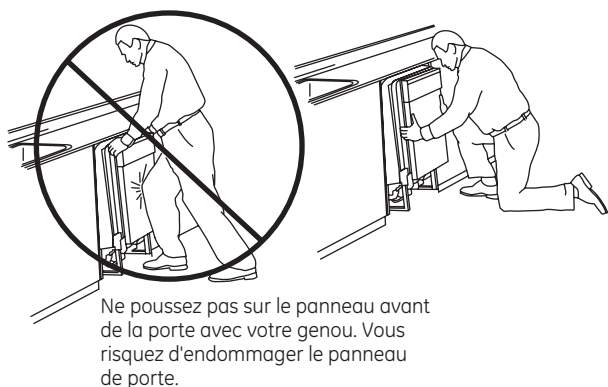


Figure Q

- Vérifiez l'isolant de la cuve, s'il y a lieu, pour vous assurer qu'il enveloppe complètement la cuve. L'isolant ne doit pas «retrousser» ou entrer en contact avec les ressorts de la porte. Si l'isolant est «déplacé» ou entre en contact avec les ressorts, remplacez-le correctement avant de faire glisser l'appareil dans son emplacement définitif.
- Assurez-vous que le boyau de vidange n'est pas plié à l'arrière ou en dessous du lave-vaisselle.
- Assurez-vous que le câble électrique de la résidence, le boyau de vidange et la conduite d'eau n'entrent pas en contact avec des pièces sous le lave-vaisselle.
- Les rebords de la cuve du lave-vaisselle doivent être en retrait d'environ 19 mm (3/4 po) par rapport au devant des armoires adjacentes. Reportez-vous à la Figure R.

Conseils : Pour éviter des frais de réparation inutiles pour des dommages au panneau avant.

Ne poussez pas sur le centre du panneau avant avec vos mains ou vos genoux lorsque vous faites glisser le lave-vaisselle dans son emplacement définitif.

ÉTAPE 12 : MISE DE NIVEAU DU LAVE-VAISSELLE

IMPORTANT – Le lave-vaisselle doit être de niveau pour assurer le bon fonctionnement des paniers et de la porte du lave-vaisselle et obtenir une bonne efficacité de lavage. Le lave-vaisselle doit être mis de niveau de gauche à droite, et de l'avant vers l'arrière. De cette façon, les paniers de l'appareil ne rentreront pas ou ne sortiront pas tout seuls, l'eau circulera correctement vers l'orifice d'entrée de la pompe et la porte se fermera sans frotter sur les côtés de la cuve.

- Enlevez le panier inférieur et placez un niveau sur la porte et sur le rail du panier inférieur, comme indiqué à la Figure R.

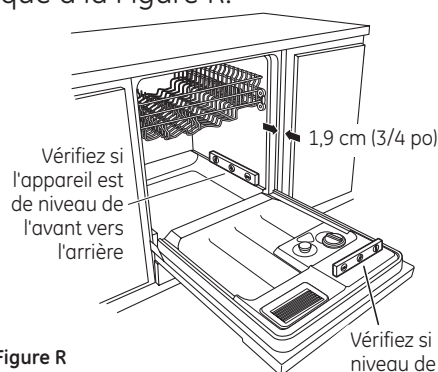


Figure R

- Mettez le lave-vaisselle de niveau en vissant ou dévissant chacun des quatre pieds de nivellement sous l'appareil, comme indiqué à la Figure S.



Figure S

- Le lave-vaisselle est correctement de niveau lorsque l'indicateur de niveau est centré de gauche à droite et de l'avant vers l'arrière. La porte du lave-vaisselle devrait se fermer sans frotter contre les côtés de la cuve.
- Remettez en place le panier inférieur.

Conseil : Pour éviter des frais de réparation inutiles pour des problèmes de fonctionnement des paniers et d'efficacité de lavage.

Sortez les paniers à moitié. Ils doivent demeurer immobiles. Ouvrez et fermez la porte. La porte doit être bien ajustée à l'ouverture de la cuve sans frotter sur les côtés. Si les paniers rentrent ou sortent tout seuls ou si la porte frotte contre les côtés de la cuve, remettez le lave-vaisselle de niveau.

Installation du lave-vaisselle

ÉTAPE 13 : FIXATION DU LAVE-VAISSELLE AU-DESSOUS DU COMPTOIR OU AUX CÔTÉS DES ARMOIRES

Au cours de cette étape, vous aurez besoin des deux vis à bois Phillips de 15,8 mm (5/8 po) mises de côté à l'étape 1.

IMPORTANT – Le lave-vaisselle doit être bien centré dans l'ouverture. Si la porte frotte contre les armoires ou le comptoir, cela pourrait provoquer des fuites et endommager le panneau de la porte et(ou) le tableau de commande.

- Si le comptoir est fabriqué en bois ou à l'aide d'un matériau similaire, fixez le lave-vaisselle au comptoir à l'aide des vis insérées dans les supports du comptoir et vissez-les dans le comptoir.
- Si le comptoir est en granite ou en un matériau similaire, vissez les vis Phillips dans les supports de montage latéraux et dans les armoires adjacentes.
- Assurez-vous de visser complètement les vis bien droites afin d'éviter toute interférence avec l'ouverture de la porte et tout dommage au tableau de commande. Reportez-vous à la Figure T.

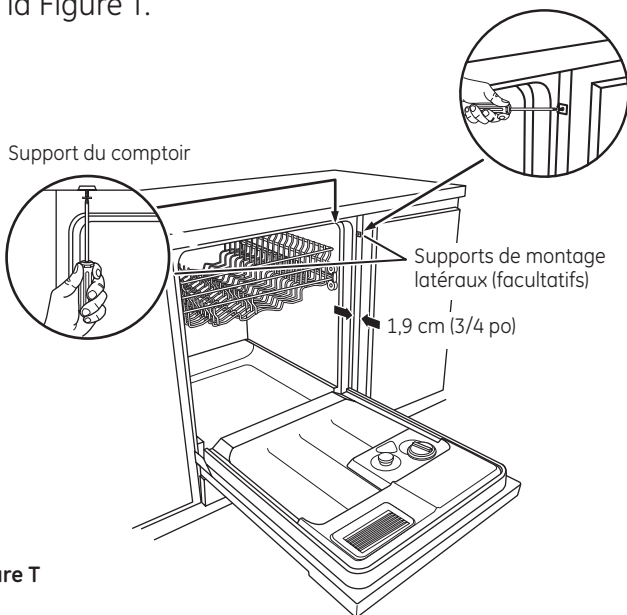


Figure T

Conseil : Pour éviter des frais de réparation inutiles pour des dommages au tableau de commande ou des fuites.

Assurez-vous que le lave-vaisselle est bien centré dans l'ouverture et que la porte s'ouvre et se ferme facilement sans frotter contre les armoires adjacentes. Vissez complètement les vis bien droites.

ÉTAPE 14 : RACCORDEMENT DE L'ALIMENTATION EN EAU

Raccordez la conduite d'alimentation en eau au coude de 90° installé à l'étape 6.

- Faites glisser l'écrou à compression et ensuite la bague sur l'extrémité de la conduite d'alimentation en eau.
- Insérez la conduite d'alimentation en eau dans le coude de 90°.
- Faites glisser la bague contre le coude et serrez-la à l'aide de l'écrou à compression.

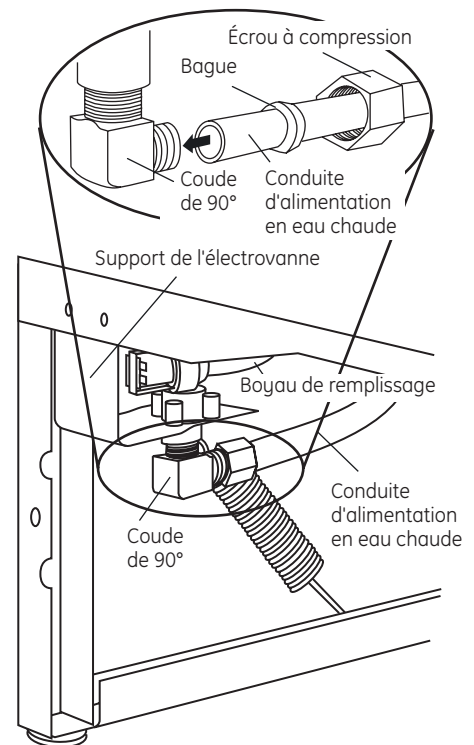


Figure U

IMPORTANT – Assurez-vous que les ressorts de la porte n'entrent pas en contact avec le boyau de remplissage ou la conduite d'alimentation en eau. Pour vérifier, ouvrez et refermez la porte. Déplacez la conduite d'alimentation en eau ou pliez légèrement le support de l'électrovanne si vous entendez un bruit de frottement ou s'il y a de l'interférence lors de l'ouverture de la porte.

Conseil : Pour éviter des frais de réparation inutiles pour les problèmes de fuites ou de bruit.

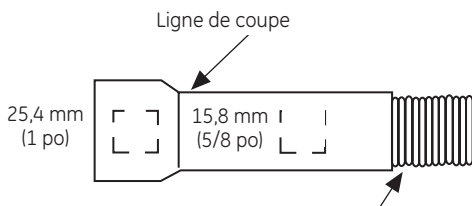
Assurez-vous que les ressorts de la porte ne frottent pas contre la conduite d'alimentation en eau ou le boyau de remplissage.

Dishwasher Installation

ÉTAPE 15 : RACCORDEMENT DU BOYAU DE VIDANGE

L'extrémité moulée du boyau de vidange est conçue pour s'installer sur l'orifice d'entrée d'un diamètre variant entre 15,8 mm (5/8 po) et 25,4 mm (1 po) de la coupure anti-refoulement, du raccord en T ou du broyeur à déchets.

- Mesurez le diamètre de l'orifice d'entrée.
- Coupez le raccord du boyau de vidange à l'endroit indiqué, au besoin, pour qu'il soit bien adapté à l'orifice d'entrée.



IMPORTANT : Ne coupez pas la partie ondulée du boyau

Figure V

- Si vous avez besoin d'un boyau de vidange plus long mais n'avez pas acheté le boyau de vidange GPF10S, ajoutez au boyau de vidange installé à l'usine une longueur maximale de 106 cm (42 po) pour une longueur totale de 3 mètres (120 po). Pour ce faire, utilisez un boyau dont le diamètre intérieur est de 15,8 mm (5/8 po) ou de 21,7 mm (7/8 po) et un raccord pour relier l'extrémité des deux boyaux. Fixez le raccord à l'aide de colliers.

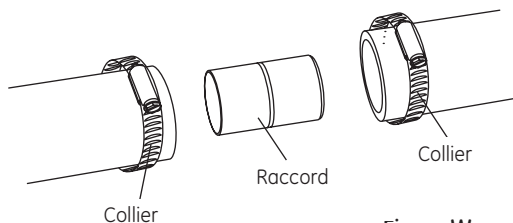
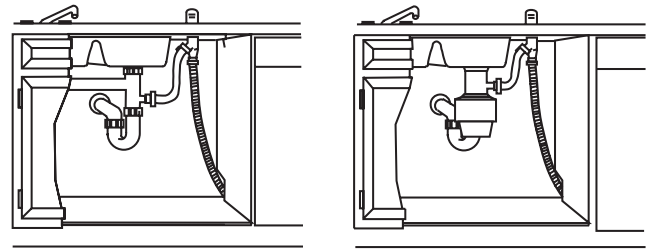


Figure W

IMPORTANT – Pour une vidange adéquate de l'appareil, la longueur totale du boyau de vidange ne doit pas dépasser 3 mètres (10 pieds).

- Branchez le boyau de vidange à la coupure anti-refoulement, au raccord en T ou au broyeur à déchets à l'aide de la méthode choisie précédemment. Fixez solidement le boyau à l'aide d'un collier à vis sans fin.

Méthode n° 1 – Coupure anti-refoulement avec raccord en T ou broyeur à déchets



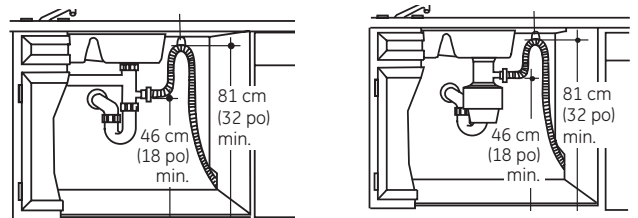
Installation avec raccord en T

Installation avec broyeur à déchets

Figure X

Méthode n° 2 – Boucle de vidange élevée avec raccord en T ou broyeur à déchets

Fixez le boyau de vidange au-dessous du comptoir à l'aide d'un crochet.

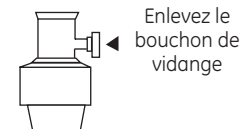


Installation avec raccord en T

Installation avec broyeur à déchets

Figure Y

IMPORTANT – Lorsque vous raccordez le boyau de vidange à un broyeur à déchets, assurez-vous d'enlever le bouchon de vidange. Le lave-vaisselle ne se videra pas si le bouchon est laissé en place.



Conseil : Pour éviter les frais de réparation inutiles pour un problème de vidange.

Tirez sur le boyau de vidange par l'ouverture pratiquée dans les armoires afin d'empêcher le lave-vaisselle d'écraser ou de plier une longueur excessive de boyau dans l'ouverture de l'appareil. Si le boyau de vidange est raccordé à un broyeur à déchets, assurez-vous que le bouchon de vidange du broyeur a été enlevé.


Installation du lave-vaisselle

ÉTAPE 16 : BRANCHEMENT DE L'ALIMENTATION ÉLECTRIQUE

Si un cordon d'alimentation pourvu d'une fiche est déjà installé sur l'appareil, passez à l'étape 17.

Si le lave-vaisselle est doté d'un cordon d'alimentation installé à l'usine et que vous désirez le transformer en vue d'un branchement permanent, reportez-vous aux directives données à la page 16.

⚠ AVERTISSEMENT

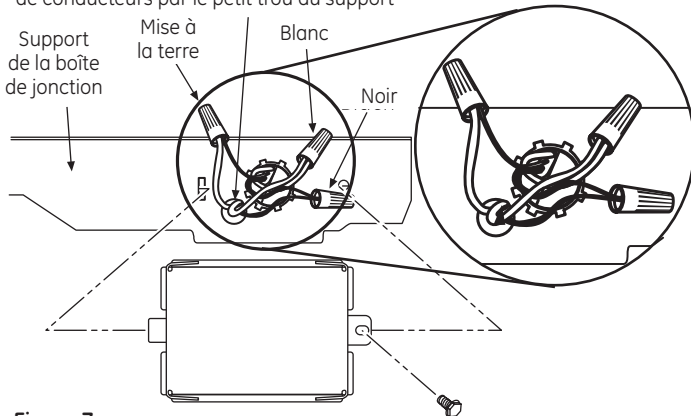


Si le câblage électrique de la résidence n'est pas constitué de deux fils plus un fil de mise à la terre, l'installateur doit installer un fil de mise à la terre.

Si le câblage électrique de la résidence est en aluminium, utilisez un agent antioxydant et des connecteurs pour raccords «aluminium-cuivre» homologués UL.

- Fixez le câblage de la résidence à l'arrière de la boîte de jonction à l'aide d'une bague anti-traction.
- Repérez les trois fils du lave-vaisselle (blanc, noir et vert) dont l'extrémité est dénudée. Faites-les passer par le petit trou dans le support de la boîte de jonction. Utilisez des connecteurs vissables homologués UL de la grosseur appropriée pour brancher le fil de mise à la terre au fil vert, le fil blanc au fil blanc, et le fil noir au fil noir.

Remarque : Assurez-vous de faire passer les fils du faisceau de conducteurs par le petit trou du support



ÉTAPE 17 : INSTALLATION DU COUVERCLE DE LA BOÎTE DE JONCTION

Si le couvercle de la boîte de jonction est déjà installé, passez à l'étape 18.

Au cours de cette étape, vous aurez besoin du couvercle de la boîte de jonction et de la vis à tête hexagonale n° 10 de l'ensemble de vis mis de côté à l'étape 1.

- Installez le couvercle de la boîte de jonction à l'aide de la vis à tête hexagonale n° 10. Assurez-vous que les fils ne sont pas coincés sous le couvercle.

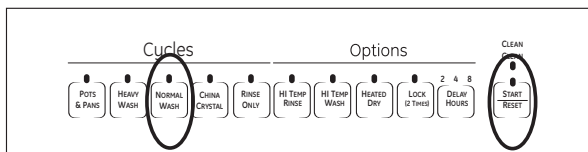
ÉTAPE 18 : LISTE DE CONTRÔLE PRÉLIMINAIRE

- Assurez-vous que le courant électrique est coupé à la source.
- Ouvrez la porte du lave-vaisselle et enlevez tout le matériel d'emballage en carton et en mousse.
- Veuillez lire le Manuel d'utilisation pour vous familiariser avec le fonctionnement du lave-vaisselle.
- Assurez-vous que le câblage électrique est bien placé sous le lave-vaisselle, qu'il n'est pas coincé ou qu'il n'entre pas en contact avec les ressorts de la porte ou d'autres pièces de l'appareil.
- Assurez-vous que les ressorts de la porte n'entrent pas en contact avec la conduite d'alimentation en eau, le boyau de remplissage ou les armoires adjacentes. Reportez-vous aux étapes 13 et 14.
- Sortez le panier inférieur à moitié. Assurez-vous qu'il ne sort pas complètement ou ne rentre pas dans le lave-vaisselle. Si tel est le cas, remettez le lave-vaisselle de niveau. Reportez-vous à l'étape 12.
- Assurez-vous que le tableau de commande n'entre pas en contact avec les armoires adjacentes. Si tel est le cas, repositionnez le lave-vaisselle. Reportez-vous à l'étape 13.
- Ouvrez le robinet d'eau chaude de l'évier et vérifiez si la température de l'eau varie entre 49 °C (120 °F) et 65 °C (150 °F). Réglez le chauffe-eau au besoin.
- Versez deux litres d'eau dans le fond du lave-vaisselle pour lubrifier le joint de la pompe.
- Ouvrez l'alimentation en eau chaude.
- Vérifiez s'il y a des fuites. Serrez les raccords au besoin. Reportez-vous à l'étape 14.
- Enlevez la pellicule protectrice, s'il y a lieu, sur le tableau de commande, le panneau d'accès et le panneau de la porte.

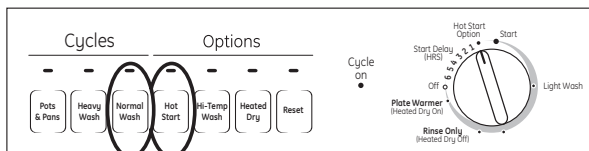
Installation du lave-vaisselle

ÉTAPE 19 : LISTE DE CONTRÔLE DE L'ESSAI DU LAVE-VAISSELLE AVEC DE L'EAU

- Rétablissez l'alimentation électrique ou si l'appareil est doté d'un cordon d'alimentation, branchez-le dans la prise de courant murale.
- Verrouillez la porte du lave-vaisselle.
- Dans le cas des modèles électroniques, sélectionnez le programme **NORMAL WASH** (Saleté normale) et appuyez une fois sur la touche **START** (Mise en marche).

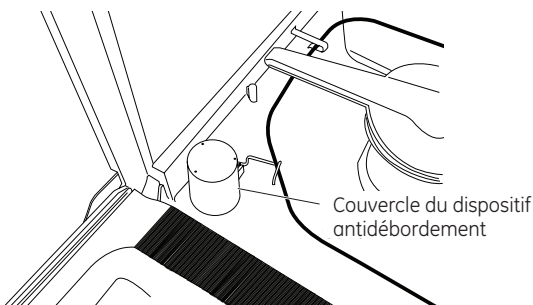


- Dans le cas des modèles dotés d'un sélecteur rotatif, appuyez sur les touches **NORMAL WASH** (Saleté normale) et **HOT START** (Lavage initial à l'eau chaude), si votre modèle possède ces touches, puis tournez le sélecteur juste assez pour mettre le lave-vaisselle en marche. Faites attention de ne pas tourner le sélecteur au-delà du premier remplissage. L'indicateur du cadran doit être vis-à-vis de «Hot Start Option» (Option Lavage initial à l'eau chaude) ou «Hot Pre-wash Option» (Option Lavage préliminaire à l'eau chaude), selon le modèle.

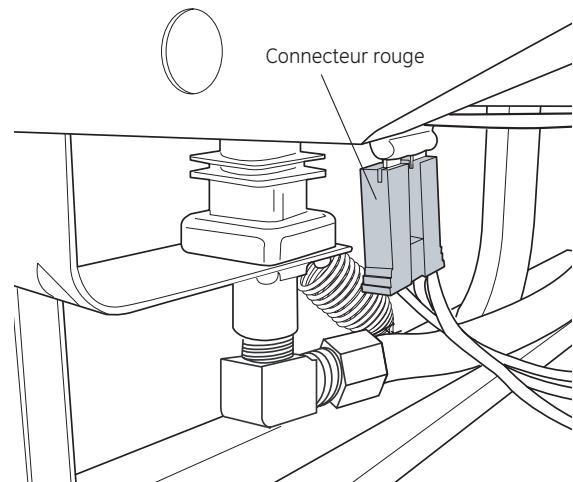


L'apparence varie selon le modèle. Tous les modèles ne sont pas dotés de boutons-poussoirs.

- Assurez-vous que le lave-vaisselle se remplit. Le remplissage peut prendre jusqu'à 4 minutes. Si le lave-vaisselle ne se remplit pas d'eau :
 - Vérifiez si le robinet de la conduite est ouvert.
 - Frappez doucement sur le couvercle du dispositif antidébordement pour le débloquer.



- Vérifiez le raccordement électrique de l'électrovanne. Le connecteur électrique rouge doit être branché sur l'électrovanne du lave-vaisselle. S'il n'est pas branché, coupez l'alimentation électrique au lave-vaisselle. Branchez le connecteur rouge sur l'électrovanne du lave-vaisselle, puis rétablissez l'alimentation électrique.



- Vérifiez s'il y a des fuites sous le lave-vaisselle. Si tel est le cas, coupez l'alimentation électrique, serrez les raccords, puis rétablissez le courant.
- Vérifiez s'il y a des fuites autour de la porte. Ces fuites peuvent être causées par le frottement de la porte du lave-vaisselle contre les armoires adjacentes. Repositionnez le lave-vaisselle au besoin. Reportez-vous aux étapes 11, 12 et 13.
- La plupart des modèles de lave-vaisselle se vidangent environ trois minutes après le premier remplissage. Vérifiez si le boyau de vidange présente des fuites pendant que le lave-vaisselle se vide. Si tel est le cas, coupez l'alimentation électrique, corrigez le problème, puis rétablissez le courant.
- Ouvrez la porte du lave-vaisselle et assurez-vous que la majeure partie de l'eau a été vidangée. Si l'appareil ne s'est pas vidé, assurez-vous que le bouchon de vidange du broyeur à déchets a été enlevé et/ou que la coupure anti-refoulement est exempte de débris.
- Laissez le lave-vaisselle effectuer un autre cycle de remplissage et de vidange. Vérifiez encore une fois s'il y a des fuites.
- À la fin de la deuxième vidange, appuyez sur la touche **RESET** (Réinitialisation) dans le cas des modèles électroniques. Sur les modèles dotés d'un sélecteur rotatif, déverrouillez la porte et tournez le sélecteur à la position **OFF** (Arrêt).

Installation du lave-vaisselle

ÉTAPE 20 : RÉINSTALLATION DU PANNEAU D'ACCÈS ET DU PANNEAU INFÉRIEUR

Au cours de cette étape, vous aurez besoin des panneaux et des deux vis mis de côté à l'étape 4.

Deux types de vis sont utilisés. Les vis n° 8-32 x 6,3 mm (1/4 po) sont utilisées à la partie supérieure du panneau d'accès et doivent y être laissées. Les vis n° 10-16 x 9,5 mm (3/8 po) sont utilisées à la partie inférieure du panneau d'accès pour fixer en place le panneau d'accès et le panneau inférieur.

IMPORTANT – Ces vis ne sont pas interchangeables. Pour ne pas endommager votre lave-vaisselle, utilisez les vis appropriées aux bons endroits. Ne mélangez pas les types ou les longueurs de vis.

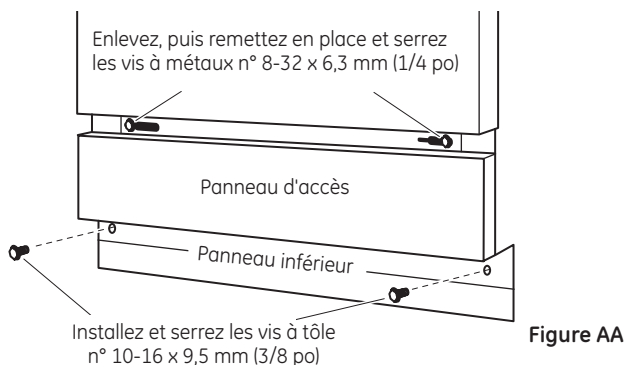
- Appuyez le panneau inférieur contre les pieds de nivellement du lave-vaisselle.
- Enlevez les deux vis à métaux n° 8-32 x 6,3 mm (1/4 po).
- Alignez le panneau d'accès sur le lave-vaisselle.
- Prenez les deux vis à métaux n° 8-32 x 6,3 mm (1/4 po) que vous venez d'enlever et vissez-les dans les trous à la partie supérieure du panneau d'accès et dans le cadre du lave-vaisselle.
- Serrez bien ces vis.
- Installez le panneau inférieur et assurez-vous que sa partie inférieure repose sur le plancher.
- Insérez et vissez les deux vis à tôle n° 10-16 x 9,5 mm (3/8 po), en vous assurant que la partie inférieure du panneau inférieur demeure en contact avec le plancher.

Conseil : Pour éviter d'endommager la cuve et atténuer le bruit provenant du dessous du lave-vaisselle.

Installez les vis à métaux dans les trous supérieurs, et les vis à tôle dans les trous inférieurs. Assurez-vous que le panneau inférieur repose sur le plancher.

ÉTAPE 21 : DOCUMENTATION

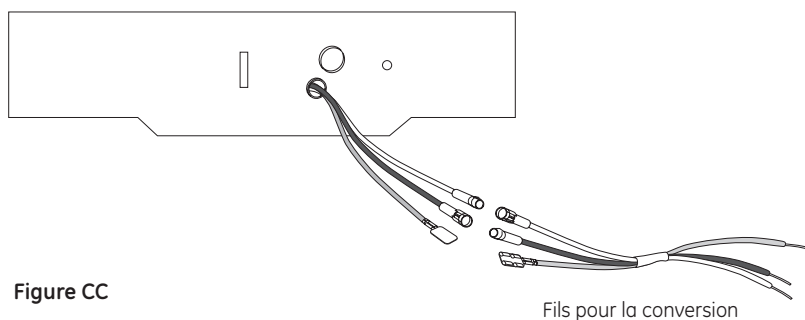
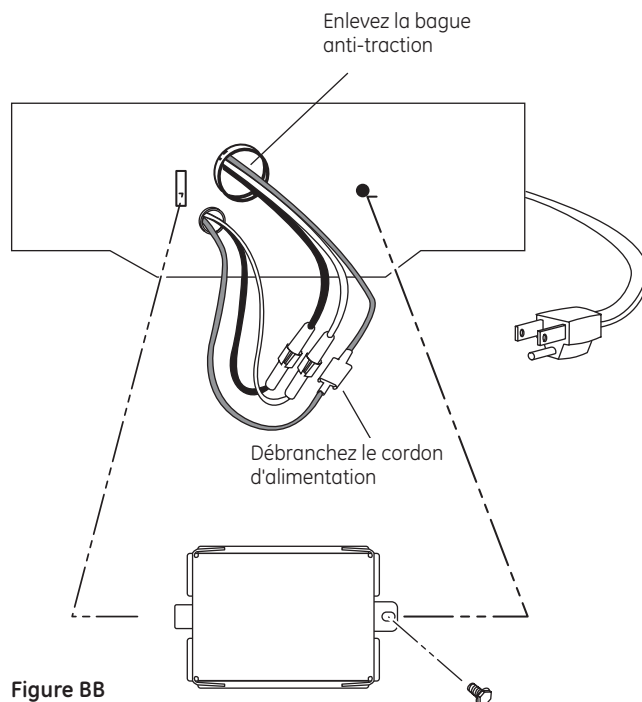
- Laissez le Manuel d'utilisation, les directives d'installation, les échantillons et(ou) les bons au consommateur.



TRANSFORMATION D'UN LAVE-VAISSELLE DOTÉ D'UN CORDON D'ALIMENTATION INSTALLÉ À L'USINE EN VUE D'UN BRANCHEMENT PERMANENT

Pour accomplir cette procédure, vous avez besoin des fils pour la conversion mis de côté à l'étape 1.

- Assurez-vous que le cordon d'alimentation du lave-vaisselle est débranché de la prise de courant murale.
- Enlevez la vis du couvercle de la boîte de jonction, puis enlevez le couvercle, s'il y a lieu.
- Débranchez les trois conducteurs du cordon d'alimentation du faisceau du lave-vaisselle. Reportez-vous à la Figure BB.
- Enlevez et jetez le cordon d'alimentation.
- Branchez les fils pour la conversion (fournis avec le lave-vaisselle) au faisceau du lave-vaisselle, en branchant ensemble les fils de même couleur. Reportez-vous à la Figure CC.
- Retournez à l'étape 16 des présentes directives pour terminer la conversion.



LES SPÉCIFICATIONS PEUVENT ÊTRE MODIFIÉES SANS PRÉAVIS



GE Consumer & Industrial
General Electric Company
Louisville, Kentucky 40225
GEAppliances.com

206C1559P195 31-30255
07-09 JR