

This Owner's Manual is provided and hosted by [Appliance Factory Parts](#).



# LG LMHN240HV Owner's Manual

[Shop genuine replacement parts for LG LMHN240HV](#)



[Find Your LG HVAC Parts - Select From 245 Models](#)

----- Manual continues below part list -----

## Available Replacement Parts for LG LMHN240HV

<a href="#">4681A20197F</a>	Dc Motor Assembly
<a href="#">5230A30001L</a>	Air Filter
<a href="#">EBG61325805</a>	Ntc Thermistor Assembly



Internal Use Only

<http://biz.lgservice.com>

# Air Conditioner

## SVC MANUAL(Exploded View)

Type : Ceiling Concealed Duct

MODEL : AMNW24GBGA0 [LMHN240HV]  
AMNW36GBGA0 [LMHN360HV]

### CAUTION

Before Servicing the unit, read the safety precautions in General SVC manual.  
Only for authorized service personnel.

# 1. Specification

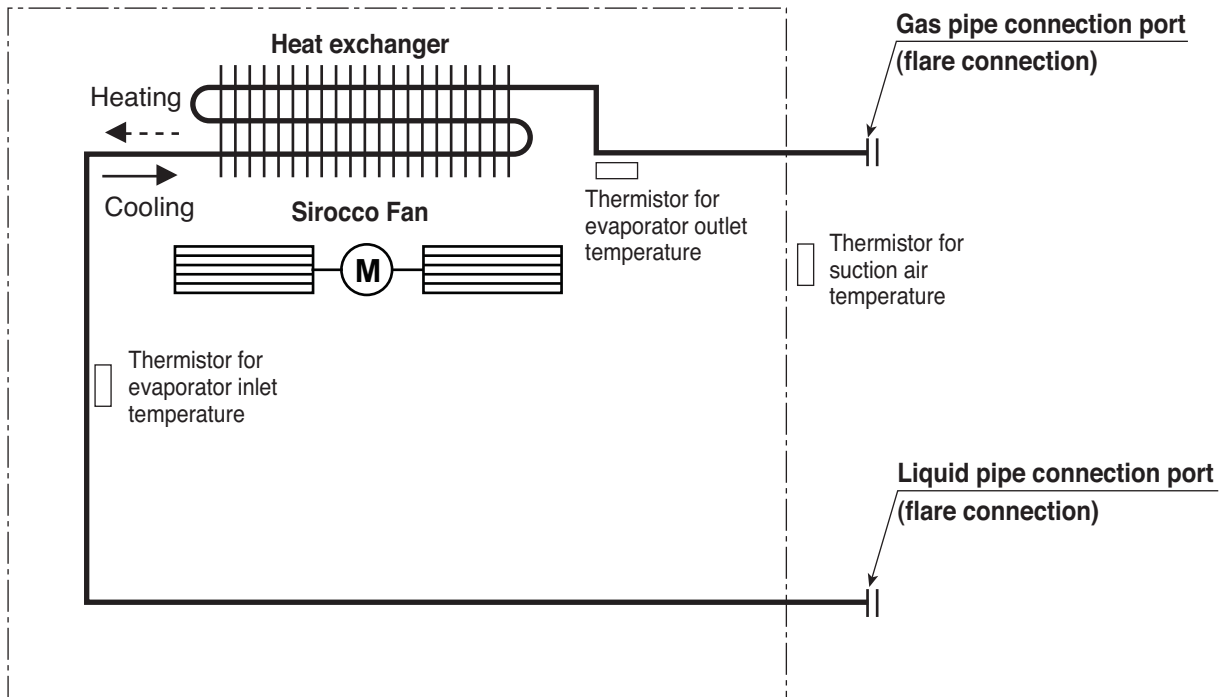
## Indoor

Model Name			AMNW24GBGA0 [LMHN240HV]	AMNW36GBGA0 [LMHN360HV]
Power Supply		V, Ø, Hz	208/230, 1, 60 220, 1, 60	208/230, 1, 60 220, 1, 60
Capacity	Nominal	kW Class	7.03	10.6
	Nominal	Btu/h Class	24,000	36,000
Casing Color		-	-	-
Dimensions	Body	W x H x D	mm	1182 x 298 x 450
		W x H x D	inch	46-17/32 x 11-23/32 x 17-23/32
Net Weight	Body	kg (lbs)	36 (79.4)	41 (90.4)
Heat Exchanger	(Row x Column x Fins per inch) x No.		-	(2 x 12 x 21) x 1
	Face Area		m <sup>2</sup> (ft <sup>2</sup> )	0.26 (2.77) x 1
Fan	Type		-	Sirocco Fan
	Air Flow Rate (Standard Mode)	H / M / L	m <sup>3</sup> /min	19.5 / 17.5 / 15.0
		H / M / L	ft <sup>3</sup> /min	688 / 618 / 530
		External Static Pressure	mmAq(inAq)	4 (0.16)
	Air Flow Rate (High Mode - factory set)	H / M / L	m <sup>3</sup> /min	19.5 / 17.5 / 15.0
		H / M / L	ft <sup>3</sup> /min	688 / 618 / 530
External Static Pressure		mmAq(inAq)	10 (0.39)	
Fan Motor	Type		-	BLDC
	Output		W x No.	154 x 1
	Running Current		A	0.9
Sound Pressure Level (Standard Mode)		H / M / L	dB(A)	37 / 36 / 35
Sound Power Level		Cooling	dB(A)	-
Piping Connections	Liquid		mm(inch)	6.35 (1/4)
	Gas		mm(inch)	12.7 (1/2)
	Drain (O.D / I.D.)		mm(inch)	Ø 32.0(1-1/4) / 25.0(31/32)
Safety Devices		-	Fuse	Fuse
		-	Thermal Protector for Fan Motor	Thermal Protector for Fan Motor
Power and Communication Cable (included Earth)		No. x AWG	4C x 18	4C x 18

### Note:

- All data are based on the following conditions:
  - Cooling Temperature : Indoor 26.7°C(80°F) DB / 19.4°C(67°F) WB  
Outdoor 35°C(95°F) DB / 23.9°C(75°F) WB
  - Heating Temperature : Indoor 21.1°C(70°F) DB / 15.6°C(60°F) WB  
Outdoor 8.33°C(47°F) DB / 6.11°C(43°F) WB
  - Piping Length : Interconnected Pipe Length = 7.5m
  - Difference Limit of Elevation (Outdoor ~ Indoor Unit) is Zero.
- Wiring cable size must comply with the applicable local and national code.
- Due to our policy of innovation some specifications may be changed without notification.
- Sound Level Values are measured at Anechoic chamber.  
Therefore, these values can be increased owing to ambient conditions during operation.

## 2. Piping Diagrams



Description	PCB Connector
Thermistor for suction air temperature	CN-ROOM
Thermistor for evaporator inlet temperature	CN-PIPE / IN
Thermistor for evaporator outlet temperature	CN-PIPE / OUT

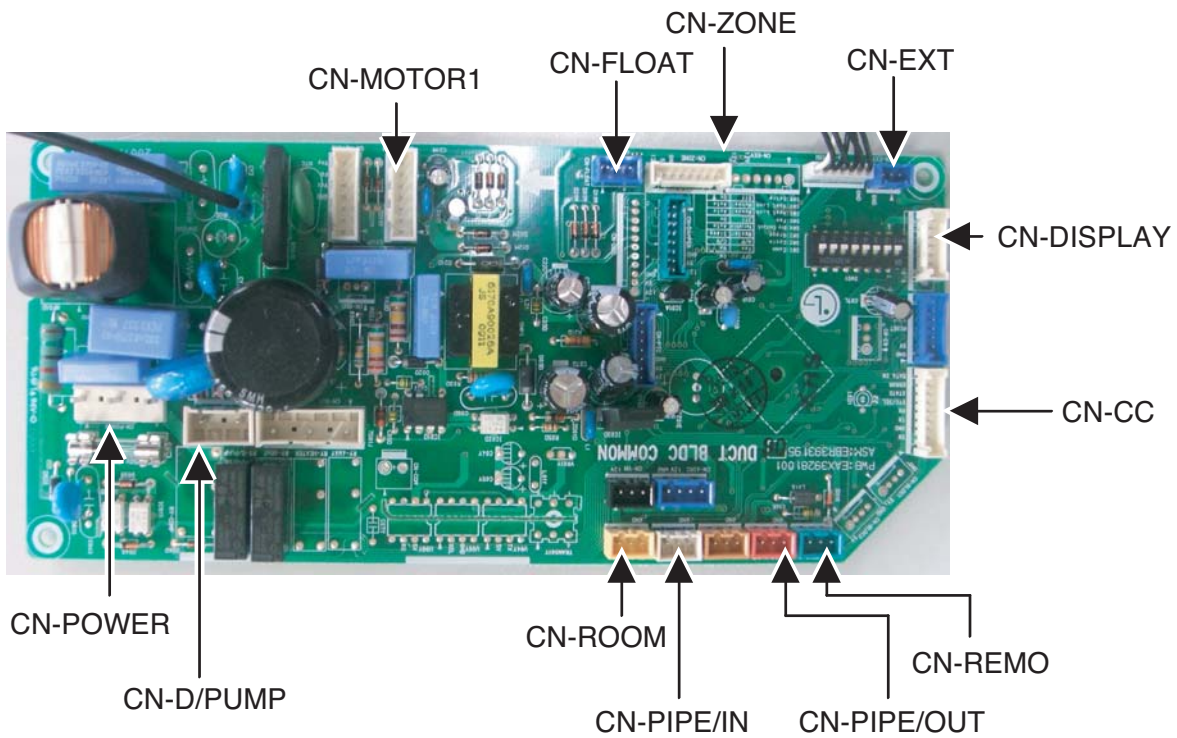
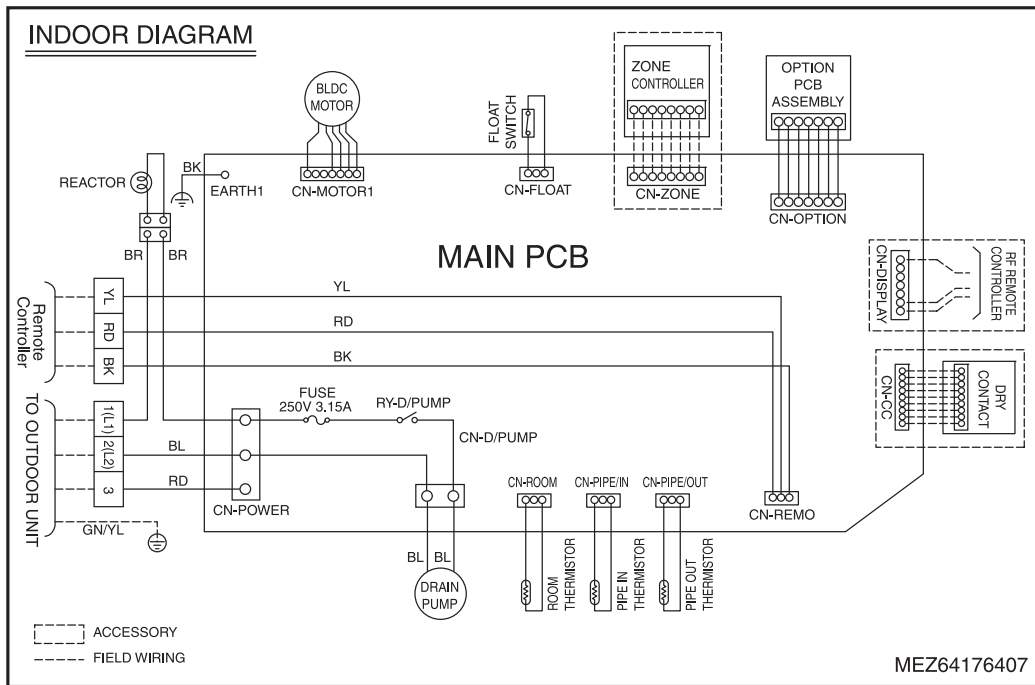
### ■ Refrigerant pipe connection port diameters

[Unit:mm(inch)]

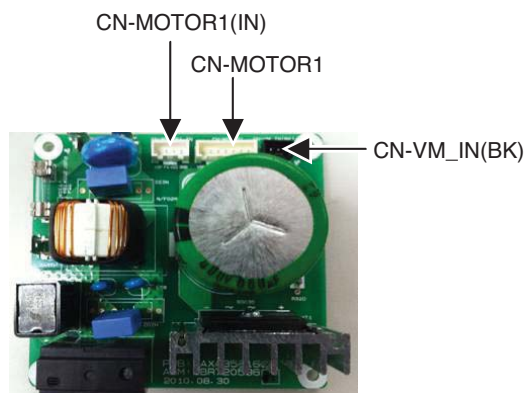
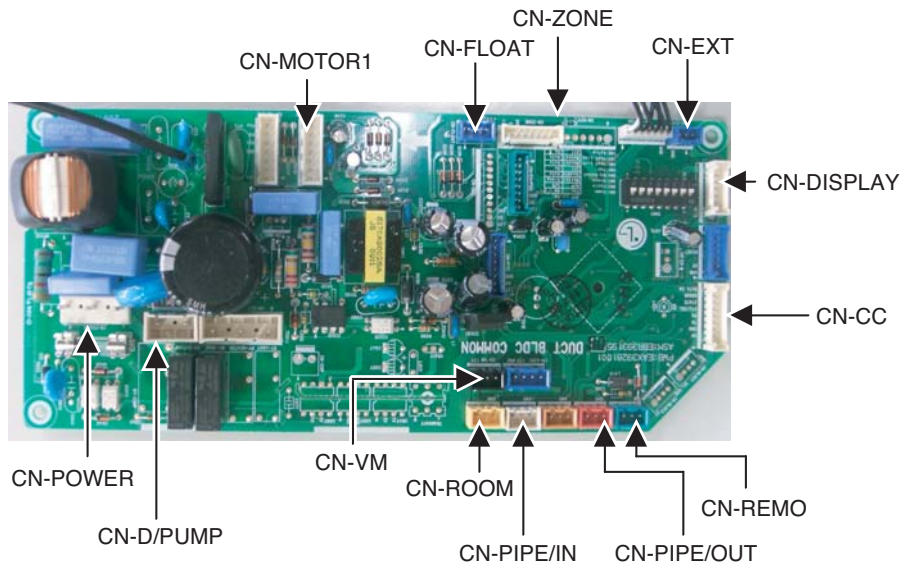
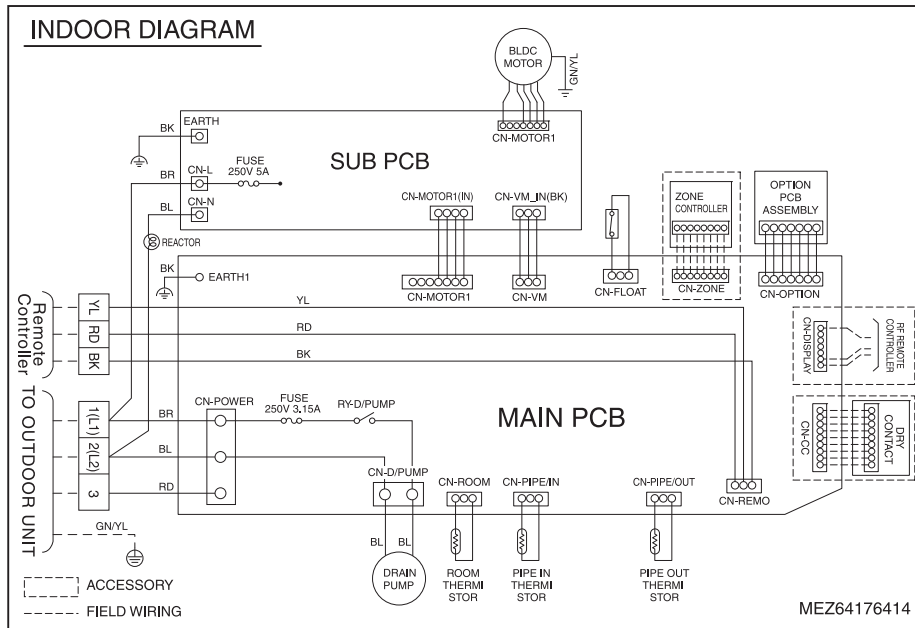
Model	Gas	Liquid
AMNW24GBGA0 [LMHN240HV]	Ø12.7 (1/2)	Ø6.35 (1/4)
AMNW36GBGA0 [LMHN360HV]	Ø15.88 (5/8)	Ø9.52 (3/8)

# 3. Wiring Diagrams

MODEL : AMNW24GBGA0 [LMHN240HV]

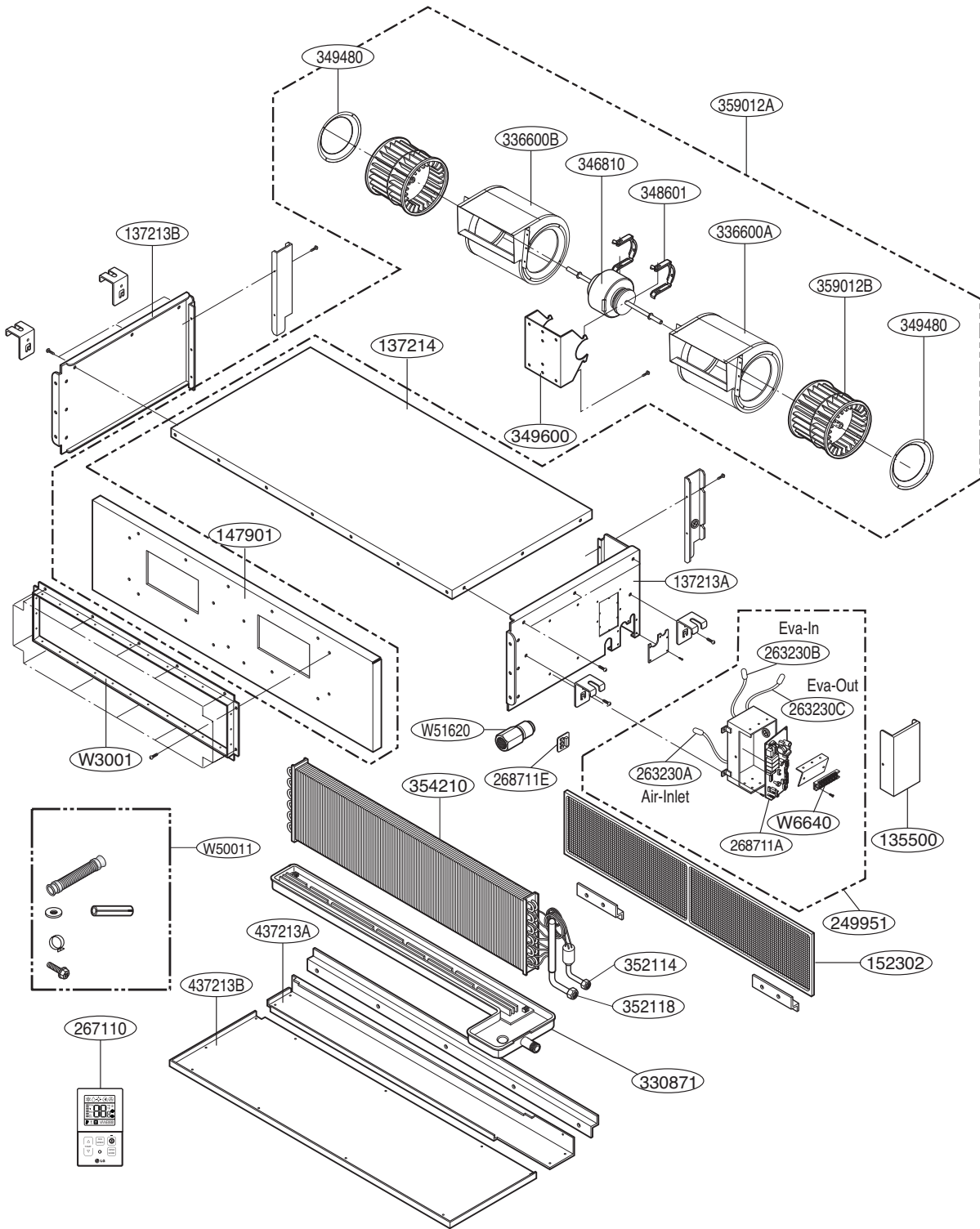


**MODEL : AMNW36GBGA0 [LMHN360HV]**



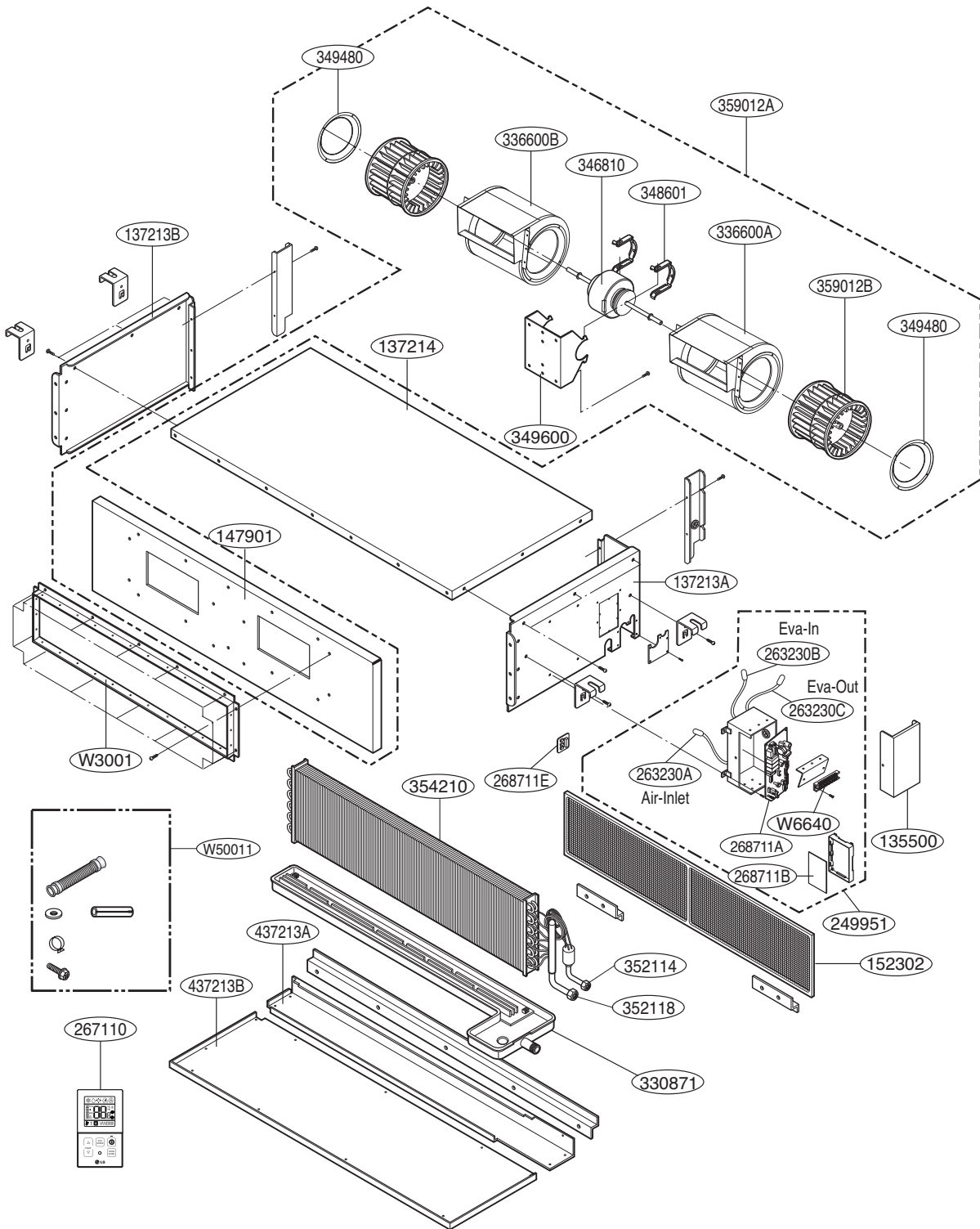
# 4. Exploded View

MODEL : AMNW24GBGA0 [LMHN240HV]



Location No.	Description	Sensor Information	Housing Color
263230A	Thermistor1(CN_ROOM)	Air-Inlet	Orange
263230B	Thermistor2(CN_PIPE/IN)	Eva-in	White
263230C	Thermistor3(CN_PIPE/OUT)	Eva-out	Red

**MODEL : AMNW36GBGA0 [LMHN360HV]**



Location No.	Description	Sensor Information	Housing Color
263230A	Thermistor1(CN_ROOM)	Air-Inlet	Orange
263230B	Thermistor2(CN_PIPE/IN)	Eva-in	White
263230C	Thermistor3(CN_PIPE/OUT)	Eva-out	Red



P/NO : MFL67523120

October, 2013