

This Owner's Manual is provided and hosted by [Appliance Factory Parts](#).



# LG LMN096HVT Owner's Manual

[Shop genuine replacement parts for LG LMN096HVT](#)



[Find Your LG Air Conditioner Parts - Select From 2330 Models](#)

----- Manual continues below part list -----

## Available Replacement Parts for LG LMN096HVT

<a href="#">4280A20004M</a>	Bearing
<a href="#">EBG61325804</a>	Ntc Thermistor Assembly
<a href="#">6871A20259D</a>	Sub Pcb Assembly
<a href="#">EBG61107008</a>	Ntc Thermistor Assembly
<a href="#">EAU62004011</a>	Motor Assembly,dc,indoor
<a href="#">ADQ68719501</a>	Air Cleaner Filter Assembly
<a href="#">EAU57945603</a>	Motor Assembly,dc,stepping
<a href="#">MCR60969401</a>	Decor
<a href="#">MDJ56986401</a>	Air Filter
<a href="#">MFH59924301</a>	Horizontal Louver
<a href="#">4681A20042G</a>	Motor Assembly,dc,stepping
<a href="#">ADP67813503</a>	Cross Flow Fan Assembly
<a href="#">AEB72004121</a>	Dischargeindo Grille Assembly



Internal Use Only

<http://biz.lgservice.com>

# Room Air Conditioner

## SVC MANUAL(Exploded View)

**MODEL : AMNW09GDBL0 [LMN096HVT]  
AMNW12GDBL0 [LMN126HVT]**

### **CAUTION**

Before Servicing the unit, read the safety precautions in General SVC manual.  
Only for authorized service personnel.

# 1. Specification

## Indoor

Model			AMNW09GDBL0 [LMN096HVT]	AMNW12GDBL0 [LMN126HVT]
Power Supply		Ø / V / Hz	1/208-230/60	1/208-230/60
Capacity(*)		Btu/h Class	9,000	12,000
Current	Running Current	A	0.15	0.15
Fan	Motor Type		BLDC	BLDC
	Fan Type		Cross Flow Fan	Cross Flow Fan
	Motor Output(W) x No. of Unit		14.4 x 1	14.4 x 1
	Air Flow Rate (H / M / L)	CMM	7 / 6.5 / 6	9.5 / 9 / 8.5
		CFM	247/230/212	336/318/300
	External Static Pressure	mmAq	-	-
	Capacitor	µF / Vac	-	-
Drive		Direct Drive	Direct Drive	
Coil	Row x Column x FPI		2R x 16C x 23	2R x 16C x 23
Dimensions (W x H x D)	Body	mm	885 x 285 x 210	885 x 285 x 210
		inch	34-27/32 x 11-7/32 x 8-9/32	34-27/32 x 11-7/32 x 8-9/32
	Decorative Panel	mm	-	-
		inch	-	-
Net Weight	Body	kg (lbs)	11(24.5)	11(24.5)
	Decorative Panel	kg (lbs)	-	-
Air Filter			Long Life Filter	Long Life Filter
Sound Level (H / M / L)		dB(A)+3	33 / 30 / 27	39 / 36 / 31
Piping	Liquid	mm (inch)	6.35 (1/4)	6.35 (1/4)
Connections	Gas	mm (inch)	9.52 (3/8)	9.52 (3/8)
	Drain(OD/ID)	mm(inch)	21.5/16 (0.846/0.630)	21.5/16 (0.846/0.630)
Dehumidification Rate		l/h	1.1	1.2
Safety Devices			Fuse, Thermal Protector for Fan Motor	
Temperature Sensor			Thermistor	Thermistor
Refrigerant			R410A	R410A
Refrigerant Control			EEV(in Outdoor unit or BD)	EEV(in Outdoor unit or BD)
Transmission Interunit Cable		No. x AWG	4x18(including earth)	4x18(including earth)

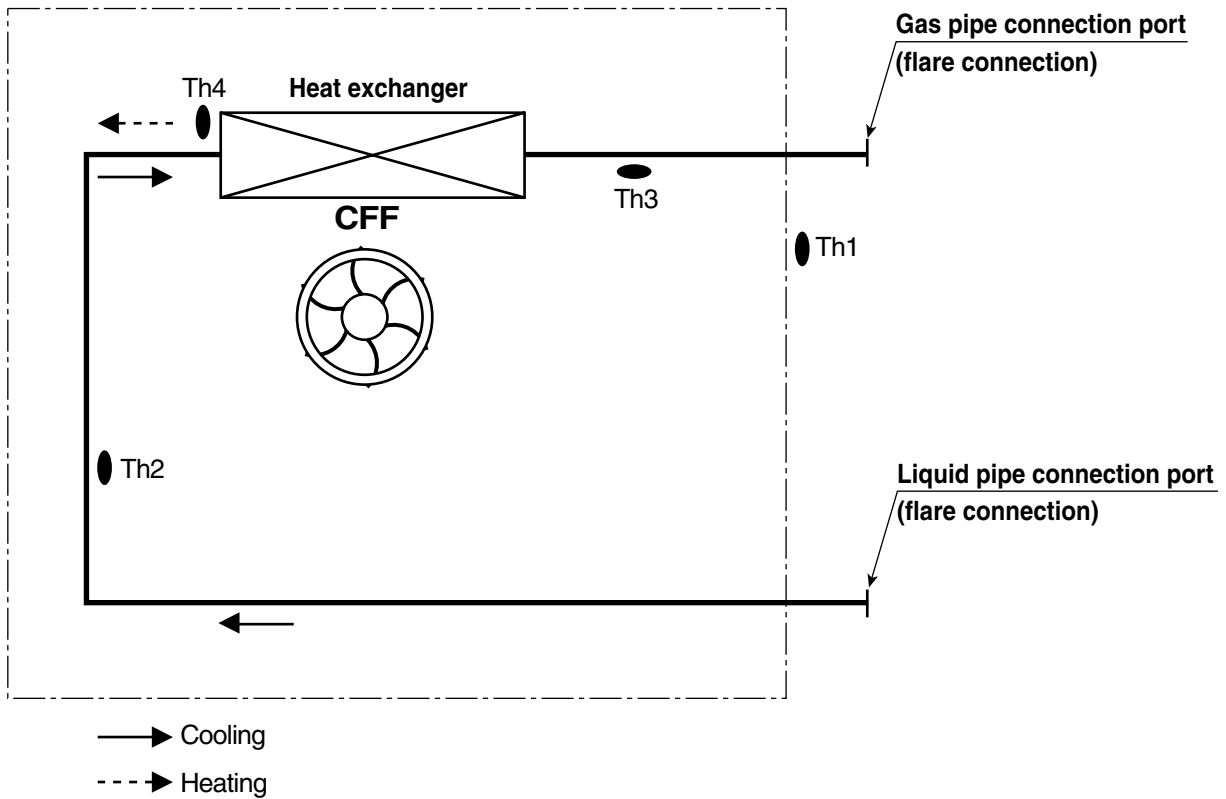
### Note:

- Capacities are based on the following conditions:  
 Cooling: - Indoor Temperature 27°C(80.6°F) DB/19°C(66.2°F) WB  
 - Outdoor Temperature 35°C(95°F) DB/24°C(75.2°F) WB  
 Heating: - Indoor Temperature 20°C(68°F) DB/15°C(59°F) WB  
 - Outdoor Temperature 7°C(44.6°F) DB/6°C(42.8°F) WB  
 Piping Length - Interconnecting Piping Length 7.5m  
 - Level Difference of Zero

- Wiring cable size must comply with the applicable local and national code.
- The specification may be subject to change without prior notice for purpose of improvement.

Conversion Formula
kW = Btu/h x 0.0002931
cfm = CMM x 35.3

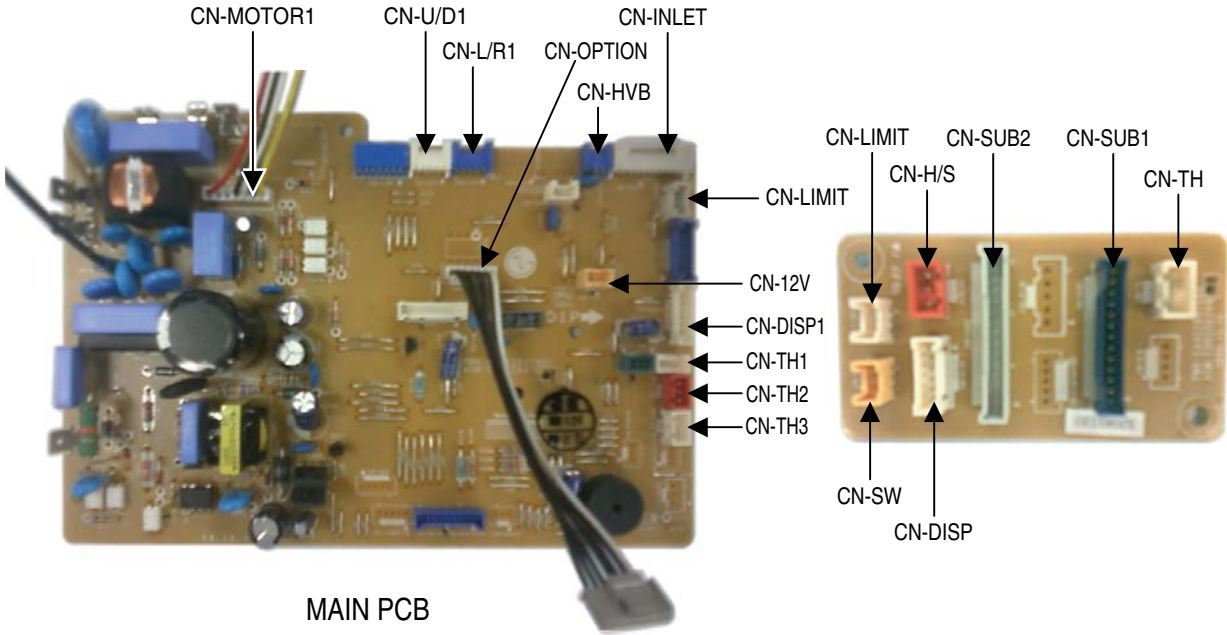
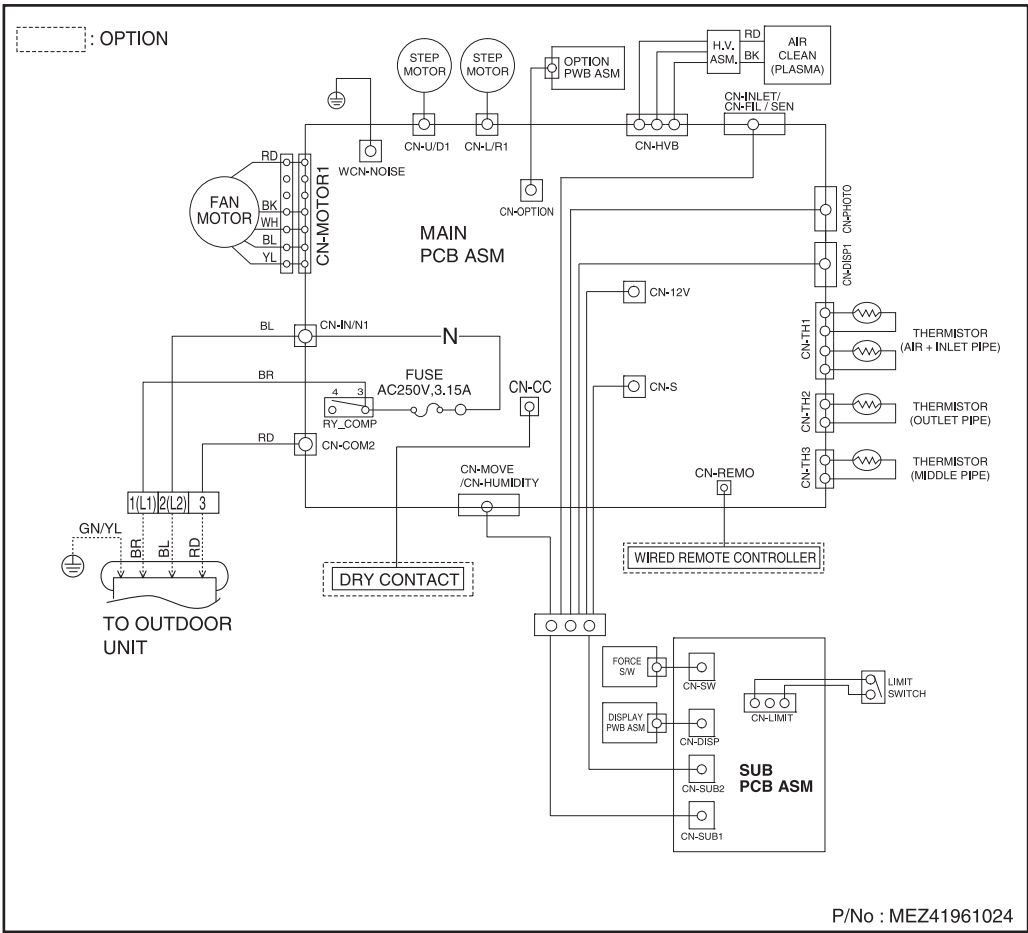
## 2. Piping Diagrams



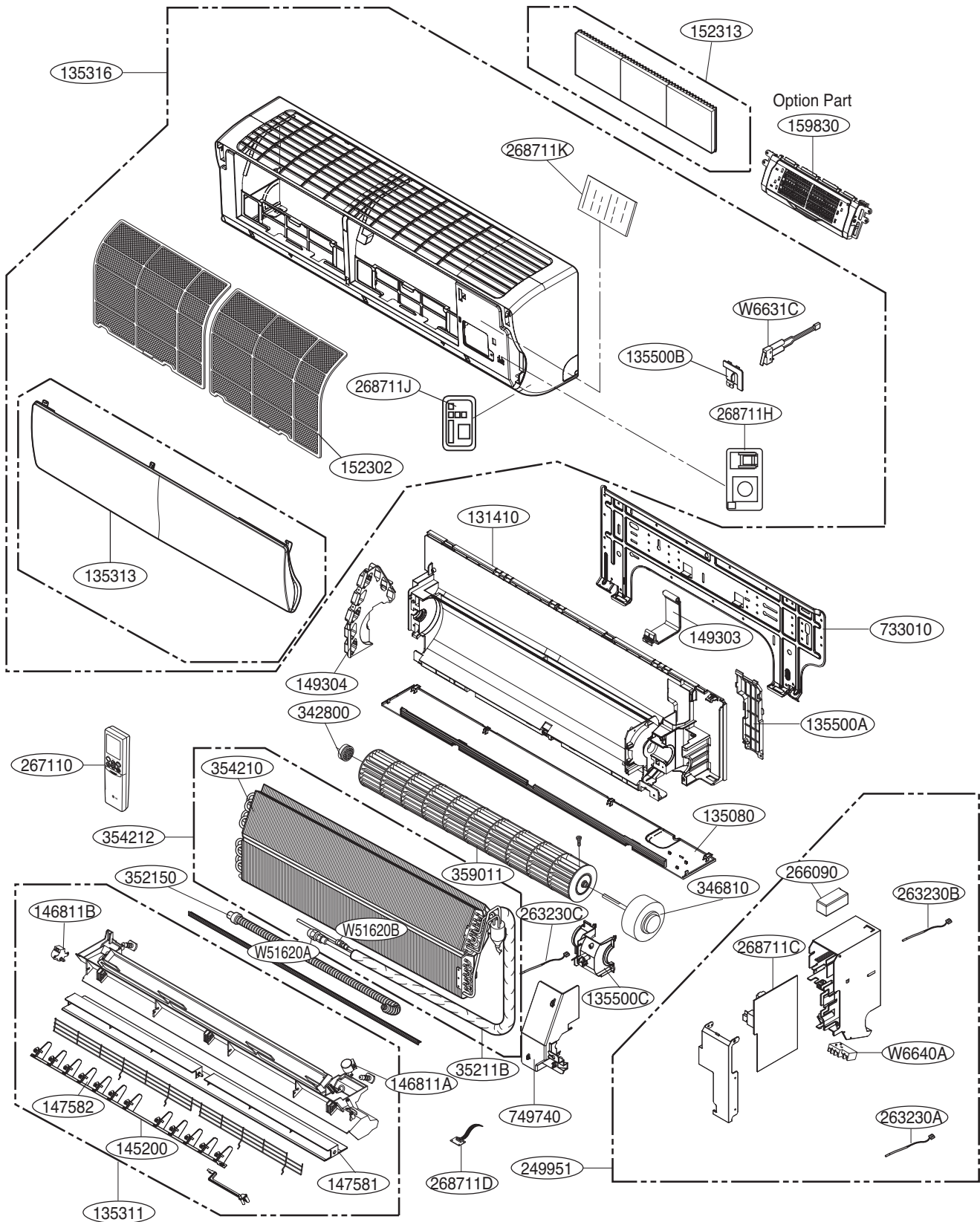
LOC.	Description	PCB Connector
Th1	Thermistor for suction air temperature	CN-TH1(Indoor)
Th2	Thermistor for evaporator inlet temperature	
Th3	Thermistor for evaporator outlet temperature	CN-TH2(Indoor)
Th4	Thermistor for evaporator middle temperature	CN-TH3(Indoor)

# 3. Wiring Diagrams

## Indoor Unit



# 4. Exploded View





P/NO : MFL61777625

NOVEMBER, 2010