



## Available Replacement Parts for LG LMN097HVT

<a href="#">4280A20004M</a>	Bearing
<a href="#">EBG61325804</a>	Ntc Thermistor Assembly
<a href="#">6871A20259D</a>	Sub Pcb Assembly
<a href="#">EAU62004011</a>	Motor Assembly,dc,indoor
<a href="#">ADQ68719501</a>	Air Cleaner Filter Assembly
<a href="#">EAU57945603</a>	Motor Assembly,dc,stepping
<a href="#">MCR60969401</a>	Decor
<a href="#">MDJ56986401</a>	Air Filter
<a href="#">MFH59924301</a>	Horizontal Louver
<a href="#">4681A20042G</a>	Motor Assembly,dc,stepping
<a href="#">ADP67813503</a>	Cross Flow Fan Assembly
<a href="#">EBR75116304</a>	Main Pcb Assembly
<a href="#">AKB74375403</a>	Remote Control



Internal Use Only

<http://biz.lgservice.com>

# Wall Mounted Air Conditioner **SVC MANUAL(Exploded View)**

**MODEL : AMNW07GDBL1 [LMN077HVT]  
AMNW09GDBL1 [LMN097HVT]  
AMNW12GDBL1 [LMN127HVT]  
AMNW15GDBL1 [LMN157HVT]**

## **CAUTION**

Before Servicing the unit, read the safety precautions in General SVC manual.  
Only for authorized service personnel.

# 1. Specification

## Indoor

Model			AMNW07GDBL1 [LMN077HVT]	AMNW09GDBL1 [LMN097HVT]
Power Supply		Ø, V, Hz	1, 208/230, 60	1, 208/230, 60
Capacity(*)		Btu/h Class	7,000	9,000
Current	Running Current	A	0.2	0.2
Fan	Motor Type		BLDC	BLDC
	Fan Type		Cross Flow Fan	Cross Flow Fan
	Motor Output(W) x No. of Unit		14.4 x 1	14.4 x 1
	Air Flow Rate (H / M / L)	CMM	5.6 / 5.0 / 4.6	7.0 / 6.5 / 6.0
		CFM	198 / 177 / 162	247 / 230 / 212
	External Static Pressure	mmAq	-	-
	Capacitor	µF / Vac	-	-
Drive		Direct Drive	Direct Drive	
Coil	Row x Column x FPI		2R x 16C x 23	2R x 16C x 23
Dimensions (W x H x D)	Body	mm	895 x 289 x 210	895 x 289 x 210
		inch	35-1/4 x 11-3/8 x 8-9/32	35-1/4 x 11-3/8 x 8-9/32
	Decorative Panel	mm	-	-
		inch	-	-
Net Weight	Body	kg (lbs)	9.5(20.9)	9.5(20.9)
	Decorative Panel	kg (lbs)	-	-
Air Filter			Long Life Filter	Long Life Filter
Sound Level (H / M / L)		dB(A)+3	33 / 30 / 26	33 / 30 / 27
Piping	Liquid	mm (inch)	6.35 (1/4)	6.35 (1/4)
Connections	Gas	mm (inch)	9.52 (3/8)	9.52 (3/8)
	Drain(OD/ID)	mm(inch)	21.5/16 (0.846/0.630)	21.5/16 (0.846/0.630)
Dehumidification Rate		l/h	1.1	1.1
Safety Devices			Fuse, Thermal Protector for Fan Motor	
Temperature Sensor			Thermistor	Thermistor
Refrigerant			R410A	R410A
Refrigerant Control			EEV(in Outdoor unit or BD)	EEV(in Outdoor unit or BD)
Transmission Interunit Cable		No. x AWG	4x18(including earth)	4x18(including earth)

### Note:

- Capacities are based on the following conditions:  
 Cooling: - Indoor Temperature 27°C(80.6°F) DB/19°C(66.2°F) WB  
 - Outdoor Temperature 35°C(95°F) DB/24°C(75.2°F) WB  
 Heating: - Indoor Temperature 20°C(68°F) DB/15°C(59°F) WB  
 - Outdoor Temperature 7°C(44.6°F) DB/6°C(42.8°F) WB  
 Piping Length - Interconnecting Piping Length 7.5m  
 - Level Difference of Zero

2. Wiring cable size must comply with the applicable local and national code.

3. The specification may be subject to change without prior notice for purpose of improvement.

Conversion Formula
kW = Btu/h x 0.0002931
cfm = CMM x 35.3

Model			AMNW12GDBL1 [LMN127HVT]	AMNW15GDBL1 [LMN157HVT]
Power Supply		Ø, V, Hz	1, 208/230, 60	1, 208/230, 60
Capacity(*)		Btu/h Class	12,000	14,300
Current	Running Current	A	0.2	0.2
Fan	Motor Type		BLDC	BLDC
	Fan Type		Cross Flow Fan	Cross Flow Fan
	Motor Output(W) x No. of Unit		14.4 x 1	14.4 x 1
	Air Flow Rate (H / M / L)	CMM	9.5 / 9.0 / 8.5	10.5 / 9.0 / 7.0
		CFM	336 / 318 / 300	371 / 318 / 247
	External Static Pressure	mmAq	-	-
	Capacitor	µF / Vac	-	-
Drive		Direct Drive	Direct Drive	
Coil	Row x Column x FPI		2R x 16C x 23	2R x 16C x 23
Dimensions (W x H x D)	Body	mm	895 x 289 x 210	895 x 289 x 210
		inch	35-1/4 x 11-3/8 x 8-9/32	35-1/4 x 11-3/8 x 8-9/32
	Decorative Panel	mm	-	-
		inch	-	-
Net Weight	Body	kg (lbs)	9.5(20.9)	9.5(20.9)
	Decorative Panel	kg (lbs)	-	-
Air Filter			Long Life Filter	Long Life Filter
Sound Level (H / M / L)		dB(A)+3	39 / 36 / 31	43 / 39 / 34
Piping	Liquid	mm (inch)	6.35 (1/4)	6.35 (1/4)
Connections	Gas	mm (inch)	9.52 (3/8)	9.52 (3/8)
	Drain(OD/ID)	mm(inch)	21.5/16 (0.846/0.630)	21.5/16 (0.846/0.630)
Dehumidification Rate		l/h	1.2	1.2
Safety Devices			Fuse, Thermal Protector for Fan Motor	
Temperature Sensor			Thermistor	Thermistor
Refrigerant			R410A	R410A
Refrigerant Control			EEV(in Outdoor unit or BD)	EEV(in Outdoor unit or BD)
Transmission Interunit Cable		No. x AWG	4x18(including earth)	4x18(including earth)

**Note:**

1. Capacities are based on the following conditions:

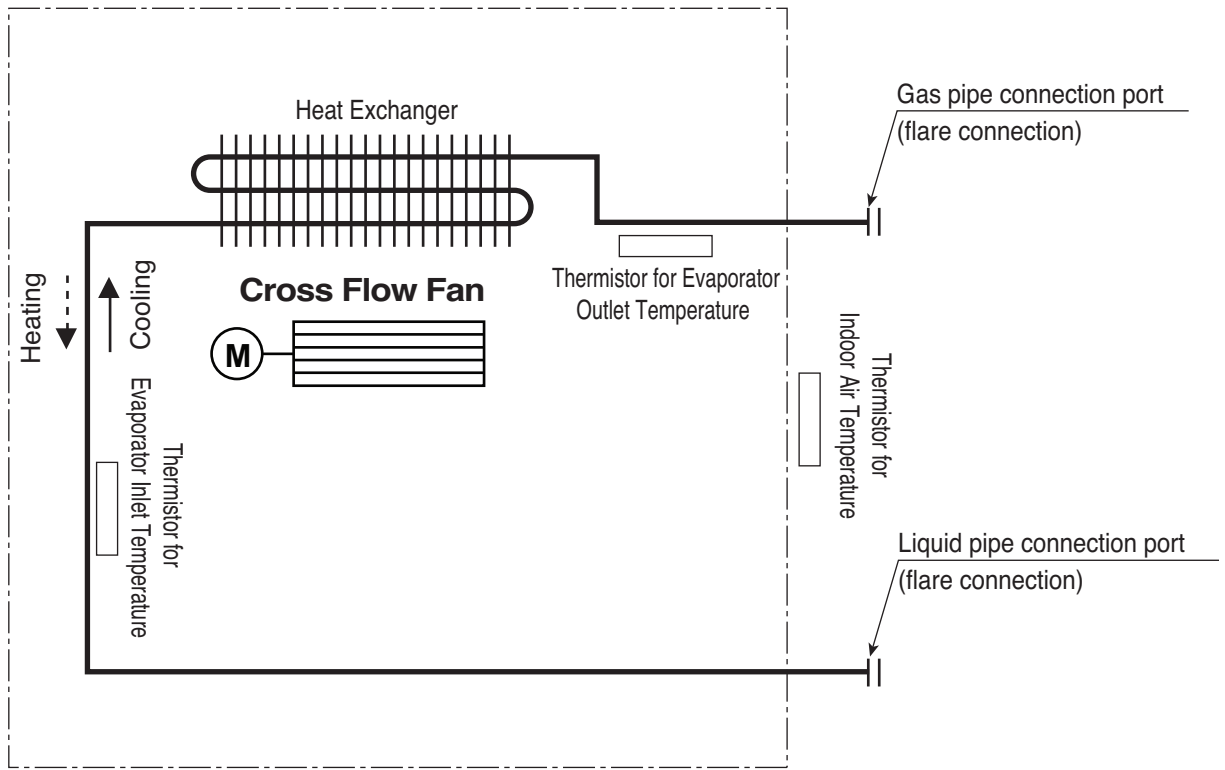
- Cooling: - Indoor Temperature 27°C(80.6°F) DB/19°C(66.2°F) WB
- Outdoor Temperature 35°C(95°F) DB/24°C(75.2°F) WB
- Heating: - Indoor Temperature 20°C(68°F) DB/15°C(59°F) WB
- Outdoor Temperature 7°C(44.6°F) DB/6°C(42.8°F) WB
- Piping Length - Interconnecting Piping Length 7.5m
- Level Difference of Zero

2. Wiring cable size must comply with the applicable local and national code.

3. The specification may be subject to change without prior notice for purpose of improvement.

Conversion Formula
kW = Btu/h x 0.0002931
cfm = CMM x 35.3

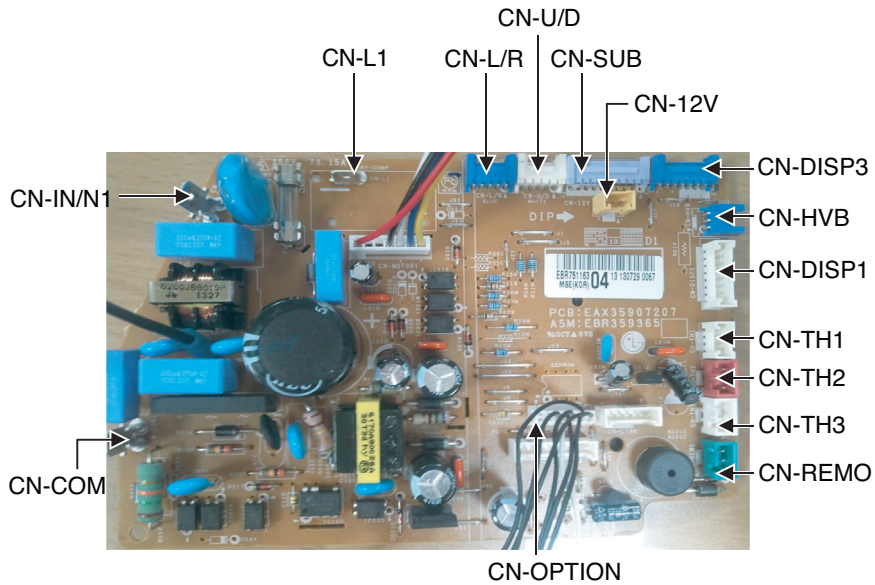
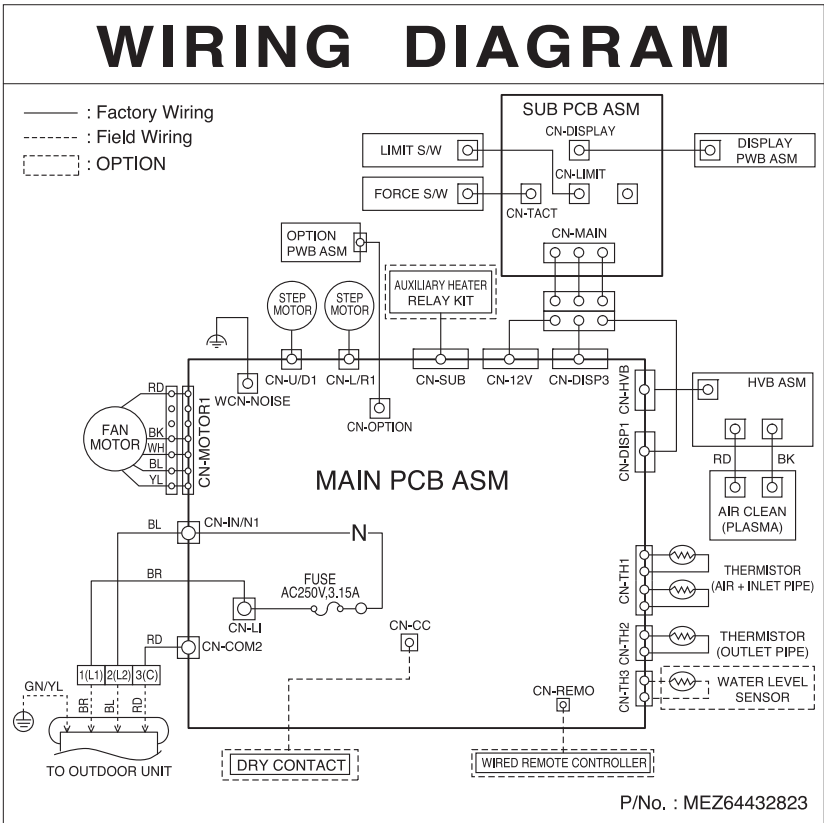
## 2. Piping Diagrams



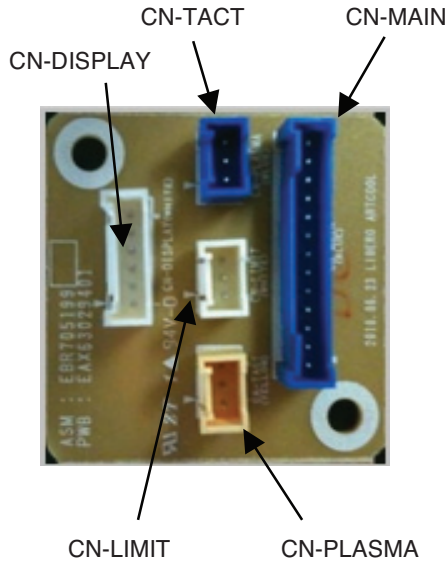
Description	PCB Connector
Thermistor for Indoor Air Temperature	CN-TH1
Thermistor for Evaporator Inlet Temperature	
Thermistor for Evaporator Outlet Temperature	CN-TH2

# 3. Wiring Diagrams

## Indoor Unit

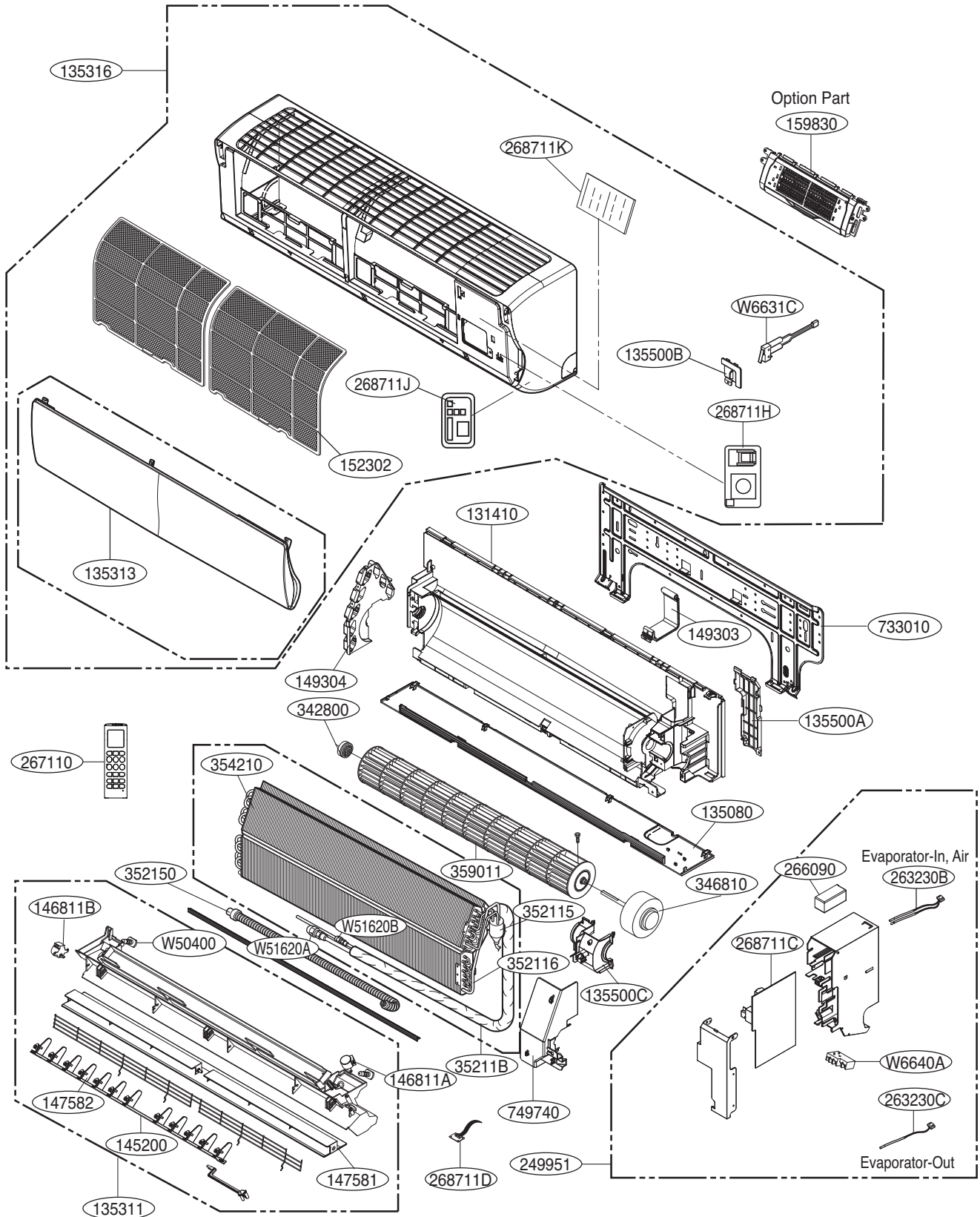


**Main PCB**



**Sub PCB**

# 4. Exploded View





P/NO : MFL67482722

JUNE, 2014