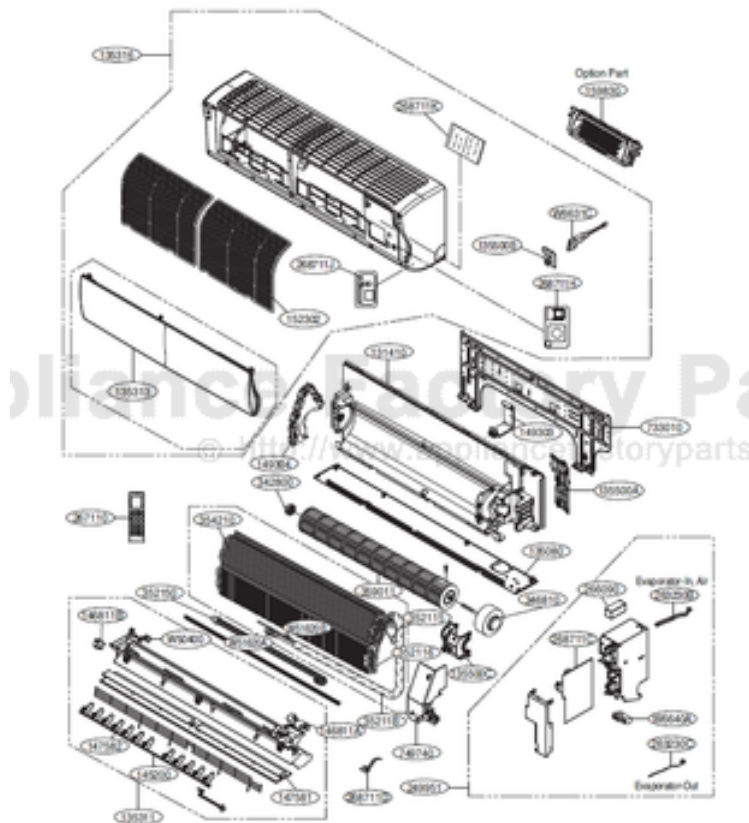


This Owner's Manual is provided and hosted by Appliance Factory Parts.



LG LMN127HVT Owner's Manual

[Shop genuine replacement parts for LG LMN127HVT](#)



[Find Your LG Air Conditioner Parts - Select From 2330 Models](#)

----- Manual continues below part list -----

Available Replacement Parts for LG LMN127HVT

4280A20004M	Bearing
EBG61325804	Ntc Thermistor Assembly
6871A20259D	Sub Pcb Assembly
EAU62004011	Motor Assembly,dc,indoor
ADQ68719501	Air Cleaner Filter Assembly
EAU57945603	Motor Assembly,dc,stepping
MCR60969401	Decor
MDJ56986401	Air Filter
MFH59924301	Horizontal Louver
4681A20042G	Motor Assembly,dc,stepping
ADP67813503	Cross Flow Fan Assembly
EBR75116304	Main Pcb Assembly
AKB74375403	Remote Control



Internal Use Only

<http://biz.lgservice.com>

Wall Mounted Air Conditioner **SVC MANUAL(Exploded View)**

**MODEL : AMNW07GDBL1 [LMN077HVT]
AMNW09GDBL1 [LMN097HVT]
AMNW12GDBL1 [LMN127HVT]
AMNW15GDBL1 [LMN157HVT]**

CAUTION

Before Servicing the unit, read the safety precautions in General SVC manual.
Only for authorized service personnel.

1. Specification

Indoor

Model			AMNW07GDBL1 [LMN077HVT]	AMNW09GDBL1 [LMN097HVT]
Power Supply		Ø, V, Hz	1, 208/230, 60	1, 208/230, 60
Capacity(*)		Btu/h Class	7,000	9,000
Current	Running Current	A	0.2	0.2
Fan	Motor Type		BLDC	BLDC
	Fan Type		Cross Flow Fan	Cross Flow Fan
	Motor Output(W) x No. of Unit		14.4 x 1	14.4 x 1
	Air Flow Rate (H / M / L)	CMM	5.6 / 5.0 / 4.6	7.0 / 6.5 / 6.0
		CFM	198 / 177 / 162	247 / 230 / 212
	External Static Pressure	mmAq	-	-
	Capacitor	µF / Vac	-	-
Drive		Direct Drive	Direct Drive	
Coil	Row x Column x FPI		2R x 16C x 23	2R x 16C x 23
Dimensions (W x H x D)	Body	mm	895 x 289 x 210	895 x 289 x 210
		inch	35-1/4 x 11-3/8 x 8-9/32	35-1/4 x 11-3/8 x 8-9/32
	Decorative Panel	mm	-	-
		inch	-	-
Net Weight	Body	kg (lbs)	9.5(20.9)	9.5(20.9)
	Decorative Panel	kg (lbs)	-	-
Air Filter			Long Life Filter	Long Life Filter
Sound Level (H / M / L)		dB(A)+3	33 / 30 / 26	33 / 30 / 27
Piping	Liquid	mm (inch)	6.35 (1/4)	6.35 (1/4)
Connections	Gas	mm (inch)	9.52 (3/8)	9.52 (3/8)
	Drain(OD/ID)	mm(inch)	21.5/16 (0.846/0.630)	21.5/16 (0.846/0.630)
Dehumidification Rate		l/h	1.1	1.1
Safety Devices			Fuse, Thermal Protector for Fan Motor	
Temperature Sensor			Thermistor	Thermistor
Refrigerant			R410A	R410A
Refrigerant Control			EEV(in Outdoor unit or BD)	EEV(in Outdoor unit or BD)
Transmission Interunit Cable		No. x AWG	4x18(including earth)	4x18(including earth)

Note:

- Capacities are based on the following conditions:
 - Cooling: - Indoor Temperature 27°C(80.6°F) DB/19°C(66.2°F) WB
 - Outdoor Temperature 35°C(95°F) DB/24°C(75.2°F) WB
 - Heating: - Indoor Temperature 20°C(68°F) DB/15°C(59°F) WB
 - Outdoor Temperature 7°C(44.6°F) DB/6°C(42.8°F) WB
 - Piping Length - Interconnecting Piping Length 7.5m
 - Level Difference of Zero

2. Wiring cable size must comply with the applicable local and national code.

3. The specification may be subject to change without prior notice for purpose of improvement.

Conversion Formula
kW = Btu/h x 0.0002931
cfm = CMM x 35.3

Model			AMNW12GDBL1 [LMN127HVT]	AMNW15GDBL1 [LMN157HVT]
Power Supply		Ø, V, Hz	1, 208/230, 60	1, 208/230, 60
Capacity(*)		Btu/h Class	12,000	14,300
Current	Running Current	A	0.2	0.2
Fan	Motor Type		BLDC	BLDC
	Fan Type		Cross Flow Fan	Cross Flow Fan
	Motor Output(W) x No. of Unit		14.4 x 1	14.4 x 1
	Air Flow Rate (H / M / L)	CMM	9.5 / 9.0 / 8.5	10.5 / 9.0 / 7.0
		CFM	336 / 318 / 300	371 / 318 / 247
	External Static Pressure	mmAq	-	-
	Capacitor	µF / Vac	-	-
Drive		Direct Drive	Direct Drive	
Coil	Row x Column x FPI		2R x 16C x 23	2R x 16C x 23
Dimensions (W x H x D)	Body	mm	895 x 289 x 210	895 x 289 x 210
		inch	35-1/4 x 11-3/8 x 8-9/32	35-1/4 x 11-3/8 x 8-9/32
	Decorative Panel	mm	-	-
		inch	-	-
Net Weight	Body	kg (lbs)	9.5(20.9)	9.5(20.9)
	Decorative Panel	kg (lbs)	-	-
Air Filter			Long Life Filter	Long Life Filter
Sound Level (H / M / L)		dB(A)+3	39 / 36 / 31	43 / 39 / 34
Piping	Liquid	mm (inch)	6.35 (1/4)	6.35 (1/4)
Connections	Gas	mm (inch)	9.52 (3/8)	9.52 (3/8)
	Drain(OD/ID)	mm(inch)	21.5/16 (0.846/0.630)	21.5/16 (0.846/0.630)
Dehumidification Rate		l/h	1.2	1.2
Safety Devices			Fuse, Thermal Protector for Fan Motor	
Temperature Sensor			Thermistor	Thermistor
Refrigerant			R410A	R410A
Refrigerant Control			EEV(in Outdoor unit or BD)	EEV(in Outdoor unit or BD)
Transmission Interunit Cable		No. x AWG	4x18(including earth)	4x18(including earth)

Note:

1. Capacities are based on the following conditions:

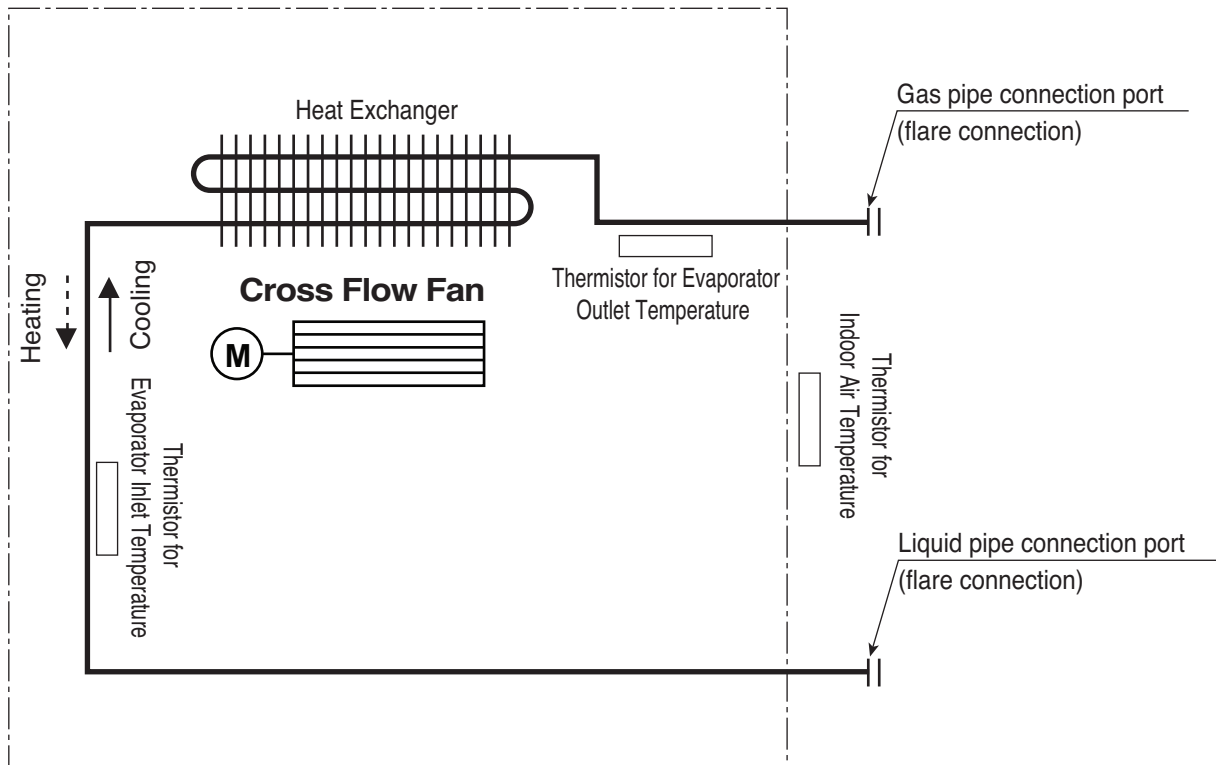
- Cooling: - Indoor Temperature 27°C(80.6°F) DB/19°C(66.2°F) WB
- Outdoor Temperature 35°C(95°F) DB/24°C(75.2°F) WB
- Heating: - Indoor Temperature 20°C(68°F) DB/15°C(59°F) WB
- Outdoor Temperature 7°C(44.6°F) DB/6°C(42.8°F) WB
- Piping Length - Interconnecting Piping Length 7.5m
- Level Difference of Zero

2. Wiring cable size must comply with the applicable local and national code.

3. The specification may be subject to change without prior notice for purpose of improvement.

Conversion Formula
kW = Btu/h x 0.0002931
cfm = CMM x 35.3

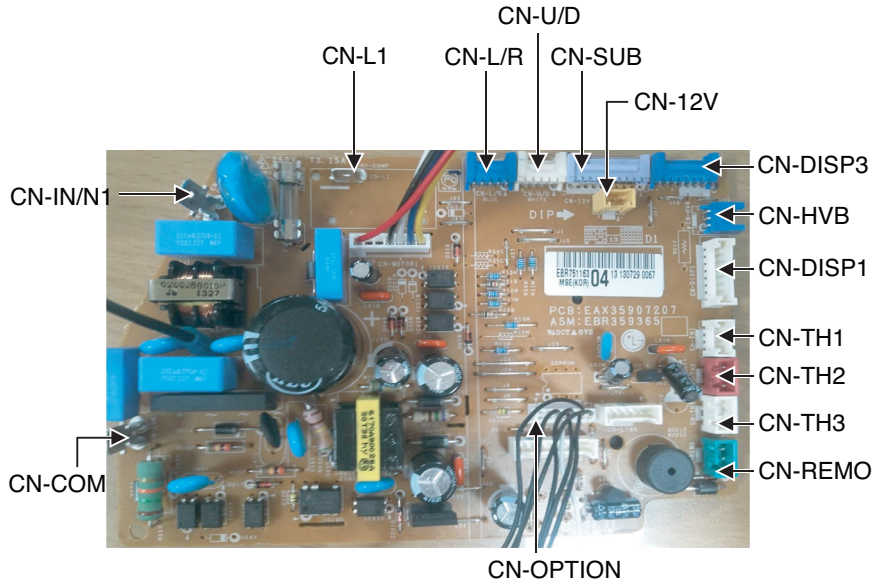
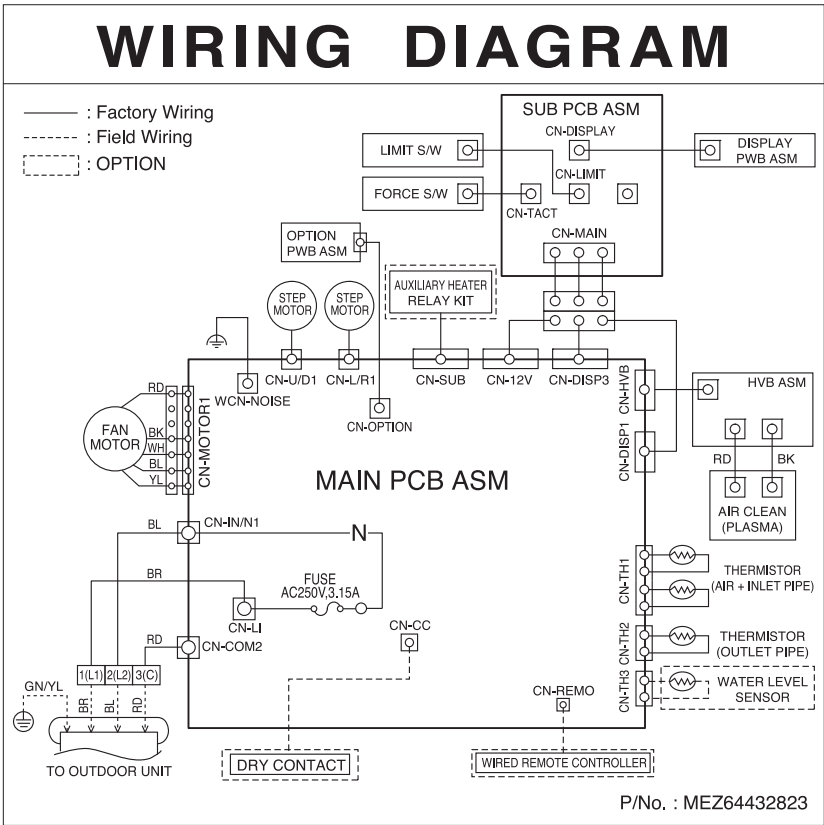
2. Piping Diagrams



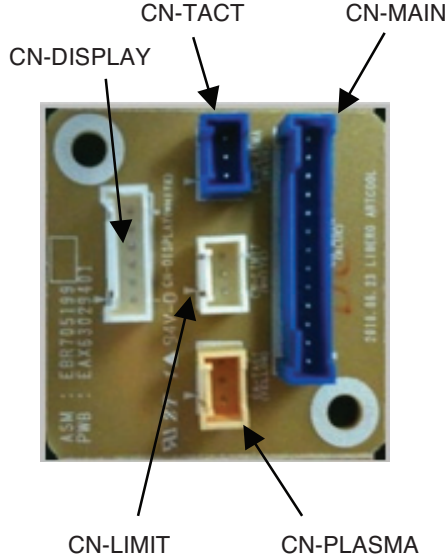
Description	PCB Connector
Thermistor for Indoor Air Temperature	CN-TH1
Thermistor for Evaporator Inlet Temperature	
Thermistor for Evaporator Outlet Temperature	CN-TH2

3. Wiring Diagrams

Indoor Unit

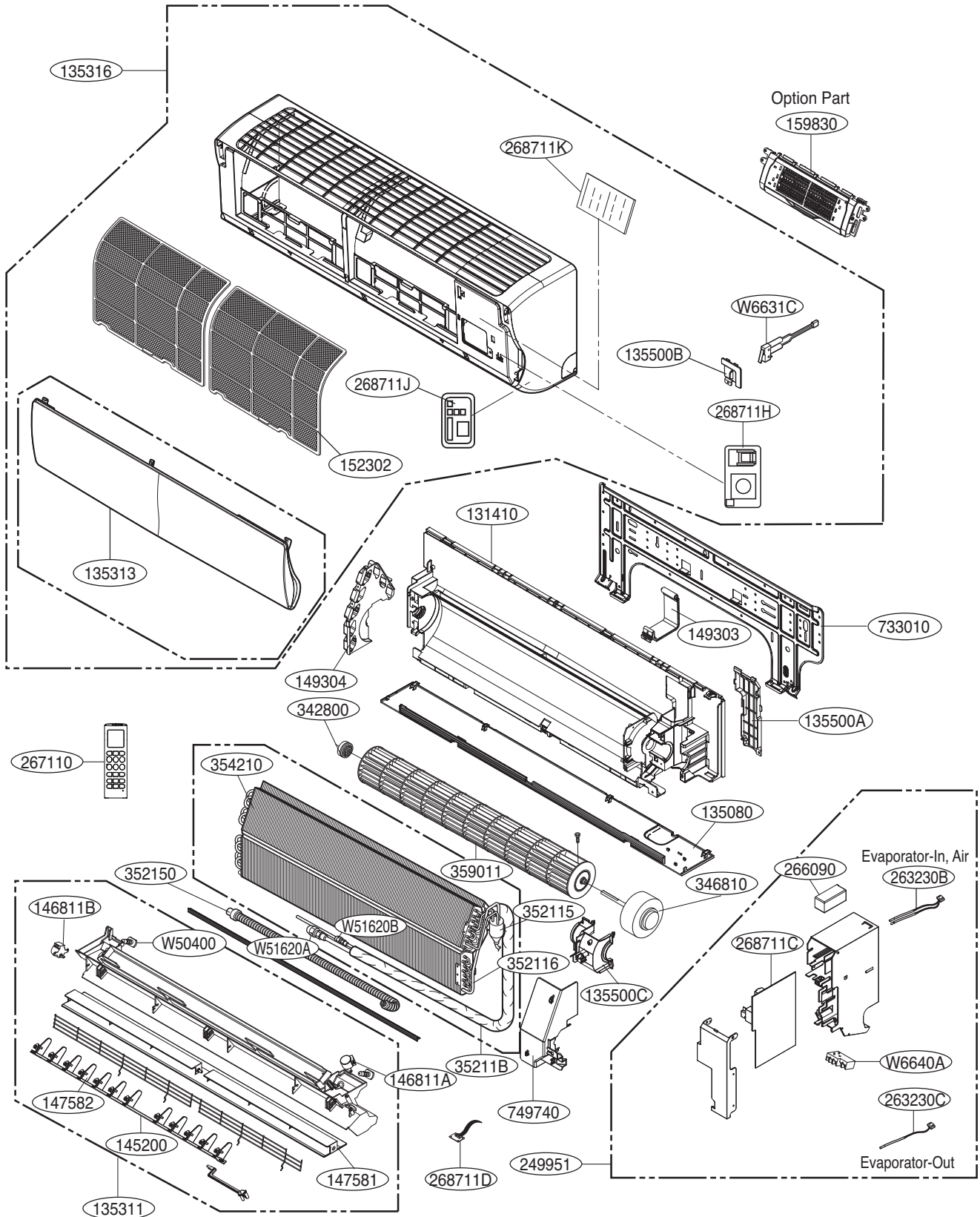


Main PCB



Sub PCB

4. Exploded View





P/NO : MFL67482722

JUNE, 2014