



Internal Use Only

<http://biz.lgservice.com>

Floor Standing Air Conditioner SVC MANUAL(Exploded View)

MODEL : APNH2433LAE[LFN246HV]

CAUTION

Before Servicing the unit, read the safety precautions in General SVC manual.
Only for authorized service personnel.

1. Specifications

Indoor Unit

| Model | | APNH2433LAE | | |
|--|-------------------------------|---------------------------------|------------------------------|--|
| Power Supply | Ø / V / Hz | 1 / 208-230 / 60 | | |
| Cooling Capacity | kW | 7.03 | | |
| | Btu/h | 24000 | | |
| Heating Capacity | kW | 7.6 | | |
| | Btu/h | 26000 | | |
| Current | Nominal Running Current | A | 10.9 | |
| Fan | Motor Type | OBM-4011U1 | | |
| | Fan Type | Turbo Fan | | |
| | Motor Output(W) x No. of Unit | 70x1 | | |
| | Air Flow Rate(H / M / L) | CMM | 20/16.5/13 | |
| | | cfm | 706/583/459 | |
| | External Static Pressure | mmAq | - | |
| Capacitor | µF / Vac | 220/450 | | |
| Coil | Row x Column x FPI | 2R x 30C x 18 | | |
| Dimensions (W x H x D) | Body | mm(inch) | 570x1820x320(22.4x71.6x12.6) | |
| | Decorative Panel | mm(inch) | - | |
| Net Weight | Body | kg (lbs) | 43(94.8) | |
| | Decorative Panel | kg (lbs) | - | |
| Air Filter | | Long life filter | | |
| Sound Level (H / M / L) | | dB(A)+3 | 45/42/40 | |
| Piping Connections | Liquid | mm (inch) | 9.52(3/8) | |
| | Gas | mm (inch) | 15.88(5/8) | |
| Dehumidification Rate | | l/h | - | |
| Safety Devices | | Thermal protector for fan motor | | |
| Temperature Sensor | | Thermistor | | |
| Refrigerant | | R-410A | | |
| Refrigerant Control | | EEV(Outdoor Unit) | | |
| Connectable Outdoor Unit | | LUU245HV | | |
| Power and Transmission Interunit Cable | No. x AWG | 4 x 18 | | |

Note :

- Capacities are based on the following conditions:
 - Cooling - Indoor temperature 27°C(80.6°F)DB/19°C(66.2°F)WB
 - Outdoor temperature 35°C(95°F)DB/ 24°C(75.2°F)WB
 - Heating - Indoor temperature 20°C(68°F)DB/ 15°C(59°F)WB
 - Outdoor temperature 7°C(44.6°F)DB/ 6°C(42.8°F)WB
 - Piping Length - Interconnecting Piping Length 7.5m
 - Level Difference of Zero
- Wiring cable size must comply with the applicable local and national code.
- The specification may be subject to change without prior notice for purpose of improvement.

2. Function Table

Indoor Unit

| Category | Function | APNH2433LAE |
|------------------------|---|-------------|
| Air flow | Air supply outlet | 3 |
| | Airflow direction control(left & right) | O |
| | Airflow direction control(up & down) | O |
| | Auto swing(left & right) | O |
| | Auto swing(up & down) | O |
| | Airflow steps(fan/cool/heat/Plasma) | 3/3/3/1 |
| | Chaos swing | X |
| | Chaos wind(auto wind) | O |
| | Jet cool(Power wind) | O |
| | Swirl wind | X |
| Air purifying | Deodorizing filter | O |
| | Plasma air purifier | O |
| | Prefilter(washable / anti-fungus) | O |
| Installation | Drain pump | X |
| | E.S.P. control | X |
| | Electric heater(operation) | O |
| | High ceiling operation | X |
| Reliability | Hot start | O |
| | Self diagnosis | O |
| | Soft dry operation | O |
| Convenience | Auto changeover | O |
| | Auto cleaning | X |
| | Auto operation(artificial intelligence) | X |
| | Auto restart operation | O |
| | Child lock | O |
| | Forced operation | O |
| | Group control | O |
| | Sleep mode | X |
| | Timer(on/off) | O |
| | Timer(weekly) | X |
| Two thermistor control | O | |
| Individual control | Standard wired remote controller | X |
| | Deluxe wired remote controller | X |
| | Simple wired remote controller | X |
| | Wired remote controller(for hotel use) | X |
| | Wireless remote controller(simple) | X |
| | Wireless LCD remote control | O(New) |
| CAC network function | General central controller (Non LGAP) | X |
| | Dry contact | X |
| | Network Solution(LGAP) | X |
| | PDI(power distribution indicator) | X |
| | PI 485 | X |
| Special function kit | Zone control | X |
| | CTIE | X |
| | Electro thermostat | X |
| Others | Thermistor | X |

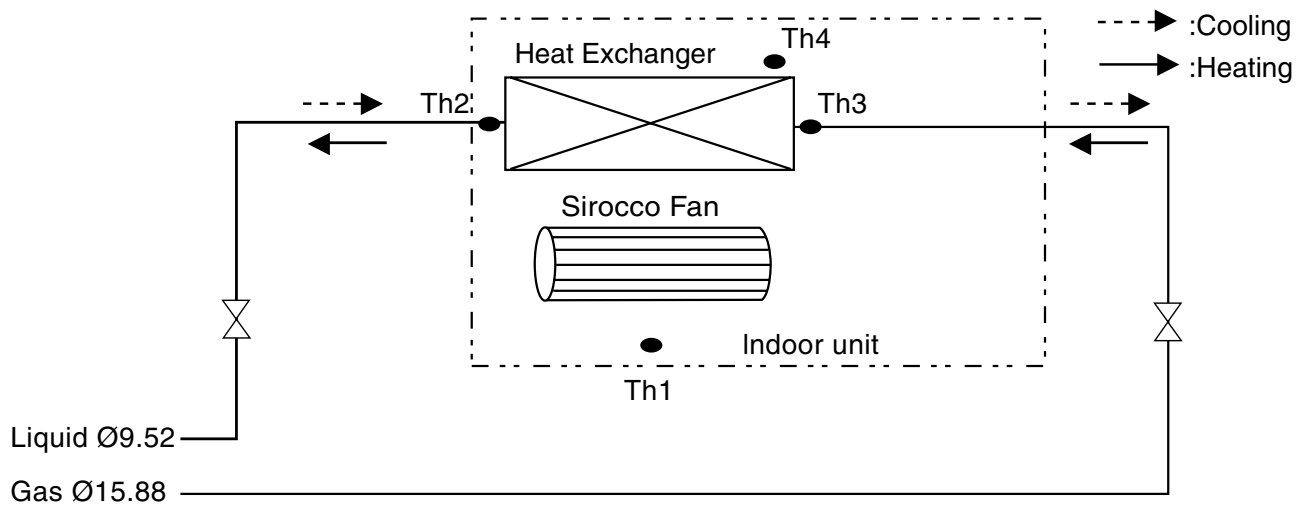
Note:

O : Applied X : Not applied - : No relation

Option : Model name & price are different according to options, and assembled in factory with main unit.

Accessory : Installed at field, ordered and purchased separately by the corresponding model name, supplied with separate package

3. Piping Diagrams

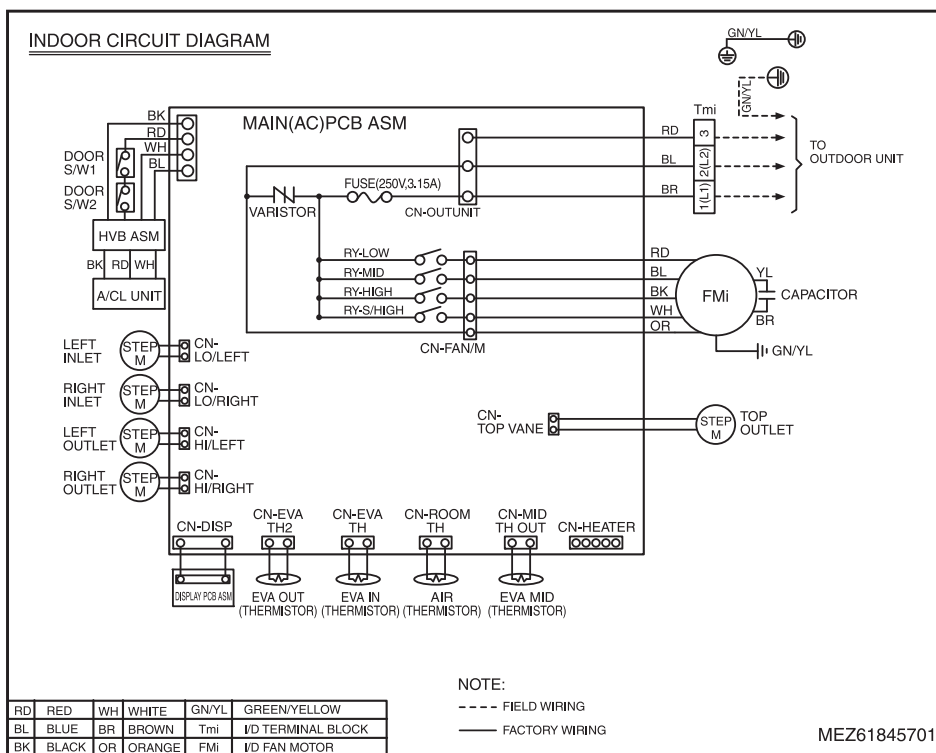


| LOC. | Description | PCB Connector |
|------|---------------------------------------|---------------|
| Th1 | Thermistor for inlet air temperature | CN_ROOM/TH |
| Th2 | Thermistor for EVA. in temperature | CN_EVA/TH |
| Th3 | Thermistor for EVA. out temperature | CN_EVA/TH2 |
| Th4 | Thermistor for EVA middle temperature | CN_GAS |

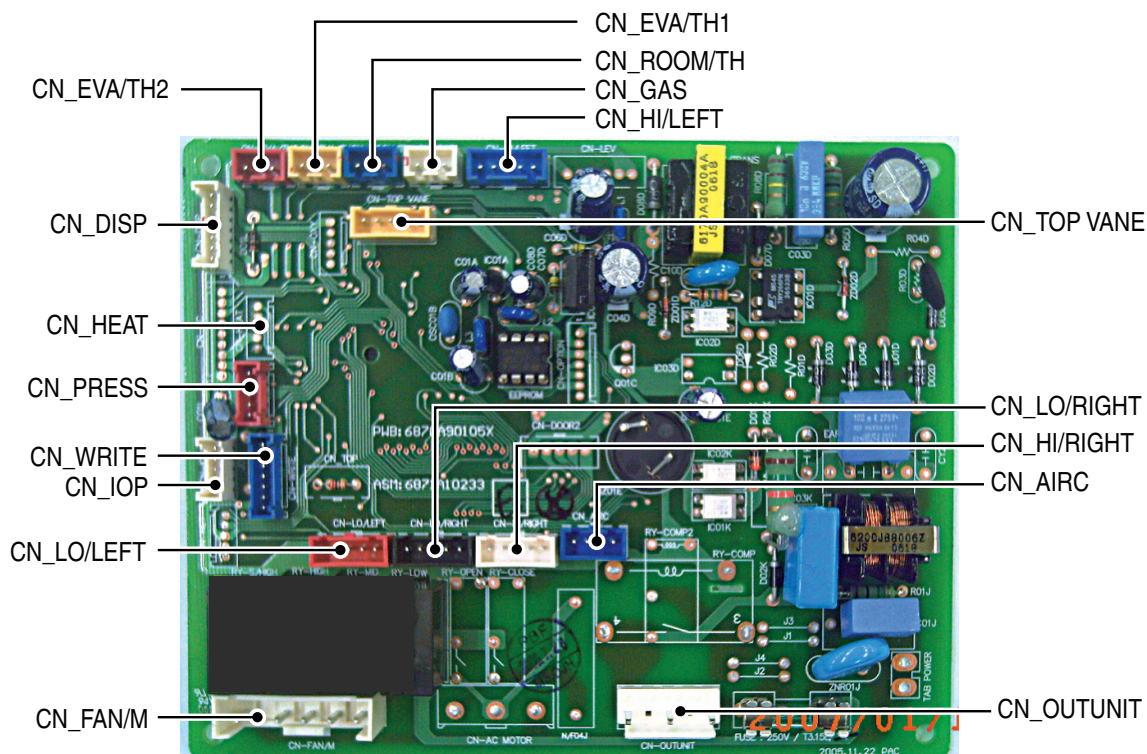
4. Wiring Diagram

Indoor Unit

◆ APNH2433LAE

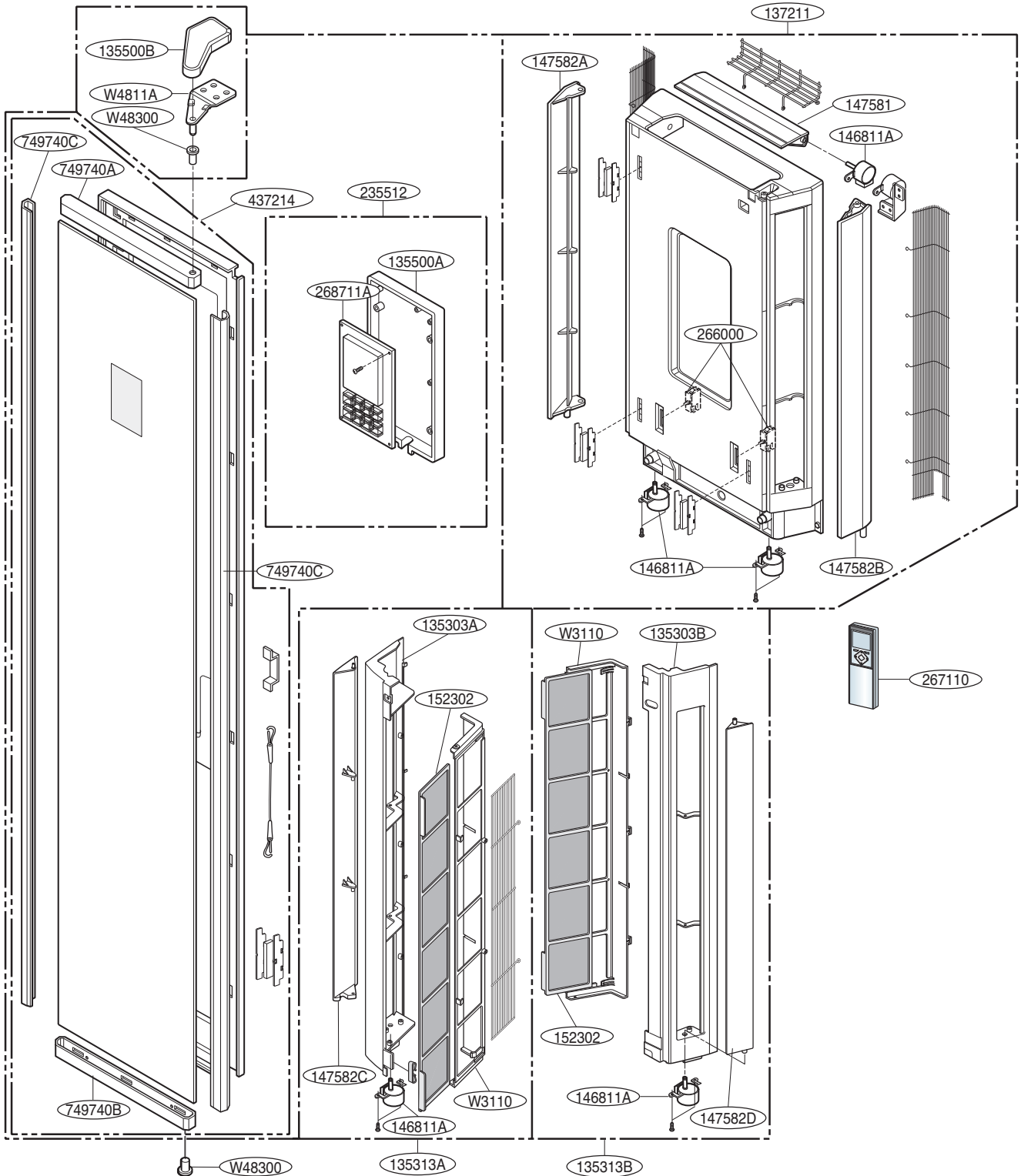


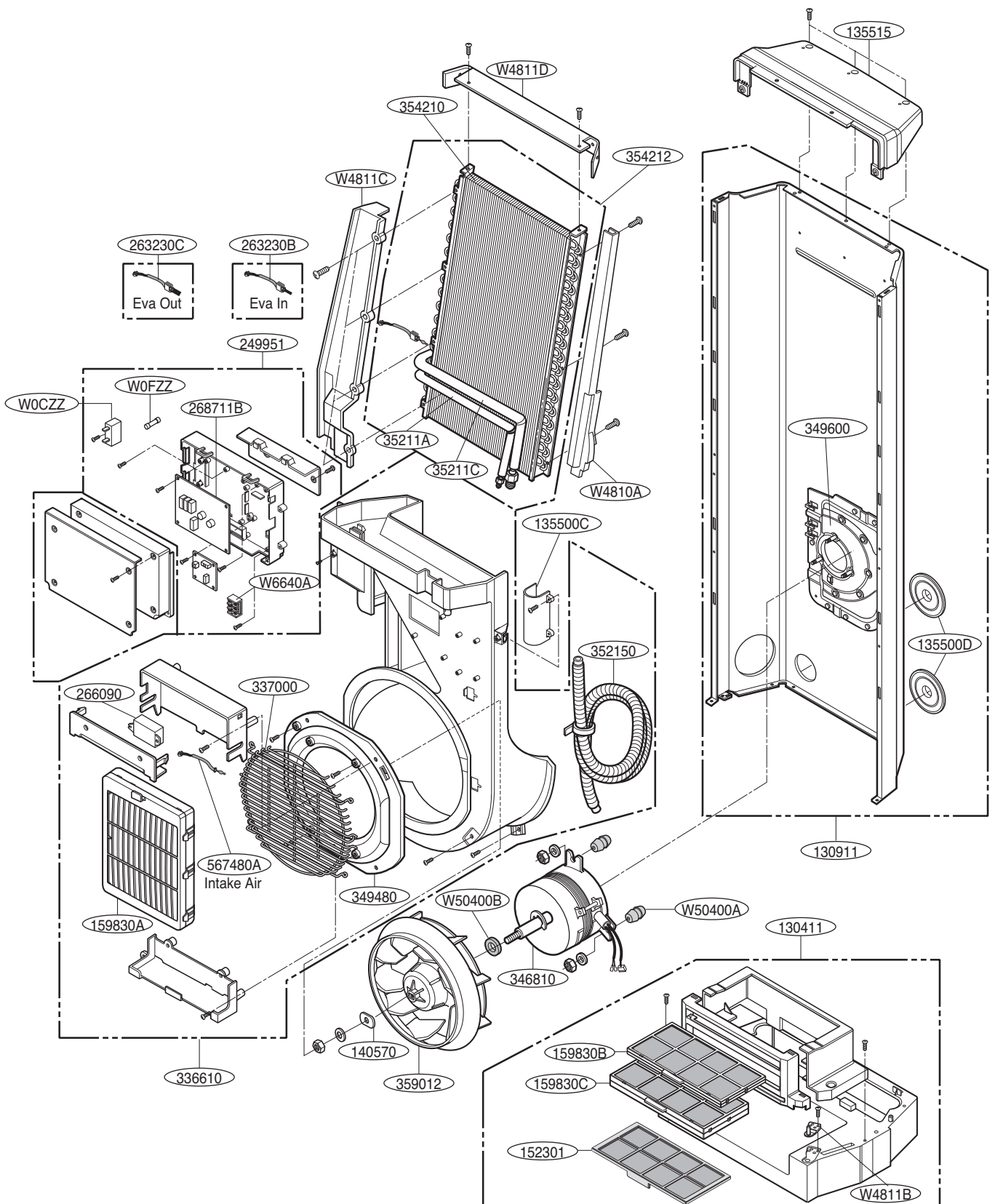
◆ AC PCB



5. Exploded View

Indoor Unit







P/NO : MFL62129310

FEBRUARY, 2010