

This Owner's Manual is provided and hosted by [Appliance Factory Parts](#).



Brisa WH2903 Owner's Manual

[Shop genuine replacement parts for Brisa WH2903](#)



[Find Your Brisa Evaporative Cooler Parts - Select From 32 Models](#)

----- Manual continues below -----

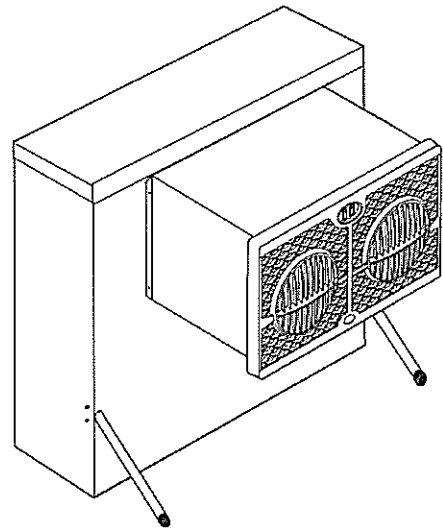
OWNER'S GUIDE

USE AND CARE MANUAL

WINDOW COOLER MODEL
WH2903, HE2911, HE2912

For Customer Assistance
 CALL 1-800-325-6952

DO NOT RETURN TO PLACE OF PURCHASE!



- | | |
|----------------|--------------------|
| * Safety | * Operation |
| * Installation | * Maintenance |
| * Start-up | * Trouble Shooting |

Congratulations: You have purchased a product of superior performance and design, which will give the best service when properly installed, operated and maintained.

This guide will provide you with information needed to mount, operate, inspect, maintain, and troubleshoot your window evaporative air cooler.

The first section, Installation and Start-Up, gives details for installation. The second section, Maintenance, contains operational and maintenance instructions, while Troubleshooting includes information on commonly encountered problems.

INSTALLER: Please deliver this guide to owner.

**READ AND SAVE THESE
 IMPORTANT SAFETY INSTRUCTIONS**

WARNING - TO REDUCE THE RISK OF FIRE, ELECTRIC SHOCK, OR INJURY TO PERSONS, OBSERVE THE FOLLOWING.

- Read all instructions carefully before installation.
- This cooler must be connected to 120 volt AC, 60 Hz (cycle) power only. NOTE: Improper voltage will void the pump and/or motor warranties and may cause serious personal injury or property damage.
- This cooler must be plugged into a GFCI protected receptacle, which has been properly installed in accordance with all local and national codes. If you are not sure that the receptacle is GFCI protected, consult with a qualified electrician.
- This cooler is equipped with a power cord having an equipment grounding conductor and grounding plug. Do not attempt to defeat this safety device by removing the grounding pin.
- Use of an extension cord is not recommended.
- Do not operate if plug or cord is damaged in any way. If the unit is damaged or malfunctions, do not continue to operate it.
- Always disconnect electrical power to unit before attempting to work on or service your cooler.
- Pump water tube has a restricting orifice to assure proper water flow rate to the pad. Do not remove this restrictor!

- Remove the plug from the electrical receptacle by pulling on the plug and not the cord.
- Do not operate this blower (fan) motor with any solid-state speed control device.
- Do not remove pad frame while cooler is running, this may cause the blower (fan) motor to overload and damage the motor windings.

NOTE:

- Do not locate unit near exhaust or vent pipes as odors or fumes may be drawn into cooler.
- Use of anode devices, chemical additives or treatments in this cooler will void the warranty.
- Your warranty does not cover shipping damage. Report all shipping damage at once to dealer or carrier making the delivery.
- For future reference, record the model and serial numbers, date and place of purchase of your evaporative cooler here:

Model # _____

Serial # _____

Date of Purchase: _____

Place of Purchase: _____

INTRODUCTION

This manual is your guide to proper installation procedures along with information about reasonable care and maintenance that will ensure safe, economical and trouble free cooling. Failure to follow these instructions may damage your cooler, impair its operation, create the potential for serious personal injury and/or void the warranty.

Read it carefully.

A Note About Air Exhausting / Maximum Cooling

Since coolers function best when there are plenty of openings for the air to exhaust, you can leave doors or windows open so your house can breathe. To get the maximum capacity of your cooler, and to help keep insects, dust, dirt, etc out of the cooled space, the house should be maintained at a slightly positive air pressure (that is, there should be slightly more air going into the house than is leaving). This is controlled by how much the windows or doors are opened.

How much should you open your windows or doors? You should adjust your openings until the air pressure inside the house is nearly balanced with the air outside. A good method to determine when the air is reasonably balanced is to place a tissue paper against the screen in the window or door farthest from the cooler and adjust the other openings in the house until the tissue paper stays lightly on the screen. You can adjust different windows in the house to direct the most airflow to the areas that are occupied during different times of the day or night (example: living room windows during the daytime, bedroom windows at night.)

INSTALLATION

Carefully read the contents of this manual and review the drawings of the cooler (Fig. 1 & 2) to familiarize yourself with the various parts before beginning the installation process.

CAUTION: Disconnect all electrical power to the cooler before attempting to install, open, or service your cooler.

Even while routinely inspecting or servicing the inside, the cooler can be accidentally started. Keep people and pets away from the cooler and electrical supply when you are working on it. Before opening, servicing or cleaning the unit, unplug the unit from the wall receptacle and take steps to ensure that the cord cannot be plugged back in and the cooler turned on accidentally. Do not plug power cord into the wall receptacle until installation or service work is complete.

Before attempting to install the cooler, confirm that the following preparations have been made:

- This cooler must be plugged into a 120 volt GFCI (Ground Fault Circuit Interrupter) protected receptacle. If you are not sure that the receptacle is GFCI protected, consult with a qualified electrician. This receptacle should be located within 5 feet of the window opening (cooler power cord is 6 feet long, use of extension cords is not recommended).
- Install cooler in a window where only fresh outside air can enter. Avoid installing the cooler in an area where the free air movement around and into the cooler is restricted or locations where obnoxious odors or fumes may be drawn into cooler from vent pipes, kitchen exhausts, etc.
- Verify that the supporting surface is strong enough to bear the weight of the cooler when in use. This unit will weigh approximately 100 pounds when operating at full capacity.
- Verify that the supporting surface is level in all directions.

Mounting the cooler

Installation normally involves locating the unit in a suitable window and using the included chain mounting kit or the construction of a platform or stand to support the weight of the cooler. Since every installation is different, the exact requirements to mount and seal a cooler against the weather will be best determined by the location and at the time of the installation. Most installations will require blocking of the unused portion of the window around the duct, or other modifications to the window frame may be necessary. See illustration (Fig. 2) for a typical installation.

Chain mounting:

- Remove pad frame from cooler.
- Position the cooler so that the duct rests on the window sill and the grille angle flanges are inside the window opening. Using an adjustable wrench, adjust the legs firmly against the wall to level the cooler and to hold it in place.
- Attach the 2 screw hooks to the top of the outside window frame. Attach one end of each chain onto each hook.
- Insert "S" hooks into holes in the top rear corner of the cabinet, using the hooks to pierce the vinyl hole cover (2 places).
- Connect the "S" hooks to the chain so the cooler is level.

Shelf or stand mounting:

- Construct a platform or stand below the window, strong enough to support the weight of the cooler (approximately 100 pounds).
- Make the platform or stand mounting surface so that the height is 11 5/8" below the resting point of the cooler duct on the window sill.
- Remove pad frame assembly from cooler.
- Position the cooler so that the duct rests on the window sill and the grille flanges are inside the window frame. Using an adjustable wrench, adjust the legs firmly against the wall to hold cooler in place. **DO NOT drive nails or screws through bottom pan into mounting surface, this will void the warranty.**

Lower the window to rest on the top of the duct (vertically hung windows) or slide window closed against side of duct (horizontal slider windows). Block any remaining unused portion of the window opening with a suitable blocking material (Plexiglas, solid plastic sheet, solid wood panel, etc.). It will be necessary to seal any joints around the duct to prevent entry of rain, dust/dirt, insects, etc. Any good quality caulking or foam tape will work.

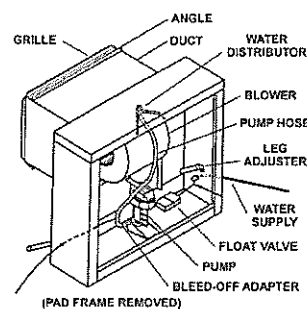


Fig. 1

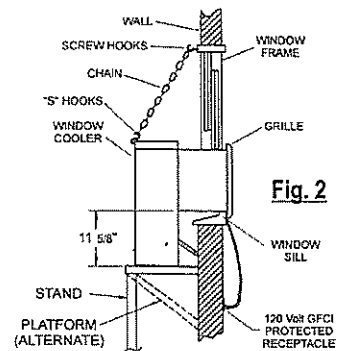


Fig. 2

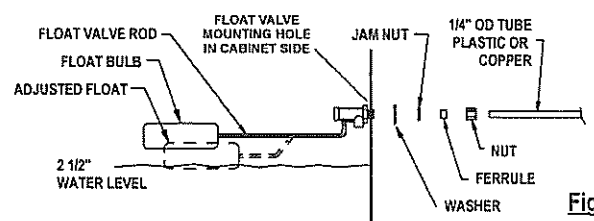


Fig. 3

Connect Water Supply

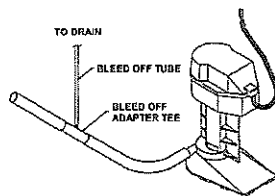
CAUTION: All plumbing installations must comply with local building and safety codes, and must be performed by qualified personnel only.

NOTE: Coolers should not be connected to "soft" water systems. Soft water will accelerate corrosion and decrease the effective life of the pad and the cooler cabinet. Connect water line as follows:

- A water supply valve should be installed at a convenient location, to allow the water supply to be turned on and off for servicing or winterizing. Minimum 1/4" diameter tubing should be used to provide water to the cooler, larger tubing is recommended if the distance from the valve to the cooler is greater than 100 feet, then reduced to 1/4" at the unit.
- Install float valve in the cabinet as shown in Figure 3.
- Connect tubing from water supply to float valve. Place compression nut and ferrule over end of tubing, insert tube into float valve then tighten compression nut to secure.
- Turn on water supply and check for leaks. Adjust float to maintain the water level at 2" to 2 1/2".

Install Bleed-off (Model WH2903 and HE2911)

To minimize mineral scale "build-up", use the included bleed-off assembly. Remove the cap from the bleed-off tee; insert the 1/4" diameter black tubing and route the tubing through the 7/16" hole in the side of the cooler opposite of the float valve. Run bleed-off tubing to a proper drain. To prevent siphoning of the water, make sure that the bleed-off tee is above the water level.



NOTE: Drain water in accordance with local plumbing codes.

Install fitting for drain pump (Model HE2912)

To minimize mineral scale "build-up", model HE2912 window cooler includes an automatically timed drain pump for removing mineral laden water from the cooler pan. It is factory set to operate every 3 hours of unit operation in the "COOL" mode and will run for 6 minutes. Install the drain bushing for the auto-dump drain pump discharge hose in the side of the cooler as follows: (See figure 4)

- Locate drain hose assembly in bottom of cooler and remove lock nut from drain bushing (leave rubber washer in place). Check that the opposite end of the hose is still connected to the drain pump.
- Push drain bushing through hole in side of cooler (opposite of float valve), rotate hose until anti-siphon fitting tube is pointing toward bottom of cooler, then assemble and tighten lock nut.
- Connect a suitable drain line (garden hose, etc) to the drain bushing. Never drain water onto a sidewalk or other hard surfaced area; mineral build-up or a slipping hazard may occur.

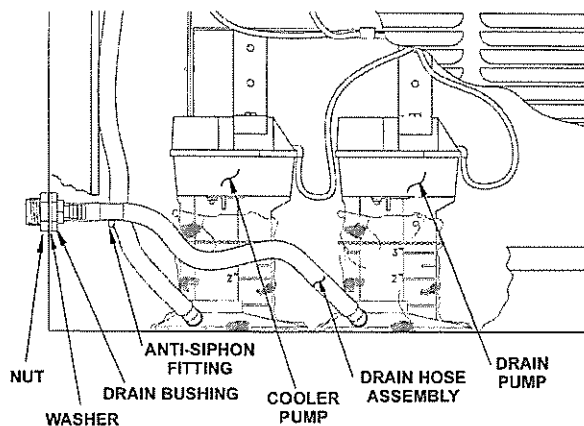


Fig 4

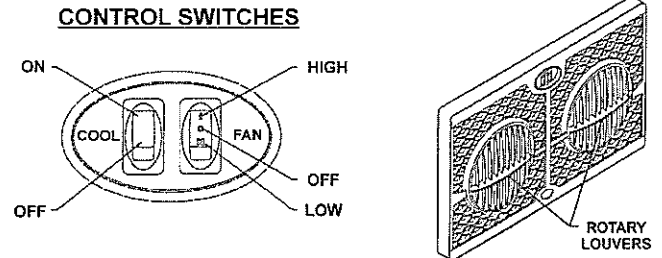
Cooler operation

Controls:

The rocker control switches are used to select the operating mode of the window cooler. These switches control fan speed (HI / OFF / LOW) and the cooling operation (ON / OFF).

Grille airflow control:

Rotate each louver ring until desired air flow direction is reached.



GENERAL INSPECTION

Initial Start-up or Annual Inspection

CAUTION: Disconnect all electrical power to the cooler before attempting to install, open, or service your cooler.

Before start-up of the cooler for the first time, or at the beginning of each cooling season, make sure that all required connections, adjustments, etc. have been made. Verify that:

- ✓ Cooler mounting is level; window duct is sealed.
- ✓ Power supply cord is correctly routed, safe and secure.
- ✓ Bleed-off / drain pump is correctly installed and fully functional.
- ✓ Water line securely connected, turned on, no leaks noted.
- ✓ Float valve is correctly installed, adjusted for proper water level and fully operational.
- ✓ Pump impeller turns free and smooth. If in doubt, remove impeller cover (see "Cleaning Pump").
- ✓ Blower wheel turns freely.

Start-up Check List

CAUTION: Never operate cooler with pad frame removed. This will result in an overloaded condition and may damage the blower motor.

To verify and check out the cooler installation on initial or annual start-up, the following procedure should be followed.

- ✓ Open building exhaust / relief vents (windows, doors, etc.)
- ✓ Plug supply cord into receptacle. Switch "COOL" to "ON".
- ✓ Verify that the pump starts and pad evenly wets.
- ✓ Switch "FAN" to "HIGH", observe that motor starts and runs.
- ✓ Switch to "LOW", observe that motor changes to low speed.

In case of trouble on any of these steps, refer to the Troubleshooting Chart on page 6.

Cabinet Inspection Checklist

After initial start-up and for a few weeks afterwards, check for and/or observe the following: Refer to the Troubleshooting Chart on page 6 if necessary.

- ✓ Leaks from water lines, pad frame, cabinet, etc.
- ✓ Cooler pad: even wetting, no dry streaks.
- ✓ Confirm water level depth setting is correct.
- ✓ Verify full, even flow in water distribution system.
- ✓ Blower wheel rotates freely, no unusual noises.
- ✓ Check motor mounting, cabinet hardware, setscrews on blower wheel are tight.

MAINTENANCE SCHEDULE

Regular maintenance and periodic inspection is the key to long and successful service from your cooler. The cooler should receive major servicing at least once a year, more often if conditions require (dusty environment, constant use, poor water quality, etc.) For maximum cooling efficiency, long life and appearance, every two months during operation, the cooler should be inspected and cleaned.

NOTE: Do Not Undercoat the Water Reservoir

Your cooler's water reservoir is finished with our Peblar XT® appliance-type finish. It is so hard that asphalt-type cooler water pan under-coatings will not stick to it. Undercoating will break free, clogging the pump and water distribution system.

NOTE: Do not use cooler cleaners, cooler treatments, anodes or other chemical additives in this evaporative cooler. Use of any additives or water treatment other than the furnished bleed-off will void your warranty and may impair the life of the cooler.

Before starting any maintenance operation, thoroughly read all operating and maintenance instructions and observe all cautions and warnings.

Cleaning

CAUTION: Never wash your cooler cabinet with a garden hose; water may harm motor and pump or seep inside the house through the window duct. Motors damaged by water are NOT covered under warranty.

All foreign materials, mineral scale, hard water deposits, dirt, etc. should be removed from pad frame, water pan and other components. Your cooler's long lasting finish can be brought to like-new condition by using warm water and a soft cloth.

NOTE: Avoid using scouring pads, steel wool or wire brushes, as these will damage the finish and encourage corrosion.

Maintenance & Inspection

IMPORTANT: Before operating cooler at the beginning of each cooling season, turn blower wheel and pump motor shaft by hand to make sure they turn freely. Failure to do so may result in burning out motor.

For maximum efficiency, every two months during operation, or any time the cooler is opened, the cooler should be inspected. Some suggested items to look for:

- ✓ Check for leaks from pad frames, cabinet, etc.
- ✓ Any dry spots or streaks on pads when pump is operating?
- ✓ Are the bearings, etc., making any unusual noises?
- ✓ Does the blower wheel turn freely?
- ✓ Is float level set correctly?

Draining

Drain the cooler for cleaning or at the end of the season as follows:

- Push "COOL" and "FAN" switches to the "OFF" position. Turn off water supply to cooler.
- Remove the pad frame assembly and disconnect the pump hose from the water distributor (located at the inside top of the cooler). Place end of hose outside of unit for draining, keeping in mind the amount of water to be discharged.
- Turn cooler pump on by pushing "COOL" switch to the "ON" position, pumping water out of cooler pan. Switch pump "OFF" when no more water can be pumped out. Unplug cooler power supply cord from wall receptacle.
- Remove any remaining water with a sponge or rag.
- Replace pump hose on water distributor, reinstall pad frame assembly into cooler.

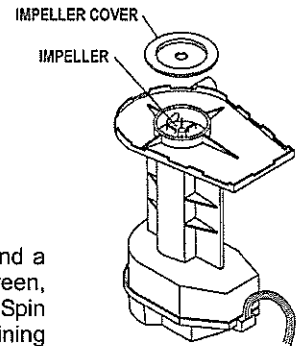
Cleaning Water Pump & Hose

CAUTION: Disconnect all electrical power to the cooler before attempting to install, open, or service your cooler.

CAUTION: Do not allow pump to fall over and become submerged; water will damage pump motor.

Clean water pump and hose assembly as follows:

- Unplug power supply cord from wall receptacle, remove pump mounting bracket screw and gently lift pump from cooler. Shake gently to remove water.
- To prevent breakage, carefully release the snap-out impeller cover plate and remove cover plate from the pump body.
- Using a mild detergent solution and a soft cloth, clean deposits from screen, around impeller and cover plate. Spin impeller to dislodge any remaining foreign material.
- Remove any foreign material in the hose adapter (between the pump and hose), or between the hose and the water distributor assembly.
- Rinse and reinstall impeller cover plate.
- Reinstall pump and reconnect power cord.



Touch-Up

The hardness, adhesion and smoothness of the internal and external finish on your cooler makes it extremely unlikely that scratches or chipping will occur. In the event that finish damage does occur, it should be promptly repaired by the following procedures:

1. Sand the area around bare metal spots.
2. Prime and paint with a quality paint.

Do not use asphalt type cooler undercoat material in water reservoir. Undercoat will break free, clogging the pump and water distributor.

Lubrication

Blower Motor and Pump Motor Bearings

The blower and pump motor bearings do not require lubrication.

Grille Cover

Models HE2911 & HE2912 are supplied with a grille cover. This cover is used during periods of non-use or for winterizing your cooler.

Flexible tabs on each side hold the cover in place over grille. Pull side tabs out and forward to install or to remove cover from grille.

Winter Shut Down

- Always drain all of the water out of the cooler and water supply line when not in use for prolonged periods, and particularly at the end of the season. Keep the water line disconnected from both the cooler and the water supply so it does not freeze.

- Disconnect power from cooler during extended periods of non-use.

REPLACEMENT PARTS

When ordering replacement parts, always refer to the serial and model number of your cooler. Use the part numbers listed in the accompanying parts list, as illustrated in the diagram for your model.

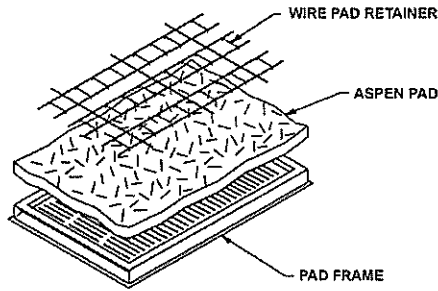
Changing Cooler Pad (Model WH2903)

CAUTION: Disconnect all electrical power to the cooler before attempting to install, open, or service your cooler.

Your cooler pad should be changed at least twice a year... at the beginning of and midway through a season. However, your pad may need to be changed more frequently, depending on local air and water conditions. For instance, in areas where mineral content of the water is high, deposits may build up in the cooler pad, restricting airflow.

Replace pad as follows:

- Remove pad frame assembly from cabinet.
- Remove pad retainer from frame, using caution as retainer can spring back. Carefully remove all aspen from pad frame. Remove and discard old pad.



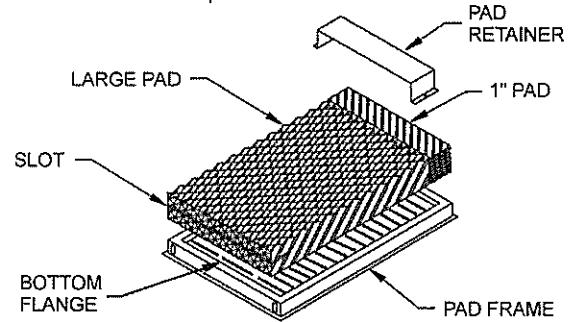
- Using a mild detergent, wash dirt and scale from pad frame and rinse with fresh water. Wire brushing is not recommended. If finish is damaged or rusting is noted, repair area as noted in the "Touch-Up" section.
- Lay new pad in frame, starting at trough end, making sure pad is snug against trough and outer edges with no air spaces. Pad must completely fill frame (no gaps) or hot air may enter building.
- Pad thickness should be uniform across the frame.
- Replace pad retainer and lock under edge of frame. Sharp points must be buried into pad (they hold pad in place and prevent sagging).
- Pre-soak pad and check for air gaps along edges, reinstall pad frame assembly into unit.

Changing Cooler Pad (Models HE2911 & HE2912)

CAUTION: Disconnect all electrical power to the cooler before attempting to install, open, or service your cooler.

The condition of your cooler pad should be checked at least once a year; at the beginning of the season is best. However, your pad may need to be checked more frequently, depending on local air and water conditions. For instance, in areas where mineral content of the water is high or the air is dusty, deposits may build up in the cooler pad, restricting airflow. Clean or replace pad as follows:

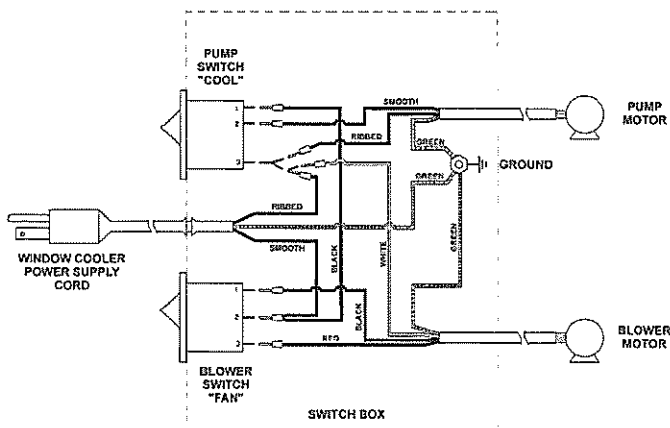
- Remove pad frame assembly from cabinet.
- Lay pad frame on smooth, flat surface with pad retainer up. Observe the location / placement of the pad retainer. Remove retainer by sliding it out from under the pad frame flange. Carefully remove and discard old pad.



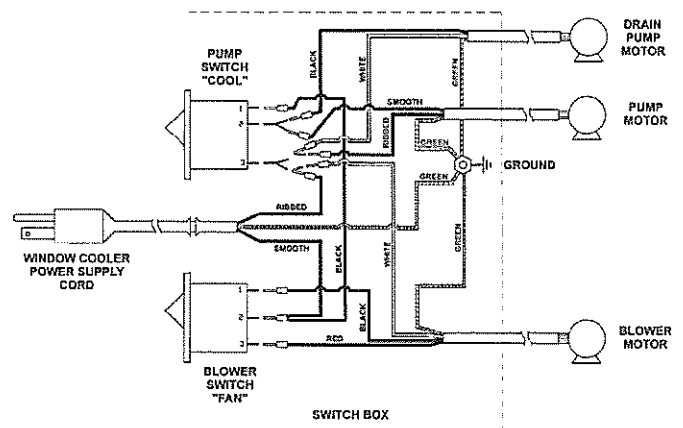
- Using a mild detergent, wash dirt and scale from pad frame and rinse with fresh water. Check slots at top of pad frame to be sure they are open and clear. Wire brushing is not recommended. If finish is damaged or rusting is noted, repair area as noted in the "Touch-Up" section.
- Place the slot in the end of the new pad over the bottom flange of the pad frame and push the pad down against the flange until it stops. Gently push the top of the pad into the pad frame. Slide the 1" thick pad on top of the large pad already in place. Replace the pad retainer by sliding the retainer under the pad frame flanges.
- Pre-soak pad (this will help with the wetting of the pad on start-up). Reinstall pad frame assembly into unit.

WIRING DIAGRAM

MODEL WH2903 and HE2911



MODEL HE2912



TROUBLESHOOTING GUIDE:

Should an obvious problem occur with your cooler consult the following table. If you cannot correct the problem, or if it persists, contact qualified service personnel.

PROBLEM / SYMPTOM	POSSIBLE CAUSE	CORRECTIVE ACTION
Water draining from unit	Float valve out of adjustment	Adjust float to 2 1/2" water depth
	Float movement obstructed	Free float from obstruction
	Non-functional float valve	Replace float assembly
Dry pads	Pump intake clogged	Remove obstruction
	Non-functional water pump	Replace water pump
	Clogged water line	Locate and free obstruction
	Pad trough clogged	Clear debris from trough
	Non-functional switch	Replace switch
	Non-functional wiring	Repair or replace non-functional wiring
Motor does not start or no air delivery	Water turned off to cooler	Turn on water supply
	Electrical power disconnected	Check power receptacle and cord
	Circuit breaker tripped or fuse blown	Determine cause and correct
	Non-functional motor	Replace motor
	Non-functional switch	Replace switch
Inadequate air delivery	Insufficient air exhaust	Open windows to increase air flow
	Blower wheel loose on motor shaft	Tighten wheel set screw
	Pads clogged	Replace pads
Motor cycles on & off	Low voltage	Check voltage
	Motor shaft tight or frozen	Replace motor
	Non-functional motor	Replace motor
Noisy operation	Blower rubbing on housing	Reposition wheel
	Motor or blower mounting screws loose	Tighten screws
Excessive humidity in house	Inadequate exhaust	Open doors and windows to increase ventilation