



MODEL# GPC2700JE

**WARNING:**

Improper installation, adjustment, alteration, service or maintenance can cause injury or property damage. Read the installation, operation and maintenance instructions thoroughly before installing or servicing this equipment.

**DANGER:**

Failure to follow these instructions could result in fire or explosion that could cause property damage, personal injury or death.

**DANGER:**

DO NOT use gas grill for indoor cooking or heating. TOXIC fumes can accumulate and cause asphyxiation. DO NOT use in or on boats or recreational vehicles.

**PROP 65 WARNING:**

Chemicals known to the state of California to cause cancer, birth defects or other reproductive harm are created by the combustion of propane.



**WARNING:**  
**FOR YOUR SAFETY:**

For Outdoor Use Only  
(outside any enclosure)



SAVE THESE INSTRUCTIONS FOR FUTURE REFERENCE.  
IF YOU ARE ASSEMBLING THIS UNIT FOR SOMEONE ELSE,  
GIVE THIS MANUAL TO HIM OR HER TO SAVE FOR FUTURE  
REFERENCE.

FOR CUSTOMER SERVICE, EMAIL TO  
[SERVICE@BBQTEK.COM](mailto:SERVICE@BBQTEK.COM) OR

CALL 1-877-885-8227 (TOLL-FREE), 7:00 A.M. – 4:00 P.M.  
(PST), MONDAY-FRIDAY.



**Service Center: 1-877-885-8227**

# Grill Operation 1-2-3

## **Before Grilling**

- Step 1 Keep your grill a safe distance away from your property.
- Step 2 Always perform a leak test on all connections and hoses.
- Step 3 Keep children away from the grill.

## **During Grilling**

(To avoid tripping safety valves, please follow these instructions carefully!)

- Step 1 First open lid and turn gas tank on slowly.
- Step 2 Turn only one knob on at a time when lighting up the grill.
- Step 3 Use protective gloves when grill gets hot.
- Step 4 Never leave a lit grill unattended.

## **After Grilling**

- Step 1 Always burn grill for 10-15 minutes to burn off food residues after use.
- Step 2 Wait until the grill is completely cooled before closing lid.
- Step 3 Clean up grease build-up to avoid grease fire and cover your grill to prevent rust.



### **WARNING:**

1. Do not store or use gasoline or other flammable liquids or vapor in the vicinity of this or any other appliance.
2. An LP cylinder not connected for use shall not be stored in the vicinity of this or any other appliance.



### **DANGER:**

If you smell gas:

1. Shut off gas to the appliance.
2. Extinguish any open flame.
3. Open lid.
4. If odor continues, keep away from the appliance and immediately call your gas supplier or your fire department.

Always read and understand the **WARNINGS** and **INSTRUCTIONS** that are contained in this manual before attempting to use this gas barbecue grill to prevent possible bodily injury or property damage.

**NOTE:** This grill must be used with propane gas only (propane gas cylinder not included).

**Installer:** Leave this manual with the consumer.

**Consumer:** Retain this manual for future reference.

# Table of Contents

<b>For Your Safety .....</b>	<b>3</b>
<b>Package Contents .....</b>	<b>5</b>
<b>Hardware Contents .....</b>	<b>6</b>
<b>Assembly Instructions.....</b>	<b>7</b>
<b>Operating Your Grill.....</b>	<b>14</b>
<b>Connecting &amp; Disconnecting The Gas Cylinder.....</b>	<b>14</b>
<b>Checking for Leaks.....</b>	<b>15</b>
<b>Lighting Your Grill.....</b>	<b>15</b>
<b>Excess Flow Safety Valve Reset Procedure .....</b>	<b>17</b>
<b>Care and Maintenance .....</b>	<b>18</b>
<b>Troubleshooting .....</b>	<b>19</b>
<b>Warranty Program.....</b>	<b>20</b>

# For Your Safety

Dear Valued Customer,

Congratulations on your new barbecue grill purchase! You've made the right choice. In this manual, you will find assembly instructions, suggestions for grilling and helpful hints, as well as guidelines for the safe operation, proper care and use of your grill. Our expert staff strives to provide you with an easy-to-assemble product. Should you have any questions or problems with this product, please call our customer service department at 1-877-885-8227, 7:00 am – 4:00 pm (PST), Monday through Friday.

**NOTE:** The use and installation of this product must conform to local codes. In the absence of local codes, use the National Fuel Gas Code, ANSI Z223.1/ NFPA54. Reference to Natural Gas and Propane Installation code CSA B149.1 or Propane Storage and Handling code B149.2

**IMPORTANT NOTICE: READ ALL INSTRUCTIONS PRIOR TO ASSEMBLY AND USE.**

## Safety First!

**Read and understand all warnings and precautions prior to operating your grill.**



### WARNING:

1. This grill is for outside use only. It should not be used in a building, garage or any other enclosed area.
2. The use of alcohol, prescription or non-prescription drugs may impair an individual's ability to properly assemble or safely operate this appliance.
3. Always open the grill lid carefully and slowly as heat and steam trapped within the grill could cause severe burns.
4. Always place your grill on a hard and level surface far away from combustible materials and structures. An asphalt or blacktop surface may not be acceptable for this purpose.
5. Do not leave a lit grill unattended.
6. Keep children and pets away from the grill at all times.
7. This is not a tabletop grill. Do not place this grill on any type of tabletop surface.
8. Do not use the grill in high winds.
9. This grill must be used with propane gas only (propane gas cylinder not included).
10. Do not attempt to attach this grill to the self-contained propane system of a camper, trailer, motor home or house.
11. Do not use charcoal or lighter fluid.
12. Do not use gasoline, kerosene or alcohol for lighting. The LP-gas supply cylinder must be constructed and marked in accordance with the specifications for propane gas cylinders of the U.S. Department of Transportation (DOT) CFR 49.
13. This outdoor gas appliance is not intended to be installed in or on recreation vehicles and/or boats.
14. Do not attempt to move the grill while it is lit.
15. Do not use the grill unless it is **COMPLETELY** assembled and all parts are securely fastened and tightened.
16. Keep combustible items and surfaces at least 50 inches away from the grill at all times. **DO NOT** use this gas grill or any gas product under any overhead enclosure or near any unprotected combustible constructions.
17. Do not use in an explosive atmosphere. Keep grill area clear and free from combustible materials, gasoline and other flammable vapors and liquids.
18. Do not attempt to use or assemble with missing or damaged parts. Contact customer service for replacement part.



### CAUTION-Prevention of Burns

1. To avoid burns, do not touch metal parts of the grill until they have completely cooled for at least 45 minutes or unless you are wearing protective gear such as pot holders, protective gloves or mittens.
2. Do not alter the grill in any manner.
3. Clean and inspect the hose before each use. If there is evidence of abrasion, wear, cuts or leaks, the hose must be replaced prior to operation. The replacement hose assembly should be in accordance with the manufacturer's specifications.
4. Move gas hoses as far away as possible from hot surfaces and dripping hot grease.
5. Never keep a filled gas container in a hot car or car trunk. Heat will cause the gas pressure to increase, which could open the relief valve and allow gas to escape.

### Safe Locations For Use Of This Outdoor Grill



### DANGER:

Never use this outdoor grill inside any building, garage, shed or breezeway, or inside any boat, trailer or recreational vehicle to prevent a possible fire and to prevent the possibility of carbon monoxide poisoning or asphyxiation.



## WARNING:

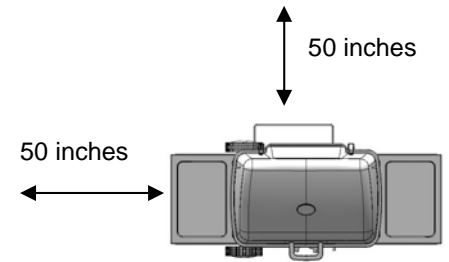
Do not use this appliance under overhead combustible surface or covered area (e.g., awnings, umbrellas, porches or gazeboes).

Always confirm that this grill is not positioned under the overhang of a house, a garage or other structure before lighting it. An overhang will serve to deflect flare-ups and radiated heat into the structure itself, which could result in a fire.

Always confirm that this grill is positioned more than 50 inches (127cm) away from any building or combustible materials or surface before lighting it, and that no gasoline or other volatile substances are stored in the vicinity of this grill.

(See diagram to right). The temperature of a grease fire or of the radiated heat might otherwise be sufficient to ignite nearby combustible or volatile substances. Always locate this grill where there will be ample combustion and ventilation air, but never position it in the direct path of a strong wind.

Never allow the grill to operate while unattended to prevent uncontrolled grease fires from erupting.



Never attempt to move this grill while it is in operation or while it is still hot to prevent possible personal injury.

Never store or use gasoline or other flammable or volatile substances in the vicinity of this grill or in the vicinity of any other heat-generating appliance because of the danger of starting a fire.

Always confirm that the installation of this grill conforms with the requirements of all local codes or, in the absence of applicable local codes, with either the National Fuel Gas Code, ANSI Z223. NFPA 54 or CAN/CGA-B149.2.



## DANGER – Gas Safety

Liquefied propane (LP) gas is flammable and hazardous if handled improperly. Become aware of its characteristics before using any propane product.

- Propane Characteristics: Flammable, explosive under pressure, heavier than air and settles in pools in low areas.
- In its natural state, propane has no odor. For your safety, an odorant has been added.
- Contact with propane could burn to the skin.
- This grill is shipped from the factory for propane gas use only.
- Never use a propane cylinder with a damaged body, valve, collar or footing.
- Dented or rusted propane cylinders may be hazardous and should be checked by your propane gas supplier.



## CAUTION:

- It is essential to keep the grill's valve compartment, burners and circulating air passages clean.
- Inspect the grill before each use.

Step 1. Inspect all hoses and connections and make certain they are secure.

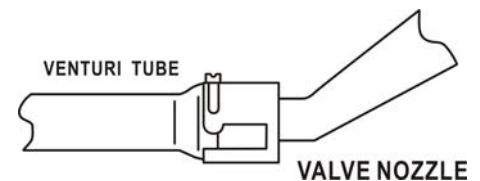
Step 2. Check and clean the burner venturi tubes for insects and insect nests by removing the burner and inserting a bottle brush cleaner into each tube to make sure the passage is clear.

\*\*\* A clogged tube can lead to a fire beneath the grill. \*\*\*

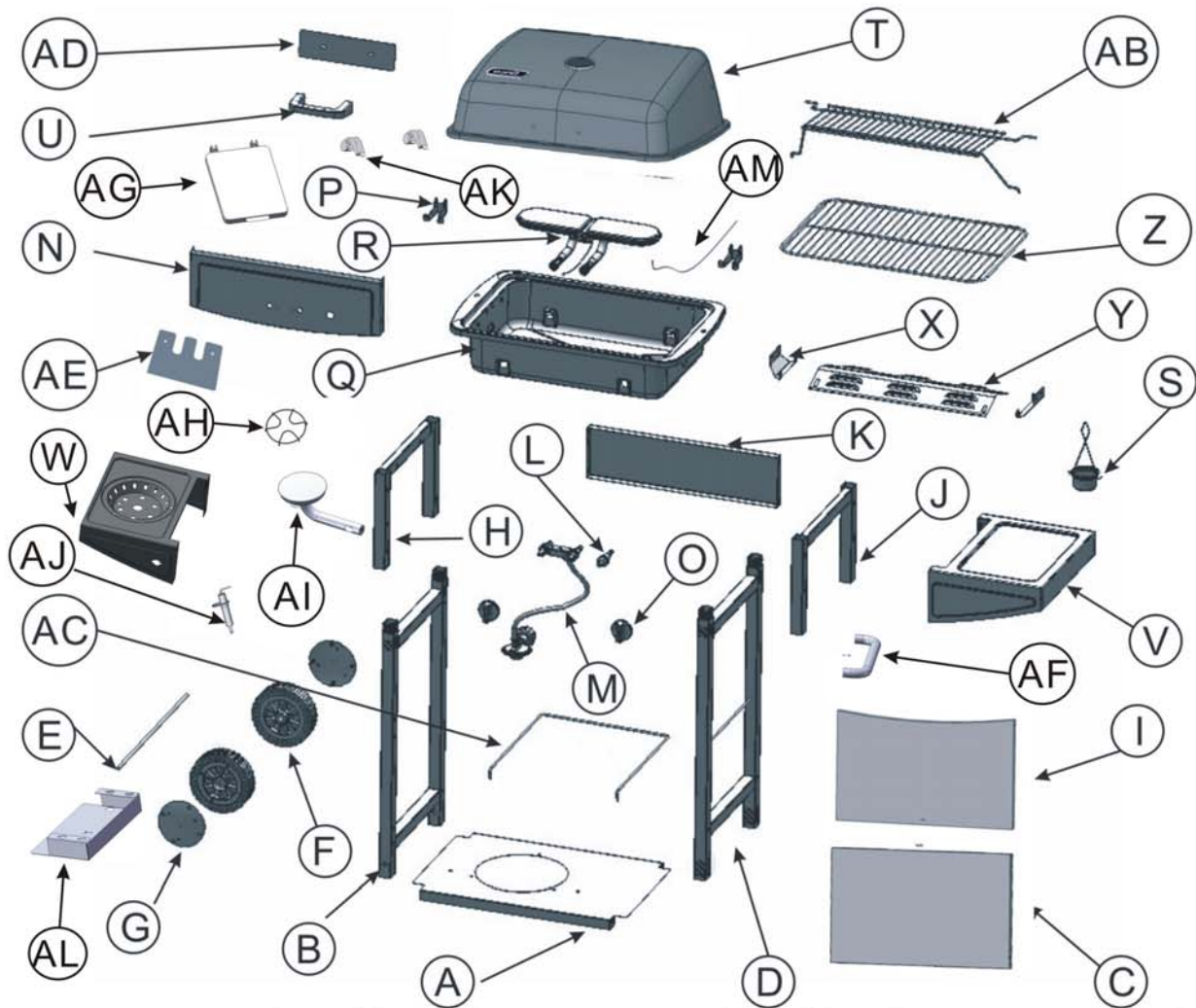
Step 3. Ensure that the valve nozzle is pointing straight and completely inserted into the venturi tube.

## General Information

1. A propane gas cylinder is required for operation.
2. This gas grill is NOT intended for commercial use.
3. Don't obstruct the ventilation opening of the cylinder enclosure.



# Package Contents

























Part	Description	Qty
A	Bottom plate	1pc
B	Left Bottom Frame	1pc
C	Front Bottom Panel	1pc
D	Right Bottom Frame	1pc
E	Axle	1pc
F	Wheel	2pcs
G	Wheel Cap	2pcs
H	Left Upper Frame	1pc
I	Front Upper Panel	1pc
J	Right Upper Frame	1pc
K	Back Panel	1pc
L	Ignitor	1pc

Part	Description	Qty
M	Regulator & Valve Set	1pc
N	Control Panel	1pc
O	Konb	3pcs
P	Body Hinge	2pcs
Q	Firebox	1pc
R	Main Burner	1pc
S	Grease Cup	1pc
T	Lid	1pc
U	Lid Handle	1pc
V	Right Side Shelf	1pc
W	Left Side Shelf	1pc
X	Plate Support	2pcs
AM	Ignition Cable	1pc

Part	Description	Qty
Y	Heating Plate	1pc
Z	Cooking Grate	1pc
AB	Warming Rack	1pc
AC	Tank Clip	1pc
AD	Lid Heat Insulator	1pc
AE	Heat Insulator	1pc
AF	Side Shelf Handle	1pc
AG	Side Burner Lid	1pc
AH	Side Burner Grate	1pc
AI	Side Burner	1pc
AJ	Side Burner Electrode	1pc
AK	Hinge	2pcs
AL	Baffle	1pc

# Hardware Contents

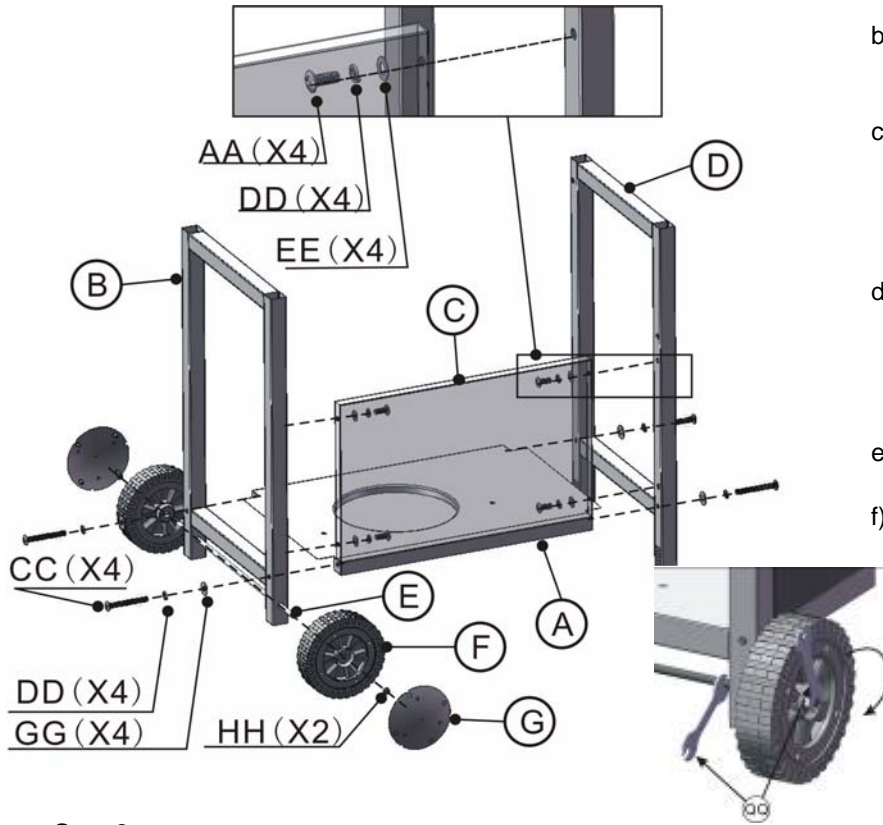
<b>AA</b>		Bolt M6 x 15	<u>24pcs</u>	<b>LL</b>		Black Heat Insulation Washer 5mm	<u>8pcs</u>
<b>BB</b>		Bolt M6 x 10	<u>2pcs</u>	<b>MM</b>		Wing Nut M5	<u>8pcs</u>
<b>CC</b>		Bolt M6 x 50	<u>4pcs</u>	<b>NN</b>		Heat Insulation Washer 6mm	<u>2pcs</u>
<b>DD</b>		Lock Washer M6	<u>30pcs</u>	<b>OO</b>		Hair Pin	<u>2pcs</u>
<b>EE</b>		Flat Washer M6	<u>24pcs</u>	<b>PP</b>		Pin	<u>2pcs</u>
<b>FF</b>		Bolt M5 x 10	<u>4pcs</u>	<b>QQ</b>		Wrench	<u>2pcs</u>
<b>GG</b>		Flat Washer M6	<u>6pcs</u>	<b>RR</b>		Screwdriver	<u>1pc</u>
<b>HH</b>		Wheel Nut	<u>2pcs</u>	<b>SS</b>		Nut M4	<u>5pcs</u>
<b>II</b>		Bolt M5 x 10	<u>6pcs</u>	<b>TT</b>		Bolt M4 x 12	<u>9pcs</u>
<b>JJ</b>		Lock Washer M5	<u>8pcs</u>	<b>UU</b>		Flat Washer M4	<u>7pcs</u>
<b>KK</b>		Flat Washer M5	<u>8pcs</u>	<b>VV</b>		Lock Washer M4	<u>7pcs</u>

Hardware listed above is not scaled to exact size.  
 (A screwdriver is required on assembly and is included for your convenience).

# Assembly Instructions

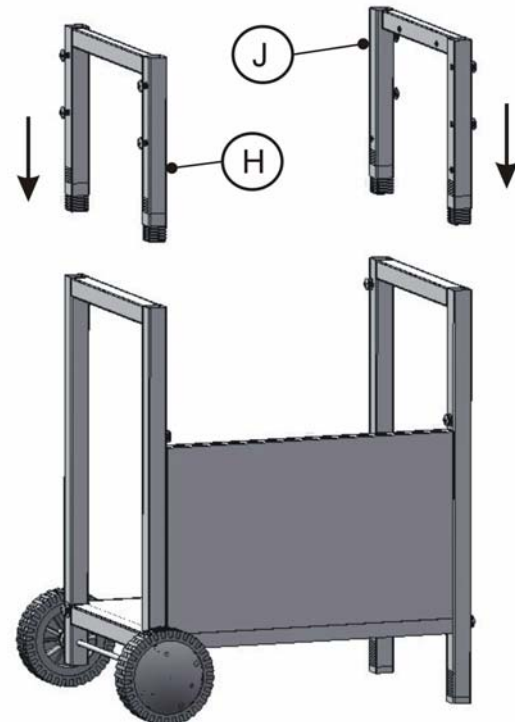
Remove all contents from the carton packaging. Make sure all parts are present before attempting assembly. Once the grill is fully assembled, go back and check to make certain all the bolts are secure. Tighten again using the screwdriver provided if necessary.

Estimated assembly time: 30 minutes.



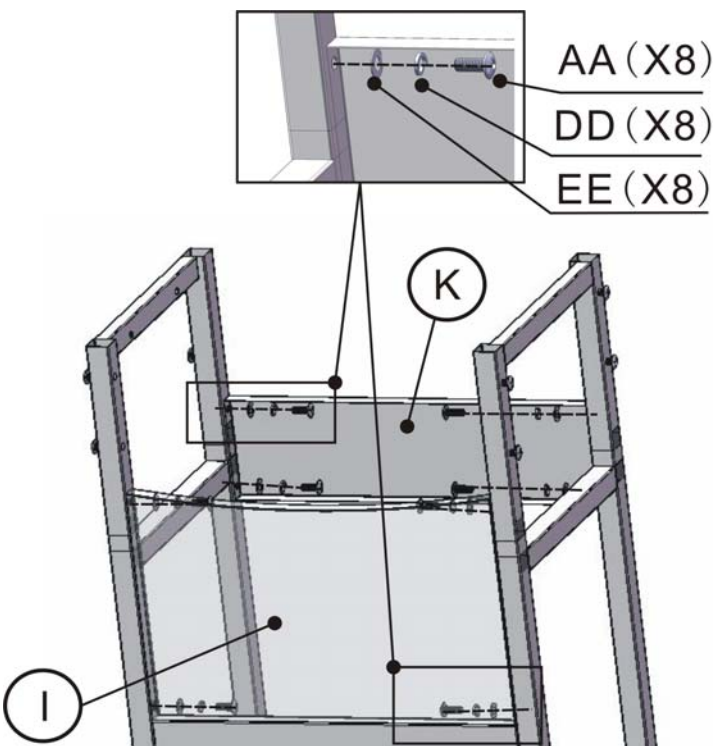
## Step 1

- a) Align the holes on the bottom panel (A) with the holes on the left bottom frame (B) and right bottom frame (D).
- b) Screw a bolt (CC) along with a lock washer (DD) and a flat washer (GG) into each pre-drilled hole. Tighten by screwdriver until secure.
- c) Align the holes on the front bottom front panel (C) with the holes on the left bottom frame (B) and the right bottom frame (D). Screw a bolt (AA) along with a lock washer (DD) and a flat washer (EE) into each pre-drilled hole. Tighten by screwdriver until secure.
- d) Align the hole on one of the wheels (F) with the hole on the left lower frame (B), insert the wheel axle (E) into the hole. Tighten the shaft using provided wrench (HH) then seal the wheel with a wheel nut (HH). Secure the nut using the provided wrench (HH).
- e) Repeat the same procedure with the other wheel and the back side of the left lower frame
- f) Cover each wheel with a wheel cap (G).



## Step 2

- a) Insert the feet of the right upper frame (J) into the hole on the right lower frame.
- b) Insert the feet of the left upper frame (H) into the hole on the left lower frame.



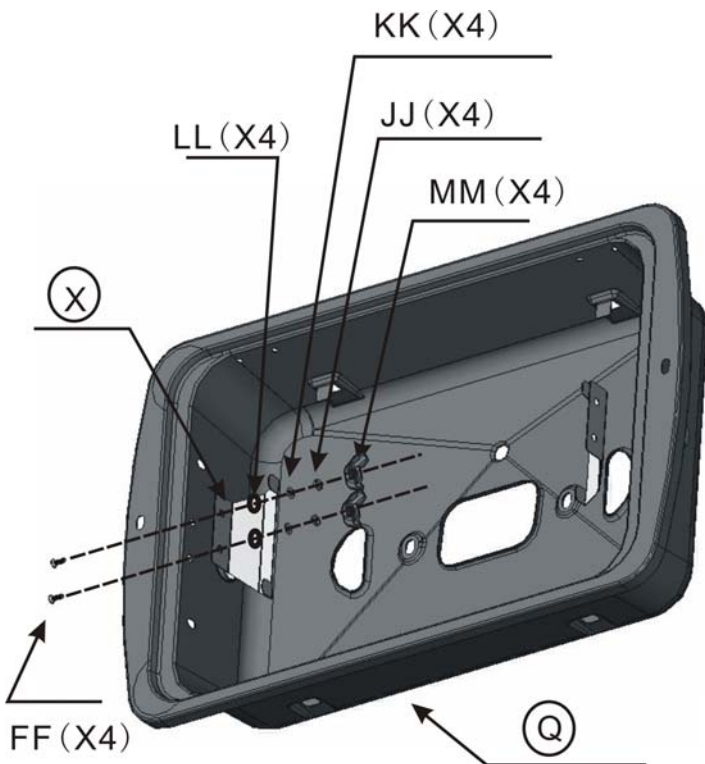
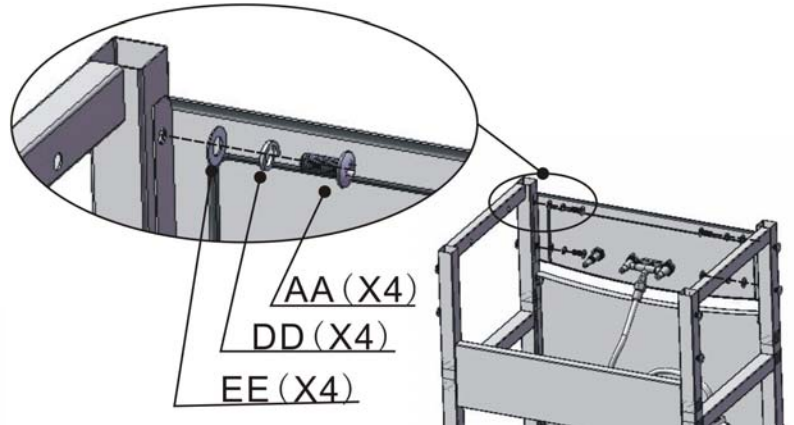
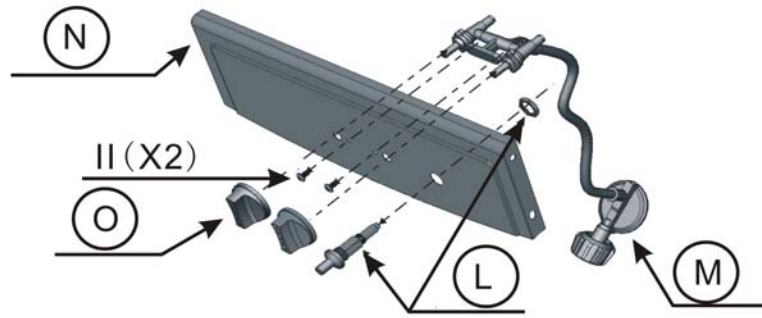
## Step 3

- a) Place the front upper panel (I) on the front lower panel. Align the holes on the front upper panel (I) with the holes on the cart frame, screw a bolt (AA) along with a lock washer (DD) and a flat washer (EE) into each pre-drilled hole. Tighten by screwdriver until secure.
- c) Align the holes on the cart back panel (K) with the holes on the cart frame and screw a bolt (AA) along with a lock washer (DD) and a flat washer (EE) into each pre-drilled hole.
- b) Tighten all bolts by screwdriver until secure.



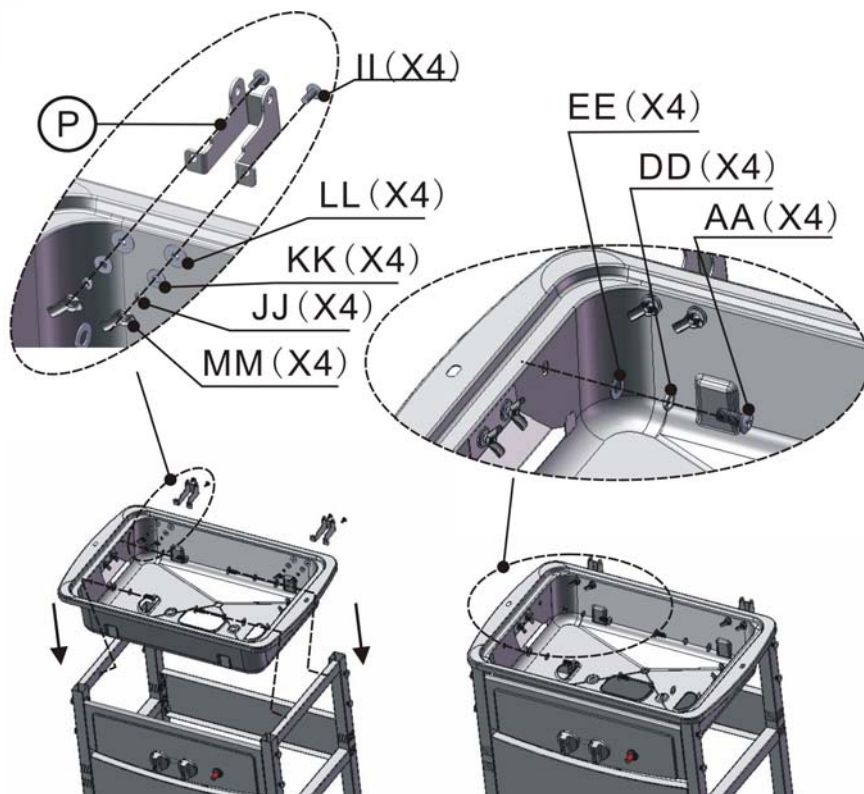
#### Step 4

- Insert the valve shafts of the regulator & valve set (M) into the pre-drilled holes on the control panel (N), then screw a bolt (II) into each hole, tighten bolts by screwdriver until secure.
- Insert the knobs (O) onto the valve shafts.
- Insert the igniter (L) into the pre-drilled hole in the control panel (N). Tighten by hand until secure.
- Align the holes on the control panel (N) with the holes on the upper frame, and then screw a bolt (AA), along with a lock washer (DD) and a flat washer (EE) into each pre-drilled hole. Tighten by hand until secure.
- Tighten all bolts by screwdriver until secure.



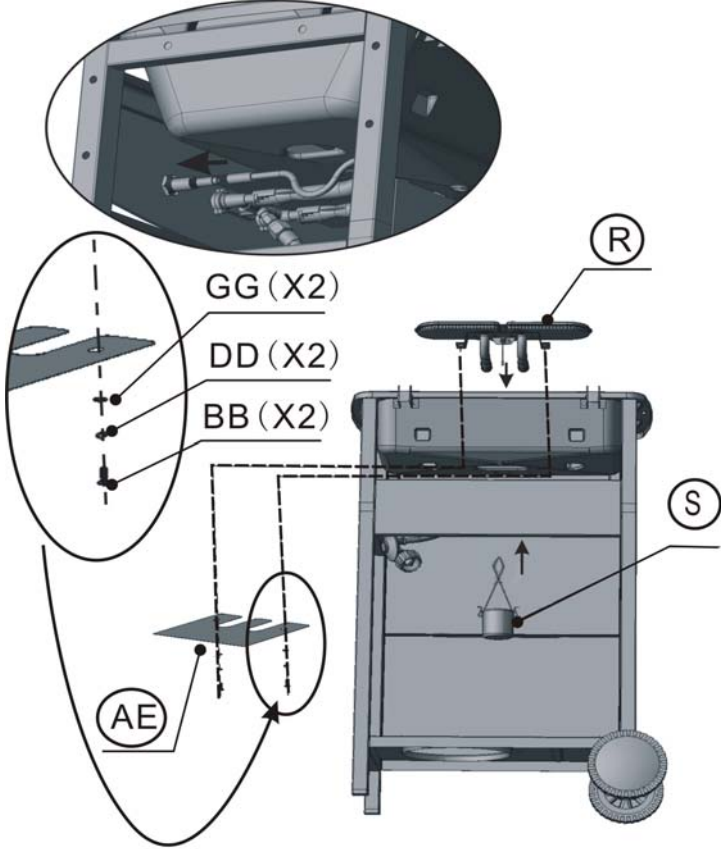
#### Step 5

- Align the holes on the heating plate support (X) with the holes on the grill body (Q), then screw a bolt (FF) from the outside of grill body into each pre-drilled hole. Seal with a heating insulation washer (LL), a flat washer (KK) and a lock washer (JJ) onto each bolt, then screw a wing nut (MM) onto each bolt. Tighten by hand until secure.
- Tighten all bolts by screwdriver until secure.



#### Step 6

- Align the holes on body hinge (P) with the holes on the grill body, then screw a bolt (II), along with a heat insulation washer (LL) into the pre-drilled hole, and then seal with a flat washer (KK), a lock washer (JJ) and a wing nut (MM). Tighten by hand until secure.
- Align the holes on grill body with the holes on the upper frame, then screw a bolt (AA), along with a lock washer (DD) and a flat washer (EE) into each pre-drilled hole. Tighten by hand until secure.
- Tighten all bolts by screwdriver until secure.

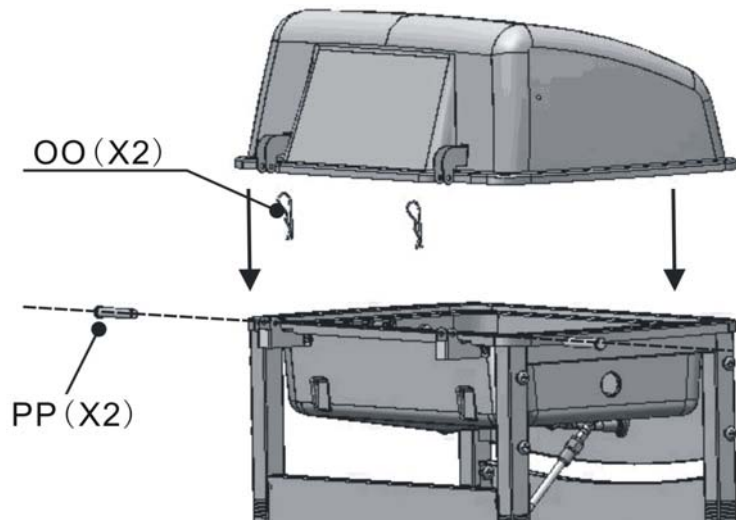
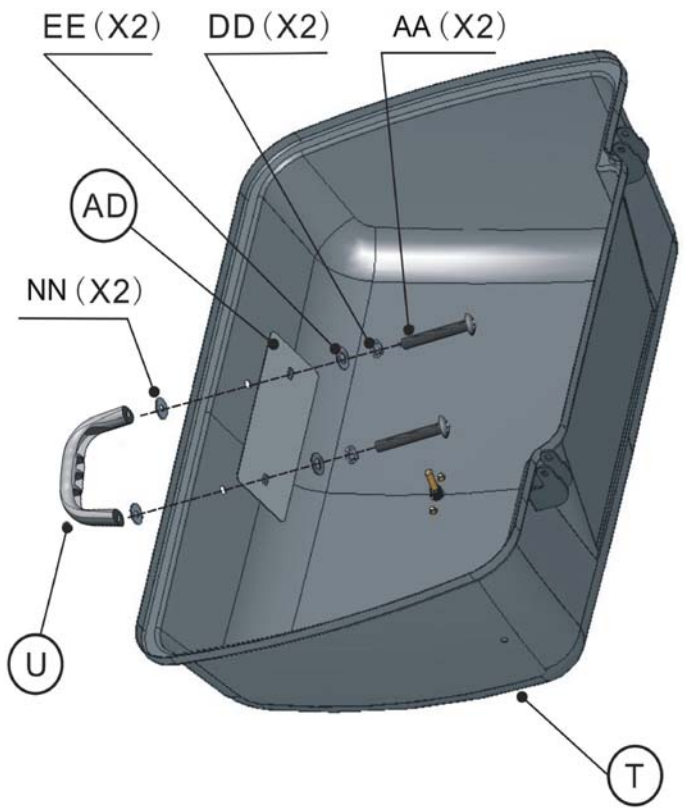


**Step 7**

- Put the burner (R) inside the grill body. Make certain the valve nozzle is inserted into the burner venturi tube well.
- Align the holes on heat insulation panel (AE) with the holes under the bottom of grill body.
- Screw a bolt (BB), along with a lock washer (DD) and a flat washer (GG) through the heat insulation panel, the bottom of grill body and into the burner. Tighten by hand until secure.
- Connect the ignition wire with the igniter.
- Tighten all bolts by screwdriver until secure.
- Hook the grease cup (S) under the grill body

**Step 8**

- Align the holes on the heat insulation panel (AD) with the holes on the lid (T).
- Insert the pre-assembled bolt in lid handle (U) with a heat resistant washer (NN) through the holes on lid (T) and the heat insulation panel (AD), then seal with a flat washer (EE), a lock washer (DD) and a wing nut (AA).
- Tighten all bolts by hand until secure.

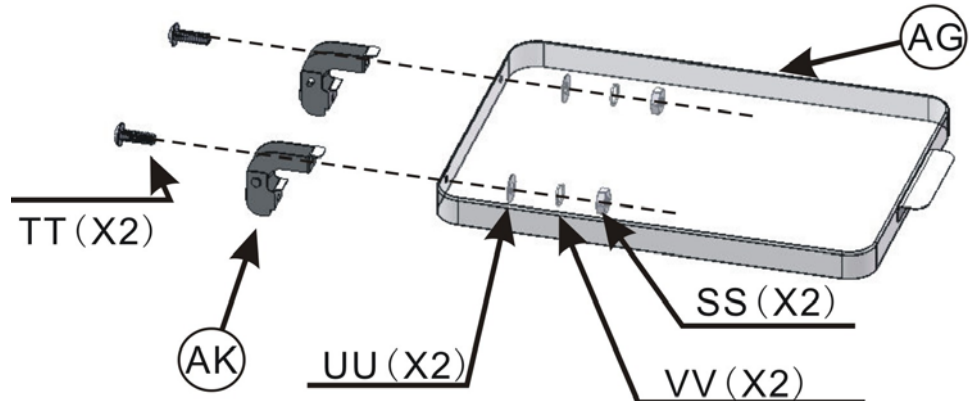


**Step 9**

- Put the lid upon the grill body.
- Align the holes on the lid hinge with the holes on the grill body hinge, then insert the pin (PP) into the hinge hole.
- Insert a hair pin (OO) into the hole on each end of the pins to fasten the lid and grill body.

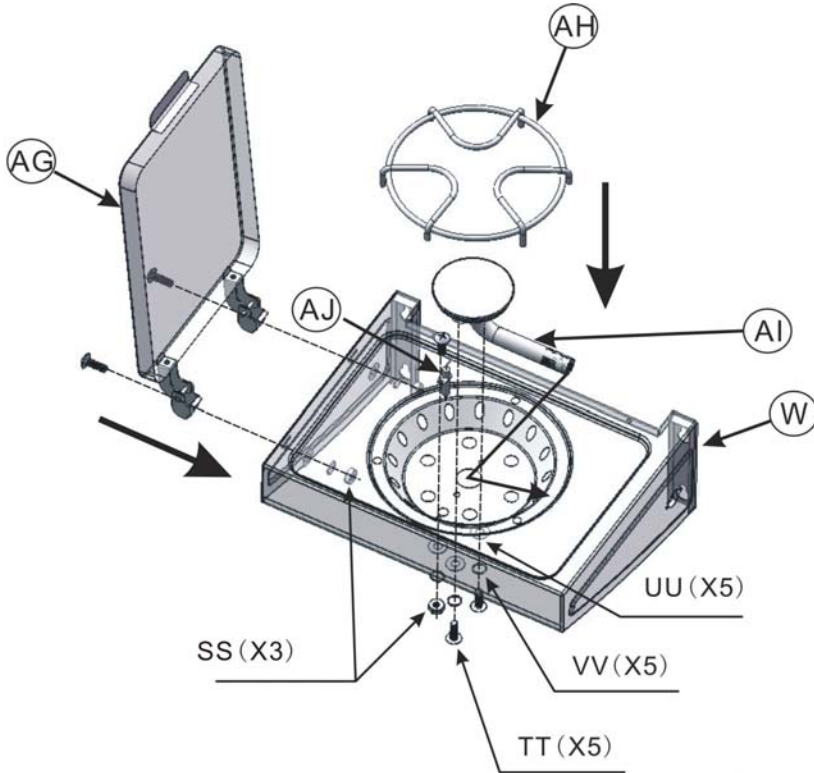
### Step 10

- Align the hole on the hinge (AK) with the hole on the side burner lid (AG).
- Insert a bolt (TT), a flat washer (UU) and a lock washer (VV) and screw a nut (SS) into the bolt. Tighten by hand until secure.
- Repeat the procedure with another hinge with the side burner lid.
- Tighten all bolts using screwdriver provided until secure.



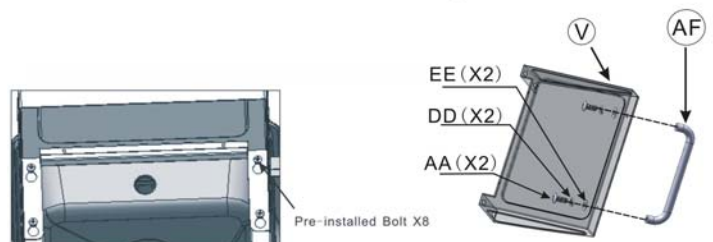
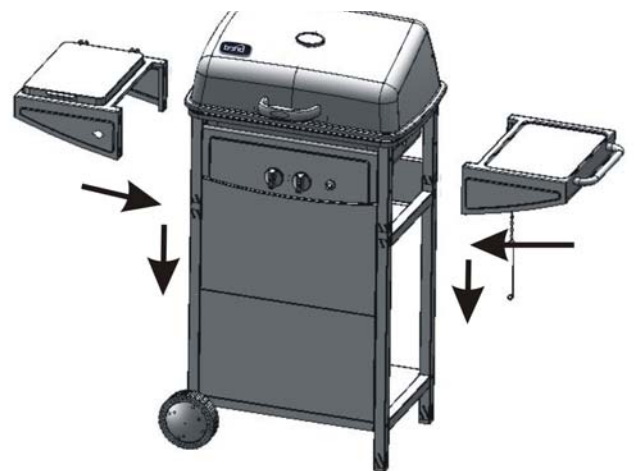
### Step 11

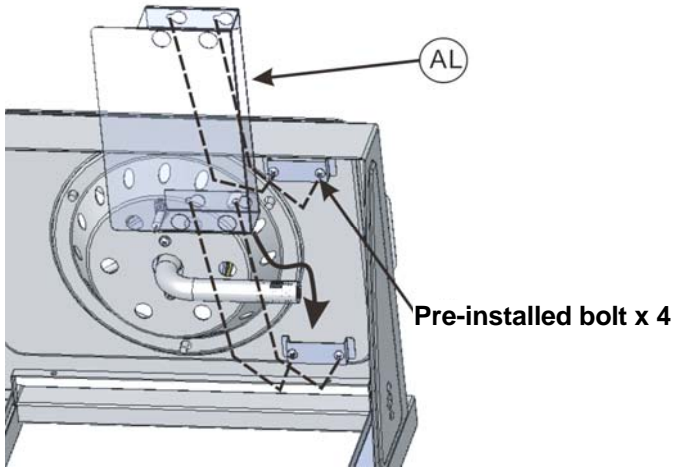
- Align the hole on the hinge (AK) with the hole on the back of left side shelf (W). Insert a bolt (TT), a flat washer (UU) and a lock washer (VV) into the hole and screw a nut (SS) into the bolt. Tighten by hand until secure.
- Repeat the procedure with another hinge with the left side shelf.
- Align the hole on the left side shelf (W) with the holes on the side burner electrode (AJ). Insert a bolt (TT), a flat washer (UU) and a lock washer (VV) into each pre-drilled holes and screw a nut (SS) into the bolt. Tighten by hand until secure.
- Align the hole on the left side shelf (W) with the holes on the side burner (AI). Insert a bolt (TT), a flat washer (UU) and a lock washer (VV) into each pre-drilled holes. Tighten by hand until secure.
- Tighten all bolts using screwdriver provided until secure.
- Place the side burner grate (AH) upon the side burner.



### Step 12

- Align the holes on side shelf handle (AF) with the holes on the right side shelf (V). Insert a bolt (AA), a lock washer (DD) and a flat washer (EE) into each pre-drilled holes. Tighten all bolts using screwdriver provided until secure.
- Loosen the four pre-installed bolts on the right side of the cart and allow 1/4 bolt's length to extend from right upper frame.
- Align the holes on the right side shelf (V) with the bolts extended from the right upper frame. Push down the right side shelf until it locks into place.
- Repeat the procedure for the left side shelf (W).
- Tighten all bolts using screwdriver provided until secure.



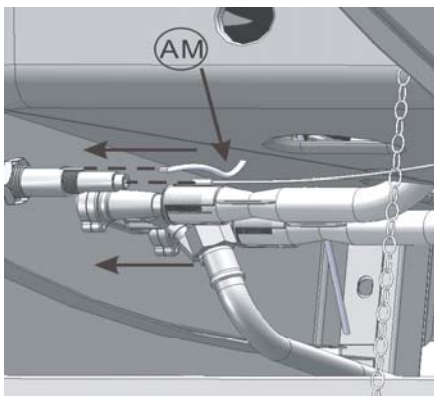
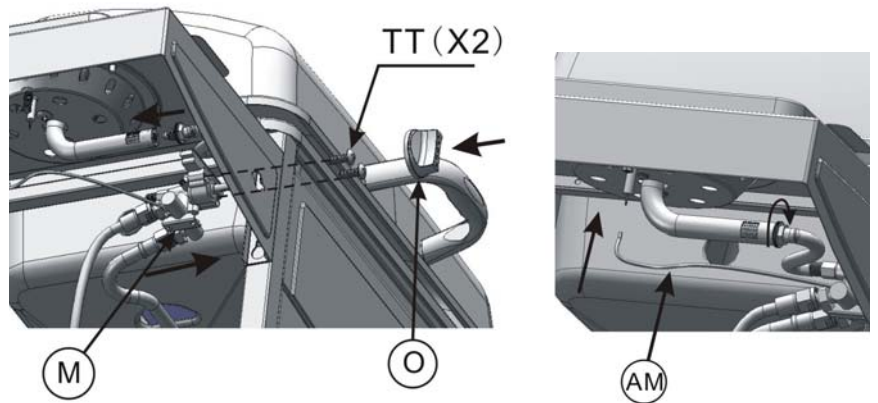


**Step 13**

- a) Loosen the four pre-installed bolts underneath left side shelf (W) and allow 1/4 bolt's length to extend from left side shelf.
- b) Align the holes on the baffle (AL) with the bolts extended from the left side shelf. Push the baffle until it locks into place.
- c) Tighten all bolts using screwdriver provided until secure.

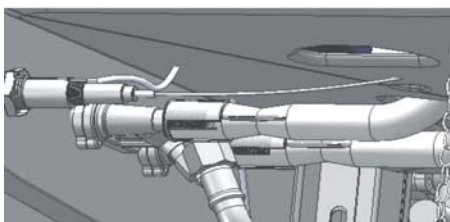
**Step 14**

- a) Align the holes on side burner valve with the holes on the front of left side shelf (W). Insert a bolt (TT) into each pre-drilled holes. Tighten all bolts using screwdriver provided until secure.
- b) Insert one of the knob (O) onto the shaft of the valve.
- c) Turning the nut on the hose of the valve into the tube of the side burner. Make the connection is secure.
- d) Insert the ignition cable onto the electrode underneath the side burner.



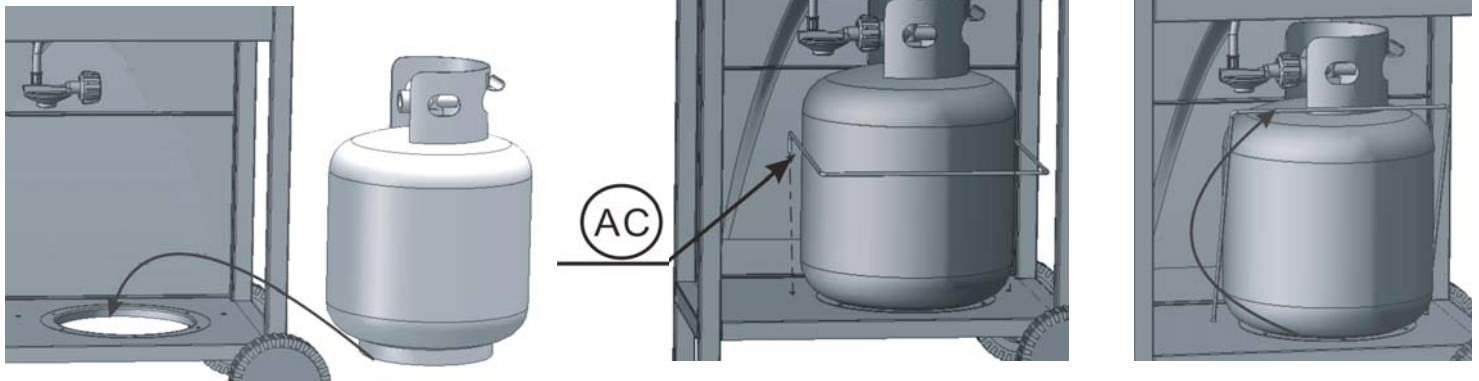
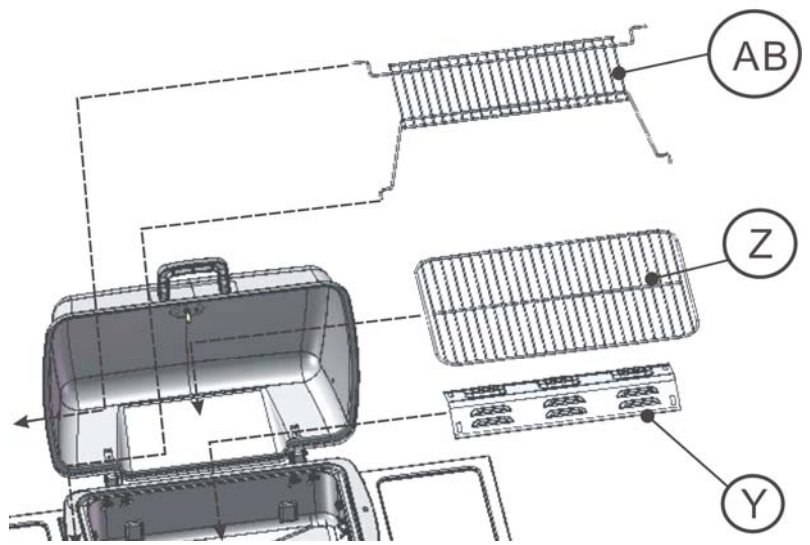
**Step 15**

- a) Insert the ignition cable (AM) under firebox into the electrode on igniter.
- b) Insert the burner cable into the hole on middle of igniter.



### Step 16

- Put the heating plate (Y) onto the heating plate support.
- Put the cooking grate (Z) upon the heating plate.
- Insert the feet of warming rack (AB) into the holes on the top lid and side wall of firebox.



### Step 17

- Put the gas tank on the tank support.
- Connect the regulator with the tank. (Please see the procedure on page 14)
- Insert the tank clip (AC) into the holes on the bottom panel and clip the tank using the tank clip.

## Fully Assembled View

Left Side



Right Side

## Operating Your Grill



### **CAUTION:**

**Use only the regulator provided. If a replacement is necessary, call our customer service center. The use of unauthorized parts can create an unsafe condition and environment.**

The propane gas supply cylinder used must be constructed and marked in accordance with the *Specifications for Propane Gas Cylinders* of the U.S. Department of Transportation (DOT). Only cylinders with a listed overfill prevention device (OPD) and marked "propane" may be used. Cylinders with an OPD will have valve handles with three "lobes" (prongs).

Use only the pressure regulator and hose assembly supplied with the outdoor cooking gas appliance must be used. Replacement pressure regulators and hose assembly must be those specified by the outdoor cooking gas appliance manufacturer. Use only 20-pound cylinders equipped with a cylinder connection device compatible with the connection for outdoor cooking appliances. The cylinder must include a collar to protect the cylinder valve. Do not drop or handle the cylinder roughly. If the appliance is not in use, disconnect the cylinder.

Storage of the appliance indoors is permissible **ONLY** if the cylinder is disconnected and removed from the appliance. Store cylinder outdoors and out of the reach of children. Do not store the cylinder in a building, garage or other enclosed areas. Never store your cylinder where temperatures can reach over 125°F.

Before connecting, make sure there is no debris caught in the head of the gas cylinder, regulator valve or in the head of the burner and burner ports. Connect regulator valve and hand tighten firmly. Disconnect the propane cylinder from the regulator valve when the grill is not in use. **DO NOT** obstruct the flow of combustion air or ventilation air to the grill. Arrange the propane cylinder for vapor withdrawal and equipped with a listed overfill prevention device (OPD).



### **DANGER:**

**A fire causing death or serious injury may occur if the following is not followed exactly:**

Never store or use gasoline or other volatile substances in the vicinity of this grill.

Never store a spare propane cylinder in the vicinity of this grill, or in the vicinity of another potential heat source.

Never fill the propane cylinder beyond 80% full.

This grill is designed to connect to a standard 20 lb L.P. cylinder only, please refer to the Step 13 of assembly instructions for the installation.



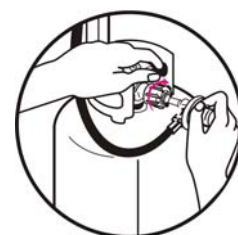
### **WARNING:**

**Don't store spare gas cylinder in or near grill.**

## Connecting & Disconnecting The Gas Cylinder

### **LP (Propane) Gas Supply Connection & Disconnecting**

1. Always place the propane cylinder on the tank holder under the cart.
2. Always confirm that all burner control knobs are in the OFF position before activating the gas supply.
3. Before connection, be sure that there is no debris caught in the head of the gas cylinder, head of the regulator valve, or in the head of the burner and burner ports.
4. Always connect the gas supply regulators as follows:  
Insert the nipple of the valve coupling into the tank valve and tighten the connection collar by turning it clockwise with one hand while holding the regulator with the other hand.  
(See diagram to right.)
5. Disconnect the propane cylinder from the regulator valve when the grill is not in use.
6. Always confirm that all burner control knobs are in the OFF position before disconnecting the gas supply.
7. Before disconnection, be sure that the tank valve is in OFF position.
8. Always disconnect the gas supply regulators as followings:  
Loosen the connection collar by turning it anti-clockwise with one hand while holding the regulator with the other hand and take the nipple of the valve out of the tank valve. (See diagram to right)  
Do not obstruct the flow of combustion air and ventilation air to the grill.  
Keep ventilation openings of the cylinder enclosure free and clear from debris.
9. Place dust cap on cylinder valve outlet whenever the cylinder is not in use. Install only the type of dust cap on cylinder valve outlet that is provided with the cylinder valve. Other types of caps or plugs may result in leakage of propane.



## **DANGER:**

### To prevent fire or explosion hazard when testing for a leak:

1. Always perform the "leak test" before lighting the grill and each time the cylinder is connected for use.
2. Do not smoke or allow other sources of ignition in the area while conducting a leak test.
3. Conduct the leak test outdoors in a well-ventilated area.
4. Do not use matches, lighters or a flame to check for leaks.
5. Do not use grill until all leaks have been stopped. If you are unable to stop a leak, disconnect the propane supply, call for gas appliance service or your local propane gas supplier.

## Checking for Leaks

1. Make 2-3 oz. of leak solution by mixing one part liquid dishwashing soap with three parts water.
2. Make sure control knobs are in the "OFF" position.
3. Spray some solution on the tank valve up to the regulator connection.  
(See diagram to right.)
4. Inspect the solution at the connections for bubbles. If no bubbles appear, the connection is secure.
5. If bubbles appear, you have a leak. Go to step 6.
6. Disconnect the regulator from the tank and reconnect. Make sure the connection is tight and secured.
7. Retest with solution.
8. If you continue to see bubbles, replace the cylinder.



## Lighting Your Grill

## **DANGER:**

Failure to open lid while igniting the grill's burners or not waiting five minutes to allow gas to clear if the grill does not light, may result in an explosion, which could cause serious bodily injury or death.

## **WARNING:**

Never stand with your head directly over the grill when preparing to light the main burners, to prevent possible bodily injury.

### Lighting Main Burner

1. Open lid during lighting.

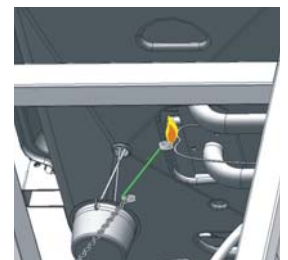


**WARNING:** Attempting to light the burner with the lid closed may cause an explosion. Make sure there are no obstructions of airflow to the gas unit. Spiders and insects can nest and clog the burner/venturi tube at the orifice. A clogged burner tube can lead to a fire beneath the appliance.

2. Make sure all control knobs are in "OFF" position.
3. Turn on gas source or tank valve.
4. Ignite only the burner you wish to use. Push and turn the knob to "HIGH" then press the igniter button 2 or 3 times immediately. The burner should light.
5. If ignition does NOT occur, turn the knob to OFF, wait 5 minutes and repeat the lighting procedure.
6. To ignite another burner, push and turn the knob to "HIGH". If ignition does NOT occur in 5 seconds, turn the burner to OFF, wait 5 minutes and repeat the lighting procedure. Adjust valve knob(s) to desired cooking temperature.

### Using the Lighting Stick to Light the Main Burners

1. Insert a match into the end of lighting stick. Light the match.
2. Once lit, place the flame through the hole on grill body to reach the burner ports (As the fig shown on right side).
3. Push and turn the valve knob counter clockwise to the "HIGH" position. The burner should light immediately. If ignition does NOT occur in 5 seconds, turn the burner to OFF, wait 5 minutes and repeat the lighting procedure.
4. To ignite another burner, push turn the knob to "HIGH". If ignition does NOT occur in 5 seconds, turn the burner to OFF, wait 5 minutes and repeat the lighting procedure.



- Adjust burners to the desired cooking temperature.



### Precautions:

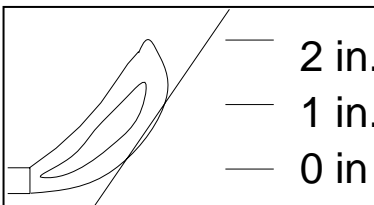
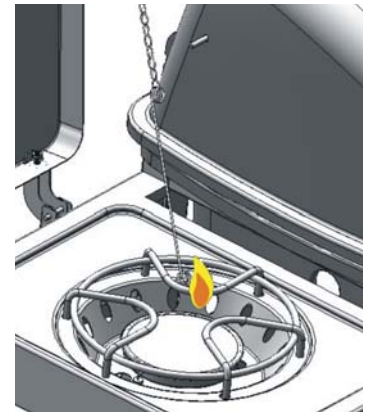
- After lighting, observe the burner flame. Make sure all burner ports are lit.
- If the burner flame goes out during operation, immediately turn the gas "OFF". Open lid to let the gas clear for at least 5 minutes before re-lighting.
- Before cooking on the grill for the first time and operate the grill for approximately 15 minutes with the lid closed and the gas turned on "HIGH". This will "heat clean" the internal parts, dissipate odor from the manufacturing process and painted finish.
- Clean the grill after each use. DO NOT use abrasive or flammable cleaners. This may damage parts of the grill and cause a fire.

### Lighting Side Burner

- Open lid before lighting side burner.
- Make sure control knob is in OFF position.
- Turn on gas source or tank valve.
- Push and turn the knob to "HIGH" then press the igniter button 2-3 times immediately. The burner should light.
- If ignition does NOT occur, turn the knob to OFF, wait 5 minutes and repeat the lighting procedure.
- Adjust valve knob to desired cooking temperature.

### Using the Lighting Stick to Light the Side Burner

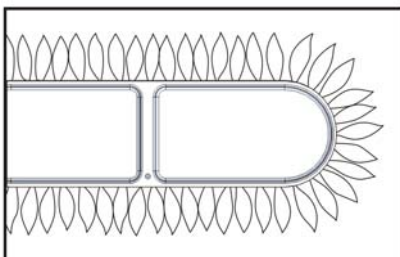
- Open lid while lighting the burner. Lid must remain open while burner is lit
- Remove the lighting stick then insert a match into the end of lighting stick. Light the match.
- Once lit, place the flame next to the burner ports. (See diagram to right.)
- Push and turn the knob counterclockwise to the "HIGH" position, the burner should light immediately.
- If ignition does NOT occur, turn the knob to OFF, wait 5 minutes and repeat the lighting procedure.
- Adjust valve knob to the desired cooking temperature.



**Observe flame height when lit: Flame should be a blue/yellow color between 1 to 2 inches high.**

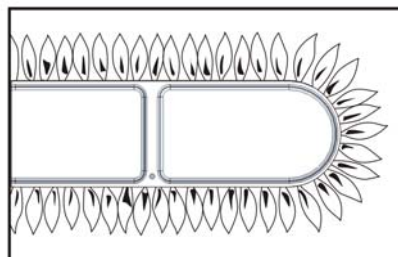
Confirm that the burner is properly lit and that the flame pattern is as desired (see fig. A, B and C below for the proper flame patterns). If the flame pattern is other than normal, consult the *Troubleshooting* on page 20 for corrective action.

FIG. A



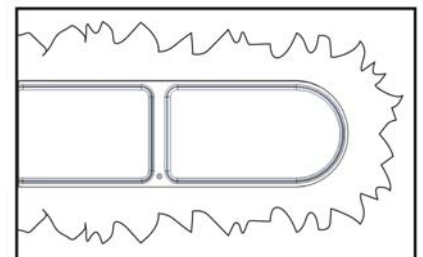
Normal: Soft blue flames with yellow tips between 1 inch - 2 inches high.

FIG. B



Out of adjustment: Noisy hard blue flames – too much air.

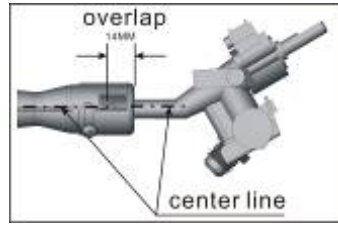
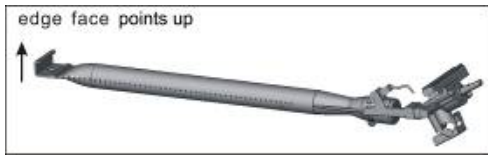
FIG. C



Poor combustion: Wavy, yellow flames- too little air.



## Burner installation and adjustment



End edge should face towards upside.

1. Release the screw on venturi tube.
2. Adjust the flame by turning the collar on head of venturi tube from back side of the grill and do not take apart the venturi tube.
3. Tighten the screw and make certain it is secured.

1. Overlap 14 mm between venturi tube and nozzle when assembling.
2. Keep the center line of venturi tube and nozzle on one line.

## Flare-ups

“Flare-ups” sometimes occur when food drippings fall onto the hot heat distribution plate or burners and ignite. Some flaring is normal and desirable as it helps impart the unique flavors associated with grilled foods. Controlling the intensity of the flare-ups is necessary, however, in order to avoid burned or unevenly cooked foods and to prevent the possibility of accidental fire.



### WARNING:

**Always monitor the grill closely when cooking and turn the flame level down to LOW or OFF if flare-ups intensify. Shutting Off Burners**

1. Always turn the valve knob(s) clockwise to the “HIGH” position, and then press and turn it to “OFF”. Never force the knob without pressing it. This could damage the valve.
2. Promptly turn the gas supply to the “OFF” position at the propane cylinder.
3. Close the lid of the grill.

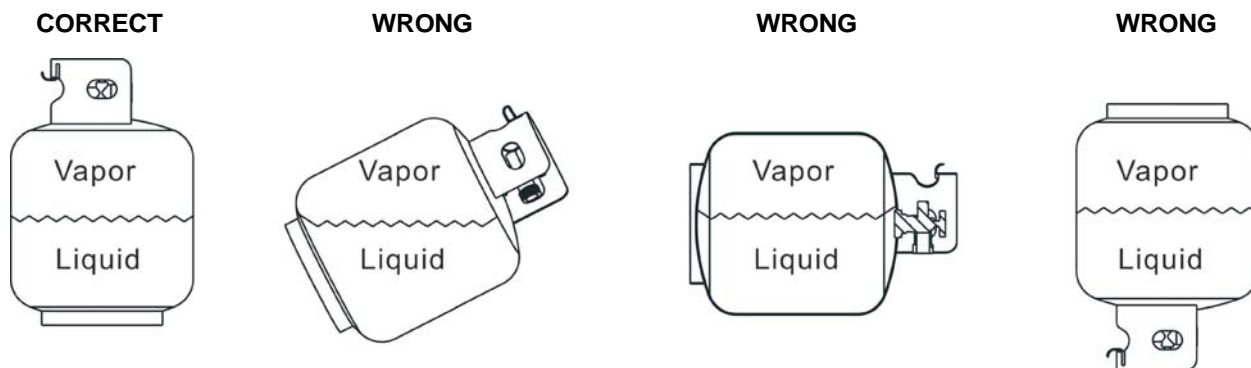
## Excess Flow Safety Valve Reset Procedure

- The new regulators are equipped with a safety device that restricts the gas flow in the event of a gas leak. However, unsafe practices of grill operation could activate the safety device without having a gas leak.
- A sudden shut off of the gas flow typically occurs if you open the LP tank valve rapidly, or if one or more of the burner control knobs is in an open position when opening the LP tank valve.
- This procedure effective with all LP Tank sizes as well as Natural Gas. When performing the procedure on a Natural Gas model, simply substitute "Natural Gas valve" for "LP Tank
- To ensure the procedure is safely and successfully performed, please carefully follow these instructions:
  1. Close the LP tank valve.
  2. Turn all burner control knobs to the OFF position.
  3. Disconnect the regulator from the LP tank.
  4. Open the lid of the grill.
  5. Turn burner control knobs to HIGH.
  6. Wait at least 1 minute.
  7. Turn burner control knobs OFF.
  8. Wait for at least 5 minutes.
  9. Re-connect the regulator to the LP tank.
  10. Slowly turn the LP tank valve ¼ turn at a time and have the valve all the way open.
  11. With the lid open: For grill with ignition button: turn on only ONE burner control knob to the HIGH position. Ignite the grill by pushing the ignition button. For grill with an automatic ignition: Push down the control knob you want to light, turn counterclockwise until you hear the ignition click.
  12. After the first front burner is lit, turn on the other control knob(s) to the HIGH position. If you have more than two burners, turn them on only ONE AT A TIME.
  13. When all front burners are lit, close the grill lid.
  14. Wait for 10-15 minutes; the temperature should reach 400 – 450°F.



### WARNING:

**The cylinder valve always has to be above the horizontal position, for the cylinder to have vapor withdrawal only.**



## Care and Maintenance

### IMPORTANT

Always allow to completely cool off before covering your grill to prevent corrosion from condensation.



### CAUTION:

All cleaning and maintenance should be done when the grill is cool, with the fuel supply turned off at the control dial and the propane cylinder disconnected. **DO NOT** clean any grill part in a self-cleaning oven. The extreme heat will damage the finish.

#### Cleaning

Burning off the grill after every use (approx. 15 minutes) will keep excessive food residue from building up. Clean the grill before and after cooking is recommended.

#### Recommended cleaning materials:

Mild dishwashing liquid detergent	Hot water
Nylon cleaning pad	Wire brush
Paper clip	Putty knife/scrapper
Compressed air	

DO NOT use cleaners that contain acid, mineral spirits or xylene.

#### Outside surfaces

Use a mild dishwashing detergent and hot water solution to clean. Rinse thoroughly with water.

#### Inside surface

If the inside surface of the grill lid has the appearance of peeling paint, baked on grease has turned to carbon and is flaking off. Clean thoroughly with a strong solution of detergent and hot water. Rinse with water and allow it to completely dry.

Interior of grill bottom – Remove residue using brush, scraper and/or cleaning pad. Wash with a dishwashing detergent and hot water solution. Rinse with water and let dry.

Cooking Grates – The porcelain grates have a glass-like composition that should be handled with care. Use a mild dishwashing detergent or baking soda and hot water solution. Non-abrasive scouring powder can be used on stubborn stains. Rinse with water.

Heat Plates – Clean residue with wire brush and wash with soapy water. Rinse with water.

Grease Cup – Periodically empty the grease cup and clean with a dishwashing detergent and hot water solution.

#### Cleaning the Burner Assembly

1. Turn gas off at the control knobs and propane tank.
2. Remove cooking grates and heat plate.
3. Remove grease cup.
4. Remove burner by unscrewing nut from beneath burner “foot” using a screwdriver and pliers.
5. Lift burner up and away from the gas valve orifice.
6. Clean inlet (venturi tube) of burner with small bottle brush or compressed air.
7. Remove all food residue and dirt on outside of burner surface.
8. Clean any clogged ports with a stiff wire (such as an opened paper clip).
9. Inspect burner for damage (cracks or holes). If damage is found, replace with a new burner. Reinstall burner. Make certain the gas valve orifices are correctly positioned, pointing straight into burner inlet (venturi tube). Also, check position of spark electrode.

## Troubleshooting

Problem	Possible Cause	Prevention/Cure
Burner will not light using knobs or igniter.	Wires and/or electrode covered with cooking residue.	Clean wire and /or electrode with rubbing alcohol.
	Electrode and burners are wet.	Wipe dry with cloth.
	Electrode cracked or broken – sparks at crack.	Replace electrode.
	Wire loose or disconnected.	Reconnect wire or replace electrode/wire assembly.
Burner will not light using a match.	No gas flow.	Check if propane tank is empty. If empty, replace or refill. If propane tank is not empty, refer to <b>Excessive flow safety valve reset procedure</b> on page 17.
	Coupling nut and regulator not fully connected. Obstruction of gas flow.	Turn the coupling nut about one-half to three quarters additional turn until solid stop. Tighten by hand ONLY - do not use tools. Clear burner tubes.
	Disengagement of burner to valve.	Check for bent or kinked hose. Reengage burner and valve.
	Spider webs or insect nest in venturi.	Clean venturi.
	Burner ports clogged or blocked.	Clean burner ports.
	Tank out of gas.	Check for gas in propane tank.
Sudden drop in gas flow or reduced flame height.	Excess flow safety device may have been activated	Refer to the <b>Excessive flow safety valve reset procedure</b> on page 17.
Irregular flame pattern, flame does not run the full length of burner.	Burner ports are clogged or blocked.	Clean burner ports.
Flame is yellow or orange.	New burner may have residual manufacturing oils.	Burn grill for 15 minutes with the lid closed.
	Spider webs or insect nest in venturi.	Clean venturi.
	Food residue, grease or seasoning salt on burner.	Clean burner.
	Poor alignment of valve to burner venturi.	Assure burner venturi is properly engaged with valve.
Flame blow out.	High or gusting winds.	Turn front of grill to face wind or increase flame height.
	Low on propane gas.	Replace or refill propane tank.
	Excess flow valve tripped.	Refer to the <b>Excessive flow safety valve reset procedure</b> on page 17.
Flare-up.	Grease buildup.	Clean grill.
	Excessive fat in meat.	Trim fat from meat before grilling.
	Excessive cooking temperature.	Adjust (lower) temperature accordingly.
Persistent grease fire.	Grease trapped by food buildup around burner system.	Turn knobs to OFF. Turn gas OFF at propane tank. Leave lid in closed position and let fire burn out. After grill cools, remove and clean all parts.

Flashback [fire in burner tubes].	Burner and /or burner tubes are locked.	Clean burner and/or burner tube(s).
Inside of lid is peeling – like paint peeling.	Baked on grease buildup has turned to carbon and is flaking off.	Clean thoroughly.
Irregular flame.	Air flow is not correct. <u>Correct</u> Flame blue with yellow tips, 1-2" high. <u>Too little air</u> : wavy yellow or orange flames. <u>Too much air</u> : noise blue flames.	If flames are yellow or orange – open flap at the end of the venturi tubes in 1/8 in. increments until flames are correct. If flames are blue and noisy – close flap at the end of the venturi tubes in 1/8 in. increments until flames are correct. *Propane Models must be open a minimum of 1/8 in.

## Warranty Program

**Proof of purchase** is required to access this warranty program, which is in effect from the date of purchase. If unable to provide proof of purchase or after the warranty has expired, customers will be subject to parts, shipping and handling fees.

### **Full 30-Day Warranty**

Any missing parts can be replaced at no charge within 30 days from the date of purchase with a valid proof of purchase.

### **Limited Warranty**

1-Year Limited Warranty on stainless steel tube burners.

1-Year Limited Warranty on all parts in regards to damage affecting the operation of the gas grill.

Warranty Provisions:

- This warranty is non-transferable and does not cover failures due to misuse or improper installation or maintenance.
- This warranty is for replacement of defective parts only. We are not responsible for incidental or consequential damages or labor costs.
- This warranty does not cover chips and scratches of porcelain or painted surfaces, nor does it cover corrosion or discoloration due to misuse, lack of maintenance, hostile environment, accidents, alterations, abuse or neglect.
- This warranty does not cover damage caused by heat, abrasive and chemical cleaners, resulting in chipped porcelain enamel parts or any damage to other components used in the installation or operation of the gas grill.

**The original consumer-purchaser will be responsible for all shipping and handling charges of parts replaced under the terms of this limited warranty. If unable to provide proof of purchase or if the warranty has expired, customers will also be subject to parts fees.**

**Some states do not allow the limitation or exclusion of incidental or consequential damages, so the above limitations or exclusions may not apply to you. This warranty gives you specific legal rights, and you may also have other rights that vary from state to state.**

**If you have any questions related to the product or warranty, please visit our website at [www.bbqtek.com](http://www.bbqtek.com) or email us to [service@bbqtek.com](mailto:service@bbqtek.com) or call our customer service center at 1-877-885-8227, 7:00 A.M. to 4:00 P.M. (PST), Monday through Friday.**

## **Manufactured by:**

**Lucas BBQ CO., Ltd.  
Liangbian Industrial Zone, Liaobu Town,  
Dong Guan City, Guang Dong, China.**

**Printed in China**