

This Owner's Manual is provided and hosted by [Appliance Factory Parts](#).



Broil King 9453-54 Owner's Manual

[Shop genuine replacement parts for Broil King 9453-54](#)



[Find Your Broil King Grill Parts - Select From 1350 Models](#)

----- Manual continues below part list -----

Available Replacement Parts for Broil King 9453-54

04200	electrode
94881	heat plate, ss, 11.75 x 23; BK,
34120194	CASTING BOTTOM 390 +
10696-160	ORIFICE HOOD R/B 0.160MM NG
18434	INFINITY BURNER T501
18488	FLAV-R-WAVE - 50,000 BTU STAINLESS
10342-T301	IGNITOR ELECTRODE ASSEMBLY 8 BURNER 1993
18013	LARGE PROBE HEAT INDICATOR
10225-T10	GRID PORCELAIN S/B
10393-K40	SIDE BURNER COVER 1.86
10081-BK630	NAMEPLATE HI BROIL KING BLACK ZINC
10240-15	HINGE PIN SIDE SHELF DROP DOWN
S21237	HINGE PIN SPACER
10892-15	CASTER 2 1/2 INCH WHEEL KNURLED
S21124	SCREW PHCP #8 X 12 +
PB20-60A	S/B LID HANDLE WAGON ENCLOSER+ W/SCREWS
10390-E10	BURNER SIDE 10BTU W/ELEC #8 +
10393-R50	SIDE BURNER BODY 2002 +
Y-12220	S/B BUSHING SB 1.375 16 HEY
50416	SMALL DRIP PAN - 10 PACK
10892-931A	WHEEL 7 INCH GREY WALL
30500004	1 PORT ELECTRONIC IGNITION MODULE
10342-244	IGNITOR ELECTRONIC +
S15236	ROTISSERIE MOTOR AC 120V
10070-K421	ROTISSERIE BRACKET ASSY + W/HARDWARE
S15263	ROTISSERIE BUSHING
S15299	WASHER COUNTERWEIGHT ROTIS
S15270	ROTISSERIE COUNTERWEIGHT ASSY
S15271	ROTISSERIE HANDLE +
10184-e78A	END CAP DOOR TOP LHS W/MAGNET

10184-e76	END CAP DOOR BOTTOM LEFT A
10184-e79a	END CAP DOOR TOP RHS W/MAGNET
10184-E401	SUPPORT CASTING L BLK
10696-109	ORIFICE HOOD R/B 0.109MM LP
10473-E392	CASTING TOP 390
10156-E30	HEAT SHIELD 2007
10711-E32	EDGE CAP CONTROL COVER LHS
10184-R80	RADIATION SHIELD RAW
10184-E62	SHELF SUPPORT BRACKET LHS +
10184-E63	SHELF SUPPORT BRACKET RHS +
10958-E81	BASE RESIN CABINET REV A +
10958-E761	PANEL SIDE BLACK +
10958-E901	PANEL REAR BLACK 21 3/4 INCH NEW 2006
10184-E691	ALIGNMENT BRACKET BLACK
10184-E77	END CAP DOOR BOTTOM RIGHT A
S13005A	BURNER TUBULAR W/IGNITION
S15170	AXLE PLTD 3/8X20 5/8 CAB +
10194-E39	CONTROL COVER S.S. 2V S/B R/B
10225-E390	GRID UPPER NICK/CHRME 390/400+
10958-E400	TOP CASTING INSERT SS
11228	CI COOKING GRIDS SET OF 2
S15257	SPIT ROD ROTISSERIE 33 INCH
10958-e79lw	DOOR SMALL LHS CABINET ASSY +
10342-T16	WIRE ELECTRODE S/B +
00475	heat indicator
10184-E211	TANK COLLAR CLAMP 3B BLACK
10184-E201	TANK STRAP 3B BLACK
10711-E764	SIDE SHELF ASSY LEFT 390
80012	regulator and hose READ ADD. INFO
10342-245	IGNITOR ELECTRONIC DUAL +
10194-E33	CONTROL COVER 2V SS
50502	HEAVY DUTY MEAT FORKS
10184-E991	DOOR CATCH BRACKET

543S2	cook grid 304SS 25-1/4x15 INCHES OVERALL
10111-K45	HOSE 3/8 INCH ASSEMBLY NG 10 FOOT +
Y-11990	NUT HEX BRASS 3/8 27 RB LINE
10472-K431	CONTRL KNOB RESIN LRG BLCK W/SS BA STRIP
24005-12AB	LID-HANDLE BENT,

Broil King®

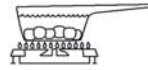
REDDI-BILT BARBECUES

ASSEMBLY MANUAL & PARTS LIST

MANUEL DE MONTAGE & LISTE DE PIÈCES

Broil King

CROWN 20
9453-54
9453-57



Broil King

CROWN 40
9453-64
9453-67
CROWN 40C
9453-64C
9453-67C



Broil King

9459-34
9459-37



Broil King

CROWN 90
9455-84
9455-87



RETAIN FOR FUTURE REFERENCE

VEUILLEZ CONSERVER POUR REFERENCE ULTERIEURE

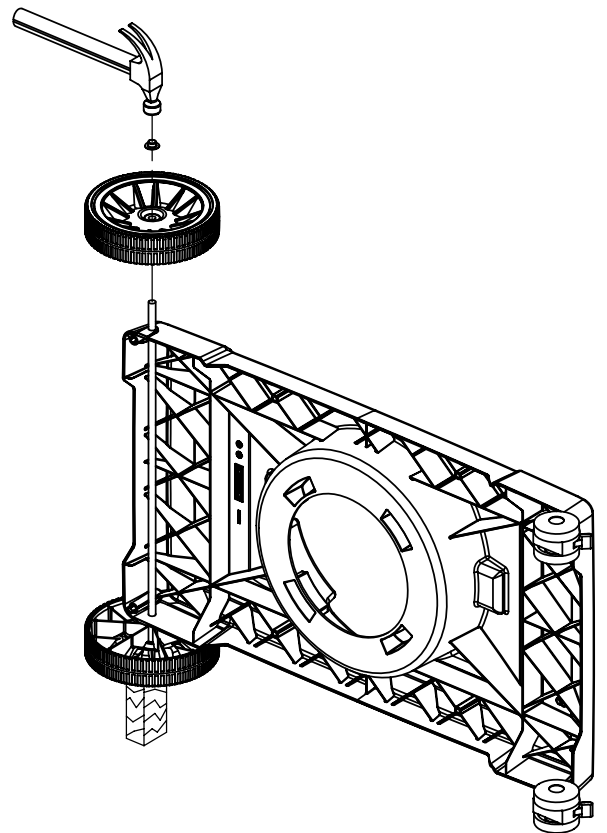
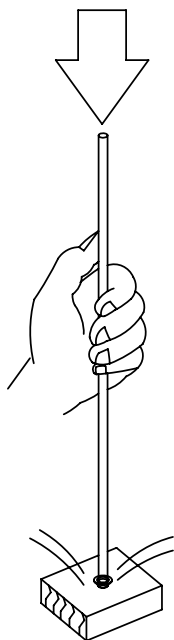
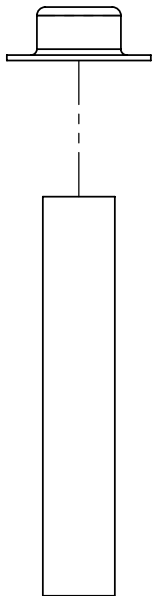
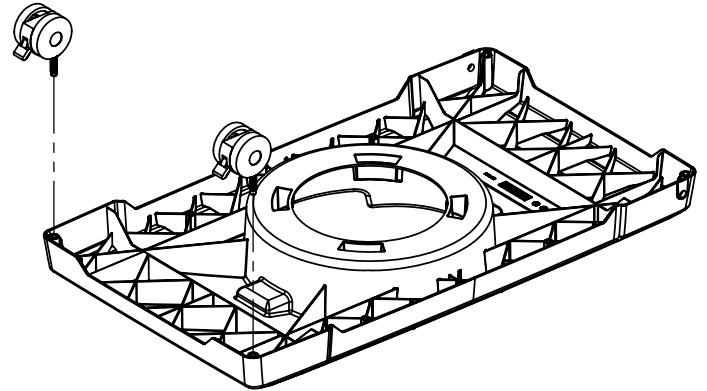
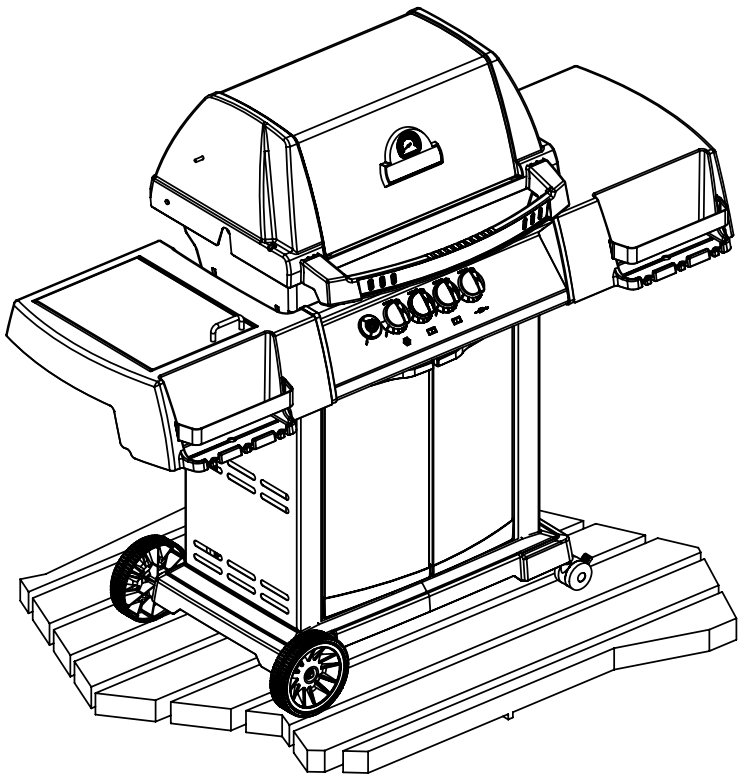
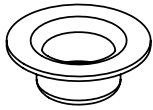
1-800-265-2150

info@omcbbq.com

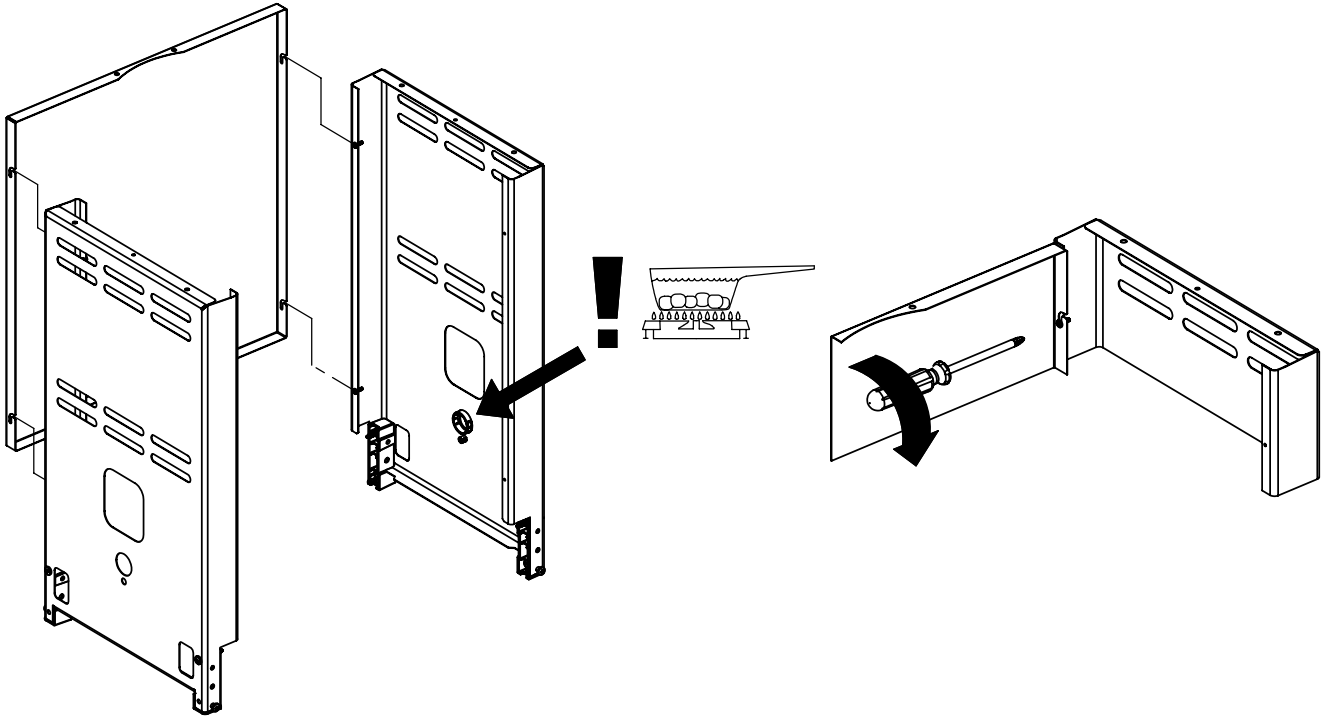
Onward
 SINCE 1906
 MANUFACTURING COMPANY
 585 KUMPF DRIVE LIMITED
 WATERLOO, ONTARIO, CANADA
 N2V 1K3

10084-K73 REV E 10/11

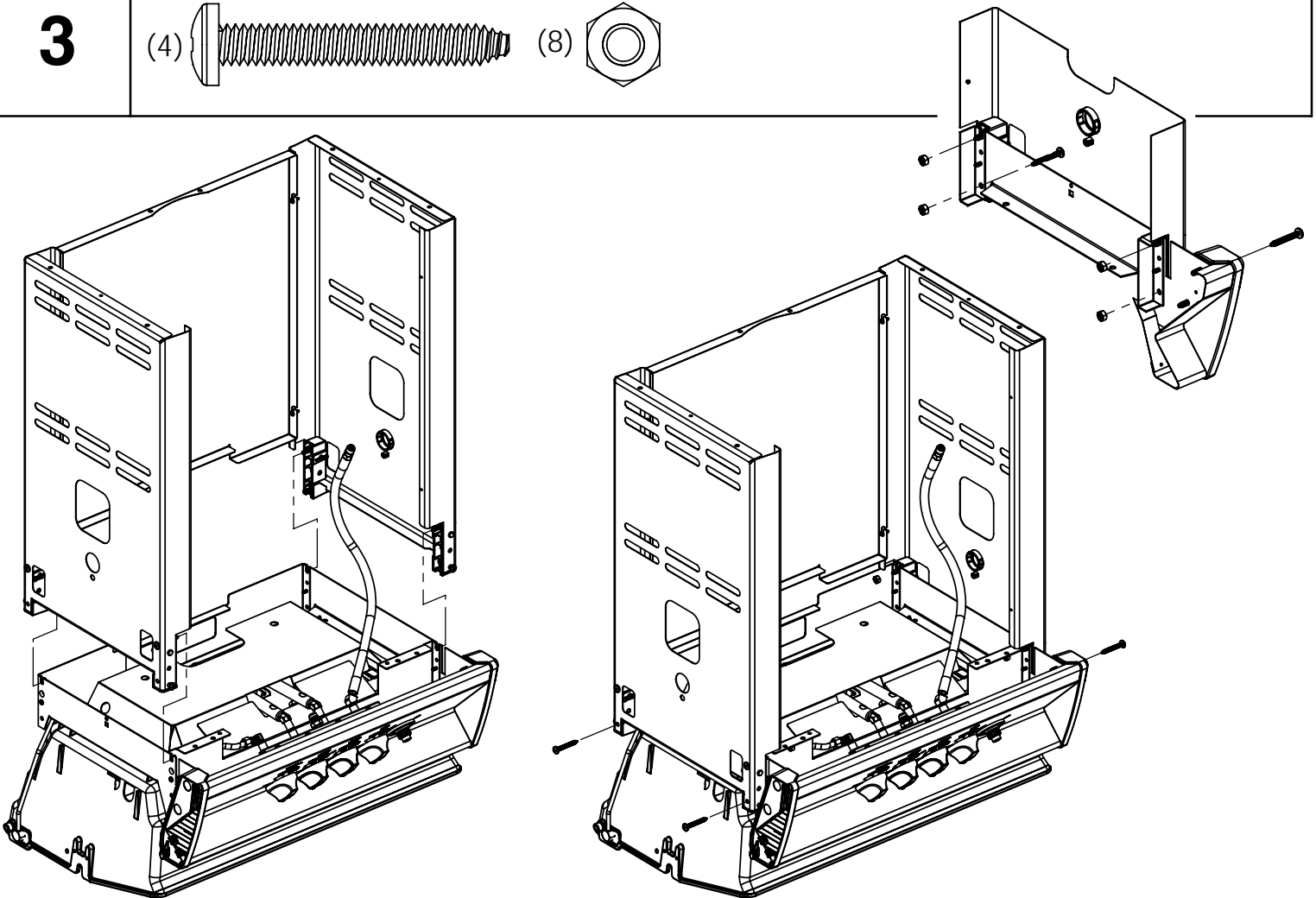
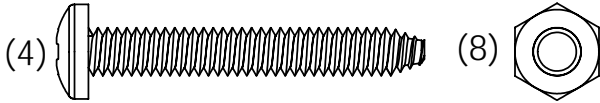
1



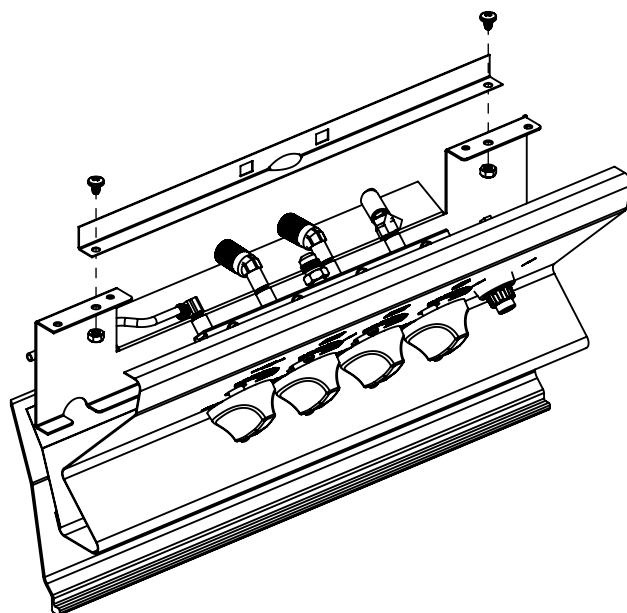
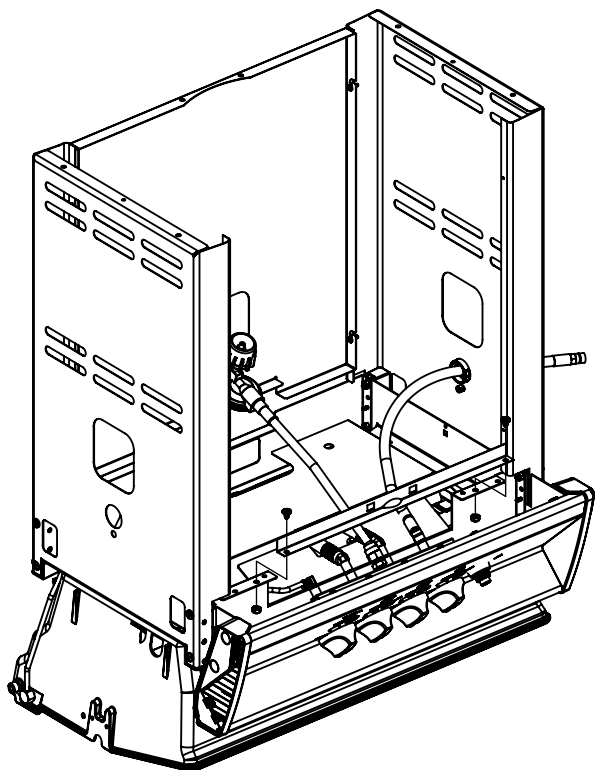
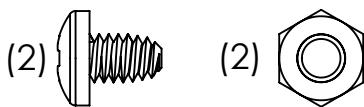
2



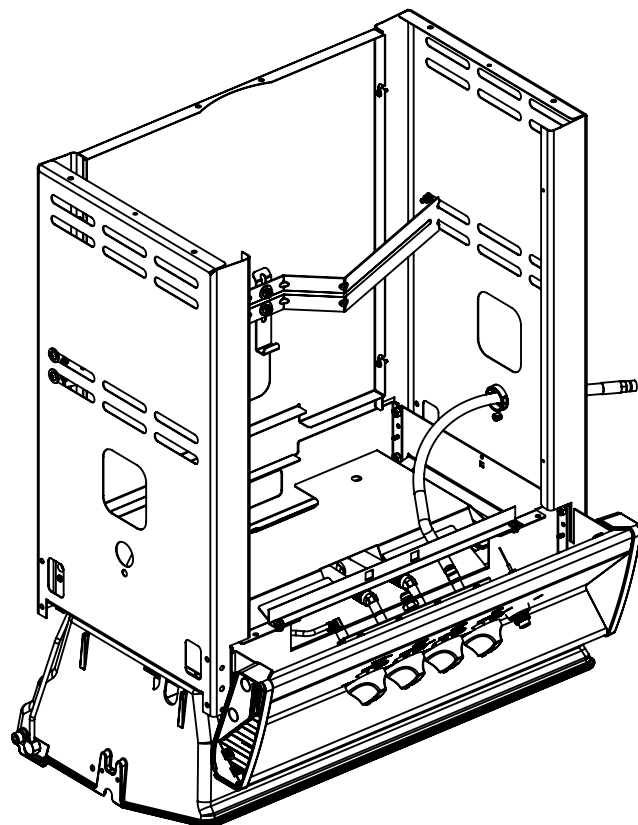
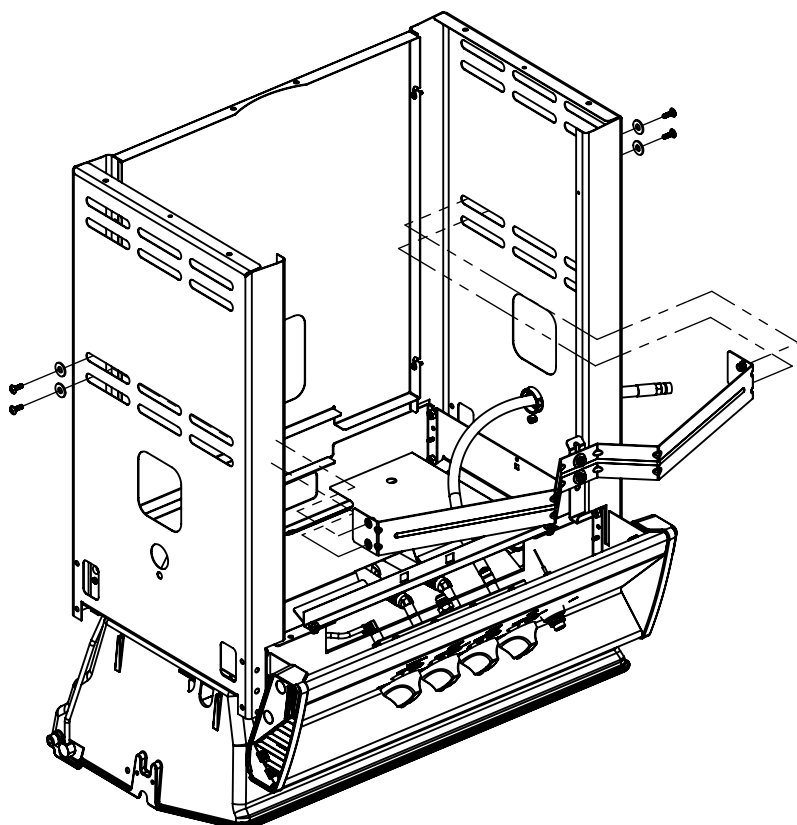
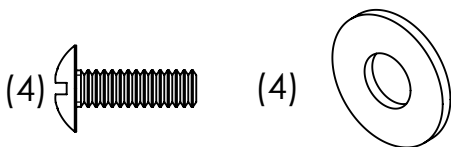
3



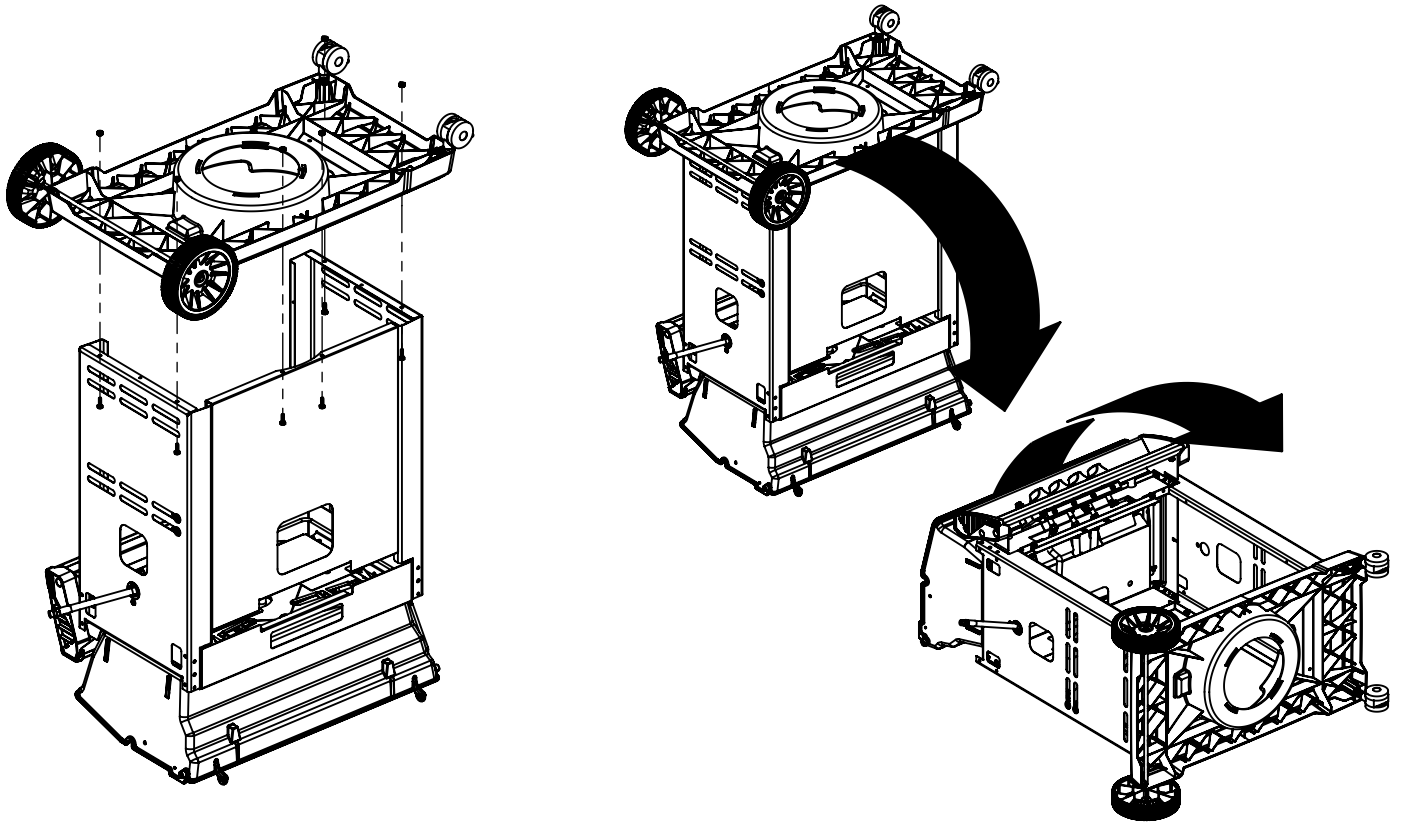
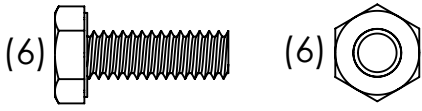
4



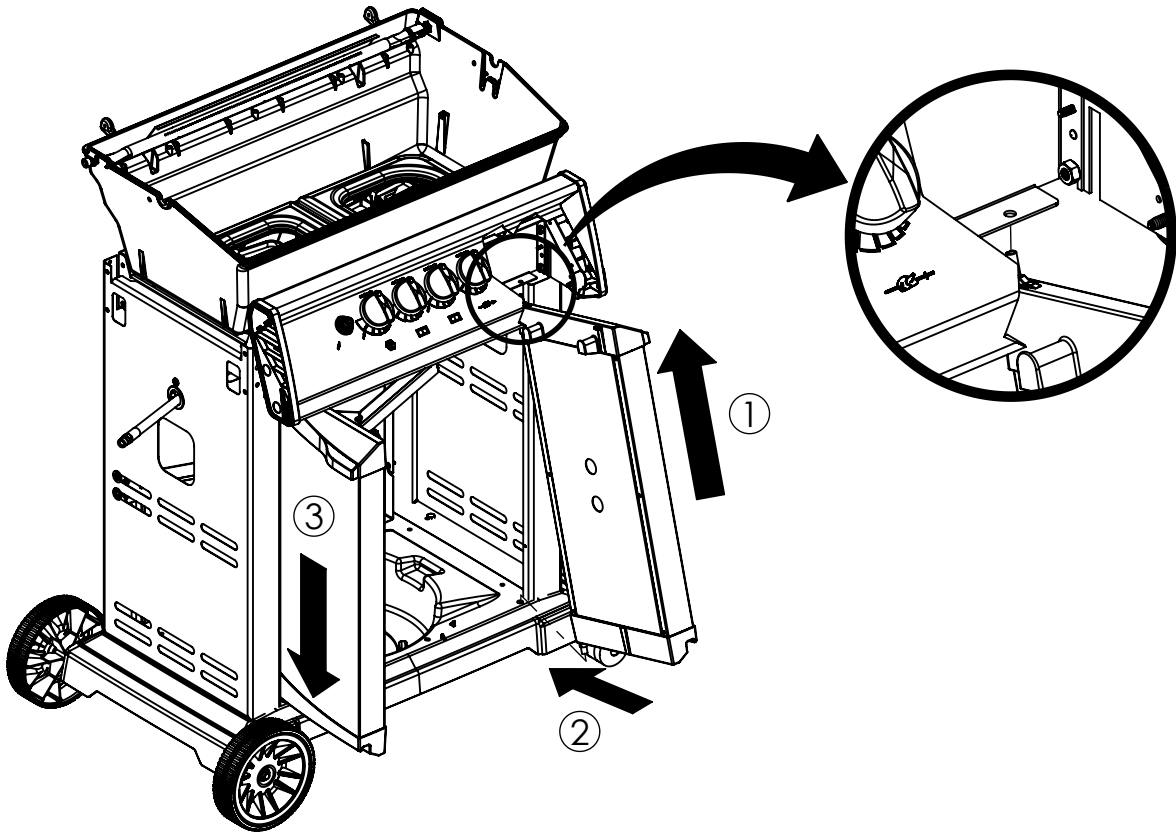
5



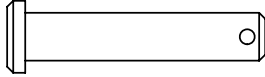
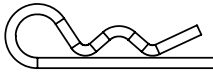
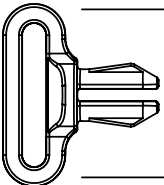
6

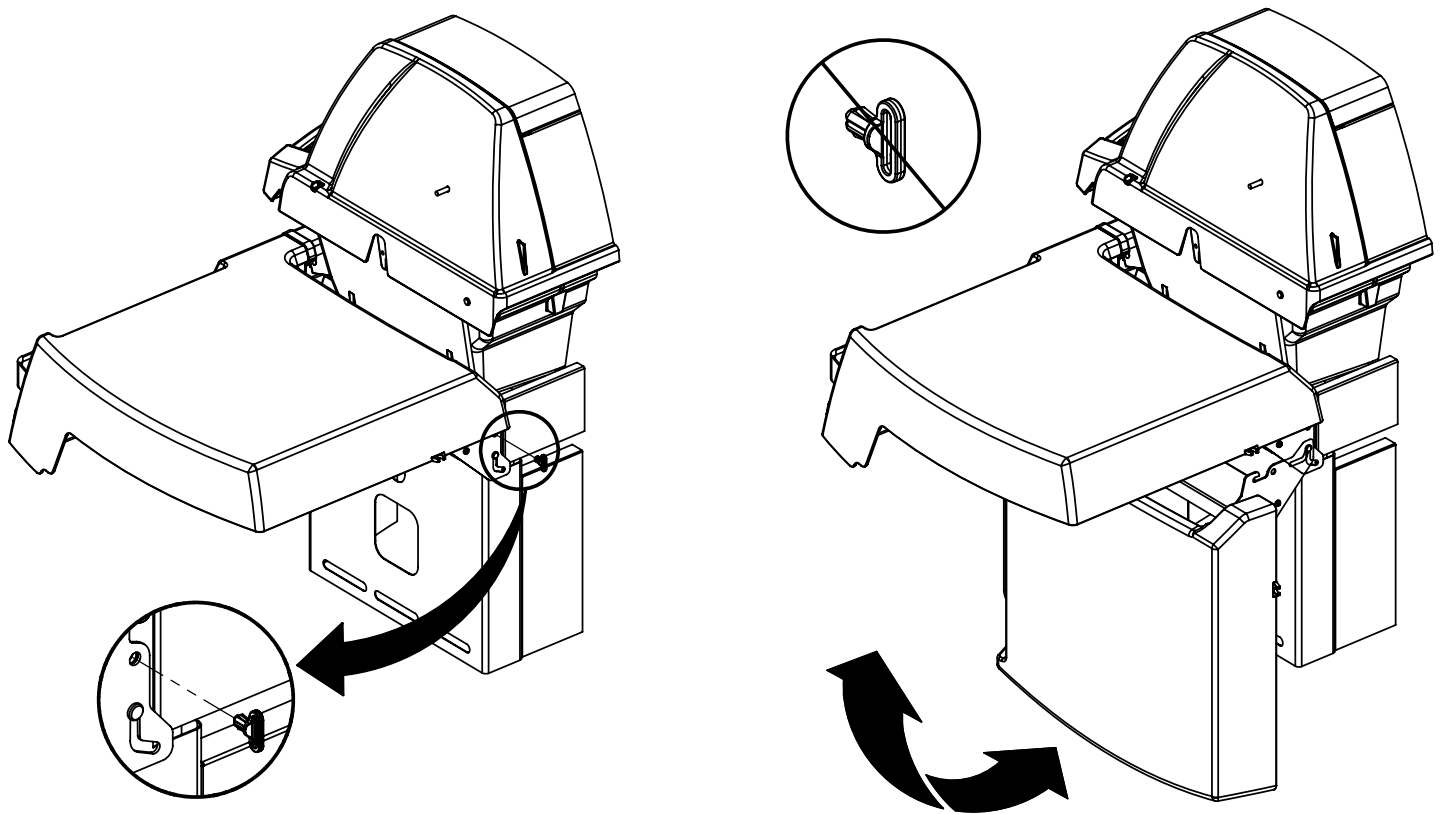
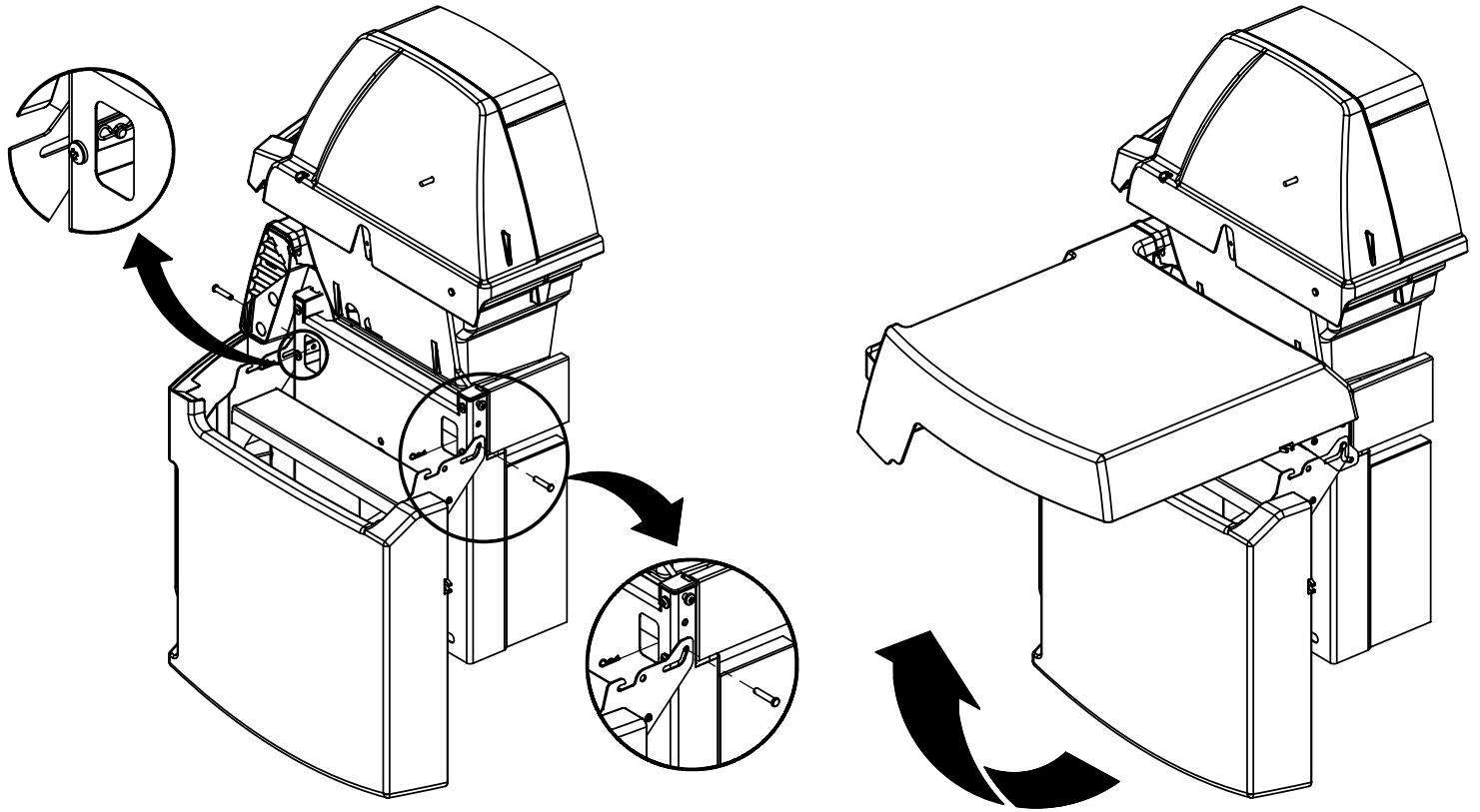


7

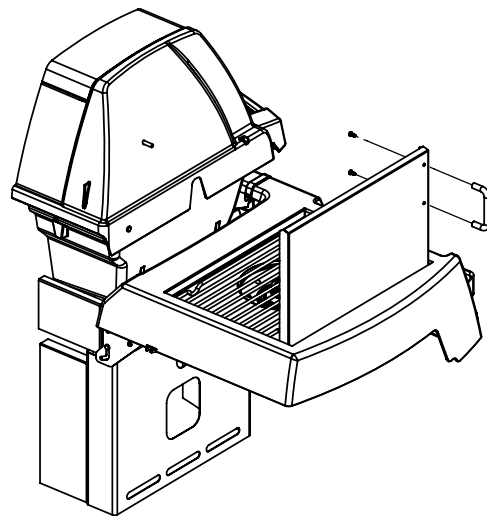
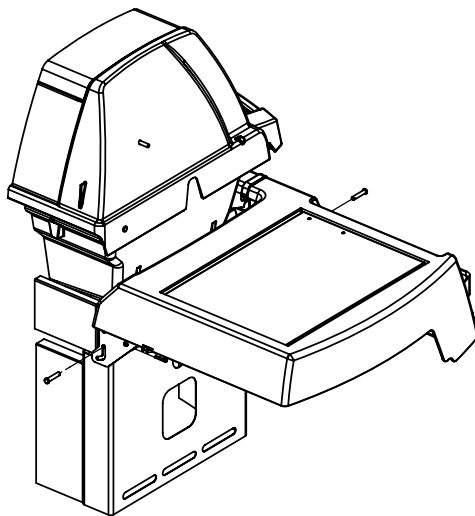
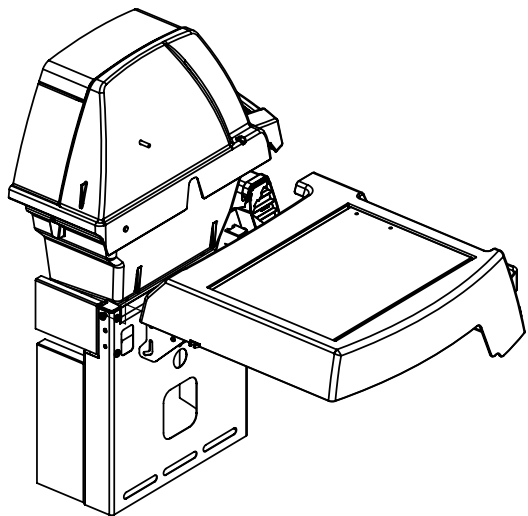
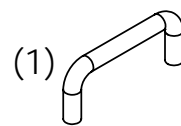
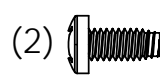
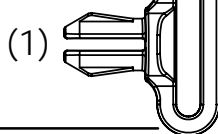
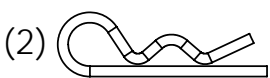
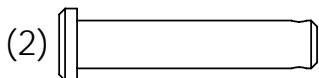


8

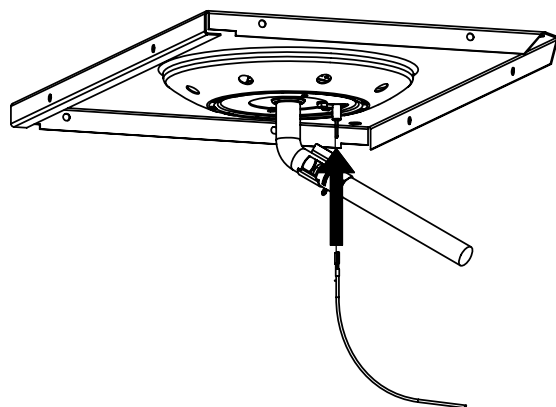
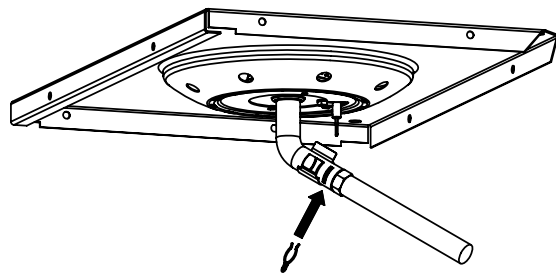
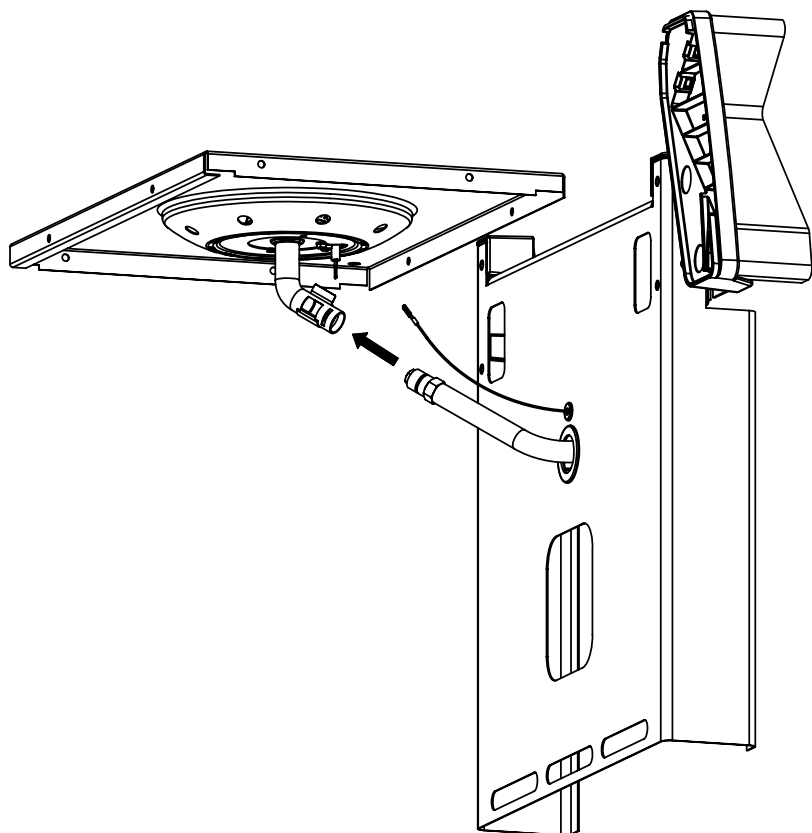
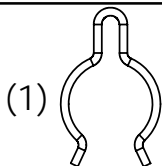
(2)  (2)  (1) 



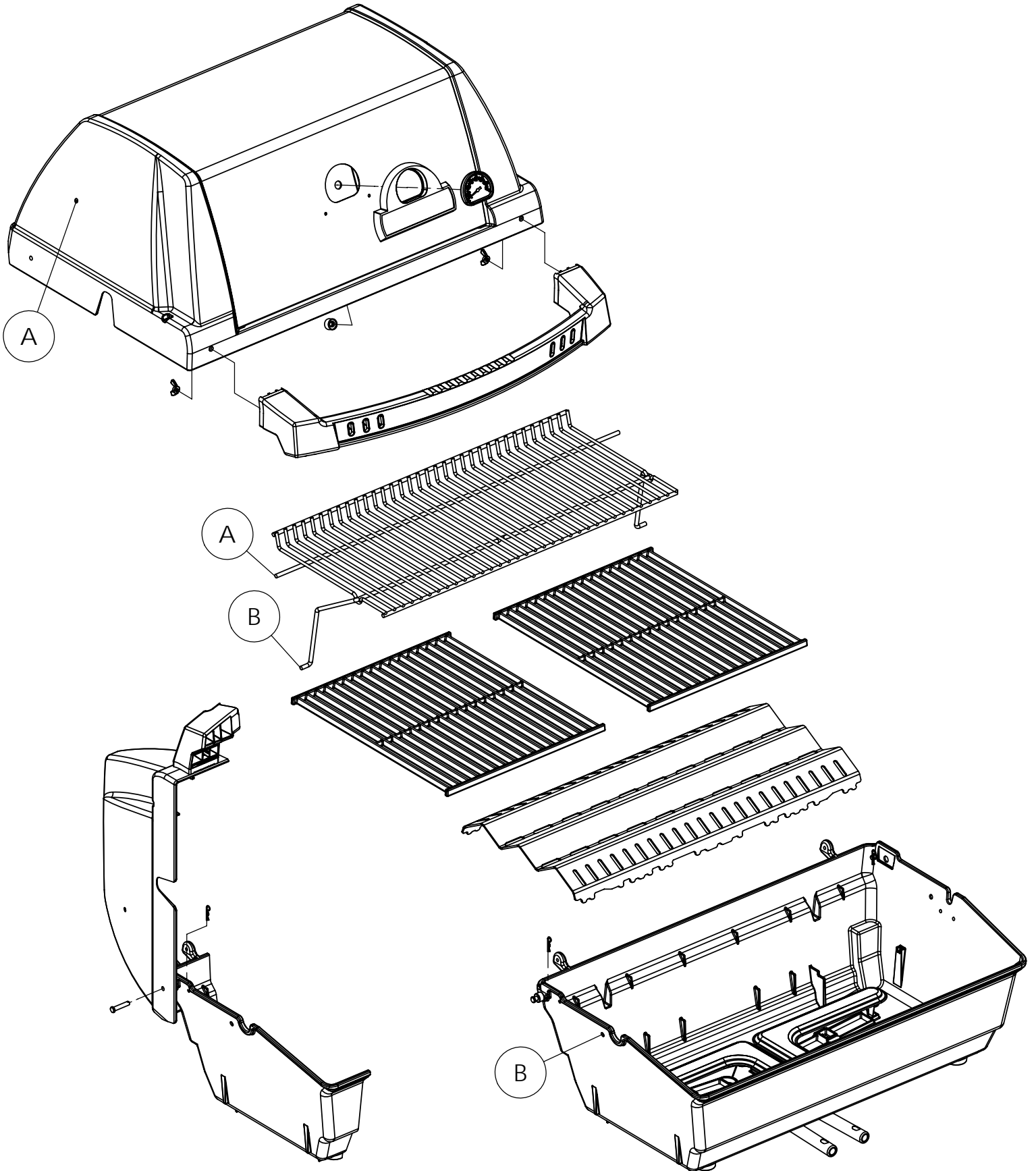
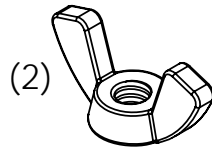
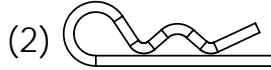
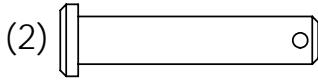
9



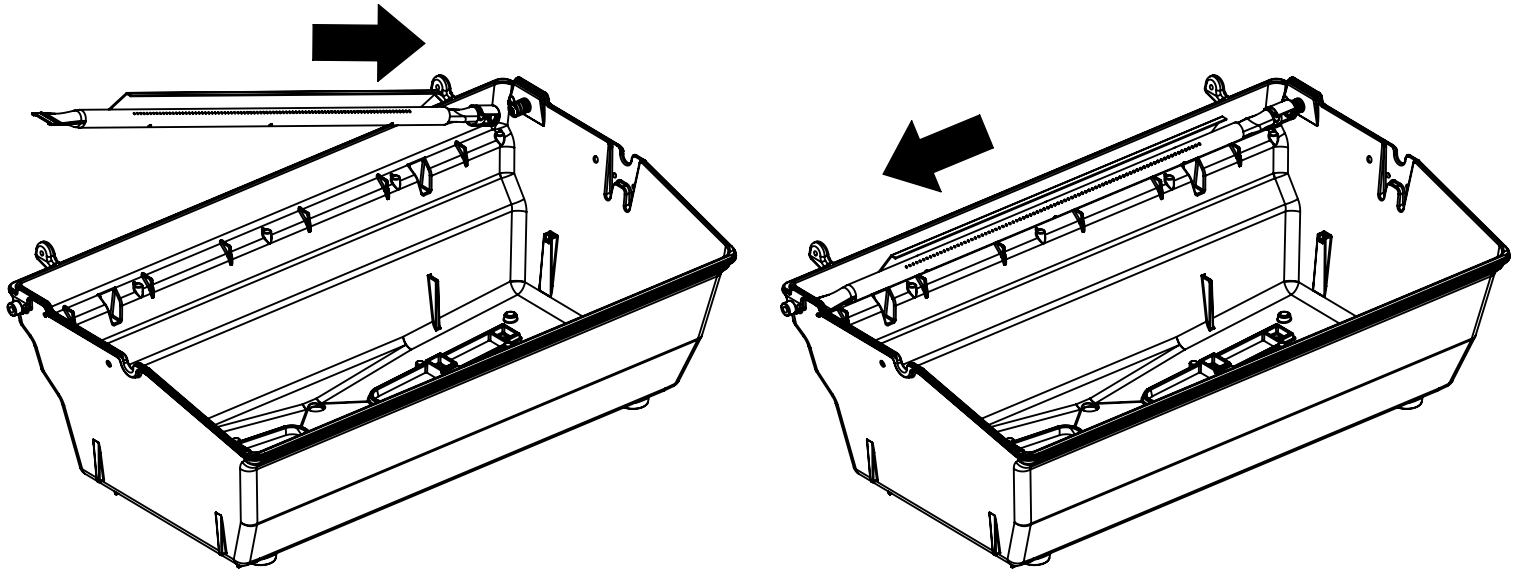
10



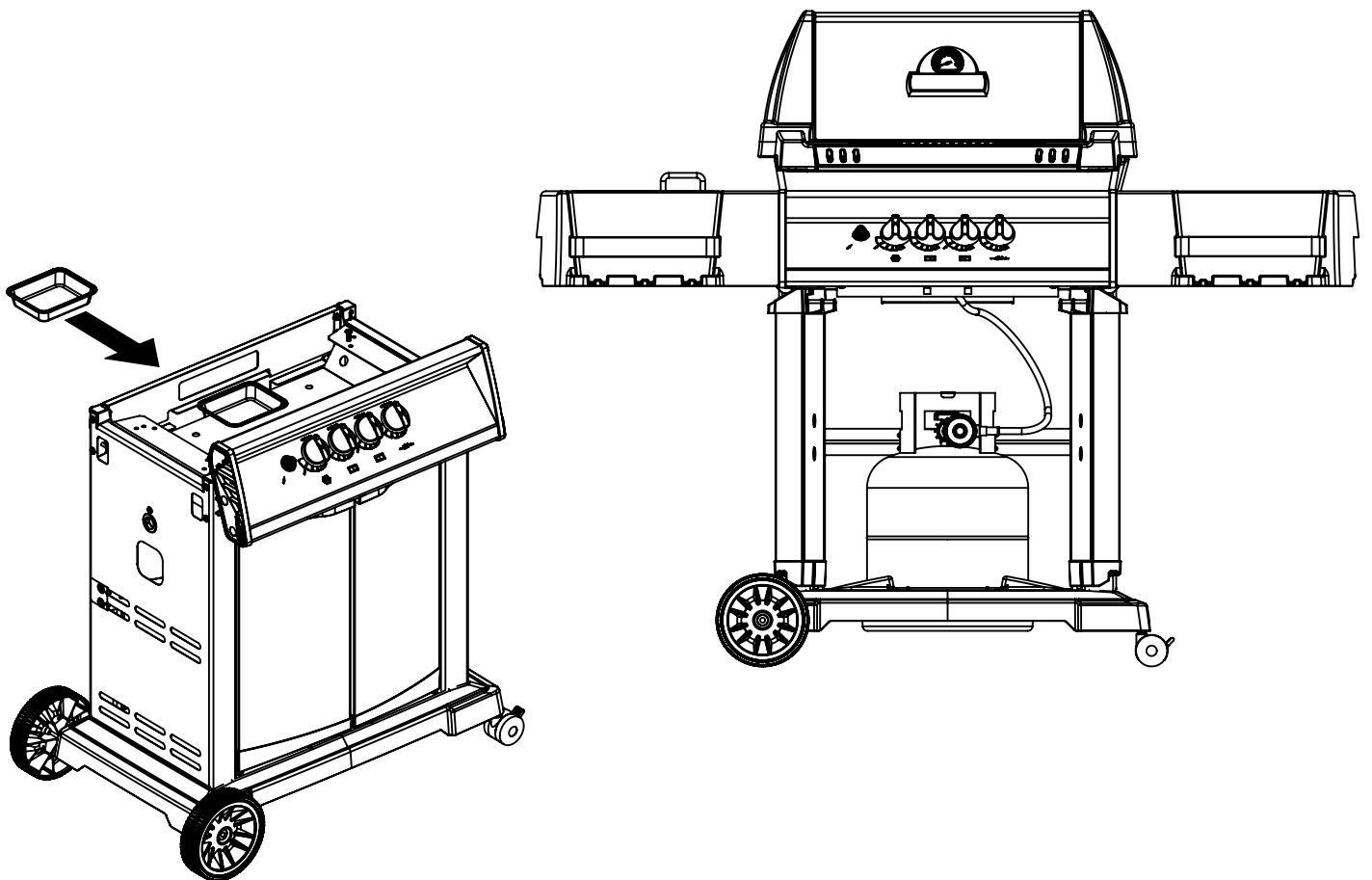
11



12



13



PARTS LIST / LISTE DES PIÈCES / TEILELISTE

KEY #	ITEM #	DESCRIPTION	DESCRIPTION	9453-54	9453-64	9453-64C	9459-34	9455-84
				9453-57	9453-67	9453-67C	9459-37	9455-87
1	34120194	CASTING BOTTOM	FOND DU FOYER	1	1	1	1	1
2	10473-E392	CASTING TOP	COUVERCLE DU GRIL	1	1	1	1	1
3	10081-BK630	NAMEPLATE	PLAQUE D'IDENTIFICATION	1	1	1	1	1
4	10958-E400	TOP CASTING INSERT	PANNEAU DE COUVERCLE	1	1	1	1	1
5	10571-6	HEAT INDICATOR	INDICATEUR DE CHALEUR	1	1	1	1	1
6	10240-15	HINGE PIN	GOUPILLE DE CHARNIÈRE	6	6	6	6	6
6A	S21237	HINGE SPACER	ENTRETOISE DE CHARNIÈRE	2	2	2	2	2
7	S21233	HITCH PIN CLIP	ATTACHE DE CHEVILLE	6	6	6	6	6
9	10225-E404	GRID	GRILLE	•	•	•	2	•
	10225-T436	GRID	GRILLE	2	2	2	•	2
10	10222-T425	FLAV-R-WAVE	FLAV-R-WAVE	1	1	1	1	1
11	10225-E390	GRID - WARMING RACK	GRILLE	1	1	1	1	1
15	10390-T501	BURNER/VENTURI ASSY	ENSEMBLE DE BRULEUR	1	1	1	1	1
17	10342-244	IGNITOR	ALLUMEUR	1	•	•	1	•
	10342-245	IGNITOR	ALLUMEUR	•	1	1	•	1
18	10342-T301	ELECTRODE	ELECTRODE	1	1	1	1	1
21	10440-T50	CONTROL ASSY	SOUPAPE	1/0	•	•	•	•
	10440-T51	CONTROL ASSY	SOUPAPE	0/1	•	•	•	•
	10440-T64	CONTROL ASSY	SOUPAPE	•	•	•	1/0	•
	10440-T65	CONTROL ASSY	SOUPAPE	•	•	•	0/1	•
	10442-T52	CONTROL ASSY	SOUPAPE	•	1/0	1/0	•	•
	10442-T53	CONTROL ASSY	SOUPAPE	•	0/1	0/1	•	•
	10442-T76	CONTROL ASSY	SOUPAPE	•	•	•	•	1/0
	10442-T77	CONTROL ASSY	SOUPAPE	•	•	•	•	0/1
21A	S13470-091	HOSE - SIDE BURNER - LP	TUYAU DU BRULEUR LATERAL PL	•	1/0	1/0	•	1/0
	S13470-132	HOSE - SIDE BURNER - NG	TUYAU DU BRULEUR LATERAL GN	•	0/1	0/1	•	0/1
	Y-11230	COTTER PIN	ATTACHE DE CHEVILLE	•	1	1	•	1
21B	10110-39	TUBE-REAR BURNER ASSY	TUBE DE BRÛLEUR ARRIÈRE	•	•	•	1	1
22	10114-20	HOSE & REGULATOR LP – QCC1	TUYAU ET REGULATEUR PL – QCC1	1/0	1/0	1/0	1/0	1/0
	10111-K45	HOSE NATURAL GAS	TUYAU (GAZ NAUTREL)	0/1	0/1	0/1	0/1	0/1
23	10472-K37	CONTROL KNOB	BOUTON DE CONTROLE	•	•	•	3	•
	10472-K431	CONTROL KNOB	BOUTON DE CONTROLE	2	3	3	•	4
29	10156-E30	HEAT SHIELD	ÉCRAN THERMIQUE	1	1	1	1	1
30	10194-E33	CONTROL COVER	PANNEAU DE CONTROLE	1	•	•	•	•
	10194-E35	CONTROL COVER	PANNEAU DE CONTROLE	•	1	•	•	•
	10194-E35C	CONTROL COVER	PANNEAU DE CONTROLE	•	•	1	•	•
	10194-E37C	CONTROL COVER	PANNEAU DE CONTROLE	•	•	•	1	•
	10194-E39	CONTROL COVER	PANNEAU DE CONTROLE	•	•	•	•	1
31	10711-E32	EDGE CAP - CONTROL COVER	PAC DE BORD	1	1	1	1	1
32	10711-E31	EDGE CAP - CONTROL COVER	PAC DE BORD	1	1	1	1	1
33	10184-R80	RADIATION SHIELD	ÉCRAN DE CHALEUR	1	1	1	1	1
35	10184-E401	SUPPORT-CASTING-LEFT	SUPPORT GAUCHE DU FOYER	1	1	1	1	1
36	10184-E411	SUPPORT-CASTING-RIGHT	SUPPORT DROIT DU FOYER	1	1	1	1	1
37	10184-E751	SUPPORT-SIDE SHELF-LEFT	SUPPORT TABLETTE DE GAUCHE	2	2	2	2	2
37A	10184-E63	SUPPORT-SIDE SHELF-LEFT	SUPPORT TABLETTE DE GAUCHE	2	2	2	2	2
38	10184-E741	SUPPORT-SIDE SHELF-RIGHT	SUPPORT TABLETTE DE DROIT	2	2	2	2	2
38A	10184-E62	SUPPORT-SIDE SHELF-RIGHT	SUPPORT TABLETTE DE DROIT	2	2	1	2	2
39	10956-E561	BRACE-REAR	SUPPORT ARRIERE	1	1	1	1	1
40	10958-E81	BASE	TABLETTE INFÉRIEURE	1	1	1	1	1
41	10956-E571	BRACE-FRONT	SUPPORT AVANT	1	1	1	1	1
42	10958-E79	DOOR	PORTE	2	2	2	2	2
43	10958-E761	SIDE PANEL BLK	PANNEAU LATÉRALE	2	2	2	2	2
44	10958-E901	PANEL - REAR	PANNEAU - ARRIÈRE	1	1	1	1	1
45	10184-E801	BRACKET - DOOR CATCH	PARENTHÈSE - CROCHET DE PORTE	1	1	1	1	1
47	10184-E691	SHELF BRACKET	SUPPORT POUR TABLETTE	2	2	2	2	2
50	10711-E75	SHELF - SIDE - RIGHT	PLANCHETTE LATÉRALE – DROIT	1	1	1	1	1
50A	10184-E73	SHELF STRAP	COURROIE - PLANCHETTE	•	•	•	•	2
	10184-E733	SHELF STRAP	COURROIE - PLANCHETTE	2	2	2	2	•
51	10711-E76	SHELF	PLANCHETTE	2	1	1	2	1
	10711-E77	SHELF - SIDE BURNER	PLANCHETTE – BRULEUR DE COTE	•	1	1	•	1

PARTS LIST / LISTE DES PIECES / TEILELISTE

KEY #	ITEM #	DESCRIPTION	DESCRIPTION	9453-54	9453-64	9453-64C	9459-34	9455-84
				9453-57	9453-67	9453-67C	9459-37	9455-87
52	10184-E78	DOOR - TOP CAP - LEFT	PORTE - DESSUS - GAUCHE	1	1	1	1	1
53	10184-E76	DOOR - BOTTOM CAP - LEFT	PORTE - LE FOND - GAUCHE	1	1	1	1	1
54	10184-E79	DOOR - TOP CAP - RIGHT	PORTE - DESSUS - DROIT	1	1	1	1	1
55	10184-E77	DOOR - BOTTOM CAP - RIGHT	PORTE - LE FOND - DROIT	1	1	1	1	1
56	10892-7G	WHEEL	ROUE	2	2	2	2	2
68	S21362	SPRING	RESSORT	•	•	•	1	1
69	S13005	BURNER ROTISSERIE	BRÛLEUR DE TOURNEBROCHE	•	•	•	1	1
70	Y-11990	HEX NUT	ÉCROU	•	•	•	1	1
71	10696-109	REARBURNER-ORIFICE LP	ORIFICE DU BRULEUR ARRIERE PG	•	•	•	1/0	1/0
	10696-160	REARBURNER-ORIFICE NG	ORIFICE DU BRULEUR ARRIERE GN	•	•	•	0/1	0/1
72	S21420	PUSH NUT	POUSSE ECROU	2	2	2	2	2
74	S21084	SCREW - #14 x 3/4	VIS - #14 x 3/4	12	12	12	12	12
75	10338-390A	HANDLE	POIGNÉE	•	•	•	1	•
	10338-391A	HANDLE	POIGNÉE	1	1	1	•	1
75A	10184-E706C	STRAP - HANDLE	COURROIE - POIGNÉE	1	1	1	•	1
78	10892-15	CASTOR	ROULETTES	2	2	2	2	2
79	Y-11561	BOLT - 1/4-20 x 1 3/4	BOULON - 1/4-20 X 1 3/4	8	8	8	8	8
80	Y-11546	SCREW - 1/4-20 X 5/8	VIS - 1/4-20 X 5/8	6/4	6/4	6/4	6/4	6/4
81	Y-11545	SCREW - 1/4-20 X 1 3/8	VIS - 1/4-20 X 1 3/8	4	4	4	4	4
82	Y-12673	SHELF - LOCK PIN	ÉTAGÈRE - GOUPILLE DE SERRURE	2	2	2	2	2
82A	Y-12855	BOLT - 1/4-20 X 3/8	BOULON - 1/4-20 X 3/8	2	2	2	2	2
83	S21014	BOLT - 1/4-20 X 3/4	BOULON - 1/4-20 X 3/4	6	6	6	6	6
84	S15170	AXLE	ESSIEU	1	1	1	1	1
87	Y-11793	NUT - 1/4-20	ECROU - 1/4-20	24	24	24	24	24
88	Y-11598	WING NUT - 1/4-20	ECROU - 1/4-20	2	2	2	2	2
89	Y-12860	SCREW - 1/4-20 X 1 3/8	VIS - 1/4-20 X 1 3/8	8/4	8/4	8/4	8/4	8/4
96	S21125	SCREW - 8 X 1/2	VIS - 8 X 1/2	4	4	4	4	4
98	S21124	SCREW - 8 X 1/2	VIS - 8 X 1/2	18	18	18	18	18
98A	Y-12643	SCREW - 8 X 1/2	VIS - 8 X 1/2	12	12	12	12	12
99	Y-12646	SCREW - SHOULDER - 8 X 1/2	VIS - 8 X 1/2	•	2	2	•	2
104	Y-12835	SCREW - 6-32 X 1/4	VIS - 6-32 X 1/4	•	2	2	•	2
105	Y-29307	NUT - 10-24	ECROU - 10-24	•	4	4	•	4
108	PB20-60	LID HANDLE	POIGNÉE	•	1	1	•	1
109	S21136	SCREW - 8-32 X 3/8	VIS - 8-32 X 3/8	1	3	3	1	3
110	10225-T10	GRID	GRILLE	•	1	1	•	1
111	10390-E10	SIDE BURNER	BRULEUR DE COTE	•	1	1	•	1
113	10342-T16	ELECTRODE - SIDE BURNER	ELECTRODE - BRULEUR DE COTE	•	1	1	•	1
114	10393-K40	COVER - SIDE BURNER	COUVERCLE LATÉRAL	•	1	1	•	1
115	Y-29304	SCREW - 10-24 X 3/8	VIS - 10-24 X 3/8	4	8	8	4	8
117	10393-R50	SHELF - SIDE BURNER	SUPPORT DE BRULEUR DE COTE	•	1	1	•	1
123	S15115	GREASE PAN - DISPOSABLE	CUVETTE A GRAISSE	1	1	1	1	1
125	Y-12220	BUSHING	DOUILLE	•	1	1	•	1
135	Y-12119	3/8 HEYCO BUSHING	DOUILLE DE 3/8 HEYCO	•	1	1	•	1
139	10184-E211	TANK CLAMP	PINCE-CITERNES	1/0	1/0	1/0	1/0	1/0
140	10184-E201	TANK STRAP	SANGLE RÉSERVOIR	1/0	1/0	1/0	1/0	1/0
142	S21255	WASHER	RONDELLE	8/0	8/0	8/0	8/0	8/0
143	Y-11795	LOCK NUT	CROU DE BLOCAGE	2/0	2/0	2/0	2/0	2/0

