

This Owner's Manual is provided and hosted by [Appliance Factory Parts](#).



# Broil King 9625-84 Owner's Manual

[Shop genuine replacement parts for Broil King 9625-84](#)



[Find Your Broil King Grill Parts - Select From 1350 Models](#)

----- Manual continues below part list -----

## Available Replacement Parts for Broil King 9625-84

|                             |  |
|-----------------------------|--|
| <a href="#">18013</a>       | LARGE PROBE HEAT INDICATOR               |
| <a href="#">10081-BK630</a> | NAMEPLATE HI BROIL KING BLACK ZINC       |
| <a href="#">S21124</a>      | SCREW PHCP #8 X 12 +                     |
| <a href="#">10390-E10</a>   | BURNER SIDE 10BTU W/ELEC #8 +            |
| <a href="#">Y-12220</a>     | S/B BUSHING SB 1.375 16 HEY              |
| <a href="#">S15236</a>      | ROTISSERIE MOTOR AC 120V                 |
| <a href="#">S15263</a>      | ROTISSERIE BUSHING                       |
| <a href="#">S15299</a>      | WASHER COUNTERWEIGHT ROTIS               |
| <a href="#">S15270</a>      | ROTISSERIE COUNTERWEIGHT ASSY            |
| <a href="#">S15271</a>      | ROTISSERIE HANDLE +                      |
| <a href="#">10342-246</a>   | IGNITOR ELECTRONIC TRIPLE +              |
| <a href="#">Y-12223</a>     | MAGNET SNAP IN - DOOR                    |
| <a href="#">Y-12222</a>     | MAGNET - DOOR                            |
| <a href="#">23000-253</a>   | SIDE BURNER LID IR SS                    |
| <a href="#">23000-271</a>   | SIDE BURNER BODY BASE                    |
| <a href="#">10342-E13</a>   | ELECTRODE W/WIRE                         |
| <a href="#">S15257</a>      | SPIT ROD ROTISSERIE 33 INCH              |
| <a href="#">10240-20</a>    | DOOR PIN TOP                             |
| <a href="#">10240-19</a>    | DOOR PIN BOTTOM                          |
| <a href="#">27055-901</a>   | GREASE TRAY PORC FORMED 440 +            |
| <a href="#">5S672</a>       | grid, ss wire, 17.375 x 26.25; Grill Mas |
| <a href="#">66024</a>       | grid, ci, 17.375 x 25.5; Huntington      |
| <a href="#">96021</a>       | HEAT PLATE PORCELAIN STEEL               |
| <a href="#">03330</a>       | spark generator                          |
| <a href="#">00475</a>       | heat indicator                           |
| <a href="#">52045-92</a>    | FIREBOX 440 HEAT SHIELD REAR             |
| <a href="#">52315-151</a>   | FIREBOX 440 HOOD PANEL PORC              |
| <a href="#">59005-034</a>   | CONTROL ASSY 4V S/B LP                   |
| <a href="#">59005-037</a>   | CONTROL ASSY 4V S/B NG                   |
| <a href="#">18431</a>       | OEM FLAV R WAVE - BARON                  |

|                            |                                      |
|----------------------------|--------------------------------------|
| <a href="#">21039-911</a>  | CASTER BRACKET BLACK                 |
| <a href="#">20005-000</a>  | HARDWARE BAG STICK & CHAIN SS        |
| <a href="#">10892-23</a>   | CASTER RUBBER 3 INCH W/PLATE         |
| <a href="#">51175-114A</a> | DOOR ASSEMBLY 440 RHS SS             |
| <a href="#">51175-134A</a> | DOOR ASSEMBLY 440 LHS SS             |
| <a href="#">54009-936</a>  | HANDLE BEZEL - CHROME                |
| <a href="#">SP11-25</a>    | STOP BUMPER - SILICONE               |
| <a href="#">10811</a>      | BURNER, PIPE, SS, 16.5 X 1           |
| <a href="#">80012</a>      | regulator and hose READ ADD. INFO    |
| <a href="#">10342-245</a>  | IGNITOR ELECTRONIC DUAL +            |
| <a href="#">08032</a>      | BURNER CROSSOVER BAR, SS             |
| <a href="#">04831</a>      | ELECTRODE WITH WIRE                  |
| <a href="#">10342-T21</a>  | ELECTRODE WIRE S/B 35 INCH           |
| <a href="#">10892-285</a>  | CASTER 3 INCH RUBBER W/LEG LEVEL     |
| <a href="#">11241</a>      | BARON CAST IRON GRID                 |
| <a href="#">23009-951</a>  | SIDE BURNER GRID BLK 330/440/550     |
| <a href="#">53409-138</a>  | SHELF END CAP RHS OR LHS 330/440/550 |
| <a href="#">56144-211</a>  | LID END CAP 440 RHS BLACK            |
| <a href="#">56144-231</a>  | LID END CAP 440 LHS BLACK            |
| <a href="#">59005-014</a>  | CONTROL ASSY 4V LP                   |
| <a href="#">Y-11981</a>    | BOLT CARRIAGE 1/4-20 x 1 UNC         |
| <a href="#">50502</a>      | HEAVY DUTY MEAT FORKS                |
| <a href="#">18631</a>      | OEM BURNER - BARON                   |
| <a href="#">59005-017</a>  | CONTROL ASSY 4V NG                   |
| <a href="#">17000</a>      | CONTROL KNOB - SMALL BLACK           |
| <a href="#">17010</a>      | CONTROL KNOB RESIN LRG BLACK         |
| <a href="#">10111-K45</a>  | HOSE 3/8 INCH ASSEMBLY NG 10 FOOT +  |
| <a href="#">Y-11990</a>    | NUT HEX BRASS 3/8 27 RB LINE         |
| <a href="#">10342-247</a>  | IGNITOR ELECTRONIC +                 |
| <a href="#">21071-13</a>   | DOOR HANDLE 500 GPB                  |
| <a href="#">22001-168</a>  | CONTROL KNOB BEZEL SML               |
| <a href="#">22002-268</a>  | CONTROL KNOB BEZEL LARGE             |
| <a href="#">24005-12AB</a> | LID-HANDLE BENT,                     |

|                           |                                    |
|---------------------------|------------------------------------|
| <a href="#">52809-957</a> | MANIFOLD - REAR BURNER AB          |
| <a href="#">52005-991</a> | WARMING RACK 440 PORC              |
| <a href="#">21035-991</a> | GREASE RAIL 440/500 SABLE BLK      |
| <a href="#">59005-074</a> | CONTROL ASSY 4V S/B R/B LP +       |
| <a href="#">27905-354</a> | BURNER TUBE REAR 500 W/WINDSHIELD  |
| <a href="#">52009-901</a> | GREASE PAN - BLACK HIGH HEAT PAINT |
| <a href="#">27249-904</a> | GREASE SHIELD MODULAR, 6.5 x 6     |
| <a href="#">22025-903</a> | COLLECTOR BOX ASSY 500 430SS       |

# Broil King®

REDDI-BILT BARBECUES

ASSEMBLY MANUAL & PARTS LIST

MANUEL DE MONTAGE & LISTE DE PIÈCES



**Broil King**

Baron 440  
9625-64/67



**Broil King**

Baron 490  
9625-84/87

RETAIN FOR FUTURE REFERENCE

VEUILLEZ CONSERVER POUR REFERENCE ULTERIEURE

1-800-265-2150

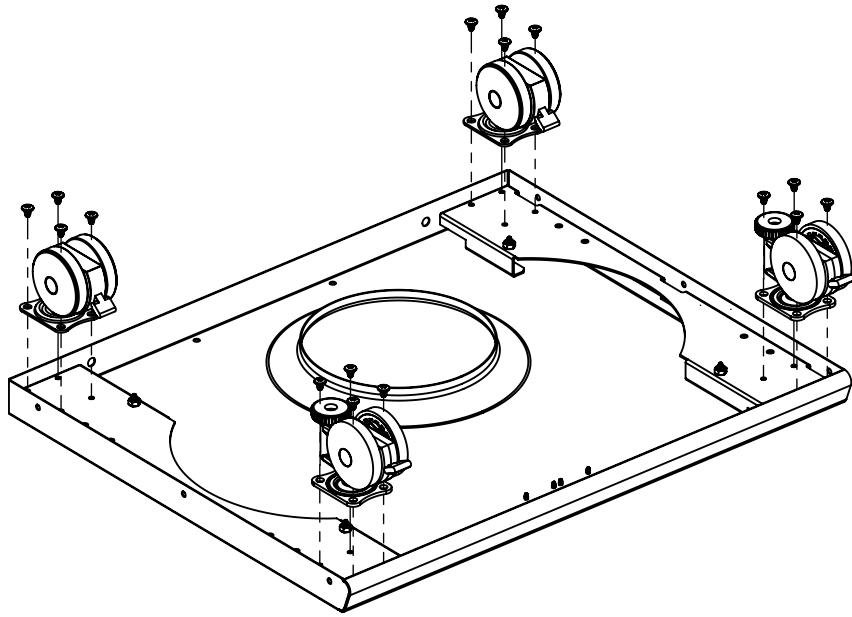
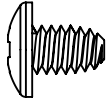
info@omcbbq.com

*Onward*  
SINCE 1906  
**MANUFACTURING COMPANY**  
585 KUMPF DRIVE LIMITED  
WATERLOO, ONTARIO, CANADA  
N2V 1K3

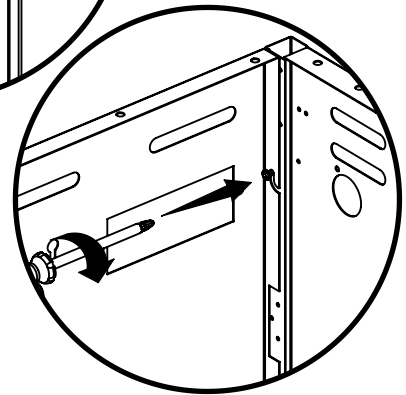
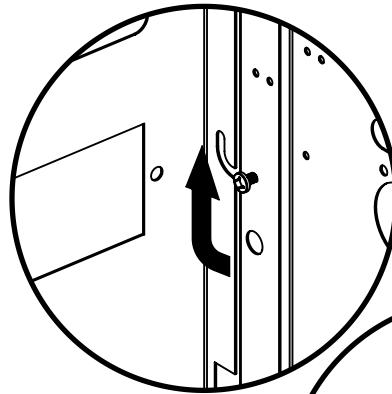
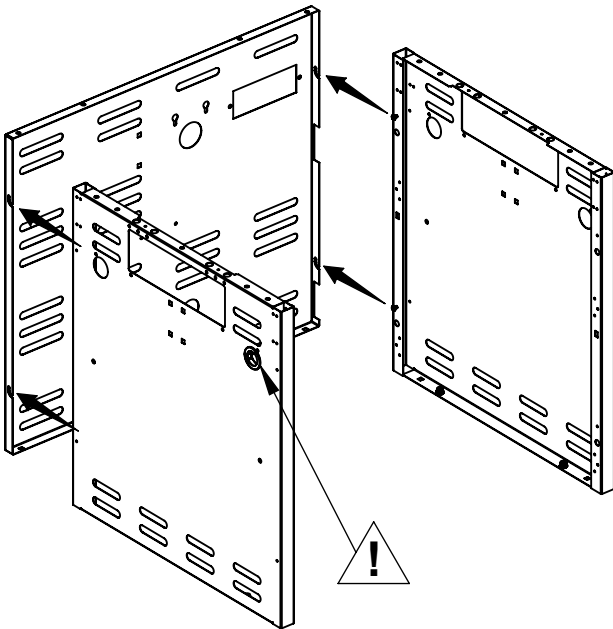
50084-S40 Rev A 01/13

1


(16)

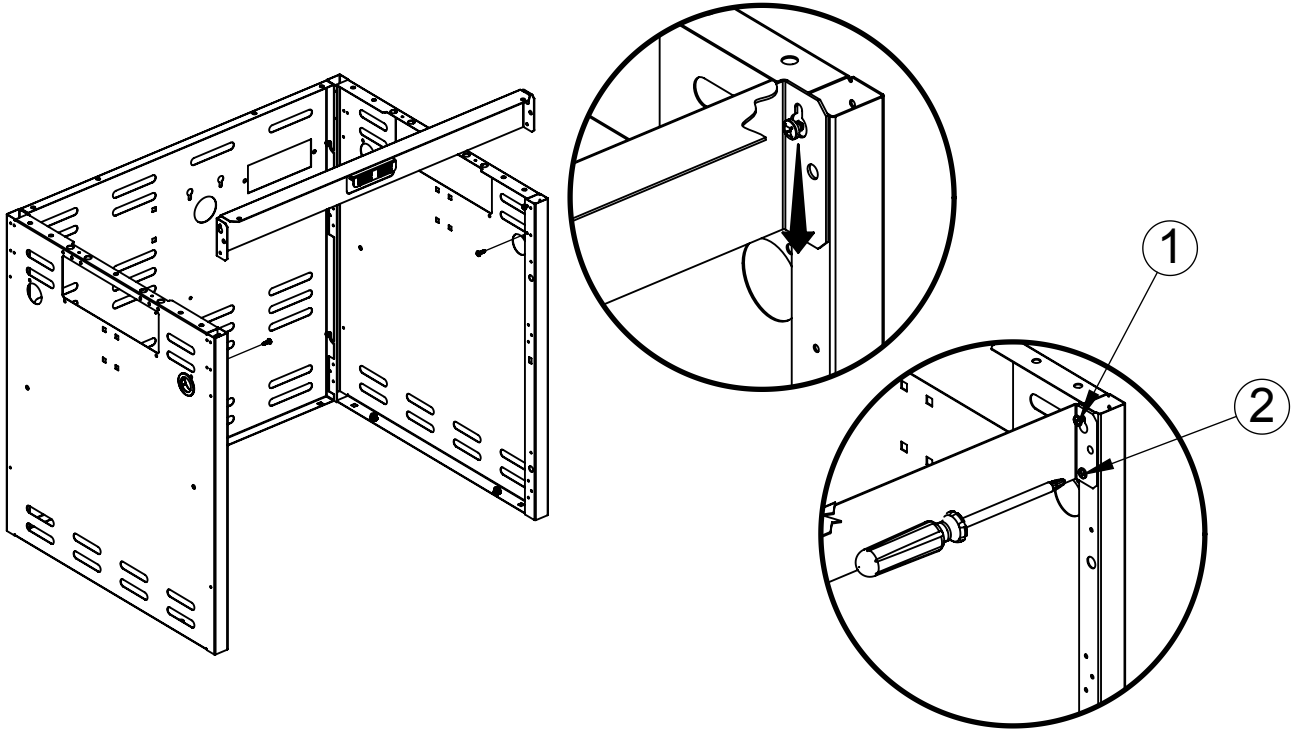


2




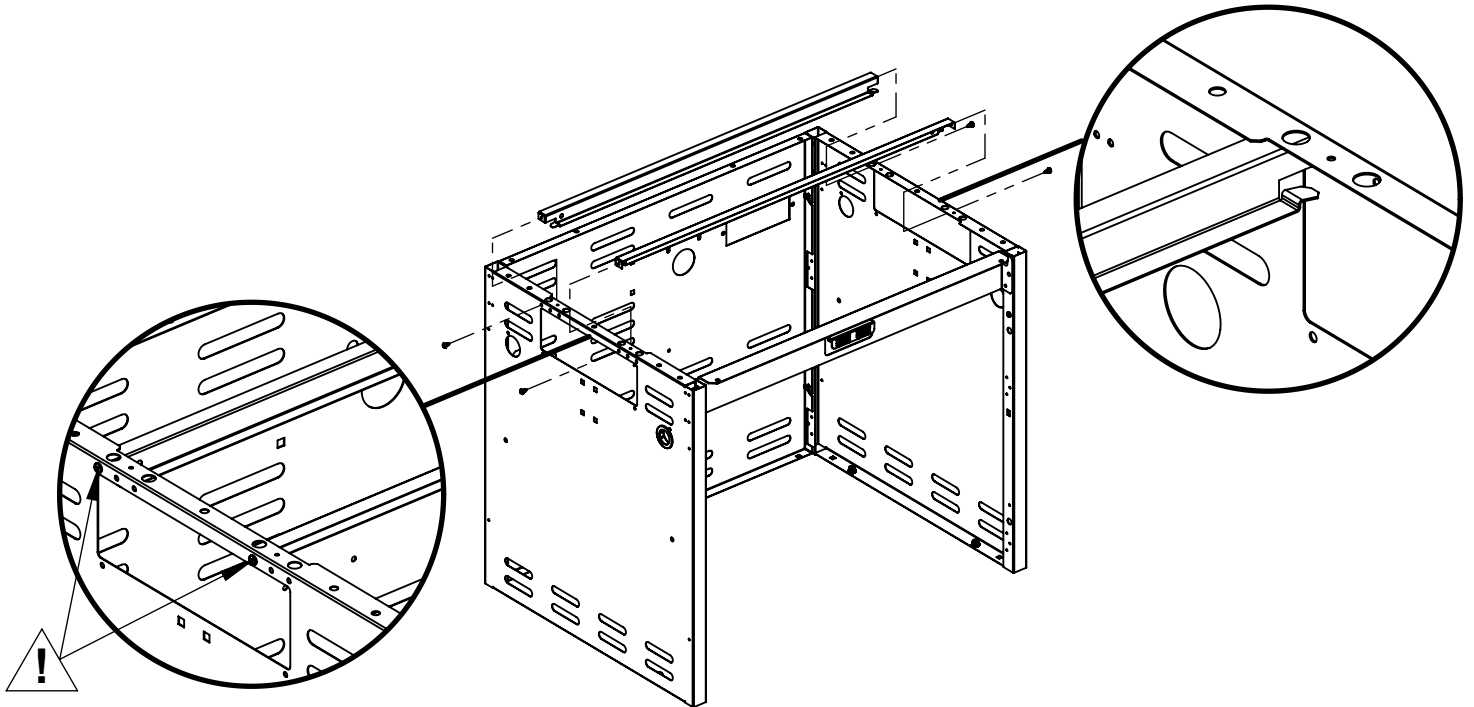
**3**

(2) 

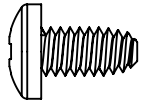


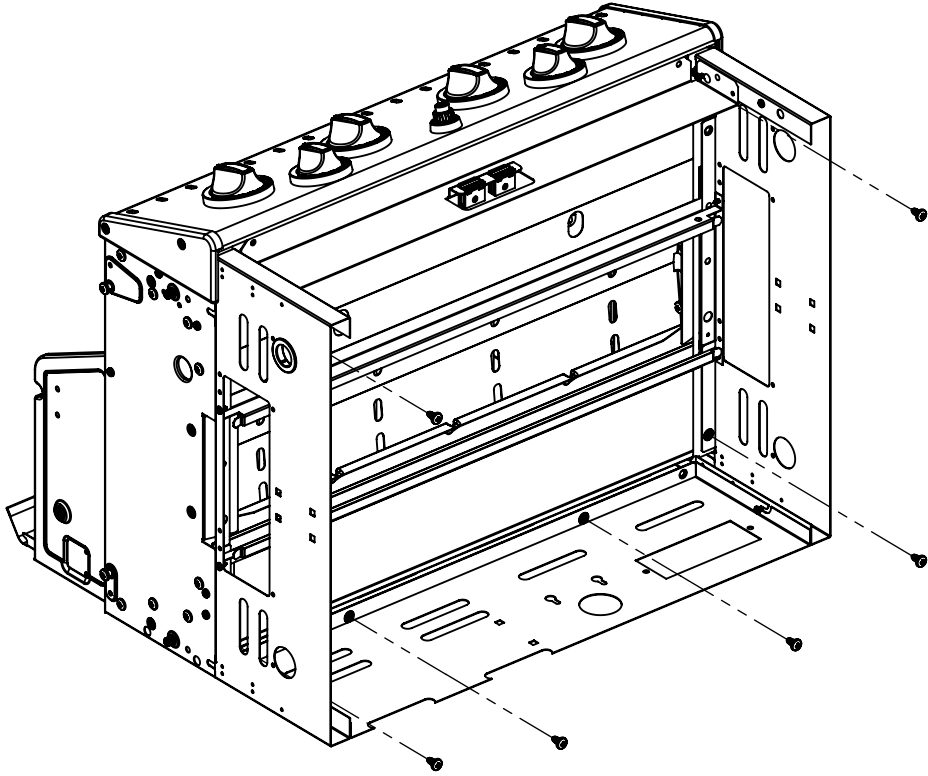
**4**

(4) 

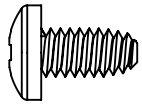


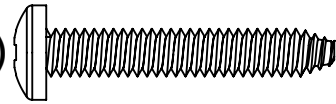
5

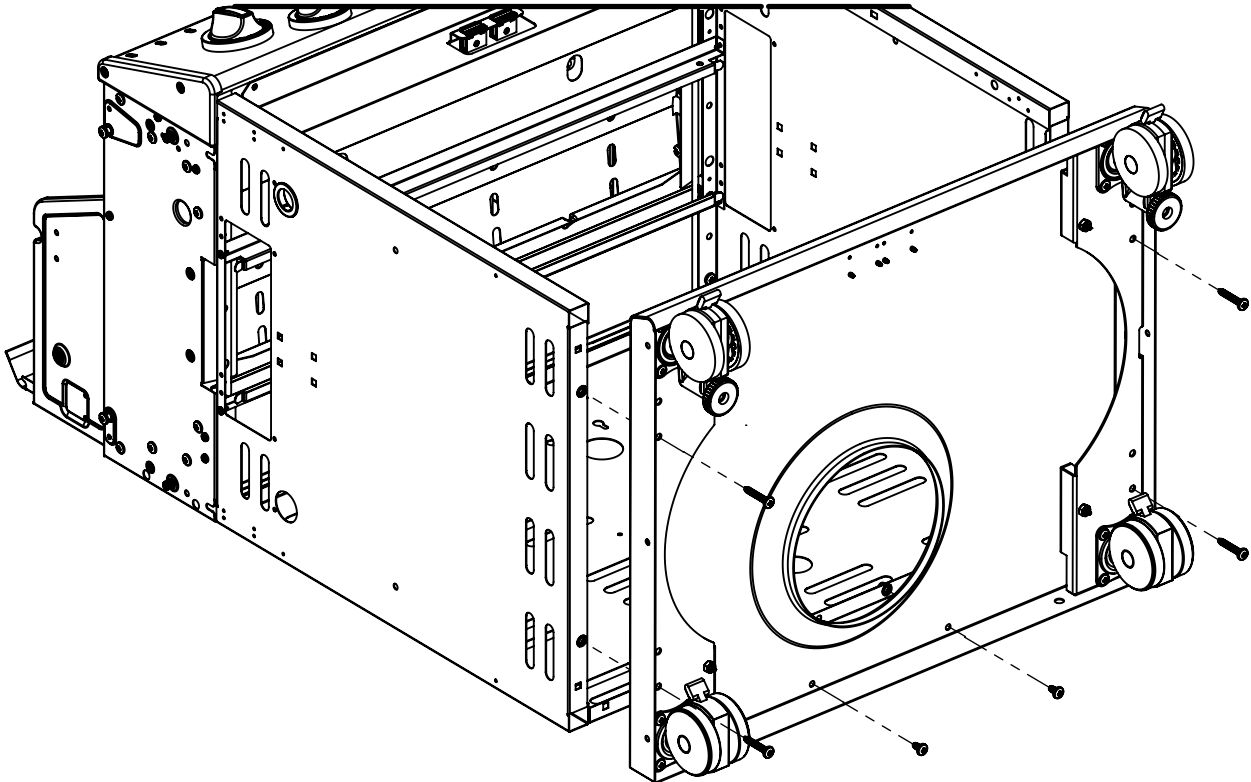
(6) 



6

(2) 

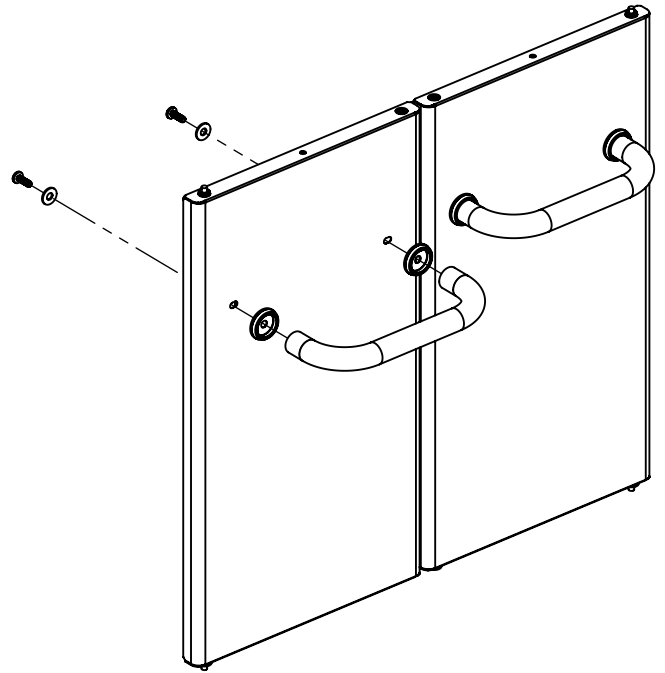
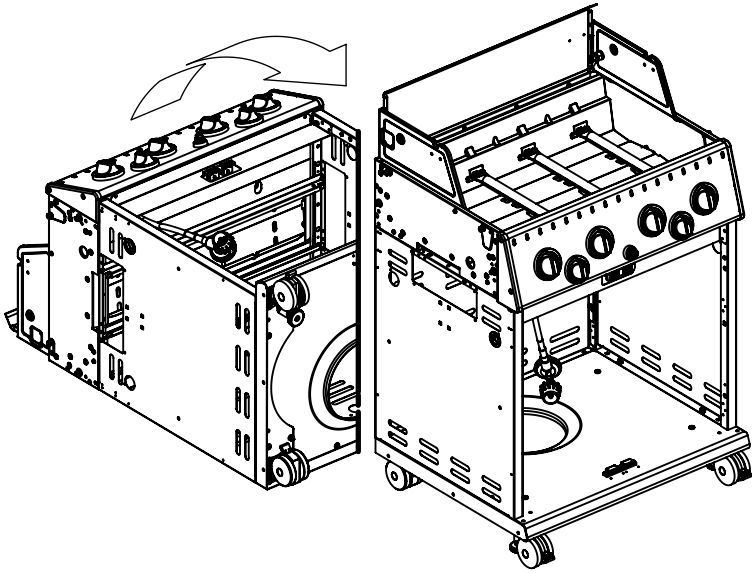
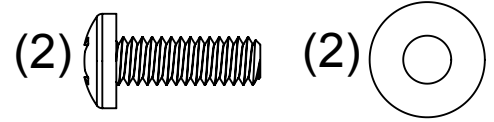
(4) 



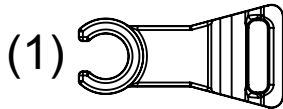
7



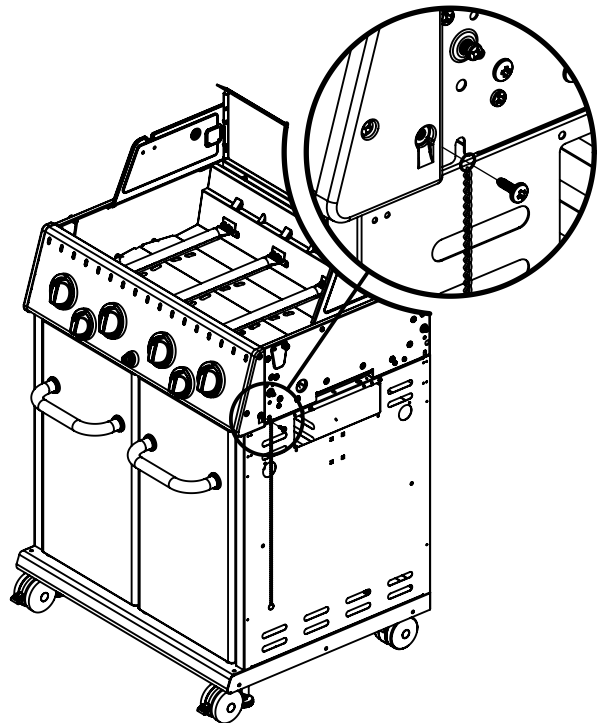
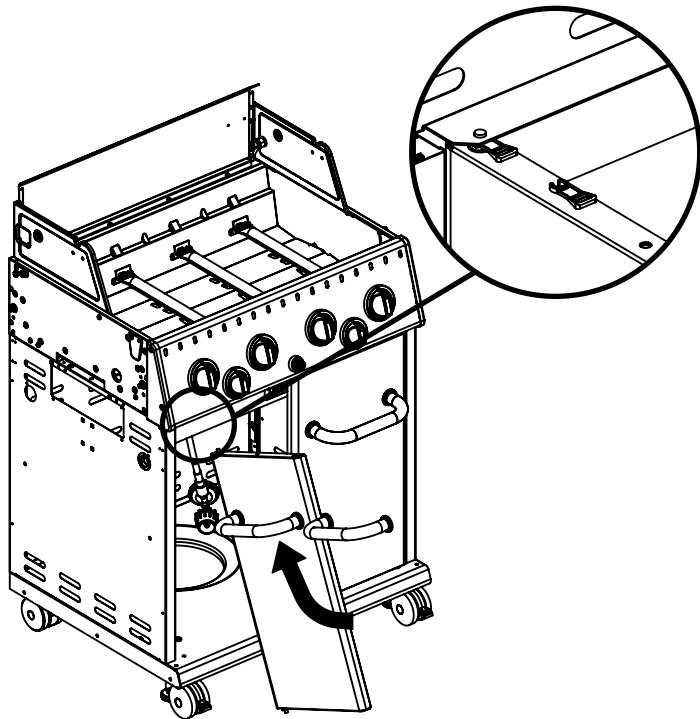
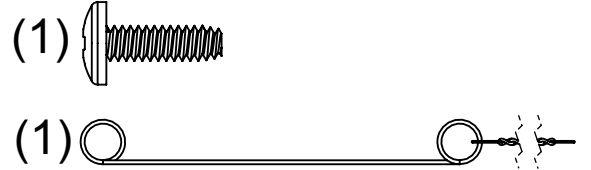
8



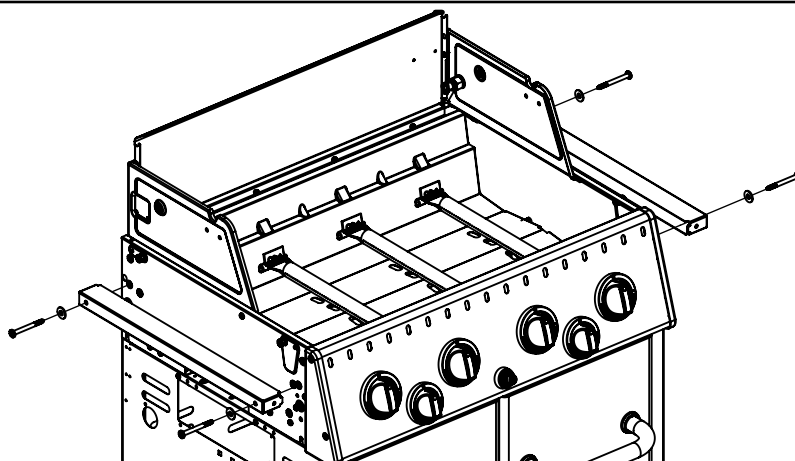
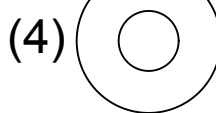
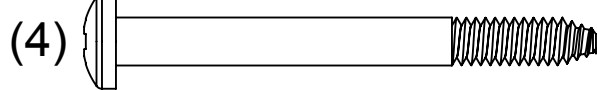
9



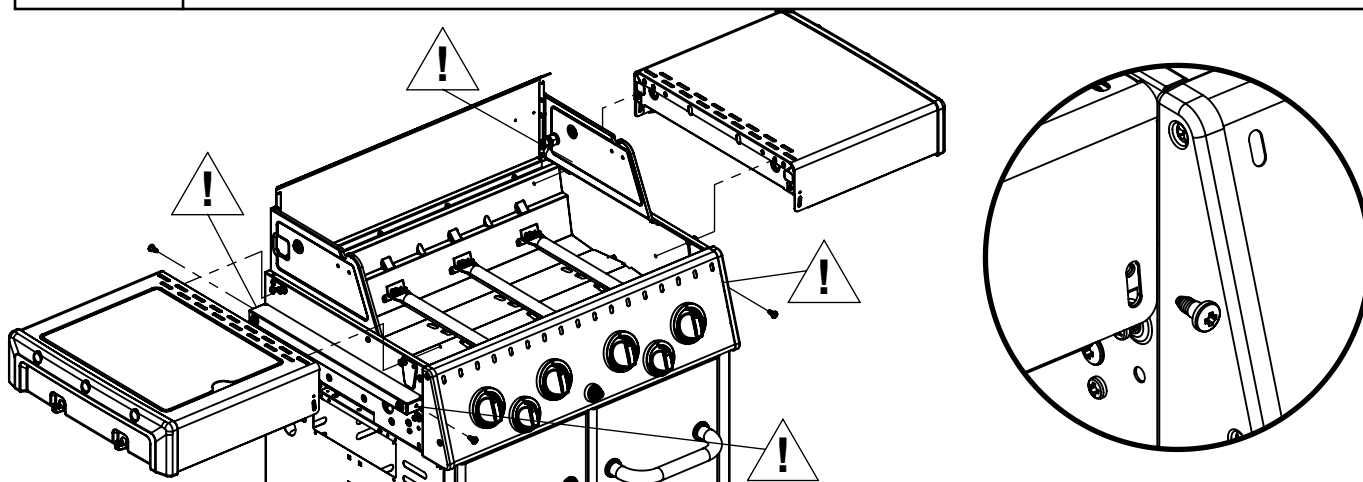
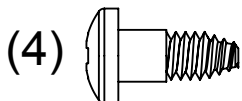
10



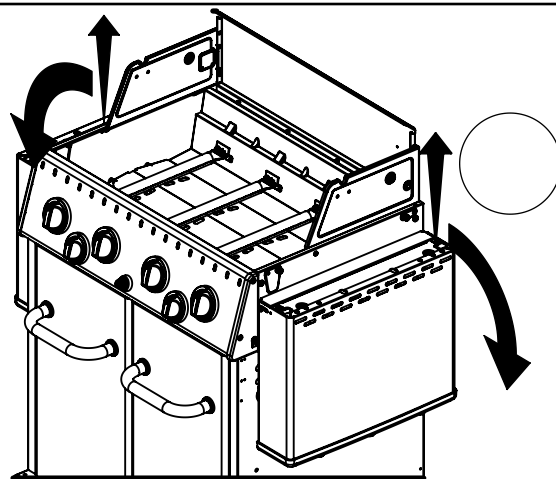
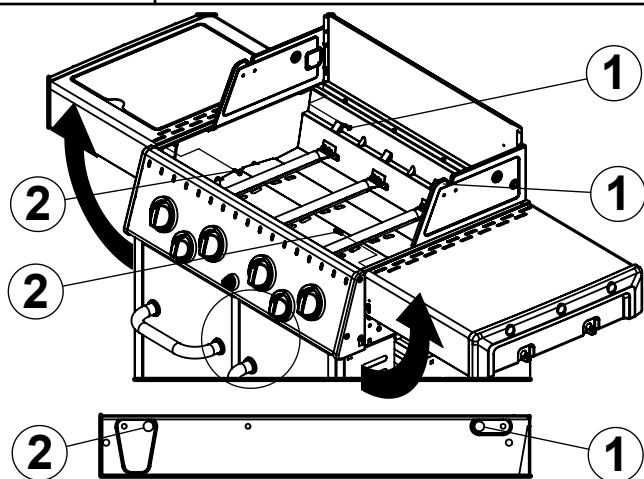
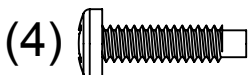
11



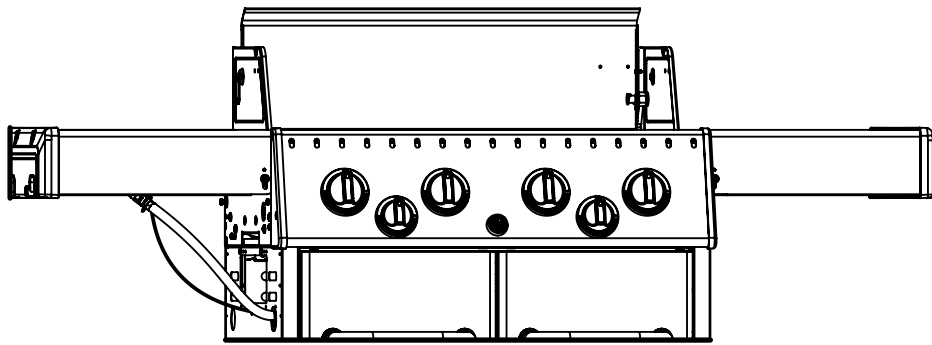
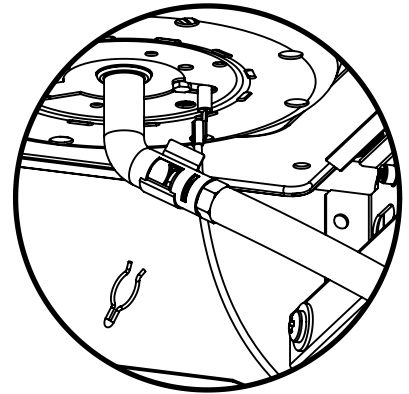
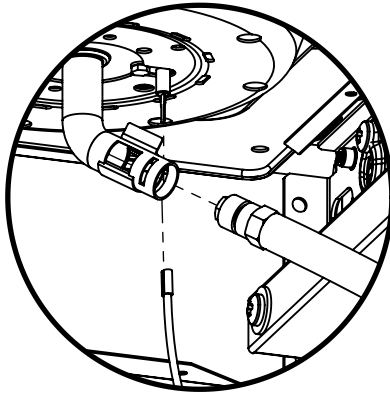
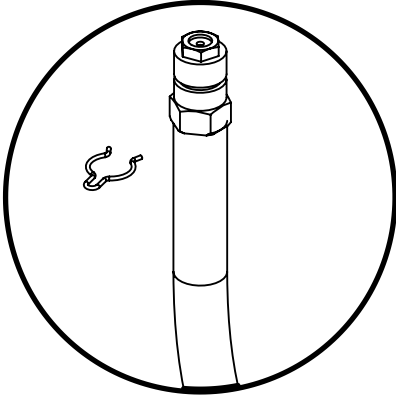
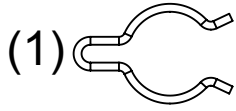
12



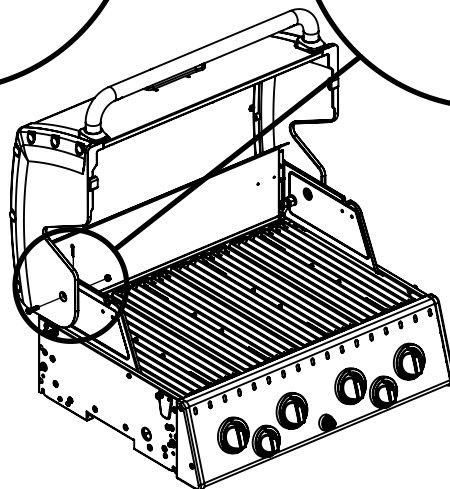
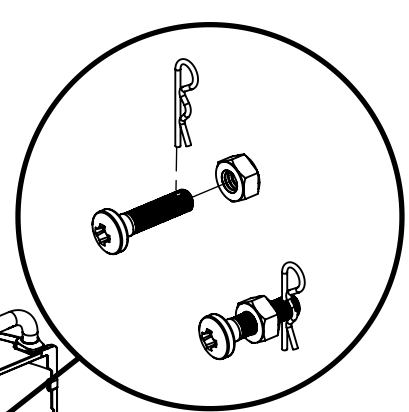
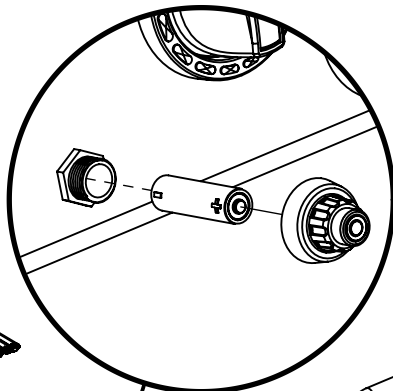
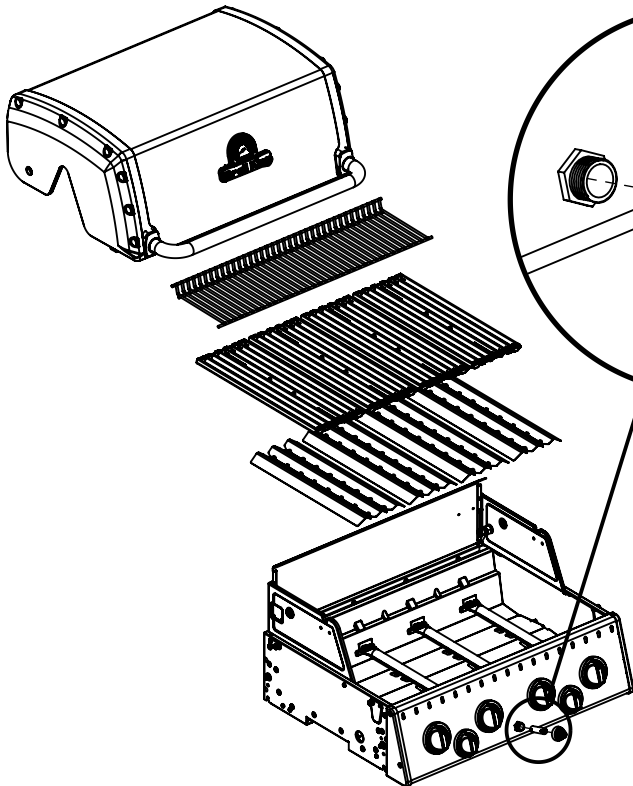
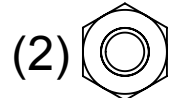
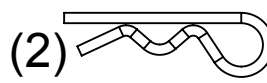
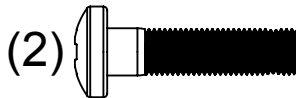
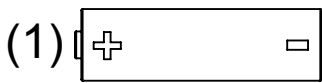
13



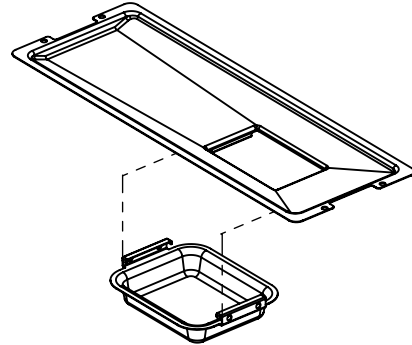
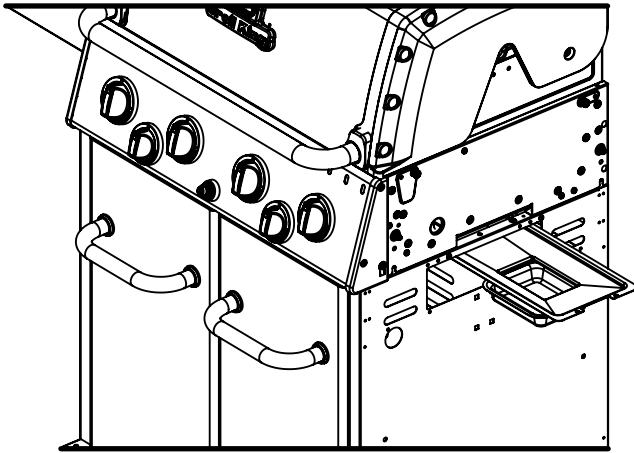
14



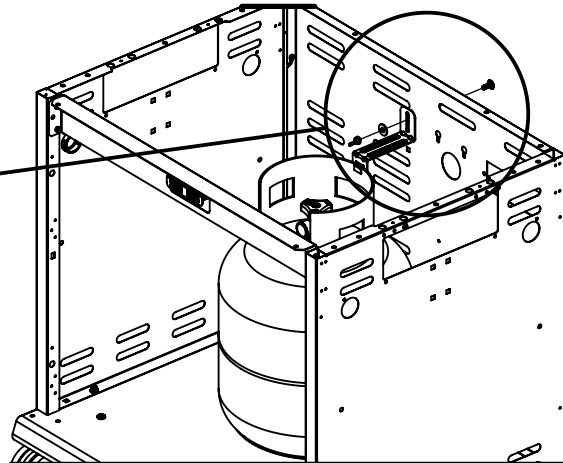
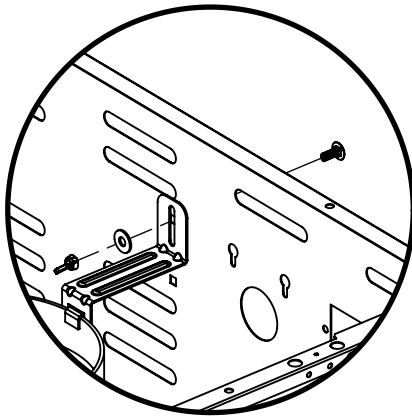
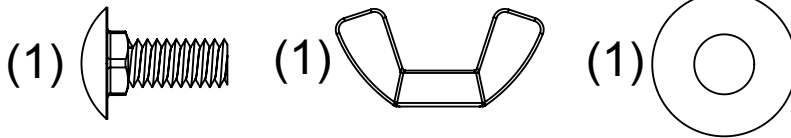
15



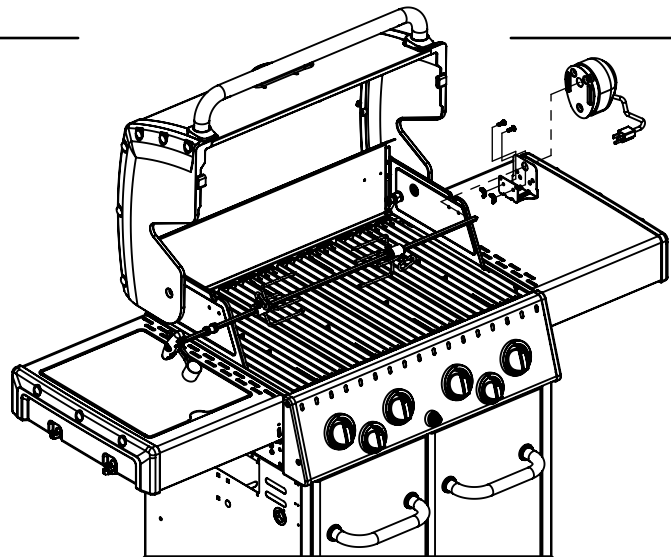
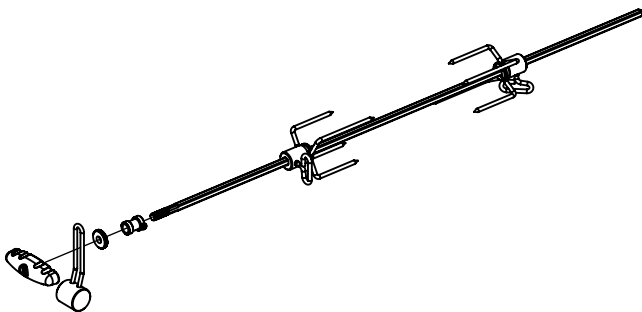
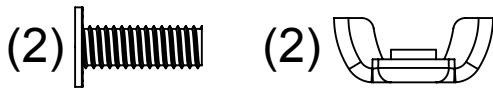
16



17



18



| <u>KEY #</u> | <u>ITEM #</u> | <u>DESCRIPTION</u>          | <u>DESCRIPTION</u>                       | <u>9625-64/67</u> | <u>9625-84/87</u> |
|--------------|---------------|-----------------------------|--|-------------------|-------------------|
| 1            | 56144-231     | LID - SIDE PANEL - LEFT     | COUVERCLE - PANNEAU LATERAL - GAUCHE     | 1                 | 1                 |
| 2            | 56144-211     | LID - SIDE PANEL - RIGHT    | COUVERCLE - PANNEAU LATERAL - DROITE     | 1                 | 1                 |
| 3            | 56345-214     | LID - OUTER PANEL           | COUVERCLE - PANNEAU EXTERIEUR            | 1                 | 1                 |
| 4            | 56245-21      | LID - INNER PANEL           | COUVERCLE - PANNEAU INTÉRIEUR            | 1                 | 1                 |
| 5            | 24005-12A     | HANDLE                      | POIGNÉE                                  | 1                 | 1                 |
| 6            | 54009-936     | HANDLE BEZEL                | MONTURE DE POIGNÉE                       | 2                 | 2                 |
| 8            | 10081-BK630   | NAMEPLATE                   | PLAQUE D'IDENTIFICATION                  | 1                 | 1                 |
| 9            | 10571-6       | HEAT INDICATOR              | INDICATEUR DE CHALEUR                    | 1                 | 1                 |
| 11           | 52114-131R    | PANEL - SIDE UPPER - LEFT   | PANNEAU - LATERAL SUPÉRIEUR - GAUCHE     | 1                 | 1                 |
| 12           | 52114-111R    | PANEL - SIDE UPPER - RIGHT  | PANNEAU - LATERAL SUPÉRIEUR - DROITE     | 1                 | 1                 |
| 15           | 52006-001P    | COOKBOX ASSEMBLY            | COOKBOX ASSEMBLEE                        | 1                 | 1                 |
| 17           | 27245-904     | GREASE SHEILD               | PROTECTION CONTRE LA GRAISSE             | 1                 | 1                 |
| 18           | 52045-91      | HEAT SHEILD - FRONT         | PROTECTION CONTRE LA CHALEUR - FRONTAL   | 1                 | 1                 |
| 19           | 52045-92      | HEAT SHEILD - REAR          | PROTECTION CONTRE LA CHALEUR - INTÉRIEUR | 1                 | 1                 |
| 22           | 52305-121R    | PANEL - REAR                | PANNEAU - RECIPIENT                      | 1                 | 1                 |
| 23           | 52315-151     | PANEL - HOOD                | PANNEAU DE LA CUVE                       | 1                 | 1                 |
| 25           | 52909-104LP   | BURNER - MAIN               | BRÛLEUR - PRINCIPAL                      | 4/•               | 4/•               |
|              | 52909-104NG   |                             |  | •/4               | •/4               |
| 26           | 52225-224     | COLLECTOR BOX - FRONT LOWER | RECIPIENT - FRONTAL INFÉRIEUR            | 1                 | 1                 |
| 27           | 52215-224     | COLLECTOR BOX - FRONT UPPER | RECIPIENT - FRONTAL SUPÉRIEUR            | 1                 | 1                 |
| 28           | 52015-304BAR  | CONTROL COVER               | PANNEAU DE CONTROLE                      | •                 | 1                 |
|              | 52015-244BAR  |                             |  | 1                 | •                 |
| 29           | 59005-074     | CONTROL ASSEMBLY            | SOUPAPE                                  | •                 | 1                 |
|              | 59005-034     |                             |  | 1                 | •                 |
|              | 59005-077     |                             |  | •                 | 1                 |
|              | 59005-037     |                             |  | 1                 | •                 |
| 30           | S13470-091    | HOSE - SIDE BURNER          | TUYAU - BRÛLEUR DE CÔTÉ                  | 1/•               | 1/•               |
|              | S13470-132    |                             |  | •/1               | •/1               |
| 31           | 10114-20      | HOSE & REGULATOR            | TUYAU ET REGULATEUR PL                   | 1/•               | 1/•               |
|              | 10111-K45     | NATURAL GAS HOSE            | TUYAU DE GAZ NATUREL                     | •/1               | •/1               |
| 32           | 50809-957     | REAR BURNER - MANIFOLD      | BRÛLEUR ARRIÈRE - COLLECTEUR             | •                 | 1                 |
| 33           | Y-11990       | REAR BURNER - HEX NUT       | BRÛLEUR ARRIÈRE - ÉCROU HEXAGONAL        | •                 | 1                 |
| 34           | S21362        | REAR BURNER - SPRING        | BRÛLEUR ARRIÈRE - RESSORT                | •                 | 1                 |
| 35           | 27905-354     | REAR BURNER                 | BRÛLEUR ARRIÈRE                          | •                 | 1                 |
| 36           | S15509        | REAR BURNER - IGNITOR       | BRÛLEUR ARRIÈRE - IGNITOR                | •                 | 1                 |
| 38           | 22002-268     | CONTROL BEZEL               | MONTURE DE CONTROLE                      | 4                 | 4                 |
| 39           | 22001-168     | CONTROL BEZEL               | MONTURE DE CONTROLE                      | 1                 | 2                 |
| 40           | 22001-768     | CONTROL KNOB                | BOUTON DE CONTROLE                       | 4                 | 4                 |
| 41           | 22001-668     | CONTROL KNOB                | BOUTON DE CONTROLE                       | 1                 | 2                 |
| 42           | 10342-247     | ELECTRONIC IGNITOR          | ALLUMAGE ÉLECTRONIQUE                    | •                 | 1                 |
|              | 10342-246     |                             |  | 1                 | •                 |
| 43           | 10342-E13     | ELECTRODE                   | ÉLECTRODE                                | 2                 | 2                 |
| 44           | 52209-404     | FLAV-R-WAVE ®               | FLAV-R-WAVE ®                            | 4                 | 4                 |
| 45           | 52005-281     | GRID - PORCELAIN            | GRILLE EN PORCELAINE                     | 4                 | 4                 |
| 46           | 52005-991     | GRID - WARMING RACK         | GRILLE - MAINTIEN AU CHAUD               | 1                 | 1                 |
| 47           | 27054-901     | GREASE TRAY                 | PLATEAU A GRAISSE                        | 1                 | 1                 |
| 48           | 21034-991     | GREASE TRAY - RAIL          | PLATEAU A GRAISSE - FERROVIAIRE          | 2                 | 2                 |
| 49           | 22009-901     | GREASE PAN                  | CUVETTE A GRAISSE                        | 1                 | 1                 |
| 50           | 51775-134A    | DOOR -LEFT                  | PORTE - GAUCHE                           | 1                 | 1                 |
| 51           | 51775-114A    | DOOR - RIGHT                | PORTE - DROIT                            | 1                 | 1                 |
| 55           | 21071-13      | DOOR HANDLE                 | POIGNÉE DE LA PORTE                      | 2                 | 2                 |
| 56           | 21070-13      | HANDLE BEZEL                | MONTURE DE POIGNÉE                       | 4                 | 4                 |
| 60           | 21109-905R    | CABINET - SIDE PANEL        | CABINET - PANNEAU LATÉRAL                | 2                 | 2                 |
| 61           | 21305-925R    | CABINET - REAR PANEL        | CABINET - PANNEAU ARRIÈRE                | 1                 | 1                 |
| 65           | 21795-945     | CABINET - LOWER BASE        | TABLETTE INFÉRIEURE                      | 1                 | 1                 |
| 66           | 21009-905     | TANK BRACKET                | SUPPORT DU RESERVOIR                     | 1                 | 1                 |
| 67           | 51335-115     | MAGNET BRACKET              | MAGNET SUPPORT                           | 1                 | 1                 |

| <u>KEY #</u> | <u>ITEM #</u> | <u>DESCRIPTION</u>            | <u>DESCRIPTION</u>                    | <u>9625-64/67</u> | <u>9625-84/87</u> |
|--------------|---------------|-------------------------------|---------------------------------------|-------------------|-------------------|
| 73           | 21039-911     | CASTER BRACKET                | SUPPORT DE ROULLETTE                  | 2                 | 2                 |
| 74           | 10892-23      | CASTER                        | ROULETTES                             | 2                 | 2                 |
| 75           | 10892-285     | CASTER LEVELING               | ROULETTES                             | 2                 | 2                 |
| 80           | 53201-614     | SIDE SHELF                    | TABLETTE DE CÔTÉ                      | 2                 | 1                 |
| 84           | 53201-654     | SIDE SHELF - SIDE BURNER      | TABLETTE DE CÔTÉ - BRÛLEUR DE CÔTÉ    | •                 | 1                 |
| 85           | 53409-138     | SIDE SHELF - FASCIA           | TABLETTE DE CÔTÉ - FASCIA             | 2                 | 2                 |
| 86           | 10390-E10     | SIDE BURNER                   | BRÛLEUR DE CÔTÉ                       | •                 | 1                 |
| 87           | 23000-271     | SIDE BURNER - BODY            | BRÛLEUR DE CÔTÉ - CORPS               | •                 | 1                 |
| 88           | 23000-254     | SIDE BURNER - COVER           | BRÛLEUR DE CÔTÉ - COUVERCLE           | •                 | 1                 |
| 89           | 53139-981     | SIDE BURNER GRID              | BRÛLEUR DE CÔTÉ - GRILLE              | •                 | 1                 |
| 92           | 10342-T21     | SIDE BURNER ELECTRODE         | ÉLECTRODE DU BRÛLEUR DE CÔTÉ          | •                 | 1                 |
| 93           | 53235-20      | PIVOT BRACKET                 | PIVOT SUPPORT                         | 2                 | 2                 |
| 95           | 52139-137     | CONTROL COVER ENDCAP - LEFT   | CONTRÔLE EMBOUT DE COUVERTURE - LEFT  | 1                 | 1                 |
| 96           | 52139-117     | CONTROL COVER ENDCAP - RIGHT  | CONTRÔLE EMBOUT DE COUVERTURE - RIGHT | 1                 | 1                 |
| 100          | Y-12220       | GROMMET                       | GROMMET                               | •                 | 1                 |
| 110          | S15271        | ROTISSERIE HANDLE             | POIGNÉE DE RÔTISSERIE                 | •                 | 1                 |
| 112          | S15270        | COUTER WEIGHT                 | CONTRE-POIDS                          | •                 | 1                 |
| 114          | S15299        | ROTISSERIE NUT                | ÉCROU RÔTISSERIE                      | •                 | 1                 |
| 116          | S15263        | ROTISSERIE BUSHING            | BAGUE RÔTISSERIE                      | •                 | 1                 |
| 118          | S15257        | ROTISSERIE ROD                | TOURNEBROCHE                          | •                 | 1                 |
| 120          | S15287        | ROTISSERIE FORKS              | FOURCHES RÔTISSERIE                   | •                 | 2                 |
| 122          | S15236        | ROTISSERIE MOTOR              | MOTEUR RÔTISSERIE                     | •                 | 1                 |
| 130          | Y-12835       | SCREW - #6 X 1/4              | VIS - #6 X 1/4                        | •                 | 2                 |
| 131          | S21125        | SCREW - #8 X 3/8              | VIS - #8 X 3/8                        | 13                | 14                |
| 132          | S21124        | SCREW - #8 X 1/2              | VIS - #8 X 1/2                        | 12                | 12                |
| 133          | Y-12646       | SCREW - SHOULDER #8 X 1/2     | VIS - SHOULDER #8 X 1/2               | 10                | 10                |
| 134          | Y-29304       | SCREW - #10-24 X 3/8          | VIS - #10-24 X 3/8                    | 10                | 10                |
| 135          | S35094        | SCREW - #10-24 X 5/8          | VIS - #10-24 X 5/8                    | 1                 | 1                 |
| 136          | Y-29310       | SCREW - #10-24 X 3/4          | VIS - #10-24 X 3/4                    | 4                 | 4                 |
| 137          | Y-12855       | SCREW - 1/4-20 X 3/8          | VIS - 1/4-20 X 3/8                    | 16                | 16                |
| 138          | Y-12865       | SCREW - 1/4-20 X 1/2          | VIS - 1/4-20 X 1/2                    | 8                 | 8                 |
| 139          | Y-11546       | SCREW - SHOULDER 1/4-20 X 5/8 | VIS - SHOULDER - 1/4-20 X 5/8         | 8                 | 8                 |
| 140          | Y-12310       | SCREW - 1/4-20 X 3/4          | VIS - 1/4-20 X 3/4                    | 4                 | 4                 |
| 141          | Y-11560       | SCREW - 1/4-20 X 1 1/2        | VIS - 1/4-20 X 1 1/2                  | 8                 | 8                 |
| 142          | Y-11562       | SCREW - 1/4-20 X 2 1/2        | SCREW - 1/4-20 X 2 1/2                | 4                 | 8                 |
| 143          | S21141        | CARRIDGE BOLT - 1/4-20 x 5/8  | BOULON - 1/4-20 x 5/8                 | 1                 | 1                 |
| 150          | Y-29307       | NUT - #10-24                  | ÉCROU - #10-24                        | 2                 | 2                 |
| 151          | Y-11793       | NUT - 1/4-20                  | ÉCROU - 1/4-20                        | 22                | 22                |
| 152          | Y-11598       | WING NUT- 1/4-20              | ÉCROU AILE - 1/4-20                   | 1                 | 1                 |
| 160          | S21255        | WASHER                        | RONDELLE                              | 7                 | 7                 |
| 170          | 10240-23      | HINGE PIN                     | GOUPILLE DE CHARNIÈRE                 | 2                 | 2                 |
| 171          | S21233        | CLIP                          | CLIP                                  | 6                 | 6                 |
| 172          | Y-11544       | BURNER SCREW                  | VIS DU BRÛLEUR                        | 4                 | 4                 |
| 173          | 10240-19      | DOOR HINGE PIN - TOP          | CHARNIÈRE DE PORTE BROCHES - HAUT     | 1                 | 1                 |
| 174          | 10240-20      | DOOR HINDGE PIN - BOTTOM      | CHARNIÈRE DE PORTE BROCHES - BAS      | 1                 | 1                 |
| 175          | Y-12127       | DOOR CLIP                     | CLIP PORTE                            | 1                 | 1                 |
| 176          | Y-12124       | DOOR HINDGE COVER             | CHARNIÈRE DE PORTE COUVRIR            | 1                 | 1                 |
| 177          | Y-12222       | MAGNET                        | MAGNET                                | 1                 | 1                 |
| 178          | Y-12223       | MAGNET - SNAP IN              | MAGNET - SNAP IN                      | 2                 | 2                 |
| 179          | Y-11981       | CHROME SCREW 1/4-20           | CHROME SCREW 1/4-20                   | 18                | 18                |
| 180          | SP11-25       | LID BUMPER                    | BUTOIR DU COUVERCLE                   | 2                 | 2                 |
| 181          | Y-11231       | LID BUMPER - ROUND            | BUTOIR DU COUVERCLE - CERCLE          | 2                 | 2                 |
| 182          | 20005-000     | MATCH LIGHT CHAIN             | MATCH CHAINE LEGERE                   | 1                 | 1                 |

