

This Owner's Manual is provided and hosted by [Appliance Factory Parts](#).



# Broil King 9781-87 Owner's Manual

[Shop genuine replacement parts for Broil King 9781-87](#)



[Find Your Broil King Grill Parts - Select From 1350 Models](#)

----- Manual continues below part list -----

## Available Replacement Parts for Broil King 9781-87

<a href="#">18013</a>	LARGE PROBE HEAT INDICATOR
<a href="#">10081-BK630</a>	NAMEPLATE HI BROIL KING BLACK ZINC
<a href="#">S21124</a>	SCREW PHCP #8 X 12 +
<a href="#">Y-12220</a>	S/B BUSHING SB 1.375 16 HEY
<a href="#">S15263</a>	ROTISSERIE BUSHING
<a href="#">S15299</a>	WASHER COUNTERWEIGHT ROTIS
<a href="#">S15270</a>	ROTISSERIE COUNTERWEIGHT ASSY
<a href="#">S15271</a>	ROTISSERIE HANDLE +
<a href="#">Y-11987</a>	BOLT CARRIAGE 1/4-20x1.25 UNC+
<a href="#">18433</a>	OEM FLAV R WAVE - REGAL/IMPERIAL
<a href="#">Y-12223</a>	MAGNET SNAP IN - DOOR
<a href="#">Y-12222</a>	MAGNET - DOOR
<a href="#">23000-253</a>	SIDE BURNER LID IR SS
<a href="#">23000-271</a>	SIDE BURNER BODY BASE
<a href="#">22009-901</a>	GREASE PAN FORMED +
<a href="#">10342-E13</a>	ELECTRODE W/WIRE
<a href="#">10342-T18</a>	WIRE ELECTRODE S/B 600 +
<a href="#">11051</a>	burner, Read Ext info please...
<a href="#">99041</a>	heat plate, ss, 17.5625 x 6.3125
<a href="#">20809-957</a>	REAR BURNER TUBE ASSMBLY W/COMP. FITTING
<a href="#">10693-109</a>	ORIFICE SPUD RB 1.09MM 5/16 32
<a href="#">S15245</a>	ROTIS MOTOR-220V AC +
<a href="#">27006-91</a>	HEAT SHIELD 625 GALVANIZED D
<a href="#">22006-991</a>	WARMING RACK PORC COATED CI
<a href="#">29006-074</a>	CONTROL ASSEMBLY LP 5V+SB+RB
<a href="#">27056-901</a>	GREASE TRAY PORC FORMED 625
<a href="#">S15259</a>	SPIT ROD 37 INCH CRS BRGHT NICKEL
<a href="#">10240-20</a>	DOOR PIN TOP
<a href="#">10240-19</a>	DOOR PIN BOTTOM
<a href="#">29006-077</a>	CONTROL ASSEMBLY NG 5V+SB+RB

<a href="#">21475-138</a>	DOOR HANDLE RESIN
<a href="#">23009-608</a>	SHELF STRAP RESIN W/SS STRIP +
<a href="#">23100-654</a>	SIDE SHELF INSERT LHS 430SS +
<a href="#">67845</a>	grid, ci, 19.1875 x 30.3125; Master Forg
<a href="#">11229</a>	EXACT FIT CAST GRID - REGAL/IMPERIAL
<a href="#">10693-160</a>	ORIFICE SPUD 1.60MM 5/16-32
<a href="#">00475</a>	heat indicator
<a href="#">21039-911</a>	CASTER BRACKET BLACK
<a href="#">21036-991</a>	GREASE RAIL 550/625
<a href="#">27906-354</a>	REAR BURNER TUBULAR W/DEFLCTOR
<a href="#">10342-251</a>	ELECTRONIC IGNITOR 5 POLE +
<a href="#">82316-021</a>	FIREBOX 625 HOOD PANEL PORC
<a href="#">20005-000</a>	HARDWARE BAG STICK & CHAIN SS
<a href="#">25070-90</a>	SWITCH - OVEN LIGHT
<a href="#">10892-23</a>	CASTER RUBBER 3 INCH W/PLATE
<a href="#">Y-99101</a>	DRAWER SLIDE SET LHS & RHS 16 INCH
<a href="#">18633</a>	BURNER - REGAL/IMPERIAL
<a href="#">25080-90</a>	TRANSFORMER ASSY GPB
<a href="#">22006-494</a>	CONTROL COVER 5V SB RB W/ LS HOLE
<a href="#">52016-903</a>	COLLECTOR BOX ASSEMBLY 625
<a href="#">80012</a>	regulator and hose READ ADD. INFO
<a href="#">03335</a>	SPARK MODULE 5 PORT
<a href="#">04831</a>	ELECTRODE WITH WIRE
<a href="#">57039-901</a>	ROTISSERIE BRACKET BLK
<a href="#">50502</a>	HEAVY DUTY MEAT FORKS
<a href="#">10390-R81A</a>	SIDE BURNER ASSY
<a href="#">23009-99</a>	SIDE BURNER TRIVET CI
<a href="#">17000</a>	CONTROL KNOB - SMALL BLACK
<a href="#">17010</a>	CONTROL KNOB RESIN LRG BLACK
<a href="#">10111-K45</a>	HOSE 3/8 INCH ASSEMBLY NG 10 FOOT +
<a href="#">Y-11990</a>	NUT HEX BRASS 3/8 27 RB LINE
<a href="#">22001-168</a>	CONTROL KNOB BEZEL SML
<a href="#">22002-268</a>	CONTROL KNOB BEZEL LARGE

[23101-613](#)

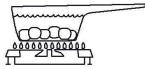
SIDE SHELF - RIGHT SS430

# Broil King®

## REDDI-BILT BARBECUES

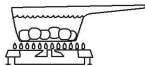
ASSEMBLY MANUAL & PARTS LIST

MANUEL DE MONTAGE & LISTE DE PIÈCES



**Broil King**

REGAL 590  
9785-84  
9785-87



**Broil King**

REGAL 625  
9781-84  
9781-87

RETAIN FOR FUTURE REFERENCE

VEUILLEZ CONSERVER POUR REFERENCE ULTERIEURE

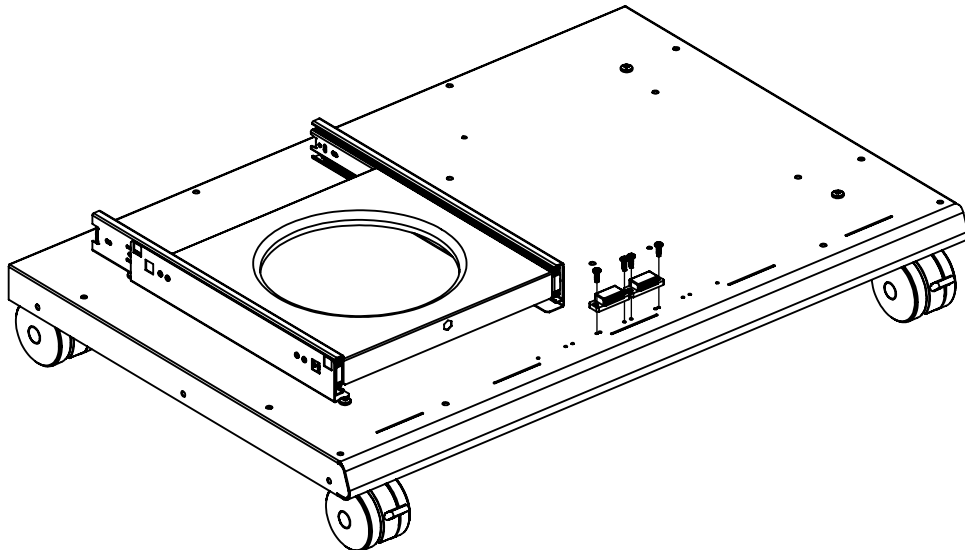
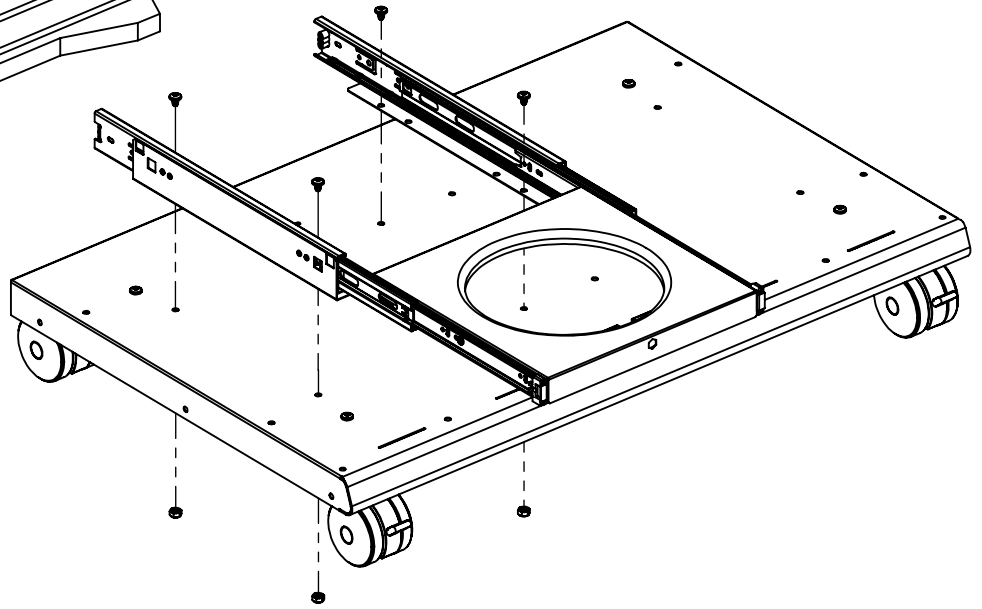
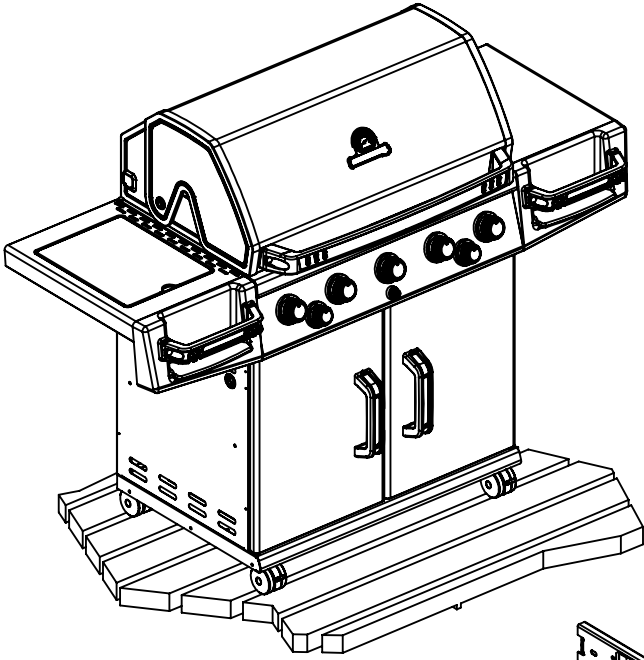
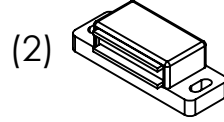
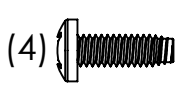
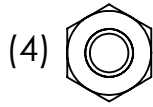
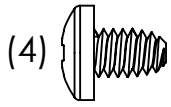
1-800-265-2150

[info@omcbbq.com](mailto:info@omcbbq.com)

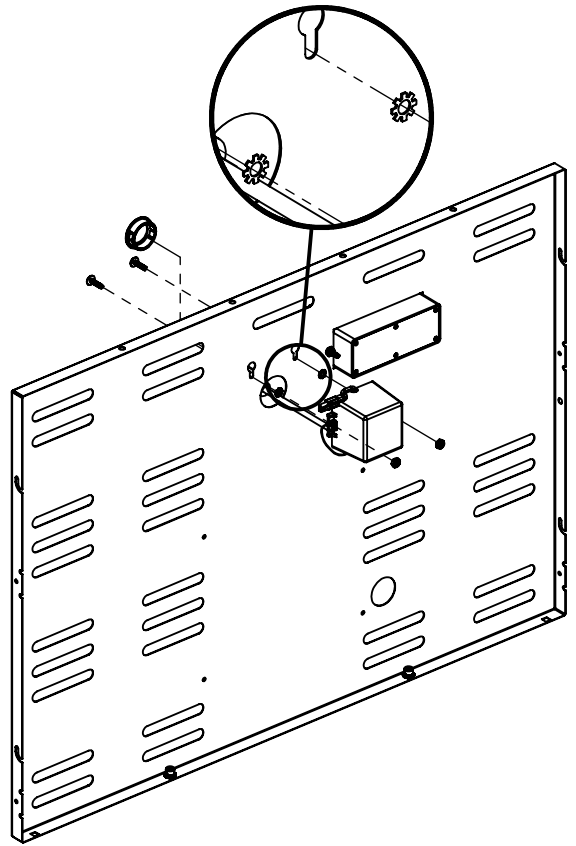
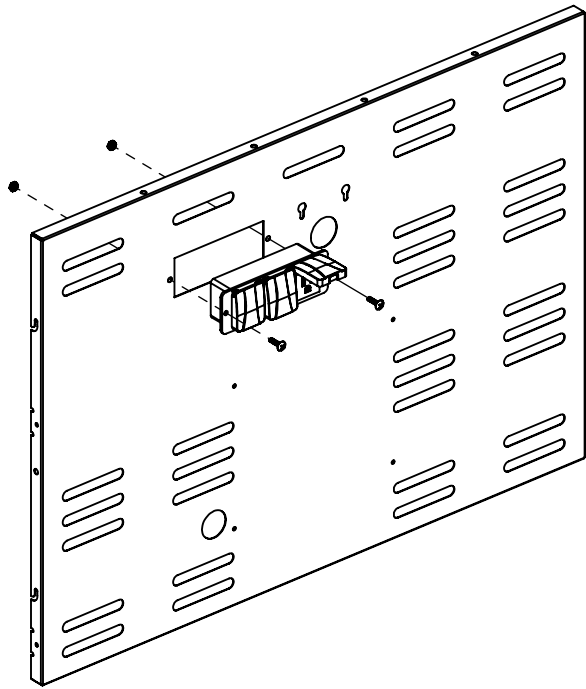
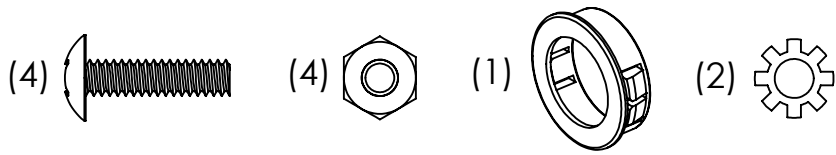
*Onward*  
MANUFACTURING COMPANY  
SINCE 1906  
585 KUMPF DRIVE LIMITED  
WATERLOO, ONTARIO, CANADA  
N2V 1K3

20084-E71 04/10

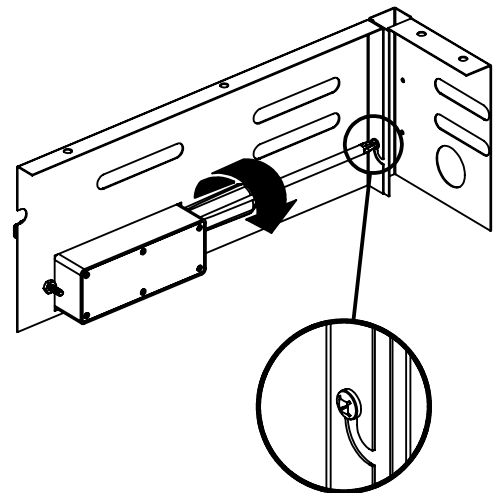
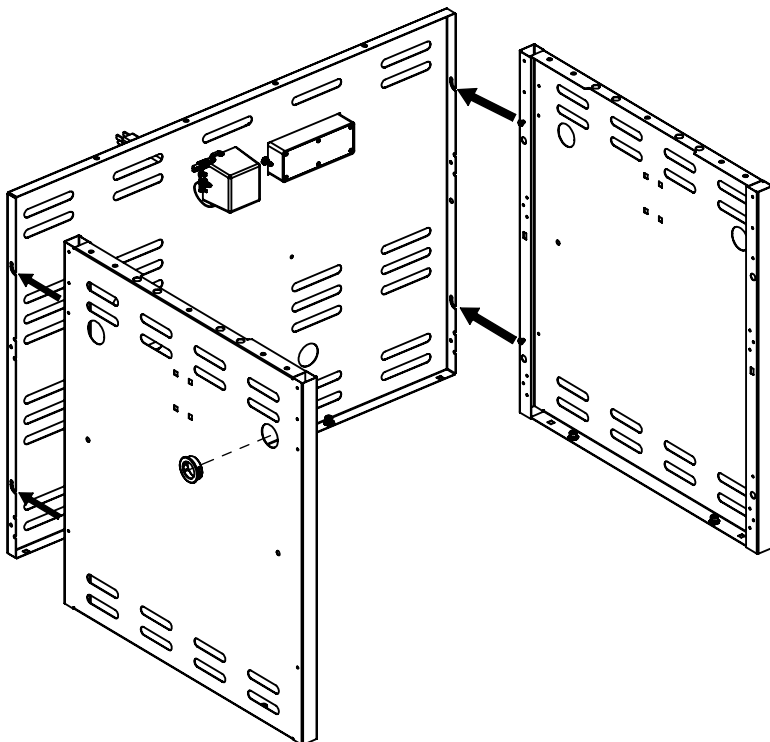
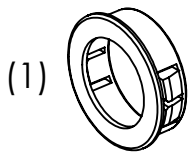
**1**



**2**

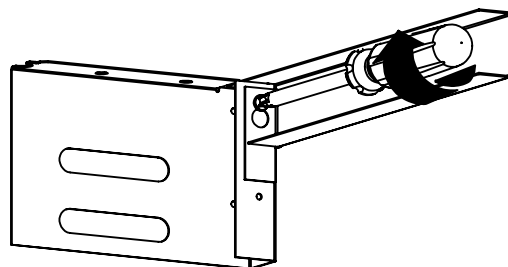
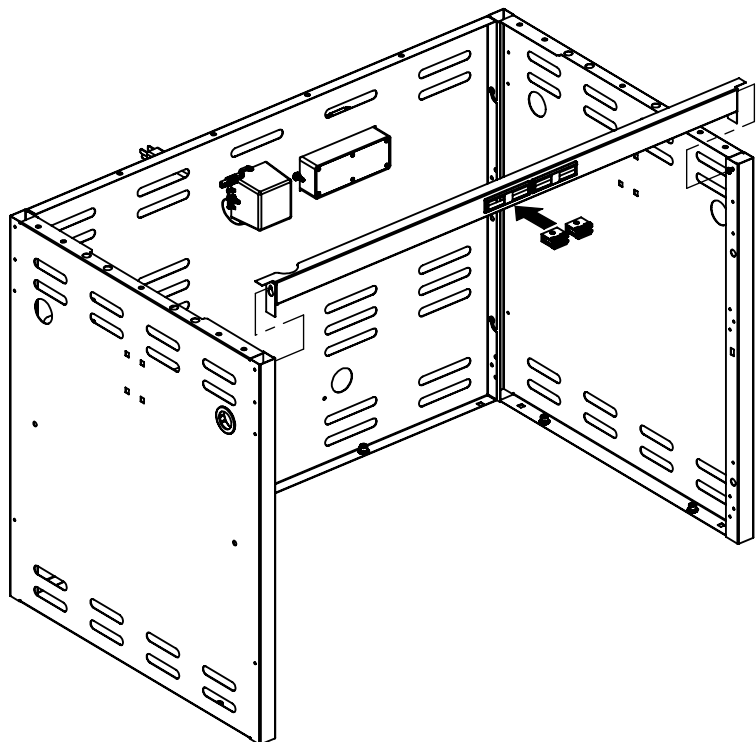


**3**



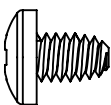
**4**

(2)

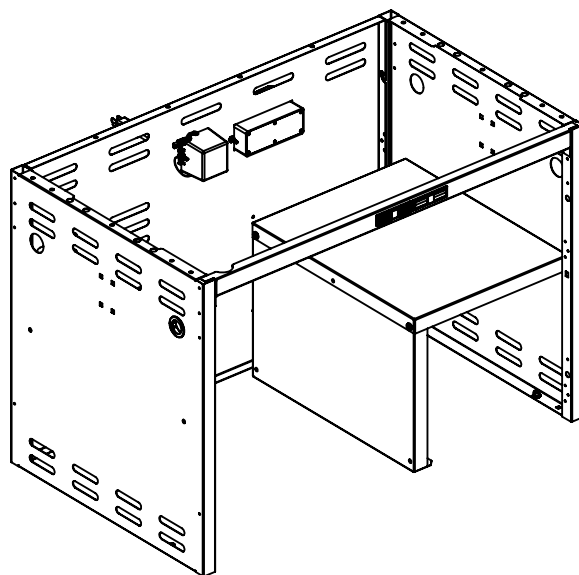
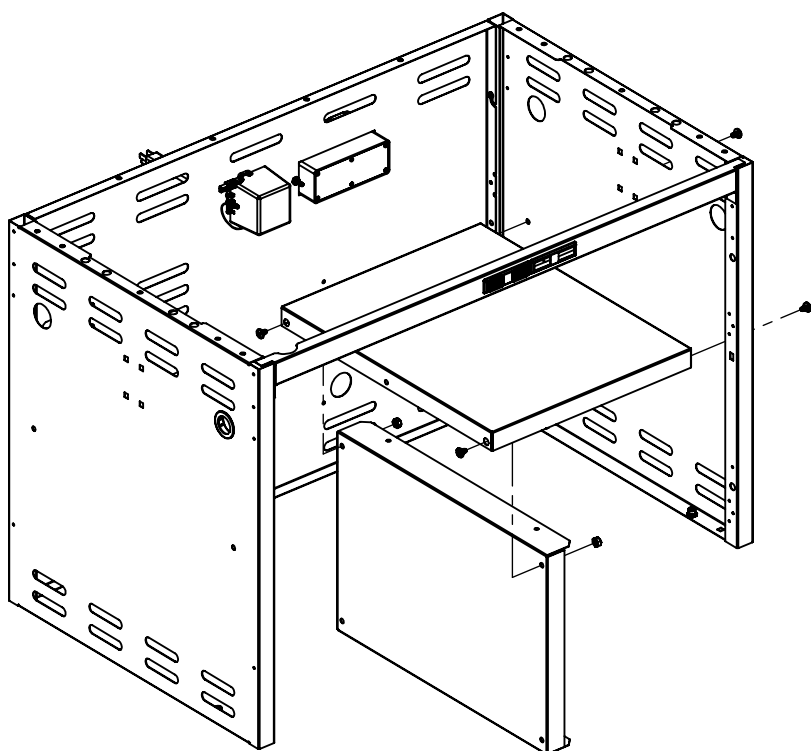
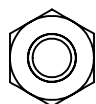


**5**

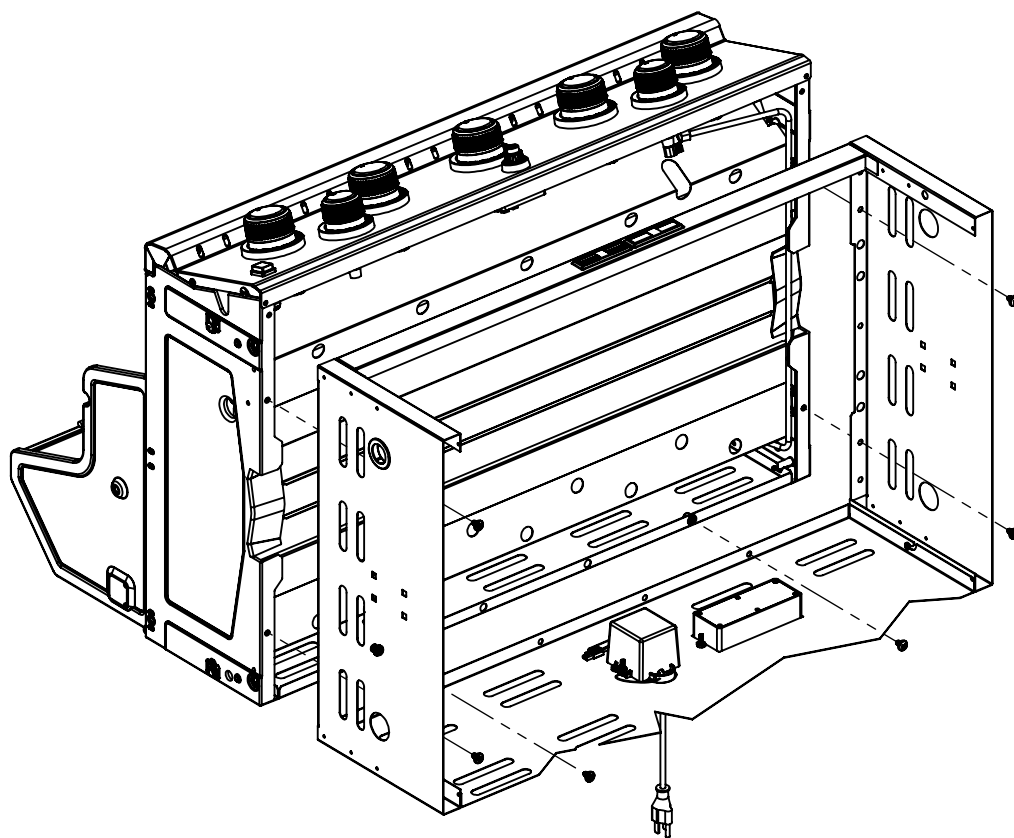
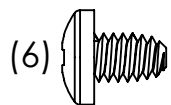
(4)



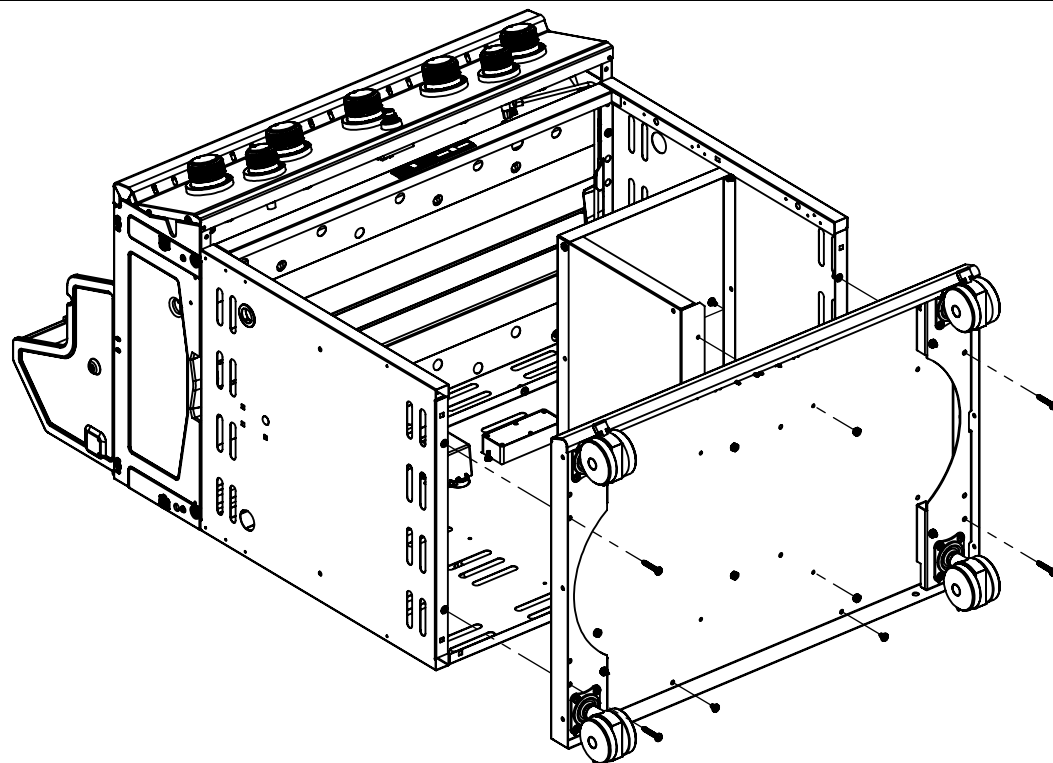
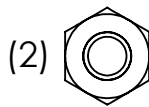
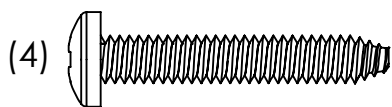
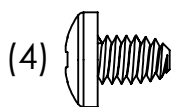
(2)



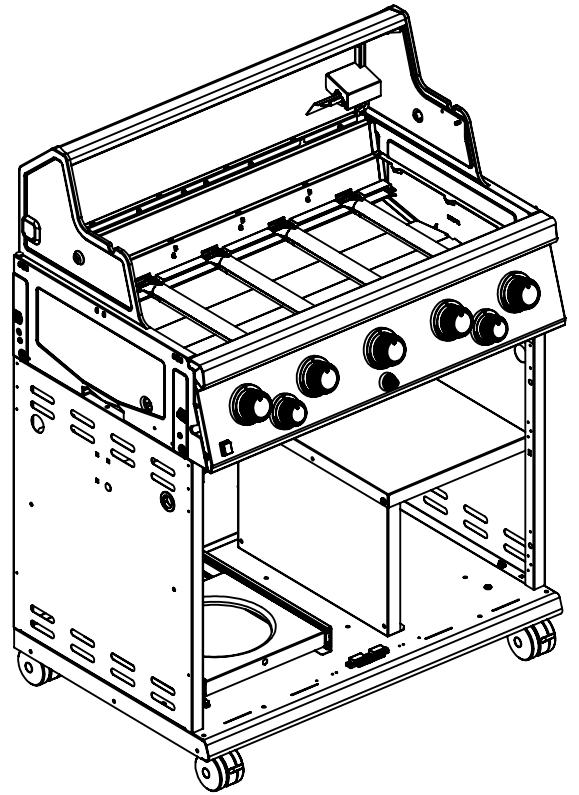
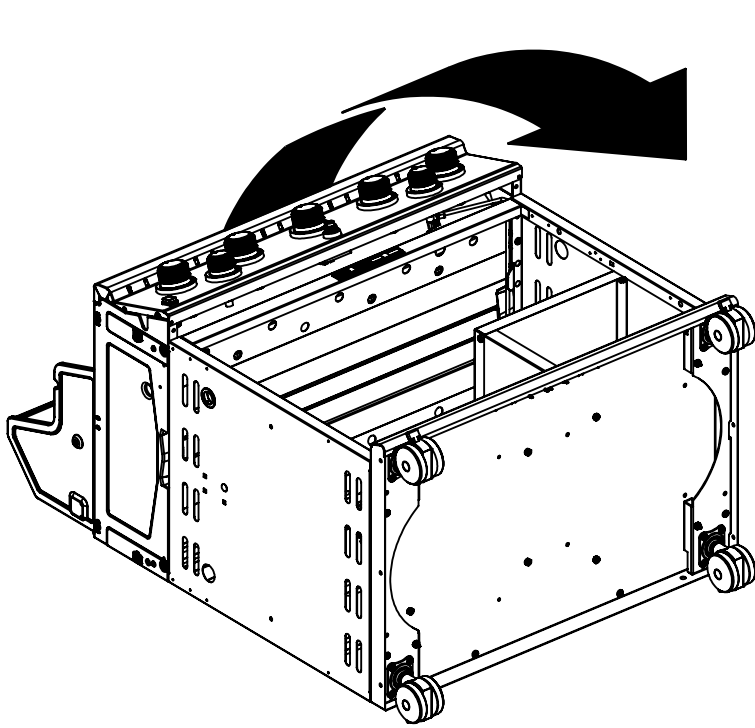
6



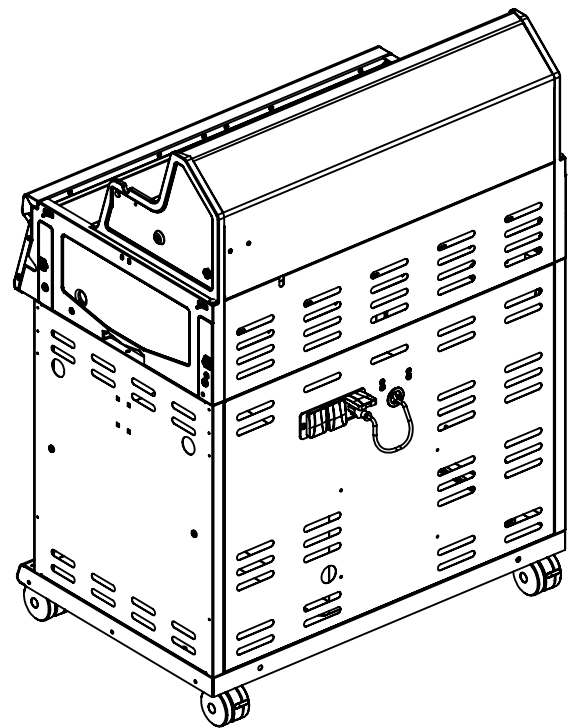
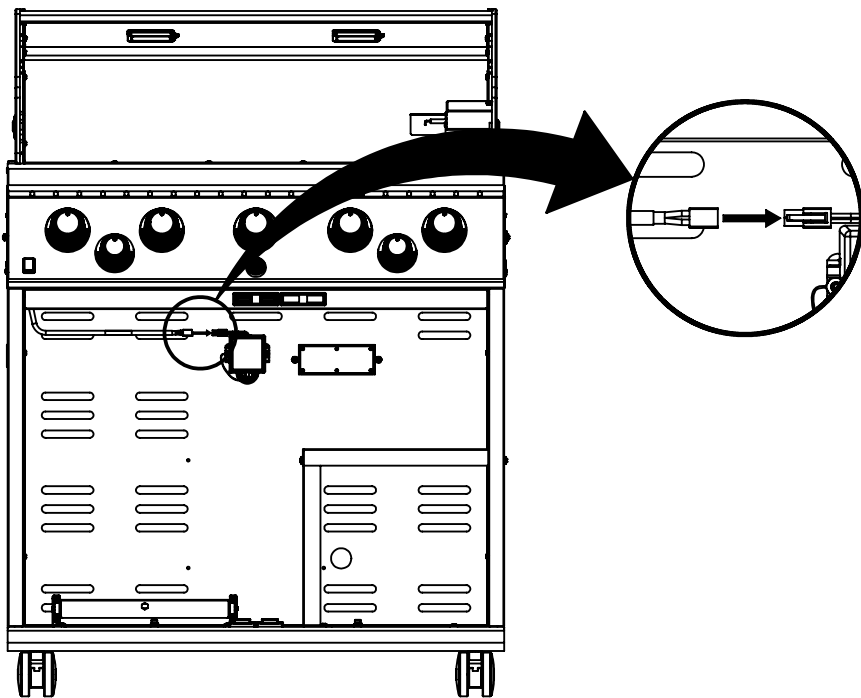
7



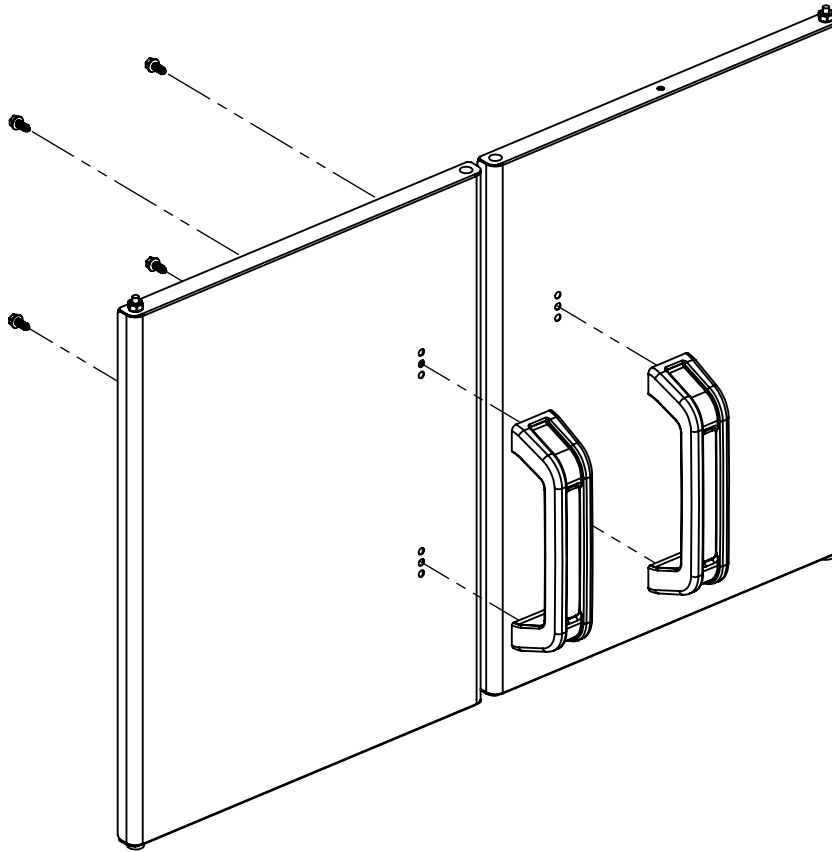
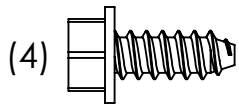
8



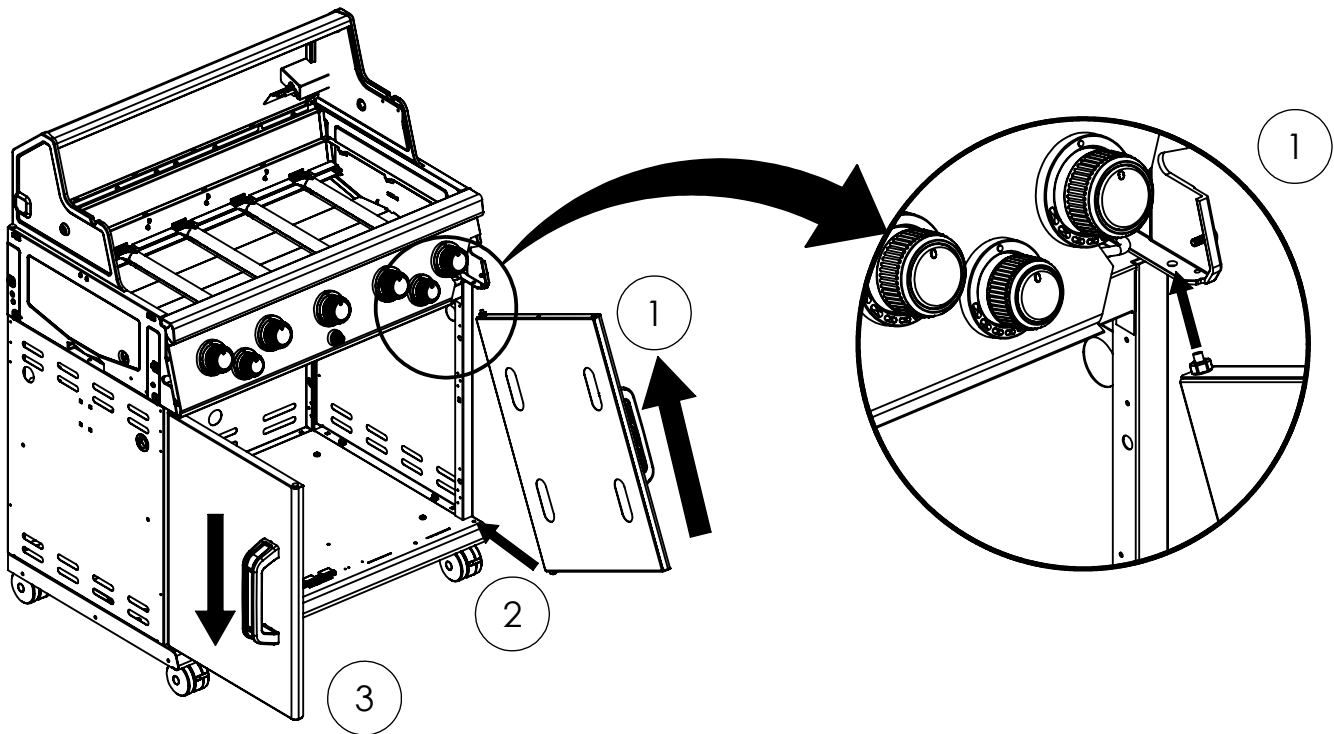
9



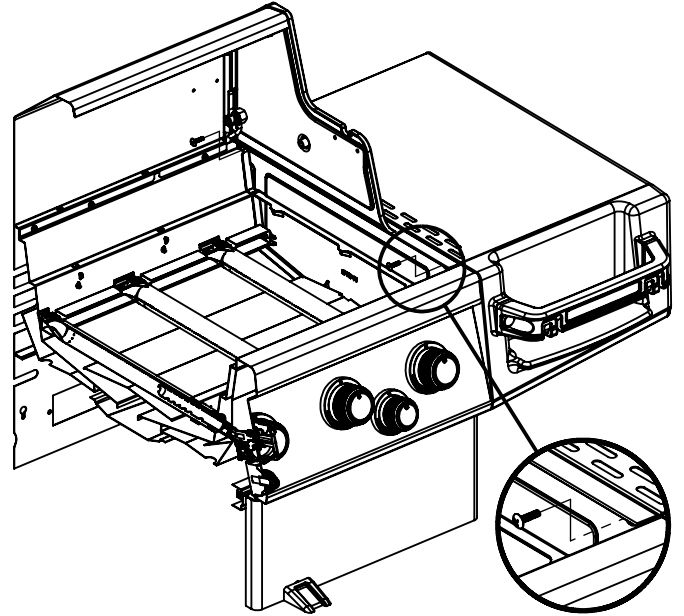
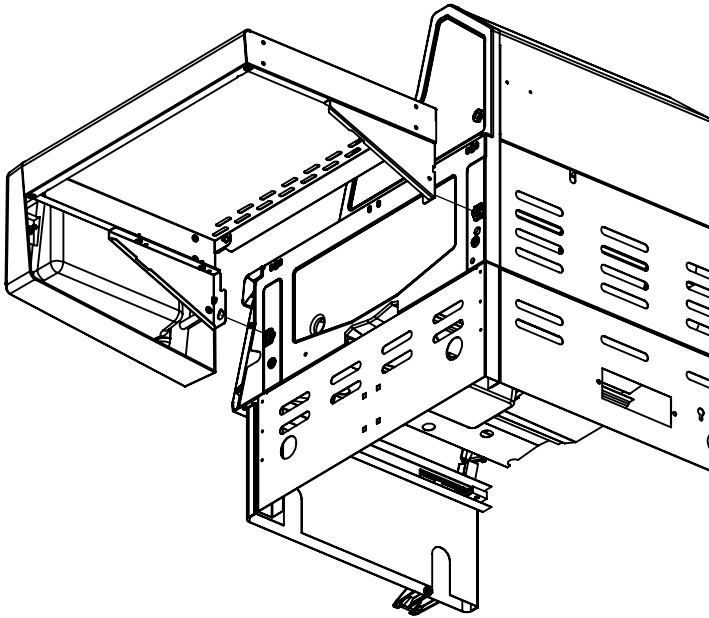
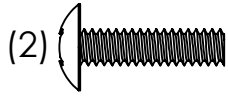
10



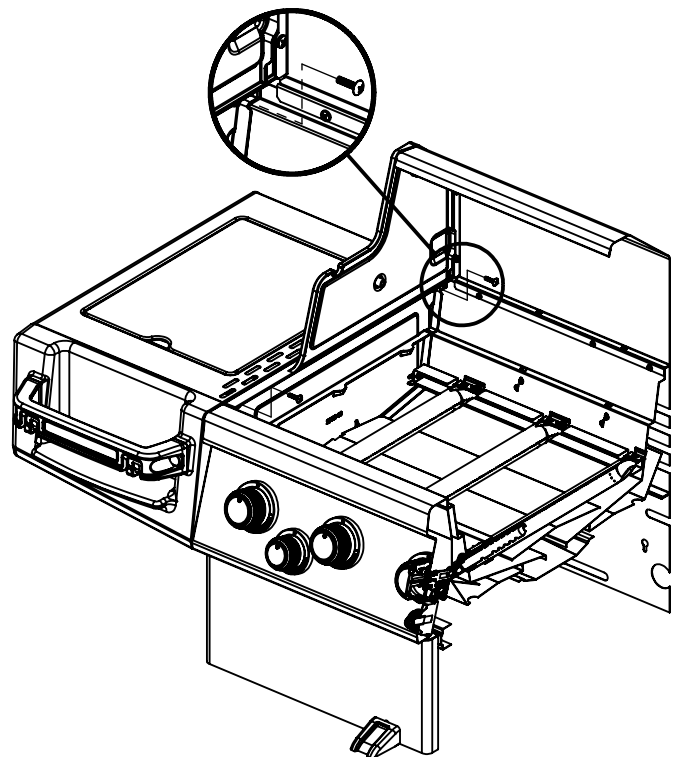
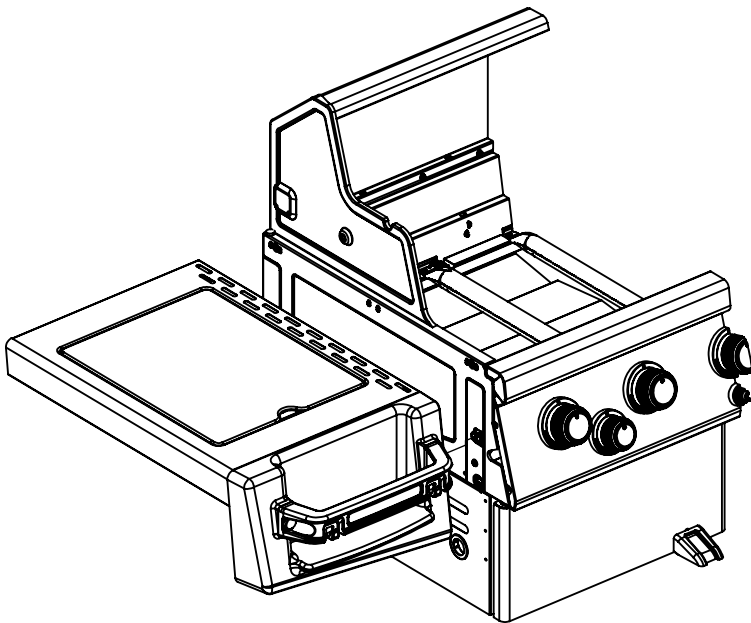
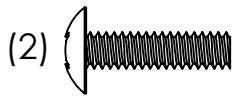
11



**12**

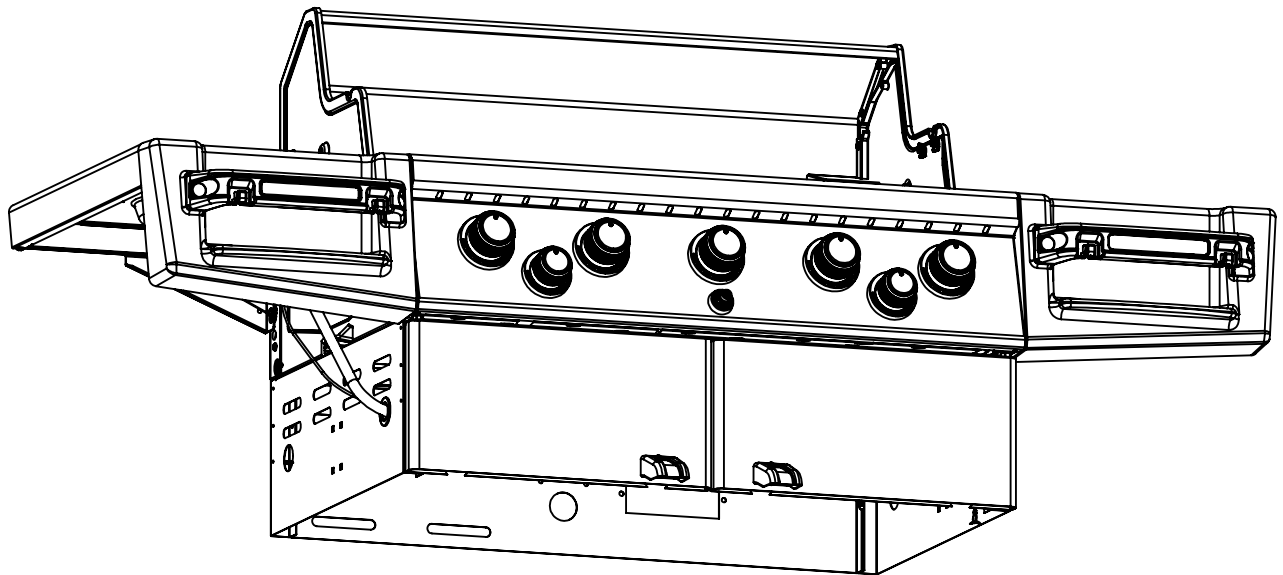
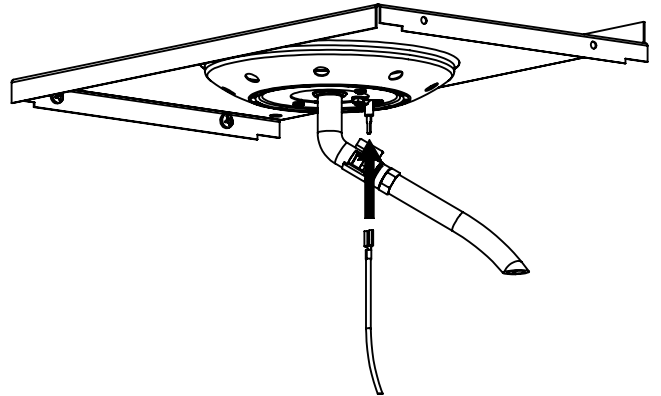
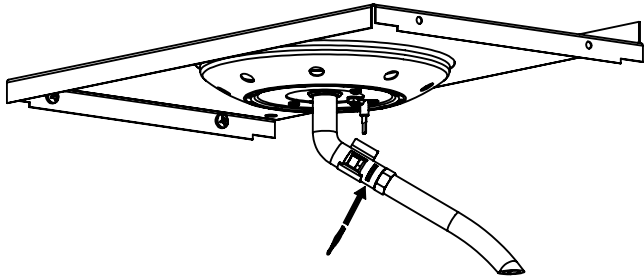
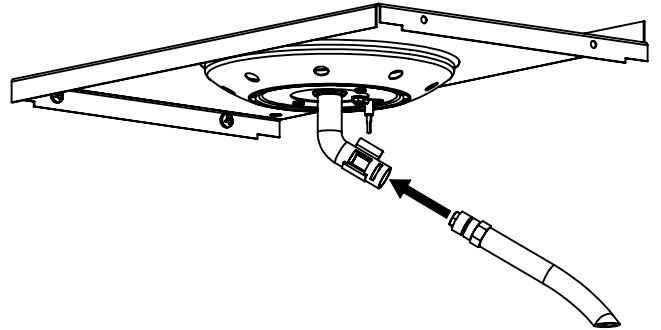
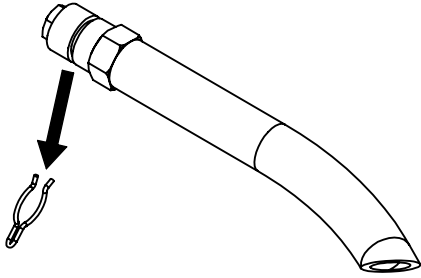
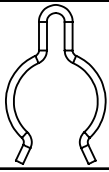


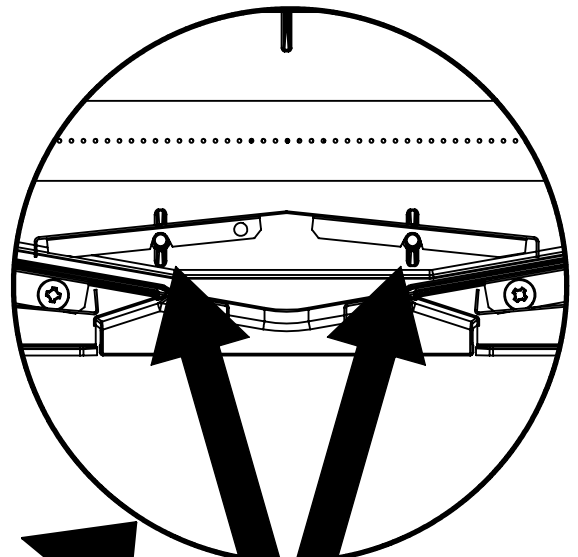
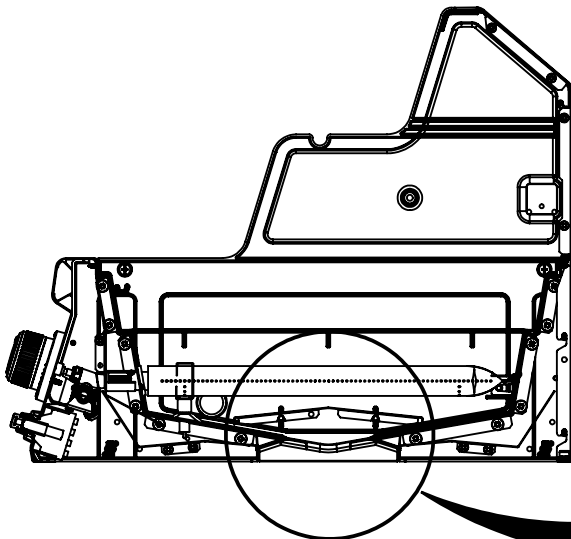
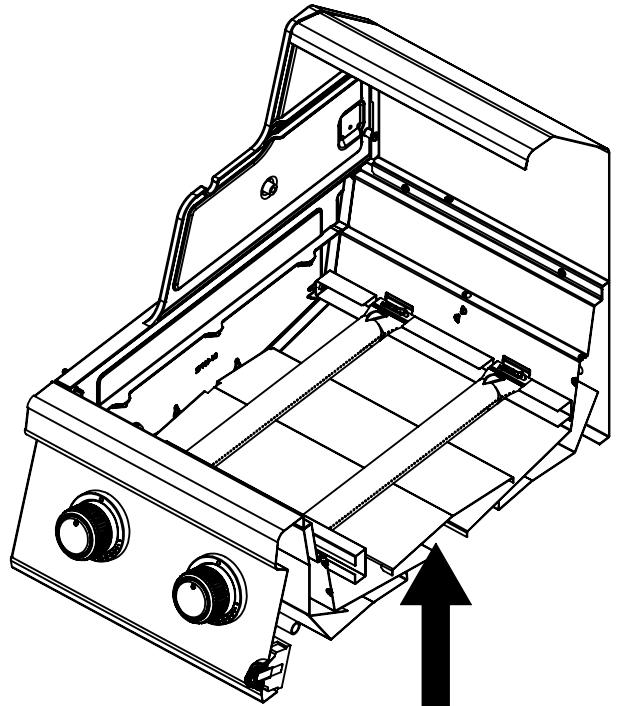
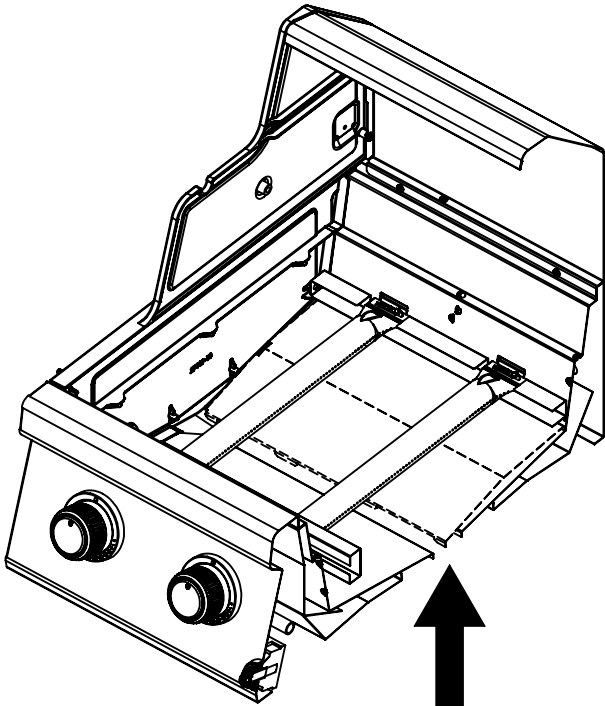
**13**



14

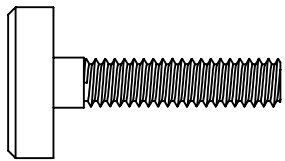
(1)



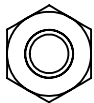


16

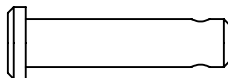
(2)



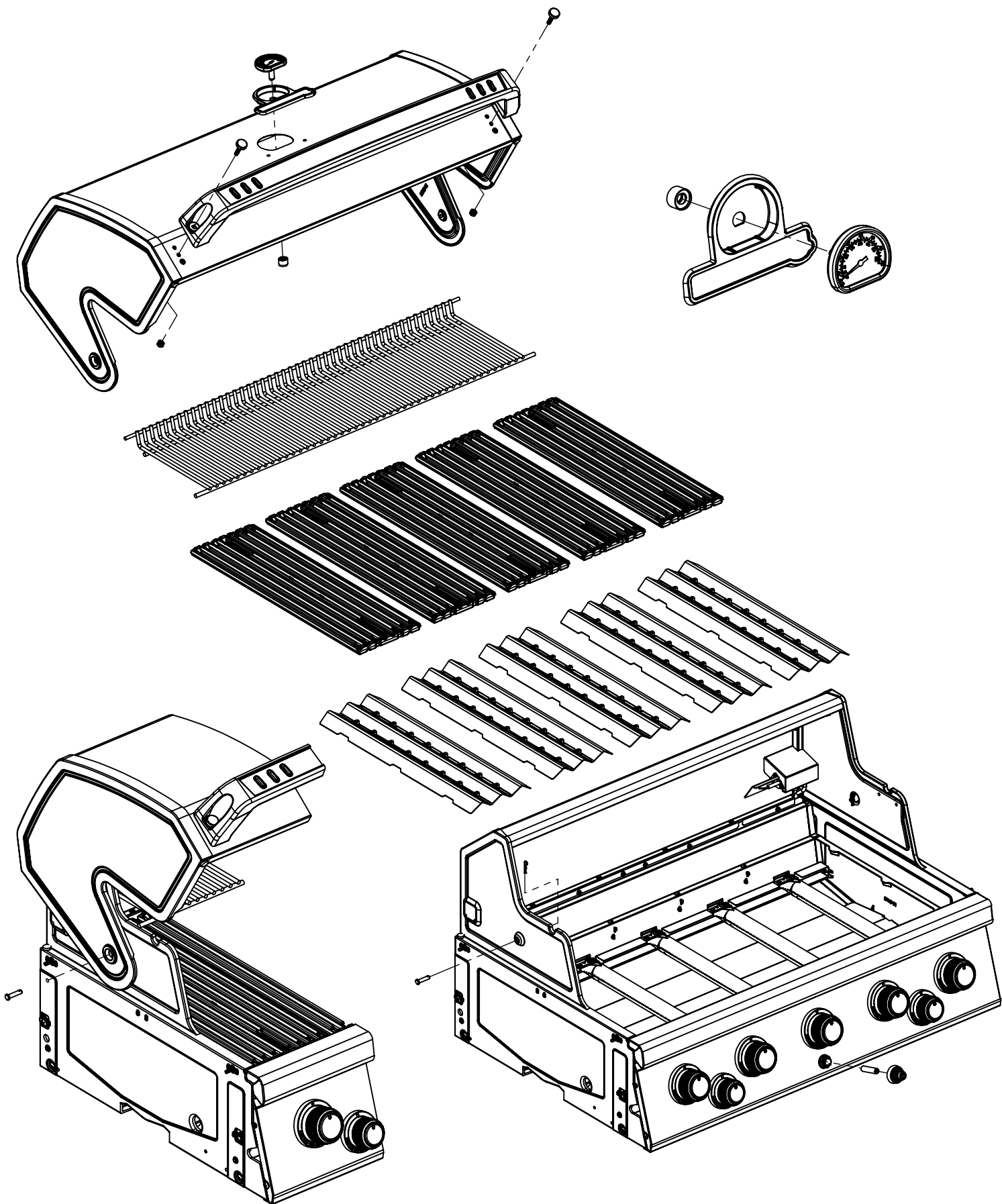
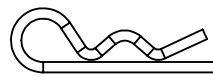
(2)



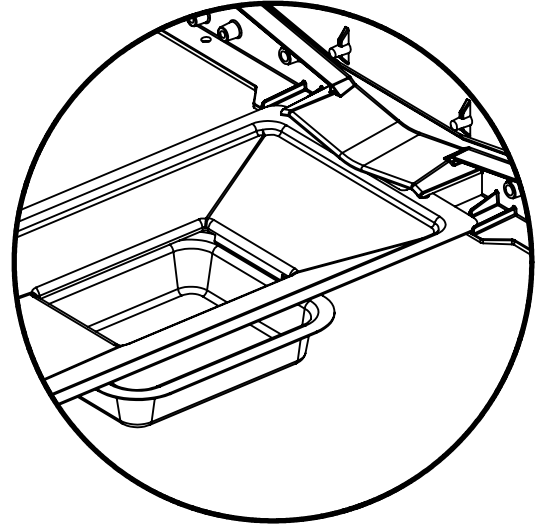
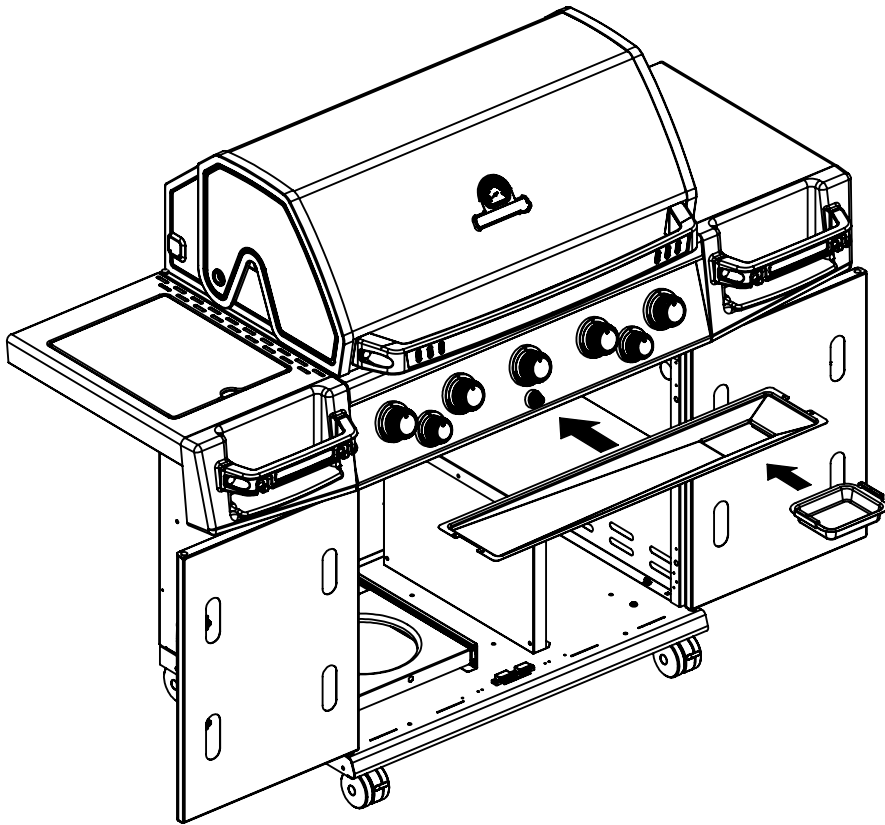
(2)



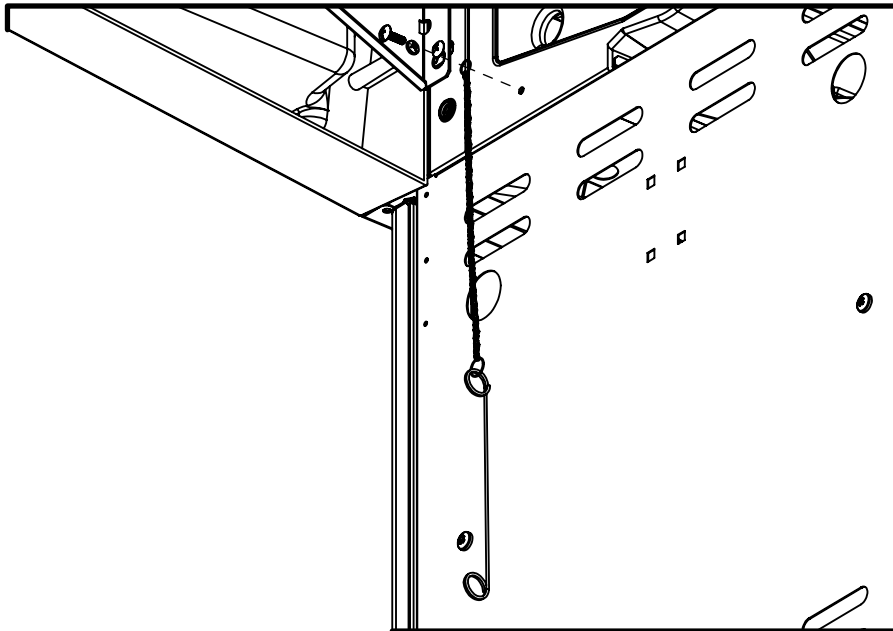
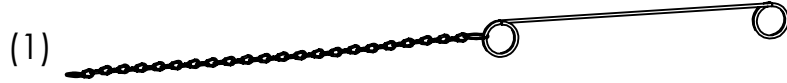
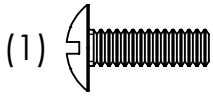
(2)

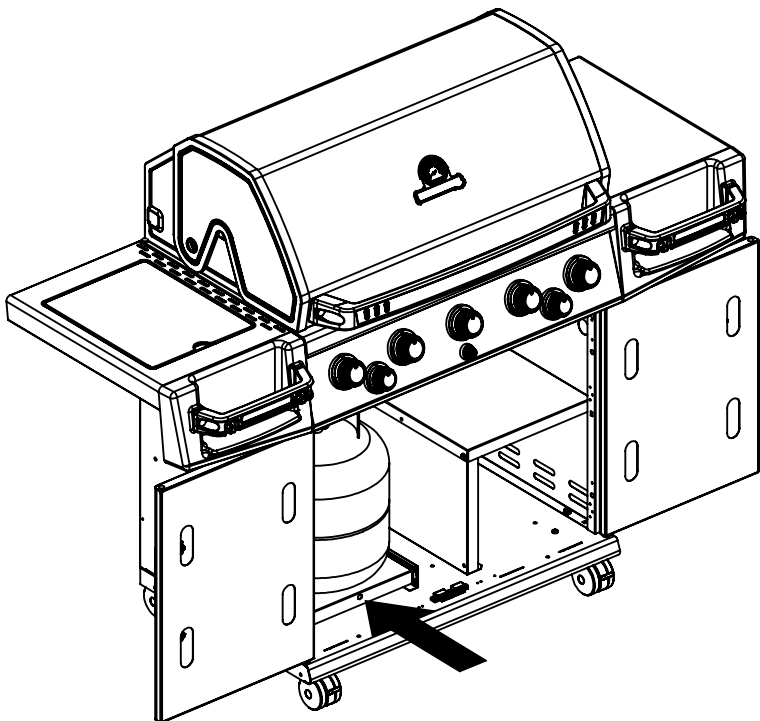
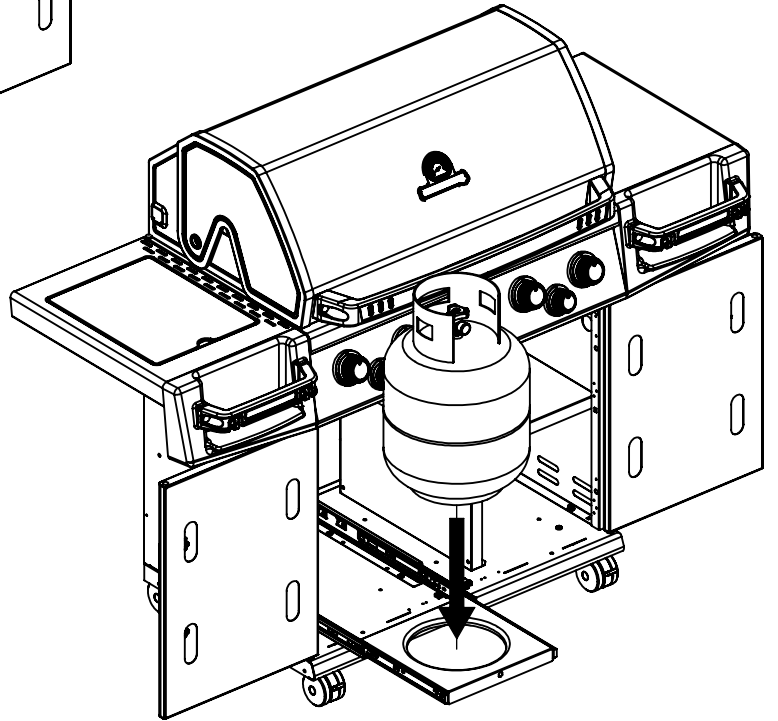
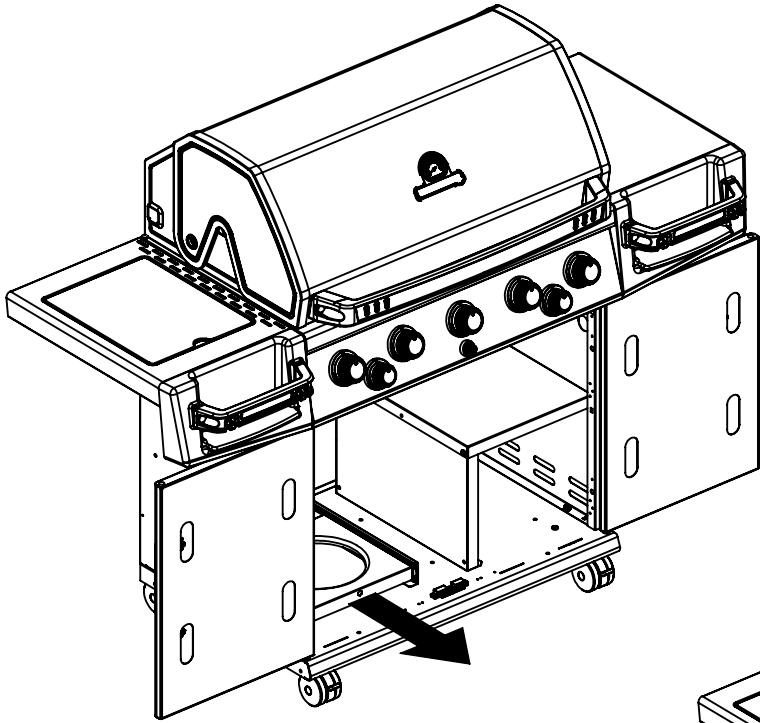


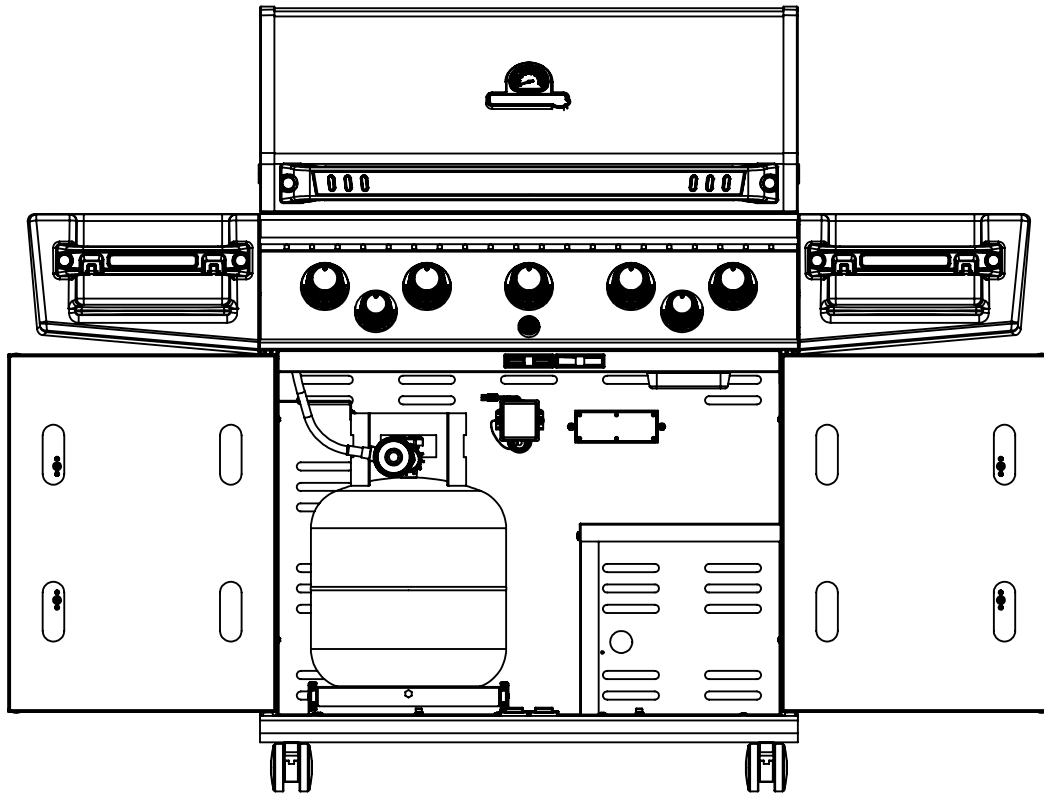
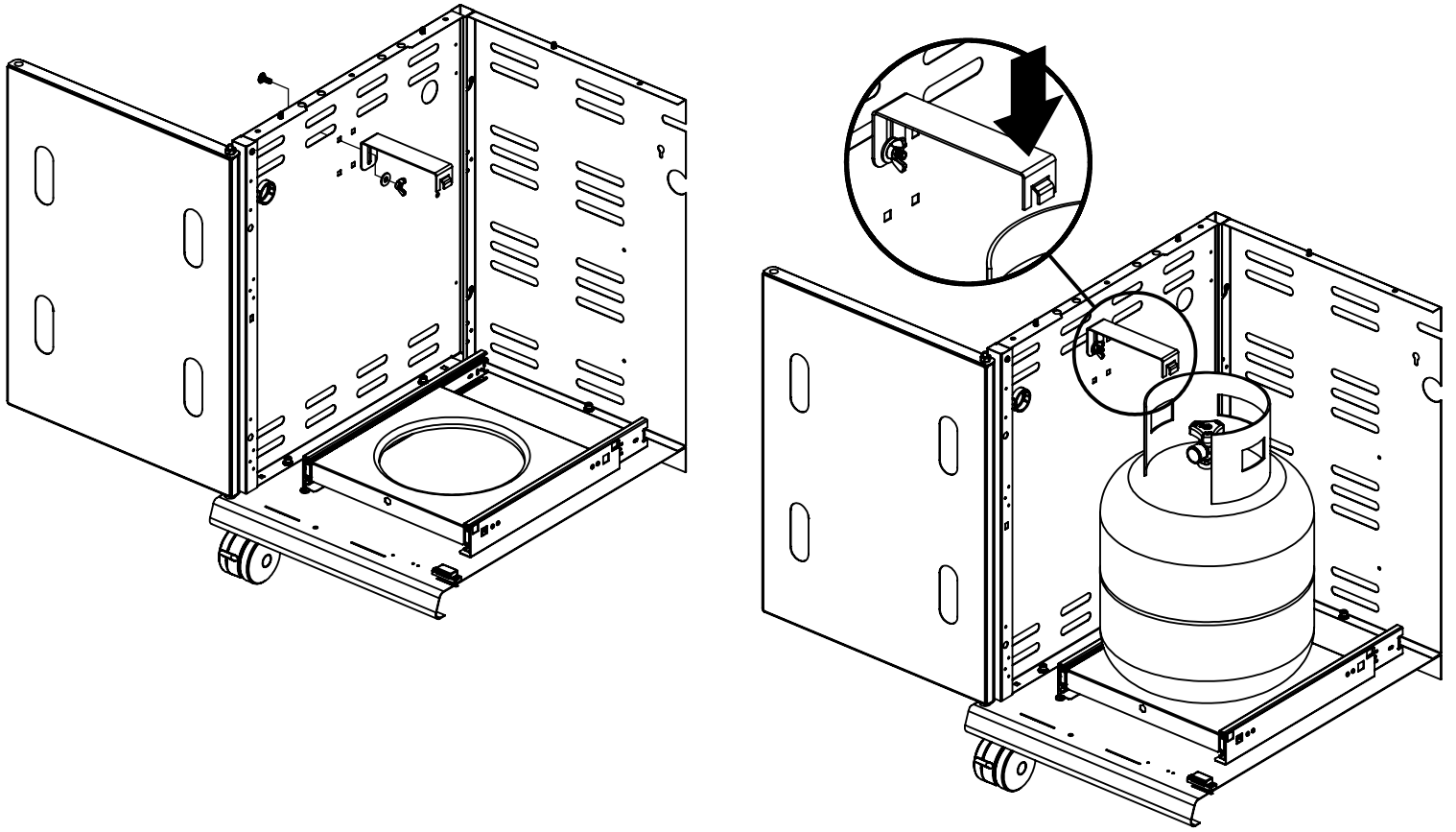
17



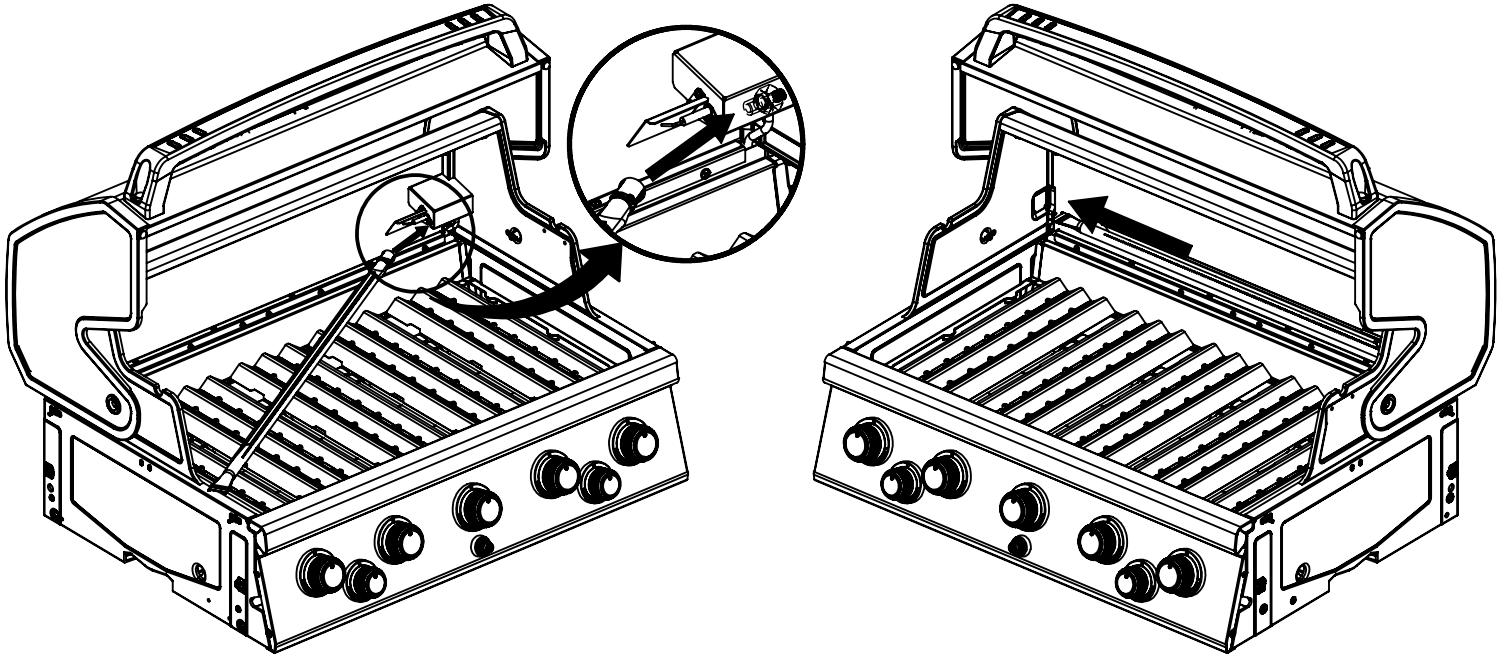
18



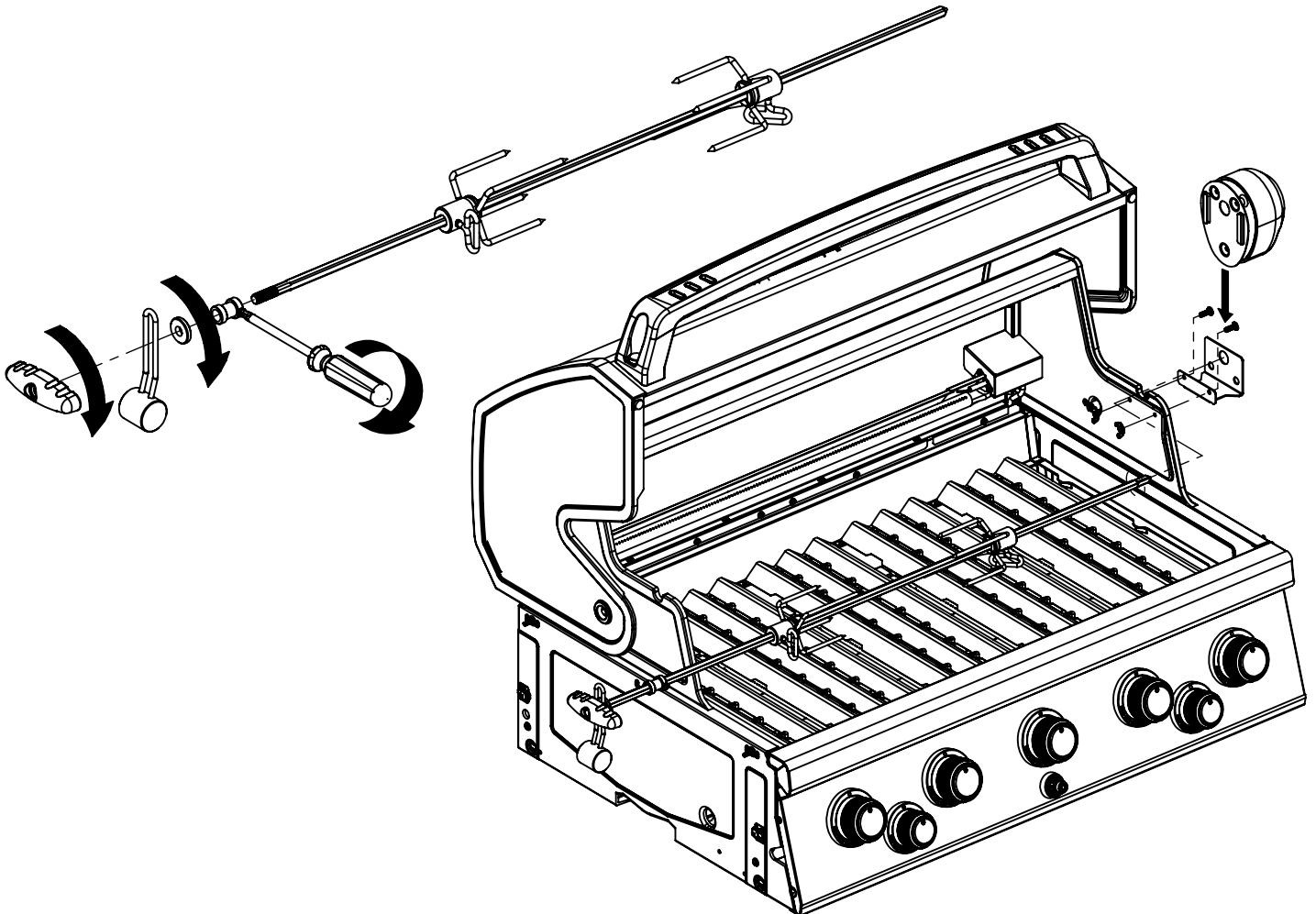
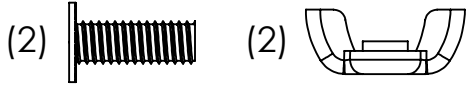




21



22



## PARTS LIST / LISTE DES PIÈCES

KEY #	ITEM #	DESCRIPTION	DESCRIPTION	9781-84	9781-87	9785-84	9785-87
1	27109-931	PANEL - SIDE LEFT	PANNEAU - CÔTE GAUCHE	1	1	1	1
2	27109-911	PANEL - SIDE RIGHT	PANNEAU - CÔTE DROITE	1	1	1	1
3	27206-011	PANEL - FRONT INNER	PANNEAU FRONTAL ARRIERE	1	1	1	1
4	27206-921	PANEL - INNER REAR	PANNEAU INTERIEUR ARRIERE	1	1	1	1
5	27246-901	GREASE SHIELD	PROTECTION CONTRE LA GRAISSE	1	1	1	1
6	27006-91	HEAT SHIELD	PROTECTION CONTRE LA CHALEUR	3	3	3	3
7	27236-024	BURNER SUPPORT BRACKET	SUPPORT BRÛLEUR	1	1	1	1
8	S21232	PUZZLE CLIP	CLIP DE FIXATION	5	5	5	5
10	22306-024	PANEL - REAR COOKBOX	PANNEAU - RECIPIENT	1	1	1	1
12	22316-021	PANEL - HOOD	PANNEAU DE LA CUVE	1	1	1	1
13	27036-701	LIGHT PANEL - HOOD	PANNEAU LEGER DE LA CUVE	1	1	1	1
18	22005-281	GRID - PORCELAIN	GRILLE EN PORCELAINE	5	5	5	5
20	22006-991	GRID - WARMING RACK	GRILLE - MAINTIEN AU CHAUD	1	1	1	1
22	22226-014	COLLECTOR BOX - FRONT LOWER	RECIPIENT - FRONTAL INFERIEUR	1	1	1	1
24	22216-014	COLLECTOR BOX - FRONT UPPER	RECIPIENT - FRONTAL SUPERIEUR	1	1	1	1
25	22909-104LP	BURNER	BRÛLEUR	5	•	5	•
	22909-104NG	BURNER	BRÛLEUR	•	5	•	5
26	22001-768	CONTROL KNOB	BOUTON DE CONTROLE	5	5	5	5
26A	22001-668	CONTROL KNOB	BOUTON DE CONTROLE	2	2	2	2
27	22002-268	CONTROL BEZEL	MONTURE DE CONTROLE	5	5	5	5
27A	22001-168	CONTROL BEZEL	MONTURE DE CONTROLE	2	2	2	2
28	22006-494	CONTROL COVER	PANNEAU DE CONTROLE	1	1	1	1
34	S13470-091	HOSE-SIDE BURNER LP	TUYAU DU BRULEUR LATERAL PL	1	•	1	•
	S13470-132	HOSE-SIDE BURNER NG	TUYAU DU BRULEUR LATERAL GN	•	1	•	1
35	29006-074	CONTROL ASSEMBLY	SOUPAPE	1	•	1	•
	29006-077	CONTROL ASSEMBLY	SOUPAPE	•	1	•	1
36	10342-T18	ELECTRODE - SIDE BURNER	ELECTRODE - BRULEUR DE COTE	1	1	1	1
37	20809-957	TUBE-REAR BURNER ASSY	TUBE DE BRÛLEUR ARRIÈRE	1	1	1	1
38	Y-11990	HEX NUT	ÉCROU	1	1	1	1
40	10114-20	HOSE & REGULATOR	TUYAU ET REGULATEUR PL	1	•	1	•
	10111-K45	HOSE NATURAL GAS	TUYAU (GAZ NATUREL)	•	1	•	1
42	10342-T17	ELECTRODE	ELECTRODE	1	1	1	1
43	10342-E13	ELECTRODE	ELECTRODE	3	3	3	3
44	10342-251	ELECTRONIC IGNITOR	ALLUMAGE ÉLECTRONIQUE	1	1	1	1
48	22009-901	GREASE PAN	CUVETTE A GRAISSE	1	1	1	1
49	27056-901	GREASE TRAY	PLATEAU A GRAISSE	1	1	1	1
51	22209-904	FLAV-R-WAVE ®	FLAV-R-WAVE ®	5	5	5	5
52	26109-331	SIDE PANEL - CRESENT LEFT	PANNEAU LATERAL - GAUCHE	1	1	1	1
53	26109-311	SIDE PANEL - CRESENT RIGHT	PANNEAU LATERAL - DROITE	1	1	1	1
54	26306-301	LID - OUTER PANEL	COUVERCLE - PANNEAU EXTERIEUR	1	1	•	•
	26306-304	LID - OUTER PANEL	COUVERCLE - PANNEAU EXTERIEUR	•	•	1	1
55	26206-90	LID - INNER PANEL	COUVERCLE - PANNEAU INTERIEUR	1	1	1	1
56	26006-34	HANDLE	POIGNÉE	1	1	1	1
57	26006-305	STRAP - HANDLE	COURROIE - POIGNÉE	1	1	1	1
59	10081-BK603	NAMEPLATE	PLAQUE D'IDENTIFICATION	1	1	1	1
60	10571-6	HEAT INDICATOR	INDICATEUR DE CHALEUR	1	1	1	1
65	C12505	MATCH LIGHT - STICK	ALLUMETTES	1	1	1	1
67	C12504	MATCH LIGHT - CHAIN	ALLUMETTES	1	1	1	1
68	21276-311A	DOOR	PORTE	1	1	•	•
	21276-314A	DOOR	PORTE	•	•	1	1
69	21276-331A	DOOR	PORTE	1	1	•	•
	21276-334A	DOOR	PORTE	•	•	1	1
70	21475-138	HANDLE	POIGNÉE	2	2	2	2
78	21076-905	BRACKET - DOOR CATCH	CROCHET DE PORTE	1	1	1	1
80	21109-905	SIDE PANEL	PANNEAU LATERALE	2	2	2	2
82	25208-205	CABINET SHELF	L'ETAGERE DU CABINET	1	1	1	1
83	21036-905	CABINET SHELF SUPPORT	SUPPORT POUR L'ETAGERE	1	1	1	1
84	21526-375	BASE - TANK	TABLETTE INFERIEUR	1	•	1	•
85	21526-395	BRACKET - TANK BASE	SUPPORT DU RESERVOIR	1	•	1	•
86	50001543	SLIDE - TANK BASE	TIROIR TABLETTE DE BARBONE	1	•	1	•
88	21306-925	PANEL - REAR	PANNEAU - ARRIÈRE	1	1	1	1
90	21096-955	BASE	TABLETTE INFERIEURE	1	1	1	1
100	21039-915	BRACKET - CASTOR SUPPORT	SUPPORT DE ROULLETTE	2	2	2	2
102	10892-23	CASTOR	ROULETTES	4	4	4	4
103	21009-995	BRACKET - CYLINDER LP	SUPPORT DU RESERVOIR PL	1	•	1	•
110	23030-635	SHELF BRACKET	CROCHETS PLATEAU	2	2	2	2
111	23030-615	SHELF BRACKET	CROCHETS PLATEAU	2	2	2	2

## PARTS LIST / LISTE DES PIECES

<u>KEY #</u>	<u>ITEM #</u>	<u>DESCRIPTION</u>	<u>DESCRIPTION</u>	<u>9781-84</u>	<u>9781-87</u>	<u>9785-84</u>	<u>9785-87</u>
112	20409-934	STRAP - HANDLE	COURROIE - POIGNÉE	4	4	4	4
114	23101-614	SHELF	PLANCHETTE LATÉRALE	1	1	1	1
115	23100-654	SHELF	PLANCHETTE LATÉRALE	1	1	1	1
116	23401-631	SHELF FRONT	PLANCHETTE FRONTALE	1	1	1	1
116A	23401-611	SHELF FRONT	PLANCHETTE FRONTALE	1	1	1	1
117	23009-608	HANDLE	POIGNEE	2	2	2	2
124	23000-271	SIDE BURNER BODY	SUPPORT DE BRULEUR DE COTE	1	1	1	1
125	23000-254	SIDE BURNER COVER	COUVERCLE LATÉRAL	1	1	1	1
126	23909-20	SIDE BURNER	BRULEUR DE COTE	1	1	1	1
128	23009-98	GRID	GRILLE	1	1	1	1
130	27906-35	BURNER ROTISSERIE	BRÛLEUR DE TOURNEBROCHE	1	1	1	1
131	10693-109	REAR BURNER-ORIFICE	ORIFICE DU BRÛLEUR ARRIÈRE	1	•	1	•
	10693-160	REAR BURNER-ORIFICE	ORIFICE DU BRÛLEUR ARRIÈRE	•	1	•	1
133	S15271	HANDLE	POIGNEE	1	1	1	1
134	S15270	BALANCER	CONTREPOIS	1	1	1	1
135	S15299	WASHER	RONDELLE	1	1	1	1
136	S15263	BUSHING	COL	1	1	1	1
137	S15259	SPIT ROD	BROCHETTE	1	1	1	1
138	S15287	4 PRONG FORKS	FOURCHETTE A 4 FOURCHON	2	2	2	2
139	27039-901	ROTISSERIE BRACKET	SUPPORT	1	1	1	1
140	S21125	SCREW #8 X 1/2	VIS #8 X 1/2	24	24	24	24
143	Y-12855	BOLT 1/4-20 X 3/8	BOULON 1/4-20 X 3/8	72	68	72	68
144	Y-12220	BUSHING	DOUILLE	2	2	2	2
145	S21235	HINGE PIN	GOUPILLE DE CHARNIÈRE	2	2	2	2
146	S21233	HITCH PIN CLIP	ATTACHE DE CHEVILLE	2	2	2	2
147	Y-11231	LID BUMPER	BUTOIR DU COUVERCLE	4	4	4	4
148	10240-20	DOOR PIN	GOUPILLE DE LA PORTE	2	2	2	2
149	10240-19	DOOR PIN	GOUPILLE DE LA PORTE	2	2	2	2
150	Y-12124	DOOR PIN CAP	DISTANZHALTERUNG	2	2	2	2
152	Y-12222	MAGNET	AIMANT	2	2	2	2
153	Y-12223	SNAP IN MAGNET	AIMANT	2	2	2	2
154	Y-11560	SCREW 1/4-20 X 1-1/2	VIS 1/4-20 X 1-1/3	4	4	4	4
155	S21124	SCREW #8 X 1/2	VIS #8 X 1/2	23	19	23	19
156	Y-11793	NUT 1/4-20	ECROU 1/4-20	18	14	18	14
157	Y-12835	SCREW #6-32 X 1/4	VIS #6-32 X 1/5	7	7	7	7
158	Y-12646	SCREW SHOULDER #8 X 1/2	VIS SHOULDER #8 X 1/3	2	2	2	2
159	S21124S	SCREW #8 X 1/2	VIS #8 X 1/2	4	•	4	•
160	Y-29304	BOLT #10-24 X 3/8	BOULON #10-24 X 3/8	33	33	33	33
161	Y-29310	SCREW #10-24 X 3/4	VIS #10-24 X 3/4	12	12	12	12
162	Y-29307	NUT #10-24	ECROU #10-24	4	4	4	4
163	S35094	SCREW #10-24 X 5/8	VIS #10-24 X 5/8	3	3	3	3
164	S21084	SCREW #14 X 5/8	VIS #14 X 5/8	4	4	4	4
165	Y-12125	DOOR PIN CAP	DISTANZHALTERUNG	2	2	2	2
166	Y-12126	DOOR PLUG	PRISE DE LA PORTE	2	2	2	2
167	Y-11987	BOLT 1/4-20 X 1	BOULON 1/4-20 X 1	6	6	6	6
168	Y-11208	WASHER	RONDELLE	2	2	2	2
169	S21061	WING NUT	ECROU PAPILLON	2	2	2	2
171	S15245	MOTOR	MOTEUR	1	1	1	1
173	S21362	SPRING	RESSORT	1	1	1	1
174	S21255	WASHER	RONDELLE	1	1	1	1
175	S21141	CARRIAGE BOLT - 1/4:20 X 5/8	BOULON - 1/4:20 X 5/8	1	1	1	1
176	Y-11598	WING NUT - 1/4	ECROU PAPILLON - 1/4	1	1	1	1
177	S21125S	SCREW #8 X 1/2	VIS #8 X 1/2	1	1	1	1
178	22949-504	REAR BURNER BAFFLE	ECRAN DE BRULEUR ARRIER	1	1	1	1
179	22339-304	ELECTRODE BRACKET	CROCHET D'ELECTRODE	1	1	1	1
180	S35095	SCREW #10-24 X 5/8	VIS #10-24 X 5/8	2	2	2	2
181	25070-90	LIGHT SWITCH	COMMUTATEUR LEGER	1	1	1	1
182	25020-71	OVEN LIGHT	LUMIERE DE FOUR	2	2	2	2
183	25090-90	POWER BAR	BARRE ELECTRIQUE	1	1	1	1
184	25080-90	TRANSFORMER	TRANSFORMATEUR	1	1	1	1
185	25050-71	WIRE - OVEN LIGHT	LE FIL - LUMIERE DE FOUR	1	1	1	1



