

This Owner's Manual is provided and hosted by [Appliance Factory Parts](#).



Broil King 9785-87 Owner's Manual

[Shop genuine replacement parts for Broil King 9785-87](#)



[Find Your Broil King Grill Parts - Select From 1350 Models](#)

----- Manual continues below part list -----

Available Replacement Parts for Broil King 9785-87

18013	LARGE PROBE HEAT INDICATOR
10081-BK630	NAMEPLATE HI BROIL KING BLACK ZINC
S21124	SCREW PHCP #8 X 12 +
Y-12220	S/B BUSHING SB 1.375 16 HEY
S15263	ROTISSERIE BUSHING
S15299	WASHER COUNTERWEIGHT ROTIS
S15270	ROTISSERIE COUNTERWEIGHT ASSY
S15271	ROTISSERIE HANDLE +
Y-11987	BOLT CARRIAGE 1/4-20x1.25 UNC+
18433	OEM FLAV R WAVE - REGAL/IMPERIAL
Y-12223	MAGNET SNAP IN - DOOR
Y-12222	MAGNET - DOOR
23000-253	SIDE BURNER LID IR SS
23000-271	SIDE BURNER BODY BASE
22009-901	GREASE PAN FORMED +
10342-E13	ELECTRODE W/WIRE
10342-T18	WIRE ELECTRODE S/B 600 +
11051	burner, Read Ext info please...
99041	heat plate, ss, 17.5625 x 6.3125
20809-957	REAR BURNER TUBE ASSMBLY W/COMP. FITTING
10693-109	ORIFICE SPUD RB 1.09MM 5/16 32
S15245	ROTIS MOTOR-220V AC +
27006-91	HEAT SHIELD 625 GALVANIZED D
22006-991	WARMING RACK PORC COATED CI
29006-074	CONTROL ASSEMBLY LP 5V+SB+RB
27056-901	GREASE TRAY PORC FORMED 625
S15259	SPIT ROD 37 INCH CRS BRGHT NICKEL
10240-20	DOOR PIN TOP
10240-19	DOOR PIN BOTTOM
29006-077	CONTROL ASSEMBLY NG 5V+SB+RB

21475-138	DOOR HANDLE RESIN
23009-608	SHELF STRAP RESIN W/SS STRIP +
23100-654	SIDE SHELF INSERT LHS 430SS +
67845	grid, ci, 19.1875 x 30.3125; Master Forg
11229	EXACT FIT CAST GRID - REGAL/IMPERIAL
10693-160	ORIFICE SPUD 1.60MM 5/16-32
00475	heat indicator
21039-911	CASTER BRACKET BLACK
21036-991	GREASE RAIL 550/625
27906-354	REAR BURNER TUBULAR W/DEFLCTOR
10342-251	ELECTRONIC IGNITOR 5 POLE +
82316-021	FIREBOX 625 HOOD PANEL PORC
20005-000	HARDWARE BAG STICK & CHAIN SS
25070-90	SWITCH - OVEN LIGHT
10892-23	CASTER RUBBER 3 INCH W/PLATE
Y-99101	DRAWER SLIDE SET LHS & RHS 16 INCH
18633	BURNER - REGAL/IMPERIAL
25080-90	TRANSFORMER ASSY GPB
22006-494	CONTROL COVER 5V SB RB W/ LS HOLE
52016-903	COLLECTOR BOX ASSEMBLY 625
80012	regulator and hose READ ADD. INFO
03335	SPARK MODULE 5 PORT
04831	ELECTRODE WITH WIRE
57039-901	ROTISSERIE BRACKET BLK
50502	HEAVY DUTY MEAT FORKS
10390-R81A	SIDE BURNER ASSY
23009-99	SIDE BURNER TRIVET CI
17000	CONTROL KNOB - SMALL BLACK
17010	CONTROL KNOB RESIN LRG BLACK
10111-K45	HOSE 3/8 INCH ASSEMBLY NG 10 FOOT +
Y-11990	NUT HEX BRASS 3/8 27 RB LINE
22001-168	CONTROL KNOB BEZEL SML
22002-268	CONTROL KNOB BEZEL LARGE

[23101-613](#)

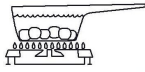
SIDE SHELF - RIGHT SS430

Broil King®

REDDI-BILT BARBECUES

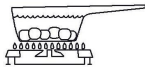
ASSEMBLY MANUAL & PARTS LIST

MANUEL DE MONTAGE & LISTE DE PIÈCES



Broil King

REGAL 590
9785-84
9785-87



Broil King

REGAL 625
9781-84
9781-87

RETAIN FOR FUTURE REFERENCE

VEUILLEZ CONSERVER POUR REFERENCE ULTERIEURE

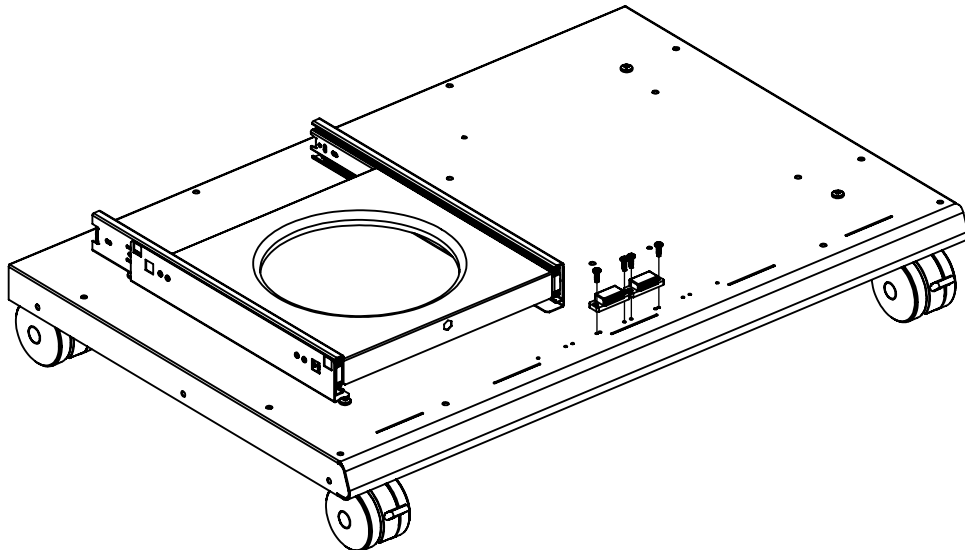
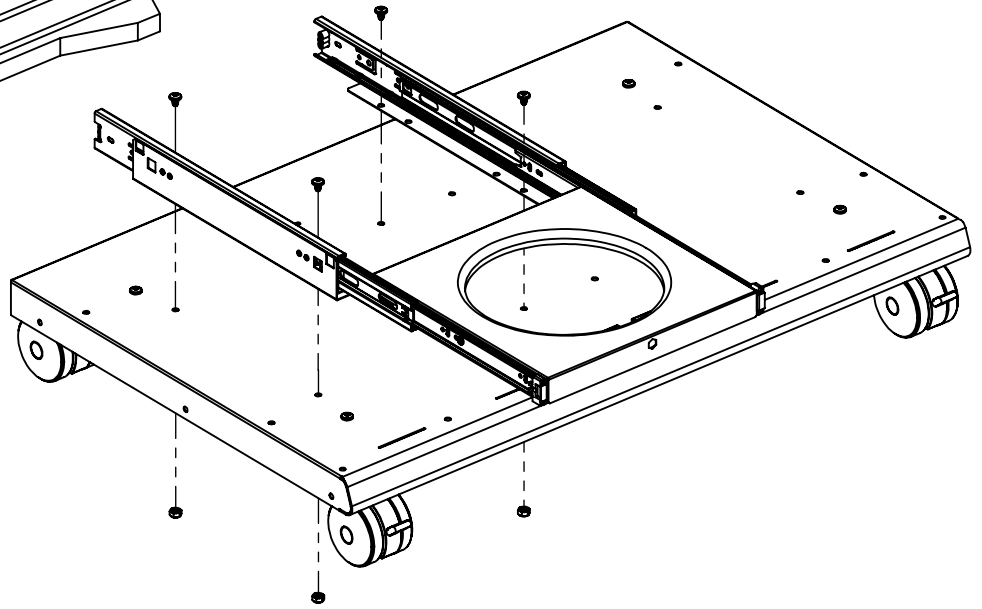
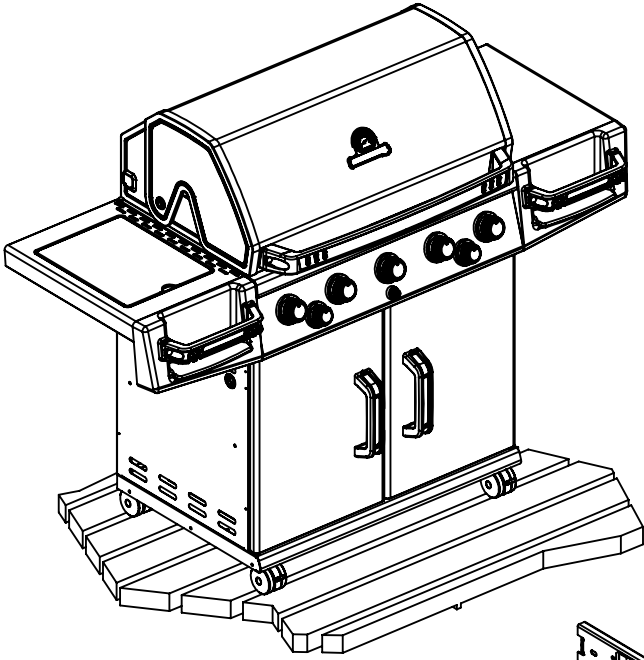
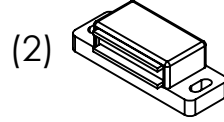
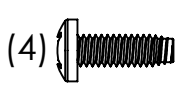
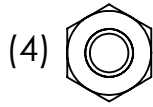
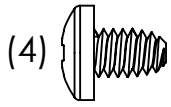
1-800-265-2150

info@omcbbq.com

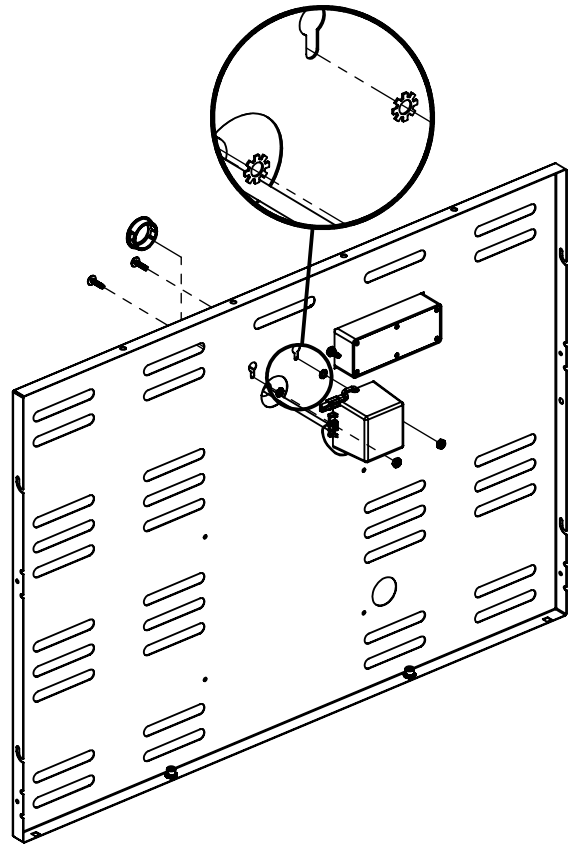
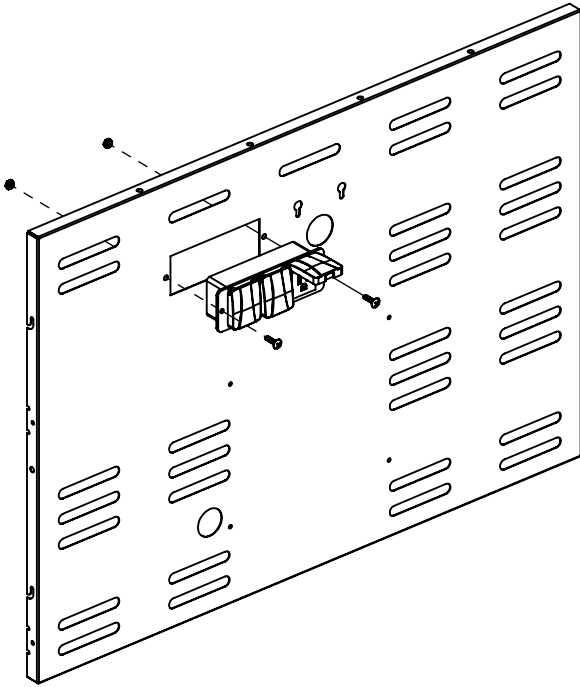
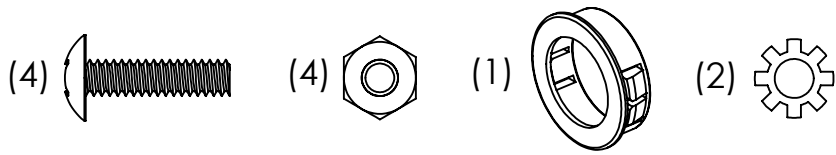
Onward
MANUFACTURING COMPANY
SINCE 1906
585 KUMPF DRIVE LIMITED
WATERLOO, ONTARIO, CANADA
N2V 1K3

20084-E71 04/10

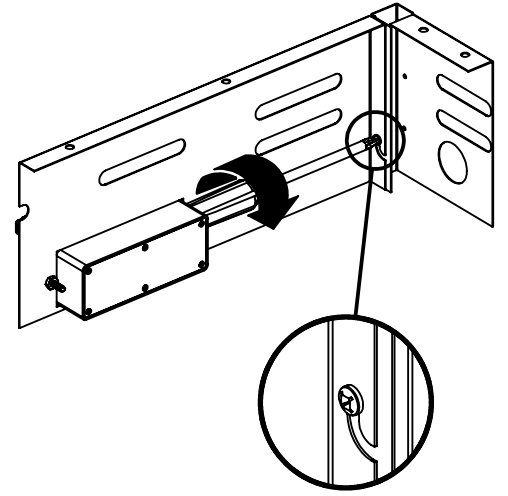
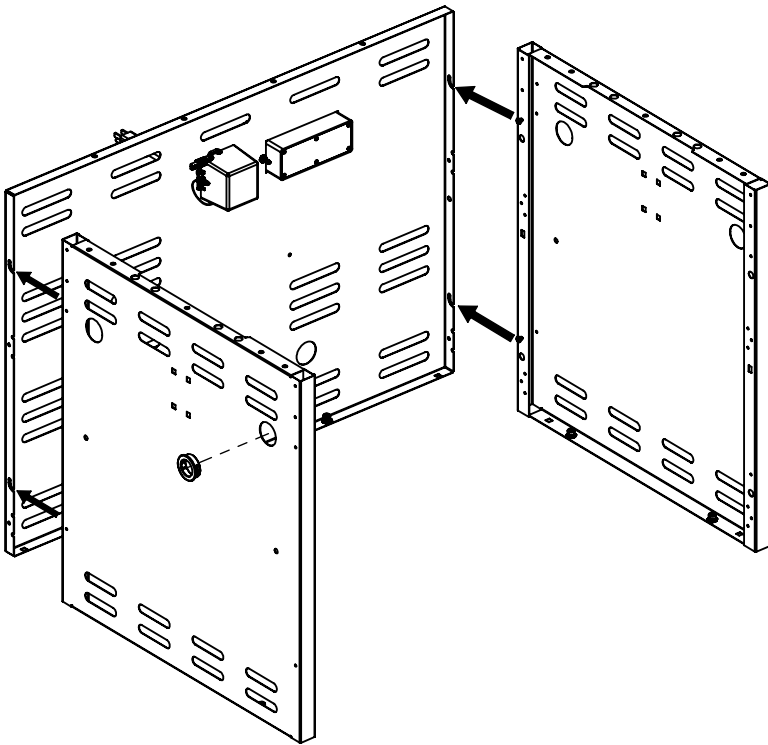
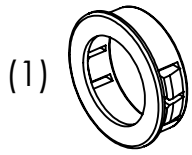
1



2

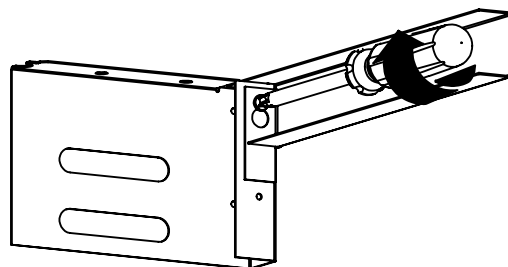
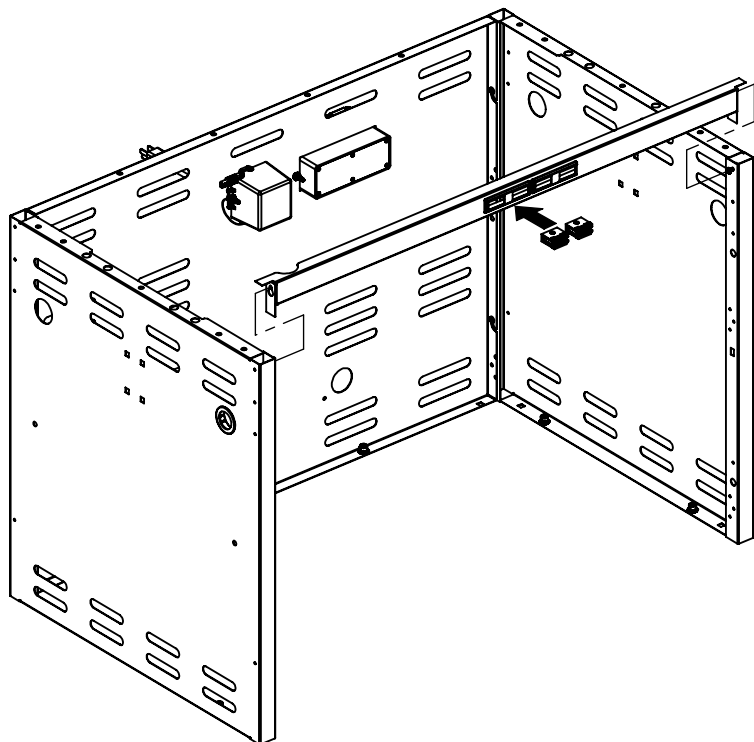


3



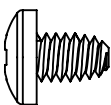
4

(2)

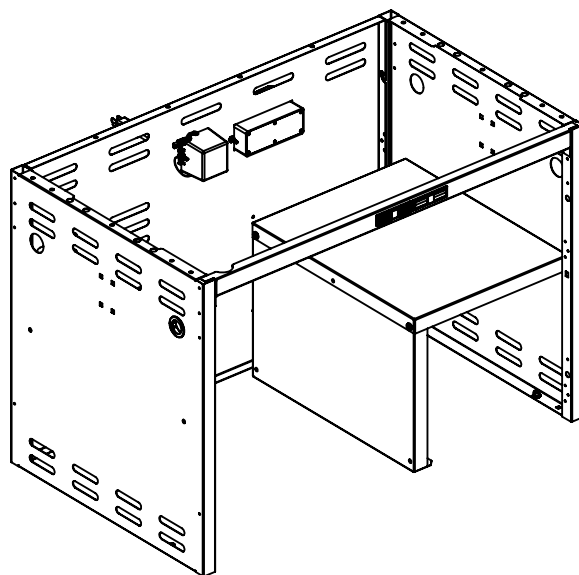
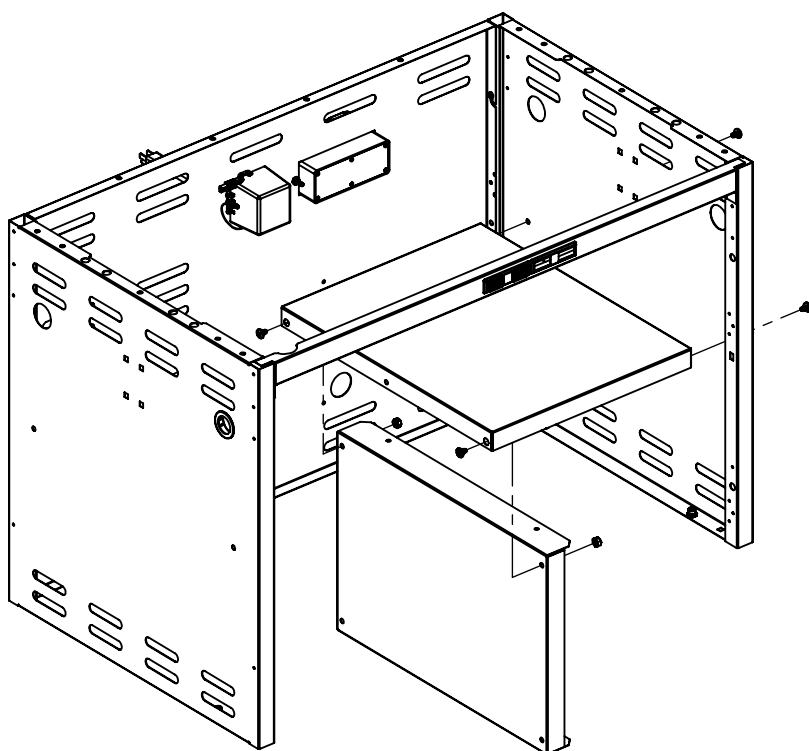
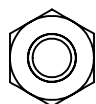


5

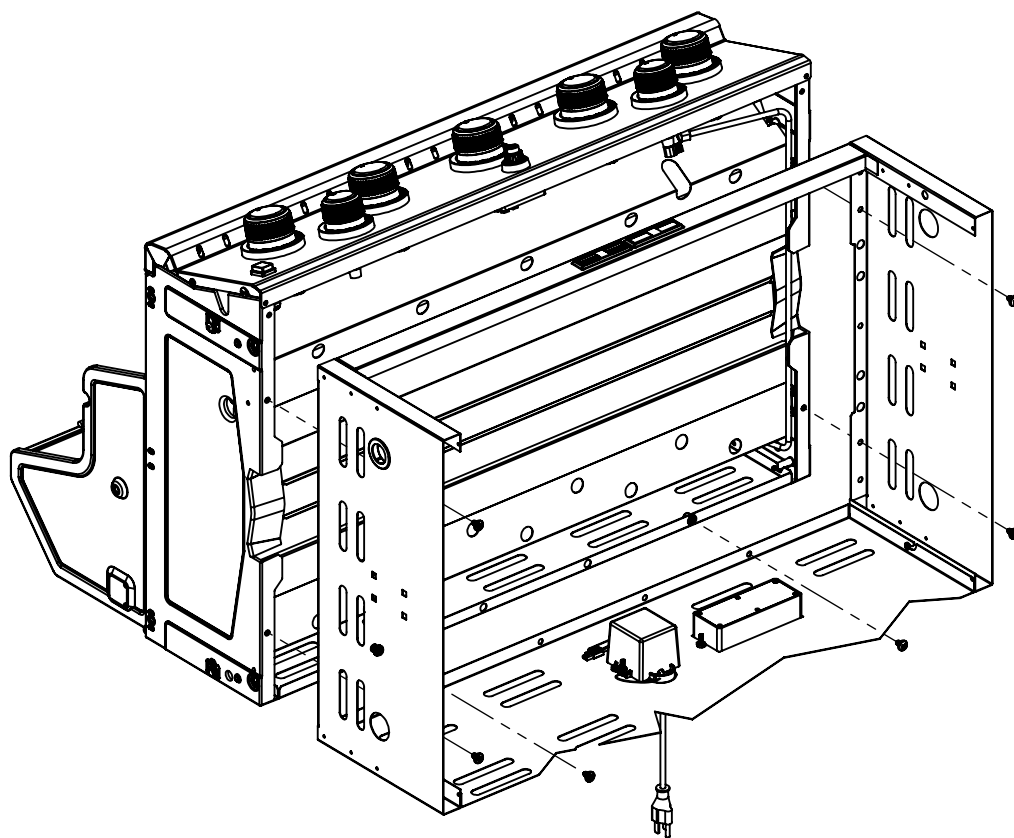
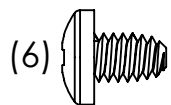
(4)



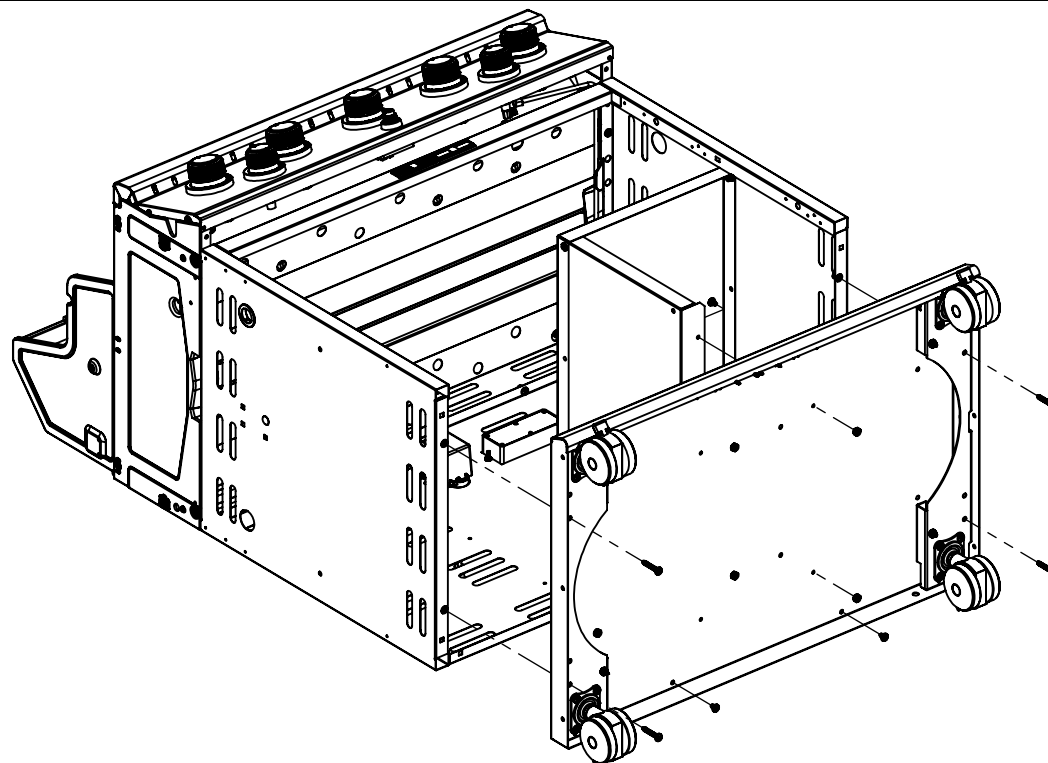
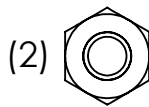
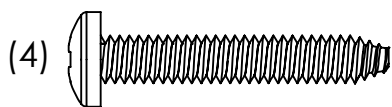
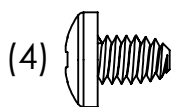
(2)



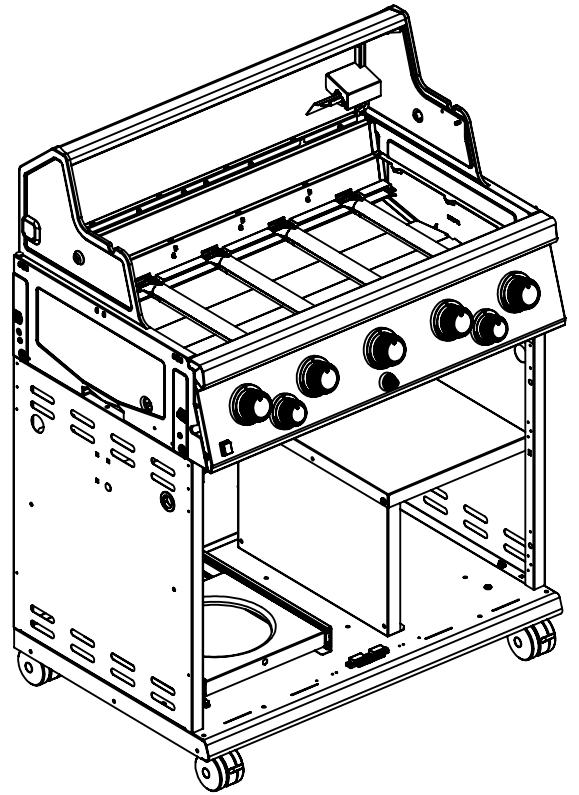
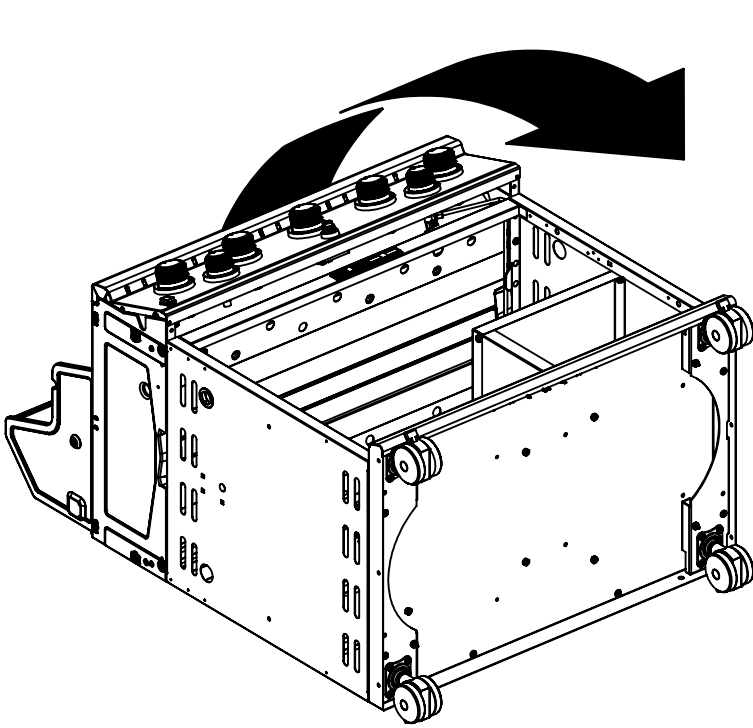
6



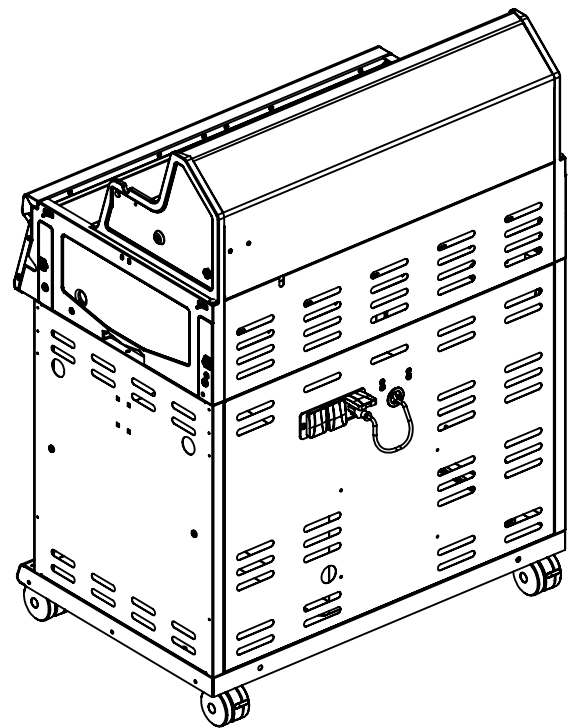
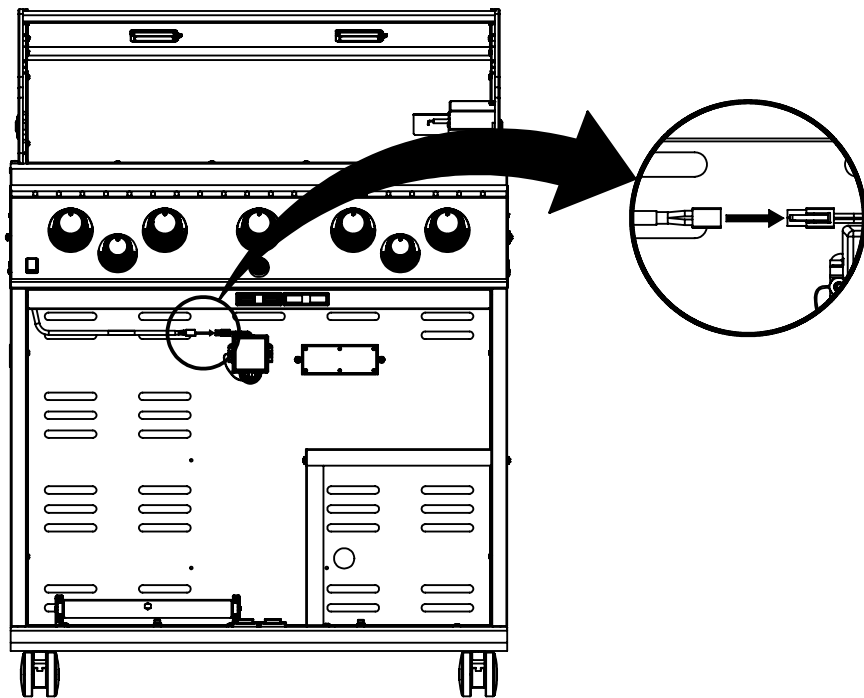
7



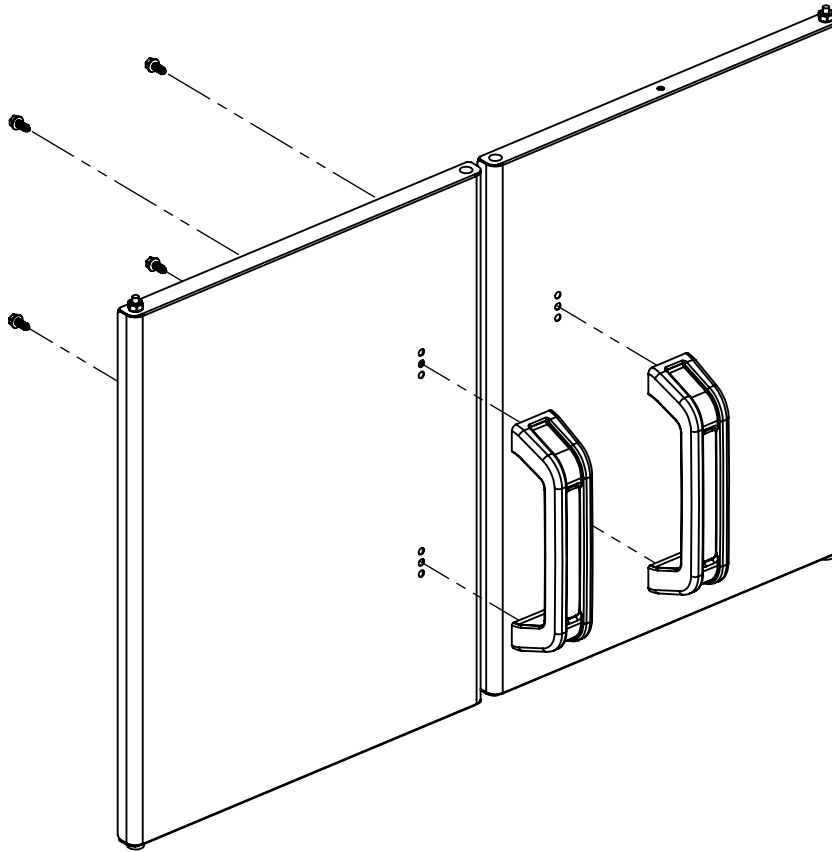
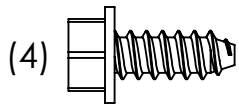
8



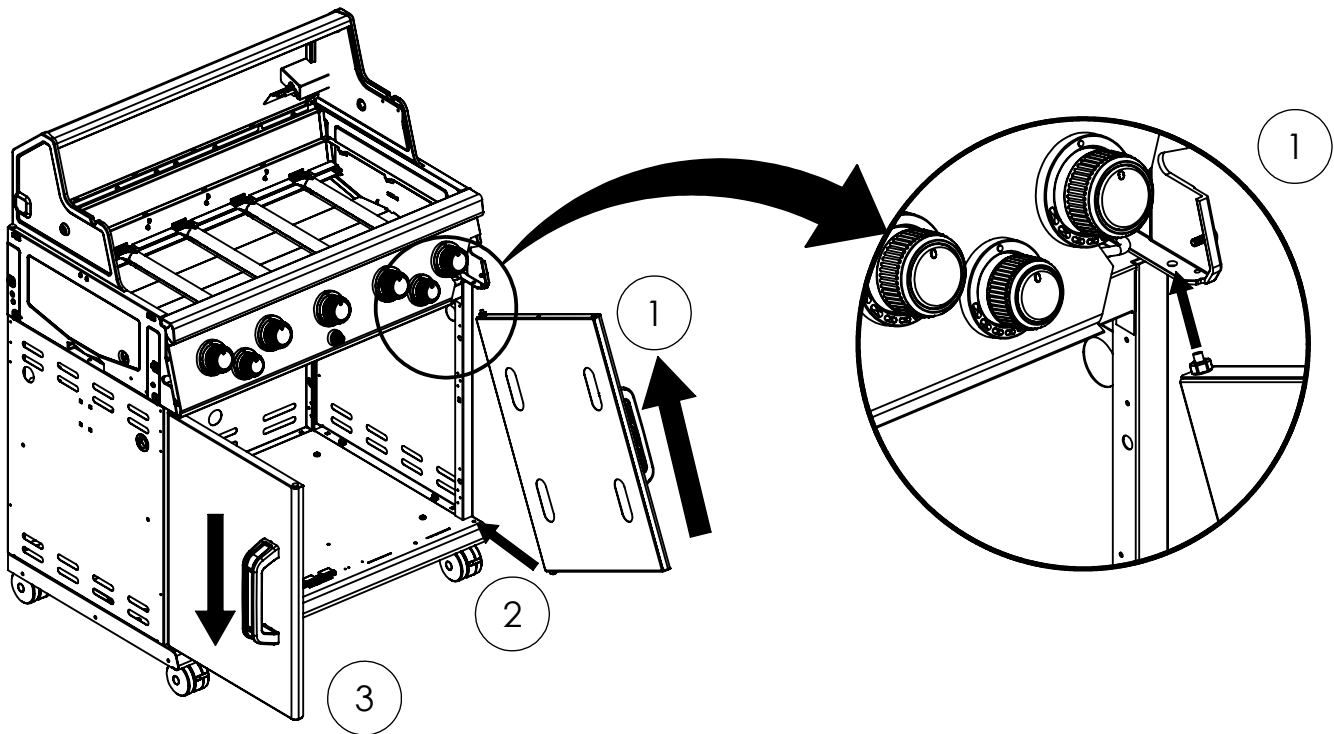
9



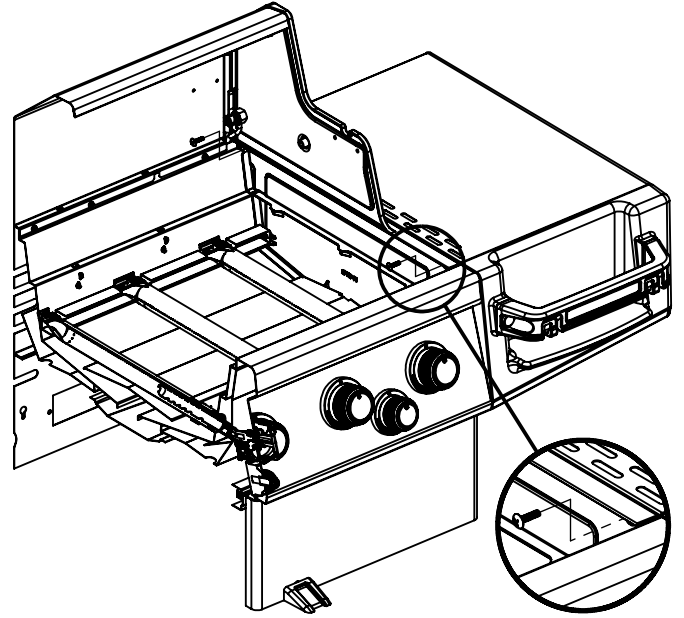
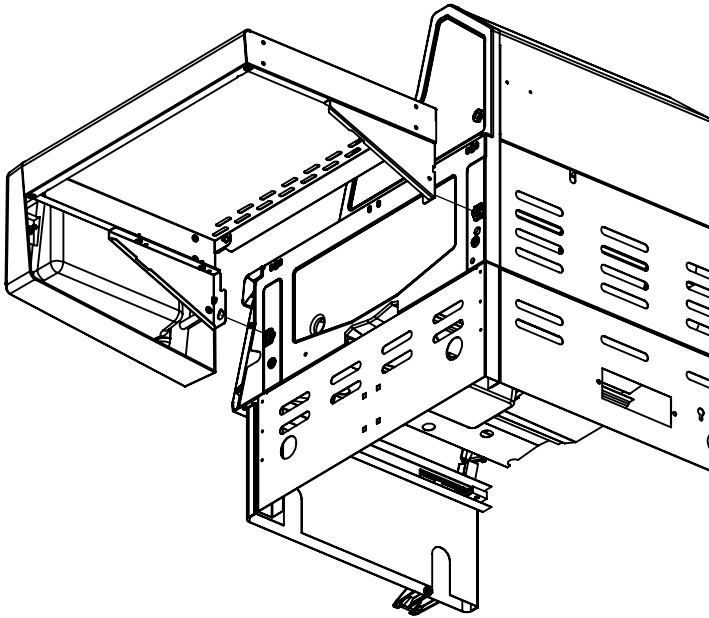
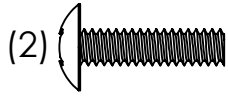
10



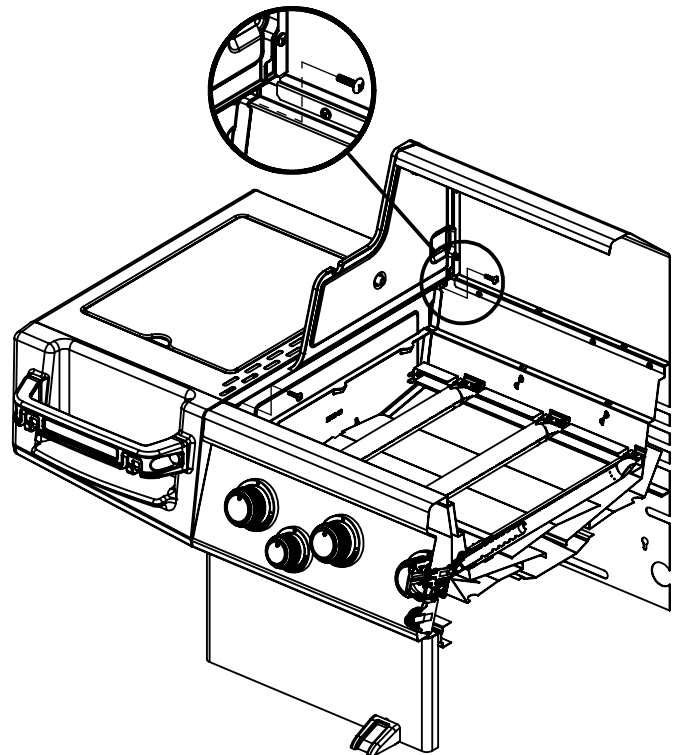
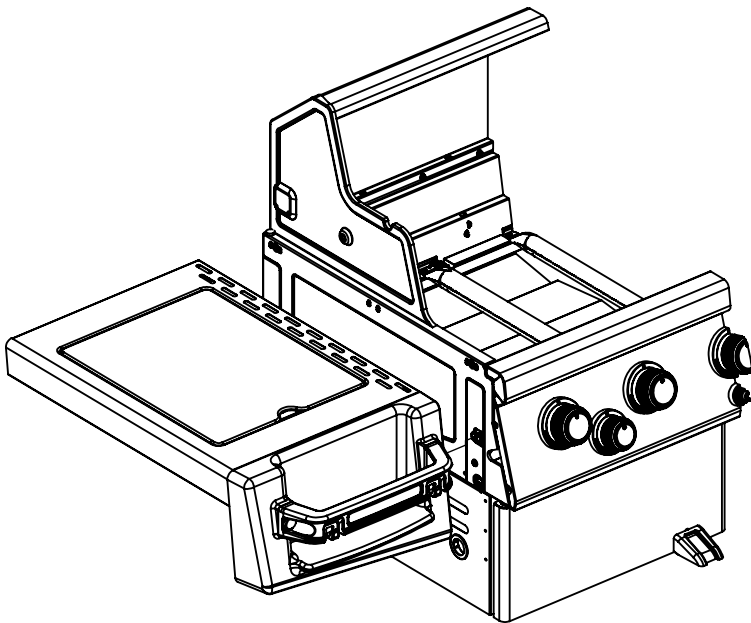
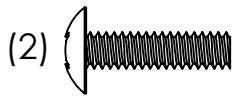
11



12

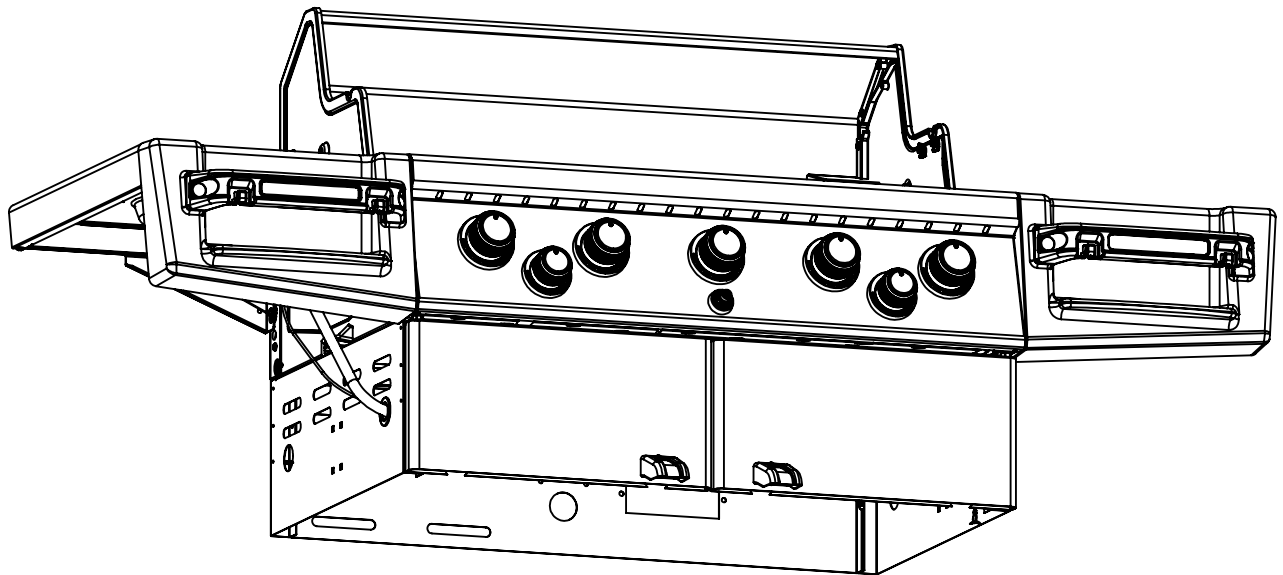
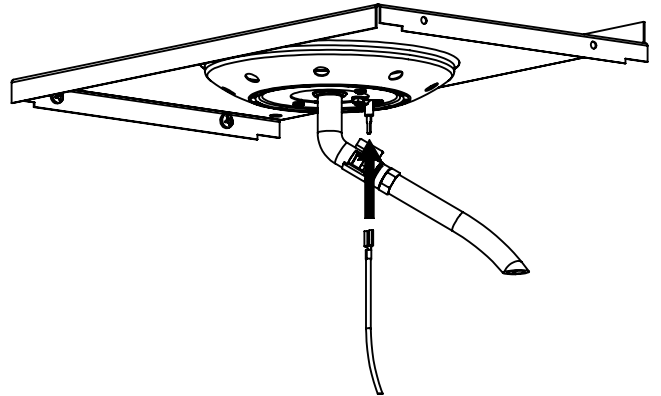
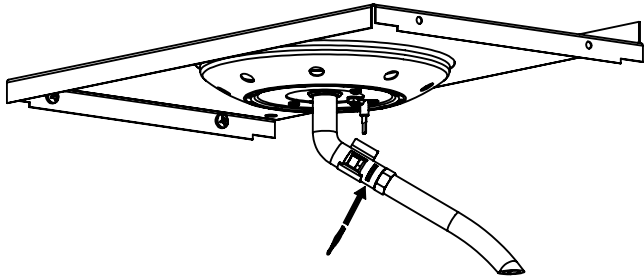
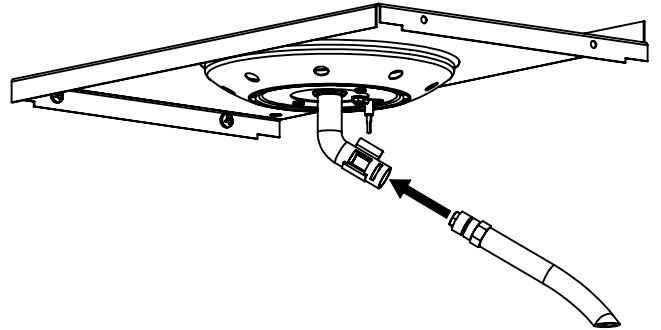
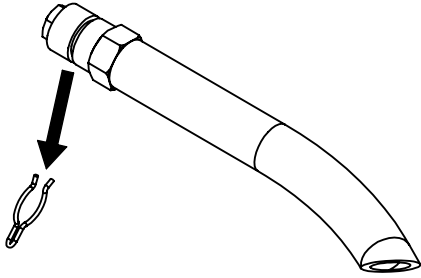
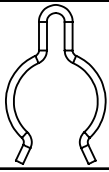


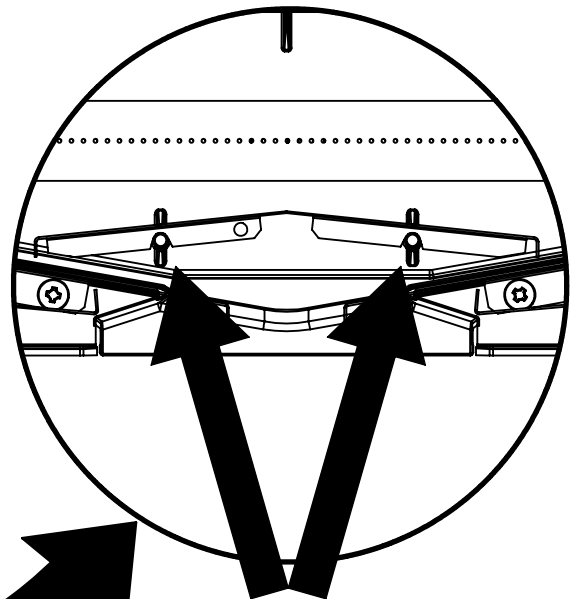
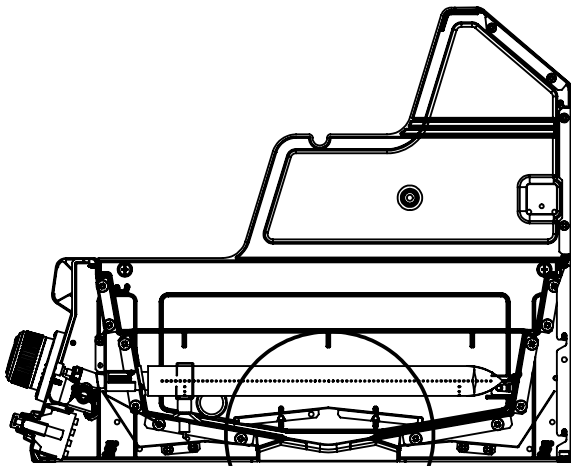
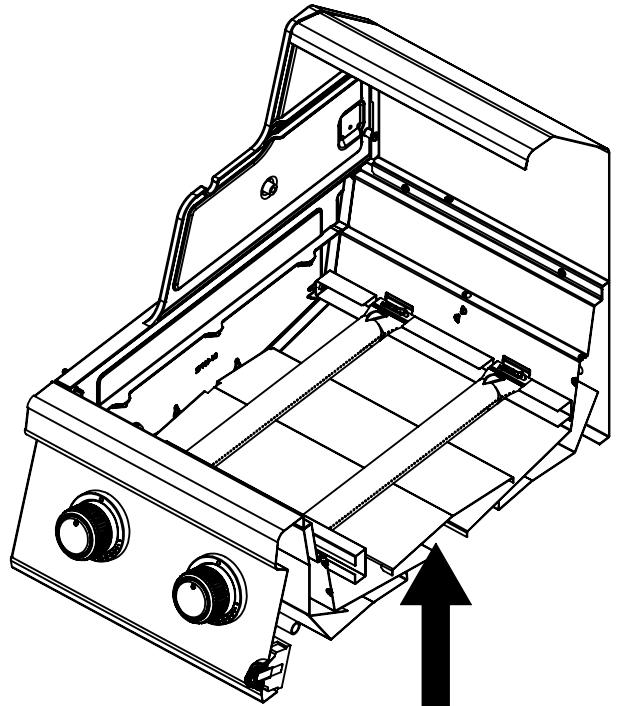
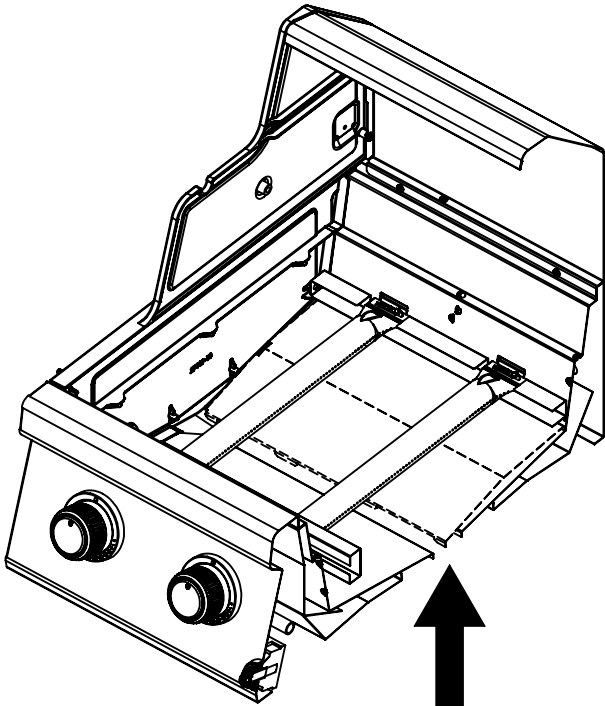
13



14

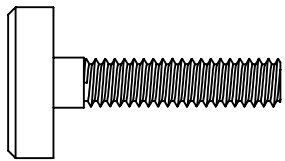
(1)



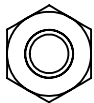


16

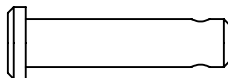
(2)



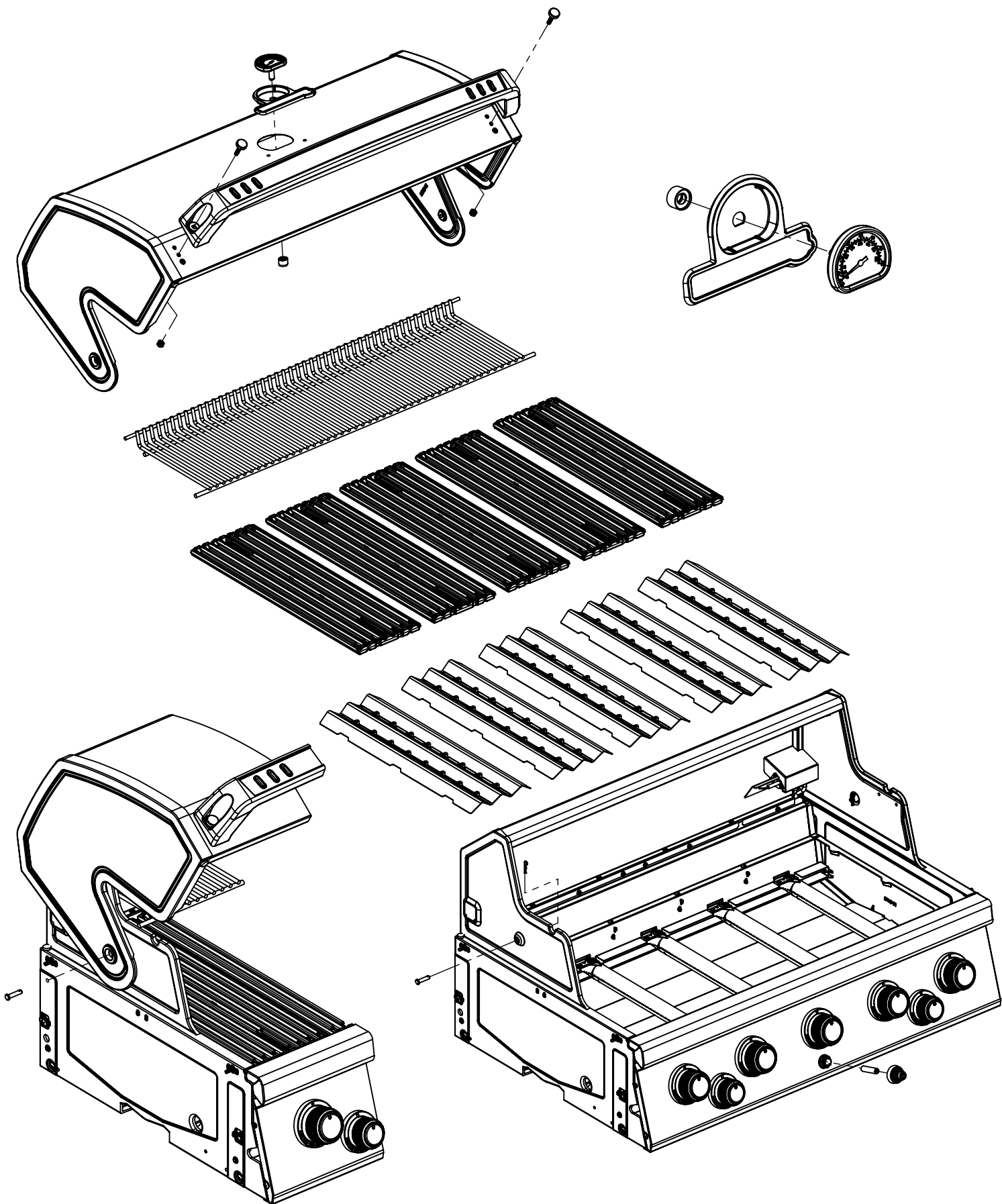
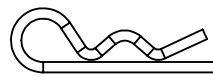
(2)



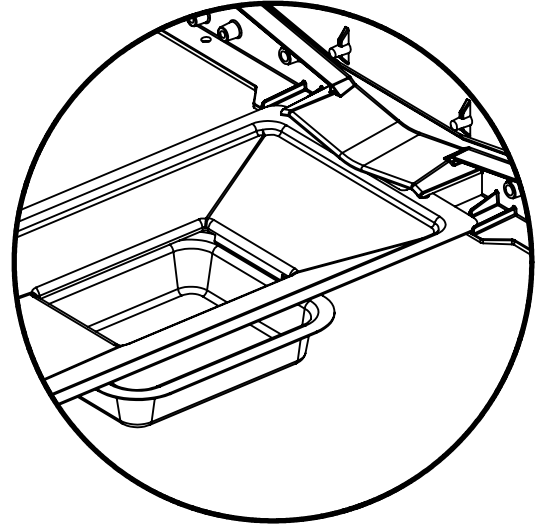
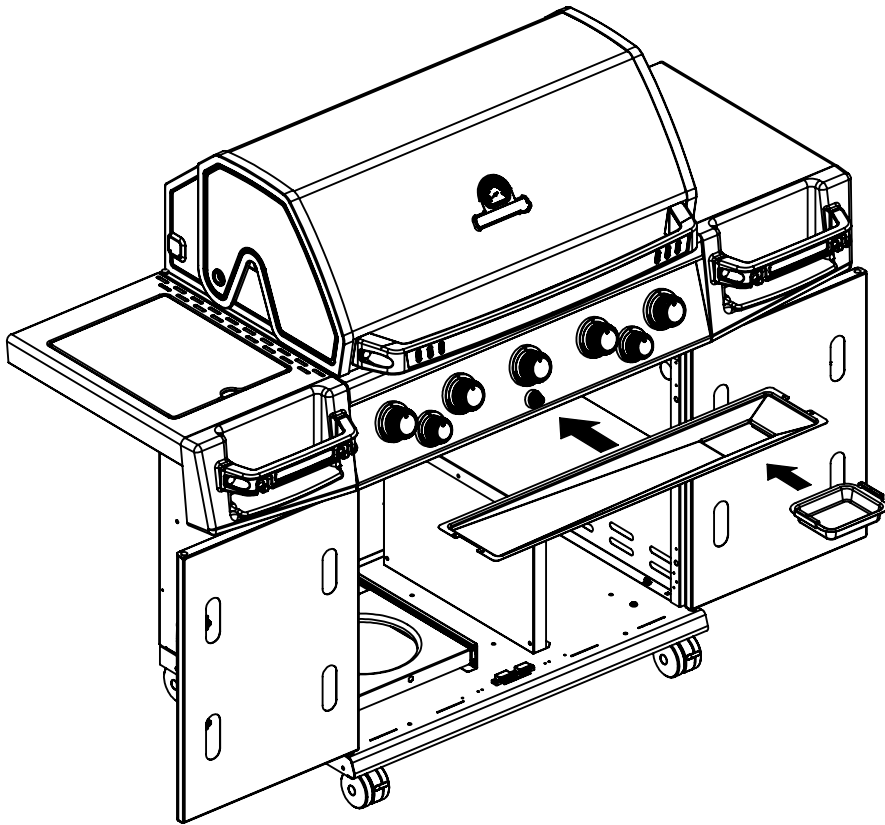
(2)



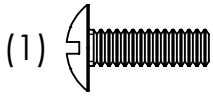
(2)



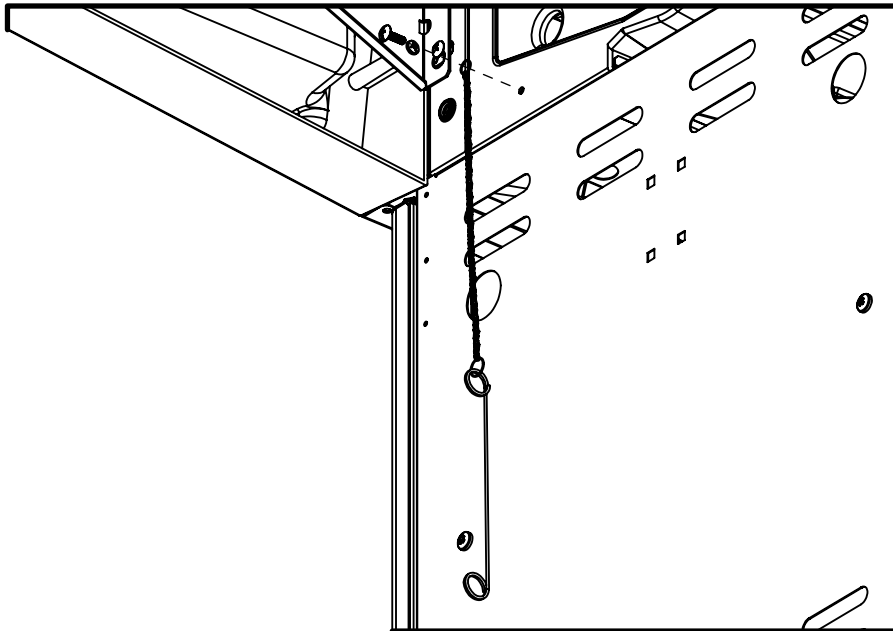
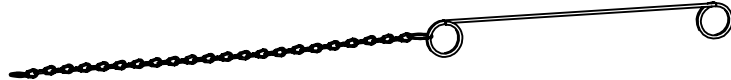
17

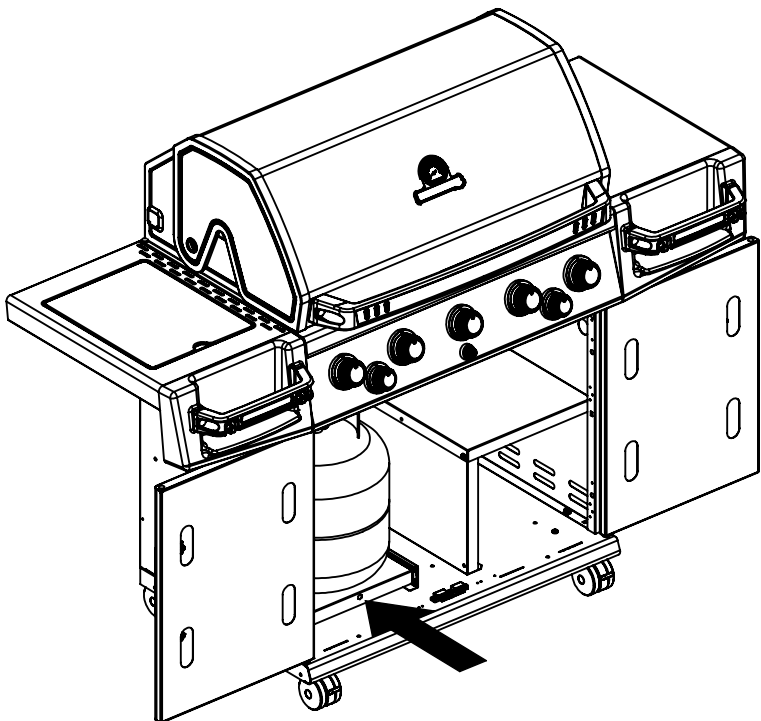
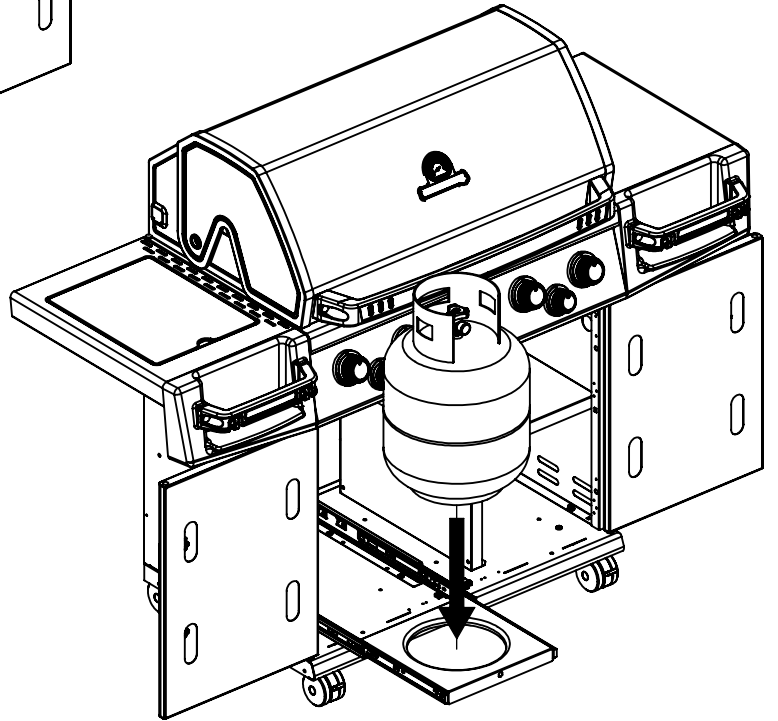
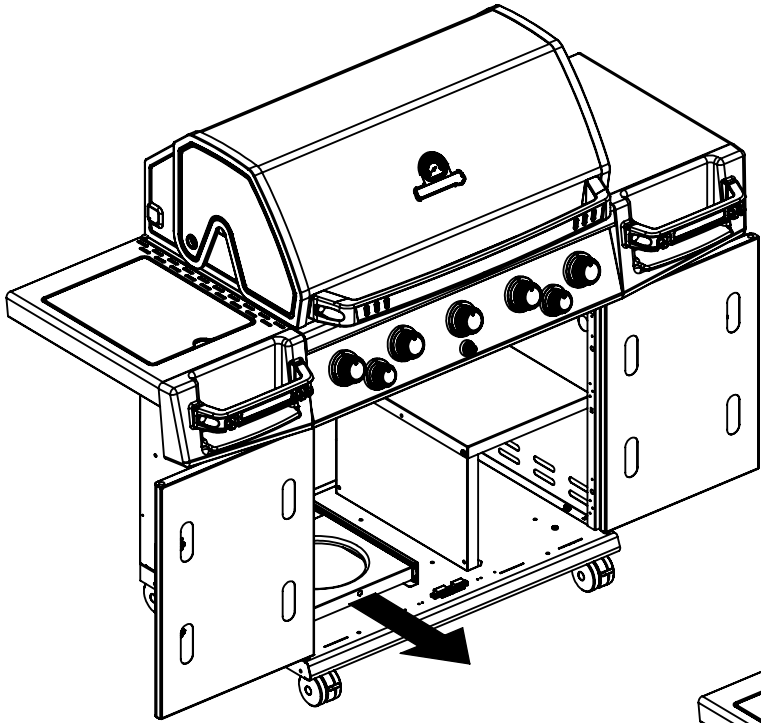


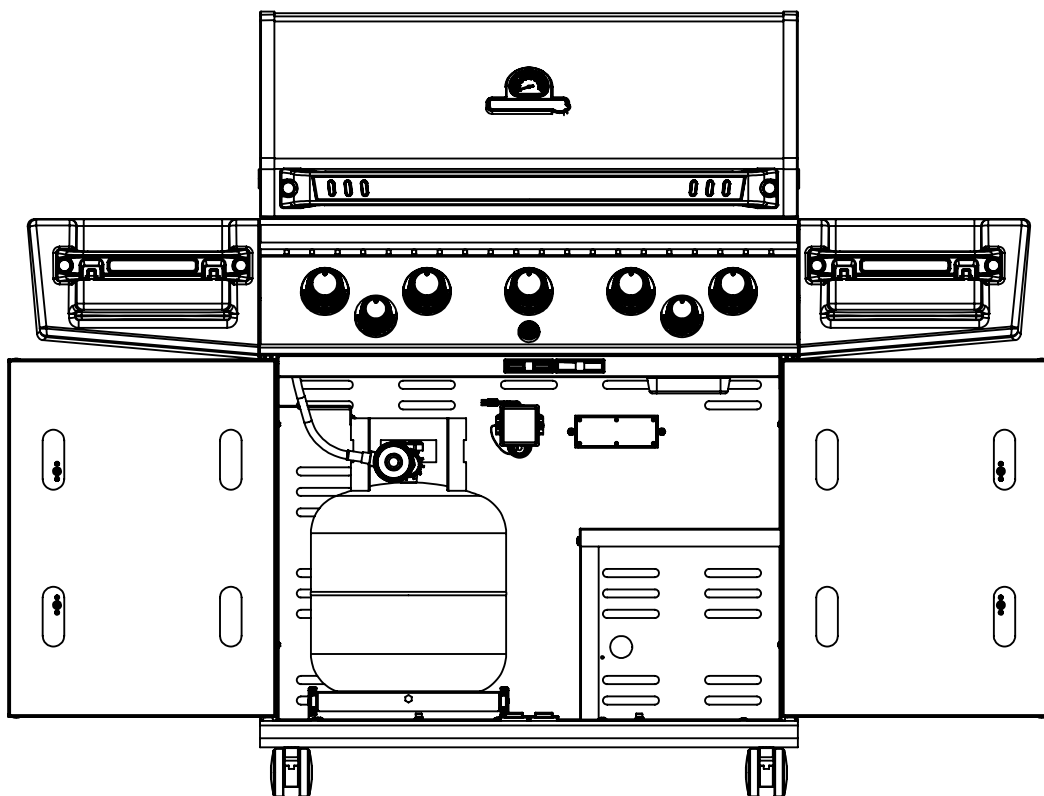
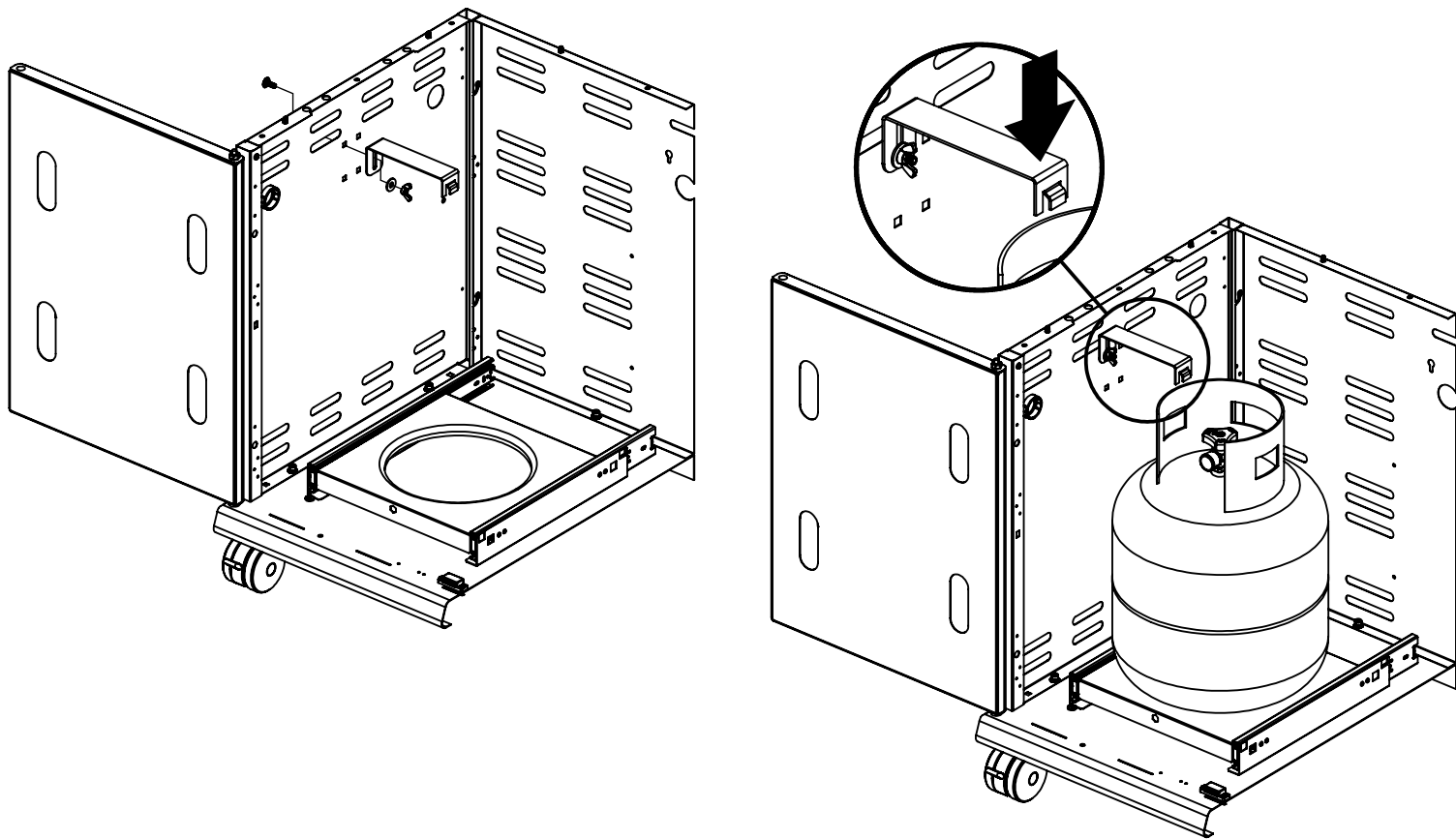
18



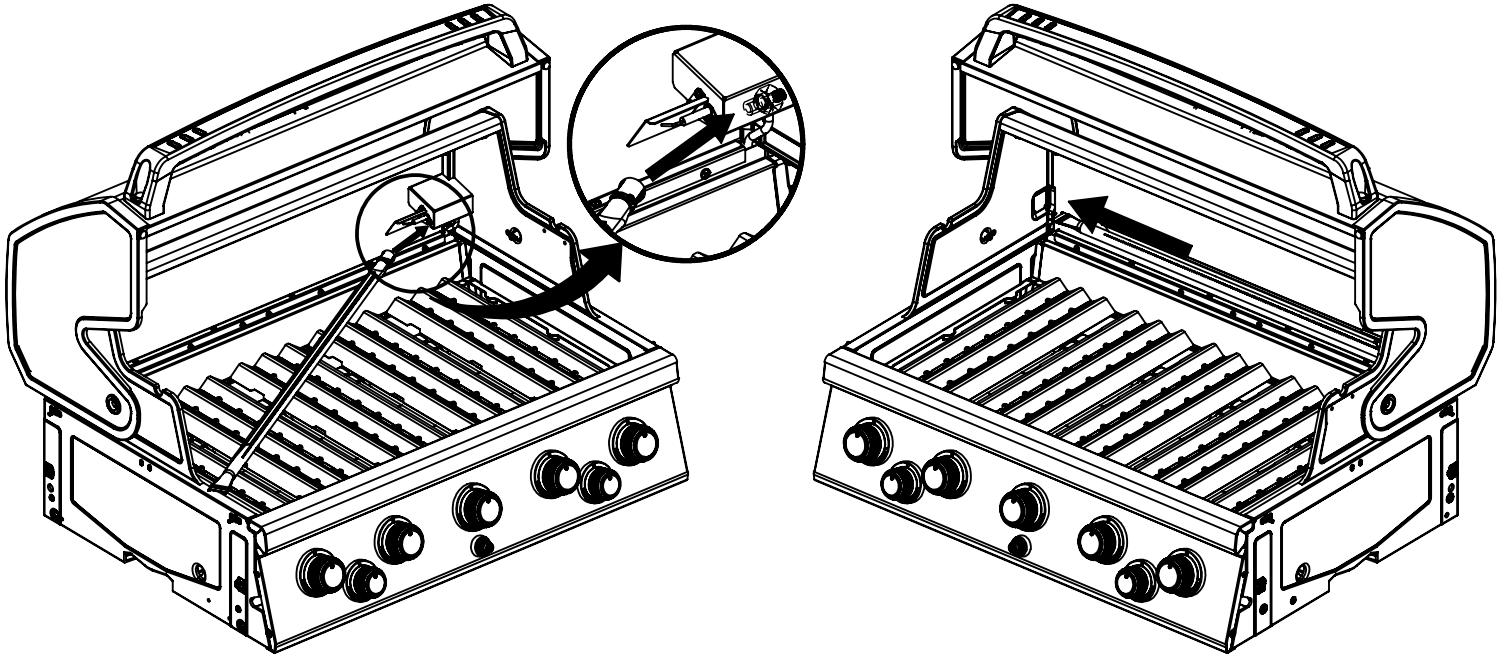
(1)



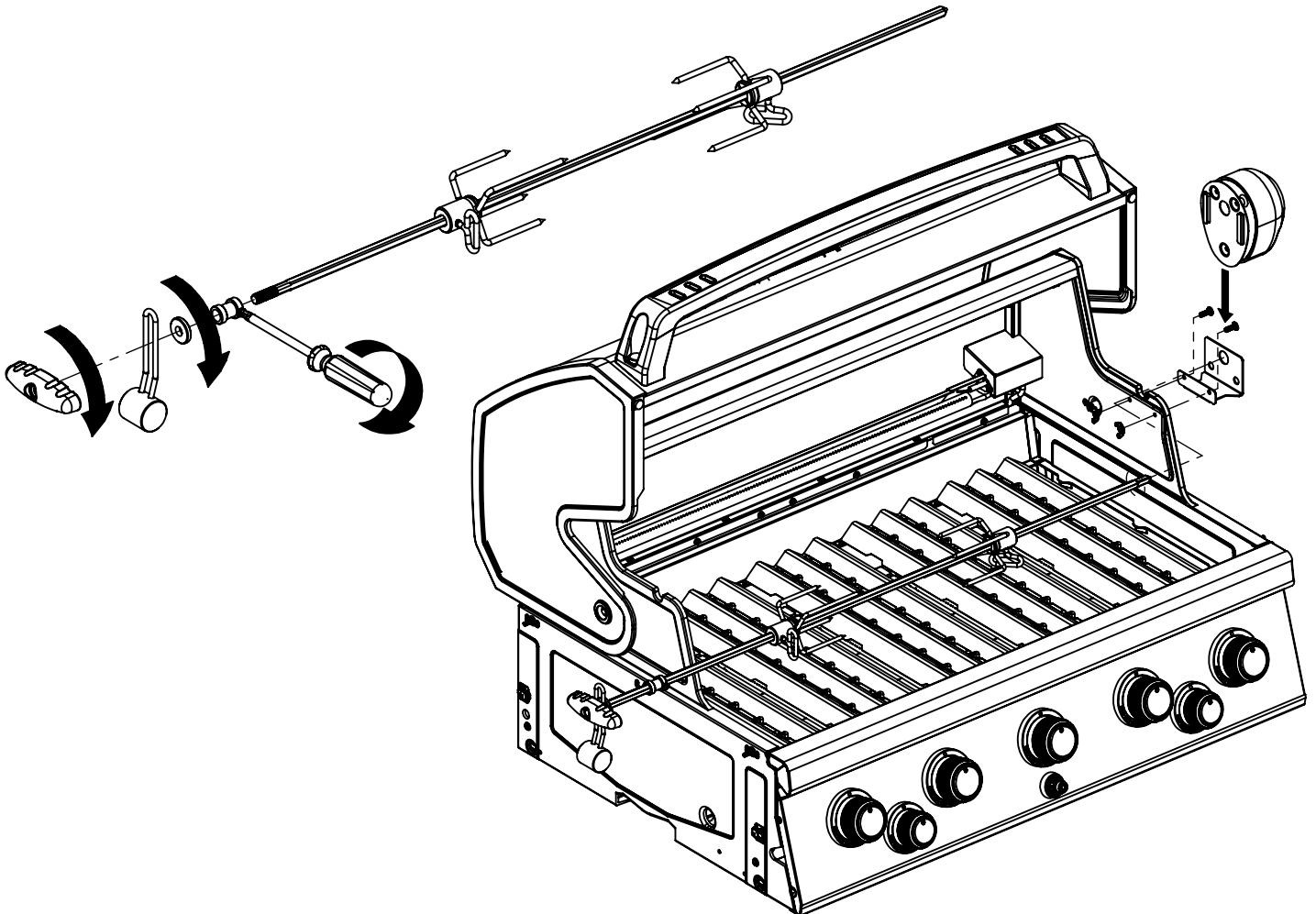
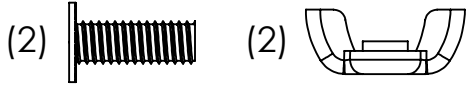




21



22



PARTS LIST / LISTE DES PIECES

<u>KEY #</u>	<u>ITEM #</u>	<u>DESCRIPTION</u>	<u>DESCRIPTION</u>	<u>9781-84</u>	<u>9781-87</u>	<u>9785-84</u>	<u>9785-87</u>
1	27109-931	PANEL - SIDE LEFT	PANNEAU - CÔTE GAUCHE	1	1	1	1
2	27109-911	PANEL - SIDE RIGHT	PANNEAU - CÔTE DROITE	1	1	1	1
3	27206-011	PANEL - FRONT INNER	PANNEAU FRONTAL ARRIERE	1	1	1	1
4	27206-921	PANEL - INNER REAR	PANNEAU INTERIEUR ARRIERE	1	1	1	1
5	27246-901	GREASE SHIELD	PROTECTION CONTRE LA GRAISSE	1	1	1	1
6	27006-91	HEAT SHIELD	PROTECTION CONTRE LA CHALEUR	3	3	3	3
7	27236-024	BURNER SUPPORT BRACKET	SUPPORT BRÛLEUR	1	1	1	1
8	S21232	PUZZLE CLIP	CLIP DE FIXATION	5	5	5	5
10	22306-024	PANEL - REAR COOKBOX	PANNEAU - RECIPIENT	1	1	1	1
12	22316-021	PANEL - HOOD	PANNEAU DE LA CUVE	1	1	1	1
13	27036-701	LIGHT PANEL - HOOD	PANNEAU LEGER DE LA CUVE	1	1	1	1
18	22005-281	GRID - PORCELAIN	GRILLE EN PORCELAINE	5	5	5	5
20	22006-991	GRID - WARMING RACK	GRILLE - MAINTIEN AU CHAUD	1	1	1	1
22	22226-014	COLLECTOR BOX - FRONT LOWER	RECIPIENT - FRONTAL INFERIEUR	1	1	1	1
24	22216-014	COLLECTOR BOX - FRONT UPPER	RECIPIENT - FRONTAL SUPERIEUR	1	1	1	1
25	22909-104LP	BURNER	BRÛLEUR	5	•	5	•
	22909-104NG	BURNER	BRÛLEUR	•	5	•	5
26	22001-768	CONTROL KNOB	BOUTON DE CONTROLE	5	5	5	5
26A	22001-668	CONTROL KNOB	BOUTON DE CONTROLE	2	2	2	2
27	22002-268	CONTROL BEZEL	MONTURE DE CONTROLE	5	5	5	5
27A	22001-168	CONTROL BEZEL	MONTURE DE CONTROLE	2	2	2	2
28	22006-494	CONTROL COVER	PANNEAU DE CONTROLE	1	1	1	1
34	S13470-091	HOSE-SIDE BURNER LP	TUYAU DU BRULEUR LATERAL PL	1	•	1	•
	S13470-132	HOSE-SIDE BURNER NG	TUYAU DU BRULEUR LATERAL GN	•	1	•	1
35	29006-074	CONTROL ASSEMBLY	SOUPAPE	1	•	1	•
	29006-077	CONTROL ASSEMBLY	SOUPAPE	•	1	•	1
36	10342-T18	ELECTRODE - SIDE BURNER	ELECTRODE - BRULEUR DE COTE	1	1	1	1
37	20809-957	TUBE-REAR BURNER ASSY	TUBE DE BRÛLEUR ARRIÈRE	1	1	1	1
38	Y-11990	HEX NUT	ÉCROU	1	1	1	1
40	10114-20	HOSE & REGULATOR	TUYAU ET REGULATEUR PL	1	•	1	•
	10111-K45	HOSE NATURAL GAS	TUYAU (GAZ NATUREL)	•	1	•	1
42	10342-T17	ELECTRODE	ELECTRODE	1	1	1	1
43	10342-E13	ELECTRODE	ELECTRODE	3	3	3	3
44	10342-251	ELECTRONIC IGNITOR	ALLUMAGE ÉLECTRONIQUE	1	1	1	1
48	22009-901	GREASE PAN	CUVETTE A GRAISSE	1	1	1	1
49	27056-901	GREASE TRAY	PLATEAU A GRAISSE	1	1	1	1
51	22209-904	FLAV-R-WAVE ®	FLAV-R-WAVE ®	5	5	5	5
52	26109-331	SIDE PANEL - CRESENT LEFT	PANNEAU LATERAL - GAUCHE	1	1	1	1
53	26109-311	SIDE PANEL - CRESENT RIGHT	PANNEAU LATERAL - DROITE	1	1	1	1
54	26306-301	LID - OUTER PANEL	COUVERCLE - PANNEAU EXTERIEUR	1	1	•	•
	26306-304	LID - OUTER PANEL	COUVERCLE - PANNEAU EXTERIEUR	•	•	1	1
55	26206-90	LID - INNER PANEL	COUVERCLE - PANNEAU INTERIEUR	1	1	1	1
56	26006-34	HANDLE	POIGNÉE	1	1	1	1
57	26006-305	STRAP - HANDLE	COURROIE - POIGNÉE	1	1	1	1
59	10081-BK603	NAMEPLATE	PLAQUE D'IDENTIFICATION	1	1	1	1
60	10571-6	HEAT INDICATOR	INDICATEUR DE CHALEUR	1	1	1	1
65	C12505	MATCH LIGHT - STICK	ALLUMETTES	1	1	1	1
67	C12504	MATCH LIGHT - CHAIN	ALLUMETTES	1	1	1	1
68	21276-311A	DOOR	PORTE	1	1	•	•
	21276-314A	DOOR	PORTE	•	•	1	1
69	21276-331A	DOOR	PORTE	1	1	•	•
	21276-334A	DOOR	PORTE	•	•	1	1
70	21475-138	HANDLE	POIGNÉE	2	2	2	2
78	21076-905	BRACKET - DOOR CATCH	CROCHET DE PORTE	1	1	1	1
80	21109-905	SIDE PANEL	PANNEAU LATERALE	2	2	2	2
82	25208-205	CABINET SHELF	L'ETAGERE DU CABINET	1	1	1	1
83	21036-905	CABINET SHELF SUPPORT	SUPPORT POUR L'ETAGERE	1	1	1	1
84	21526-375	BASE - TANK	TABLETTE INFERIEUR	1	•	1	•
85	21526-395	BRACKET - TANK BASE	SUPPORT DU RESERVOIR	1	•	1	•
86	50001543	SLIDE - TANK BASE	TIROIR TABLETTE DE BARBONE	1	•	1	•
88	21306-925	PANEL - REAR	PANNEAU - ARRIÈRE	1	1	1	1
90	21096-955	BASE	TABLETTE INFERIEURE	1	1	1	1
100	21039-915	BRACKET - CASTOR SUPPORT	SUPPORT DE ROULLETTE	2	2	2	2
102	10892-23	CASTOR	ROULETTES	4	4	4	4
103	21009-995	BRACKET - CYLINDER LP	SUPPORT DU RESERVOIR PL	1	•	1	•
110	23030-635	SHELF BRACKET	CROCHETS PLATEAU	2	2	2	2
111	23030-615	SHELF BRACKET	CROCHETS PLATEAU	2	2	2	2

PARTS LIST / LISTE DES PIÈCES

<u>KEY #</u>	<u>ITEM #</u>	<u>DESCRIPTION</u>	<u>DESCRIPTION</u>	<u>9781-84</u>	<u>9781-87</u>	<u>9785-84</u>	<u>9785-87</u>
112	20409-934	STRAP - HANDLE	COURROIE - POIGNÉE	4	4	4	4
114	23101-614	SHELF	PLANCHETTE LATÉRALE	1	1	1	1
115	23100-654	SHELF	PLANCHETTE LATÉRALE	1	1	1	1
116	23401-631	SHELF FRONT	PLANCHETTE FRONTALE	1	1	1	1
116A	23401-611	SHELF FRONT	PLANCHETTE FRONTALE	1	1	1	1
117	23009-608	HANDLE	POIGNEE	2	2	2	2
124	23000-271	SIDE BURNER BODY	SUPPORT DE BRULEUR DE COTE	1	1	1	1
125	23000-254	SIDE BURNER COVER	COUVERCLE LATÉRAL	1	1	1	1
126	23909-20	SIDE BURNER	BRULEUR DE COTE	1	1	1	1
128	23009-98	GRID	GRILLE	1	1	1	1
130	27906-35	BURNER ROTISSERIE	BRÛLEUR DE TOURNEBROCHE	1	1	1	1
131	10693-109	REAR BURNER-ORIFICE	ORIFICE DU BRÛLEUR ARRIÈRE	1	•	1	•
	10693-160	REAR BURNER-ORIFICE	ORIFICE DU BRÛLEUR ARRIÈRE	•	1	•	1
133	S15271	HANDLE	POIGNEE	1	1	1	1
134	S15270	BALANCER	CONTREPOIS	1	1	1	1
135	S15299	WASHER	RONDELLE	1	1	1	1
136	S15263	BUSHING	COL	1	1	1	1
137	S15259	SPIT ROD	BROCHETTE	1	1	1	1
138	S15287	4 PRONG FORKS	FOURCHETTE A 4 FOURCHON	2	2	2	2
139	27039-901	ROTISSERIE BRACKET	SUPPORT	1	1	1	1
140	S21125	SCREW #8 X 1/2	VIS #8 X 1/2	24	24	24	24
143	Y-12855	BOLT 1/4-20 X 3/8	BOULON 1/4-20 X 3/8	72	68	72	68
144	Y-12220	BUSHING	DOUILLE	2	2	2	2
145	S21235	HINGE PIN	GOUPILLE DE CHARNIÈRE	2	2	2	2
146	S21233	HITCH PIN CLIP	ATTACHE DE CHEVILLE	2	2	2	2
147	Y-11231	LID BUMPER	BUTOIR DU COUVERCLE	4	4	4	4
148	10240-20	DOOR PIN	GOUPILLE DE LA PORTE	2	2	2	2
149	10240-19	DOOR PIN	GOUPILLE DE LA PORTE	2	2	2	2
150	Y-12124	DOOR PIN CAP	DISTANZHALTERUNG	2	2	2	2
152	Y-12222	MAGNET	AIMANT	2	2	2	2
153	Y-12223	SNAP IN MAGNET	AIMANT	2	2	2	2
154	Y-11560	SCREW 1/4-20 X 1-1/2	VIS 1/4-20 X 1-1/3	4	4	4	4
155	S21124	SCREW #8 X 1/2	VIS #8 X 1/2	23	19	23	19
156	Y-11793	NUT 1/4-20	ECROU 1/4-20	18	14	18	14
157	Y-12835	SCREW #6-32 X 1/4	VIS #6-32 X 1/5	7	7	7	7
158	Y-12646	SCREW SHOULDER #8 X 1/2	VIS SHOULDER #8 X 1/3	2	2	2	2
159	S21124S	SCREW #8 X 1/2	VIS #8 X 1/2	4	•	4	•
160	Y-29304	BOLT #10-24 X 3/8	BOULON #10-24 X 3/8	33	33	33	33
161	Y-29310	SCREW #10-24 X 3/4	VIS #10-24 X 3/4	12	12	12	12
162	Y-29307	NUT #10-24	ECROU #10-24	4	4	4	4
163	S35094	SCREW #10-24 X 5/8	VIS #10-24 X 5/8	3	3	3	3
164	S21084	SCREW #14 X 5/8	VIS #14 X 5/8	4	4	4	4
165	Y-12125	DOOR PIN CAP	DISTANZHALTERUNG	2	2	2	2
166	Y-12126	DOOR PLUG	PRISE DE LA PORTE	2	2	2	2
167	Y-11987	BOLT 1/4-20 X 1	BOULON 1/4-20 X 1	6	6	6	6
168	Y-11208	WASHER	RONDELLE	2	2	2	2
169	S21061	WING NUT	ECROU PAPILLON	2	2	2	2
171	S15245	MOTOR	MOTEUR	1	1	1	1
173	S21362	SPRING	RESSORT	1	1	1	1
174	S21255	WASHER	RONDELLE	1	1	1	1
175	S21141	CARRIAGE BOLT - 1/4:20 X 5/8	BOULON - 1/4:20 X 5/8	1	1	1	1
176	Y-11598	WING NUT - 1/4	ECROU PAPILLON - 1/4	1	1	1	1
177	S21125S	SCREW #8 X 1/2	VIS #8 X 1/2	1	1	1	1
178	22949-504	REAR BURNER BAFFLE	ECRAN DE BRULEUR ARRIER	1	1	1	1
179	22339-304	ELECTRODE BRACKET	CROCHET D'ELECTRODE	1	1	1	1
180	S35095	SCREW #10-24 X 5/8	VIS #10-24 X 5/8	2	2	2	2
181	25070-90	LIGHT SWITCH	COMMUTATEUR LEGER	1	1	1	1
182	25020-71	OVEN LIGHT	LUMIERE DE FOUR	2	2	2	2
183	25090-90	POWER BAR	BARRE ELECTRIQUE	1	1	1	1
184	25080-90	TRANSFORMER	TRANSFORMATEUR	1	1	1	1
185	25050-71	WIRE - OVEN LIGHT	LE FIL - LUMIERE DE FOUR	1	1	1	1

