

This Owner's Manual is provided and hosted by [Appliance Factory Parts](http://www.ApplianceFactoryParts.com).



Broil King 9869-54ED Owner's Manual

[Shop genuine replacement parts for Broil King
9869-54ED](#)



[Find Your Broil King Grill Parts - Select From 1350 Models](#)

----- Manual continues below part list -----

Available Replacement Parts for Broil King 9869-54ED

91122GC	GP GRID CAST IRON 2PC Set
18013	LARGE PROBE HEAT INDICATOR
10081-BK630	NAMEPLATE HI BROIL KING BLACK ZINC
10240-15	HINGE PIN SIDE SHELF DROP DOWN
S21237	HINGE PIN SPACER
10892-15	CASTER 2 1/2 INCH WHEEL KNURLED
S21124	SCREW PHCP #8 X 12 +
10390-E10	BURNER SIDE 10BTU W/ELEC #8 +
Y-12220	S/B BUSHING SB 1.375 16 HEY
10892-931A	WHEEL 7 INCH GREY WALL
18429	FLAV R WAVE - SIGNET/SOVEREIGN
S15236	ROTISSERIE MOTOR AC 120V
S15263	ROTISSERIE BUSHING
S15299	WASHER COUNTERWEIGHT ROTIS
S15270	ROTISSERIE COUNTERWEIGHT ASSY
S15271	ROTISSERIE HANDLE +
10184-e78A	END CAP DOOR TOP LHS W/MAGNET
10184-e76	END CAP DOOR BOTTOM LEFT A
10184-e79a	END CAP DOOR TOP RHS W/MAGNET
10696-109	ORIFICE HOOD R/B 0.109MM LP
10342-246	IGNITOR ELECTRONIC TRIPLE +
10342-E400A	COLLECTOR BOX ASSEMBLY
23000-253	SIDE BURNER LID IR SS
23000-271	SIDE BURNER BODY BASE
10184-E62	SHELF SUPPORT BRACKET LHS +
10184-E63	SHELF SUPPORT BRACKET RHS +
10958-E81	BASE RESIN CABINET REV A +
10958-E761	PANEL SIDE BLACK +
10958-E901	PANEL REAR BLACK 21 3/4 INCH NEW 2006
10184-E77	END CAP DOOR BOTTOM RIGHT A

S13005A	BURNER TUBULAR W/IGNITION
S15170	AXLE PLTD 3/8X20 5/8 CAB +
10184-E651	SHELF SUPPORT LHS BLK
10184-E641	SHELF SUPPORT RIGHT BLK
10711-E47	END CAP SIDE SHELF RHS
10711-E43	EDGE CAP SIDESHLF R REAR.034LB
10711-E45	EDGE CAP SIDESHLF R FRNT.199LB
10711-E48	END CAP SIDE SHELF LHS
10711-E44	EDGE CAP SIDE SHELF LHS REAR
10711-E46	EDGE CAP SIDE SHELF LHS FRONT
18629	TUBE IN TUBE BURNER SIGNET/SOVEREIGN
10472-E38	CONTROL KNOB - BEZEL BLK
10184-E501	CASTING SUPPORT L BLK
10184-E511	CASTING SUPPORT RHS BLK
10696-127	R/B ORIFICE LP
11184-E341	ROTISSERIE BRACKET MOTOR
10184-E44	ROTISSERIE BRACKET LHS (1 HOLE)
10958-E400	TOP CASTING INSERT SS
11228	CI COOKING GRIDS SET OF 2
10225-E401	GRID - WARMING RACK +
10110-40	TUBE 400 REAR BURNER
10956-E591	BRACE FRONT BLACK
S15257	SPIT ROD ROTISSERIE 33 INCH
18529	FLAV R WAVE DIVIDER - SIGNET/SOVEREIGN
11041	burner, pipe, ss, 14.3125 x 1.125
94001	heat plate, ss, 13.75 x 6.25
10958-e79lw	DOOR SMALL LHS CABINET ASSY +
10711-E42A	EDGE CAP CONTROL COVER LHS
10711-E41A	EDGE CAP CONTROL COVER RHS +
10342-T16	WIRE ELECTRODE S/B +
10956-E881	BRACE REAR BLACK
94031	USE MCM909400114
00475	heat indicator

52049-91	GREASE PAN SHIELD +
10184-E211	TANK COLLAR CLAMP 3B BLACK
10184-E201	TANK STRAP 3B BLACK
10711-E821	SHELF BODY BLACK
33200	get jet Orifice Drilled to #57
80012	regulator and hose READ ADD. INFO
10342-245	IGNITOR ELECTRONIC DUAL +
04831	ELECTRODE WITH WIRE
10184-E931	DOOR CATCH BRACKET - BLACK
10184-F96	RADIATION SHIELD 400
10184-F97	GREASE TRAY SUPPORT 400
10184-R83	CASTING BOSS EXTENSION 340 +
10711-E84	CONDIMENT BIN SS
23009-951	SIDE BURNER GRID BLK 330/440/550
57154-901	GREASE TRY 340/401 0.8MM BLK HI HEAT PNT
50502	HEAVY DUTY MEAT FORKS
10184-E33	ROTISSERIE BRACKET (2 HOLES)
10444-E30	CONTROL ASSEMBLY 3V LP +
10444-E31	CONTROL ASSEMBLY 3V +
543S2	cook grid 304SS 25-1/4x15 INCHES OVERALL
17010	CONTROL KNOB RESIN LRG BLACK
10444-E36	CONTROL ASSY 44BTU 3V LP DUAL S/B R/B
10111-K45	HOSE 3/8 INCH ASSEMBLY NG 10 FOOT +
Y-11990	NUT HEX BRASS 3/8 27 RB LINE
10342-E12	ELECTRODE W/WIRE +
10342-247	IGNITOR ELECTRONIC +
52009-901	GREASE PAN - BLACK HIGH HEAT PAINT
10909-E402	BOTTOM CASTING 401 +

Broil King®

REDDI-BILT BARBECUES

ASSEMBLY MANUAL & PARTS LIST

MANUEL DE MONTAGE & LISTE DE PIÈCES

Broil King

9869-54ED
9869-57ED



Broil King

9869-74ED
9869-77ED



RETAIN FOR FUTURE REFERENCE

VEUILLEZ CONSERVER POUR REFERENCE ULTERIEURE

1-800-265-2150

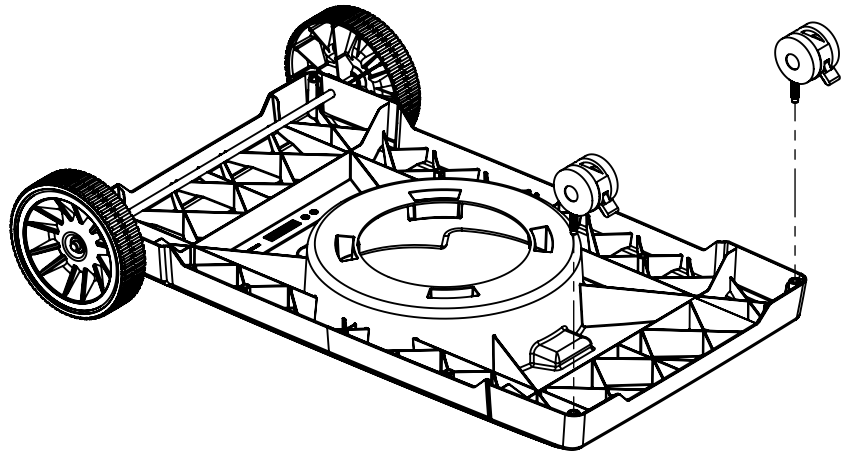
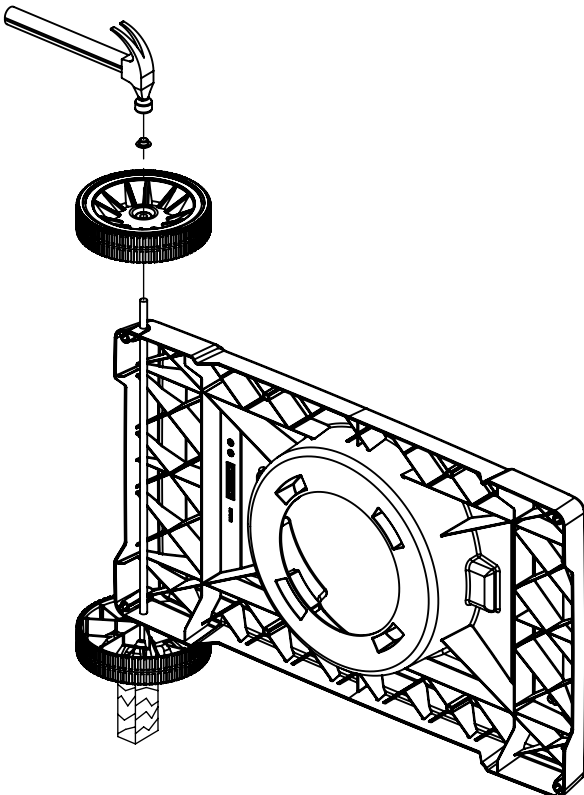
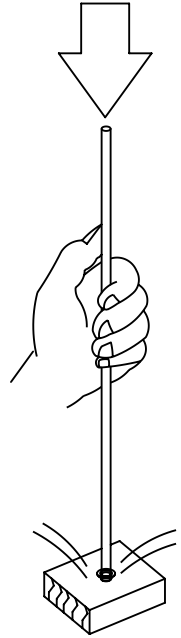
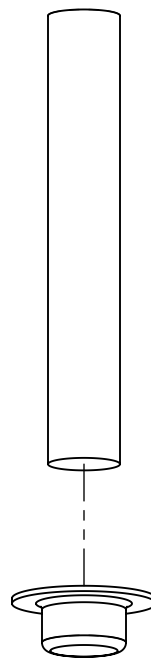
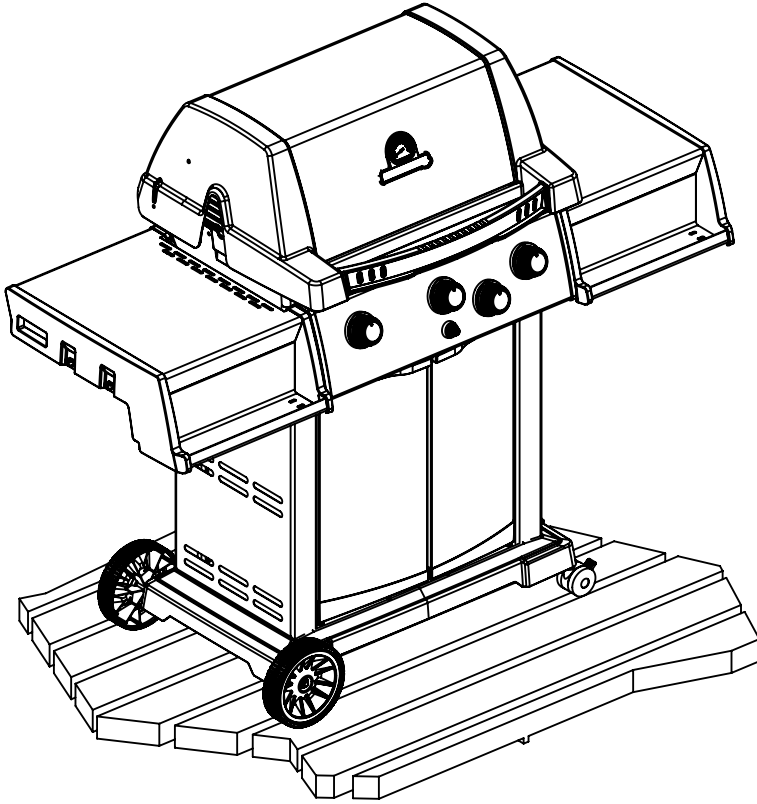
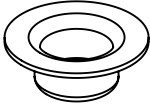
info@omcbbq.com

Onward
SINCE 1906
MANUFACTURING COMPANY LIMITED
585 KUMPF DRIVE
WATERLOO, ONTARIO, CANADA
N2V 1K3

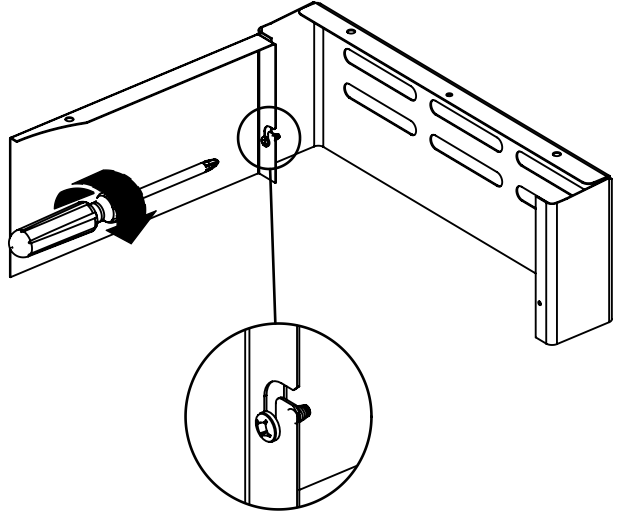
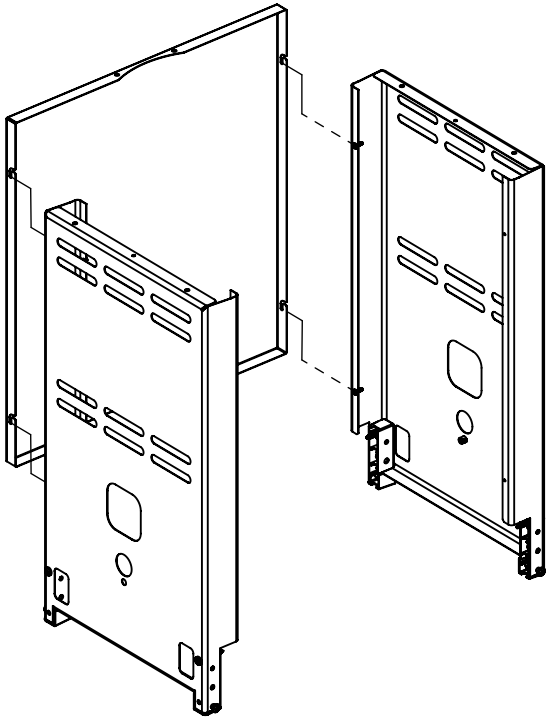
10084-E42 REV A 01/12

1

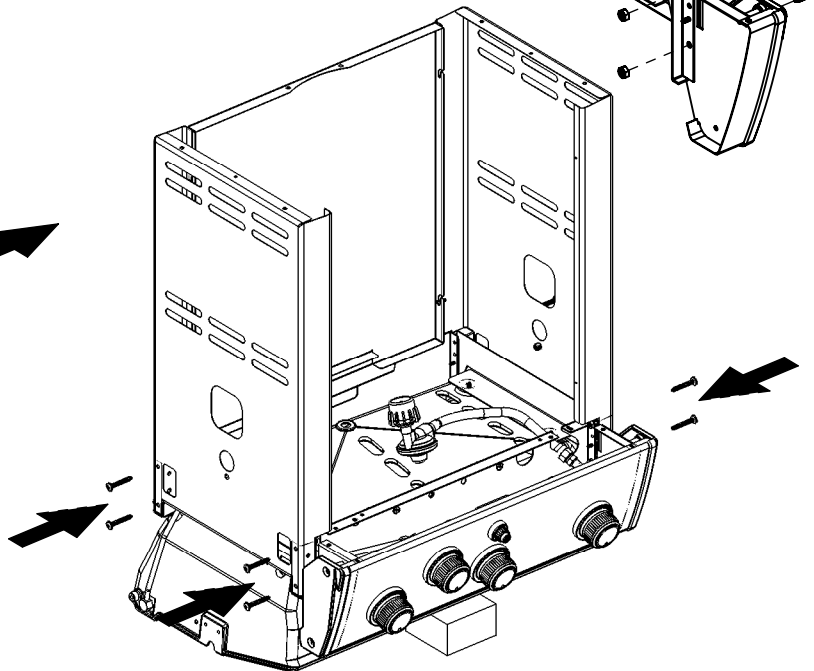
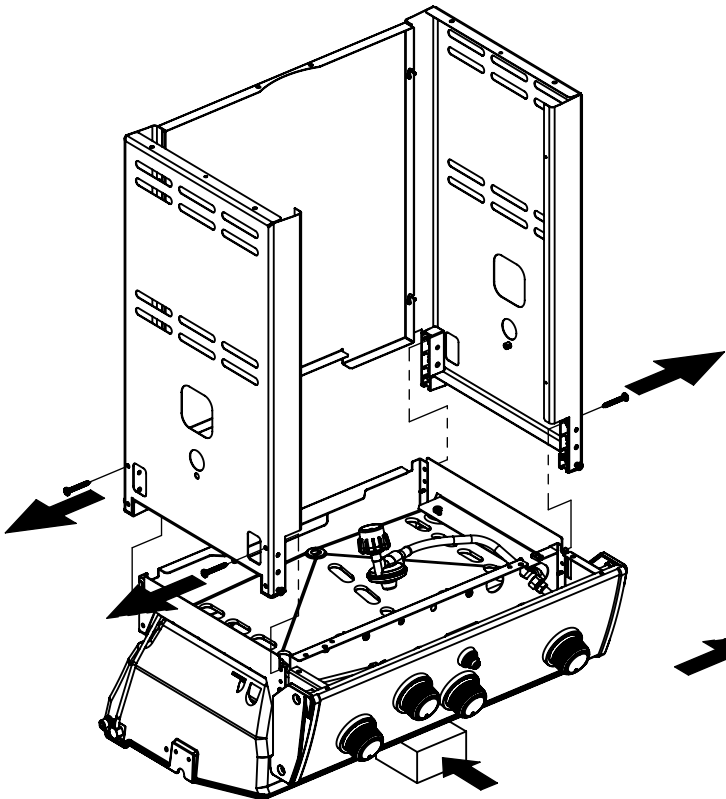
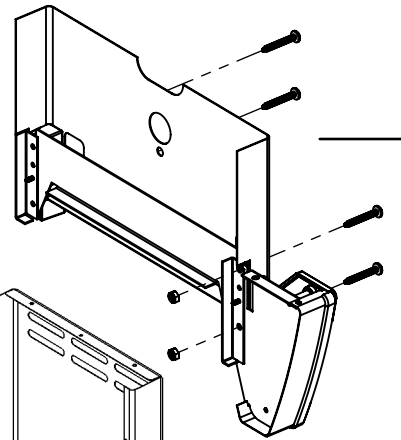
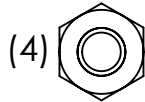
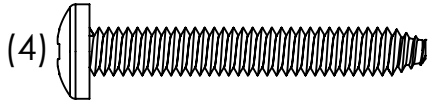
(2)



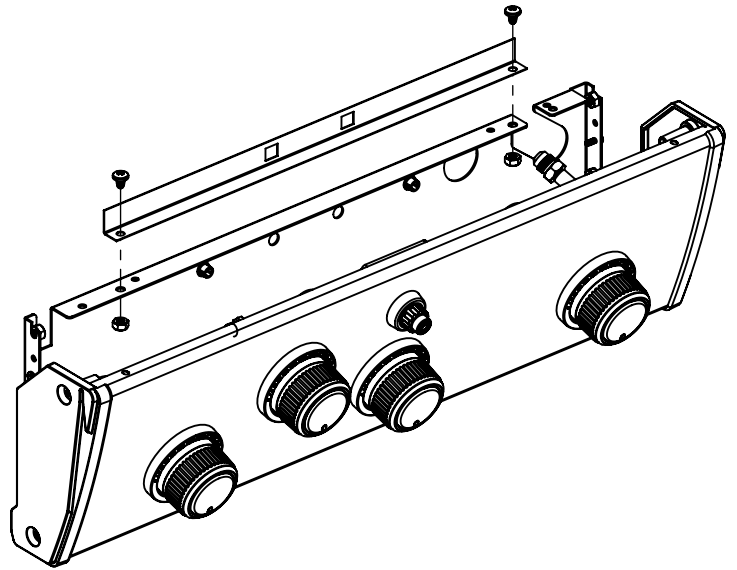
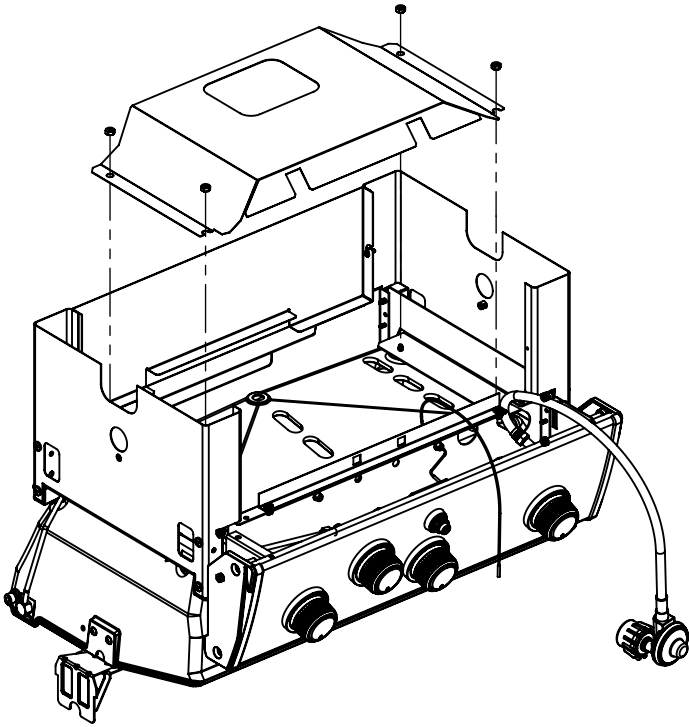
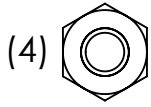
2



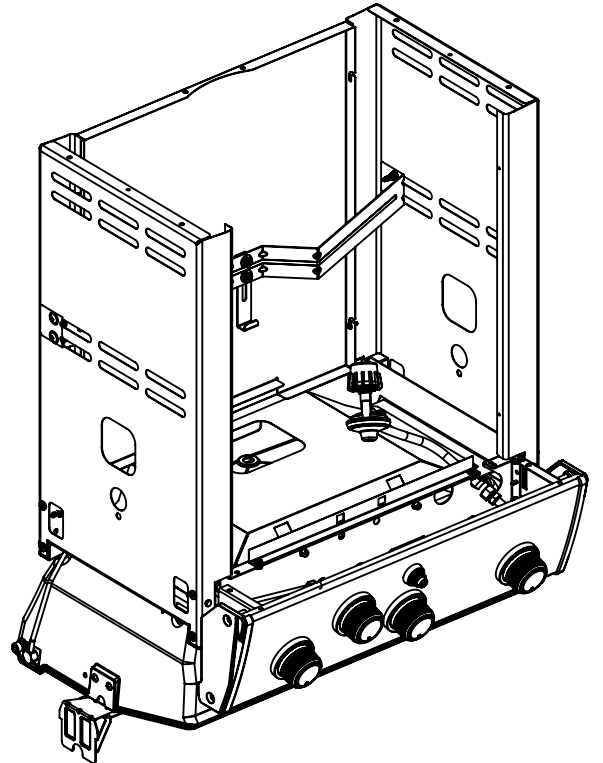
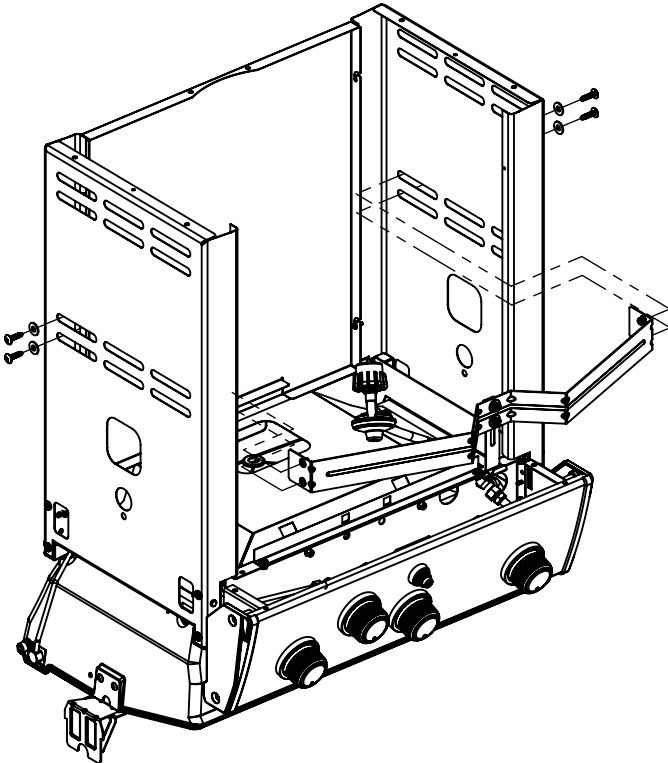
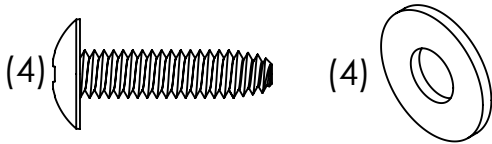
3



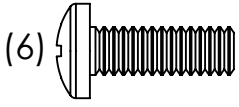
4



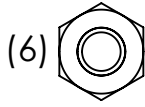
5



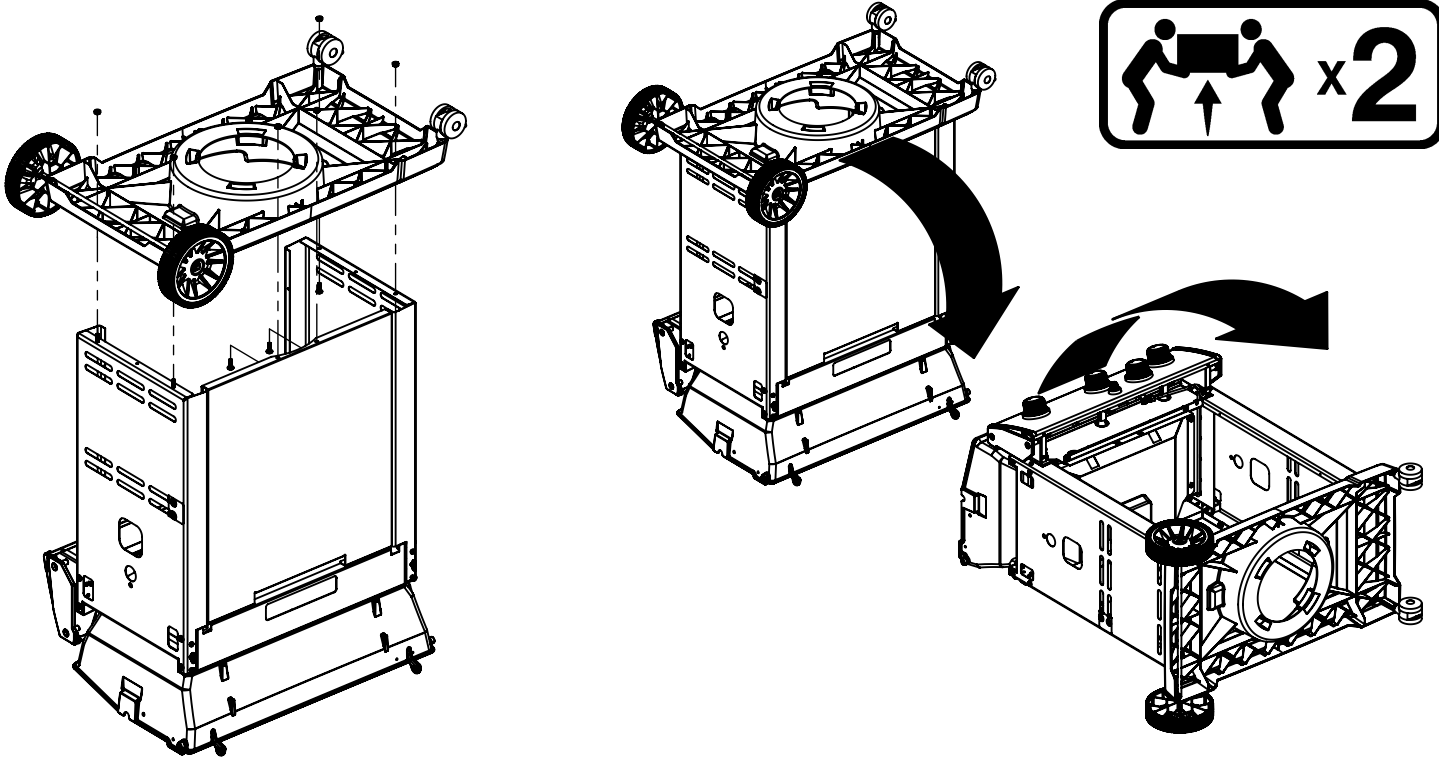
6



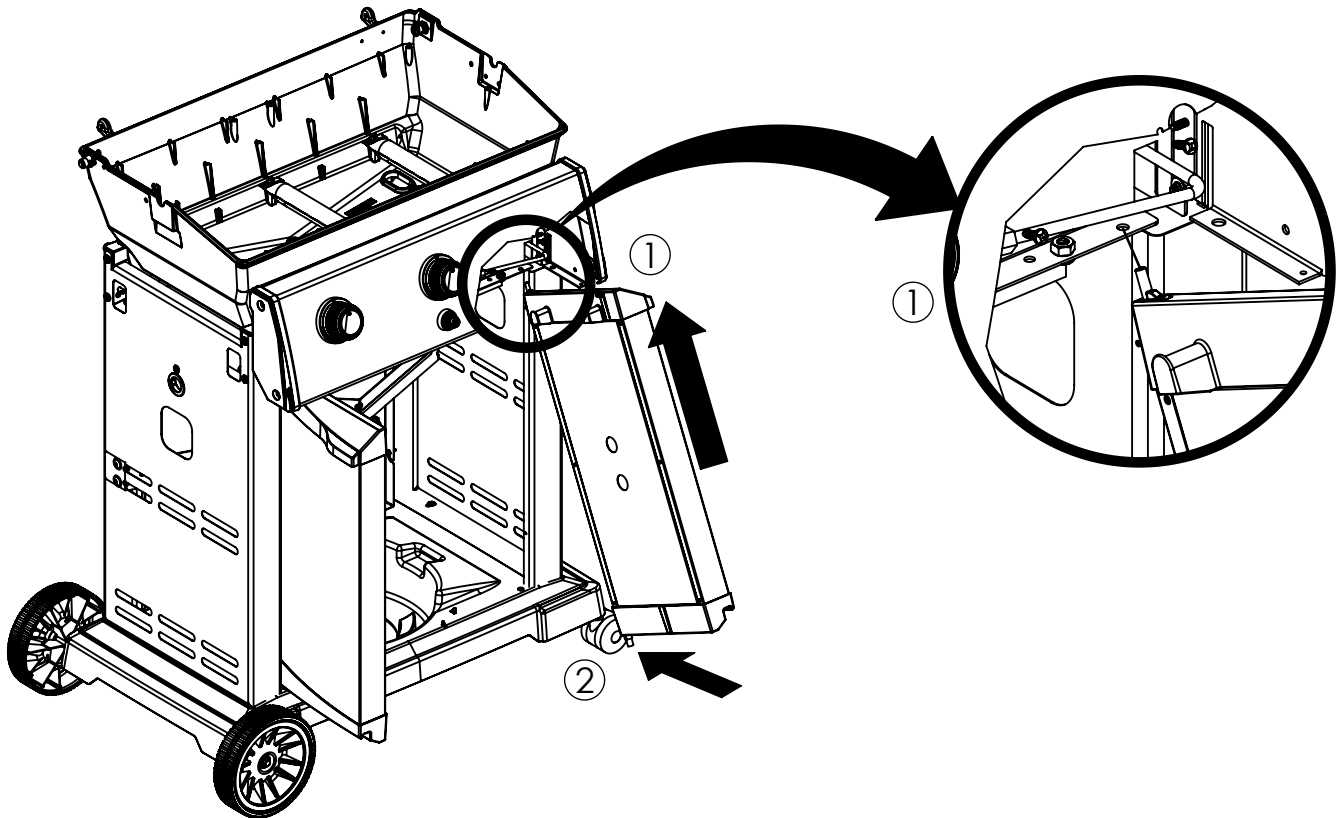
(6)



(6)

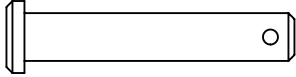


7

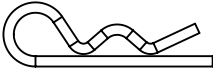


8

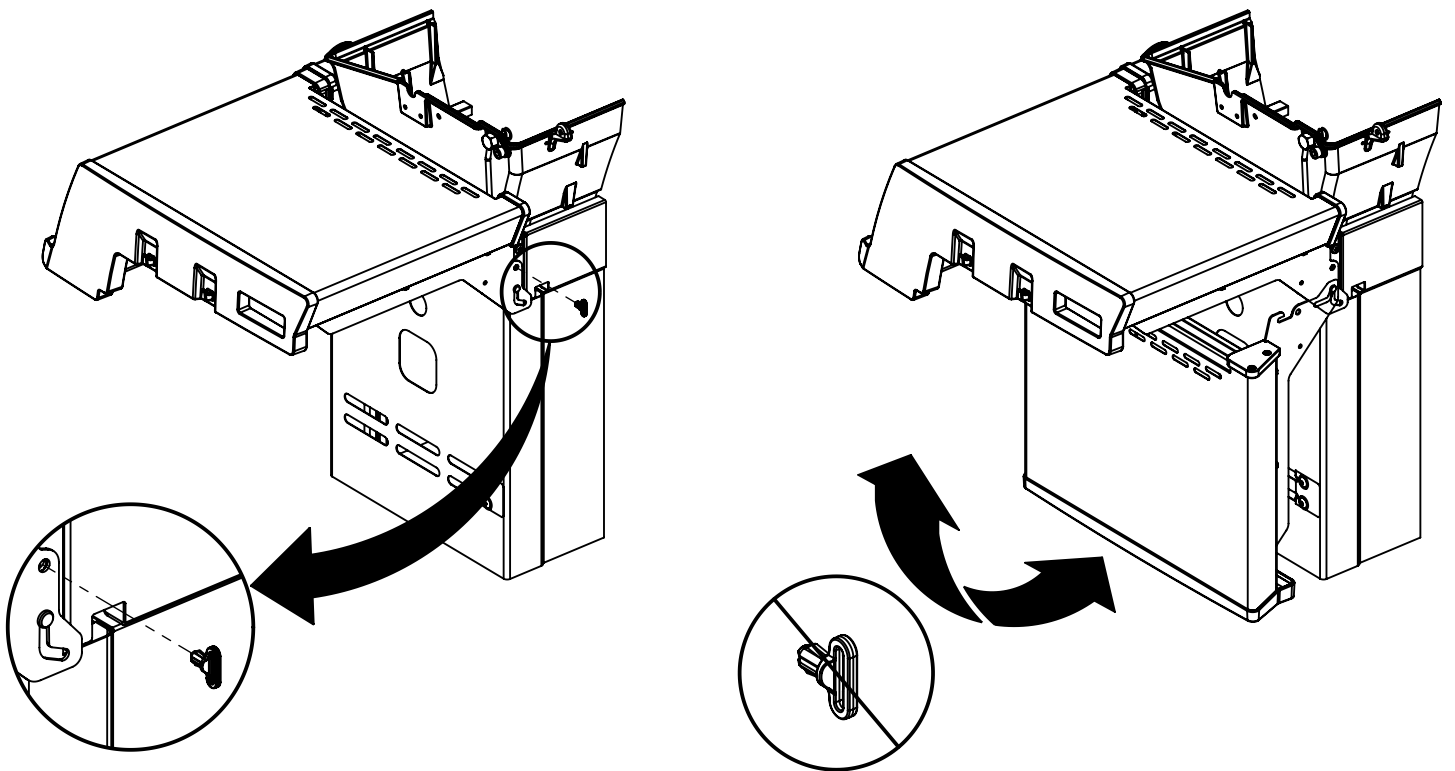
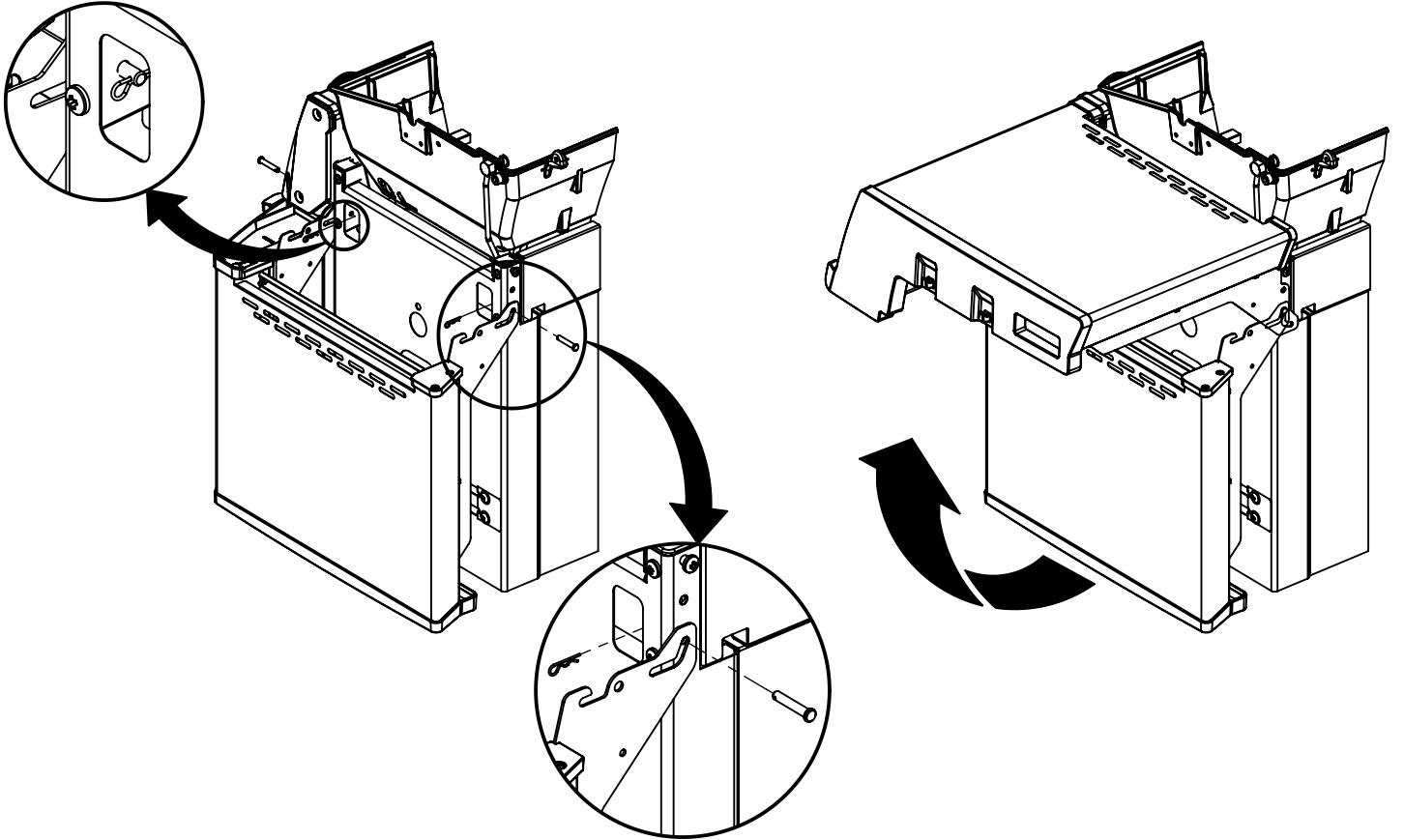
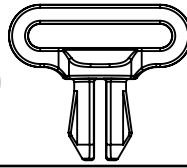
(4)



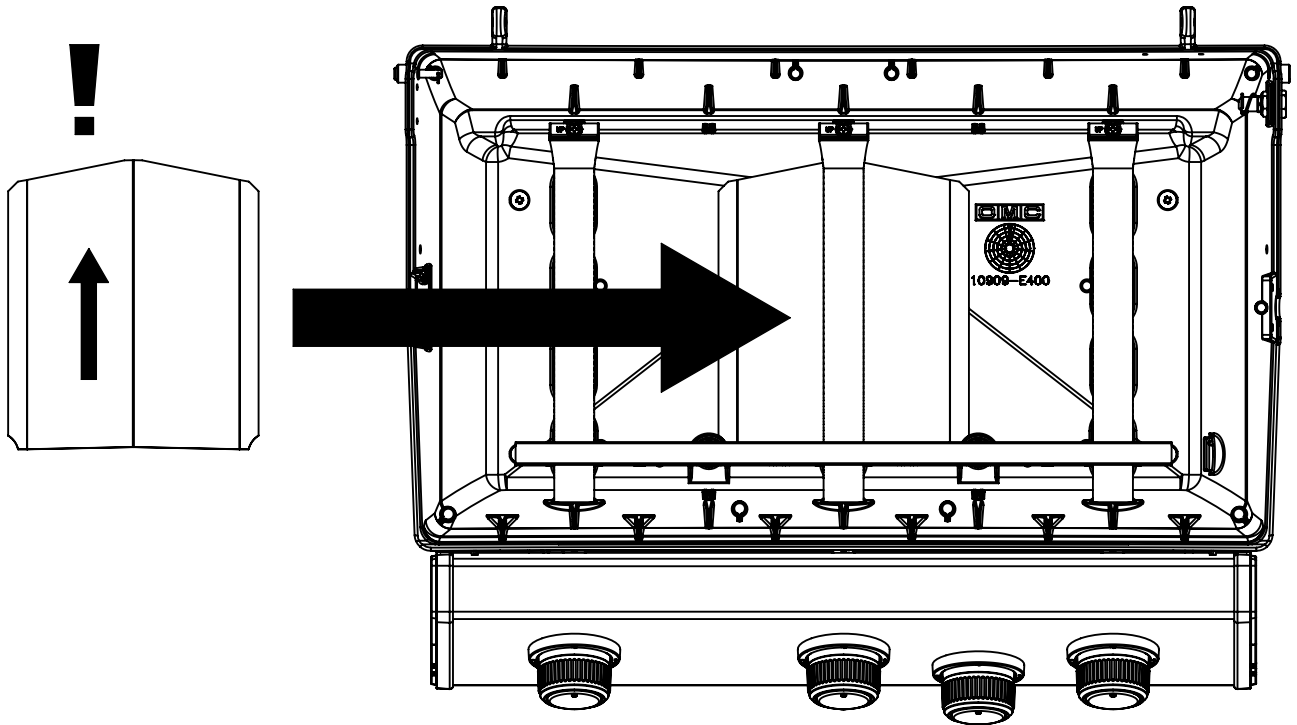
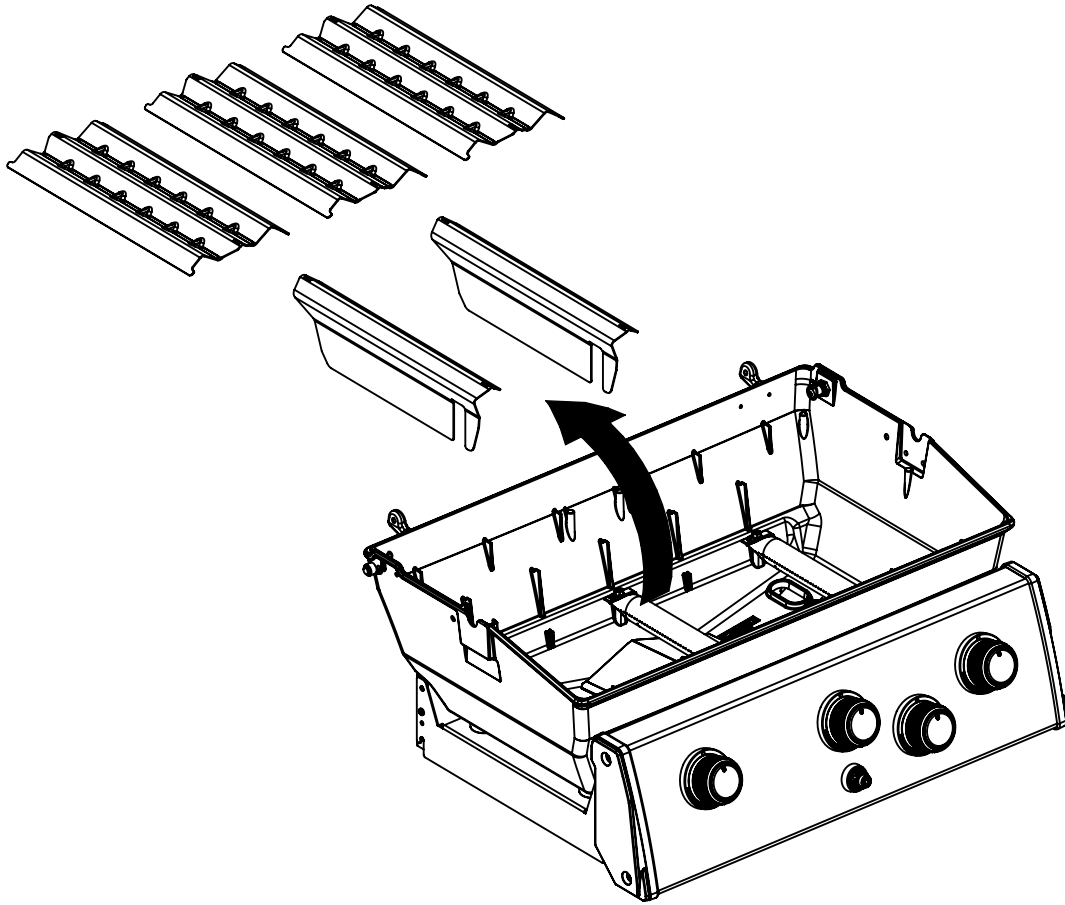
(4)



(2)

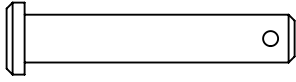


11

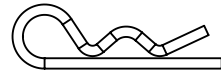


10

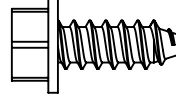
(2)



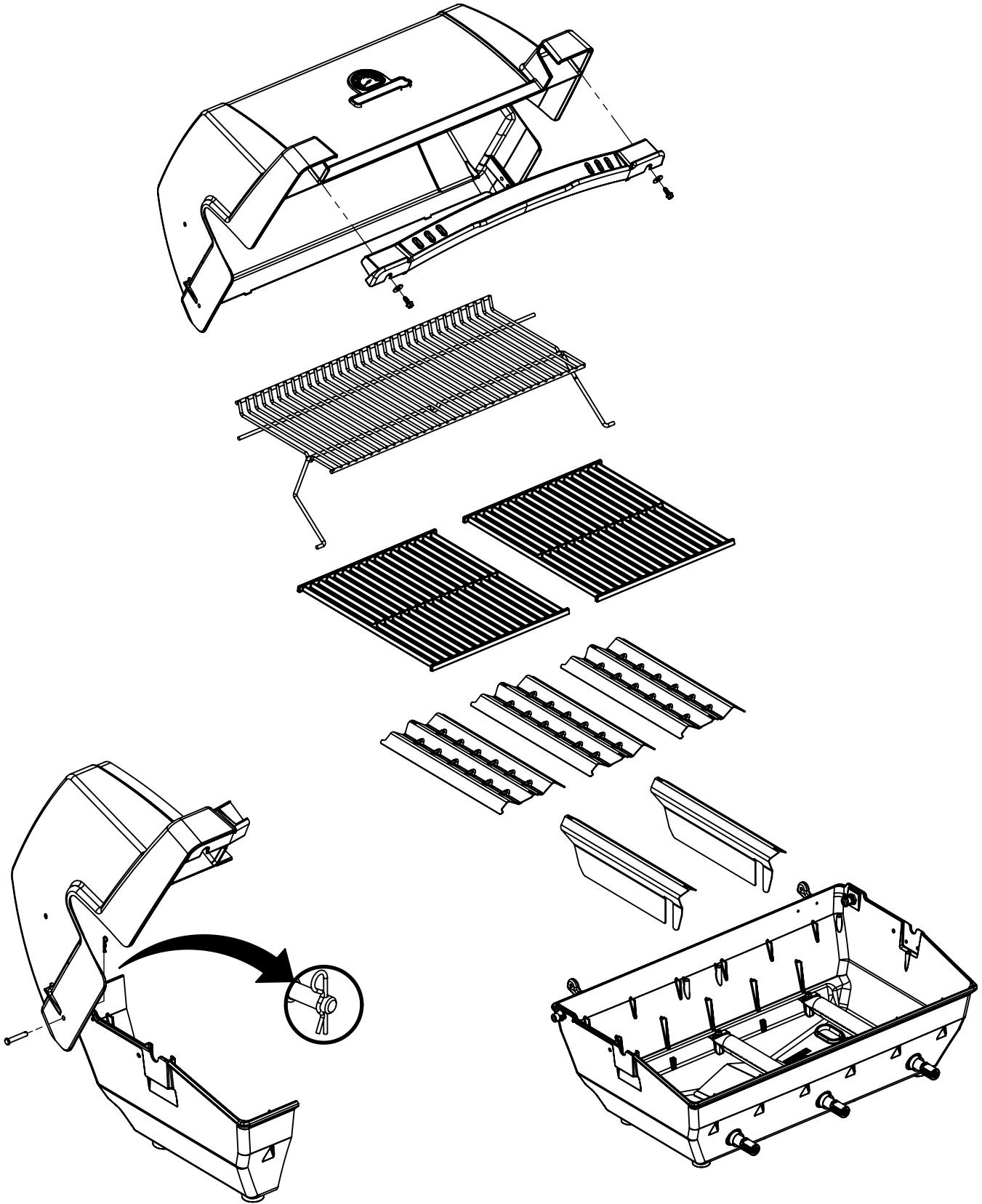
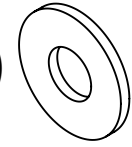
(2)



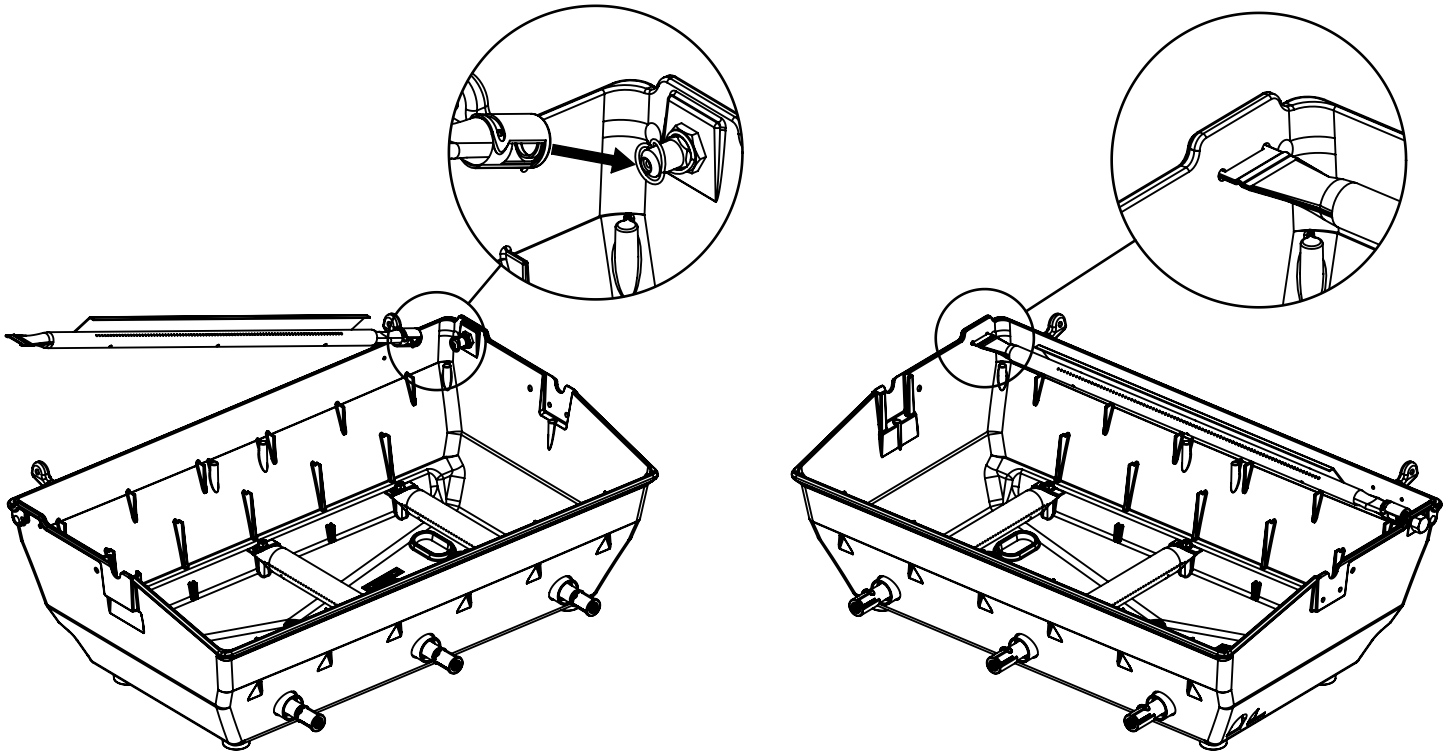
(2)



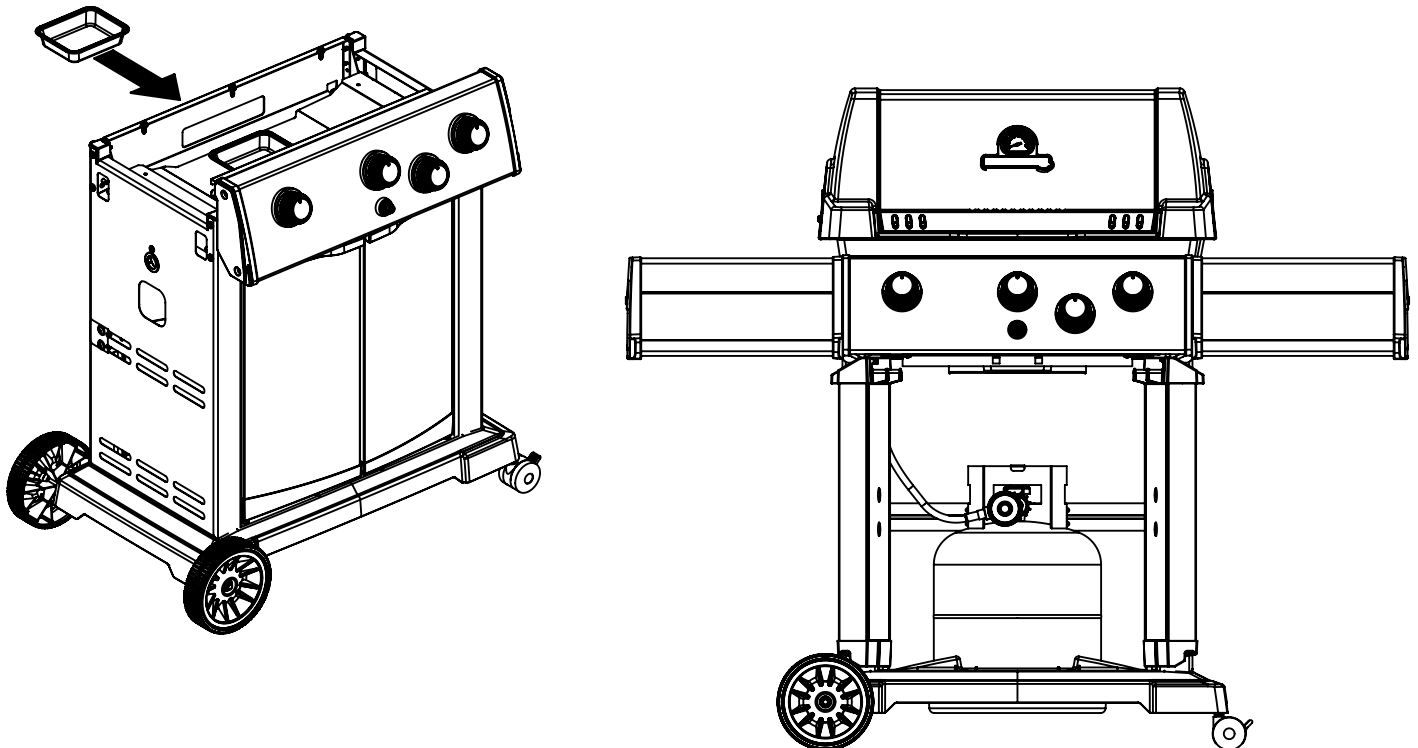
(2)



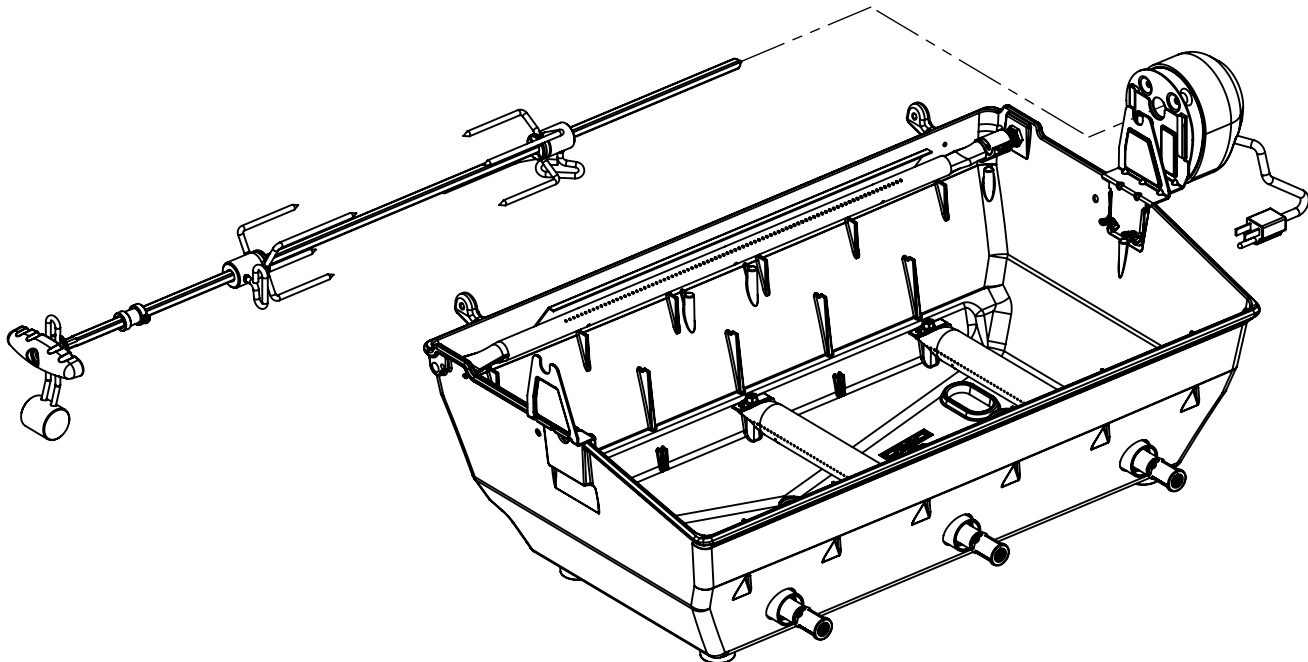
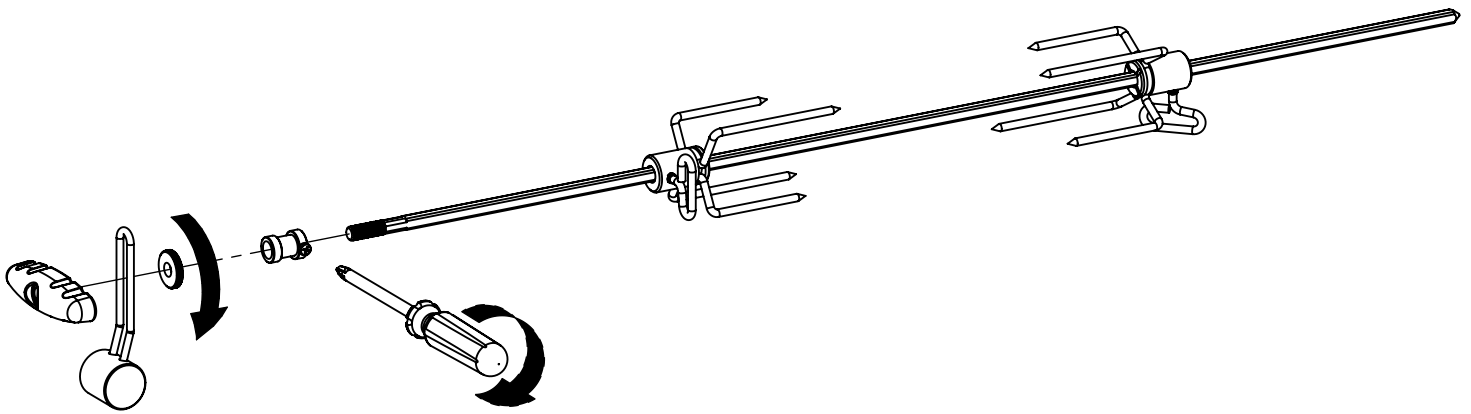
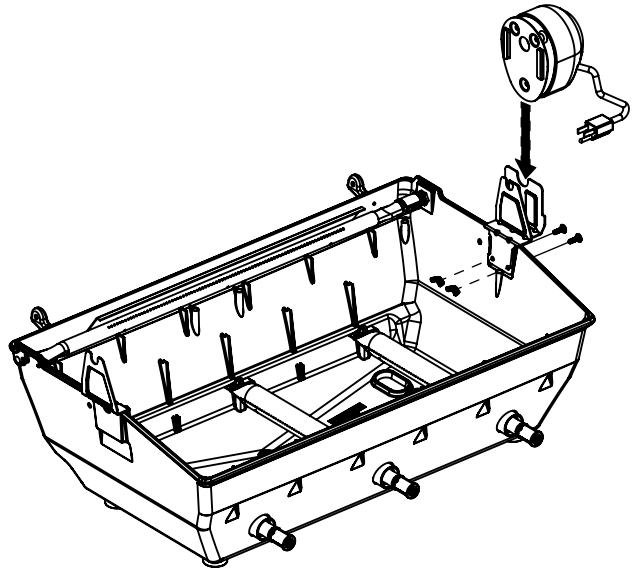
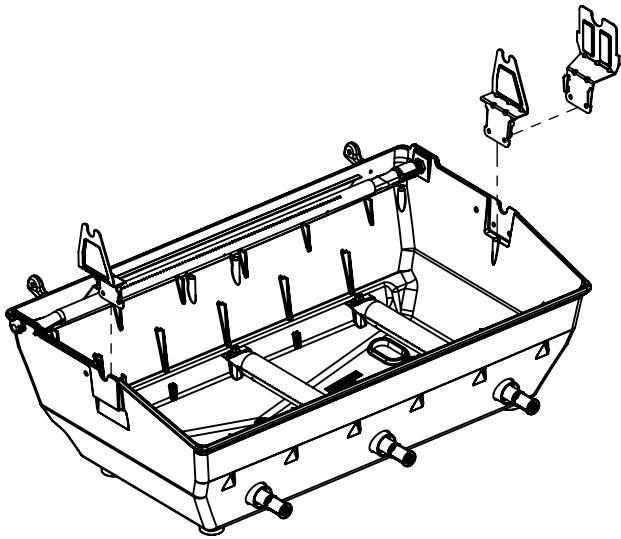
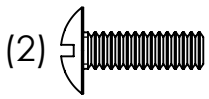
11

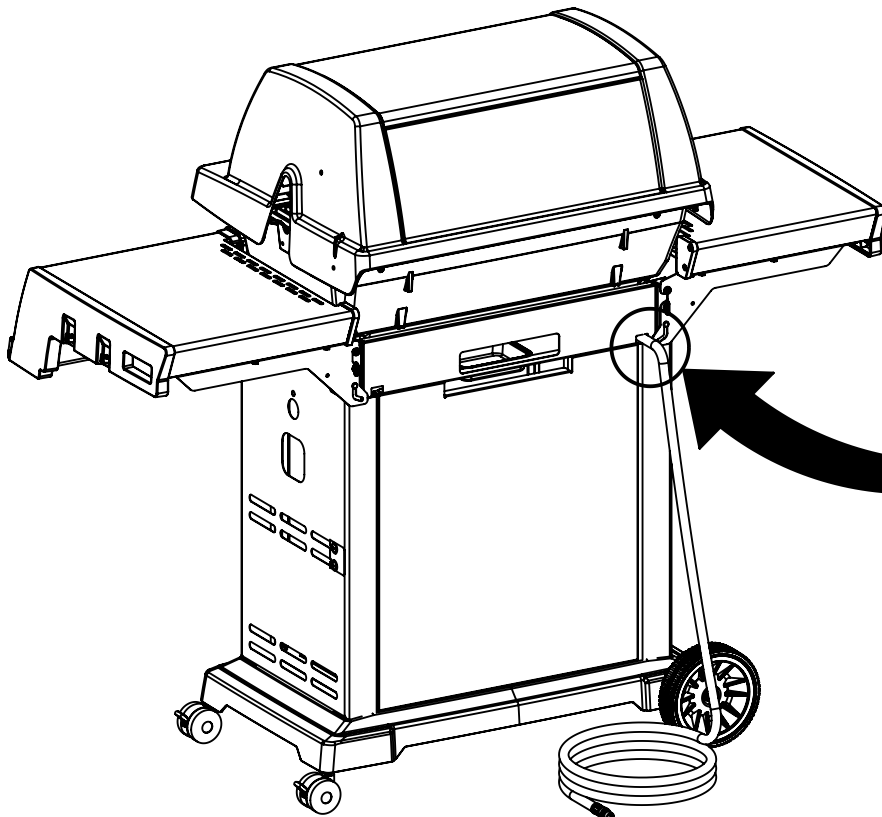
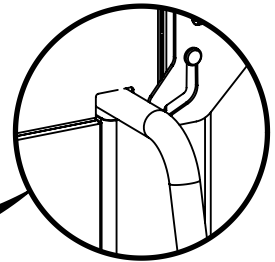
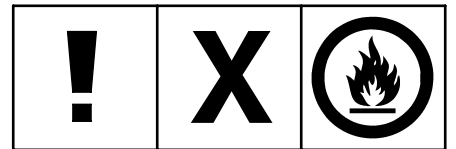
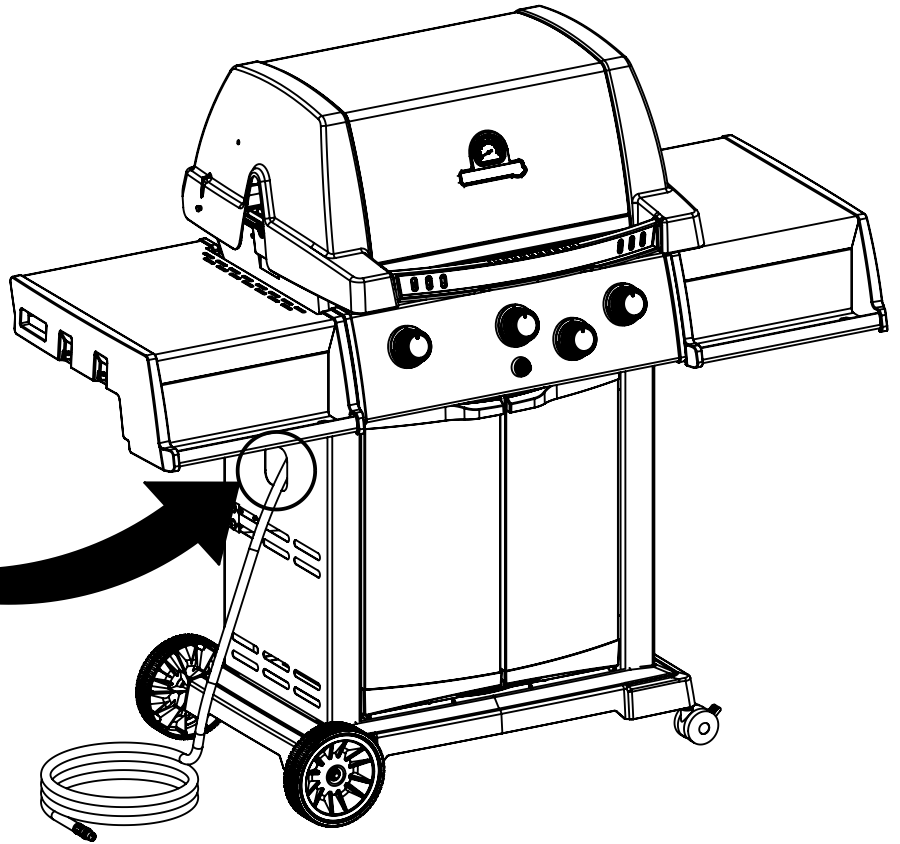
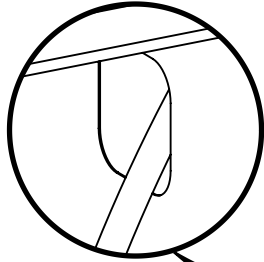
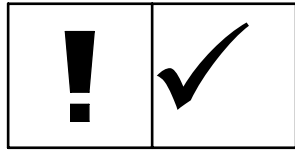


12



13





PARTS LIST / LISTE DES PIECES

KEY #	ITEM #	DESCRIPTION	DESCRIPTION	9869-54ED	9869-57ED	9869-74ED	9869-77ED
1	10909-E400	CASTING BOTTOM	FOND DU FOYER	1	1	1	1
2	10473-E400	CASTING TOP	COUVERCLE DU GRIL	1	1	1	1
3	10081-BK630	NAMEPLATE	PLAQUE D'IDENTIFICATION	1	1	1	1
4	10958-E404	TOP CASTING INSERT	PANNEAU DE COUVERCLE	1	1	1	1
5	10571-6	HEAT INDICATOR	INDICATEUR DE CHALEUR	1	1	1	1
6	10240-15	HINGE PIN	GOUPILLE DE CHARNIÈRE	6	6	6	6
6A	S21237	HINGE SPACER	ENTRETOISE DE CHARNIÈRE	2	2	2	2
7	S21233	HITCH PIN CLIP	ATTACHE DE CHEVILLE	6	6	6	6
9	38170121	GRID - PORCELAIN	GRILLE	2	2	2	2
10	10222-E400	FLAV-R-WAVE	FLAV-R-WAVE	3	3	3	3
11	10225-E401	GRID - WARMING RACK	GRILLE	1	1	1	1
12	10222-E401	DIVIDER	DIVISEUR	2	2	2	2
15	10390-E20LP	BURNER	BRÛLEUR	3	•	3	•
	10390-E20NG	BURNER	BRÛLEUR	•	3	•	3
17	10342-245	ELECTRONIC IGNITOR	ALLUMEUR ÉLECTRONIQUE	1	1	1	1
18	10342-E12	ELECTRODE	ELECTRODE	2	2	2	2
19	10342-E400	COLLECTOR BOX	BOÎTE DE COLLECTEUR	1	1	1	1
19A	10342-E401	COLLECTOR BOX	BOÎTE DE COLLECTEUR	1	1	1	1
21	10444-E409	CONTROL ASSEMBLY - LP	ASSEMBLÉE DE CONTROLE	1	•	•	•
	10444-E419	CONTROL ASSEMBLY - NG	ASSEMBLÉE DE CONTROLE	•	1	•	•
	10444-E449	CONTROL ASSEMBLY - LP	ASSEMBLÉE DE CONTROLE	•	•	1	•
	10444-E459	CONTROL ASSEMBLY - NG	ASSEMBLÉE DE CONTROLE	•	•	•	1
21B.	10110-40	TUBE-REAR BURNER ASSY	TUBE DE BRULEUR ARRIERE	•	•	1	1
22	10114-20	HOSE & REGULATOR LP - QCC1	TUYAU ET REGULATEUR PL - QCC1	1	•	1	•
	10111-K45	HOSE NATURAL GAS	TUYAU (GAZ NATUREL)	•	1	•	1
23	22001-768	CONTROL KNOB	BOUTON DE CONTROLE	3	3	4	4
23A	10472-E38	CONTROL BEZEL	MONTURE DE CONTROLE	3	3	4	4
23B	Y-12674	CONTROL KNOB	BOUTON DE CONTROLE	•	3	•	4
25	10222-E402	BAFFLE	PLAQUE-CHICANE	1	1	1	1
30	10194-E433C	CONTROL COVER	PANNEAU DE CONTROLE	1	1	•	•
	10194-E477C	CONTROL COVER	PANNEAU DE CONTROLE	•	•	1	1
31	10711-E42A	EDGE CAP - CONTROL COVER	PAC DE BORD	1	1	1	1
32	10711-E41A	EDGE CAP - CONTROL COVER	PAC DE BORD	1	1	1	1
33	10184-E84	RADIATION SHIELD	ÉCRAN DE CHALEUR	1	1	1	1
35	10184-E501	SUPPORT-CASTING-LEFT	SUPPORT GAUCHE DU FOYER	1	1	1	1
36	10184-E511	SUPPORT-CASTING-RIGHT	SUPPORT DROIT DU FOYER	1	1	1	1
37	10184-E651	SUPPORT-SIDE SHELF-LEFT	SUPPORT TABLETTE DE GAUCHE	2	2	2	2
37A	10184-E63	SUPPORT-SIDE SHELF-LEFT	SUPPORT TABLETTE DE GAUCHE	2	2	2	2
38	10184-E641	SUPPORT-SIDE SHELF-RIGHT	SUPPORT TABLETTE DE DROIT	2	2	2	2
38A	10184-E62	SUPPORT-SIDE SHELF-RIGHT	SUPPORT TABLETTE DE DROIT	2	2	2	2
39	10956-E881	BRACE-REAR	SUPPORT ARRIERE	1	1	1	1
40	10958-E81	BASE	TABLETTE INFERIEURE	1	1	1	1
41	10956-E591	BRACE-FRONT	SUPPORT AVANT	1	1	1	1
42	10958-E75	DOOR	PORTE	2	2	2	2
42A	10958-E851	DOOR - INNER	PORTE INTÉRIEURE	2	2	2	2
43	10958-E761	SIDE PANEL BLK	PANNEAU LATÉRALE	2	2	2	2
44	10958-E901	PANEL - REAR	PANNEAU - ARRIÈRE	1	1	1	1
45	10184-E821	BRACKET - DOOR CATCH	CROCHET DE PORTE	1	1	1	1
48	10184-E681	BRACKET - SHELF	CROCHET - PLANCHETTE	2	2	2	2
49	10711-E811	CONDIMENT BIN	CASIER DE CONDIMENT	2	2	2	2
50	10711-E821	SHELF - SIDE - RIGHT	PLANCHETTE LATÉRALE - DROIT	2	2	2	2
52	10184-E78	DOOR - TOP CAP - LEFT	PORTE - DESSUS - GAUCHE	1	1	1	1
53	10184-E76	DOOR - BOTTOM CAP - LEFT	PORTE - DESSOUS - GAUCHE	1	1	1	1
54	10184-E79	DOOR - TOP CAP - RIGHT	PORTE - DESSUS - DROIT	1	1	1	1
55	10184-E77	DOOR - BOTTOM CAP - RIGHT	PORTE - DESSOUS - DROIT	1	1	1	1
56	10892-7G	WHEEL	ROUE	2	2	2	2
60	10711-E47	END CAP - SHELF - RIGHT	MONTURE D'EMBOUT	1	1	1	1
61	10711-E44	EDGE CAP - SHELF - RIGHT REAR	PAC DE BORD	1	1	1	1

PARTS LIST / LISTE DES PIECES

KEY #	ITEM #	DESCRIPTION	DESCRIPTION	9869-54ED	9869-57ED	9869-74ED	9869-77ED
62	10711-E45	EDGE CAP - SHELF - RIGHT FRONT	PAC DE BORD	1	1	1	1
63	10711-E48	END CAP - SHELF - LEFT	MONTURE D'EMBOU	1	1	1	1
64	10711-E43	EDGE CAP - SHELF - LEFT REAR	PAC DE BORD	1	1	1	1
65	10711-E46	EDGE CAP - SHELF - LEFT FRONT	PAC DE BORD	1	1	1	1
66	S13005	BURNER ROTISSERIE	BRULEUR A ROTISS	•	•	1	1
68	S21362	SPRING	RESSORT	•	•	1	1
70	Y-11990	HEX NUT	ECROU	•	•	1	1
71	10696-109	REARBURNER-ORIFICE LP	ORIFICE DU BRULEUR ARRIERE PL	•	•	1	•
	10696-127	REARBURNER-ORIFICE LP	ORIFICE DU BRULEUR ARRIERE PL	•	•	•	1
72	S21420	PUSH NUT	POUSSE ECROU	2	2	2	2
74	S21084	SCREW - #14 x 3/4	VIS - #14 x 3/4	10	10	10	10
75	10338-400	HANDLE	POIGNÉE	1	1	1	1
75A	10184-E705C	STRAP - HANDLE	COURROIE - POIGNÉE	1	1	1	1
76	S21255	WASHER	RONDELLE	10	10	2	2
78	10892-15	CASTOR	ROULETTES	2	2	2	2
79	Y-11561	BOLT - 1/4:20 x 1 3/4	BOULON - 1/4:20 X 1 3/4	8	8	8	8
80	Y-11546	SCREW- 1/4-20 X 5/8	VIS - 1/4-20 X 5/8	6	6	4	4
81	Y-12860	SCREW - 1/4-20 X 1 3/8	VIS - 1/4-20 X 1 3/8	12	12	8	8
82	Y-12673	SHELF - LOCK PIN	ÉTAGERE - GOUPILLE DE SERRURE	2	2	2	2
82A	Y-12855	BOLT- 1/4-20 X 3/8	BOULON - 1/4-20 X 3/8	2	2	2	2
83	Y-12310	BOLT- 1/4-20 X 3/4	BOULON - 1/4-20 X 3/4	6	6	6	6
84	S15170	AXLE	ESSIEU	1	1	1	1
87	Y-11793	NUT- 1/4-20	ECROU - 1/4-20	16	16	16	16
96	S21125	SCREW - 8 X 1/2	VIS - 8 X 1/2	16	16	16	16
98	S21124	SCREW - 8 X 1/2	VIS - 8 X 1/2	45	45	46	46
98A	Y-12643	SCREW - 8 X 1/2	VIS - 8 X 1/2	12	12	12	12
123	S15115	GREASE PAN - DISPOSABLE	CUVETTE A GRAISSE	1	1	1	1
135	Y-12119	BUSHING	DOUILLE	2	2	2	2
136	10184-E43	ROTISSERIE SHIELD	BOUCLIER DE ROTISSERIE	1	1	1	1
137	10184-E42	ROTISSERIE BRACKET	CROCHET DE ROTISSERIE	•	•	1	1
138	10184-E44	ROTISSERIE SHIELD	BOUCLIER DE ROTISSERIE	1	1	1	1
139	S21061	WING NUT	ECROU PAPILLON	•	•	2	2
140	Y-29306	BOLT - 10-24 x 3/4	BOULON - 10-24 x 3/4	•	•	2	2
141	S15271	ROTISSERIE HANDLE	POIGNEE DE ROTISSERIE	•	•	1	1
142	S15270	ROTISSERIE COUNTER WEIGHT	CONTREPOIDS DE ROTISSERIE	•	•	1	1
143	S15263	BUSHING	COL	•	•	1	1
144	S15287	ROTISSERIE FORKS	FOURCHETTE DE ROTISSERIE	•	•	1	1
145	S15257	SPIT ROD	BROCHETTE	•	•	1	1
146	S15236	ROTISSERIE MOTOR	MOTEUR DE ROTISSERIE	•	•	1	1
147	S15299	WASHER	RONDELLE	•	•	1	1
150	10184-E211	TANK CLAMP	PINCE-CITERNES	1	1	•	•
151	10184-E201	TANK STRAP	SANGLE RÉSERVOIR	1	1	•	•
154	Y-11795	LOCK NUT	CROU DE BLOCAGE	2	2	•	•

