

This Owner's Manual is provided and hosted by [Appliance Factory Parts](#).



Broil-Mate 1161-57 Owner's Manual

[Shop genuine replacement parts for Broil-Mate 1161-57](#)



[Find Your Broil-Mate Grill Parts - Select From 682 Models](#)

----- Manual continues below part list -----

Available Replacement Parts for Broil-Mate 1161-57

91122GC	GP GRID CAST IRON 2PC Set
18013	LARGE PROBE HEAT INDICATOR
10184-R19	TANK RETAINER-PEDESTAL-NEW
10240-15	HINGE PIN SIDE SHELF DROP DOWN
S21237	HINGE PIN SPACER
10892-15	CASTER 2 1/2 INCH WHEEL KNURLED
S21124	SCREW PHCP #8 X 12 +
S14019	NAMEPLATE BROILMATE LG FLSH +
10892-931A	WHEEL 7 INCH GREY WALL
18429	FLAV R WAVE - SIGNET/SOVEREIGN
22009-901	GREASE PAN FORMED +
10473-E392	CASTING TOP 390
10184-E62	SHELF SUPPORT BRACKET LHS +
10184-E63	SHELF SUPPORT BRACKET RHS +
10184-E691	ALIGNMENT BRACKET BLACK
S15170	AXLE PLTD 3/8X20 5/8 CAB +
10473-E394	CASTING TOP 390 SLOPED FRONT
10958-E395A	INSERT 390 ELT SS 02
10225-E390	GRID UPPER NICK/CHRME 390/400+
10184-E501	CASTING SUPPORT L BLK
10184-E511	CASTING SUPPORT RHS BLK
10958-E400	TOP CASTING INSERT SS
10184-E92	RADIATION SHIELD 390/400
94001	heat plate, ss, 13.75 x 6.25
10222-E402	BAFFLE SIGNET/SOVEREIGN
10711-E42A	EDGE CAP CONTROL COVER LHS
10711-E41A	EDGE CAP CONTROL COVER RHS +
10956-E881	BRACE REAR BLACK
16541	burner, str pipe, ss, 14.375 x 1; Huntin
94031	USE MCM909400114

00475	heat indicator
10711-E764	SIDE SHELF ASSY LEFT 390
10958-E562	PEDESTAL SIDE PANEL BLK CHR
10366-664A	COLLECTOR BOX ASSEMBLY +
52904-E400LP	BURNER MAIN SINGLE TUBE LP +
80012	regulator and hose READ ADD. INFO
10342-245	IGNITOR ELECTRONIC DUAL +
04831	ELECTRODE WITH WIRE
10444-E30	CONTROL ASSEMBLY 3V LP +
543S2	cook grid 304SS 25-1/4x15 INCHES OVERALL
10958-E71	PEDESTAL RESIN BASE LRG +
10111-K45	HOSE 3/8 INCH ASSEMBLY NG 10 FOOT +
10342-E12	ELECTRODE W/WIRE +
10472-K431	CONTRL KNOB RESIN LRG BLCK W/SS BA STRIP
24005-12AB	LID-HANDLE BENT,

broil-mate™

REDDI- BILT BARBECUES

ASSEMBLY MANUAL & PARTS LIST

MANUEL DE MONTAGE & LISTE DE PIÈCES



broil-mate™

1161-54
1161-57



broil-mate™

1961-54
1961-57

RETAIN FOR FUTURE REFERENCE

VEUILLEZ CONSERVER POUR REFERENCE ULTERIEURE

1-800-265-2150

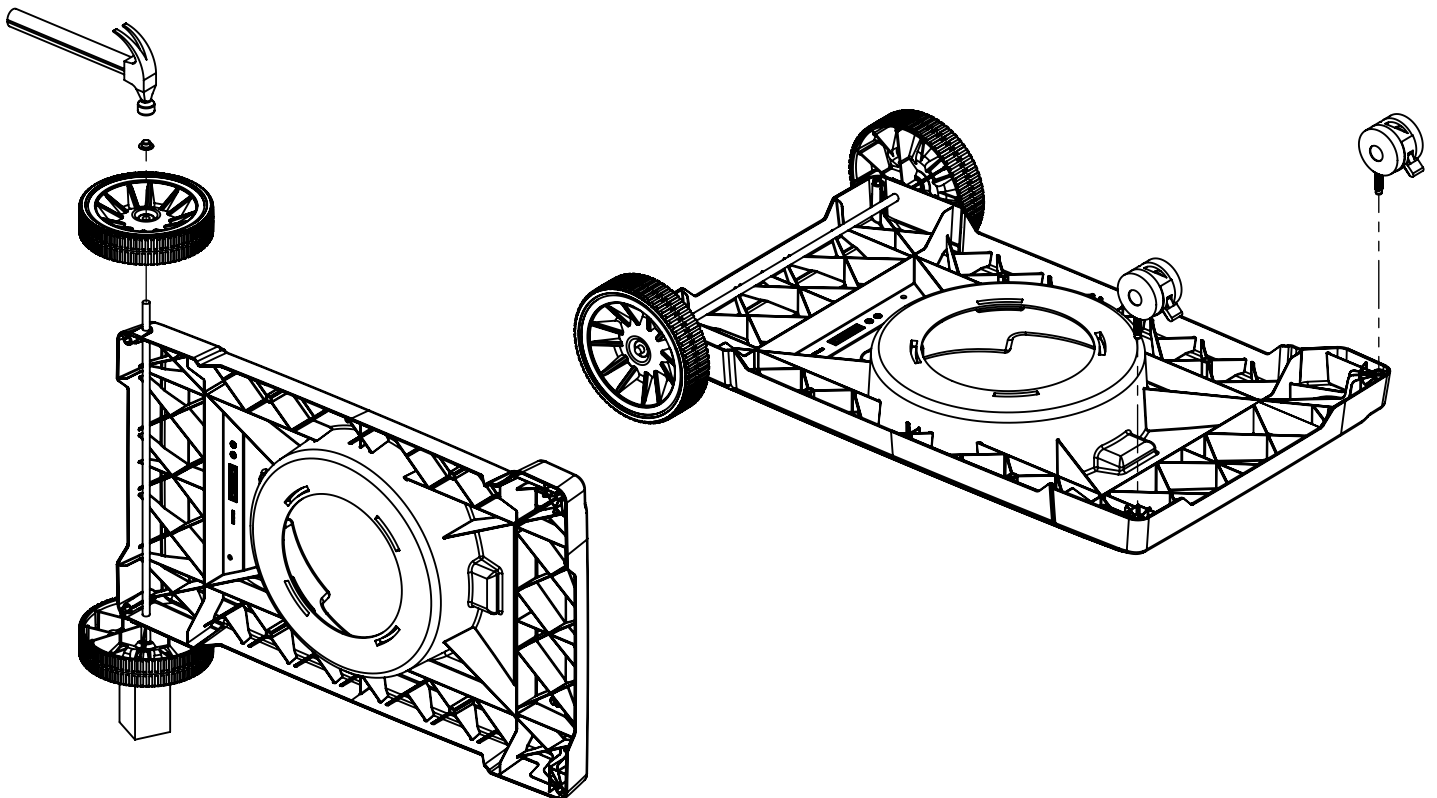
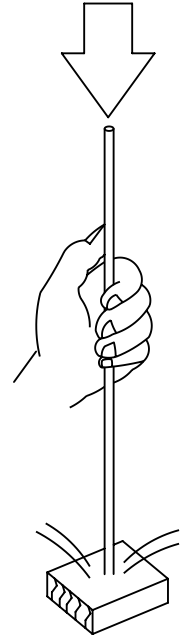
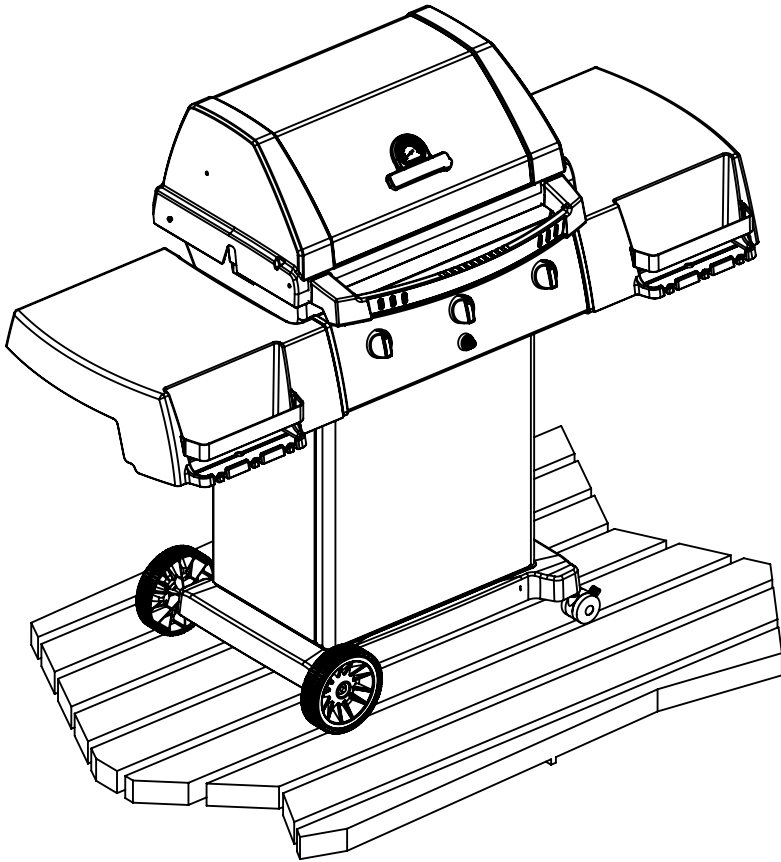
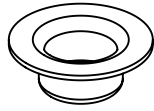
info@omcbbq.com

Onward
SINCE 1906
MANUFACTURING COMPANY
585 KUMPF DRIVE LIMITED
WATERLOO, ONTARIO, CANADA
N2V 1K3

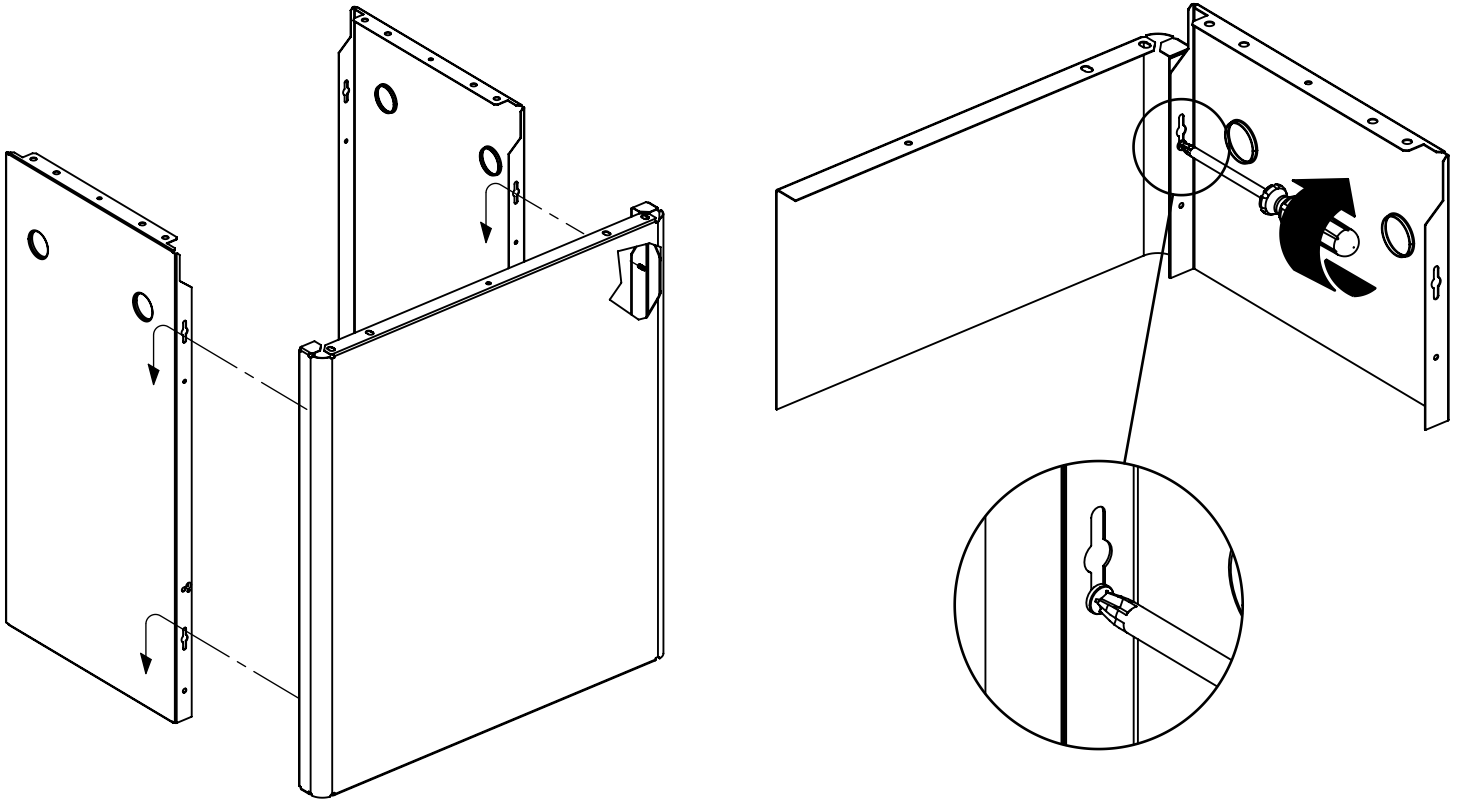
S18690 REV A 11/12

1

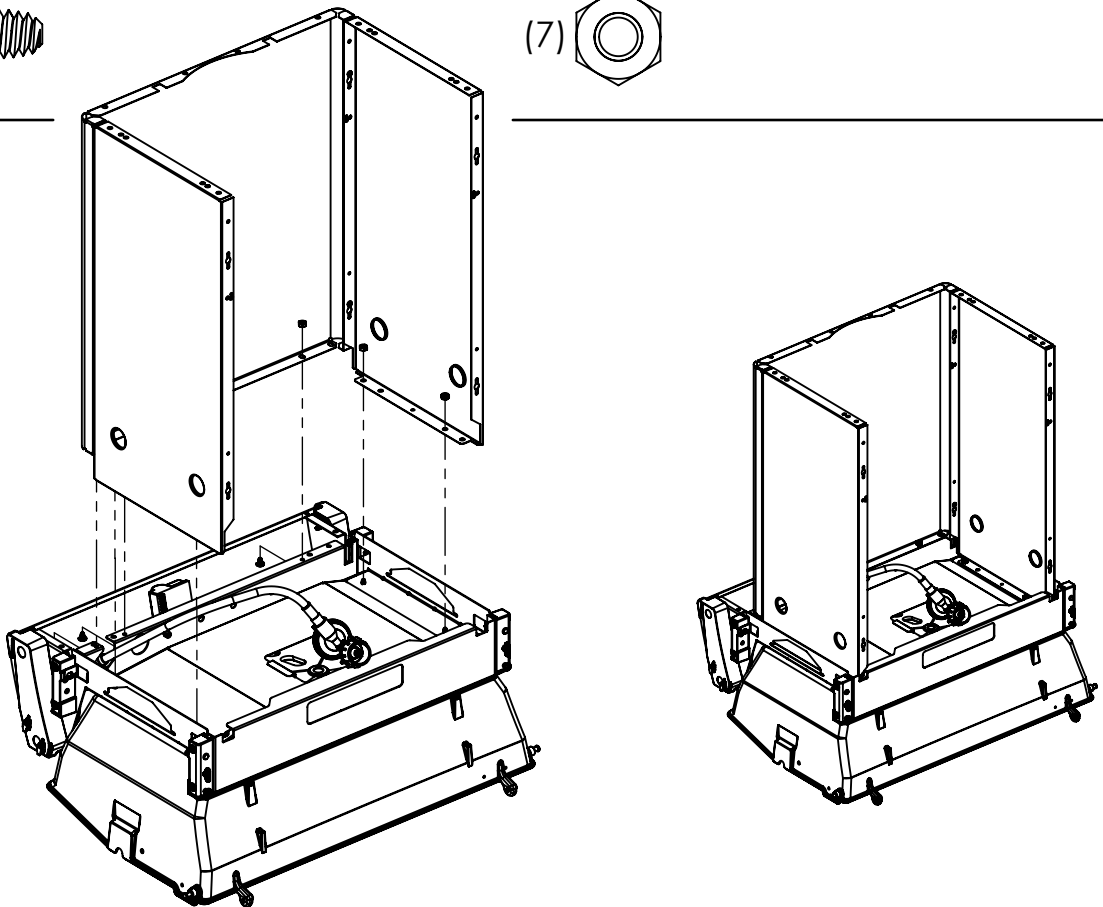
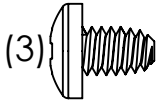
(2)



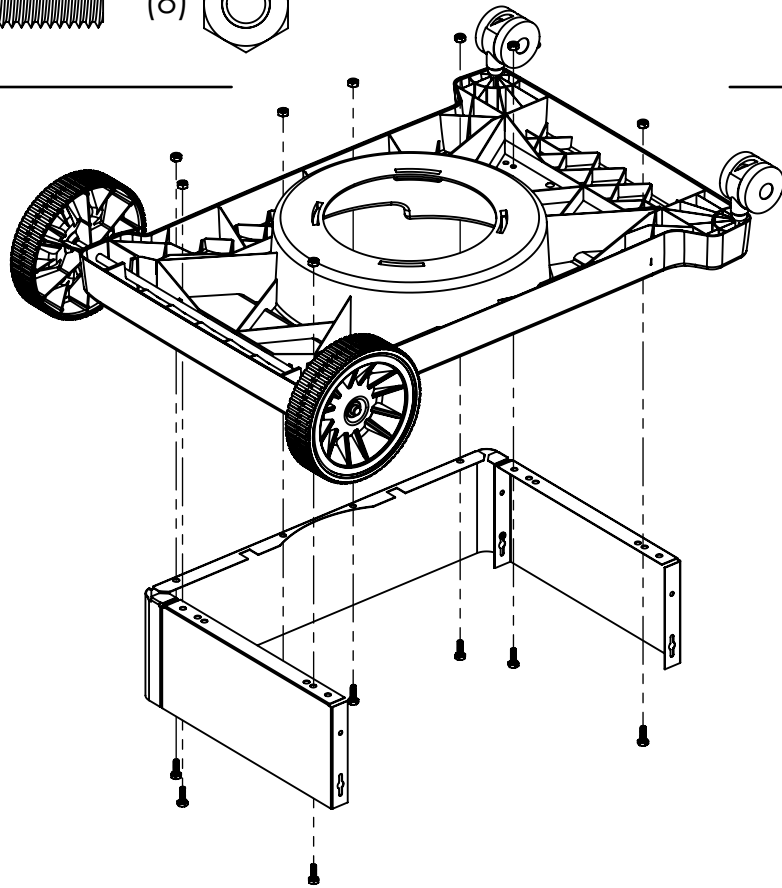
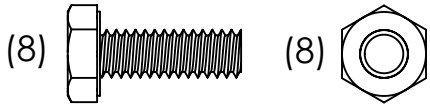
2



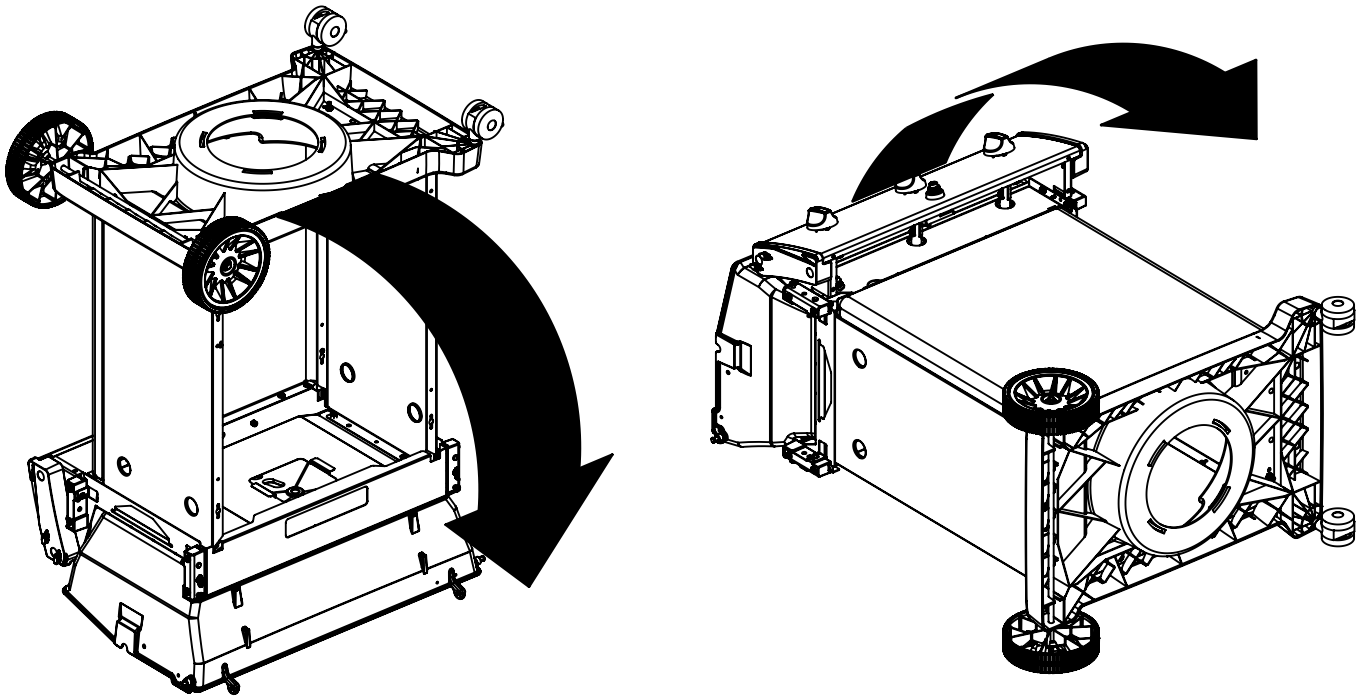
3




4

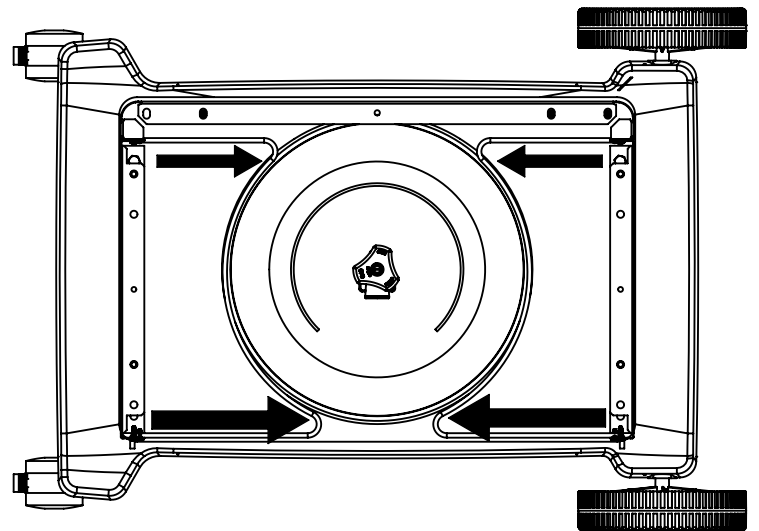
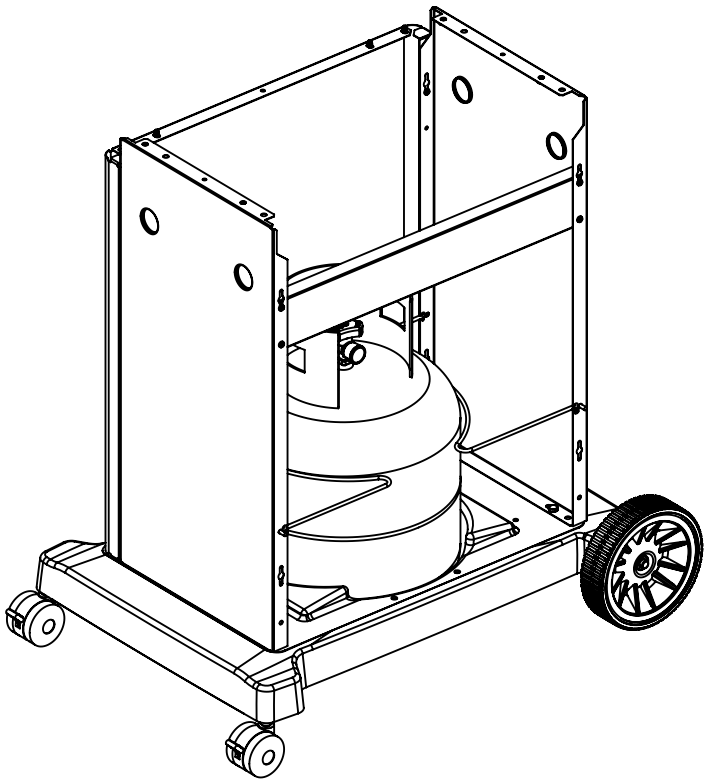
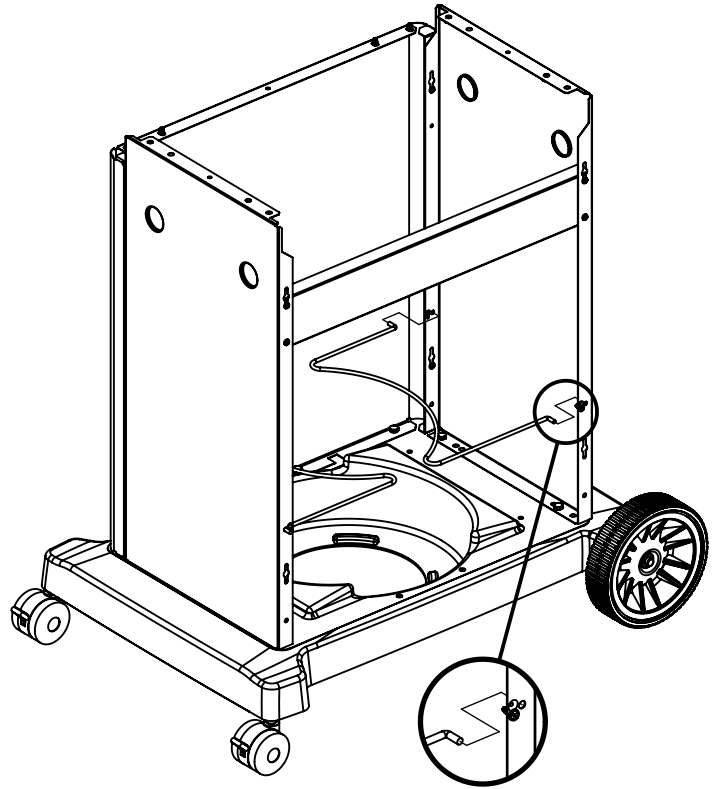
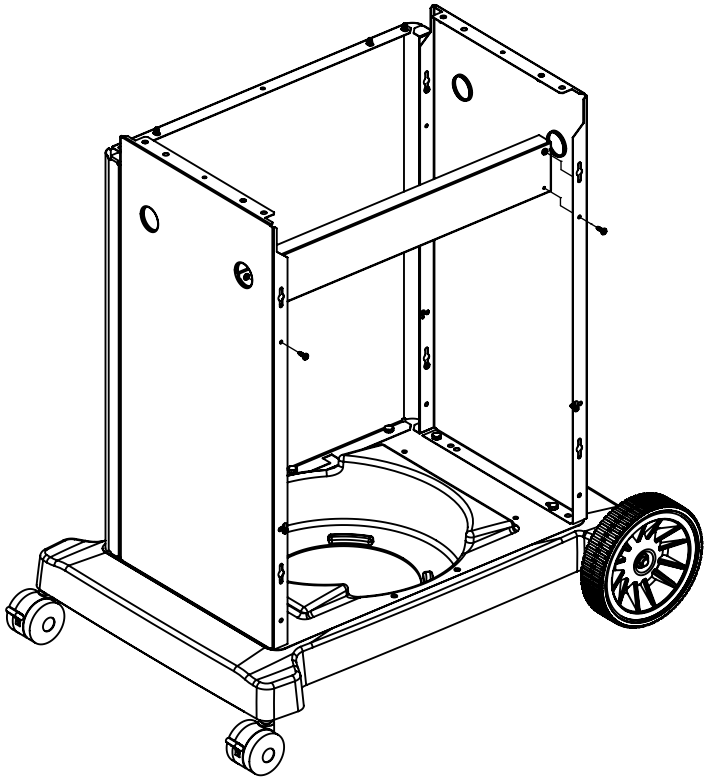


5



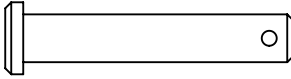
6

(2) 

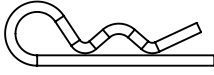


7

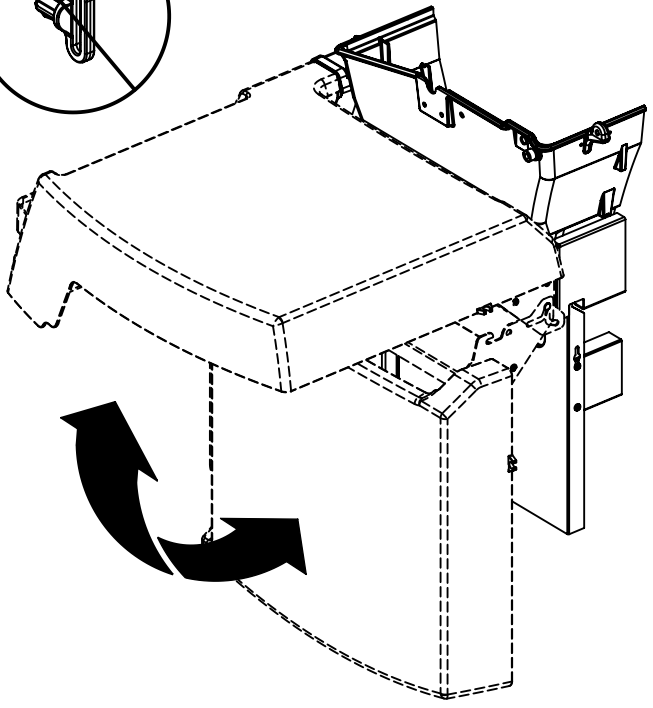
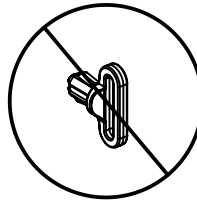
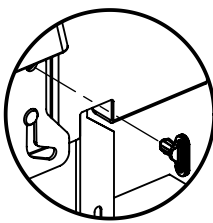
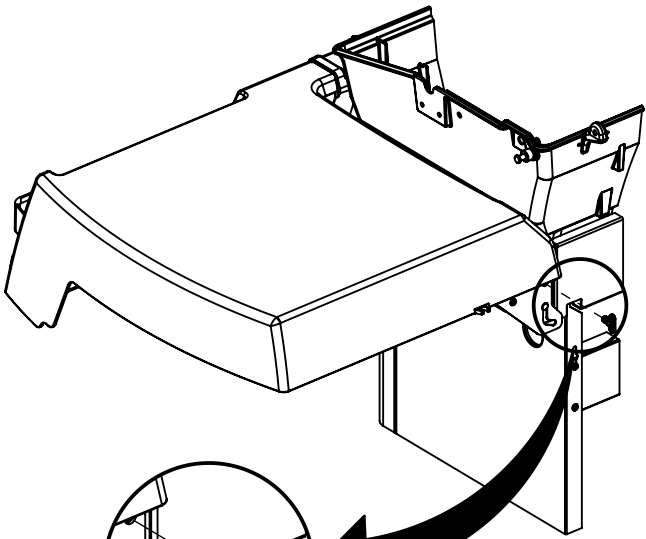
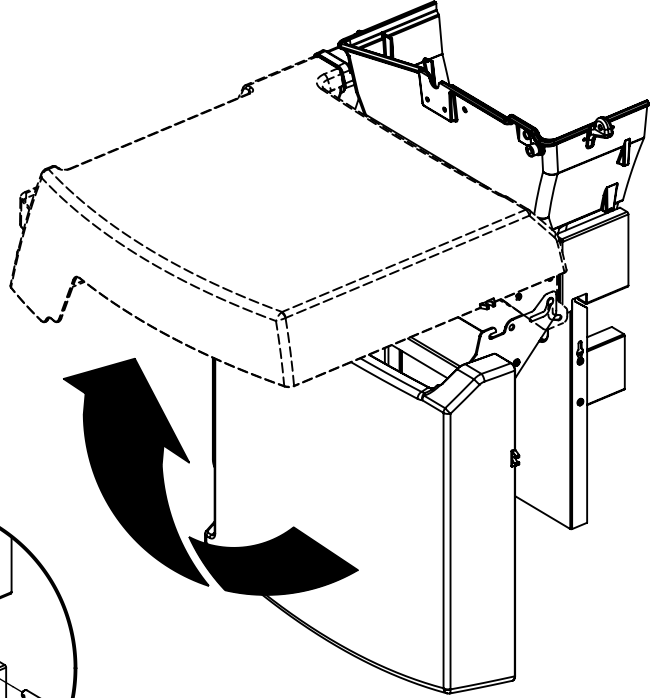
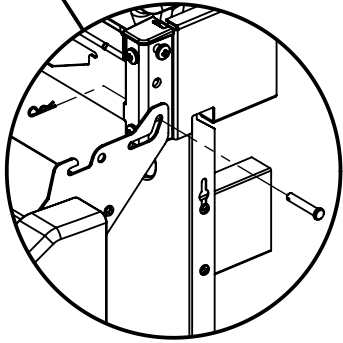
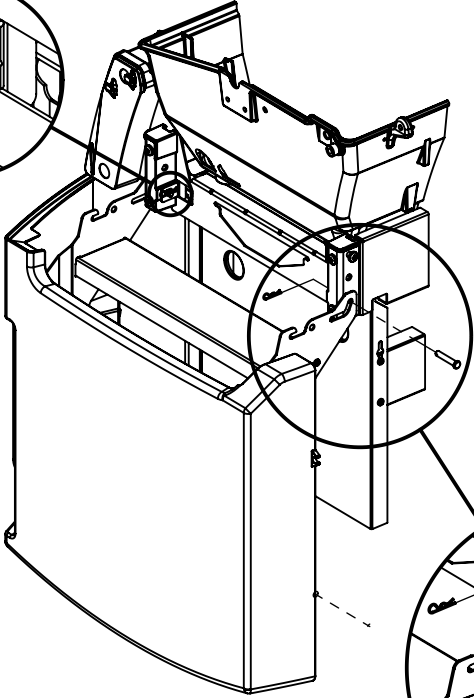
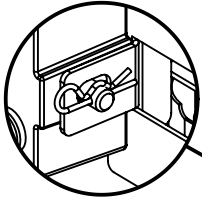
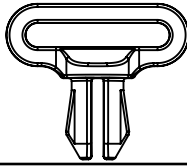
(4)



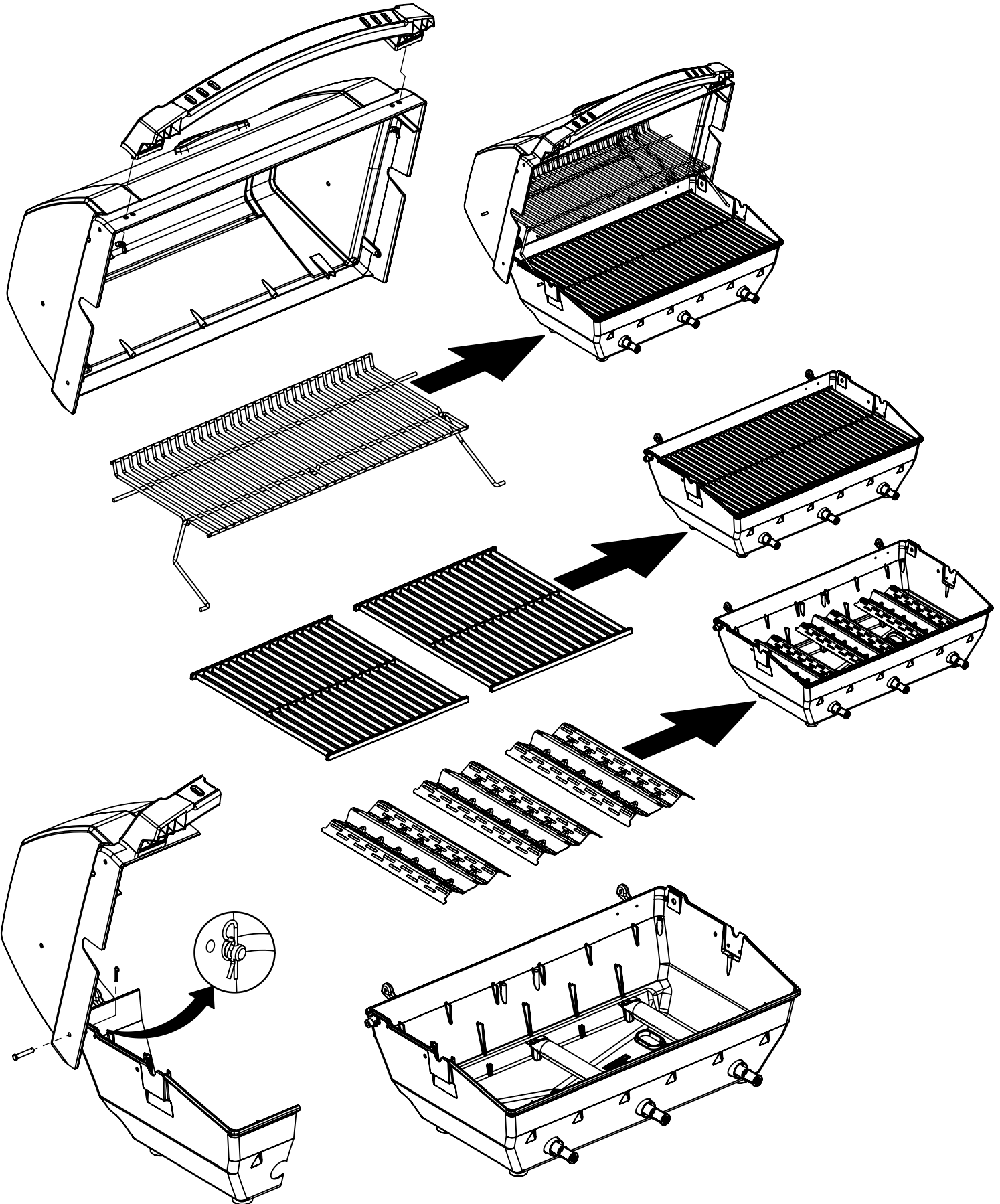
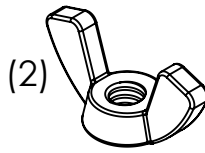
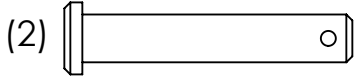
(4)

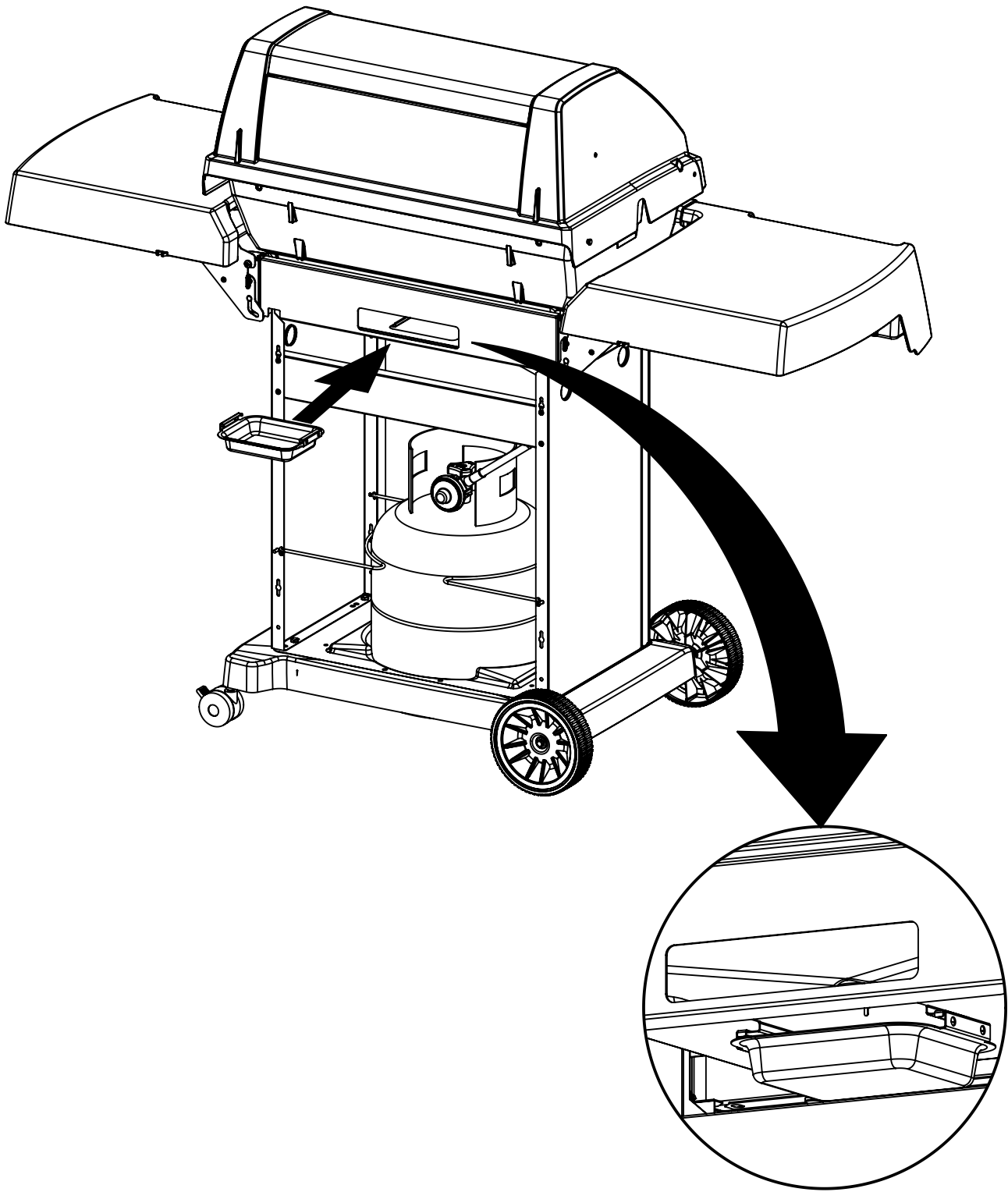


(2)



8





PARTS LIST / LISTE DES PIECES

KEY #	ITEM #	DESCRIPTION	DESCRIPTION	1161-54	1161-57	1961-54	1961-57
1	10909-E400	CASTING BOTTOM	FOND DU FOYER	1	1	1	1
2	10473-E392	CASTING TOP	COUVERCLE DU GRIL	1	1	•	•
	10473-E394	CASTING TOP	COUVERCLE DU GRIL	•	•	1	1
3	S14019	NAMEPLATE	PLAQUE D'IDENTIFICATION	1	1	1	1
4	10958-E395	TOP CASTING INSERT	PANNEAU DE COUVERCLE	•	•	1	1
	10958-E400	TOP CASTING INSERT	PANNEAU DE COUVERCLE	1	1	•	•
5	10571-6	HEAT INDICATOR	INDICATEUR DE CHALEUR	1	1	1	1
6	10240-15	HINGE PIN	GOUPILLE DE CHARNIÈRE	6	6	6	6
6A	S21237	HINGE SPACER	ENTRETOISE DE CHARNIÈRE	2	2	2	2
7	S21233	HITCH PIN CLIP	ATTACHE DE CHEVILLE	6	6	6	6
9	38170121	GRID - PORCELAIN	GRILLE	2	2	2	2
10	10222-E400	FLAV-R-WAVE	FLAV-R-WAVE	3	3	3	3
11	10225-E390	GRID - WARMING RACK	GRILLE	1	1	1	1
15	52904-E400LP	BURNER	BRÛLEUR	1	1	•	•
	52904-E400NG	BURNER	BRÛLEUR	•	•	1	1
17	10342-245	ELECTRONIC IGNITOR	ALLUMAGE ÉLECTRONIQUE	1	1	1	1
18	10342-E12	ELECTRODE	ELECTRODE	2	2	2	2
19	10366-664	COLLECTOR BOX	BOÎTE DE COLLECTEUR	1	1	1	1
19A	10366-665	COLLECTOR BOX	BOÎTE DE COLLECTEUR	1	1	1	1
21	10444-E40	CONTROL ASSEMBLY	SOUPAPE	1	1	•	•
	10444-E41A	CONTROL ASSEMBLY	SOUPAPE	•	•	1	1
22	10114-20	HOSE & REGULATOR	TUYAU ET REGULATEUR	1	1	•	•
	10111-K45	HOSE NATURAL GAS	TUYAU (GAZ NATUREL)	•	•	1	1
23	10472-K431	CONTROL KNOB	BOUTON DE CONTROLE	3	3	3	3
23A	10472-K38	CONTROL BEZEL	MONTURE DE CONTROLE	3	3	•	•
30	10194-E735	CONTROL COVER	PANNEAU DE CONTROLE	1	1	1	1
31	10711-E42A	EDGE CAP - CONTROL COVER	PAC DE BORD GAUCHE	1	1	1	1
32	10711-E41A	EDGE CAP - CONTROL COVER	PAC DE BORD DROIT	1	1	1	1
33	10184-E92	RADIATION SHIELD	ÉCRAN DE CHALEUR	1	1	1	1
35	10184-E501	SUPPORT-CASTING-LEFT	SUPPORT GAUCHE DU FOYER	1	1	1	1
36	10184-E511	SUPPORT-CASTING-RIGHT	SUPPORT DROIT DU FOYER	1	1	1	1
37	10184-E751	SUPPORT-SIDE SHELF-LEFT	SUPPORT TABLETTE DE GAUCHE	2	2	2	2
37A	10184-E62	SUPPORT-SIDE SHELF-LEFT	SUPPORT TABLETTE DE GAUCHE	2	2	2	2
38	10184-E741	SUPPORT-SIDE SHELF-RIGHT	SUPPORT TABLETTE DE DROIT	2	2	2	2
38A	10184-E63	SUPPORT-SIDE SHELF-RIGHT	SUPPORT TABLETTE DE DROIT	2	2	2	2
39	10956-E881	BRACE-REAR	SUPPORT ARRIERE	1	1	1	1
40	10958-E71	BASE	TABLETTE INFÉRIEURE	1	1	1	1
41	10956-E891	BRACE-FRONT	SUPPORT AVANT	1	1	1	1
42	10958-E582	FRONT PANEL	PANNEAU AVANT	1	1	1	1
43	10958-E562	SIDE PANEL	PANNEAU LATÉRALE	2	2	2	2
44	10184-R19	TANK RETAINER	SERVITEUR DU RESERVOIR PL	2	2	2	2
45	10184-E231	PEDESTAL BRACE	CROCHET DE PIÉDESTAL	1	1	1	1
47	10184-E691	SHELF BRACKET	SUPPORT POUR TABLETTE	2	2	2	2
50	10711-E75	SHELF - SIDE - RIGHT	PLANCHETTE LATÉRALE – DROIT	1	1	1	1
50A	10184-E733	SHELF STRAP	COURROIE - PLANCHETTE	2	2	2	2
51	10711-E76	SHELF - LEFT	PLANCHETTE LATÉRALE - GAUCHE	1	1	1	1
56	10892-7G	WHEEL	ROUE	2	2	2	2
73	S21420	PUSH NUT	POUSSE ECROU	2	2	2	2
74	S21084	SCREW - #14 x 3/4	VIS - #14 x 3/4	15	15	15	15
75	10338-391A	HANDLE	POIGNÉE	1	1	1	1
75A	10184-E70C	STRAP - HANDLE	COURROIE - POIGNÉE	1	1	1	1
77	Y-12673	SHELF - LOCK PIN	ÉTAGÈRE - GOUPILLE DE SERRURE	2	2	2	2
78	10892-15	CASTOR	ROULETTES	2	2	2	2
79	Y-11561	BOLT – 1/4:20 x 1 3/4	BOULON - 1/4:20 X 1 3/4	8	8	8	8
80	Y-11546	SCREW- 1/4-20 X 5/8	VIS – 1/4-20 X 5/8	4	4	4	4
81	Y-12860	SCREW – 1/4-20 X 1 3/8	VIS – 1/4-20 X 1 3/8	8	8	8	8
82	Y-12855	BOLT- 1/4-20 X 3/8	BOULON – 1/4-20 X 3/8	3	3	3	3
83	S21014	BOLT - 1/4 -20 X 3/4	BOULON -1/4 -20 X 3/4	8	8	8	8
84	S15170	AXLE	ESSIEU	1	1	1	1
87	Y-11793	NUT- 1/4-20	ECROU – 1/4-20	19	19	19	19
88	Y-11598	BOLT – 1/4:20 x 1 1/2	BOULON - 1/4:20 X 1 1/2	2	2	2	2
96	S21125	SCREW – 8 X 1/2	VIS - 8 X 1/2	4	4	4	4
98	S21124	SCREW – 8 X 1/2	VIS - 8 X 1/2	23	23	23	23
109	S21136	SCREW – 8-32 X 3/8	VIS – 8-32 X 3/8	2	2	2	2
123	22009-901	GREASE PAN - DISPOSABLE	CUVETTE A GRAISSE	1	1	1	1
135	Y-12119	BUSHING	DOUILLE	2	2	2	2

