

This Owner's Manual is provided and hosted by [Appliance Factory Parts](#).



Broil-Mate 7123-67 Owner's Manual

[Shop genuine replacement parts for Broil-Mate 7123-67](#)

BROIL-MATE

[Find Your Broil-Mate Grill Parts - Select From 682 Models](#)

----- Manual continues below part list -----

Available Replacement Parts for Broil-Mate 7123-67

10802	stainless steel burner
5S672	grid, ss wire, 17.375 x 26.25; Grill Mas
66024	grid, ci, 17.375 x 25.5; Huntington
96021	HEAT PLATE PORCELAIN STEEL
03330	spark generator
00475	heat indicator
16121	BURNER TUBE, EACH SS
04831	ELECTRODE WITH WIRE



REDI-BILT BARBECUES

ASSEMBLY MANUAL & PARTS LIST

MANUEL DE MONTAGE & LISTE DE PIÈCES



STERLING®

5023-64/67
5123-64/67
5123-84/87

broil-mate™

7123-64/67
7123-84/87

STERLING®

5133-64/67
5139-84/87

broil-mate™

7133-64/67
7139-84/87

RETAIN FOR FUTURE REFERENCE

VEUILLEZ CONSERVER POUR REFERENCE ULTERIEURE

1-800-265-2150

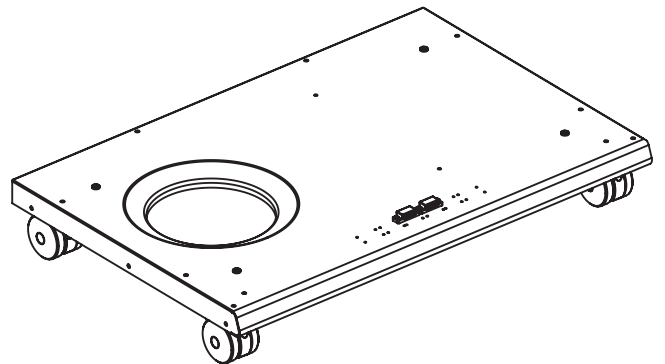
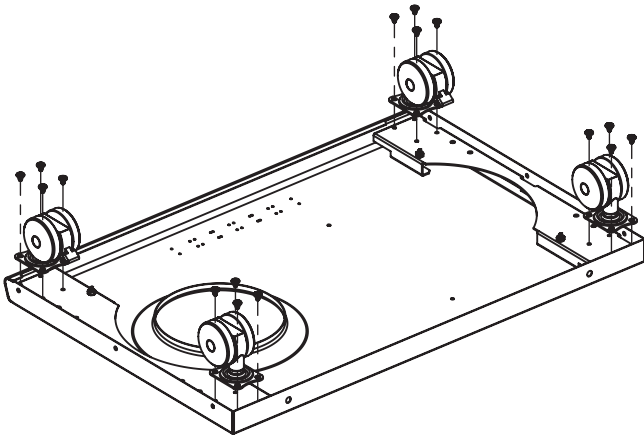
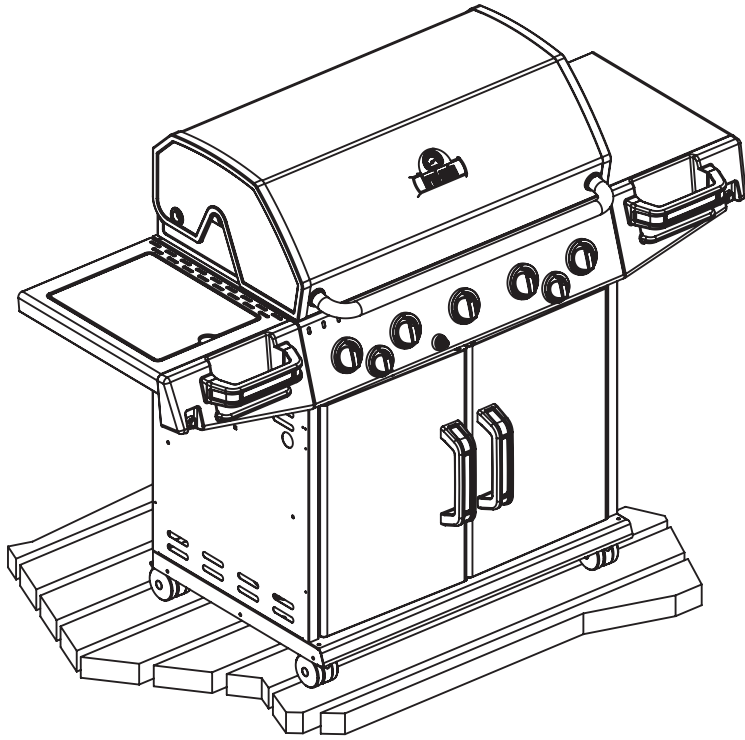
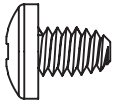
info@omcbbq.com

Onward
MANUFACTURING COMPANY
SINCE 1906
1000 EAST MARKET STREET
HUNTINGTON, INDIANA, 46750, USA

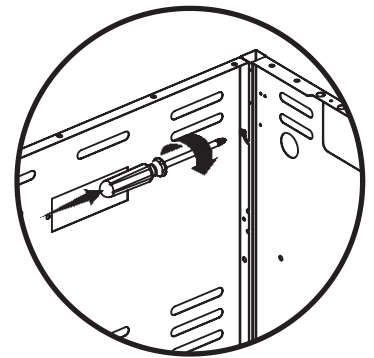
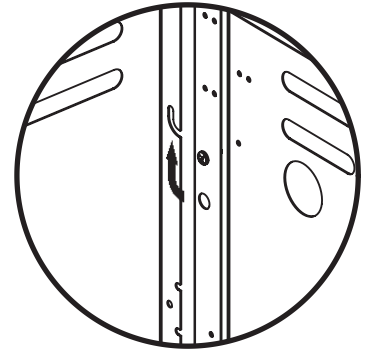
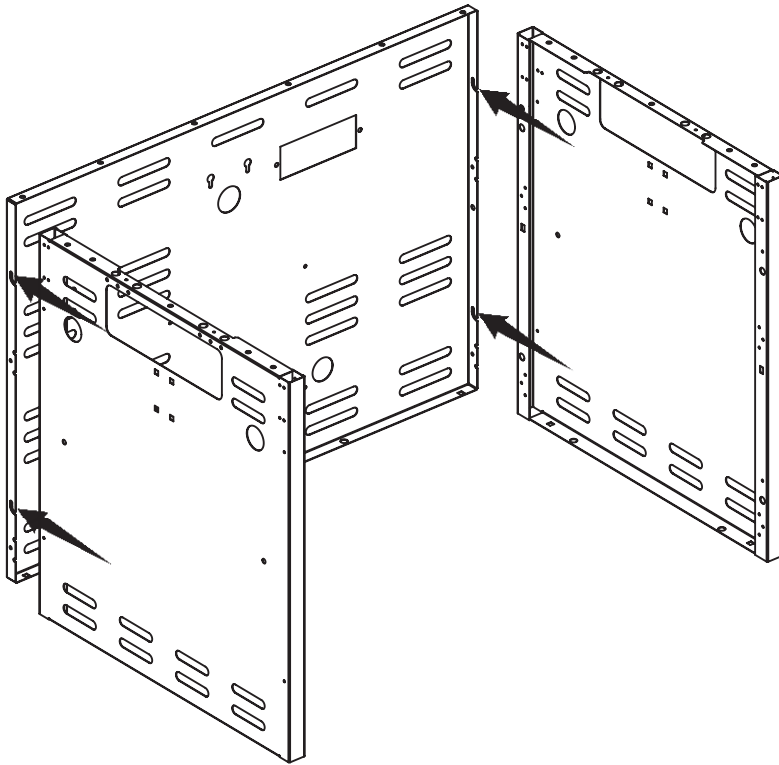
20084-E90 REVE 10/11

1

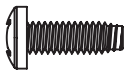
(16)

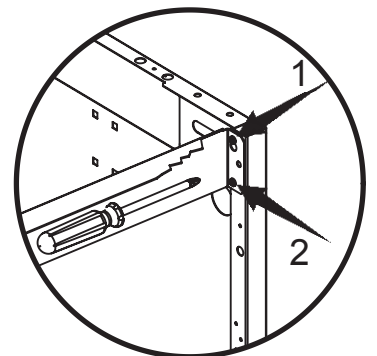
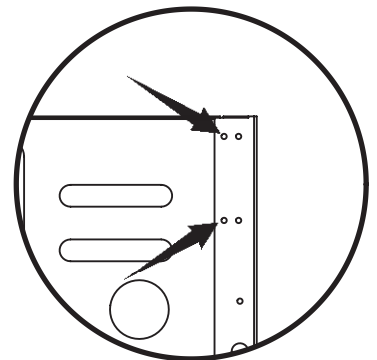
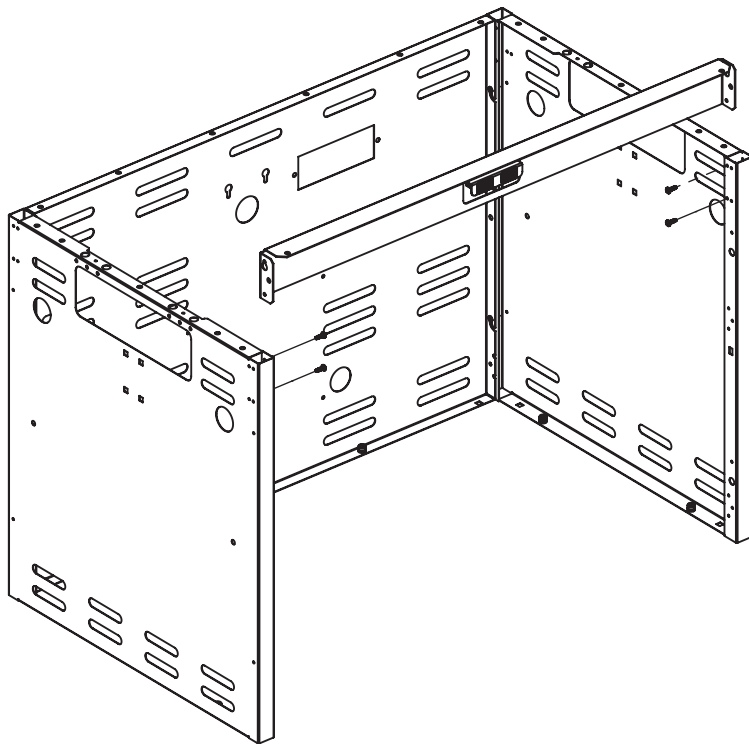


2

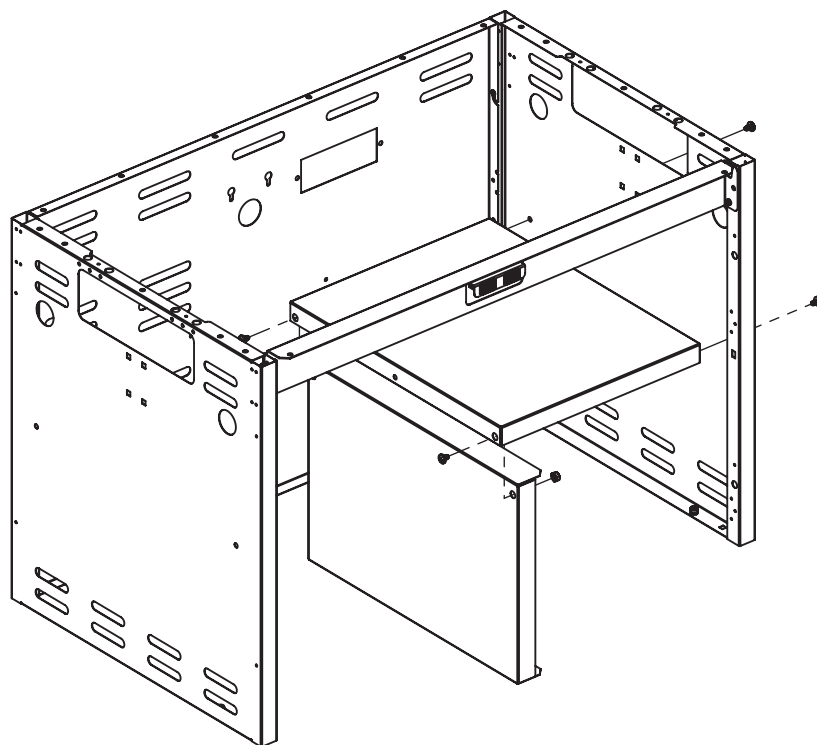
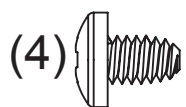


3

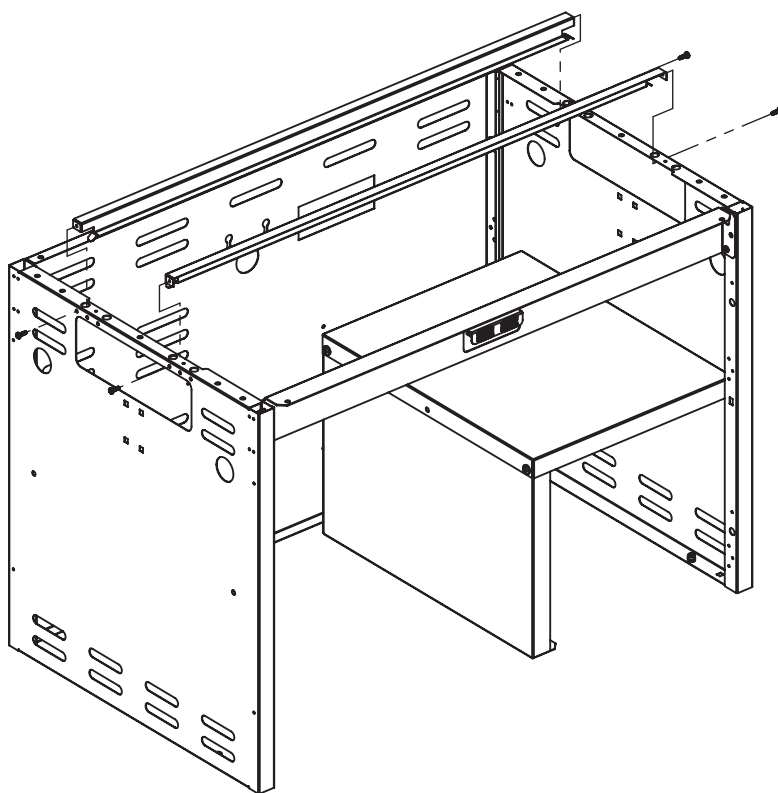
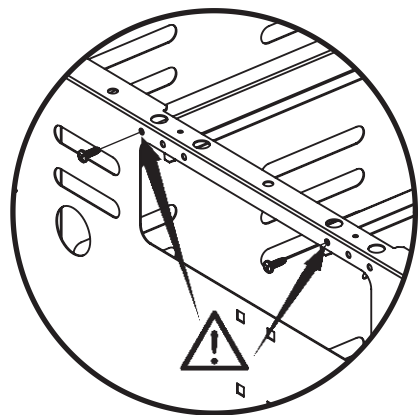
(4) 



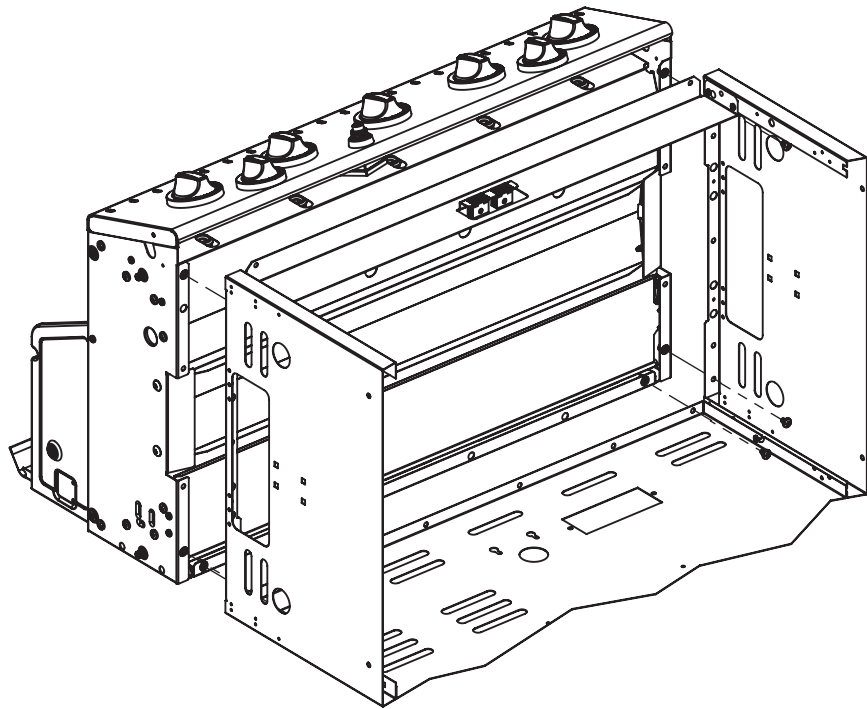
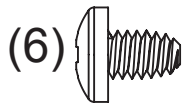
4



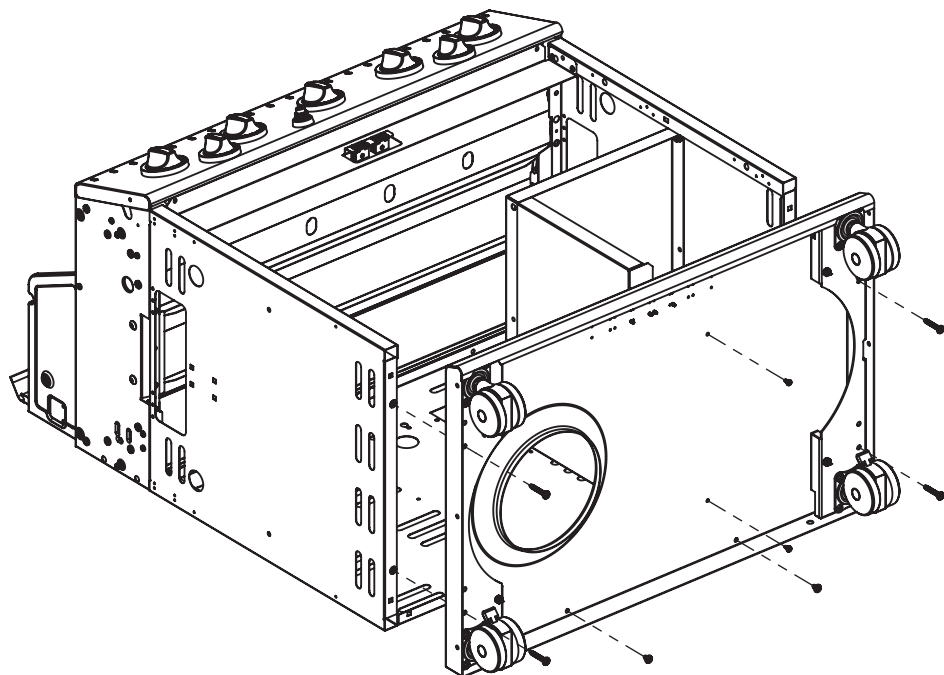
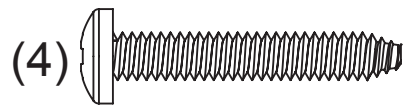
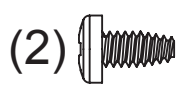
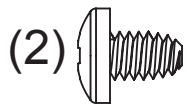
5



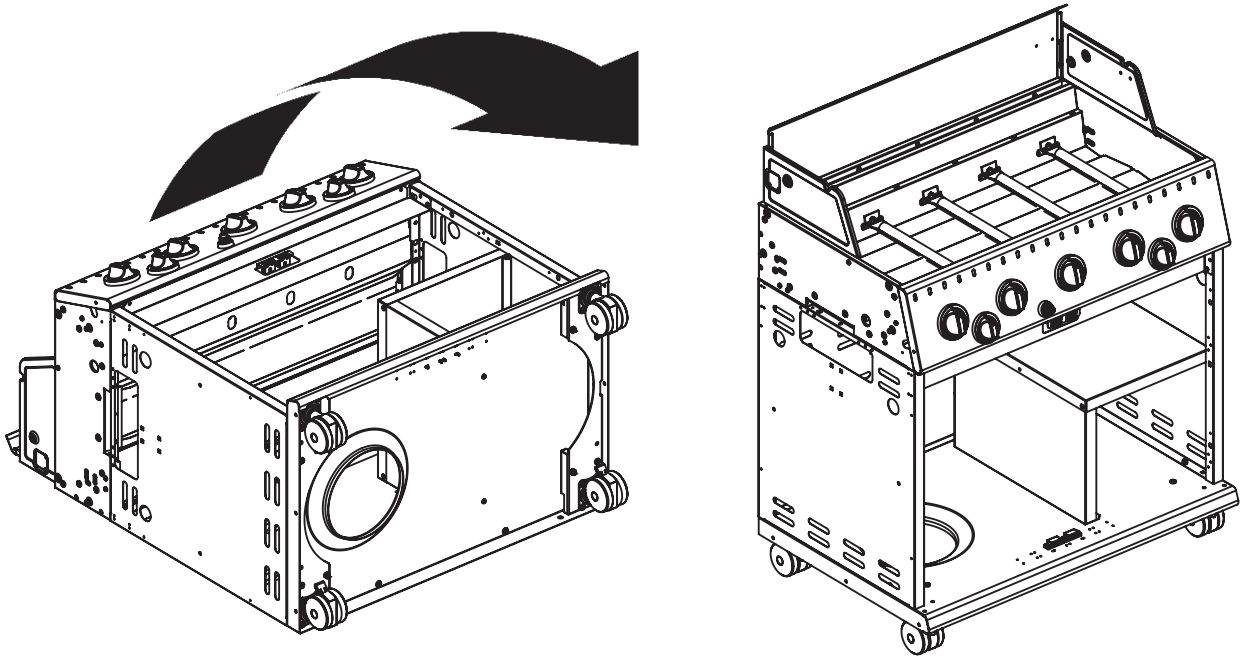
6



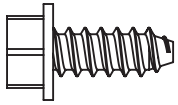
7

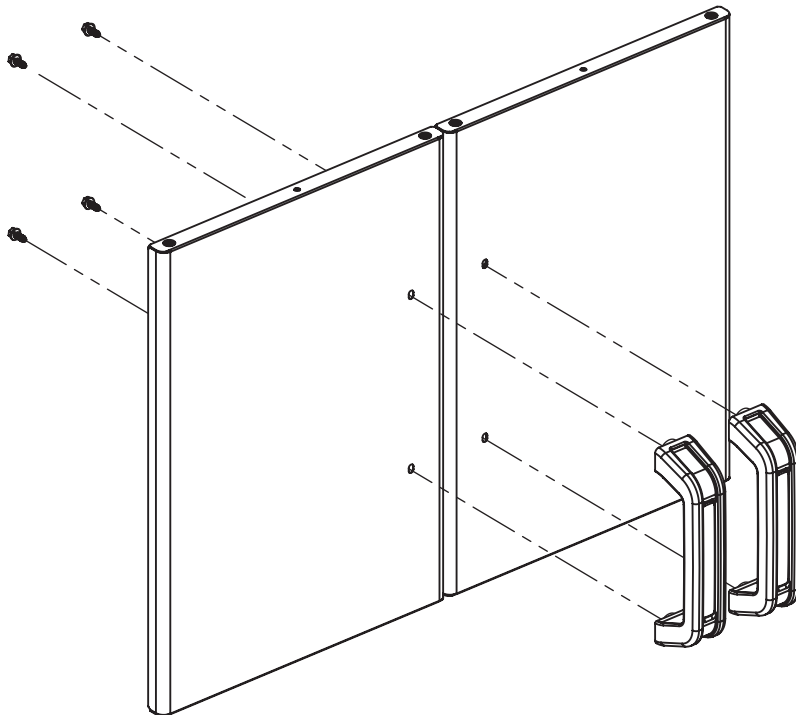


8



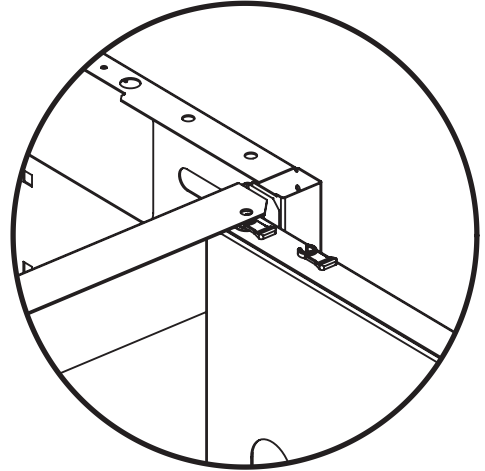
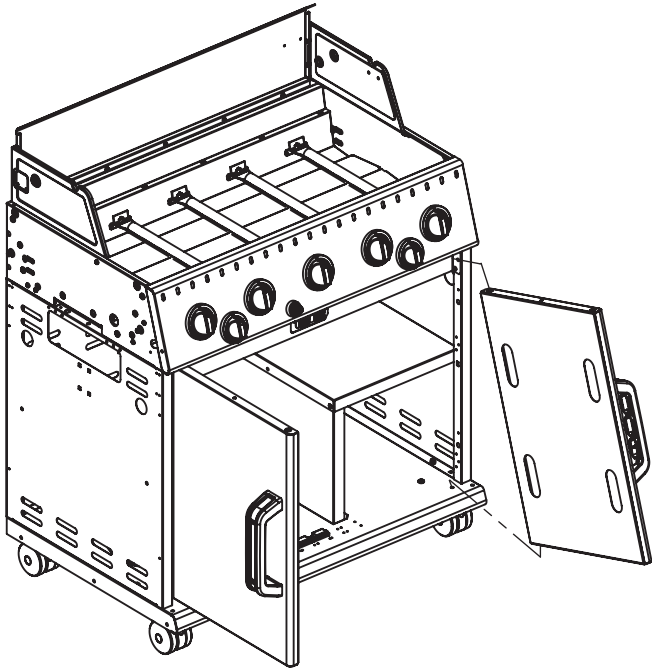
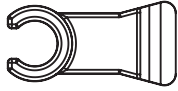
9

(4) 

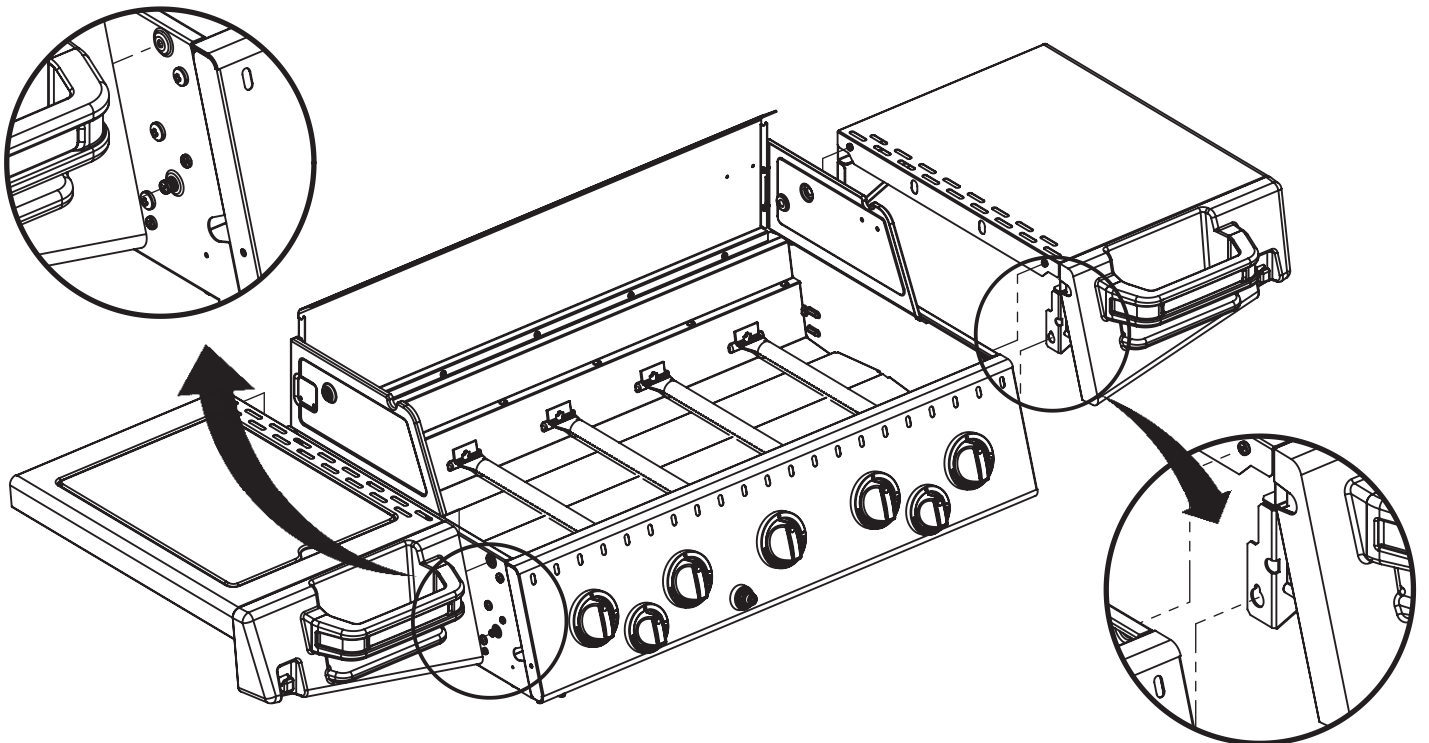


10

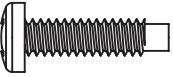
(2)

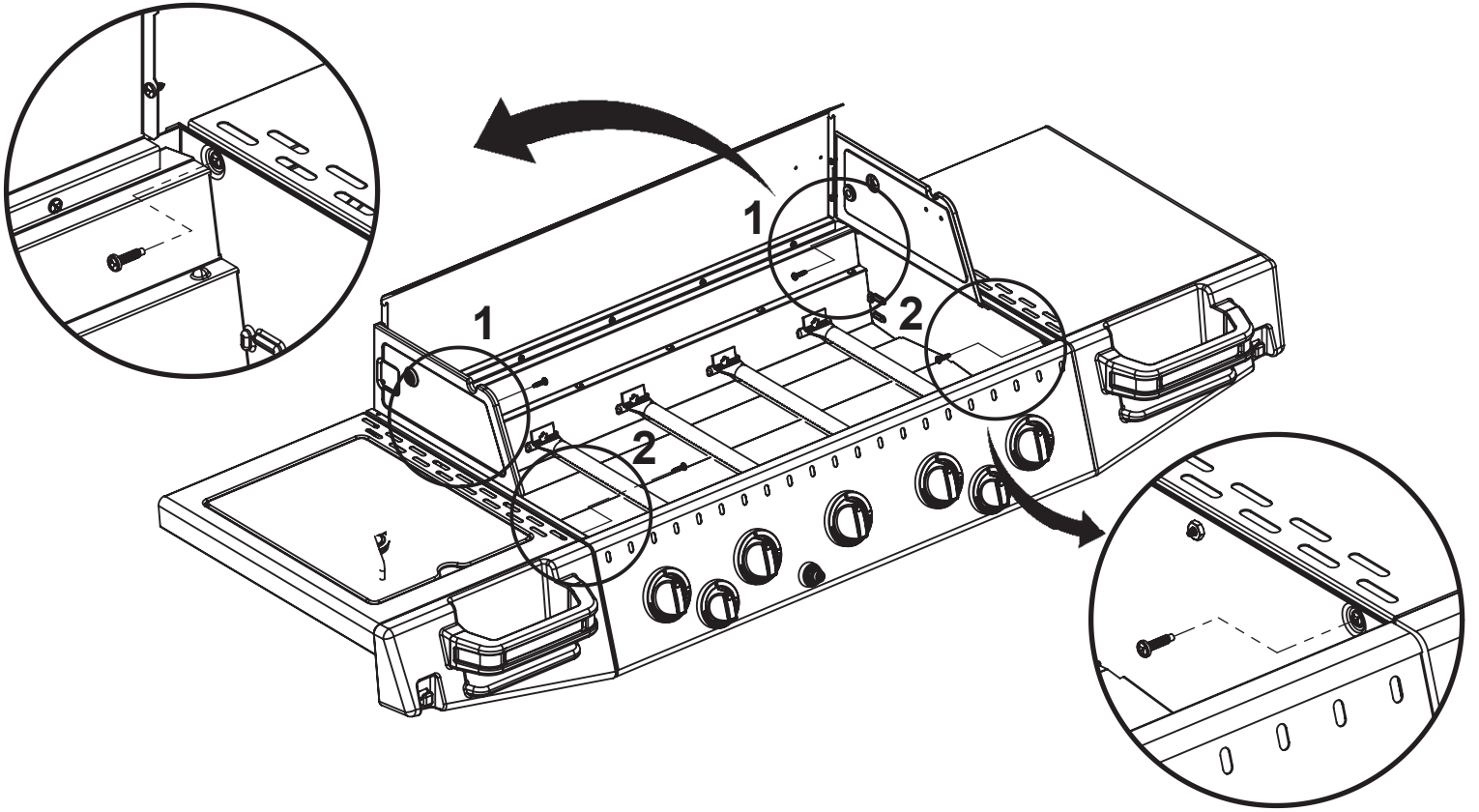


11

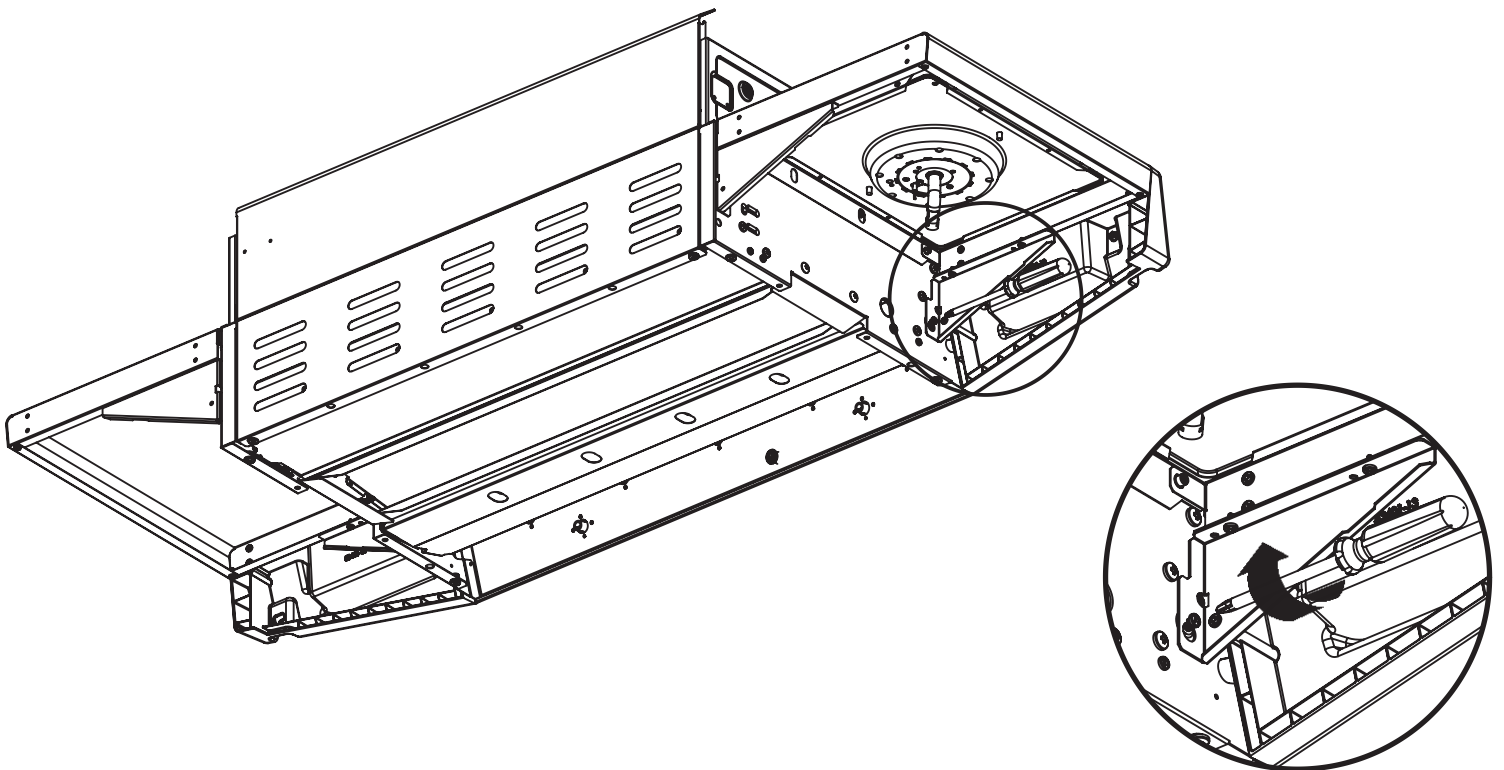


12

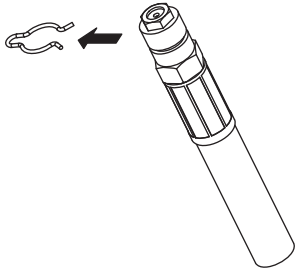
(4) 



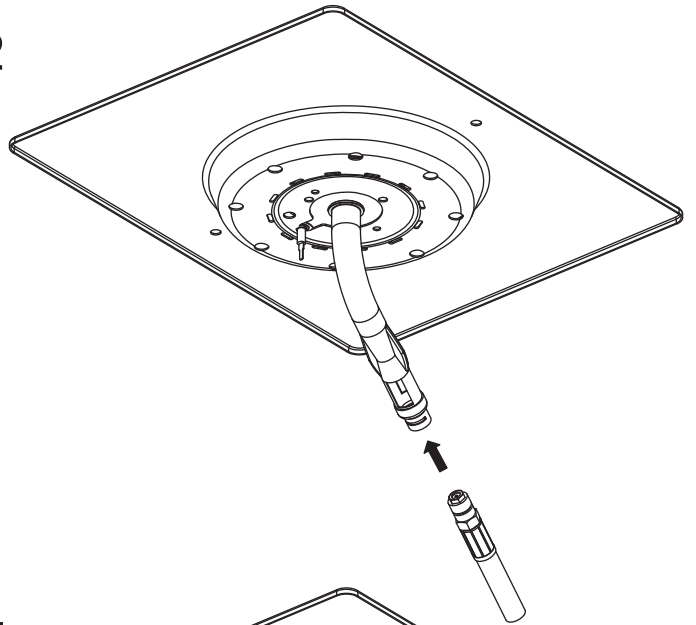
13



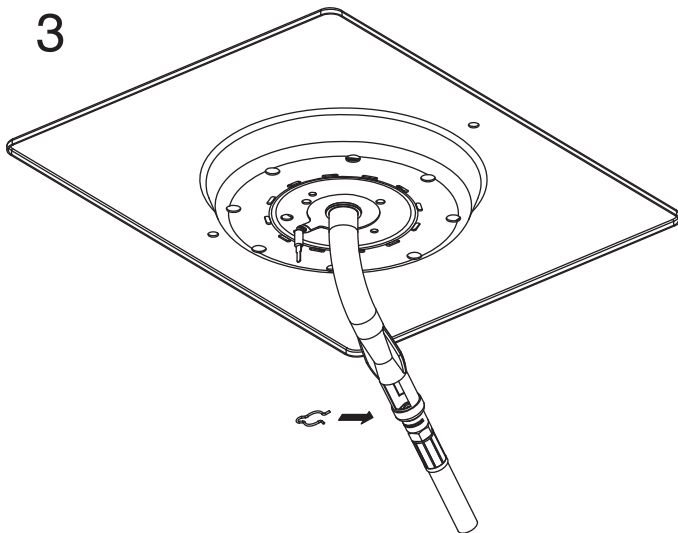
1



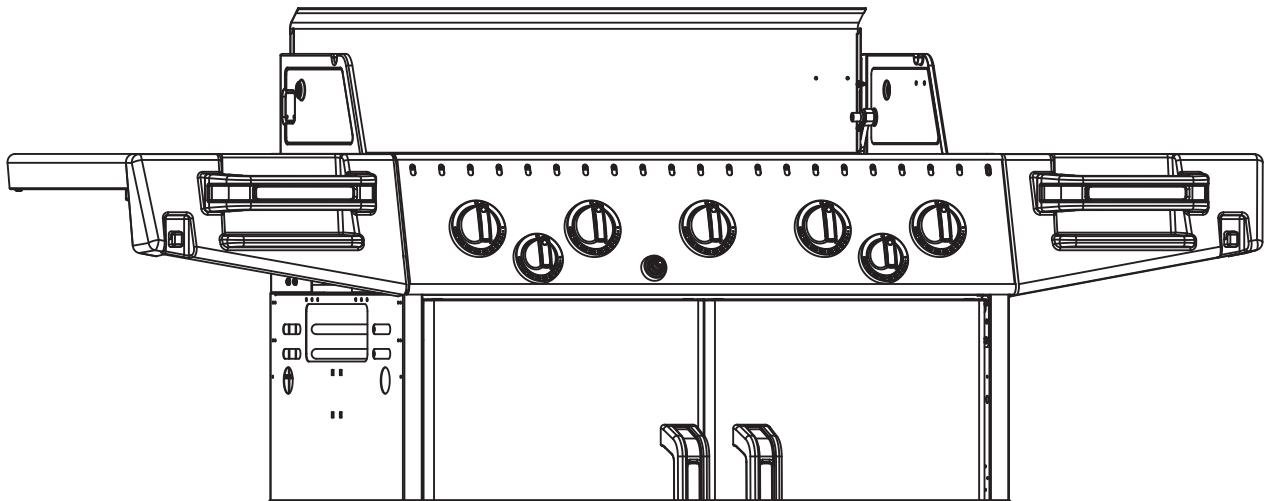
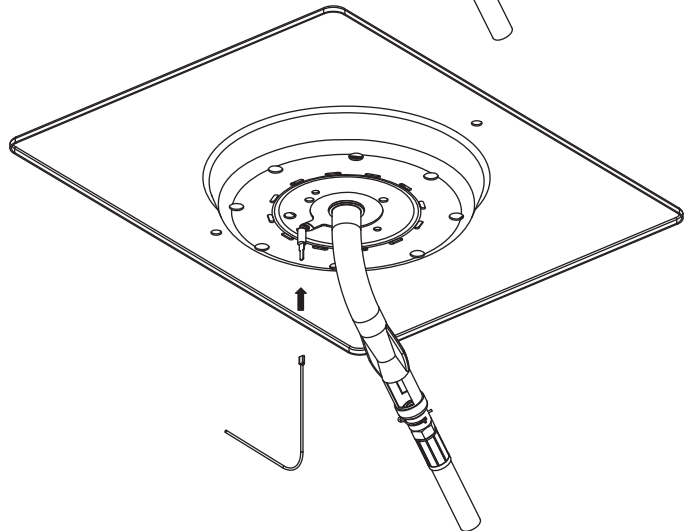
2

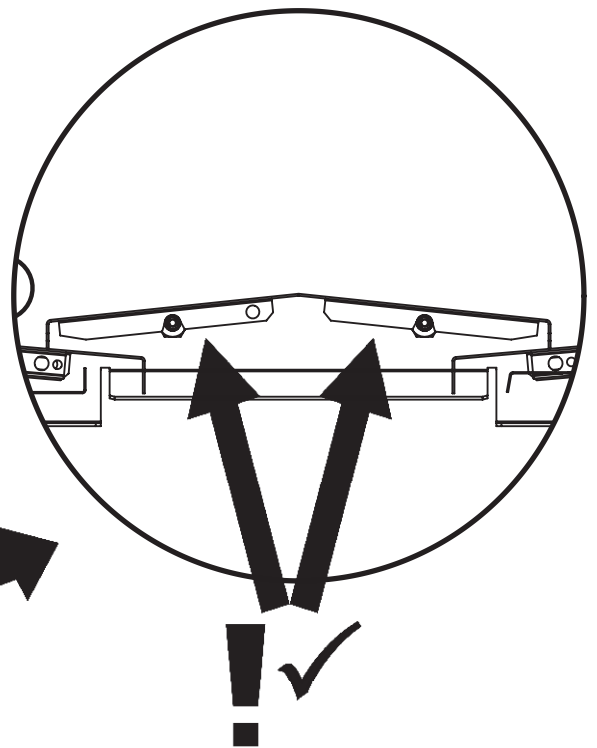
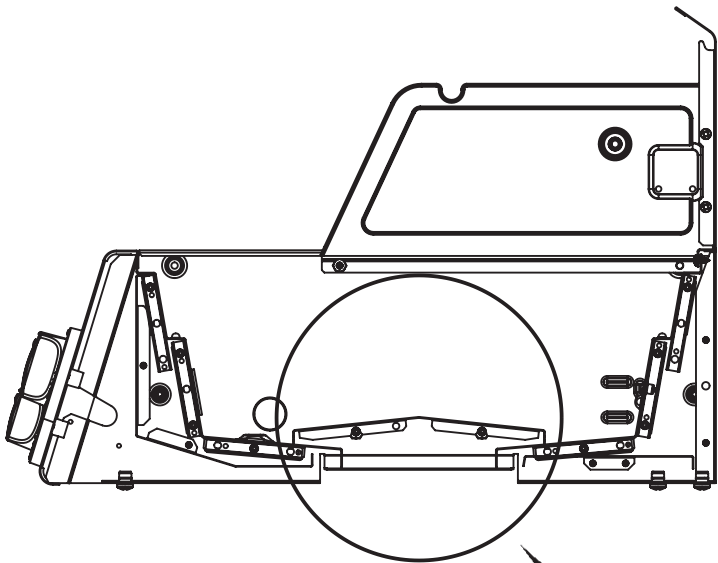
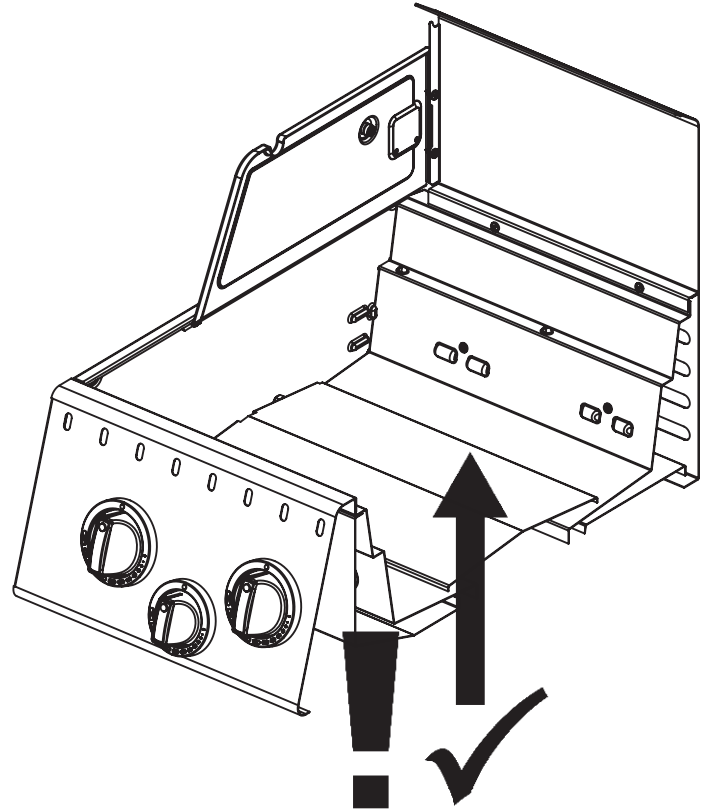
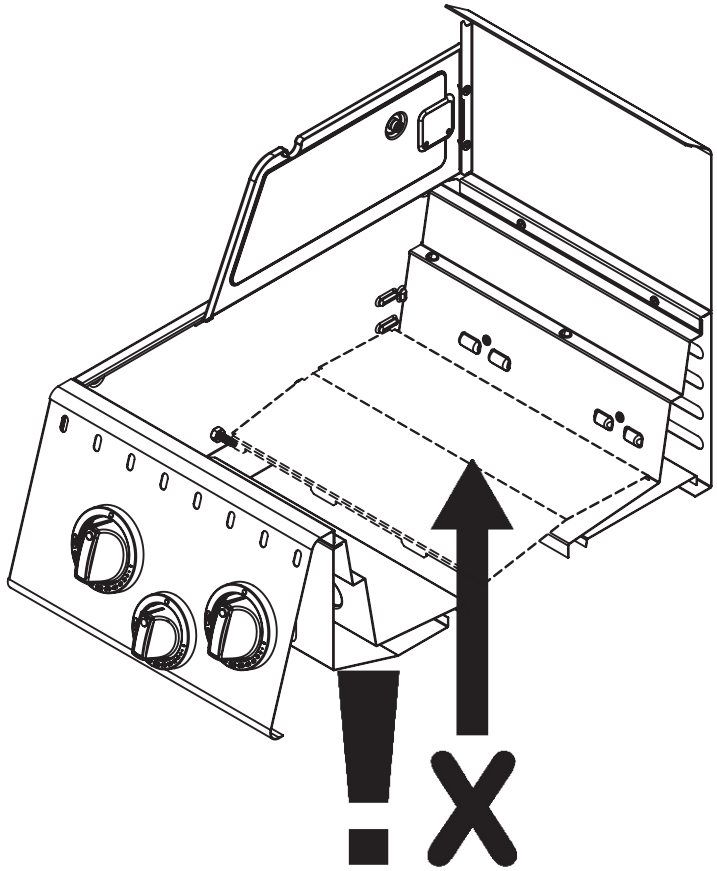


3

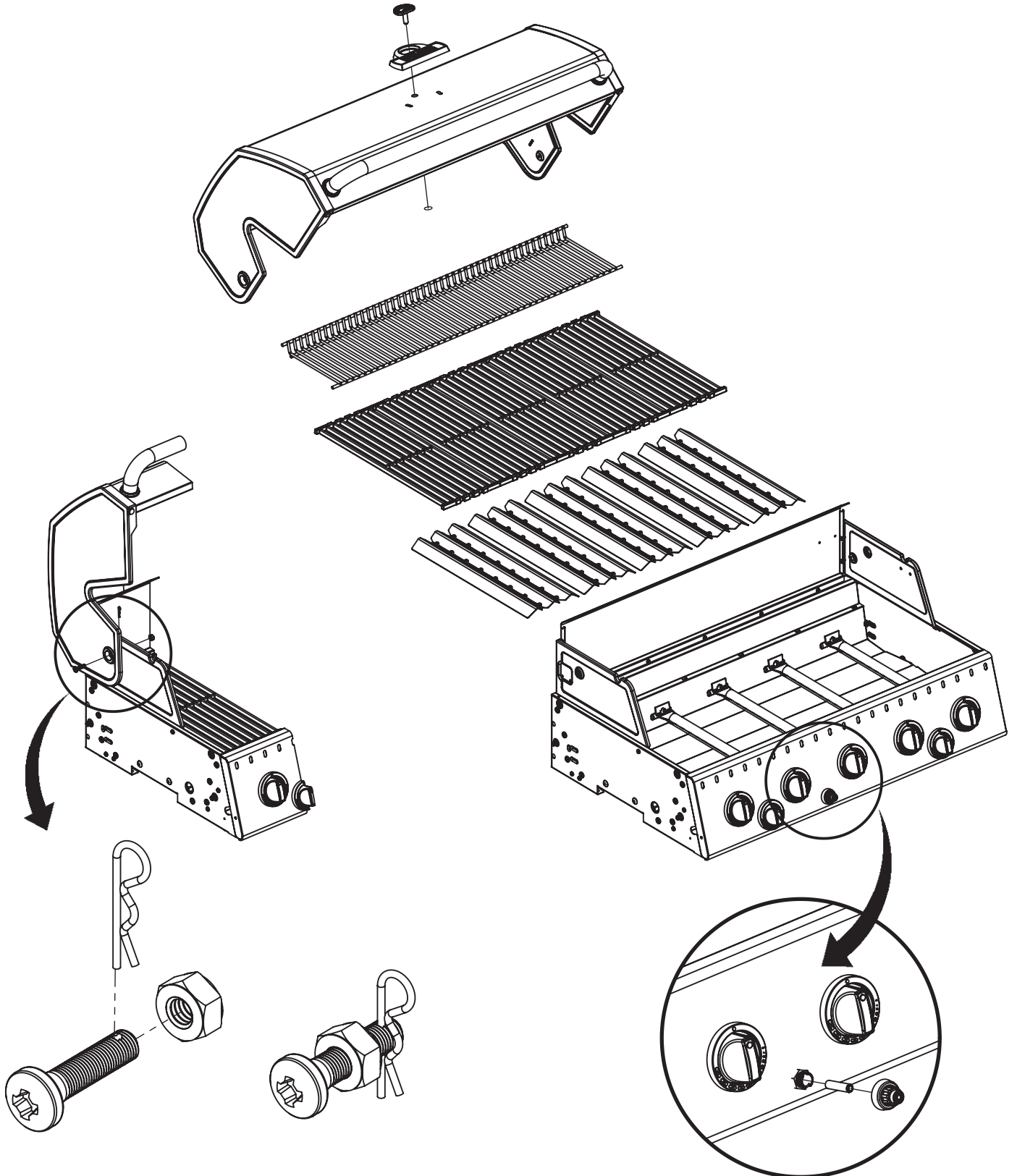
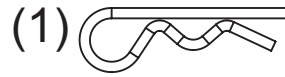
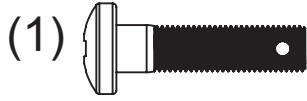


4

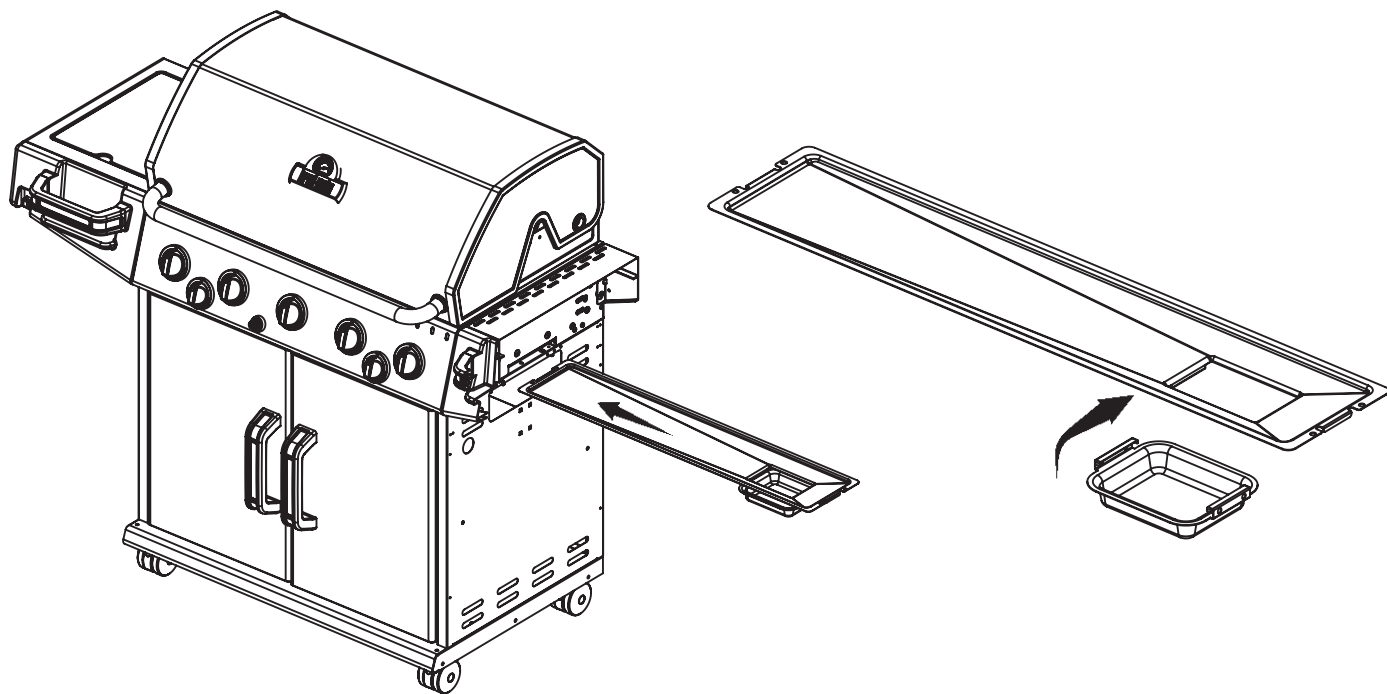




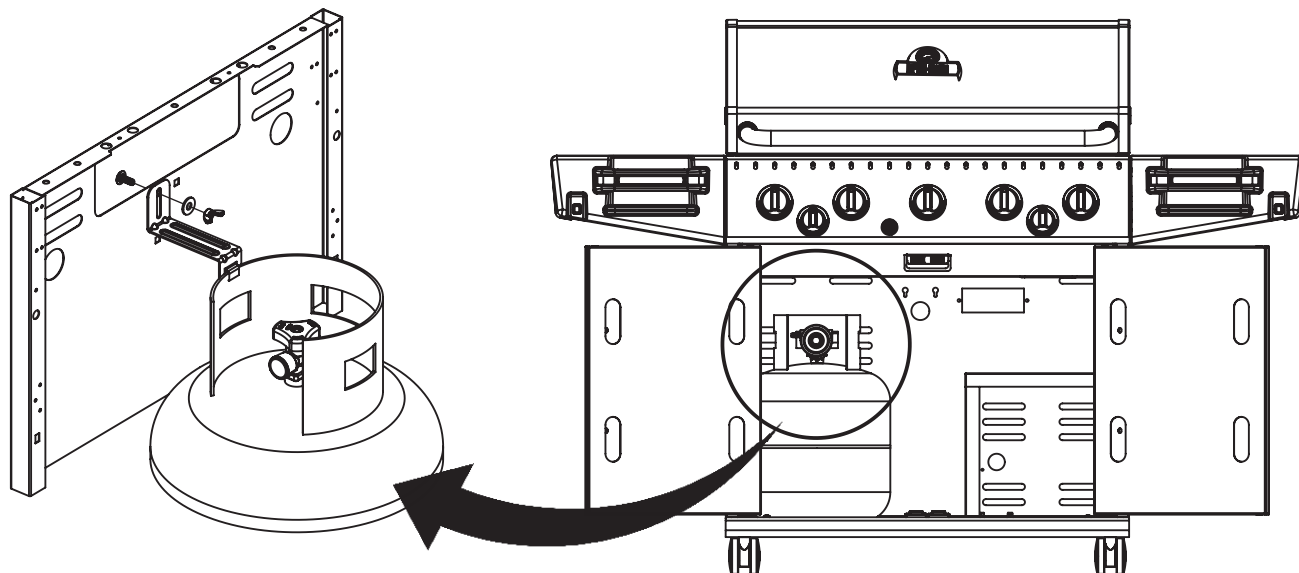
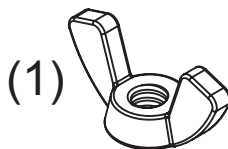
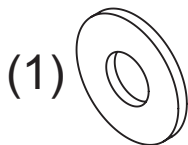
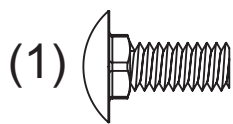
16



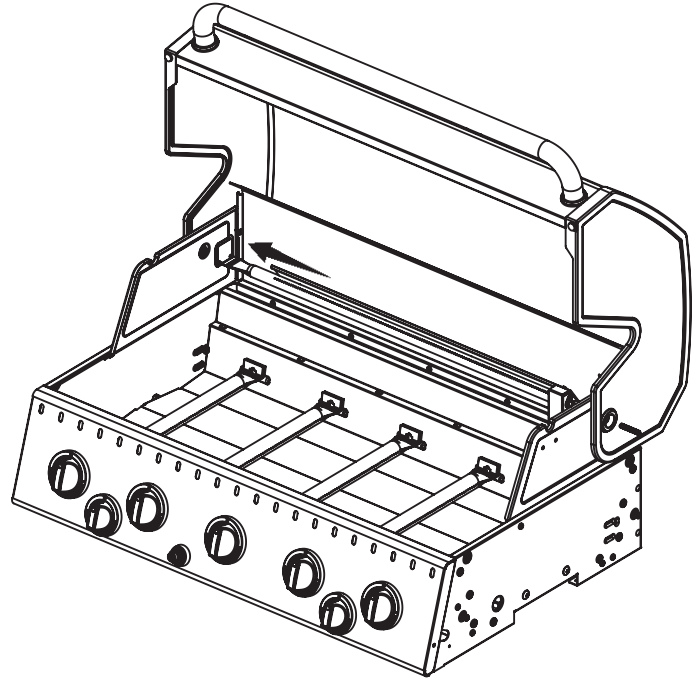
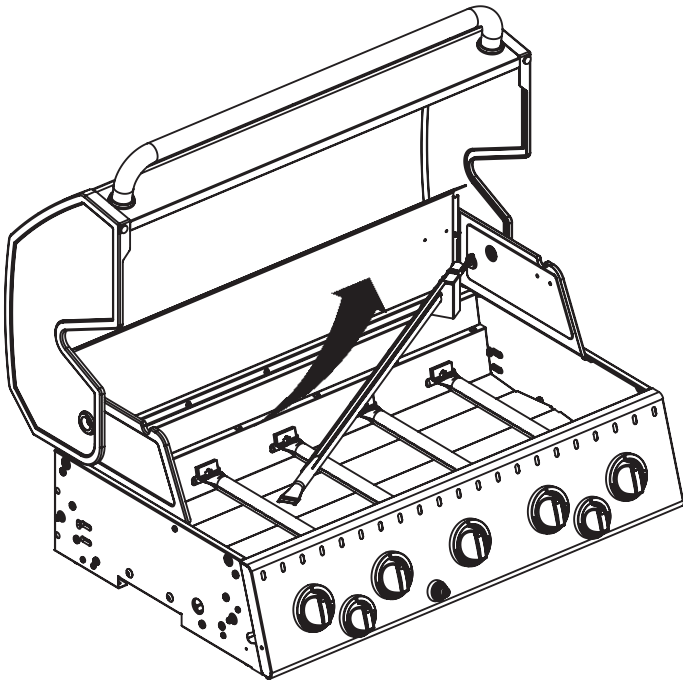
17



18



19



20

