

This Owner's Manual is provided and hosted by [Appliance Factory Parts](#).



CUISINART G41801 Owner's Manual

[Shop genuine replacement parts for CUISINART
G41801](#)



[Find Your CUISINART Grill Parts - Select From 152 Models](#)

----- Manual continues below -----

Cuisinart® ASSEMBLY MANUAL



Cuisinart® Gourmet 600

85-3054-2 (G41801) Propane
85-3055-0 (G41802) Natural Gas

READ AND SAVE MANUAL FOR FUTURE REFERENCE.

Assemble your grill immediately.

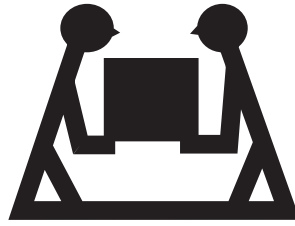
Missing or damaged parts should be claimed within 30 days of purchase.

For product inquiries, parts, warranty and troubleshooting support, please call 1-800-309-3452.

www.cuisinartbbqs.com

LIMITED 5-YEAR WARRANTY

Manual Revision #: 28112011 PD



HEAVY ARTICLE NEEDS 2 TO LIFT

THIS MANUAL MUST REMAIN WITH THE PRODUCT AT ALL TIMES

To ORDER non-warranty replacement parts or accessories,
or to register your warranty, please visit us on the web at
www.cuisinartbbqs.com

⚠ CAUTION

Sharp edges. Wear gloves when assembling your grill.

⚠ CAUTION

Read and follow all safety statements, assembly instructions, use and care directions before attempting to assemble and cook.

⚠ INSTALLER OR ASSEMBLER/CONSUMER

This manual should be kept with the BBQ at all times.

⚠ WARNING

Failure to follow all of the Manufacturer's instructions could result in hazardous fires, explosions, property damage, or serious personal injury or even death.

Follow all leak check procedures carefully prior to operation of barbecue, even if grill was dealer assembled. Do not try lighting this BBQ without reading the Lighting Instructions section of the Safety and Care Manual that accompanies this grill.

⚠ DANGER

1. If you smell Gas:
 - a. Shut off gas to the appliance
 - b. Extinguish any open flame
 - c. Open lid
 - d. If odor continues, keep away from the appliance and immediately call your gas supplier or your fire department
2. Do not store or use gasoline or other flammable liquids or vapours in the vicinity of this or any other appliance.
3. An LP cylinder not connected for use shall not be stored in the vicinity of this or any other appliance.

⚠ DANGER

1. Do not store or use gasoline or other flammable liquids or vapours in the vicinity of this or any other appliance.
2. An LP cylinder not connected for use shall not be stored in the vicinity of this or any other appliance.

THIS BARBECUE IS FOR OUTDOOR USE ONLY

CUISINART® CUSTOMER CARE HOTLINE
1-800-309-3452

PARTS LIST (PROPANE) FOR 85-3054-2 (G41801)

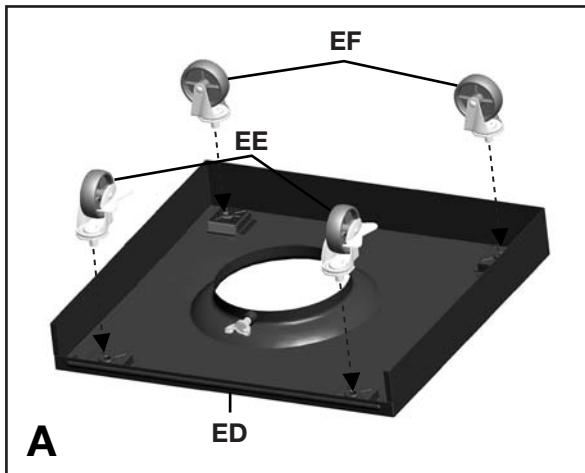
Item No.	Qty.	Description	Part No.	Item No.	Qty.	Description	Part No.
AA	1	Top Lid	G418-2000-01	DA	1	Side Shelf Table, Left	G525-0700-01
AB	1	Lid Handle	G412-0035-01	DB	1	Side Shelf Fascia, Left	G418-0600-01
AC	1	Thermometer	G512-0085-01	DC	2	Towel Bar	G525-0029-01
AD	2	Screw for Top Lid	G501-0005-02	DD	1	Electronic Ignition Button	G525-0028-01
AE	2	Lid Bumper, Front	G508-0063-01	DE	1	Side Shelf Table, Right	G418-0900-01
AF	2	Lid Bumper, Back	G501-0066-01	DF	1	Side Shelf Fascia, Right	G418-1000-01
AG	1	Logo Plate	G418-0002-01				
				EA	1	Left Cart Side Panel	G525-0018-01
BA	1	Burner Box Assembly	G418-4000-01	EB	1	Right Cart Side Panel	G525-0019-01
BB1	2	Main Burner - A	G413-5000-01	EC	1	Front Panel	G418-0010-01
BB2	1	Main Burner - B	G412-3800-01	ED	1	Bottom Shelf, LP	G418-0500-01
BC	2	Carryover Assembly	G413-0004-01	EE	2	Locking Wheel	G350-0023-01
BD	3	Flame Tamer	G413-0036-01	EF	2	Wheel	G350-0024-01
BE	2	Cooking Grate	G412-0028-01				
BF	1	Warming Rack	G413-0002-01	F1	1	Hardware Pack	G418-B001-01
BG	1	Upper Back Panel	G418-0011-01	F2	1	Assembly Manual	G418-M001-01
BH	1	Match holder	G608-0019-01	F3	1	Safe Use and Care Manual	G418-M001-02
				F4	1	Tank Screw	G505-0047-01
CA	1	Manifold Assembly, LP	G418-6000-01				
CB	1	Regulator	G606-0008-01				
CC	3	Control Knob	G525-0013-01				
CD1	1	Electronic Ignition Assembly	G522-00A5-02				
CD2	1	Electronic Ignition Battery Cap	G515-0030-01				
CE	3	Electrode Set, Main Burner	G418-0007-01				
CF	1	Control Panel	G418-0005-01				
CG	1	Heat Shield	G418-0008-01				
CH	1	Grease Tray	G418-0700-01				
CI	1	Grease Cup	G416-0015-01				
CJ	3	Bezel, Control Knob	G525-0012-01				
CK	1	Front Brace	G418-0009-01				

PARTS LIST (NATURAL GAS) FOR 85-3055-0 (G41802)

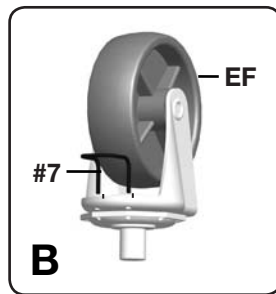
Item No.	Qty.	Description	Part No.	Item No.	Qty.	Description	Part No.
AA	1	Top Lid	G418-2000-01	DA	1	Side Shelf Table, Left	G525-0700-01
AB	1	Lid Handle	G412-0035-01	DB	1	Side Shelf Fascia, Left	G418-0600-01
AC	1	Thermometer	G512-0085-01	DC	2	Towel Bar	G525-0029-01
AD	2	Screw for Top Lid	G501-0005-02	DD	1	Electronic Ignition Button	G525-0028-01
AE	2	Lid Bumper, Front	G508-0063-01	DE	1	Side Shelf Table, Right	G418-0900-01
AF	2	Lid Bumper, Back	G501-0066-01	DF	1	Side Shelf Fascia, Right	G418-1000-01
AG	1	Logo Plate	G418-0002-01				
				EA	1	Left Cart Side Panel	G525-0018-01
BA	1	Burner Box Assembly	G418-4000-01	EB	1	Right Cart Side Panel	G525-0019-01
BB1	2	Main Burner - A	G413-5000-01	EC	1	Front Panel	G418-0010-01
BB2	1	Main Burner - B	G412-3800-01	ED	1	Bottom Shelf, NG	G418-0800-01
BC	2	Carryover Assembly	G413-0004-01	EE	2	Locking Wheel	G350-0023-01
BD	3	Flame Tamer	G413-0036-01	EF	2	Wheel	G350-0024-01
BE	2	Cooking Grate	G412-0028-01				
BF	1	Warming Rack	G413-0002-01	F1	1	Hardware Pack	G418-B001-01
BG	1	Upper Back Panel	G418-0011-01	F2	1	Assembly Manual	G418-M001-01
BH	1	Match holder	G608-0019-01	F3	1	Safe Use and Care Manual	G418-M001-02
CA	1	Manifold assembly, NG	G418-2200-01				
CB	1	Natural gas Hose	G501-0099-01				
CC	3	Control Knob	G525-0013-01				
CD1	1	Electronic Ignition Assembly	G522-00A5-02				
CD2	1	Electronic Ignition Battery Cap	G515-0030-01				
CE	3	Electrode Set, Main Burner	G418-0007-01				
CF	1	Control Panel	G418-0005-01				
CG	1	Heat shield	G418-0008-01				
CH	1	Grease Tray	G418-0700-01				
CI	1	Grease Cup	G416-0015-01				
CJ	3	Bezel, Control Knob	G525-0012-01				
CK	1	Front Brace	G418-0009-01				

ASSEMBLY INSTRUCTIONS

1.



Back view



Close up

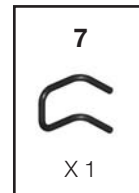
Separate the 2 different types of wheels: 2 Locking Wheels (EE) and 2 regular Wheels (EF).

Insert the U Pin (#7) into one of the regular Wheels (EF), as shown in image B. Attach the regular Wheel (EF) to the front of the Bottom Shelf (ED), and use the U Pin (#7) to secure and tighten.

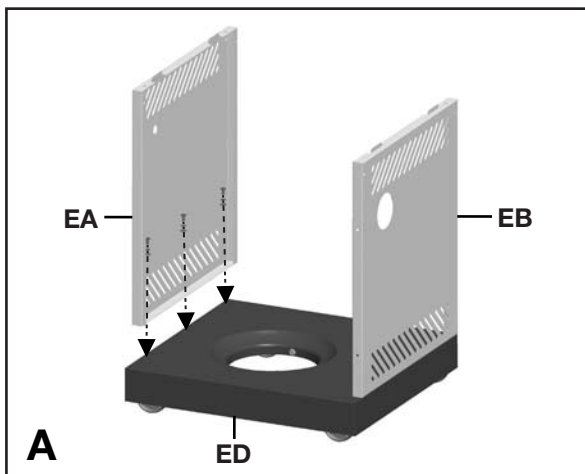
Repeat for remaining 3 wheels (EE & EF).

NOTE: Regular Wheels (EF) need to be assembled to the front of the Bottom Shelf (ED), and Wheels with Lock (EE) need to be assembled to the back of the Bottom Shelf (ED), as shown in image A.

YOU WILL NEED:



2.

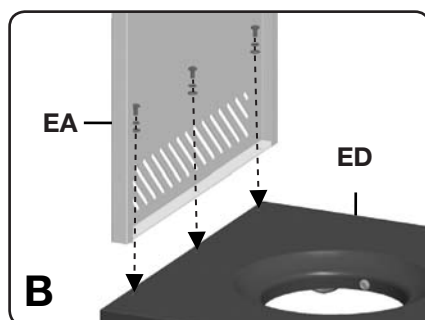
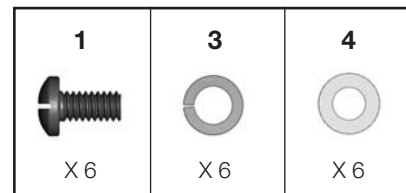


Front view

Ensure that the Wheels are firmly locked in the "ON" position before continuing.

Assemble the Left Cart Side Panel (EA) and the Right Cart Side Panel (EB) to the Bottom Shelf (ED).

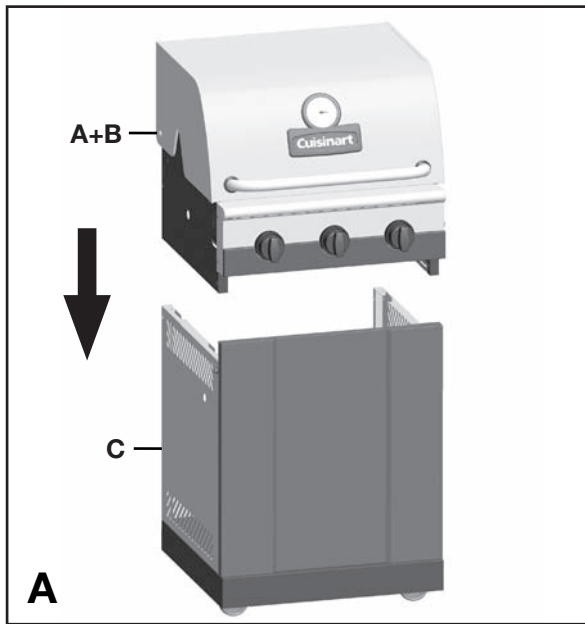
YOU WILL NEED:



Close up

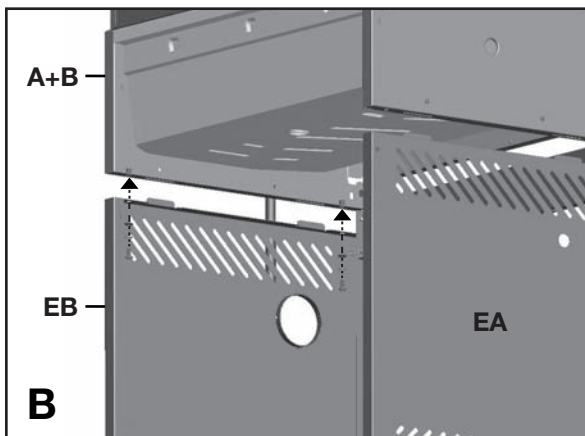
ASSEMBLY INSTRUCTIONS

5.



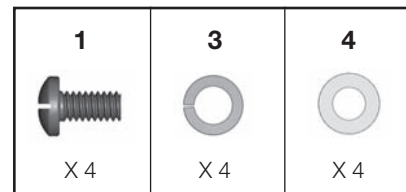
THIS STEP REQUIRES 3 OR MORE PEOPLE. DO NOT ATTEMPT ALONE. EXTREMELY HEAVY.

- a. Position the Top Lid and Burner Box Assembly (A and B) onto the Cart Assembly (C), as shown.



- b. Assemble Burner Box Assembly (A and B) the Left and Right Cart Side Panels (EA and EB), as shown.

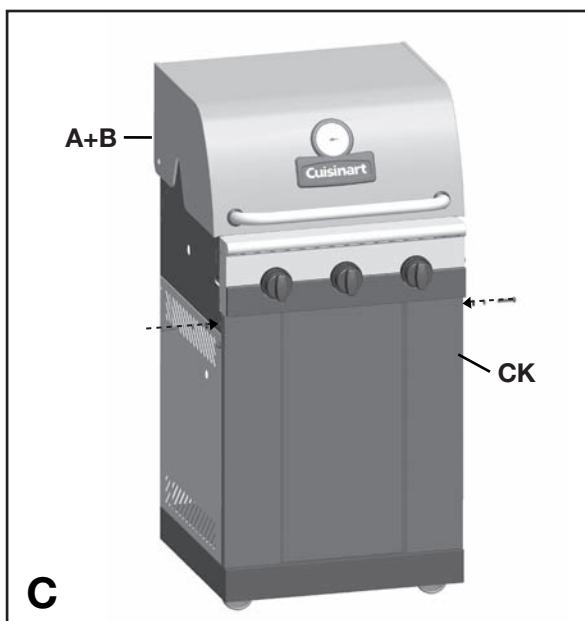
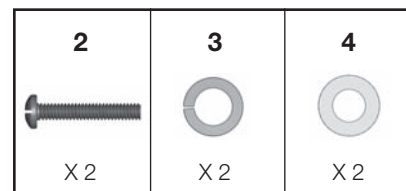
YOU WILL NEED:



Back view, right side assembly

- c. Assemble the front of the Burner Box Assembly (A and B) to the Front Brace (CK), as shown.

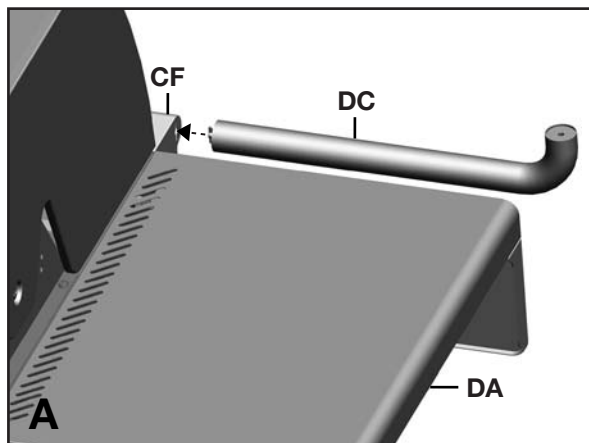
YOU WILL NEED:



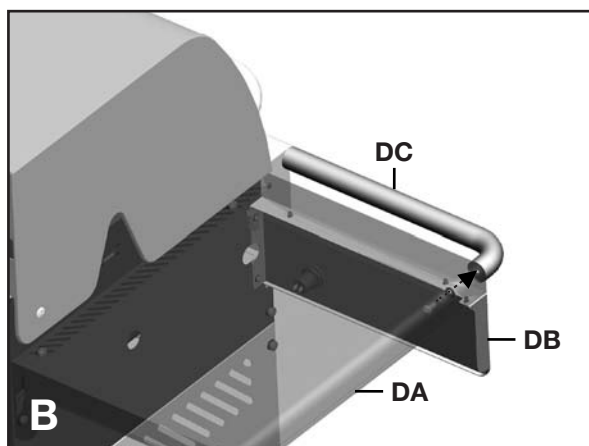
TIP: One person should align the Front Brace (CK) from inside the cart, while the other person completes the hardware assembly from the outside.

ASSEMBLY INSTRUCTIONS




7.

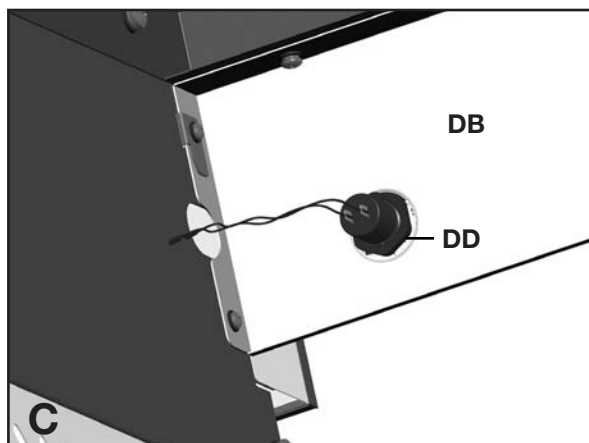


a. Assemble the Towel Bar (DC) to the Control Panel (CF) and Left Side Shelf Table (DA), as shown in figure A & B.



YOU WILL NEED:

1  X 1	3  X 1	4  X 1
---	--	--

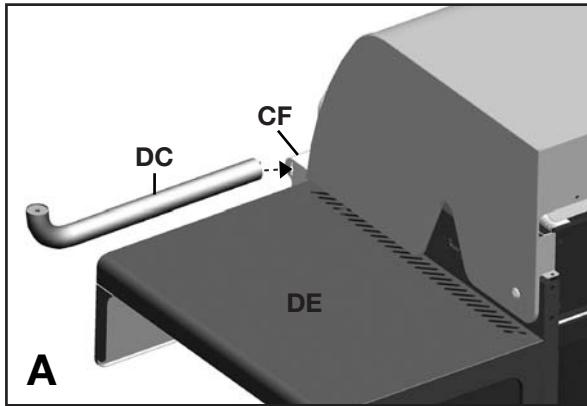


b. Attach the two Ignition Button wires to the Electronic Ignition Button (DD), as shown in figure C.

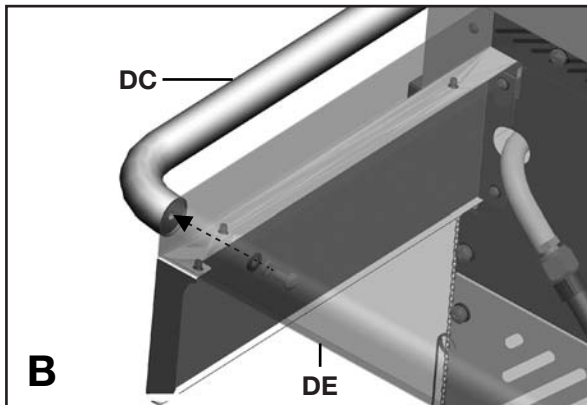
View under left side shelf

ASSEMBLY INSTRUCTIONS

9.






Right side view



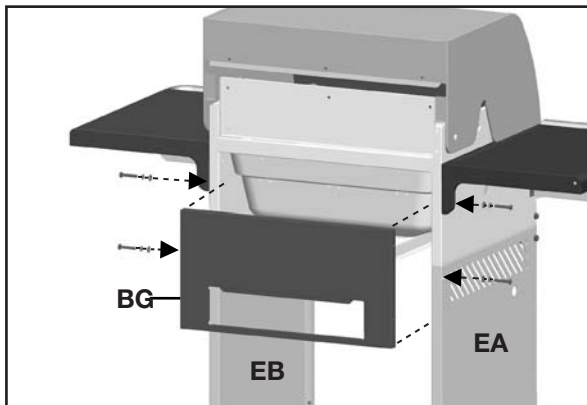
Right side view

Assemble the Towel Bar (DC) to the Control Panel (CF) and Right Side Shelf Table (DE), as shown in figure A and B.

YOU WILL NEED:

1	3	4
		
X 1	X 1	X 1




10.

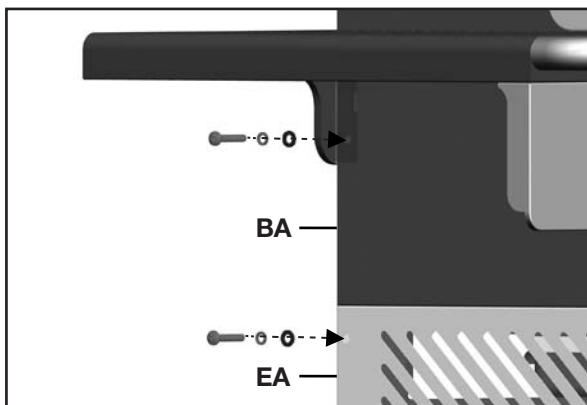


Back View

Attach the Upper Back Panel (BG) to both the Left and Right Cart Side Panels (EA and EB).

YOU WILL NEED:

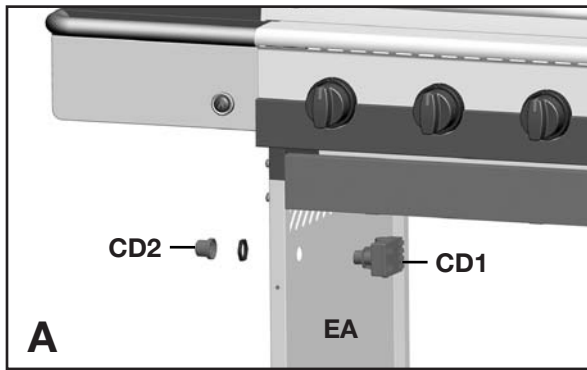
2	3	4
		
X 4	X 4	X 4



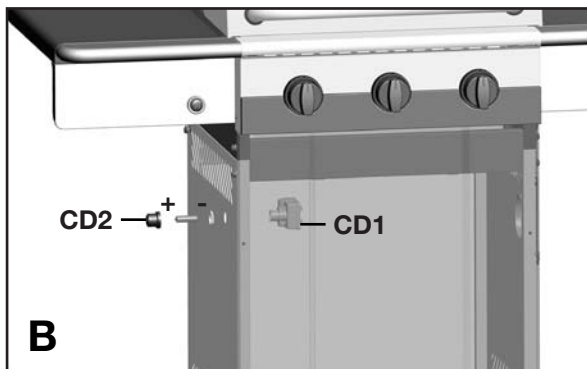
Close up, left side view

ASSEMBLY INSTRUCTIONS

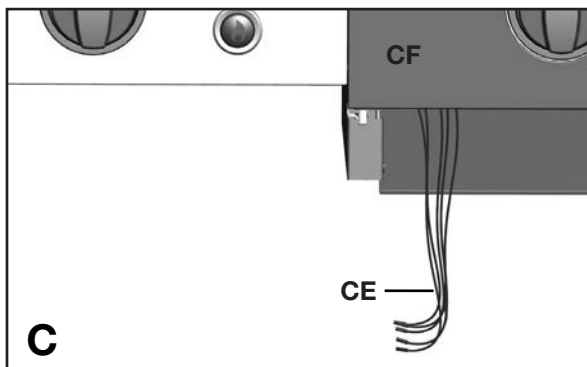
12.



a. Remove the Electronic Ignition Battery Cap (CD2) and the plastic nut from the Electronic Ignition Box (CD1).

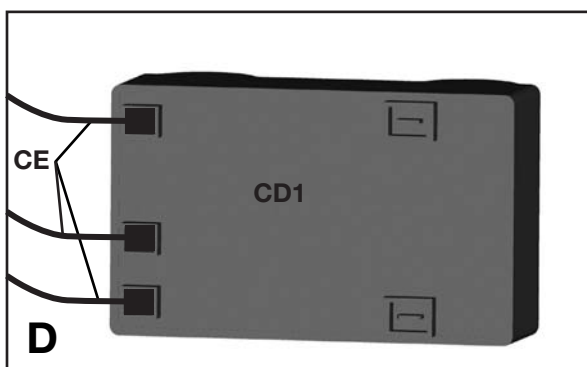


b. Feed the Electronic Ignition Assembly (CD1) through the opening in the Left Cart Side Panel (EA) and secure using the nut.

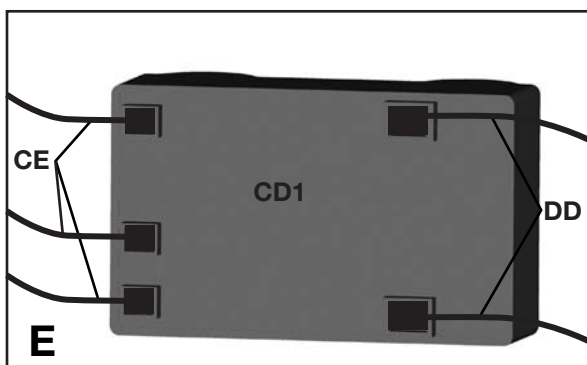


c. Insert one "AA" battery into the battery compartment with the positive end facing outward, as shown. Secure using the Electronic Ignition Battery Cap (CD2).

TIP: The Electrode Set, Main Burner (CE) wires can be found attached to the Control Panel heat shield (CF), as shown.



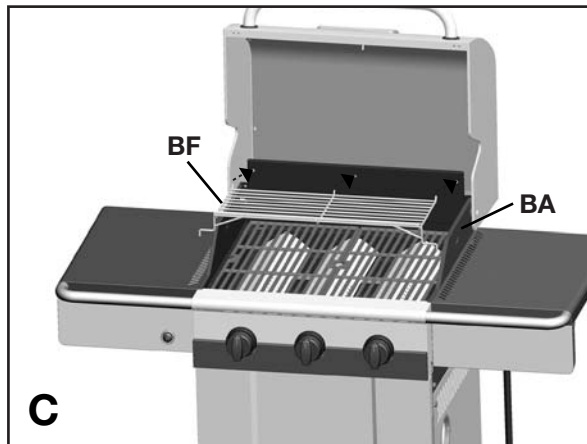
d. Insert the three Electrode Set, Main Burner (CE) wires into the Electronic Ignition Assembly (CD1), as shown in figure D.



e. Insert the two Electronic Ignition Button (DD) wires into the Electronic Ignition Assembly (CD1), as shown in figure E.

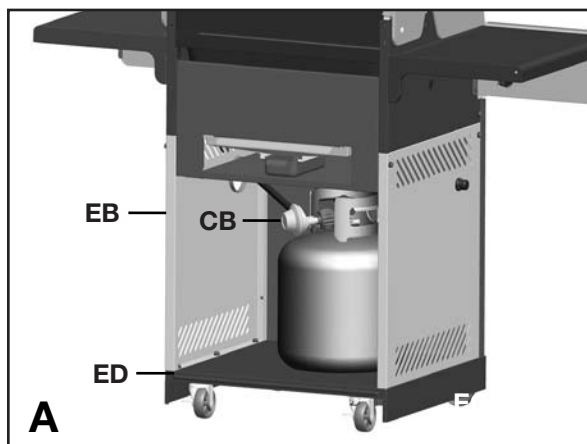
ASSEMBLY INSTRUCTIONS

14.



- c. Place Warming Rack (BF) onto Burner Box (BA) by inserting the three positioning rods into the rear panel of the Burner Box (BA), as shown.

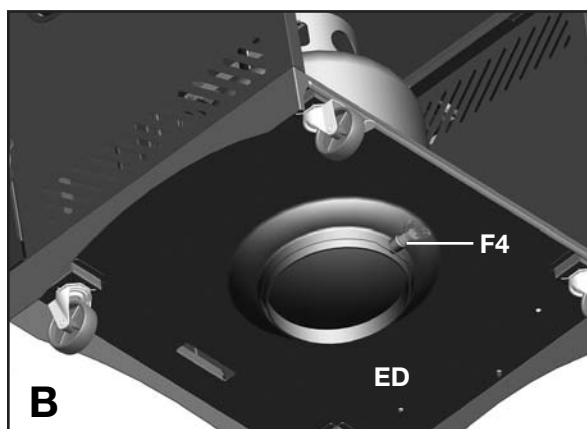
15.



FOR PROPANE MODELS ONLY.

For natural gas models, follow step 16.

- a. Position the Regulator hose (CB) through the hole in the Right Cart Side Panel (EB).
- b. Position the 20 lb propane tank onto the bottom shelf (ED), and secure using the bolt (F4) (already attached) located on the underside of the bottom shelf, as shown in figure B.
- c. Attach the Regulator coupling nut (CB) to the LP cylinder valve. Be careful not to cross thread. Hand tighten only.
- d. Perform leak test. See page 4 of the Cuisinart® Safety & Care Manual.



▲ ATTENTION: For your families safety, do not attempt to light this BBQ until you have reviewed pages 4-8 of the Cuisinart® Safety and Care Manual. **All Safety and Leak test MUST BE PERFORMED BY THE END USER, prior to lighting this BBQ.**

▲ WARNING Do not store extra propane tanks within BBQ cart.

Cuisinart®

Visit www.cuisinartbbqs.com
to complete product registration.