

This Owner's Manual is provided and hosted by [Appliance Factory Parts](#).



# CUISINART G41804 Owner's Manual

[Shop genuine replacement parts for CUISINART  
G41804](#)



[Find Your CUISINART Grill Parts - Select From 152 Models](#)

----- Manual continues below -----

# Cuisinart® ASSEMBLY MANUAL



**Cuisinart® Gourmet 600S**

85-3078-6 (G41803) Propane  
85-3079-4 (G41804) Natural Gas

**READ AND SAVE MANUAL FOR FUTURE REFERENCE.**

**Assemble your grill immediately.**

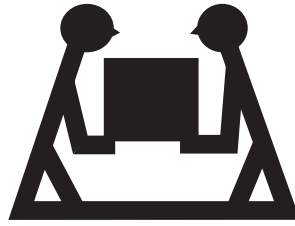
**Missing or damaged parts should be claimed within 30 days of purchase.**

**For product inquiries, parts, warranty and troubleshooting support, please call 1-800-309-3452.**

**[www.cuisinartbbqs.com](http://www.cuisinartbbqs.com)**

**LIMITED 5-YEAR WARRANTY**

Manual Revision #: 28112012 PD



## HEAVY ARTICLE NEEDS 2 TO LIFT

**THIS MANUAL MUST REMAIN WITH THE PRODUCT AT ALL TIMES**

To ORDER non-warranty replacement parts or accessories,  
or to register your warranty, please visit us on the web at  
[www.cuisinartbbqs.com](http://www.cuisinartbbqs.com)

### ⚠ CAUTION

Sharp edges. Wear gloves when assembling your grill.

### ⚠ CAUTION

Read and follow all safety statements, assembly instructions, use and care directions before attempting to assemble and cook.

### ⚠ INSTALLER OR ASSEMBLER/CONSUMER

This manual should be kept with the BBQ at all times.

### ⚠ WARNING

Failure to follow all of the Manufacturer's instructions could result in hazardous fires, explosions, property damage, or serious personal injury or even death.

Follow all leak check procedures carefully prior to operation of barbecue, even if grill was dealer assembled. Do not try lighting this BBQ without reading the Lighting Instructions section of the Safety and Care Manual that accompanies this grill.

### ⚠ DANGER

1. If you smell Gas:
  - a. Shut off gas to the appliance
  - b. Extinguish any open flame
  - c. Open lid
  - d. If odor continues, keep away from the appliance and immediately call your gas supplier or your fire department
2. Do not store or use gasoline or other flammable liquids or vapours in the vicinity of this or any other appliance.
3. An LP cylinder not connected for use shall not be stored in the vicinity of this or any other appliance.

### ⚠ DANGER

1. Do not store or use gasoline or other flammable liquids or vapours in the vicinity of this or any other appliance.
2. An LP cylinder not connected for use shall not be stored in the vicinity of this or any other appliance.

**THIS BARBECUE IS FOR OUTDOOR USE ONLY**

CUISINART® CUSTOMER CARE HOTLINE  
1-800-309-3452

# PARTS LIST (PROPANE) FOR 85-3078-6 (G41803)

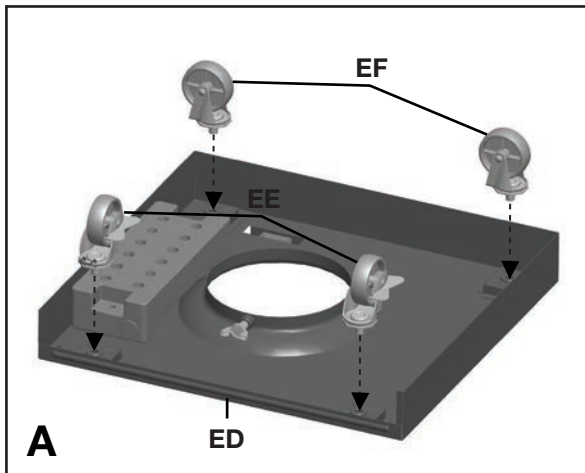
Item No.	Qty.	Description	Part No.	Item No.	Qty.	Description	Part No.
AA	1	Top Lid	G418-2000-01	DA	1	Side Shelf Table, Left	G525-0700-01
AB	1	Lid Handle	G412-0035-02	DB	1	Side Shelf Fascia, Left	G418-0600-01
AC	1	Thermometer	G512-0085-01	DC	2	Towel Bar	G525-0029-01
AD	2	Screw for Top Lid	G501-0005-02	DD	1	Multi Spark™ Ignition Button	G525-0028-01
AE	2	Lid Bumper, Front	G508-0063-01	DE	1	Side Shelf Table, Right	G525-0600-01
AF	2	Lid Bumper, Back	G501-0066-01	DF	1	Side Shelf Fascia, Right	G525-1000-01
AG	1	Logo Plate	G418-0002-01	DG	1	Side Burner Drip Pan	G515-0083-01
BA	1	Burner Box Assembly	G418-4000-01	DH	1	Side Burner	G453-3400-01
BB1	2	Main Burner - A	G413-5000-01	DI	1	Electrode Set, Side Burner	G515-0039-01
BB2	1	Main Burner - B	G412-3800-01	DJ	1	Lid, Side Burner	G501-0070-01
BC	2	Carryover Assembly	G413-0004-01	DK	1	Cooking Grate, Side Burner	G501-0077-01
BD	3	Flame Tamer	G413-0036-01	EA	1	Left Cart Side Panel	G525-0018-01
BE	2	Cooking Grate	G412-0028-01	EB	1	Right Cart Side Panel	G525-0019-01
BF	1	Warming Rack	G413-0002-01	EC	1	Door Assembly	G418-3100-01
BG	1	Upper Back Panel	G418-0022-01	ED	1	Bottom Shelf, LP	G418-2800-01
BH	1	Match holder	G501-0068-01	EE	2	Wheel with Lock	G350-0023-01
BI	1	Lower Back Panel	G418-0023-01	EF	2	Wheel	G350-0024-01
CA	1	Manifold assembly, LP	G418-2700-01	EG	1	Door Handle	G418-0021-01
CB	1	Regulator	G606-0008-01	EH	1	Door Magnet Assembly	G527-0037-01
CC	3	Control Knob	G525-0013-01	F1	1	Hardware Pack	G418-B003-01
CD1	1	Electronic Ignition Assembly	G511-0055-02	F2	1	Assembly Manual	G418-M003-01
CD2	1	Electronic Ignition Battery Cap	G515-0030-01	F3	1	Safe Use and Care Manual	G418-M003-02
CE	3	Electrode Set, Main Burner	G418-0007-01	F4	1	Tank Screw	G505-0047-01
CF	1	Control Panel	G418-0005-01	F5	1	Bottom Shelf Weight	G412-0030-01
CG	1	Heat shield	G418-0024-01				
CH	1	Grease Tray	G418-0700-01				
CI	1	Grease Cup	G416-0015-01				
CJ	3	Bezel, Control Knob	G525-0012-01				
CK	1	Front Brace	G418-2900-01				
CL	1	Side Burner Valve, LP	G525-0008-01				
CM	1	Metal Hose, Side Burner	G508-0024-01				

# PARTS LIST (NATURAL GAS) FOR 85-3079-4 (G41804)

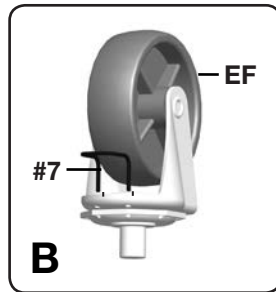
Item No.	Qty.	Description	Part No.	Item No.	Qty.	Description	Part No.
AA	1	Top Lid	G418-2000-01	DA	1	Side Shelf Table, Left	G525-0700-01
AB	1	Lid Handle	G412-0035-02	DB	1	Side Shelf Fascia, Left	G418-0600-01
AC	1	Thermometer	G512-0085-01	DC	2	Towel Bar	G525-0029-01
AD	2	Screw for Top Lid	G501-0005-02	DD	1	Multi Spark™ Ignition Button	G525-0028-01
AE	2	Lid Bumper, Front	G508-0063-01	DE	1	Side Shelf Table, Right	G525-0600-01
AF	2	Lid Bumper, Back	G501-0066-01	DF	1	Side Shelf Fascia, Right	G525-1000-01
AG	1	Logo Plate	G418-0002-01	DG	1	Side Burner Drip Pan	G515-0083-01
BA	1	Burner Box Assembly	G418-4000-01	DH	1	Side Burner	G453-3400-01
BB1	2	Main Burner - A	G413-5000-01	DI	1	Electrode Set, Side Burner	G515-0039-01
BB2	1	Main Burner - B	G412-3800-01	DJ	1	Lid, Side Burner	G501-0070-01
BC	2	Carryover Assembly	G413-0004-01	DK	1	Cooking Grate, Side Burner	G501-0077-01
BD	3	Flame Tamer	G413-0036-01	EA	1	Left Cart Side Panel	G525-0018-01
BE	2	Cooking Grate	G412-0028-01	EB	1	Right Cart Side Panel	G525-0019-01
BF	1	Warming Rack	G413-0002-01	EC	1	Door Assembly	G418-3100-01
BG	1	Upper Back Panel	G418-0022-01	ED	1	Bottom Shelf, NG	G418-4300-01
BH	1	Match holder	G501-0068-01	EE	2	Wheel with Lock	G350-0023-01
BI	1	Lower Back Panel	G418-0023-01	EF	2	Wheel	G350-0024-01
CA	1	Manifold assembly, NG	G418-4200-01	EG	1	Door Handle	G418-0021-01
CB	1	Natural gas Hose	G501-0099-01	EH	1	Door Magnet Assembly	G527-0037-01
CC	3	Control Knob	G525-0013-01	F1	1	Hardware Pack	G418-B003-01
CD1	1	Electronic Ignition Assembly	G511-0055-02	F2	1	Assembly Manual	G418-M003-01
CD2	1	Electronic Ignition Battery Cap	G515-0030-01	F3	1	Safe Use and Care Manual	G418-M003-02
CE	3	Electrode Set, Main Burner	G418-0007-01	F5	1	Bottom Shelf Weight	G412-0030-01
CF	1	Control Panel	G418-0005-01				
CG	1	Heat shield	G418-0024-01				
CH	1	Grease Tray	G418-0700-01				
CI	1	Grease Cup	G416-0015-01				
CJ	3	Bezel, Control Knob	G525-0012-01				
CK	1	Front Brace	G418-2900-01				
CL	1	Side Burner Valve, NG	G525-0035-01				
CM	1	Metal Hose, Side Burner	G508-0024-01				

# ASSEMBLY INSTRUCTIONS

## 1.



Back view



Close up

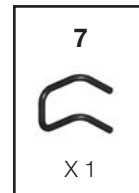
Separate the 2 different types of wheels: 2 Locking Wheels (EE) and 2 regular Wheels (EF).

Insert the U Pin (#7) into one of the regular Wheels (EF), as shown in image B. Attach the regular Wheel (EF) to the front of the Bottom Shelf (ED), and use the U Pin (#7) to secure and tighten.

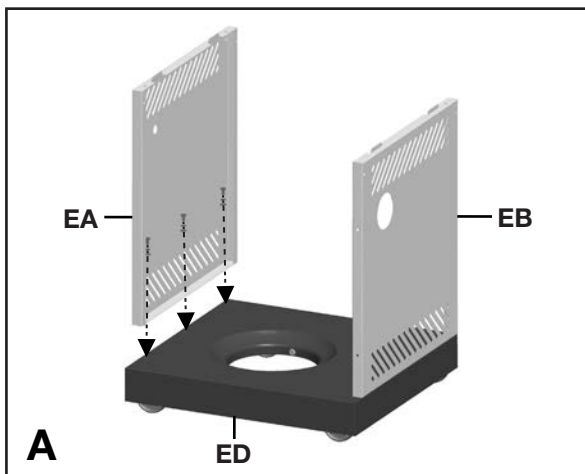
Repeat for remaining 3 wheels (EE & EF).

**NOTE:** Regular Wheels (EF) need to be assembled to the front of the Bottom Shelf (ED), and Wheels with Lock (EE) need to be assembled to the back of the Bottom Shelf (ED), as shown in image A.

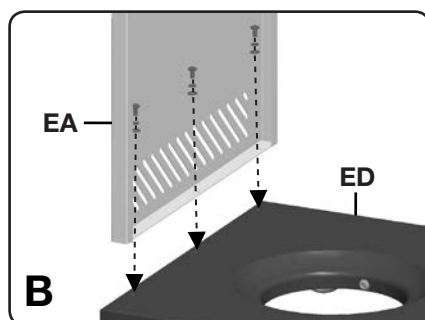
**YOU WILL NEED:**



## 2.



Front view

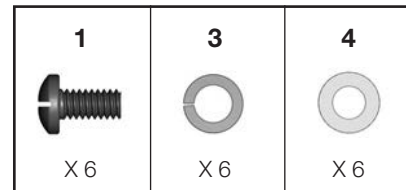


Close up

a. Ensure that the Wheels are firmly locked in the "ON" position before continuing.

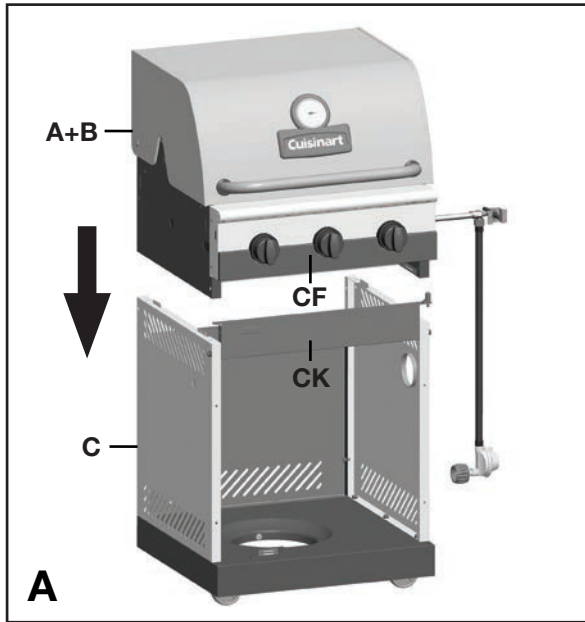
b. Assemble the Left Cart Side Panel (EA) and the Right Cart Side Panel (EB) to the Bottom Shelf (ED).

**YOU WILL NEED:**



# ASSEMBLY INSTRUCTIONS

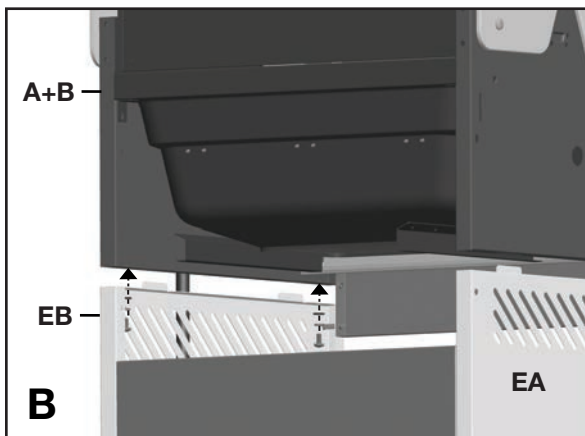
## 4.



**THIS STEP REQUIRES 3 OR MORE PEOPLE. DO NOT ATTEMPT ALONE. EXTREMELY HEAVY.**




a. Position the Top Lid and Burner Box Assembly (A and B) onto the Cart Assembly (C), as shown.

**TIP:** Ensure that the Front Brace (CK) is positioned under the Control Panel (CF).

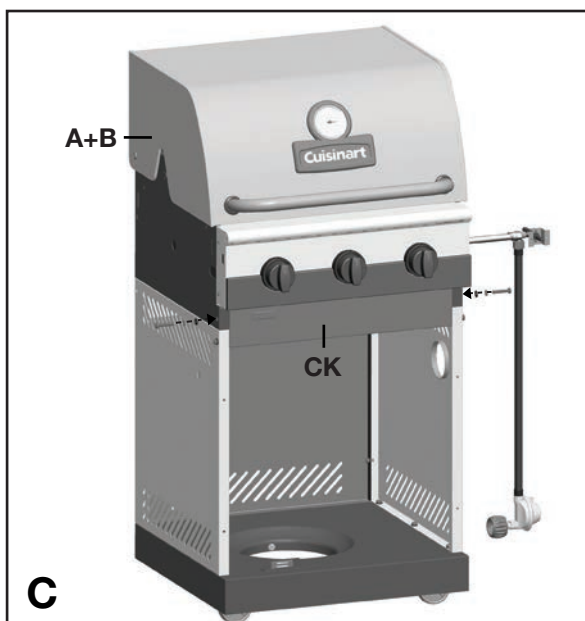


b. Assemble Burner Box Assembly (A and B) to the Left and Right Cart Side Panels (EA and EB), as shown.

**YOU WILL NEED:**




<b>1</b>	<b>3</b>	<b>4</b>
		
X 4	X 4	X 4

Back view



c. Assemble the front of the Burner Box Assembly (A and B) to the Front Brace (CK), as shown.

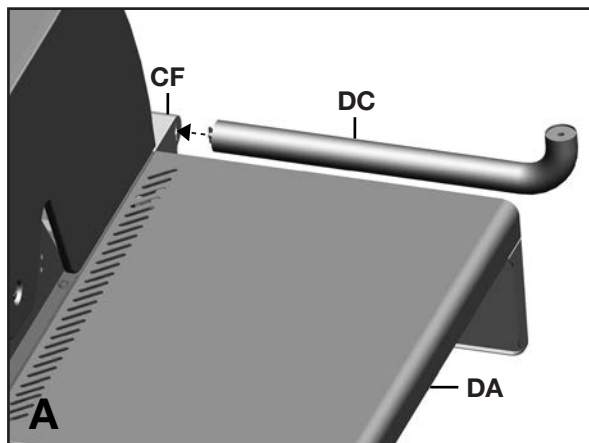
**YOU WILL NEED:**

<b>2</b>	<b>3</b>	<b>4</b>
		
X 2	X 2	X 2

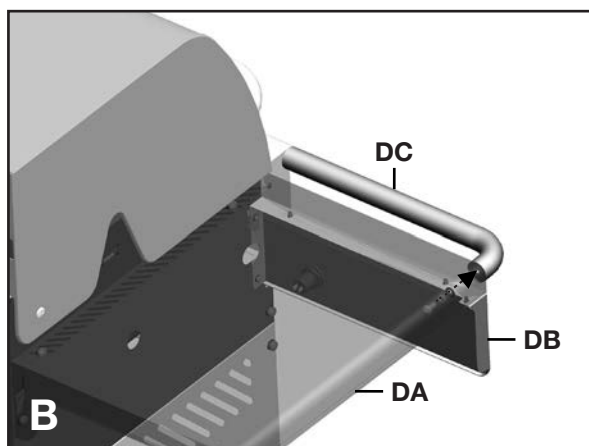
Front view

# ASSEMBLY INSTRUCTIONS




## 6.

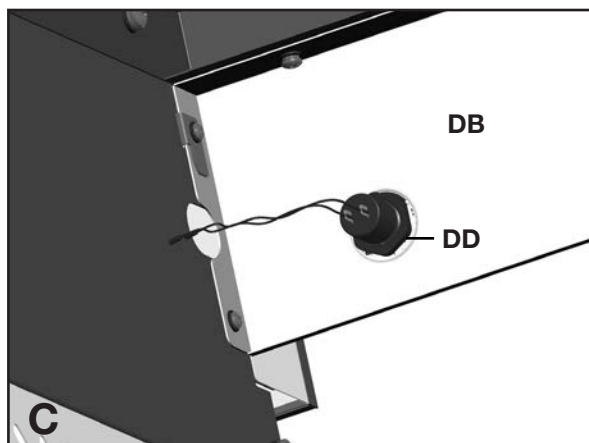


- a. Assemble the Towel Bar (DC) to the Control Panel (CF) and Left Side Shelf Table (DA), as shown in figure A & B.



### YOU WILL NEED:

<b>1</b>  X 1	<b>3</b>  X 1	<b>4</b>  X 1
---	--	--

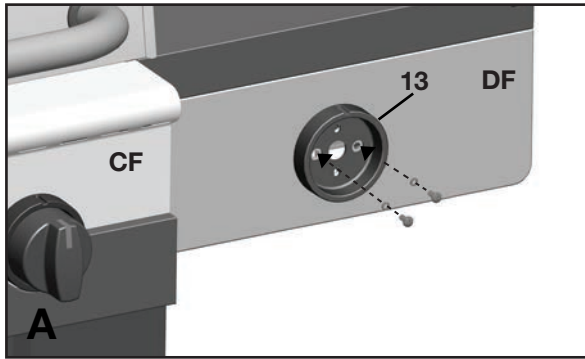


- b. Attach the two Ignition Button wires to the Multi Spark™ Ignition Button (DD), as shown in figure C.

View under left side shelf

# ASSEMBLY INSTRUCTIONS

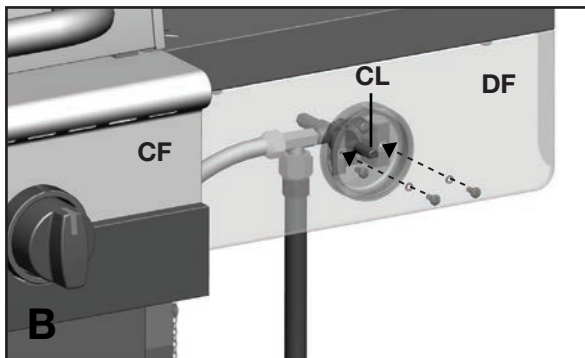
## 8.



a. Assemble the side burner control knob bezel (#13) to the right side shelf fascia (DF) as shown in figures A.

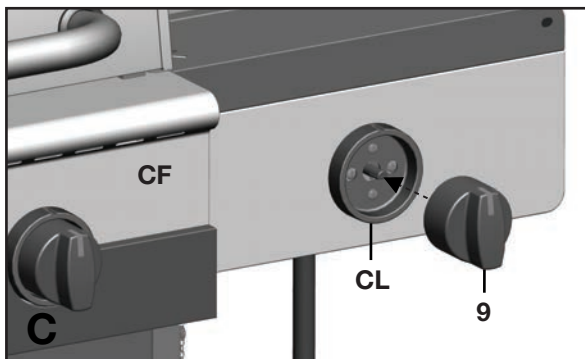
**YOU WILL NEED:**

<b>13</b>	<b>14</b>	<b>15</b>
X 1	X 2	X 2



b. Remove the hardware that is pre-assembled to the Side Burner Valve Bracket (CL), as shown in figure B.

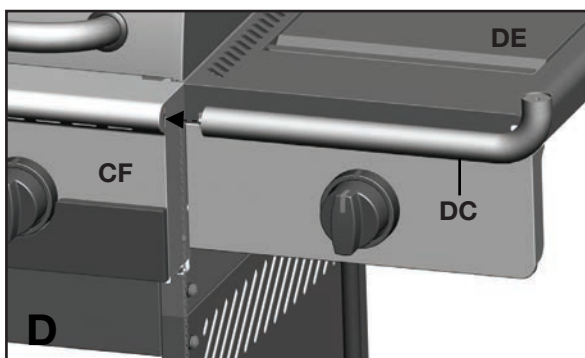
c. Insert the Side Burner Valve stem (CL) through the rear of the Right Side Shelf Fascia (DF). Assemble the Side Burner Valve (CL) to the Side Shelf Fascia (DF), using the hardware removed (figure B).



d. Assemble the Side Burner Control Knob (#9) to the Side Burner Valve (CL) as shown in figure C.

**YOU WILL NEED:**

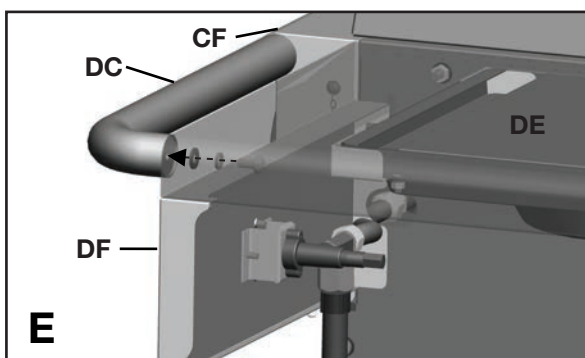
<b>9</b>
X 1



e. Assemble the Towel Bar (DC) to the Control Panel (CF) and Right Side Shelf (DE), as shown in figure D & E.

**YOU WILL NEED:**

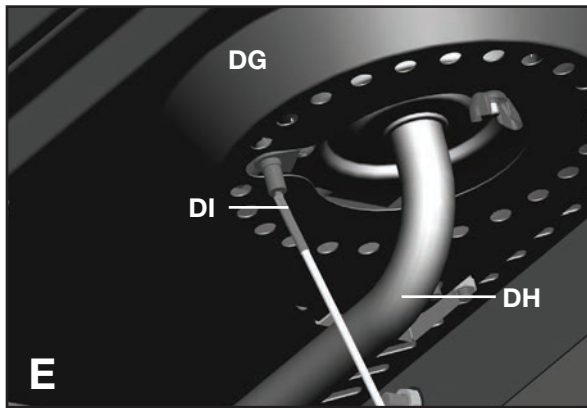
<b>1</b>	<b>3</b>	<b>4</b>
X 1	X 1	X 1



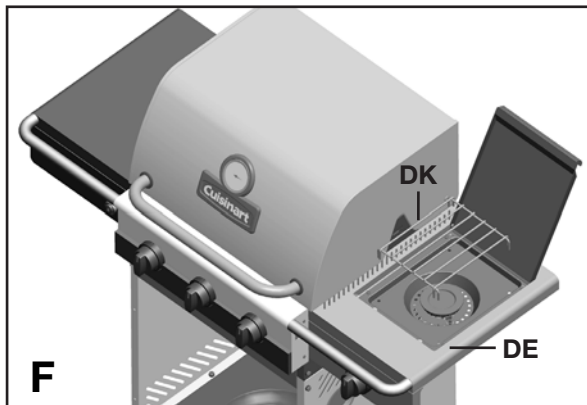
Right side view

# ASSEMBLY INSTRUCTIONS

## 9.

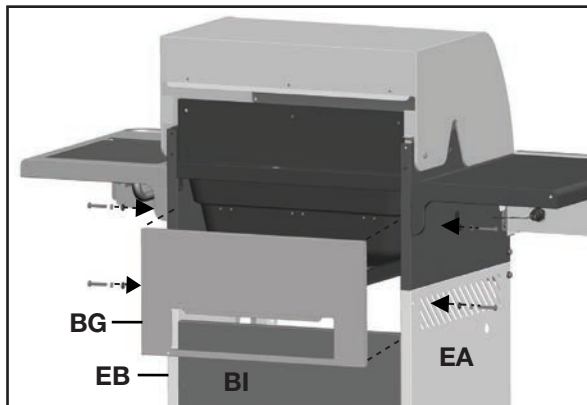


d. Attach the end of the Side Burner Electrode Wire (DI) to the underside of the Side Burner (DH), as shown in figure E. Ensure that the wire is pushed in firmly.





e. Place the Side Burner Cooking Grate (DK) into position on the Side Shelf (DE), as shown in figure F.

## 10.

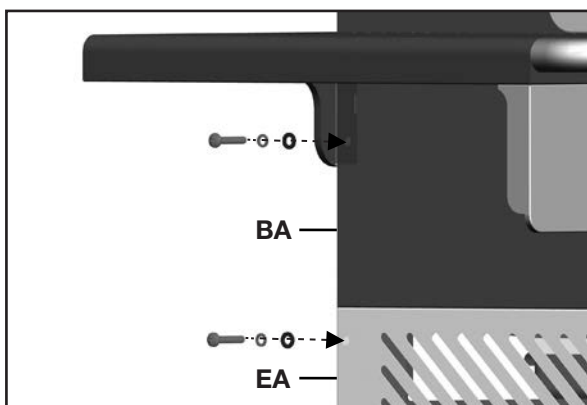


Attach the Upper Back Panel (BG) to both the Left and Right Cart Side Panels (EA and EB).

### YOU WILL NEED:

<b>2</b>	<b>3</b>	<b>4</b>
		
X 4	X 4	X 4

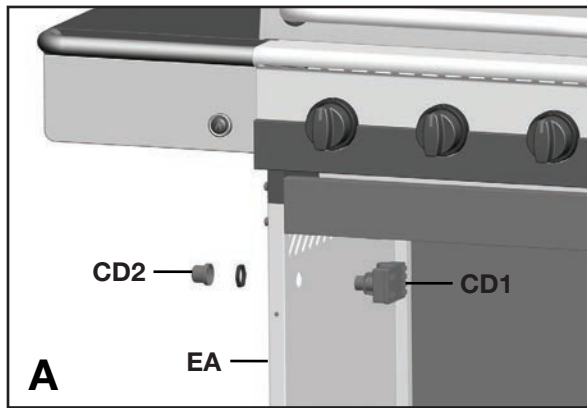
Back view



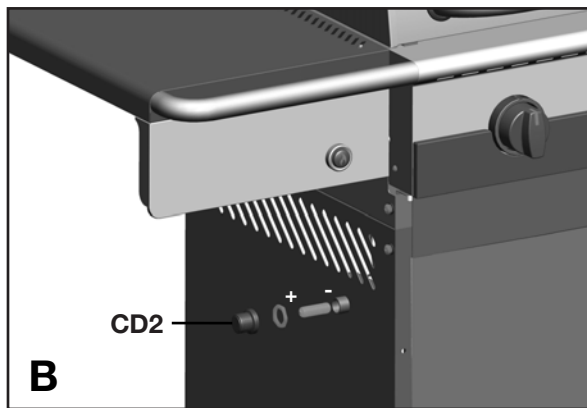
Close up, left side view

# ASSEMBLY INSTRUCTIONS

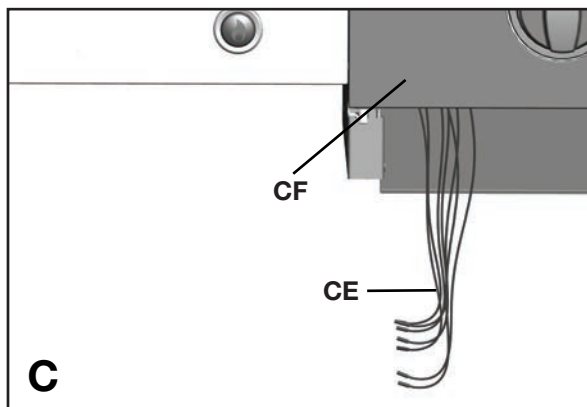
## 12.



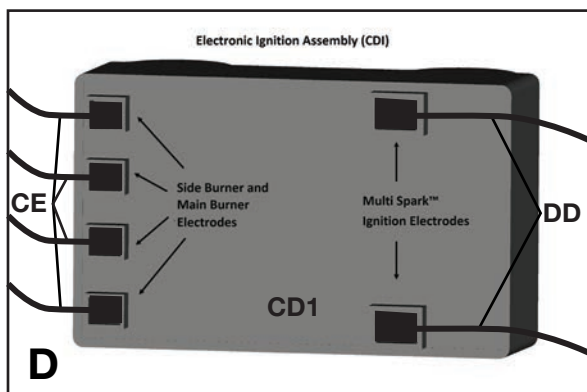
- Remove the Electronic Ignition Battery Cap (CD2) and the plastic nut from the Electronic Ignition Box (CD1).
- Feed the Electronic Ignition Assembly (CD1) through the opening in the Left Cart Side Panel (EA) and secure using the nut.



- Insert one "AA" battery into the battery compartment with the positive end facing outward, as shown. Secure using the Electronic Ignition Battery Cap (CD2).



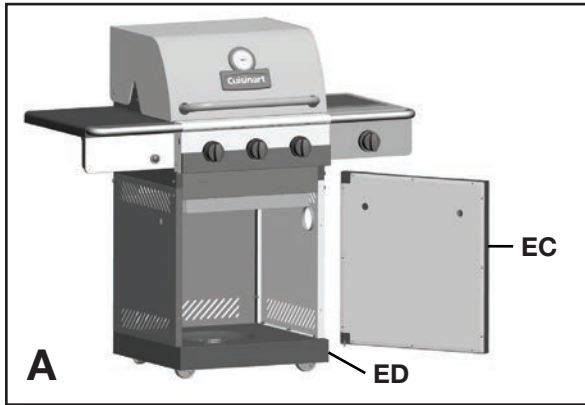
**TIP:** The Electrode Set, Main Burner (CE) wires can be found attached to the Control Panel heat shield (CF), as shown.



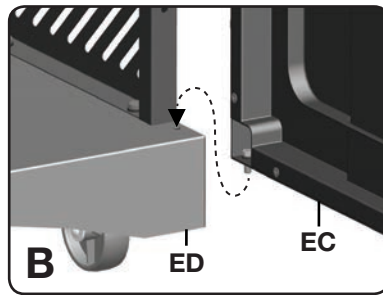
- Insert the three Main Burner Electrode (CE) wires, and the one Side Burner Electrode (DI) wire into the Electronic Ignition Assembly (CD1) as shown in figure D. Insert the two Multi Spark™ Ignition Button (DD) wires into the Electronic Ignition Assembly (CD1) as shown in figure D.

# ASSEMBLY INSTRUCTIONS

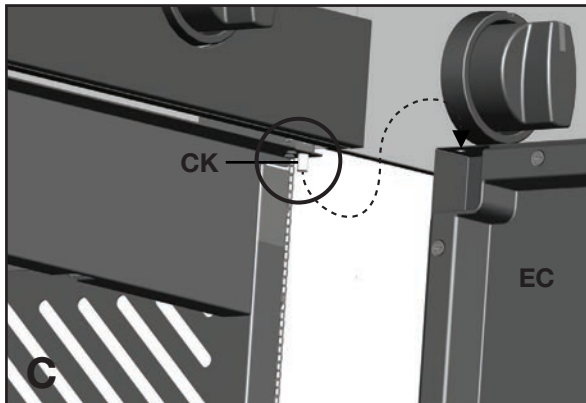
## 15.



- a. Assemble the Door Assembly (EC), to the bottom Shelf (ED) by inserting the fixed pin (bottom of door) into the hole provided as shown in Figure B.



Close up

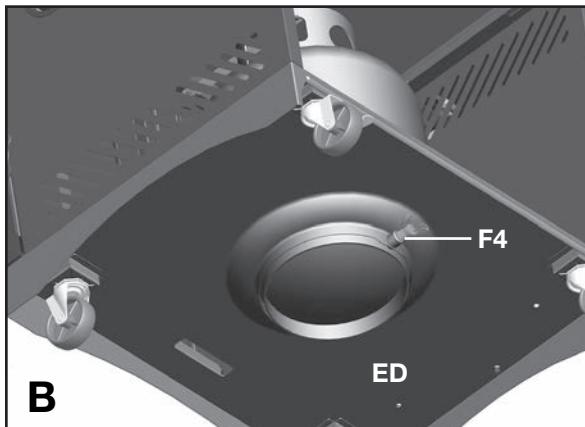
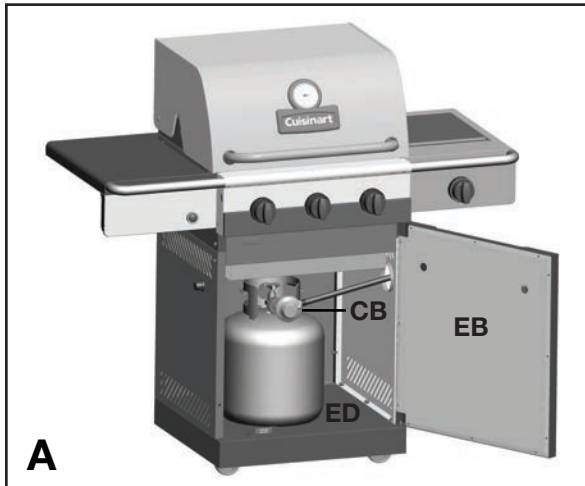


- b. Assemble the top of the Door Assembly (EC) to the Front Brace (CK), by pressing in the door support pin and aligning with the hole located on the top right corner of the door, as shown in Figure C.

**TIP:** Use a paint scraper to press-in the support pin, while the second person aligns the door. The support pin will lock into position when the door is assembled correctly.

# ASSEMBLY INSTRUCTIONS

## 17.



**FOR PROPANE MODELS ONLY.**

**For natural gas models, follow step 18.**

- Position the Regulator hose (CB) through the hole in the Right Cart Side Panel (EB).
- Position the 20 lb propane tank onto the bottom shelf (ED), and secure using the bolt (F4) (already attached) located on the underside of the bottom shelf, as shown in figure B.
- Attach the Regulator coupling nut (CB) to the LP cylinder valve. Be careful not to cross thread. Hand tighten only.
- Perform leak test. See page 4 of the Cuisinart® Safety & Care Manual.

**⚠ ATTENTION:** For your families safety, do not attempt to light this BBQ until you have reviewed pages 4-8 of the Cuisinart® Safety and Care Manual. **All Safety and Leak test MUST BE PERFORMED BY THE END USER, prior to lighting this BBQ.**

**⚠ WARNING** Do not store extra propane tanks within BBQ cart.

# Cuisinart®

Visit [www.cuisinartbbqs.com](http://www.cuisinartbbqs.com)  
to complete product registration.

Cuisinart® Gourmet Barbecues Customer Service:  
1-800-309-3452

Join the conversation



[facebook.com/cuisinartbbqs](https://facebook.com/cuisinartbbqs)



[twitter.com/cuisinartbbqs](https://twitter.com/cuisinartbbqs)