

Cuisinart® ASSEMBLY MANUAL



Cuisinart® Gourmet 700

85-3056-8 (G52501) Propane
85-3057-6 (G52502) Natural Gas

READ AND SAVE MANUAL FOR FUTURE REFERENCE.

Assemble your grill immediately.

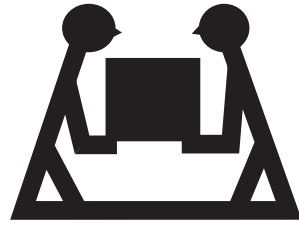
Missing or damaged parts should be claimed within 30 days of purchase.

For product inquiries, parts, warranty and troubleshooting support, please call 1-800-309-3452.

www.cuisinartbbqs.com

LIMITED 5-YEAR WARRANTY

Manual Revision #: 02042012 PD



HEAVY ARTICLE NEEDS 2 TO LIFT

THIS MANUAL MUST REMAIN WITH THE PRODUCT AT ALL TIMES

To ORDER non-warranty replacement parts or accessories,
or to register your warranty, please visit us on the web at
www.cuisinartbbqs.com

⚠ CAUTION

Sharp edges. Wear gloves when assembling your grill.

⚠ CAUTION

Read and follow all safety statements, assembly instructions, use and care directions before attempting to assemble and cook.

⚠ INSTALLER OR ASSEMBLER/CONSUMER

This manual should be kept with the BBQ at all times.

⚠ WARNING

Failure to follow all of the Manufacturer's instructions could result in hazardous fires, explosions, property damage, or serious personal injury or even death.

Follow all leak check procedures carefully prior to operation of barbecue, even if grill was dealer assembled. Do not try lighting this BBQ without reading the Lighting Instructions section of the Safety and Care Manual that accompanies this grill.

⚠ DANGER

- If you smell Gas:
 - Shut off gas to the appliance
 - Extinguish any open flame
 - Open lid
 - If odor continues, keep away from the appliance and immediately call your gas supplier or your fire department
- Do not store or use gasoline or other flammable liquids or vapours in the vicinity of this or any other appliance.
- An LP cylinder not connected for use shall not be stored in the vicinity of this or any other appliance.

⚠ DANGER

- Do not store or use gasoline or other flammable liquids or vapours in the vicinity of this or any other appliance.
- An LP cylinder not connected for use shall not be stored in the vicinity of this or any other appliance.

THIS BARBECUE IS FOR OUTDOOR USE ONLY

CUISINART® CUSTOMER CARE HOTLINE
1-800-309-3452

HARDWARE PACK

Tools Needed for Assembly

- #2 Phillips screwdriver (long and short)
- ¼" Slotted screwdriver (long and short)
- Adjustable wrench
- Pliers
- Rubber Mallet

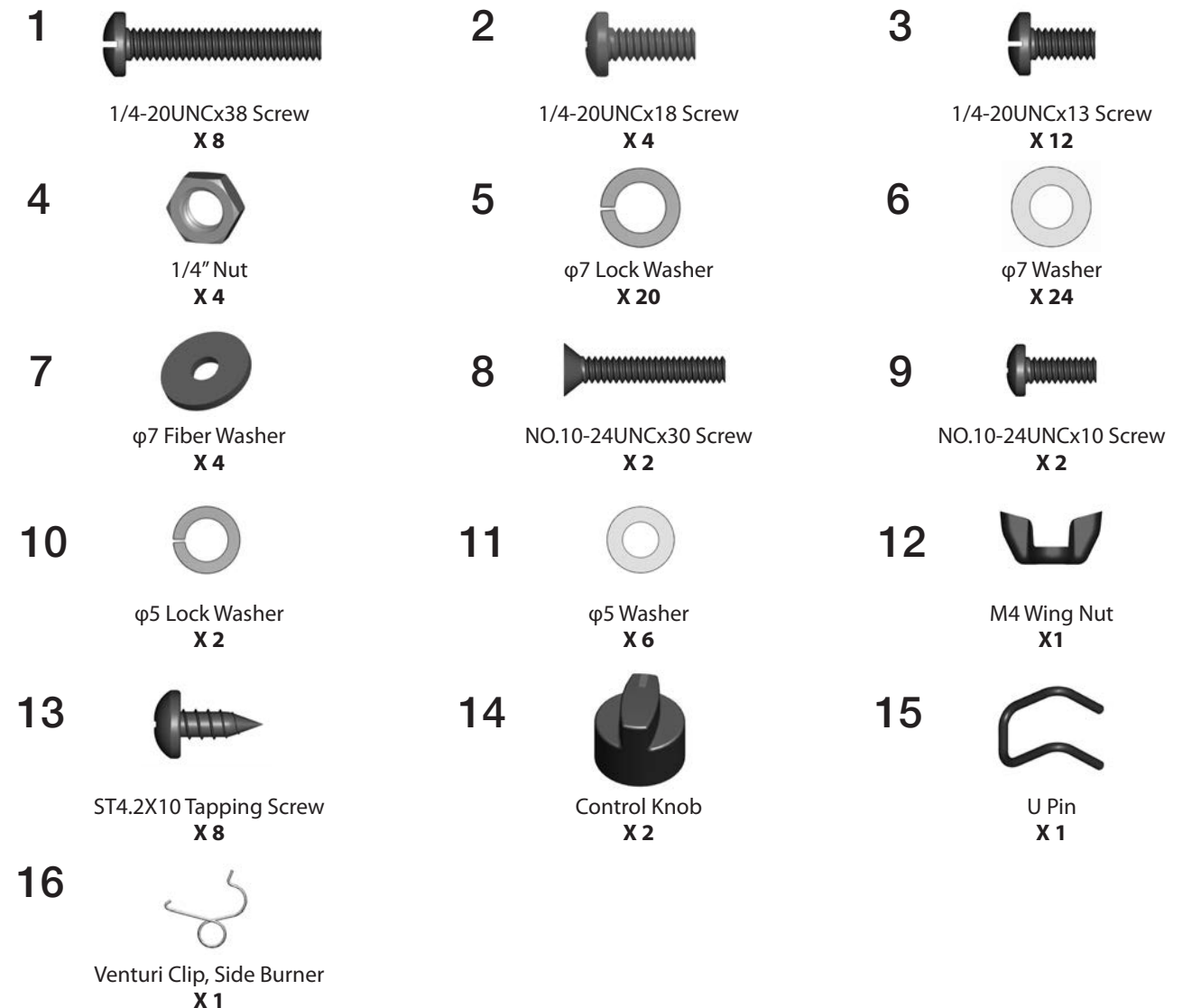
Before assembling the barbecue, read these instructions carefully.

Assemble the barbecue on a flat, clean surface. Grill is heavy.

Note: Do not fully tighten all the nuts during this initial stage

No.	Description	Part Number	Qty.
1	1/4-20UNCx38 Screw	20120-13038-250	8
2	1/4-20UNCx18 Screw	20120-13018-250	4
3	1/4-20UNCx13 Screw	20120-13013-250	12
4	1/4" Nut	30220-13000-250	4
5	φ7 Lock Washer	41400-07000-250	20
6	φ7 Washer	40300-07000-250	24
7	φ7 Fiber Washer	G501-0054-9100	4
8	NO.10-24UNCx30 Screw	20324-10030-250	2
9	NO.10-24UNCx10 Screw	20124-10010-250	2
10	φ5 Lock Washer	41400-05000-250	2
11	φ5 Washer	40300-05000-250	6
12	M4 Wing Nut	33301-04000-032	1
13	ST4.2X10 Tapping Screw	22500-42010-137	8
14	Control Knob	G525-0013-9000	2
15	U Pin	G350-0026-9000	1
16	Venturi Clip, Side Burner	G405-0019-9200	1

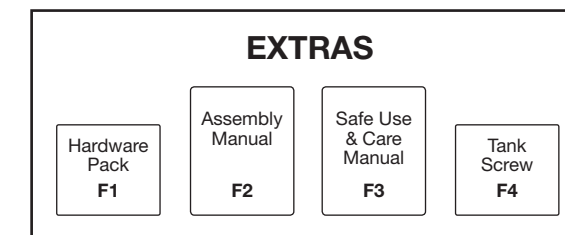
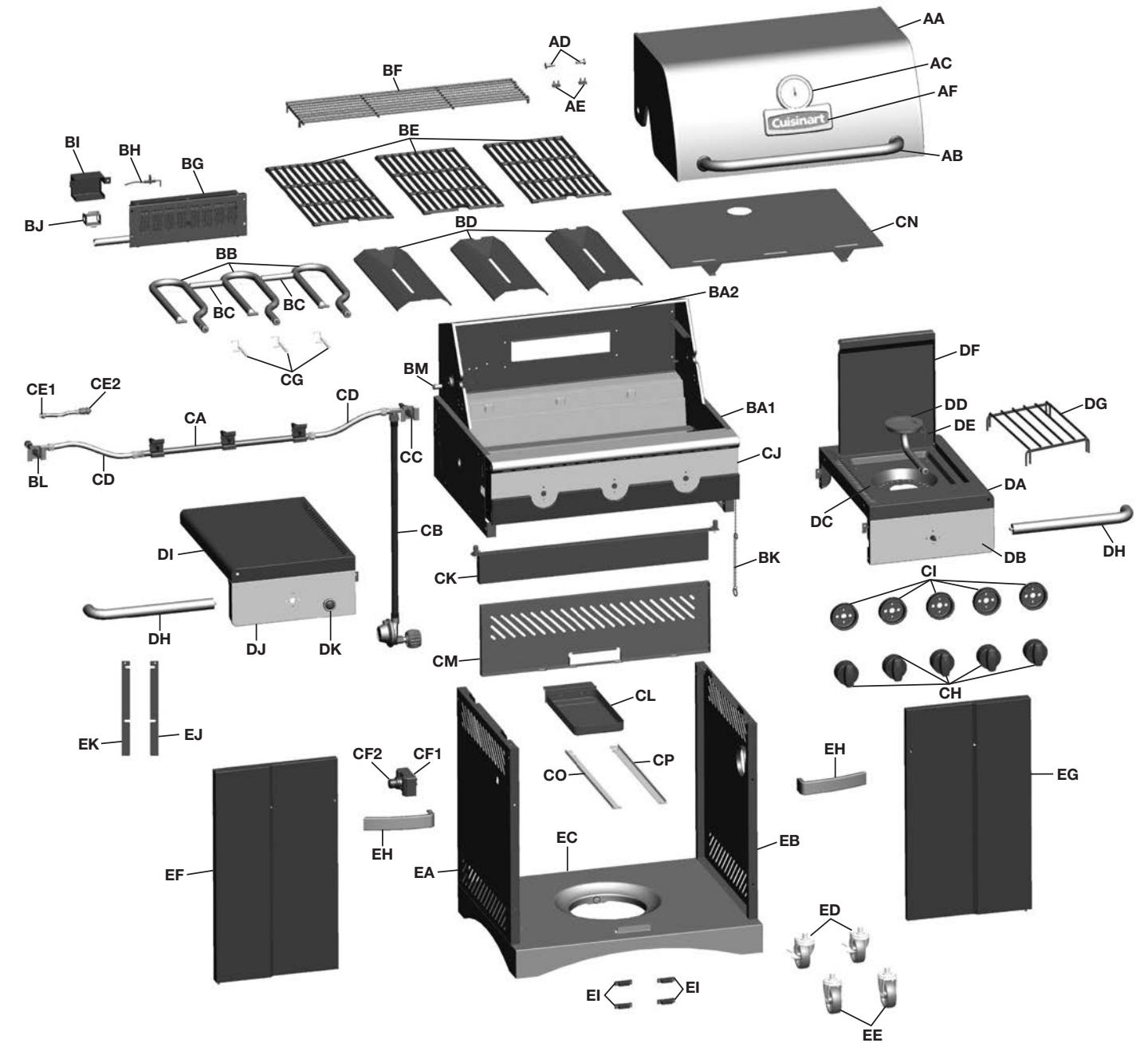
⚠ Caution:
Sheet metal can cause injury. Wear gloves when installing this grill.



PARTS LIST (PROPANE) FOR 85-3056-8 (G52501)

Item No.	Qty.	Description	Part No.	Item No.	Qty.	Description	Part No.
AA	1	Top lid	G525-2000-01	DA	1	Side Shelf Table - Right	G525-0600-01
AB	1	Lid Handle	G525-0033-01	DB	1	Side Shelf Fascia - Right	G525-1000-01
AC	1	Thermometer	G512-0085-01	DC	1	Side Burner Drip Pan	G515-0083-01
AD	2	Screw for Top Lid	G433-0002-01	DD	1	Side Burner	G453-3400-01
AE	2	Lid Bumper	G508-0063-01	DE	1	Electrode Set, Side Burner	G515-0039-01
AF	1	Logo Plate	G418-0002-01	DF	1	Lid, Side Burner	G501-0070-01
BA1	1	Burner Box Assembly	G525-3100-01	DG	1	Cooking Grate, Side Burner	G501-0077-01
BA2	1	Burner Box Surround	G525-3200-01	DH	2	Towel Bar	G525-0029-01
BB	3	Main Burner	G525-3800-01	DI	1	Side Shelf Table - Left	G525-0700-01
BC	1	Carryover Assembly	G525-0003-01	DJ	1	Side Shelf Fascia - Left	G525-1100-01
BD	3	Flame Tamer	G525-0015-01	DK	1	Electronic Ignition Button	G525-0028-01
BE	3	Cooking Grate	G525-0016-01	EA	1	Left Cart Side Panel	G525-0018-01
BF	1	Warming Rack	G525-0017-01	EB	1	Right Cart Side Panel	G525-0019-01
BG	1	Stainless Steel Rotisserie Burner	G525-3500-01	EC	1	Bottom Shelf - LP	G525-0500-01
BH	1	Electrode Set, Rotisserie Burner	G453-0033-01	ED	2	Wheel with Lock	G515-0082-01
BI	1	Wind Shield, Rotisserie Burner	G501-00B1-01	EE	2	Wheel	G350-0024-01
BJ	1	Collector Box, Rotisserie Burner	G501-00C1-01	EF	1	Left Door Assembly	G525-6000-01
BK	1	Match Holder	G501-0068-01	EG	1	Right Door Assembly	G525-7000-01
BL	1	Rotisserie LP Valve	G525-0009-01	EH	2	Door Handle	G525-0025-01
BM	2	Lid Support Pin	G525-0014-01	EI	4	Door Magnet Assembly	G439-0035-01
CA	1	Manifold Assembly, LP	G525-3400-01	EJ	1	Left Support Bar	G525-0038-01
CB	1	Regulator	G606-0008-01	EK	1	Right Support Bar	G525-0039-01
CC	1	Side Burner Valve, LP	G525-0008-01	F1	1	Hardware Pack	G525-B001-01
CD	2	Metal Hose	G508-0024-01	F2	1	Assembly Manual	G525-M001-01
CE1	1	Rotisserie Flexible Hose	G601-0055-A1	F3	1	Safe Use and Care Manual	G525-M001-02
CE2	1	Rotisserie LP Orifice	G601-0055-03	F4	1	Tank Screw	G505-0047-01
CF1	1	Electronic Ignition Assembly	G515-0030-03				
CF2	1	Electronic Ignition Battery Cap	G515-0030-01				
CG	3	Electrode Set, Main Burner	G525-0030-01				
CH	5	Control Knob	G525-0013-01				
CI	5	Bezel, Control Knob	G525-0012-01				
CJ	1	Control Panel	G525-0010-01				
CK	1	Front Brace	G525-5000-01				
CL	1	Grease Tray	G350-4400-01				
CM	1	Upper Back Panel	G525-0021-01				
CN	1	Heat Shield	G525-0022-01				
CO	1	Left Track	G515-0024-01				
CP	1	Right Track	G515-0025-01				

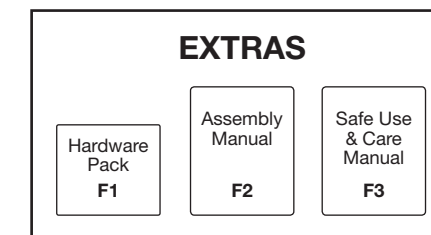
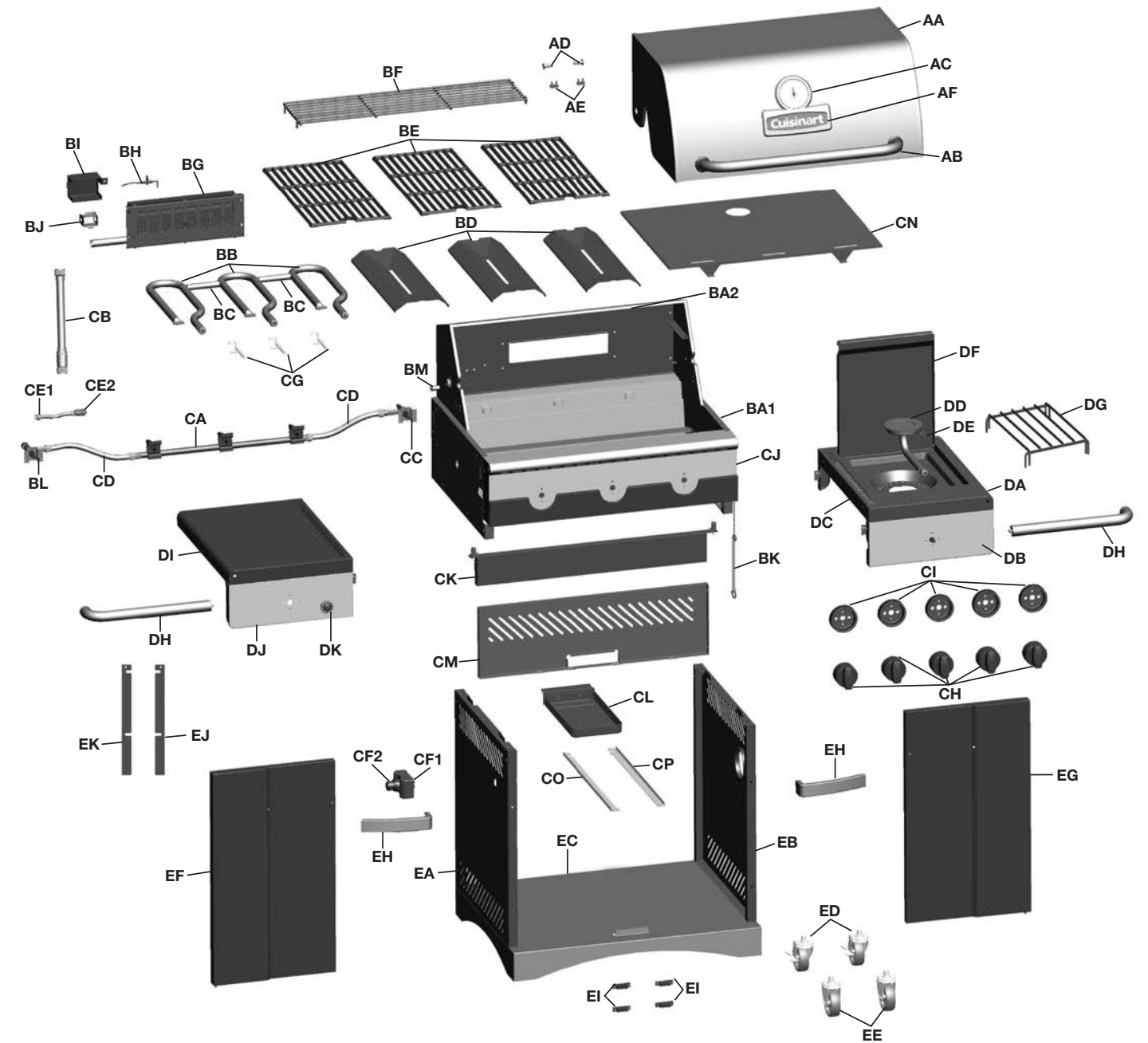
EXPLODED DIAGRAM (PROPANE) FOR 85-3056-8 (G52501)



PARTS LIST (NATURAL GAS) FOR 85-3057-6 (G52502)

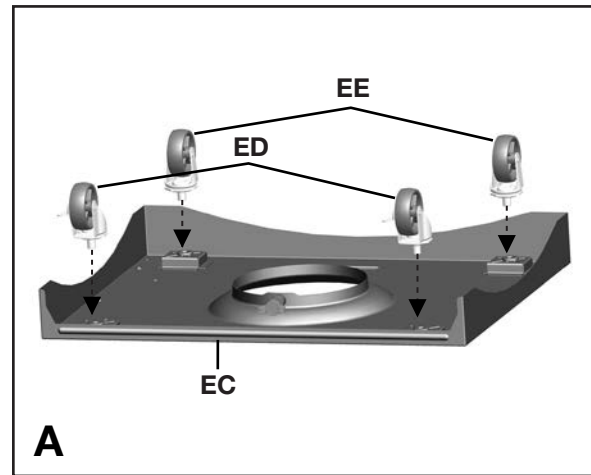
Item No.	Qty.	Description	Part No.	Item No.	Qty.	Description	Part No.
AA	1	Top lid	G525-2000-01	DA	1	Side Shelf Table - Right	G525-0600-01
AB	1	Lid Handle	G525-0033-01	DB	1	Side Shelf Fascia - Right	G525-1000-01
AC	1	Thermometer	G512-0085-01	DC	1	Side Burner Drip Pan	G515-0083-01
AD	2	Screw for Top Lid	G433-0002-01	DD	1	Side Burner	G453-3400-01
AE	2	Lid bumper	G508-0063-01	DE	1	Electrode Set, Side Burner	G515-0039-01
AF	1	Logo Plate	G418-0002-01	DF	1	Lid, Side Burner	G501-0070-01
BA1	1	Burner Box Assembly	G525-3100-01	DG	1	Cooking Grate, Side Burner	G501-0077-01
BA2	1	Burner Box Surround	G525-3200-01	DH	2	Towel Bar	G525-0029-01
BB	3	Main Burner	G525-3800-01	DI	1	Side Shelf Table - Left	G525-0700-01
BC	1	Carryover Assembly	G525-0003-01	DJ	1	Side Shelf Fascia - Left	G525-1100-01
BD	3	Flame Tamer	G525-0015-01	DK	1	Electronic Ignition Button	G525-0028-01
BE	3	Cooking Grate	G525-0016-01	EA	1	Left Cart Side Panel	G525-0018-01
BF	1	Warming Rack	G525-0017-01	EB	1	Right Cart Side Panel	G525-0019-01
BG	1	Stainless Steel Rotisserie Burner	G525-3500-01	EC	1	Bottom Shelf - NG	G525-1600-01
BH	1	Electrode Set, Rotisserie Burner	G453-0033-01	ED	2	Locking Wheel	G515-0082-01
BI	1	Wind Shield, Rotisserie Burner	G501-00B1-01	EE	2	Wheel	G350-0024-01
BJ	1	Collector Box, Rotisserie Burner	G501-00C1-01	EF	1	Left Door Assembly	G525-6000-01
BK	1	Match holder	G501-0068-01	EG	1	Right Door Assembly	G525-7000-01
BL	1	Rotisserie NG Valve	G525-0036-01	EH	2	Door Handle	G525-0025-01
BM	2	Lid Support Pin	G525-0014-01	EI	4	Door Magnet Assembly	G439-0035-01
CA	1	Manifold Assembly, NG	G525-1400-01	EJ	1	Left Support Bar	G525-0038-01
CB	1	Natural Gas Hose	G501-0099-01	EK	1	Right Support Bar	G525-0039-01
CC	1	Side Burner Valve, NG	G525-0035-01	F1	1	Hardware Pack	G525-B001-01
CD	2	Metal Hose	G508-0024-01	F2	1	Assembly Manuals	G525-M001-01
CE1	1	Rotisserie Flexible Hose	G601-0055-A1	F3	1	Safe Use and Care Manual	G525-M001-02
CE2	1	Rotisserie NG Orifice	G601-0055-04				
CF1	1	Electronic Ignition Assembly	G515-0030-03				
CF2	1	Electronic Ignition Battery Cap	G515-0030-01				
CG	3	Electrode Set, Main Burner	G525-0030-01				
CH	5	Control Knob	G525-0013-01				
CI	5	Bezel, Control Knob	G525-0012-01				
CJ	1	Control Panel	G525-0010-01				
CK	1	Front Brace	G525-5000-01				
CL	1	Grease Tray	G350-4400-01				
CM	1	Upper Back Panel	G525-0021-01				
CN	1	Heat Shield	G525-0022-01				
CO	1	Left Track	G515-0024-01				
CP	1	Right Track	G515-0025-01				

EXPLODED DIAGRAM (NATURAL GAS) FOR 85-3057-6 (G52502)

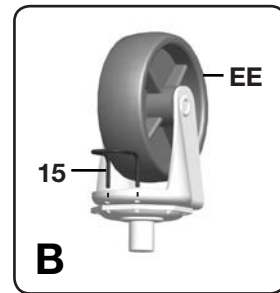


ASSEMBLY INSTRUCTIONS

1.



Back view



Close up

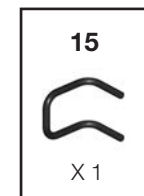
Separate the 2 different types of wheels: 2 Locking Wheels (ED) and 2 Regular Wheels (EE).

Insert the U Pin (#15) into one of the regular Wheels (EE), as shown in image B. Attach the Regular Wheel (EE) to the front of the Bottom Shelf (EC), and use the U Pin (#15) to secure and tighten.

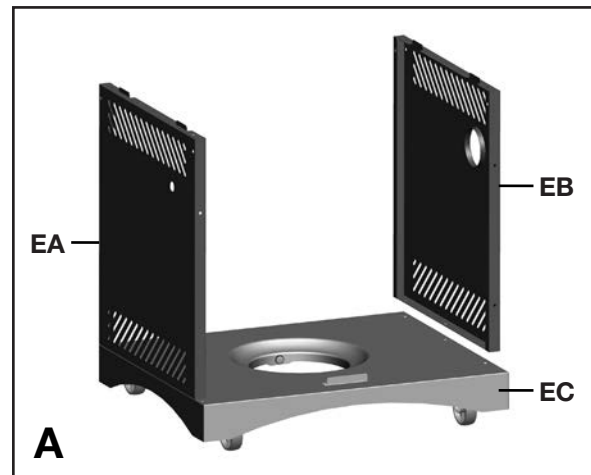
Repeat for remaining 3 Wheels (EE & ED).

NOTE: Regular Wheels (EE) need to be assembled to the front of the Bottom Shelf (EC), and Wheels with Lock (ED) need to be assembled to the back of the Bottom Shelf (EC), as shown in image A.

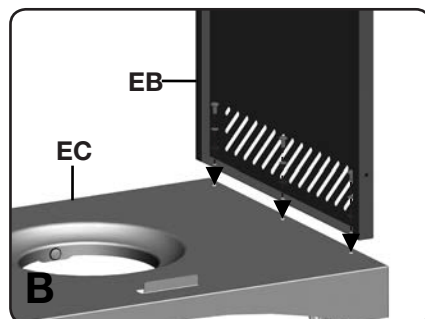
YOU WILL NEED:



2.



Front view

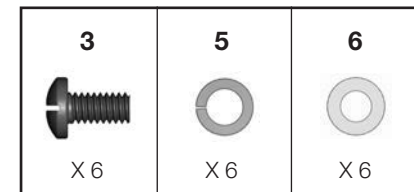


Close up

Ensure that the wheels are firmly locked in the "ON" position before continuing.

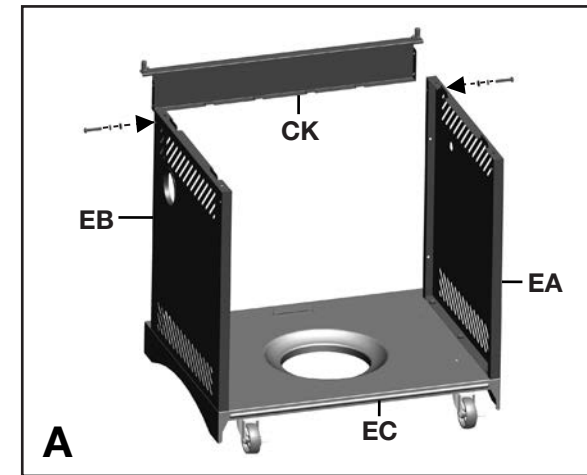
Assemble the Left Cart Side Panel (EA) and the Right Cart Side Panel (EB) to the Bottom Shelf (EC).

YOU WILL NEED:

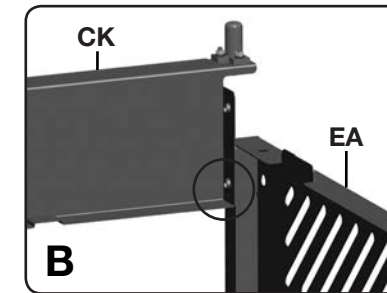


ASSEMBLY INSTRUCTIONS

3.



Back view

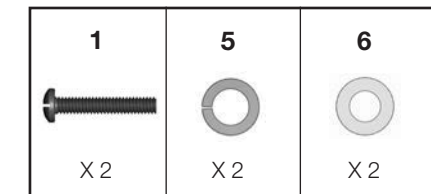


Close up

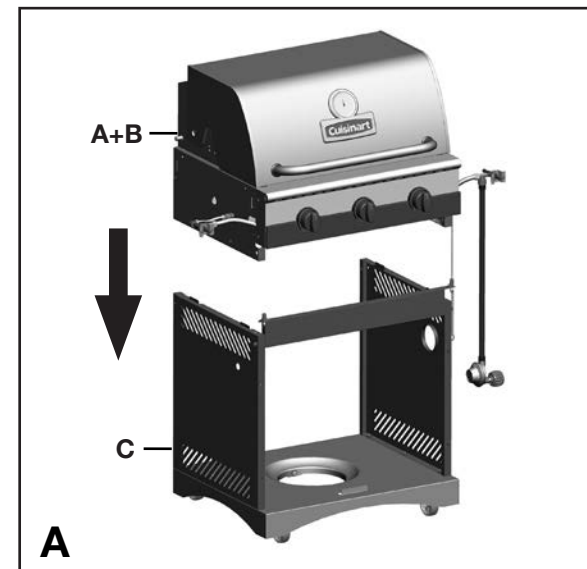
Attach the Front Brace (CK) to the Left and Right Cart Side Panels (EA and EB)

TIP: One person should align the left side, while the second person assembles the right side.

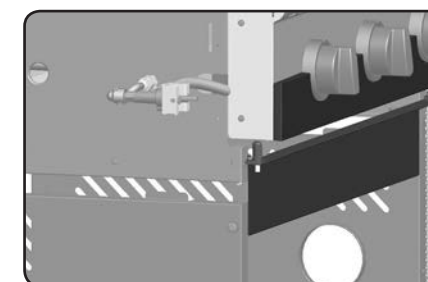
YOU WILL NEED:



4.



A



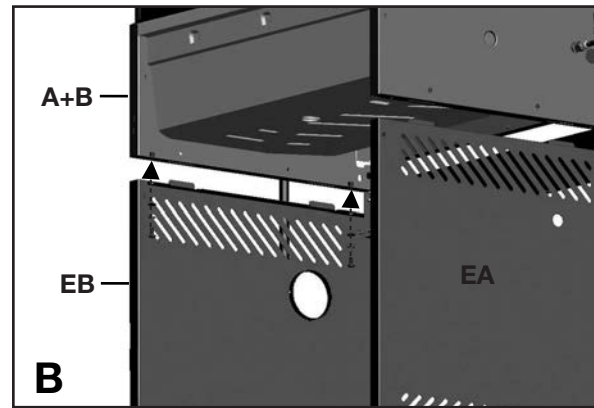
Close up - left side view

THIS STEP REQUIRES 3 PEOPLE. DO NOT ATTEMPT ALONE. EXTREMELY HEAVY.

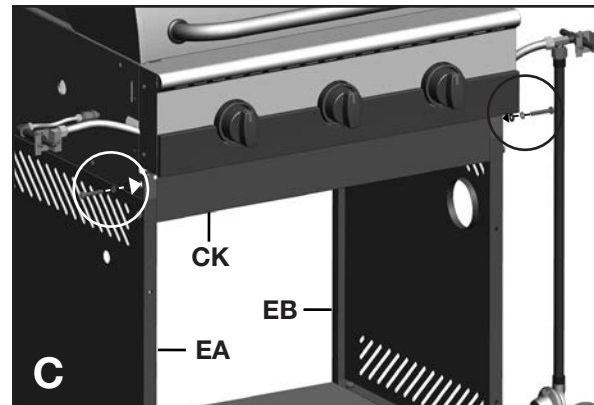
a. Position the Top Lid and Burner Box Assembly (A and B) onto Cart Assembly (C), as shown.

ASSEMBLY INSTRUCTIONS

4.



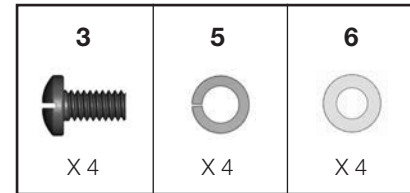
Back view



Front view

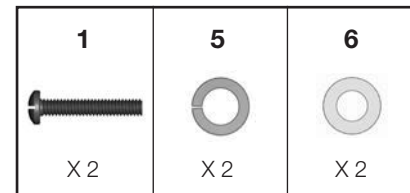
b. Assemble Burner Box Assembly (A and B) to the Left and Right Cart Side Panels (EA and EB), as shown.

YOU WILL NEED:

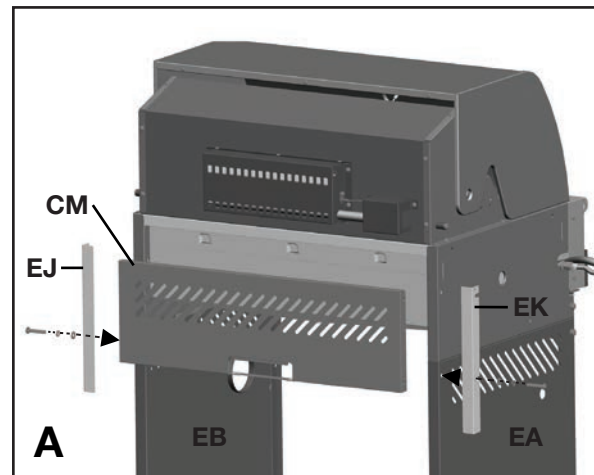


c. Assemble the front of the Burner Box Assembly (A and B) to the Front Brace (CK), as shown.

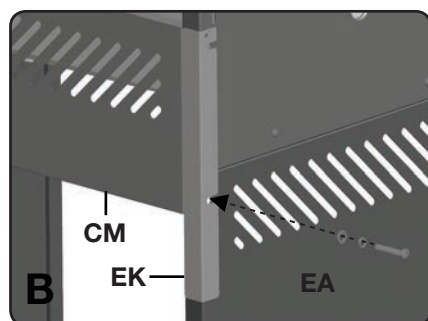
YOU WILL NEED:



5.



Back view



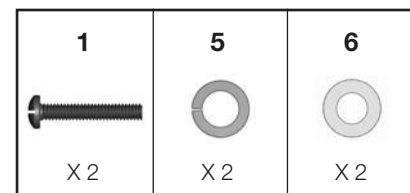
Close up

Attach the Upper Back Panel (CM) and the Left and Right Support Bars (EJ and EK) to both the Left and Right Cart Side Panels (EA and EB), as shown in figure A.

Only install hardware in the bottom portion of the Upper Back Panel (CM) and the Left and Right Support Bars (EJ and EK), as shown in figure B.

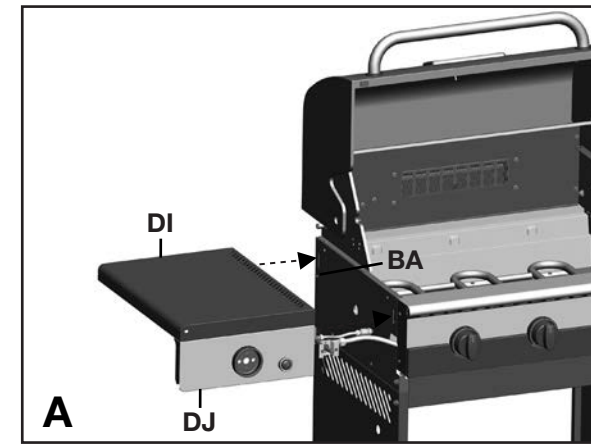
DO NOT TIGHTEN SCREWS UNTIL SIDE SHELF HAS BEEN INSTALLED

YOU WILL NEED:

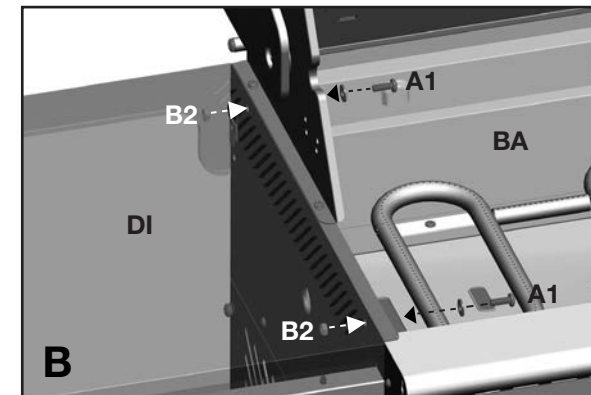


ASSEMBLY INSTRUCTIONS

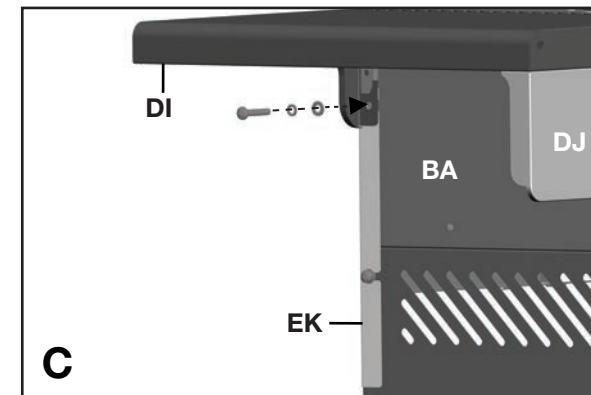
6.



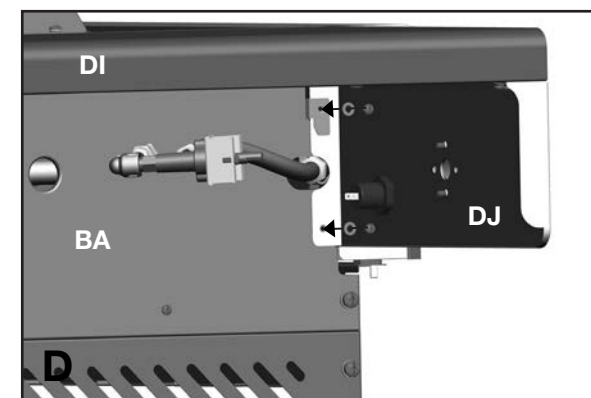
Front, left side view



Front, left side view



View under left side shelf

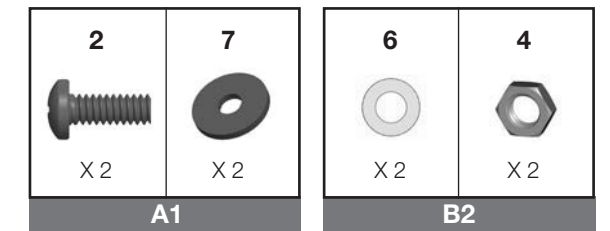


View under left side shelf

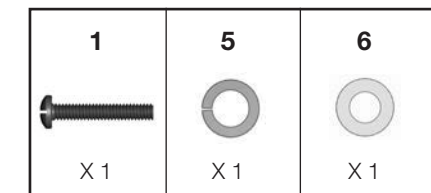
a. Open the Lid. Assemble the Left Side Shelf Assembly (DI and DJ) to the Right Support Bar (EK) and the Cart Assembly by inserting the Side Shelf tabs into holes on the Cart Assembly (figure A).

b. Secure using hardware, as shown in figure B, C & D.

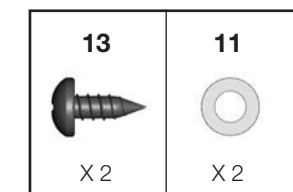
YOU WILL NEED:



YOU WILL NEED:

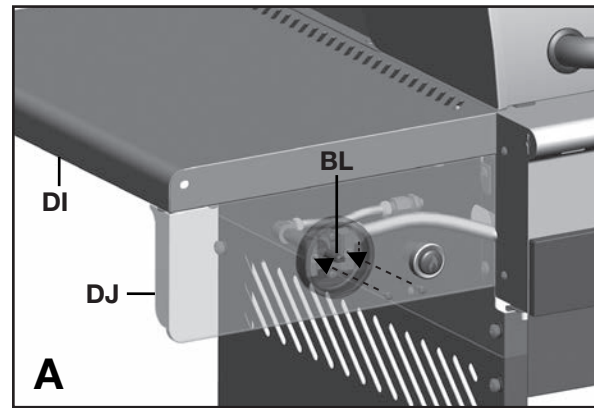


YOU WILL NEED:

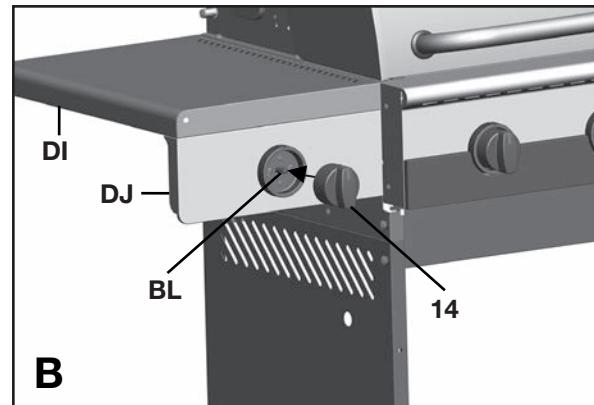


ASSEMBLY INSTRUCTIONS

7.



Front, left side view



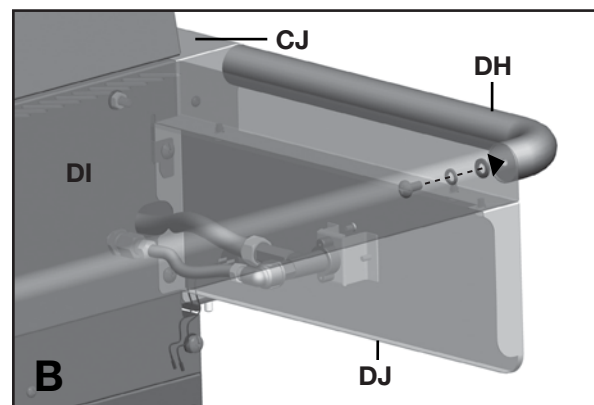
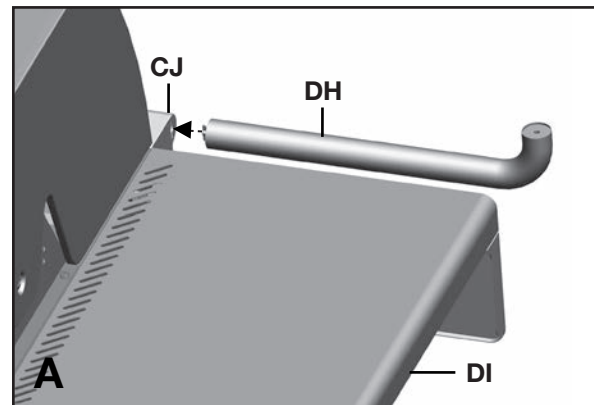
Front, left side view

- Remove the hardware that is pre-assembled to the Rotisserie Valve (BL), as shown in figure A.
- Insert the Rotisserie Burner Valve Stem (BL) through the rear of the Left Side Shelf Fascia (DJ). Assemble the Rotisserie Valve (BL) to the Side Shelf Fascia (DJ), using the hardware removed.
- Assemble the Side Burner Control Knob (#14) to the Rotisserie Valve (BL).

YOU WILL NEED:

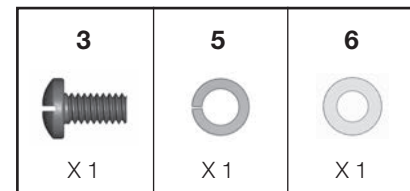


8.



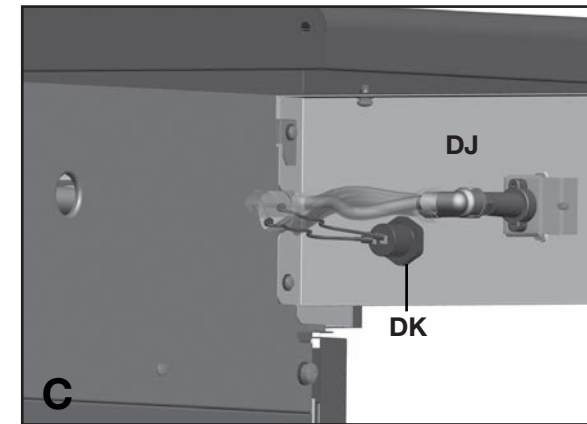
- Assemble the Towel Bar (DH) to the Control Panel (CJ) and Left Side Shelf (DI), as shown in figure A & B.

YOU WILL NEED:



ASSEMBLY INSTRUCTIONS

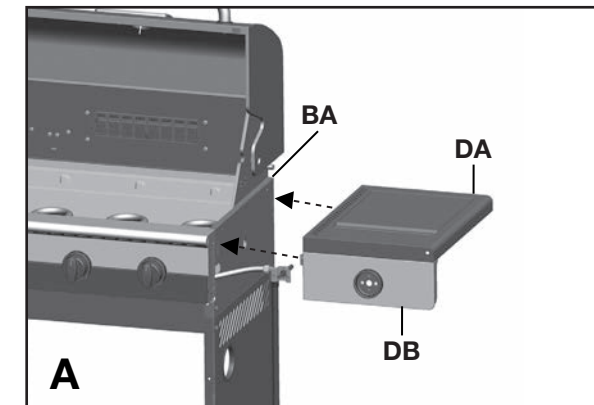
8.



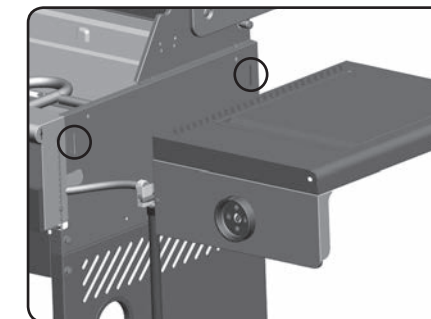
View under Left Side Shelf

- Attach the two ignition button wires to the Electronic Ignition Button (DK), as shown in figure C.

9.

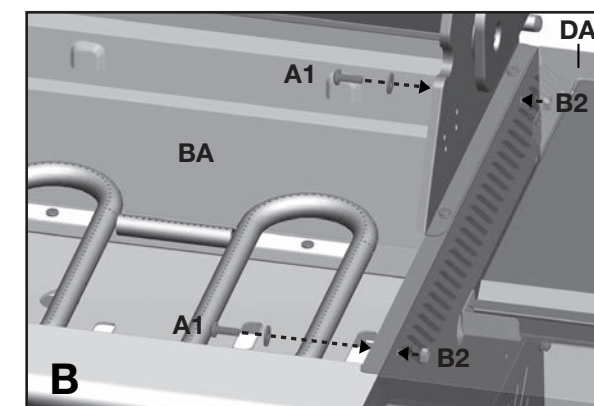


Front, right side view



Close up

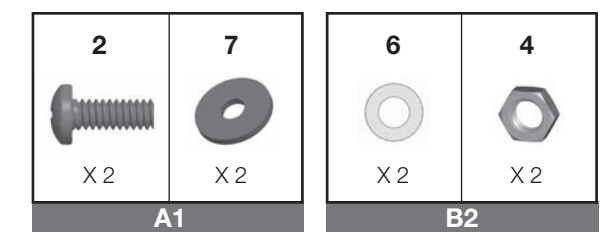
- Open the lid. Assemble the Right Side Shelf Assembly (DA and DB) to the Left Support Bar (EJ) and the Cart Assembly by inserting the Side Shelf tabs into the holes on the Cart Assembly (figure A).



View inside burner box

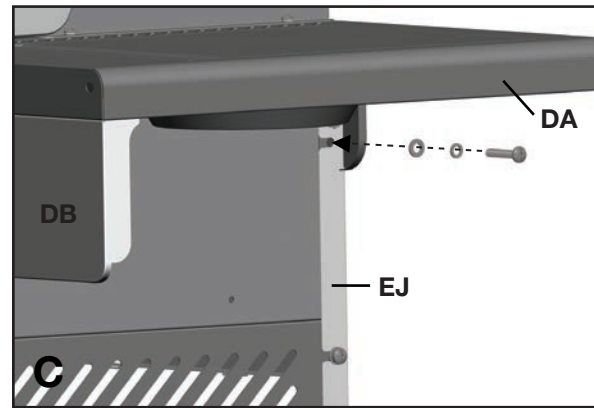
- Secure using hardware, as shown in figure B, C & D.

YOU WILL NEED:



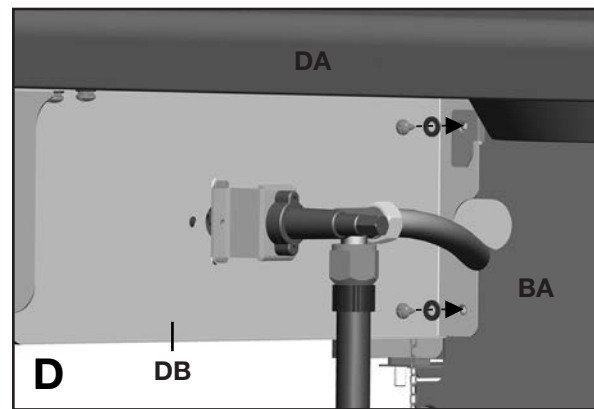
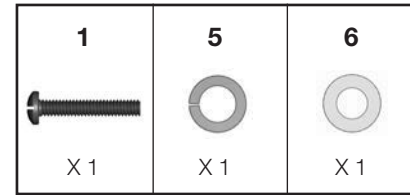
ASSEMBLY INSTRUCTIONS

9.



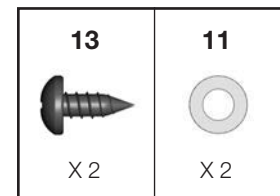
View under right side shelf

YOU WILL NEED:

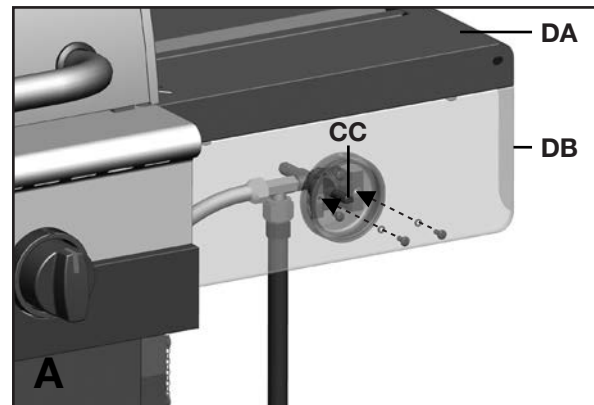


View under right side shelf

YOU WILL NEED:



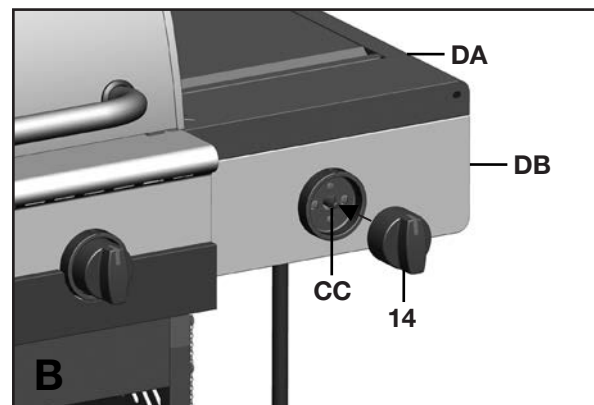
10.



Front, right side view

a. Remove the hardware that is pre-assembled to the Side Burner Valve bracket (CC), as shown in figure A.

b. Insert the Side Burner Valve stem (CC) through the rear of the Right Side Shelf Fascia (DB). Assemble the Side Burner Valve (CC) to the Side Shelf Fascia (DB), using the hardware removed (figure A).



Front, right side view

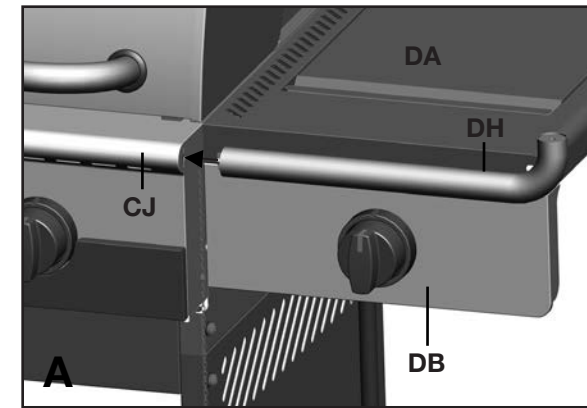
c. Assemble the Side Burner Control Knob (#14) to the Side Burner Valve (CC) (figure B).

YOU WILL NEED:



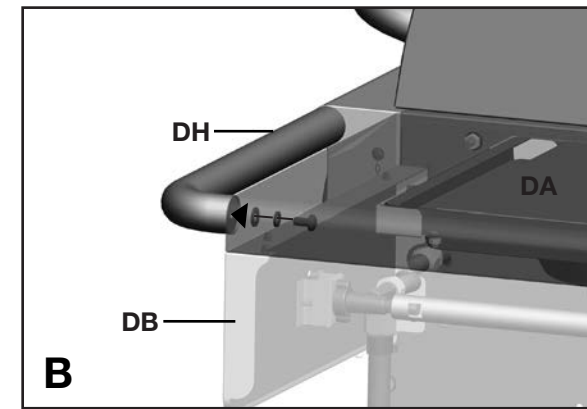
ASSEMBLY INSTRUCTIONS

11.



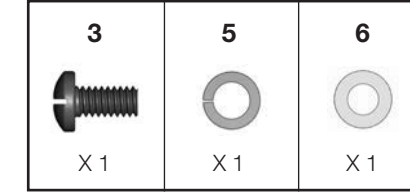
Front, right side view

Assemble the Towel Bar (DH) to the Control Panel (CJ) and Right Side Shelf (DJ), as shown in figure A & B.



Right side view

YOU WILL NEED:

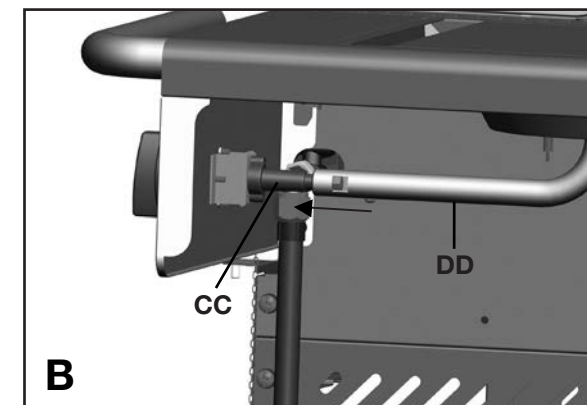


12.



Front, right side view

a. Position the Side Burner (DD) through the opening in the Side Burner Drip Pan (DC).

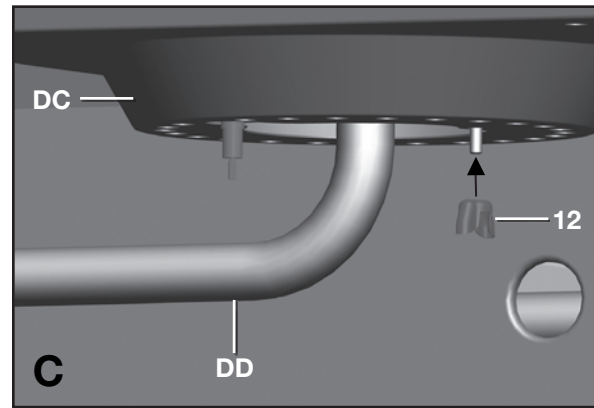


View under Right Side Shelf

NOTE: Make sure that the Side Burner (DD) engages the Side Burner Valve (CC), as shown in figure B.

ASSEMBLY INSTRUCTIONS

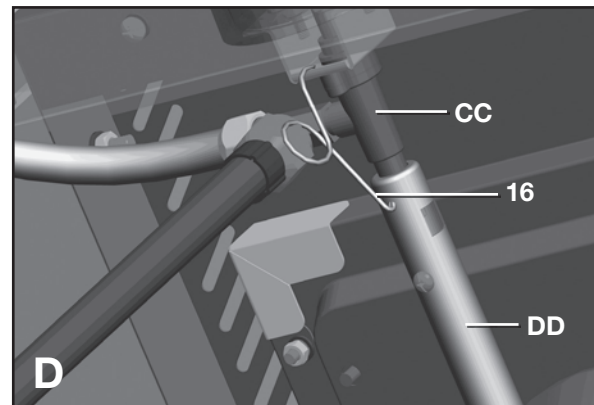
12.



View under right side shelf

b. Use the Wing Nut (#12) to assemble the Side Burner (DD) to the Side Burner Drip Pan (DC), as shown in figure C.

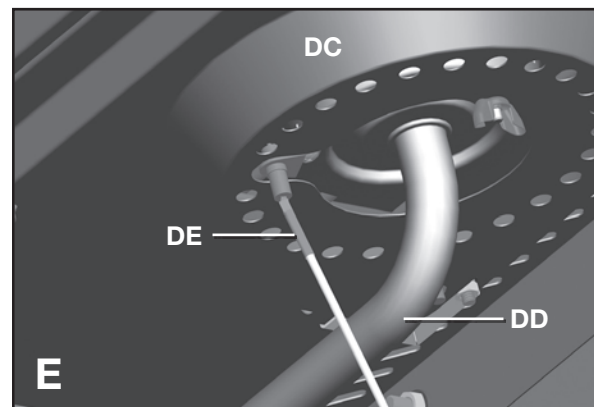
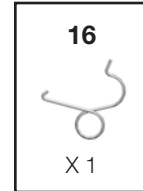
YOU WILL NEED:



View under right side shelf

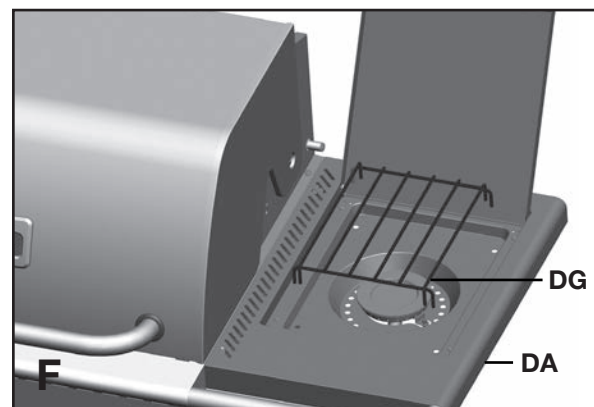
c. Use the Side Burner Venturi Clip (#16), connect the Side Burner (DD) to the Side Burner Valve (CC).

YOU WILL NEED:



View under right side shelf

d. Attach the end of the Side Burner Electrode Wire (DE) to the underside of the Side Burner (DD), as shown in figure E. Ensure that the wire is pushed in firmly.

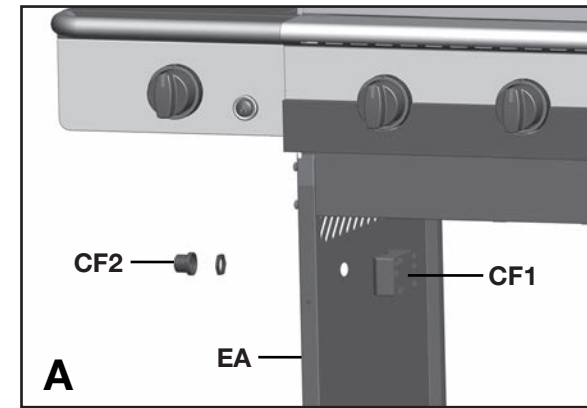


Front, right side view

e. Place the Side Burner Cooking Grate (DG) into position on the Side Shelf (DA), as shown in figure F.

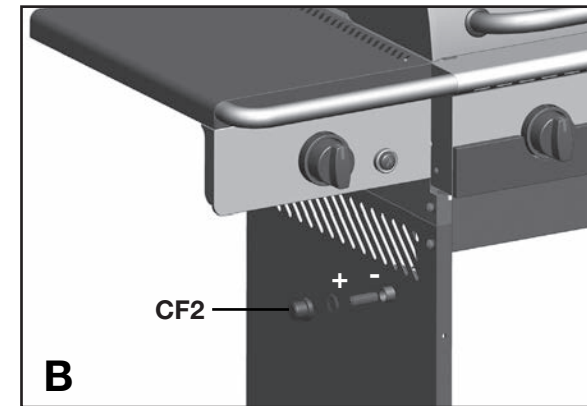
ASSEMBLY INSTRUCTIONS

13.

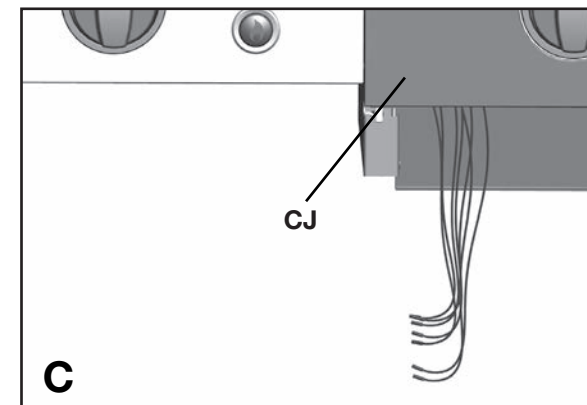


a. Remove the Electronic Ignition Battery Cap (CF2) and the plastic nut from the Electronic Ignition Assembly (CF1).

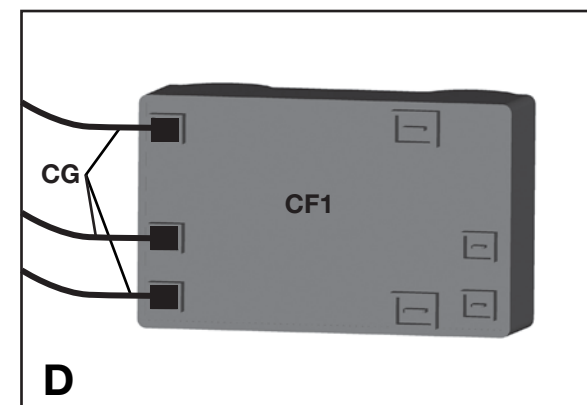
b. Feed the Electronic Ignition Assembly (CF1) through the opening in the Left Side Panel (EA) and secure using the nut.



c. Insert one "AA" battery into the battery compartment with the positive end facing outward, as shown. Secure using the Electronic Ignition Battery Cap (CF2).



TIP: The Electrode set, Main Burner (CG), the Electrode Wire, Side Burner (DE), and the Electrode Wire, Rotisserie Burner (BH) can be found attached to the control panel heat shield (CJ), as shown.

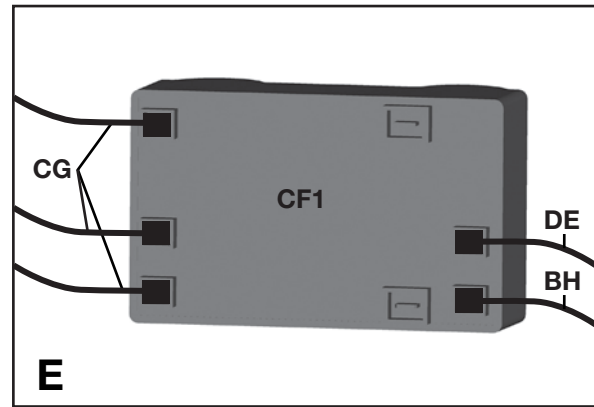


d. Insert the three Electrode set, Main Burner wires (CG) into the Electronic Ignition Assembly (CF1), as shown in figure D.

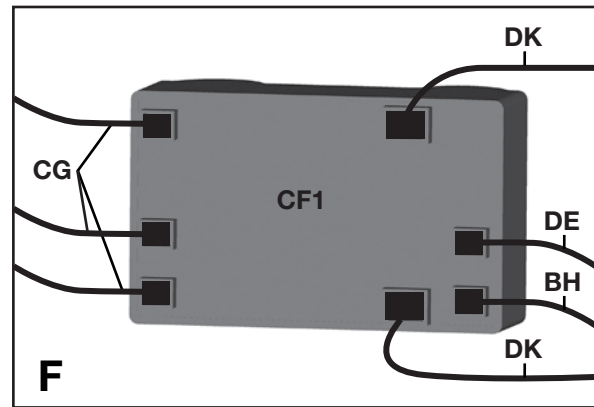
NOTE: All main burner, side burner and rotisserie burner electrode wire connection points are the same size.

ASSEMBLY INSTRUCTIONS

13.

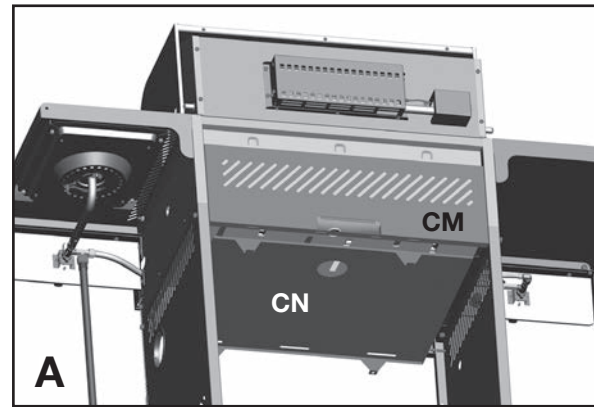


e. Insert the Electrode wire, Side Burner (DE) and the Electrode wire, Rotisserie Burner (BH) into the Electronic Ignition Assembly (CF1), as shown in figure E.



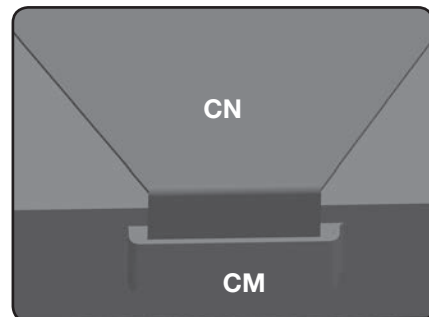
f. Insert the two Electronic Ignition Button Wires (DK) into the Electronic Ignition Assembly (CF1), as shown in figure F.

14.



Back view

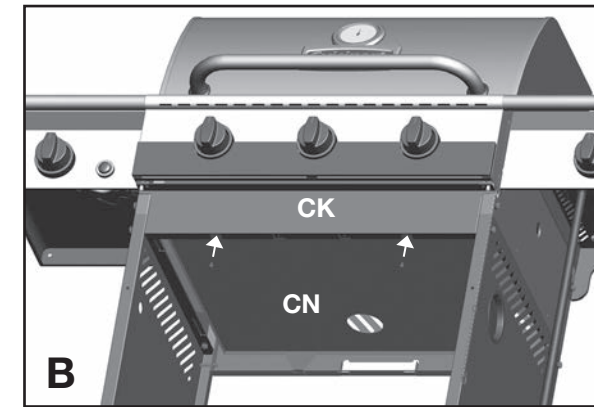
a. Position the Heat Shield (CN) into the two hooks located on the bottom of the Upper Back Panel (CM), as shown in figure A.



Close up

ASSEMBLY INSTRUCTIONS

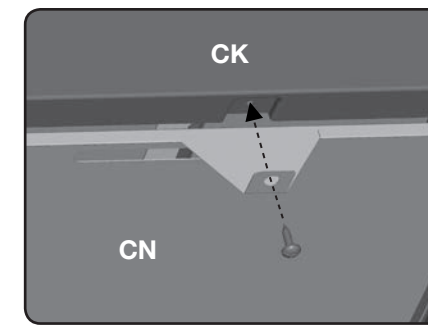
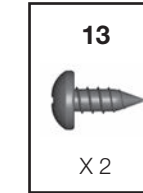
14.



Front view

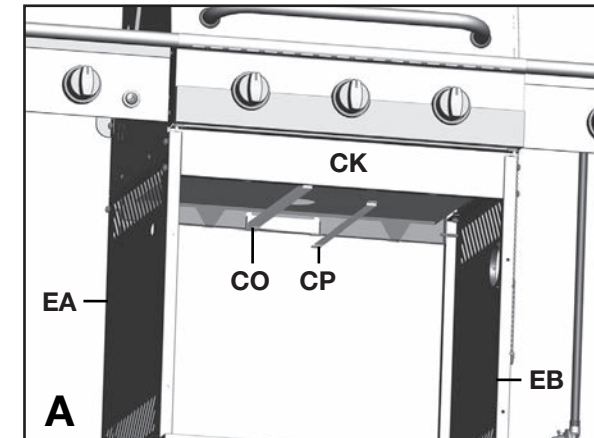
b. Assemble the Heat Shield (CN) to the bottom of the Front Brace (CK), as shown in figure B.

YOU WILL NEED:



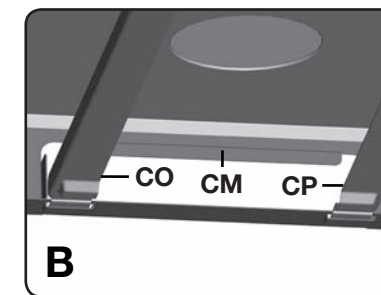
Close up

15.



Front, right side view

a. Assemble the Left and Right Tracks (CO and CP) for the Grease Tray (CL), as shown in figure A-C.

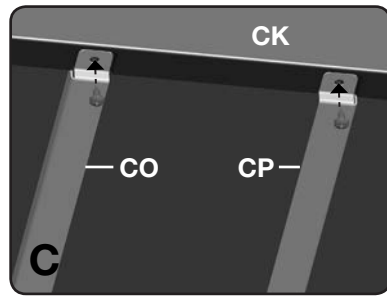


Close up, back

b. Both the Left and Right Tracks (CO and CP) should be inserted into the two clips located on the Upper Back Panel (CM), as shown in figure B.

ASSEMBLY INSTRUCTIONS

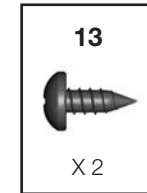
15.



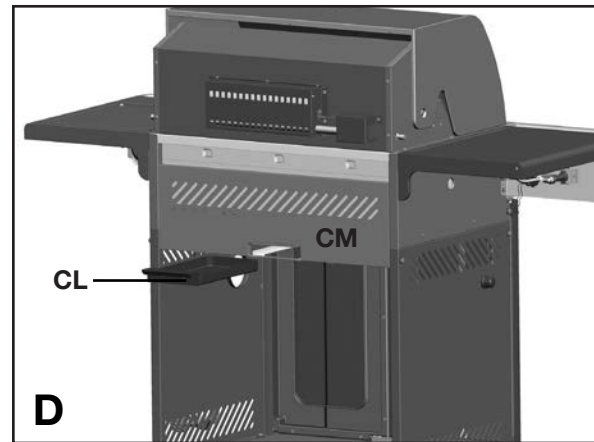
Close up, front

c. Assemble the front of the Left and Right Tracks (CO and CP) to the Front Brace (CK), as shown in figure C.

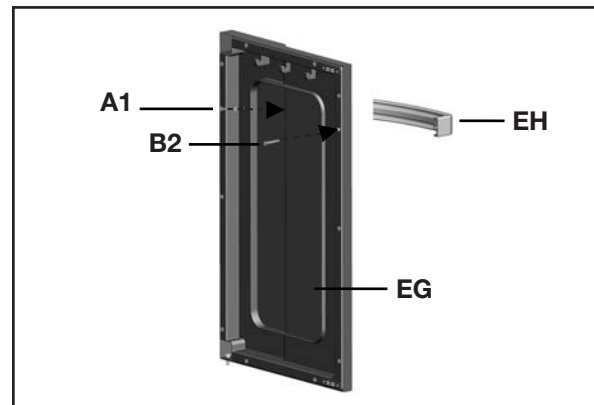
YOU WILL NEED:



d. Insert the Grease Tray (CL) into the opening of the Upper Back Panel (CM).

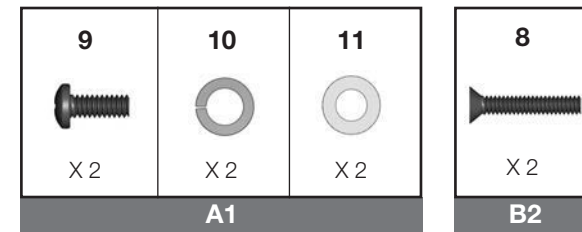


16.



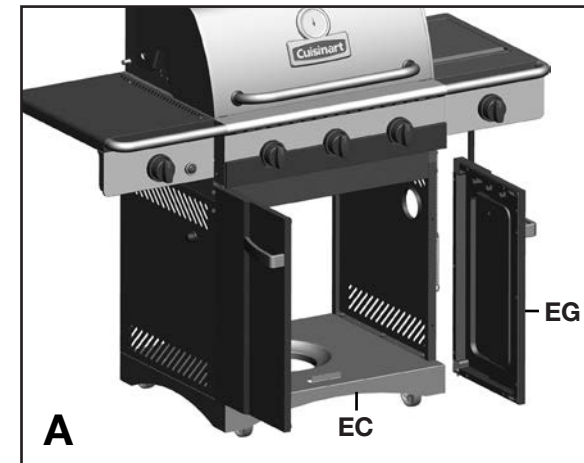
Assemble the Door Handle (EH) to the Left and Right Door Assembly (EF and EG) as shown in figure A.

YOU WILL NEED:

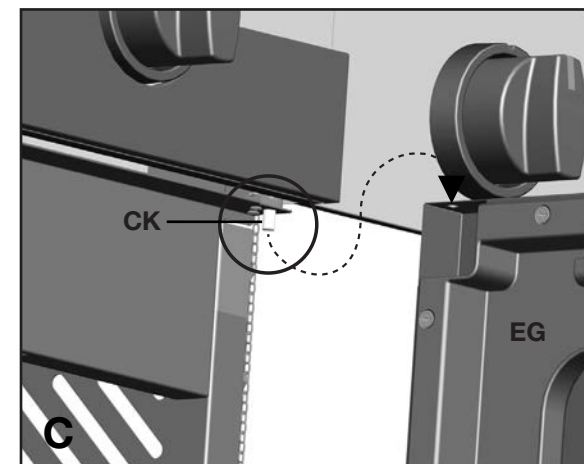
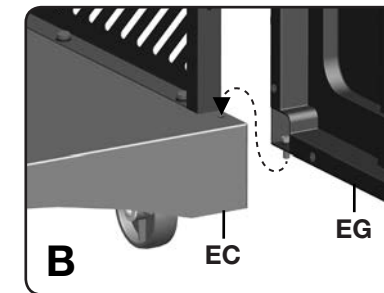


ASSEMBLY INSTRUCTIONS

17.



a. Assemble the Right Door Assembly (EG), to the Bottom Shelf (EC) by inserting the fixed pin (bottom of door) into the hole provided (figure B).



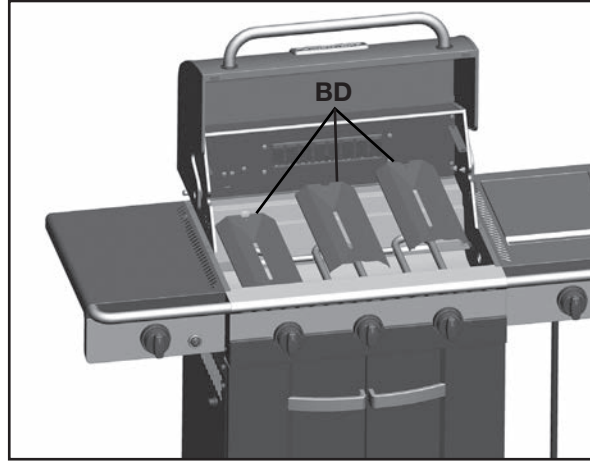
b. Assemble the top of the Door Assembly (EG) to the Front Brace (CK), by pressing in the door support pin and aligning with the hole located on the top right corner of the door.

TIP: Use a paint scraper to press-in the support pin, while the second person aligns the door. The support pin will lock into position when the door is assembled correctly.

c. Repeat steps b, and c for the Left Door Assembly (EC).

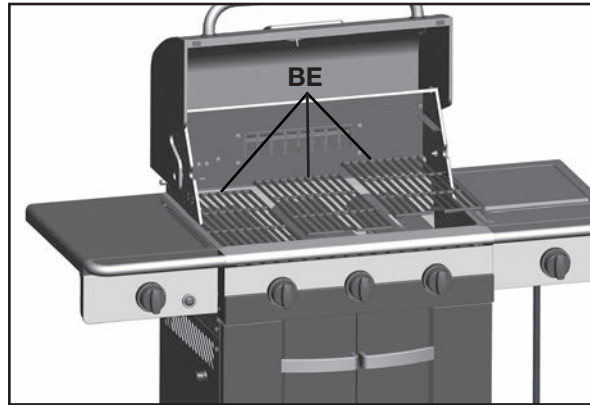
ASSEMBLY INSTRUCTIONS

18.

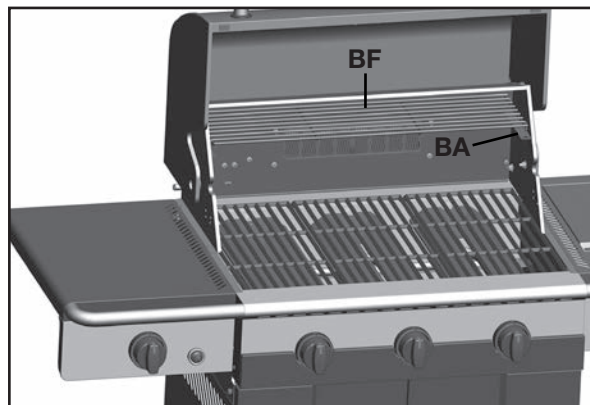


Place the Flame Tamers (BD) into the Burner Box (BA).

19.



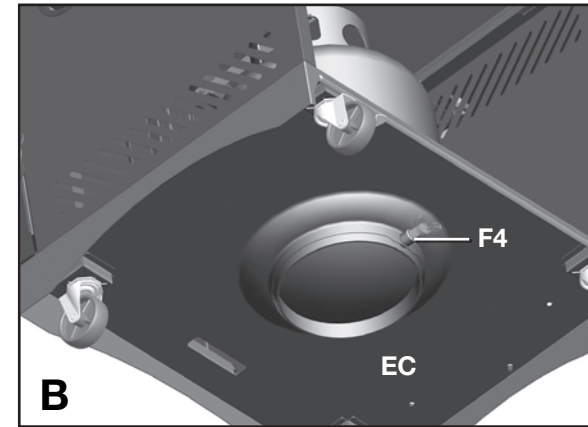
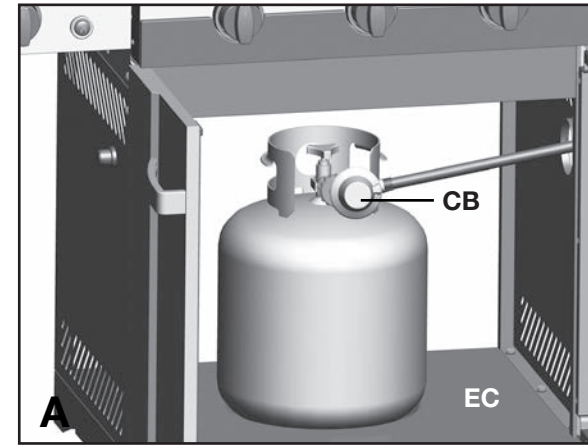
a. Place the Cooking Grates (BE) into the Burner Box (BA), as shown.



b. Assemble the Warming Rack (BF) by inserting the fixed pins into the warming rack support bars located on the Burner Box (BA), as shown.

ASSEMBLY INSTRUCTIONS

20.



FOR PROPANE MODELS ONLY.

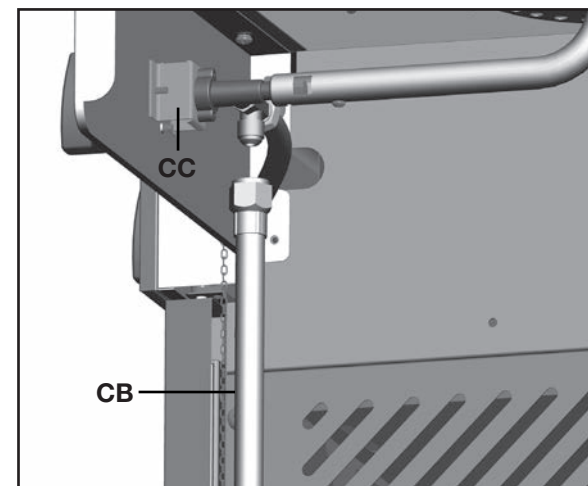
For natural gas model, follow step 21.

- Position the Regulator Hose (CB) through the hole in the Right Side Panel (EB).
- Position the 20 lb propane tank onto the Bottom Shelf (EC), and secure using the Bolt (F4) (already attached) located on the underside of the Bottom Shelf, as shown in figure B.
- Attach the regulator coupling nut to the LP cylinder valve. Be careful not to cross thread. Hand tighten only.
- Perform Leak Test. See page 5 of the Cuisinart® Safety and Care Manual.

▲ ATTENTION: For your families safety, do not attempt to light this BBQ until you have reviewed pages 4-7 of the Cuisinart® Safety & Care Manual.
All Safety and Leak Test MUST BE PERFORMED BY THE END USER, prior to lighting this BBQ.

▲ WARNING Do not store extra propane tanks within BBQ cart.

21.



FOR NATURAL GAS MODEL ONLY.

- Attach the Natural Gas Hose (CB) to the Side Burner Valve (CC) as shown.
- Perform Leak Test. See page 6 of the Cuisinart® Safety and Care Manual.

▲ ATTENTION: In order to complete installation of your Natural Gas BBQ a 1/2" or 3/8" adapter may be required to connect your BBQ's Natural Gas hose to your home gas supply. Contact your Natural Gas supplier to purchase the necessary part.

Cuisinart®

Visit www.cuisinartbbqs.com
to complete product registration.