

This Owner's Manual is provided and hosted by [Appliance Factory Parts](#).



# HUNTINGTON 6565-84 Owner's Manual

[Shop genuine replacement parts for HUNTINGTON  
6565-84](#)



[Find Your HUNTINGTON Grill Parts - Select From 154 Models](#)

----- Manual continues below part list -----

## Available Replacement Parts for HUNTINGTON 6565-84

<a href="#">18013</a>	LARGE PROBE HEAT INDICATOR
<a href="#">S21124</a>	SCREW PHCP #8 X 12 +
<a href="#">Y-12220</a>	S/B BUSHING SB 1.375 16 HEY
<a href="#">PF2011-29</a>	PUSH BUTTON IGNITER, 4 WIRE
<a href="#">S15263</a>	ROTISSERIE BUSHING
<a href="#">S15299</a>	WASHER COUNTERWEIGHT ROTIS
<a href="#">S15270</a>	ROTISSERIE COUNTERWEIGHT ASSY
<a href="#">S15271</a>	ROTISSERIE HANDLE +
<a href="#">Y-11987</a>	BOLT CARRIAGE 1/4-20x1.25 UNC+
<a href="#">18433</a>	OEM FLAV R WAVE - REGAL/IMPERIAL
<a href="#">10342-246</a>	IGNITOR ELECTRONIC TRIPLE +
<a href="#">29005-034</a>	VALVE ASSEMBLY 4V+SB LP +
<a href="#">22005-434</a>	CONTROL COVER - 5 KNOB
<a href="#">22005-474</a>	CONTROL COVER 6 KNOBS +
<a href="#">Y-12223</a>	MAGNET SNAP IN - DOOR
<a href="#">Y-12222</a>	MAGNET - DOOR
<a href="#">23000-253</a>	SIDE BURNER LID IR SS
<a href="#">23000-271</a>	SIDE BURNER BODY BASE
<a href="#">22009-901</a>	GREASE PAN FORMED +
<a href="#">10342-E13</a>	ELECTRODE W/WIRE
<a href="#">10342-T18</a>	WIRE ELECTRODE S/B 600 +
<a href="#">99041</a>	heat plate, ss, 17.5625 x 6.3125
<a href="#">27005-91</a>	FIREBOX-HEAT SHIELD 500 4V .5 GALVALUM C
<a href="#">22005-991</a>	WARMING RACK PORC COATED 500
<a href="#">20809-957</a>	REAR BURNER TUBE ASSMBLY W/COMP. FITTING
<a href="#">10693-109</a>	ORIFICE SPUD RB 1.09MM 5/16 32
<a href="#">S15245</a>	ROTIS MOTOR-220V AC +
<a href="#">10240-20</a>	DOOR PIN TOP
<a href="#">10240-19</a>	DOOR PIN BOTTOM
<a href="#">29005-074</a>	CONTROL ASSY 500 LP 4V SB RB

<a href="#">29005-077</a>	CONTROL ASSY 4V S/B R/B NG
<a href="#">22005-413</a>	CONTROL COVER 4V MAIN 430SS
<a href="#">29005-014</a>	CONTROL ASSEMBLY 4V LP
<a href="#">29005-017</a>	CONTROL ASSEMBLY 4V NG
<a href="#">27055-901</a>	GREASE TRAY PORC FORMED 440 +
<a href="#">21175-111A</a>	DOOR ASSEMBLY RIGHT BLACK
<a href="#">21475-138</a>	DOOR HANDLE RESIN
<a href="#">23009-608</a>	SHELF STRAP RESIN W/SS STRIP +
<a href="#">23100-654</a>	SIDE SHELF INSERT LHS 430SS +
<a href="#">22275-114A</a>	DOOR ASSEMBLY RHS SS (NO HNDL)
<a href="#">67845</a>	grid, ci, 19.1875 x 30.3125; Master Forg
<a href="#">11229</a>	EXACT FIT CAST GRID - REGAL/IMPERIAL
<a href="#">10693-160</a>	ORIFICE SPUD 1.60MM 5/16-32
<a href="#">00475</a>	heat indicator
<a href="#">21039-911</a>	CASTER BRACKET BLACK
<a href="#">S15256</a>	SPIT ROD ROTISSERIE 31 INCH
<a href="#">20005-000</a>	HARDWARE BAG STICK & CHAIN SS
<a href="#">10892-23</a>	CASTER RUBBER 3 INCH W/PLATE
<a href="#">44089-60</a>	NAMEPLATE PATRIOT
<a href="#">18633</a>	BURNER - REGAL/IMPERIAL
<a href="#">82315-021</a>	COOKBOX 500 HOOD PANEL PORC
<a href="#">21175-131A</a>	DOOR ASSEMBLY LEFT BLACK
<a href="#">86101-631</a>	LID END CAP LHS METALLIC BLACK
<a href="#">86101-611</a>	LID END CAP RHS METALLIC BLACK
<a href="#">54009-936</a>	HANDLE BEZEL - CHROME
<a href="#">SP11-25</a>	STOP BUMPER - SILICONE
<a href="#">80012</a>	regulator and hose READ ADD. INFO
<a href="#">10342-245</a>	IGNITOR ELECTRONIC DUAL +
<a href="#">08032</a>	BURNER CROSSOVER BAR, SS
<a href="#">04831</a>	ELECTRODE WITH WIRE
<a href="#">21335-115</a>	TOP MAGNET-BRACKET 500 BLK CHR
<a href="#">82305-021R</a>	FIREBOX 500 REAR PANEL PNTD W/RIVNUTS
<a href="#">50502</a>	HEAVY DUTY MEAT FORKS

<a href="#">10390-R81A</a>	SIDE BURNER ASSY
<a href="#">86305-611</a>	LID OUTER 500 BLACK
<a href="#">23009-99</a>	SIDE BURNER TRIVET CI
<a href="#">17000</a>	CONTROL KNOB - SMALL BLACK
<a href="#">17010</a>	CONTROL KNOB RESIN LRG BLACK
<a href="#">10111-K45</a>	HOSE 3/8 INCH ASSEMBLY NG 10 FOOT +
<a href="#">Y-11990</a>	NUT HEX BRASS 3/8 27 RB LINE
<a href="#">10342-247</a>	IGNITOR ELECTRONIC +
<a href="#">21071-13</a>	DOOR HANDLE 500 GPB
<a href="#">22001-168</a>	CONTROL KNOB BEZEL SML
<a href="#">22002-268</a>	CONTROL KNOB BEZEL LARGE
<a href="#">24005-12AB</a>	LID-HANDLE BENT,
<a href="#">21035-991</a>	GREASE RAIL 440/500 SABLE BLK
<a href="#">27905-354</a>	BURNER TUBE REAR 500 W/WINDSHIELD
<a href="#">27249-904</a>	GREASE SHIELD MODULAR, 6.5 x 6
<a href="#">22025-903</a>	COLLECTOR BOX ASSY 500 430SS
<a href="#">23101-613</a>	SIDE SHELF - RIGHT SS430

# HUNTINGTON™

## REDDI-BILT BARBECUES

ASSEMBLY MANUAL & PARTS LIST

MANUEL DE MONTAGE & LISTE DE PIÈCES



HUNTINGTON™

6561-54  
6561-57



HUNTINGTON™

6561-64  
6561-67



HUNTINGTON™

6561-84  
6561-87



HUNTINGTON™

6565-84  
6565-87

RETAIN FOR FUTURE REFERENCE

VEUILLEZ CONSERVER POUR REFERENCE ULTERIEURE

1-800-265-2150

info@omcbbq.com

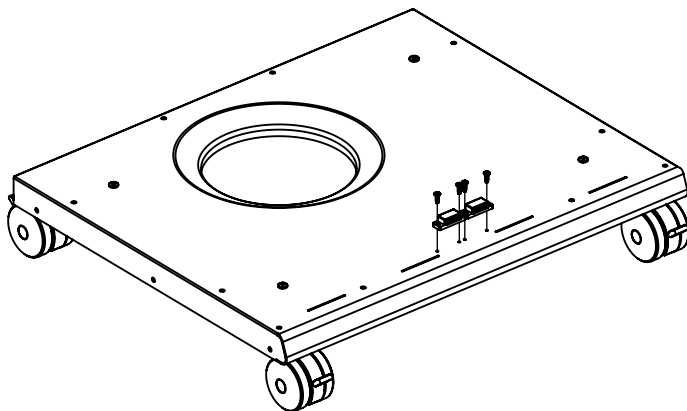
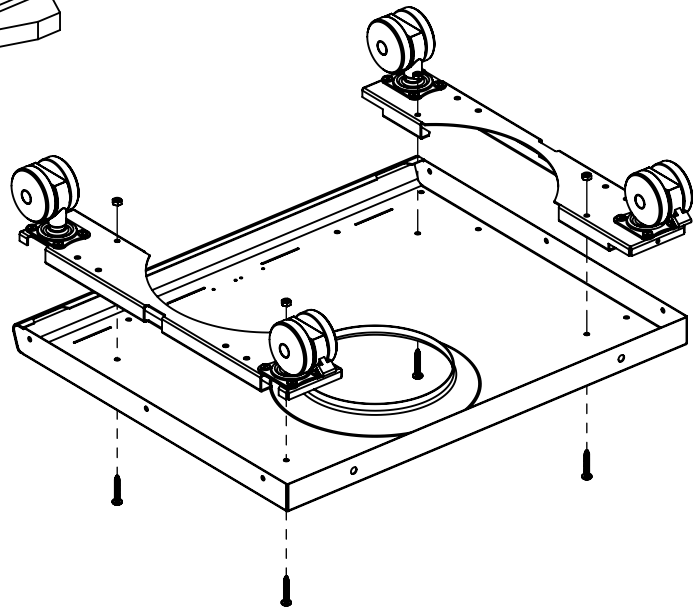
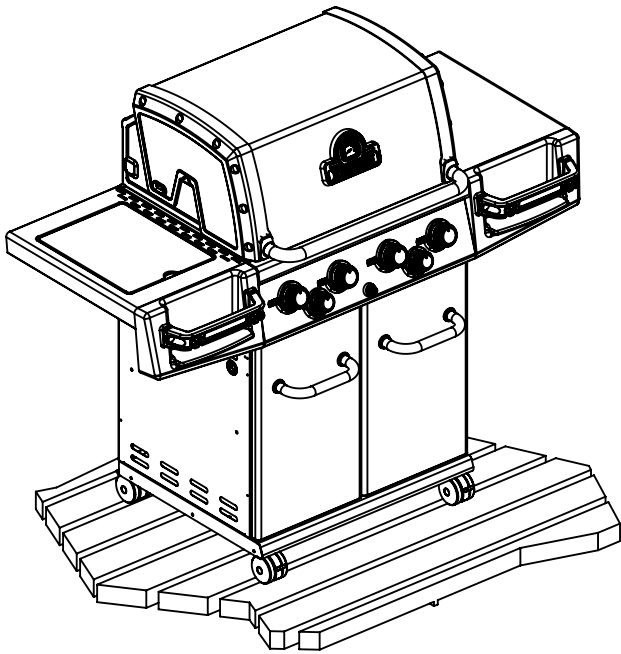
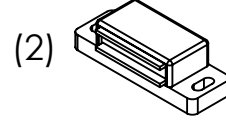
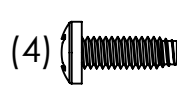
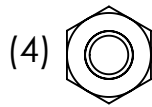
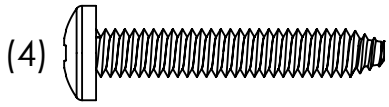
*Onward*  
MANUFACTURING COMPANY

SINCE 1906

1000 EAST MARKET STREET  
HUNTINGTON, INDIANA, 46750, USA

20084-E80 REV A 01/12

1

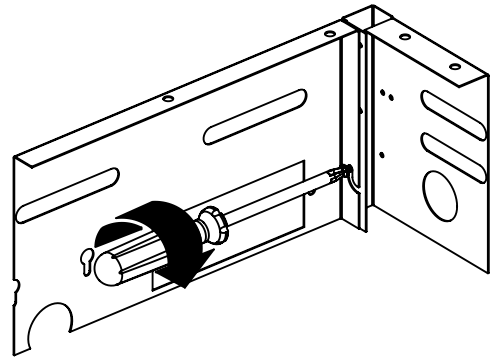
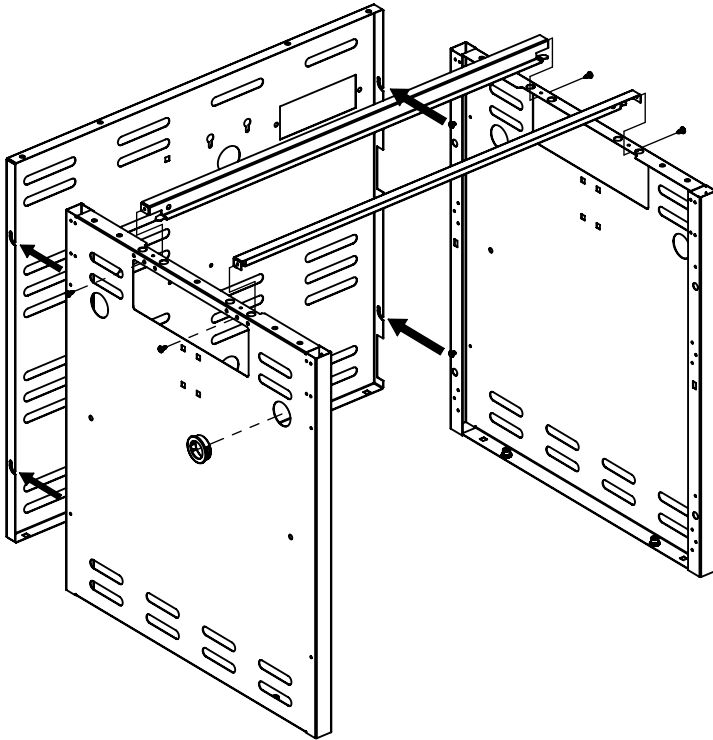
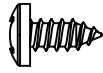


**2**

(1)



(4)

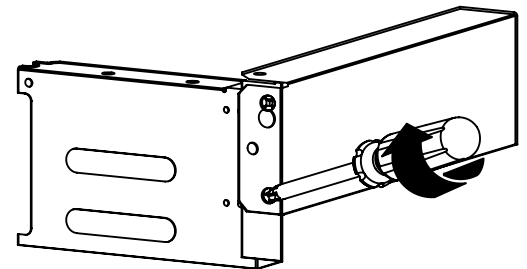
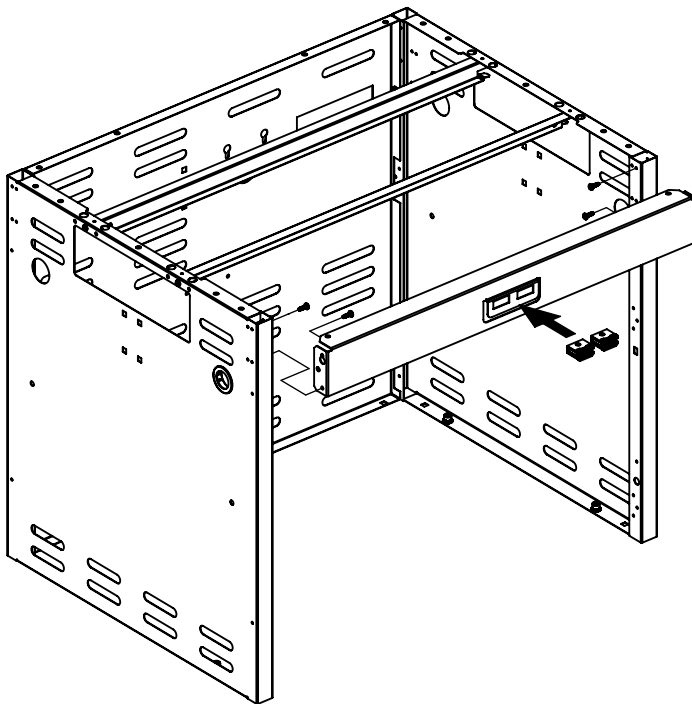
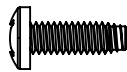


**3**

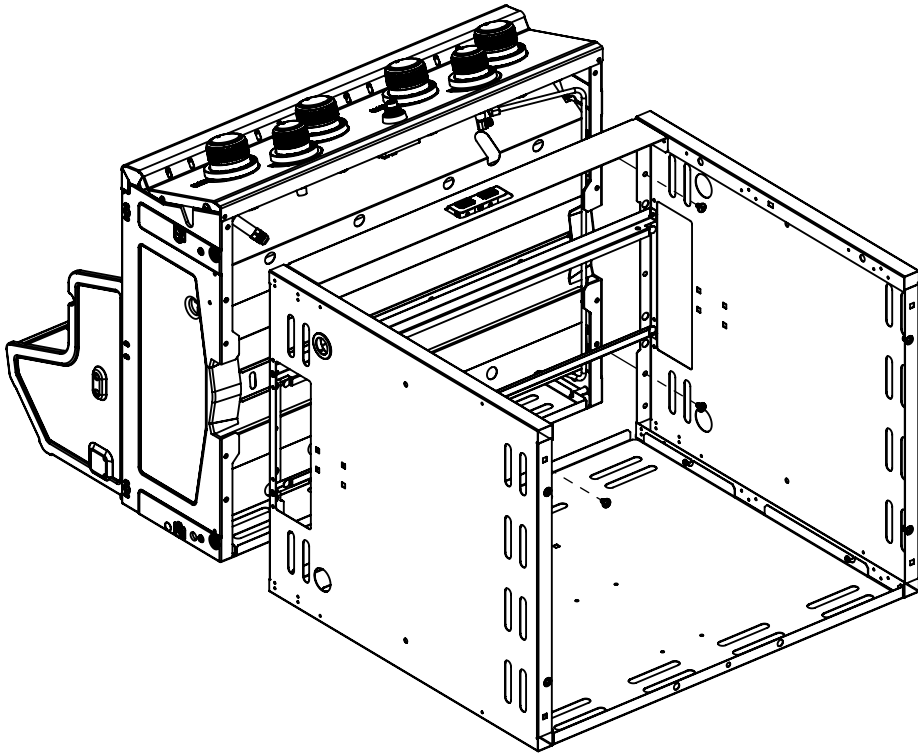
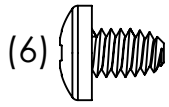
(2)



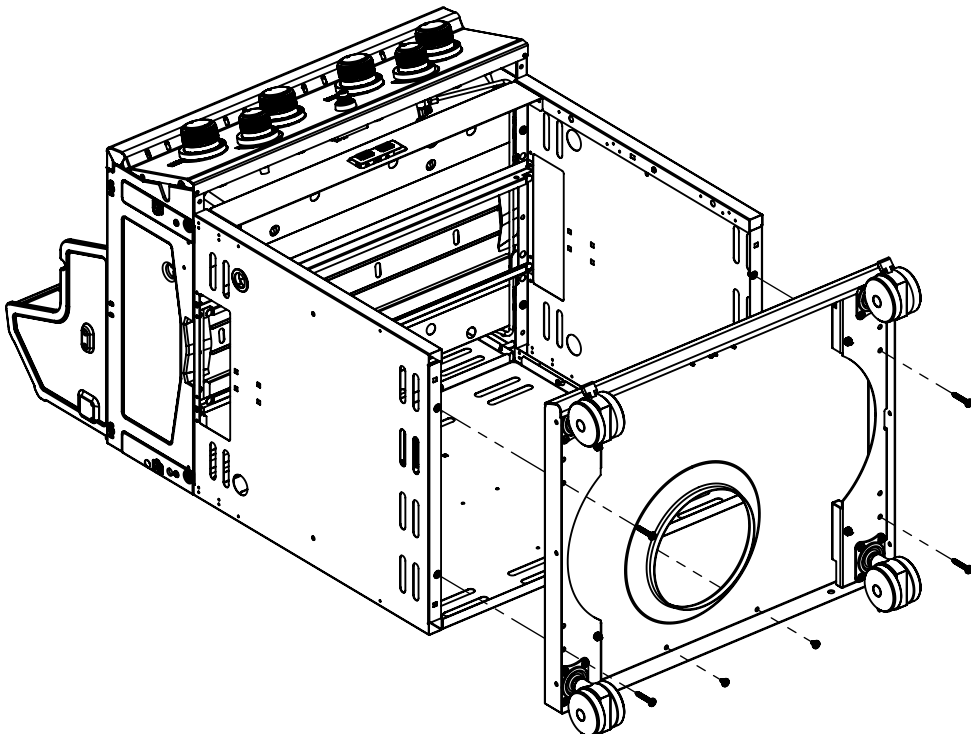
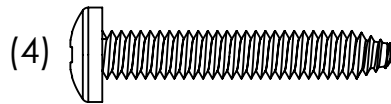
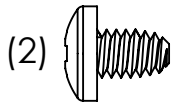
(2)



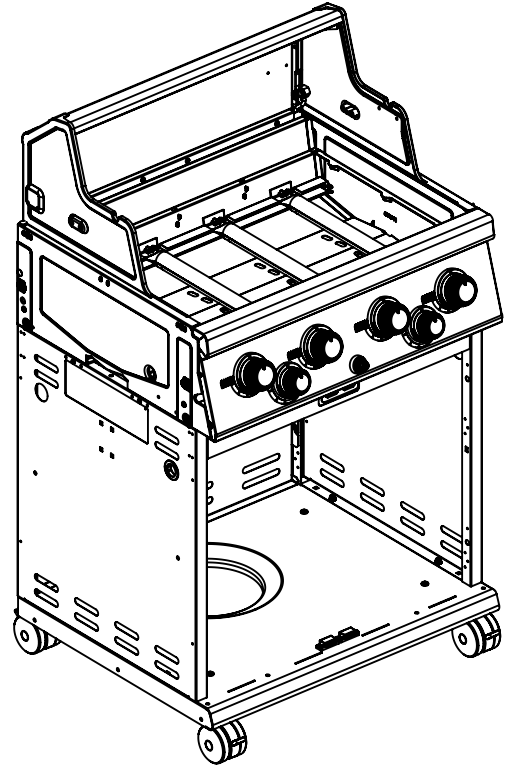
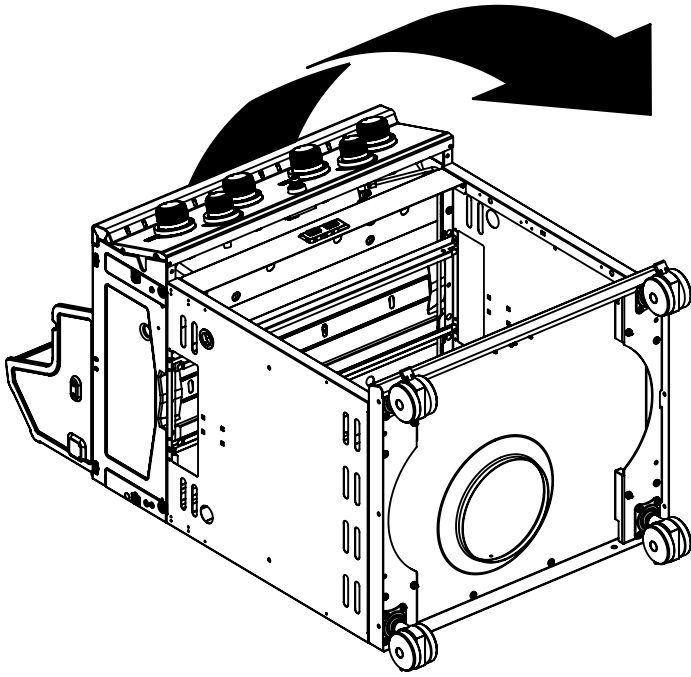
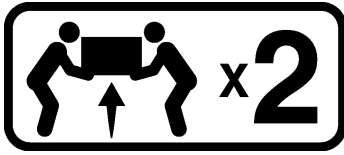
4



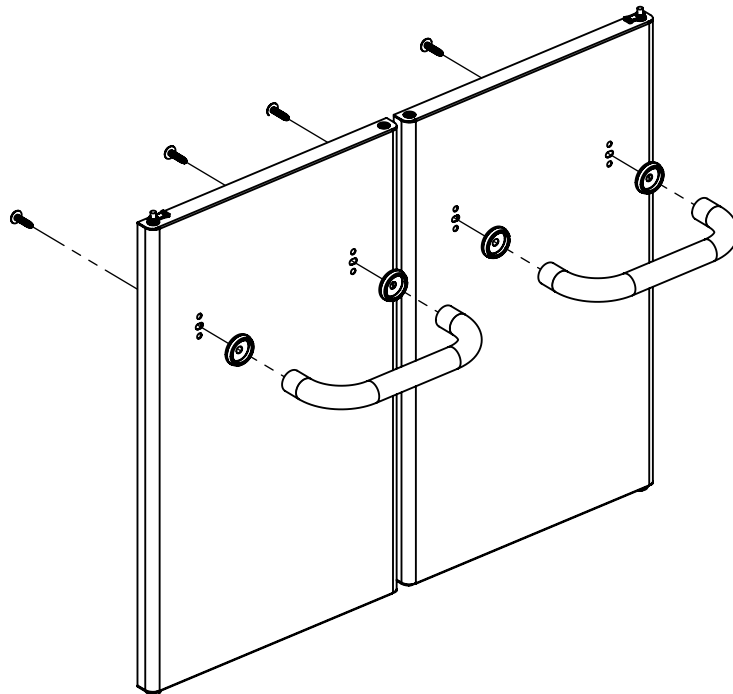
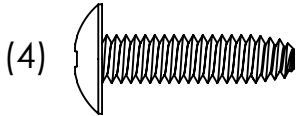
5



6

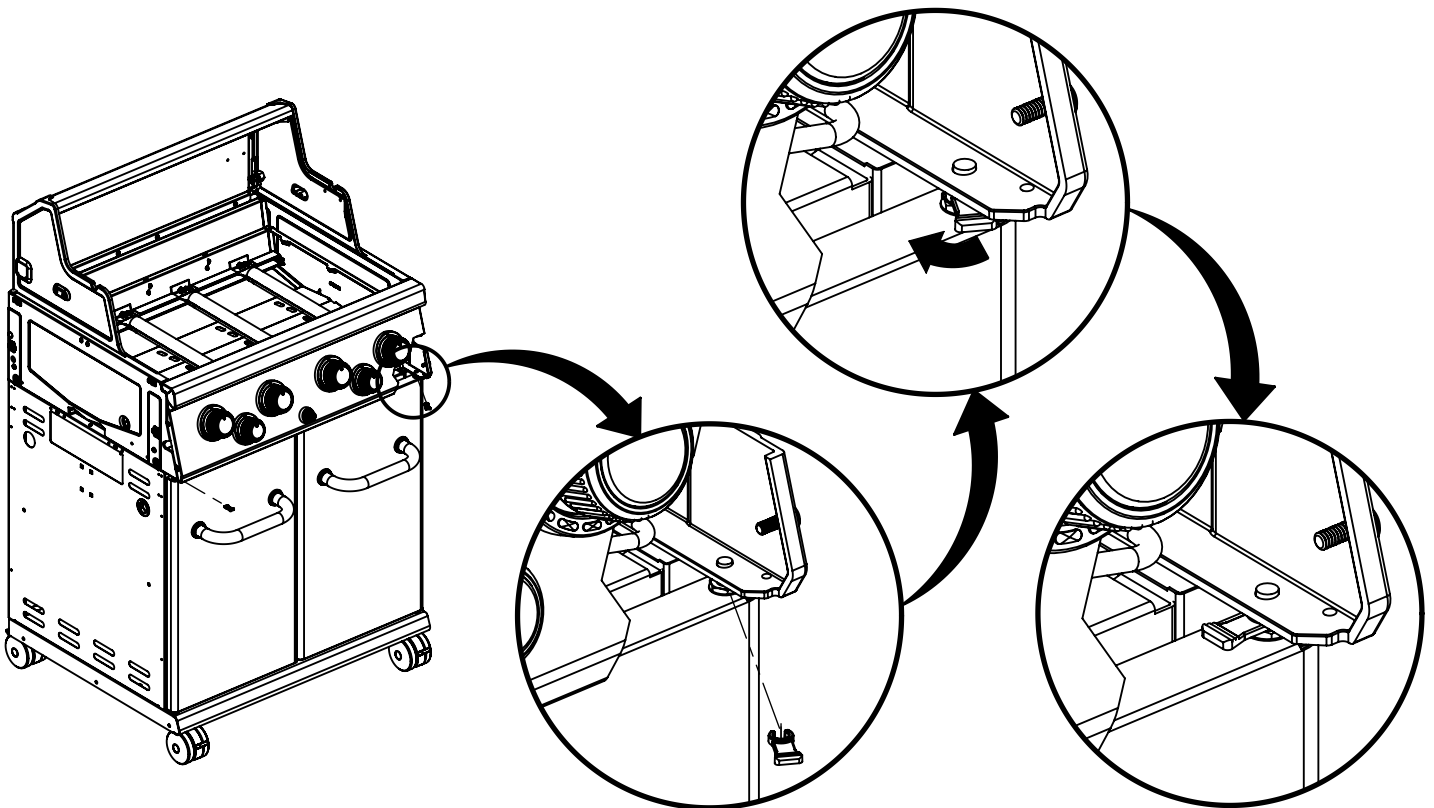
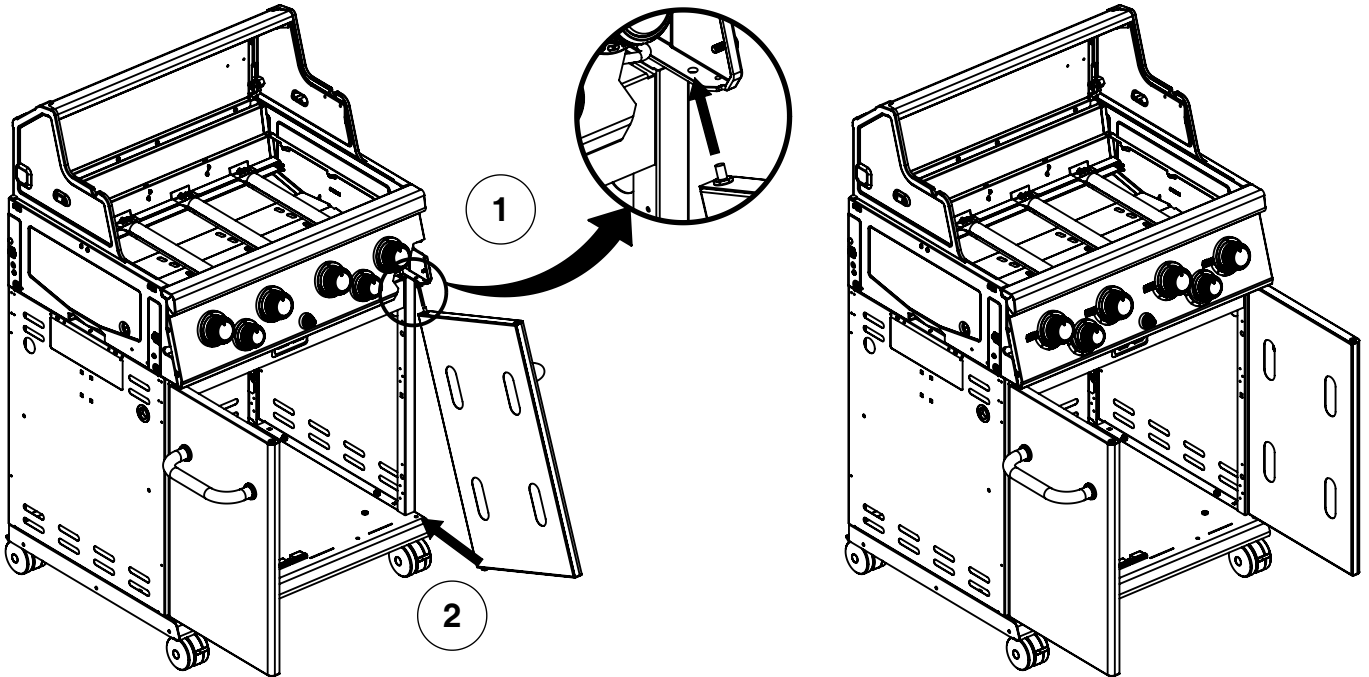
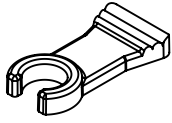


7

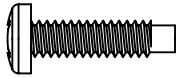


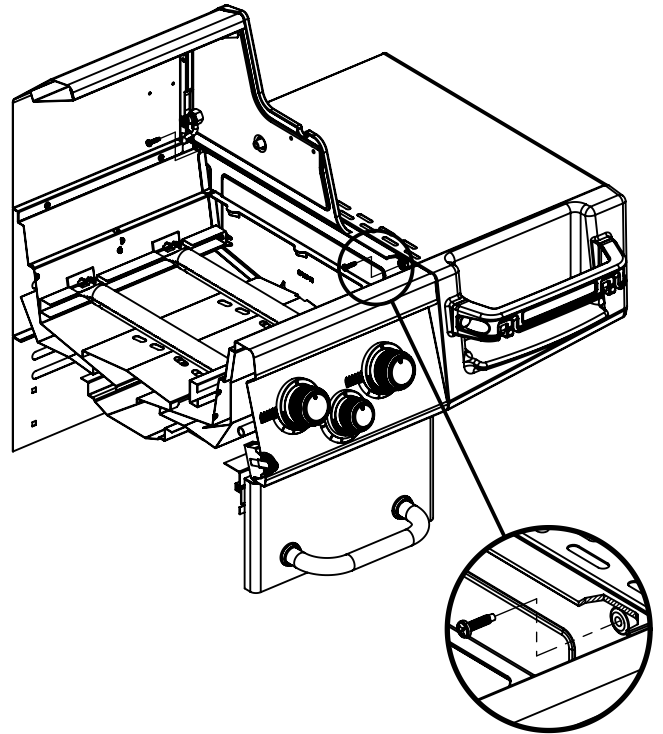
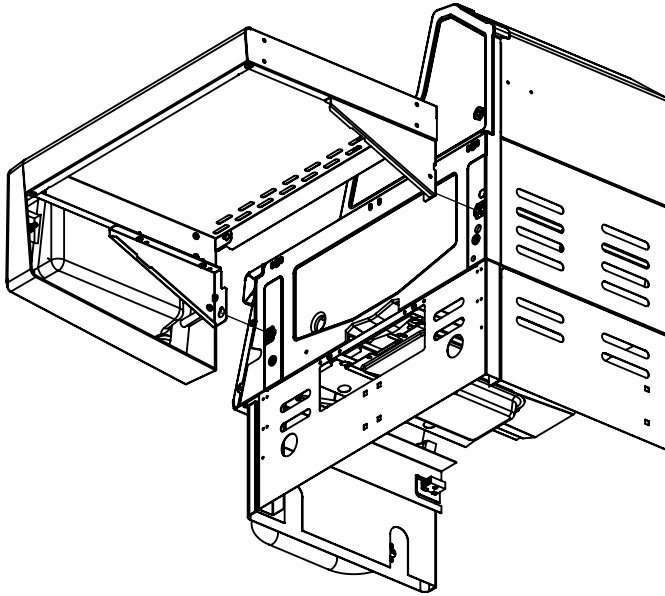
8

(2)

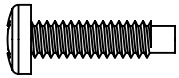


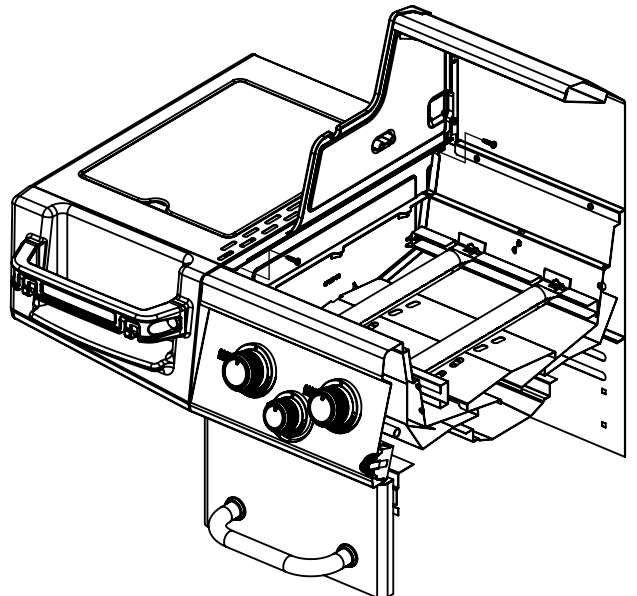
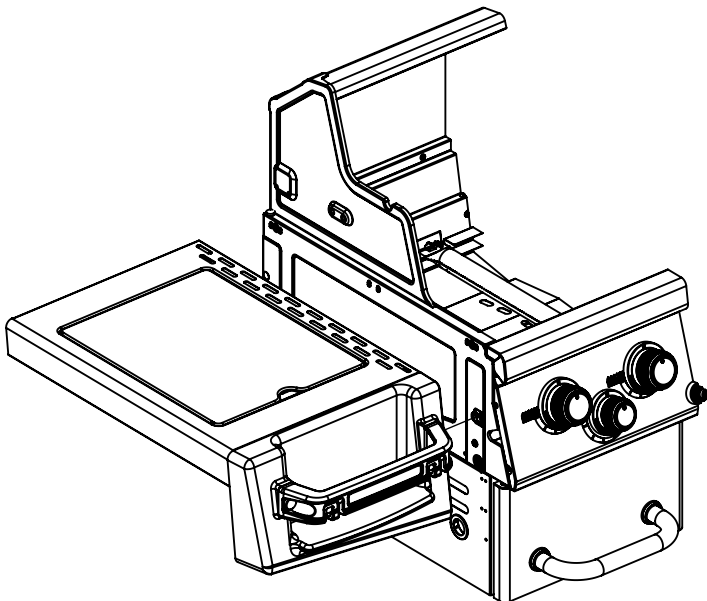
9

(2) 



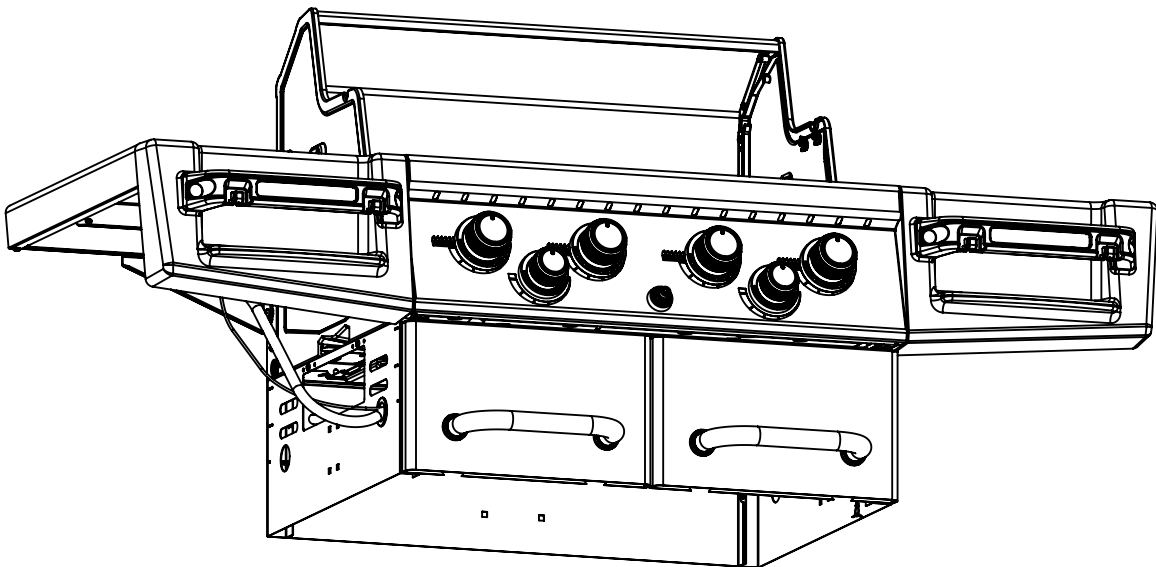
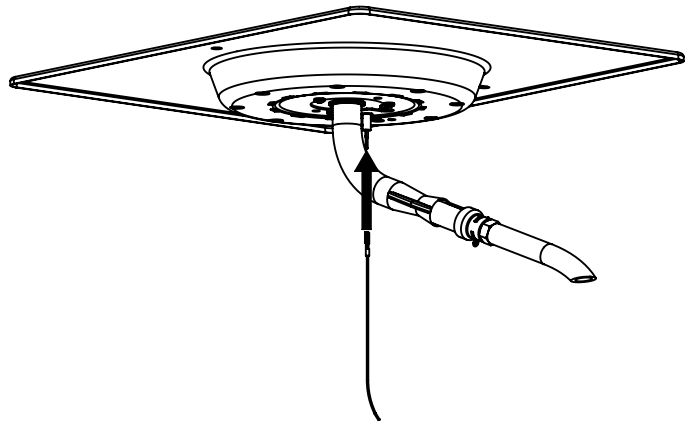
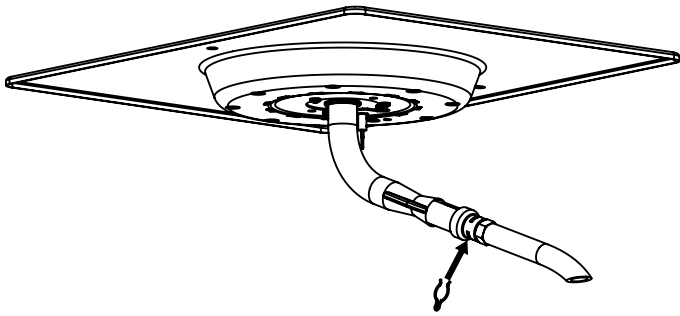
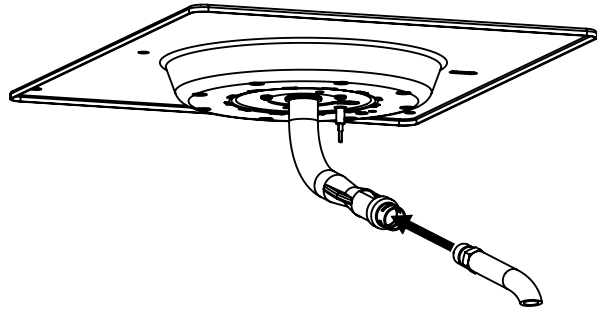
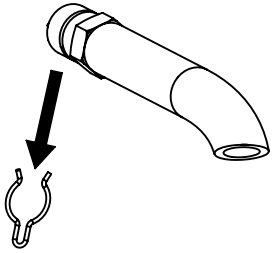
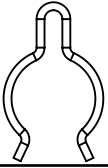
10

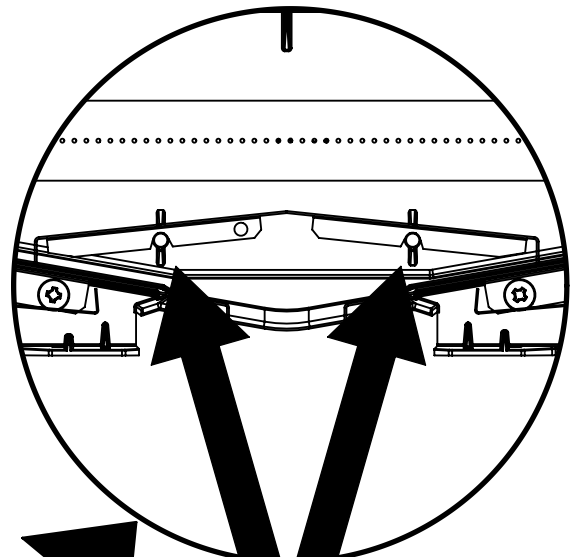
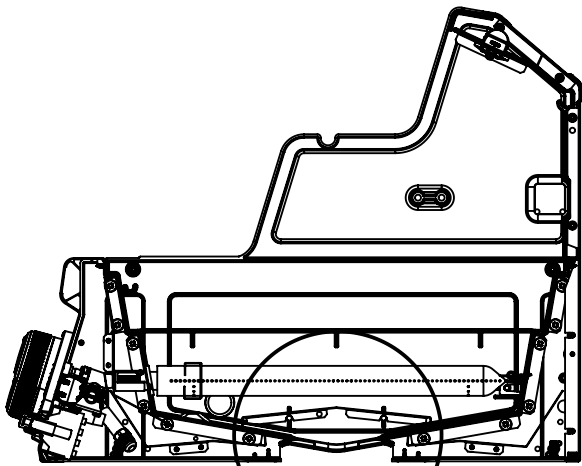
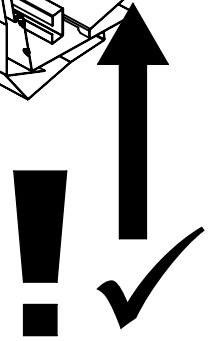
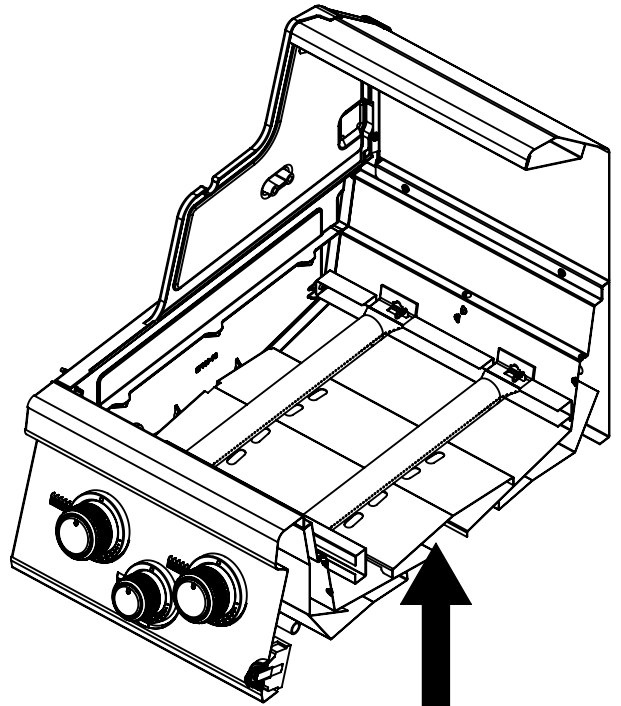
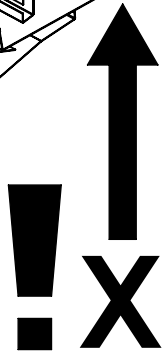
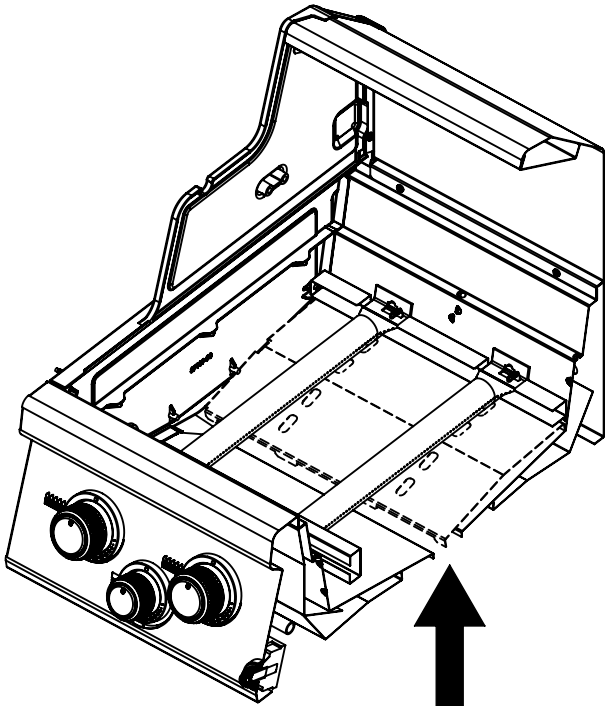
(2) 



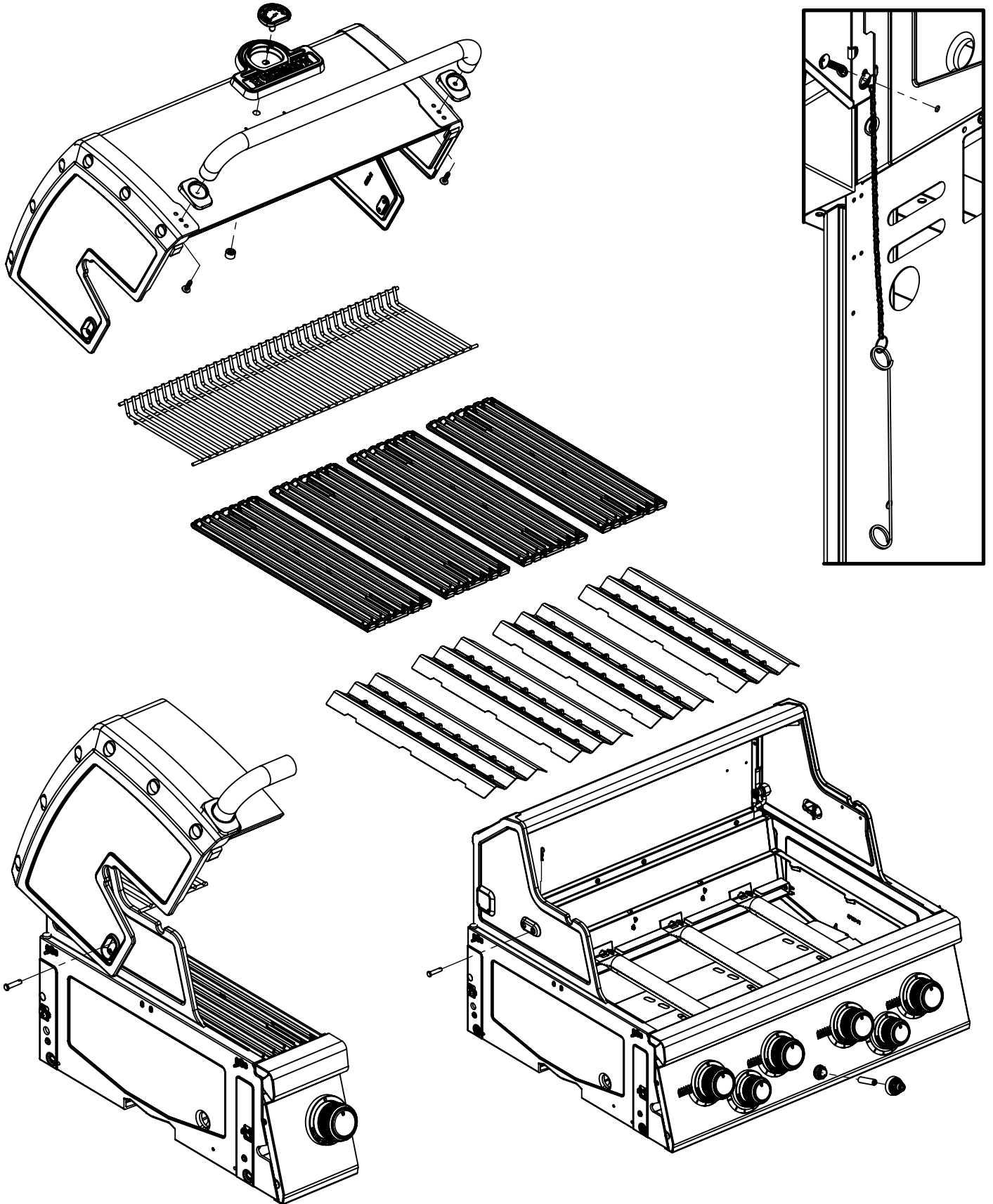
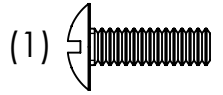
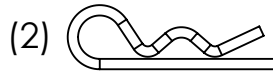
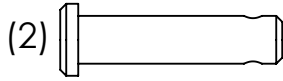
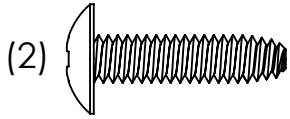
11

(1)

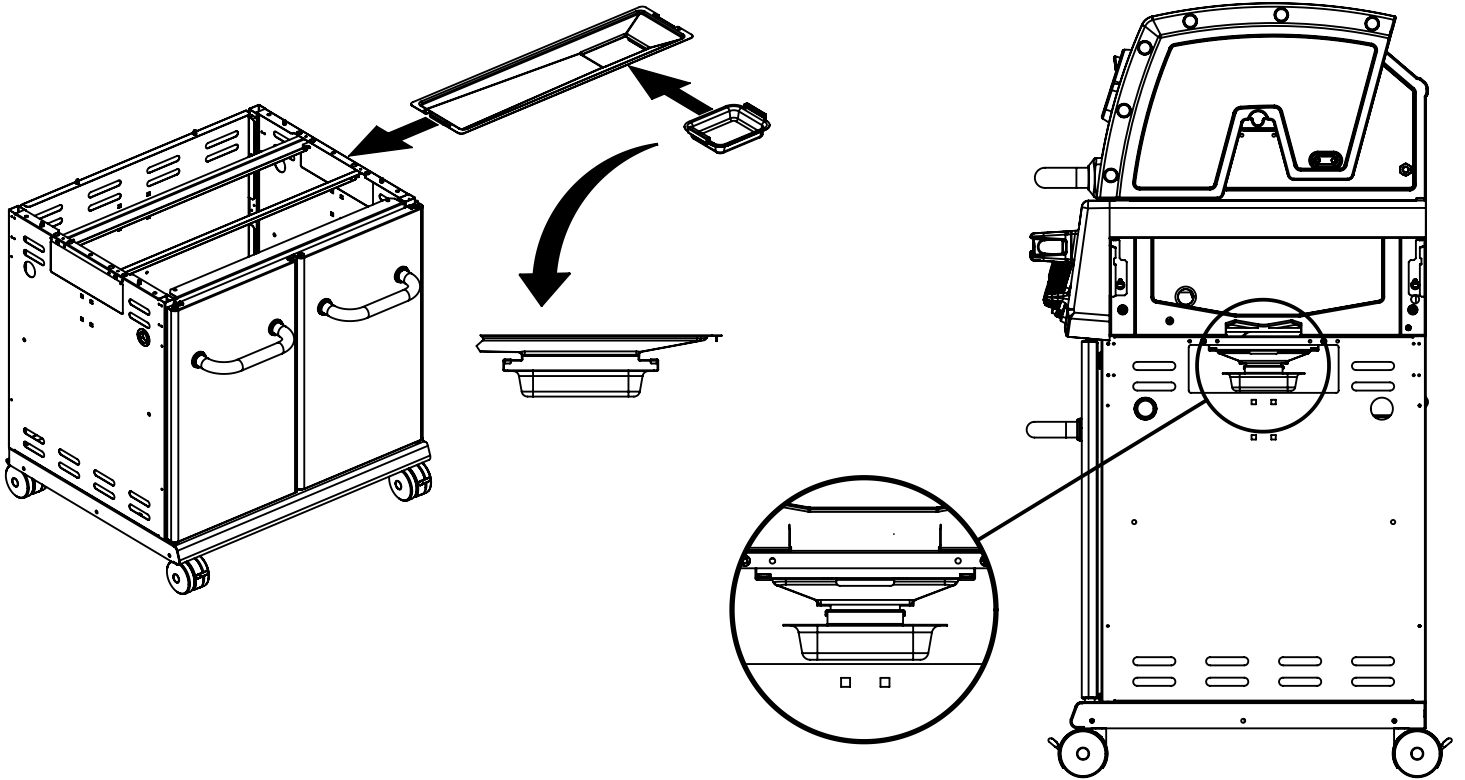




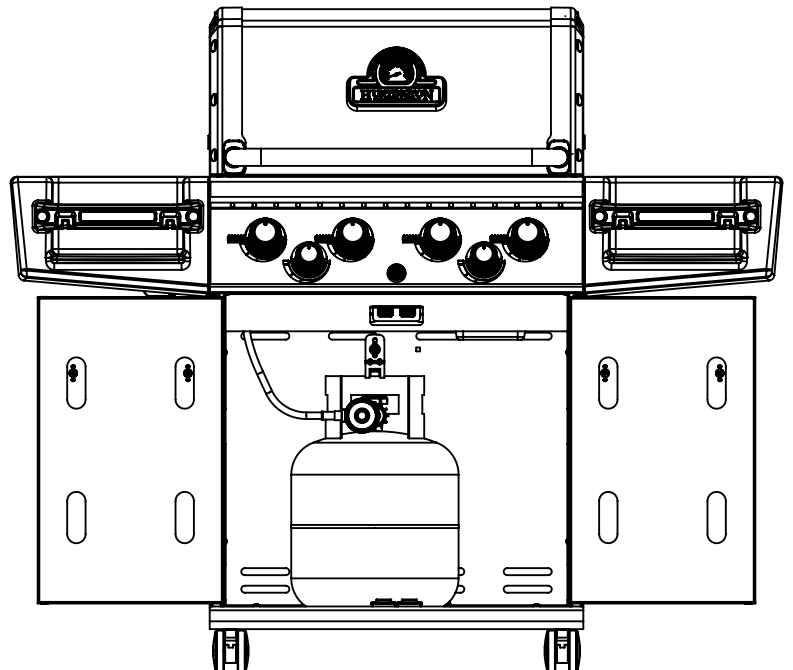
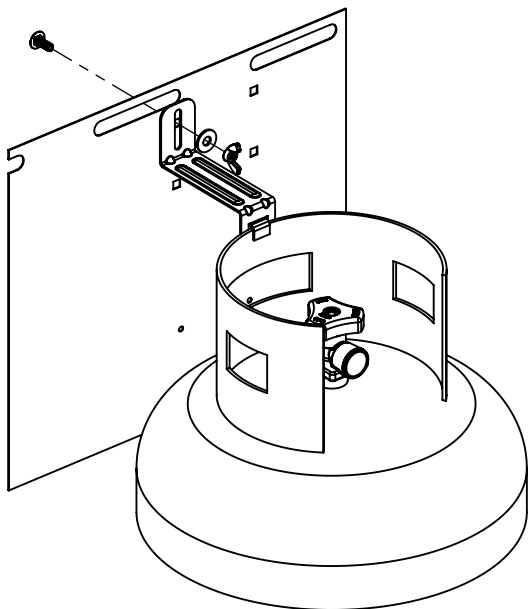
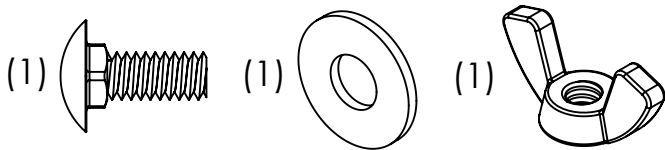
13



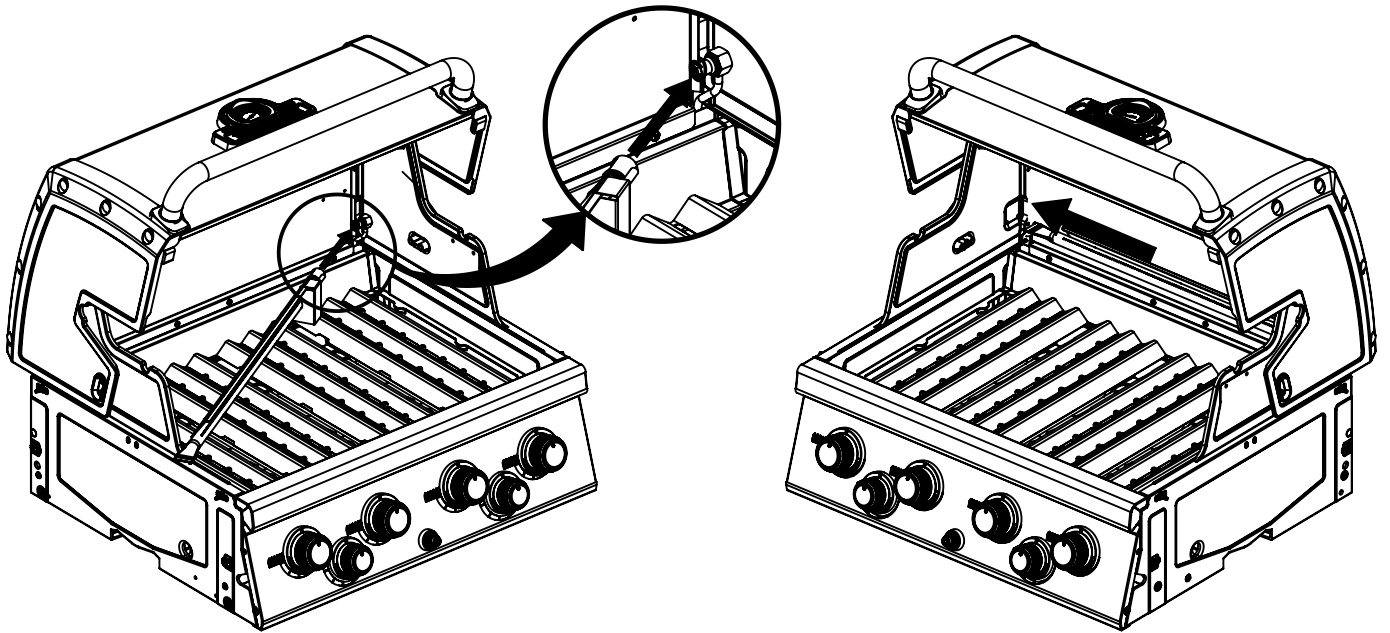
14



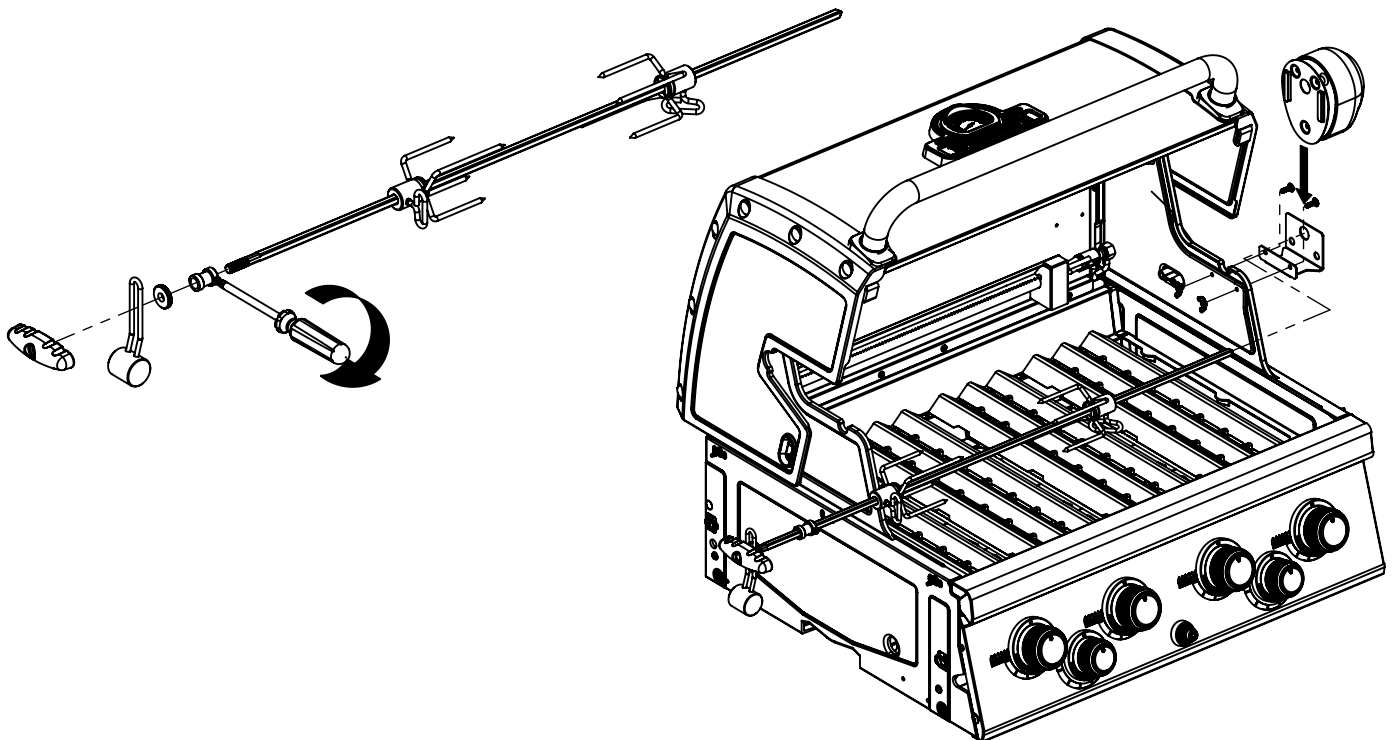
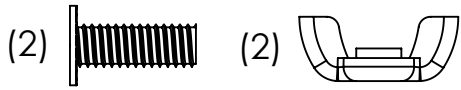
15



16



17





## PARTS LIST / LISTE DES PIECES

KEY #	ITEM #	DESCRIPTION	DESCRIPTION	6561-54	6561-57	6561-64	6561-67	6561-84	6561-87	6565-84	6565-87
71	21070-13	BEZEL - HANDLE	MONTURE DE POIGNÉE	4	4	4	4	4	4	4	4
78	21335-115	BRACKET - DOOR CATCH	PARENTHÈSE - CROCHET DE PORTE	1	1	1	1	1	1	1	1
80	21109-905R	SIDE PANEL	PANNEAU LATÉRALE	2	2	2	2	2	2	2	2
88	21305-925R	PANEL - REAR	PANNEAU - ARRIÈRE	1	1	1	1	1	1	1	1
90	51795-945	BASE	TABLETTE INFÉRIEURE	1	•	1	•	1	•	1	•
	51795-955	BASE	TABLETTE INFÉRIEURE	•	1	•	1	•	1	•	1
100	21039-911	BRACKET – CASTOR SUPPORT	SUPPORT DE ROULETTE	2	2	2	2	2	2	2	2
102	10892-23	CASTOR	ROULETTES	4	4	4	4	4	4	4	4
103	21009-905	TANK BRACKET	SUPPORT DU RESERVOIR	1	•	1	•	1	•	1	•
110	23030-635	SHELF BRACKET	CROCHETS PLATEAU	2	2	2	2	2	2	2	2
111	23030-615	SHELF BRACKET	CROCHETS PLATEAU	2	2	2	2	2	2	2	2
112	20409-934	STRAP - HANDLE	COURROIE - POIGNÉE	2	2	2	2	2	2	2	2
114	23101-614	SHELF	PLANCHETTE LATÉRALE	2	2	1	1	1	1	1	1
115	23100-654	SHELF	PLANCHETTE LATÉRALE	•	•	1	1	1	1	1	1
116	23401-631	SHELF FRONT	PLANCHETTE FRONTALE	1	1	1	1	1	1	1	1
116A	23401-611	SHELF FRONT	PLANCHETTE FRONTALE	1	1	1	1	1	1	1	1
117	23009-608	HANDLE	POIGNEE	2	2	2	2	2	2	2	2
124	23000-271	SIDE BURNER BODY	SUPPORT DE BRULEUR DE COTE	•	•	1	1	1	1	1	1
125	23000-254	SIDE BURNER COVER	COUVERCLE LATÉRAL	•	•	1	1	1	1	1	1
126	23909-20	SIDE BURNER	BRULEUR DE COTE	•	•	1	1	1	1	1	1
128	23009-98	GRID	GRILLE	•	•	1	1	1	1	1	1
130	27905-354	BURNER ROTISSERIE	BRÛLEUR DE TOURNEBROCHE	•	•	•	•	1	1	1	1
131	10693-109	REAR BURNER-ORIFICE	ORIFICE DU BRÛLEUR ARRIÈRE	•	•	•	•	1	•	1	•
	10693-160	REAR BURNER-ORIFICE	ORIFICE DU BRÛLEUR ARRIÈRE	•	•	•	•	•	1	•	1
133	S15271	HANDLE	POIGNEE	•	•	•	•	1	1	1	1
134	S15270	BALANCER	CONTREPOIS	•	•	•	•	1	1	1	1
135	S15299	WASHER	RONDELLE	•	•	•	•	1	1	1	1
136	S15263	BUSHING	COL	•	•	•	•	1	1	1	1
137	S15256	SPIT ROD	BROCHETTE	•	•	•	•	1	1	1	1
138	S15287	4 PRONG FORKS	FOURCHETTE A 4 FOURCHON	•	•	•	•	2	2	2	2
139	27039-901	ROTISSERIE BRACKET	SUPPORT	•	•	•	•	1	1	1	1
140	S21125	SCREW #8 X 1/2	VIS #8 X 1/2	18	18	18	18	18	18	18	18
141	Y-12860	BOLT - 1/4-20 X 1	BOULON 1/4-20 X 1	6	6	6	6	6	6	6	6
143	Y-12855	BOLT 1/4-20 X 3/8	BOULON 1/4-20 X 3/8	52	52	52	52	52	52	52	52
144	Y-12220	BUSHING	DOUILLE	•	•	1	1	1	1	1	1
145	S21235	HINGE PIN	GOUPILLE DE CHARNIÈRE	2	2	2	2	2	2	2	2
146	S21233	HITCH PIN CLIP	ATTACHE DE CHEVILLE	2	2	2	2	2	2	2	2
147	Y-11231	LID BUMPER	BUTOIR DU COUVERCLE	2	2	2	2	2	2	2	2
147A	SP11-25	LID BUMPER	BUTOIR DU COUVERCLE	2	2	2	2	2	2	2	2
148	10240-20	DOOR PIN	GOUPILLE DE LA PORTE	1	1	1	1	1	1	1	1
149	10240-19	DOOR PIN	GOUPILLE DE LA PORTE	1	1	1	1	1	1	1	1
150	Y-12124	DOOR PIN CAP	DISTANZHALTERUNG	1	1	1	1	1	1	1	1
152	Y-12222	MAGNET	AIMANT	2	2	2	2	2	2	2	2
153	Y-12223	SNAP IN MAGNET	AIMANT	2	2	2	2	2	2	2	2
154	Y-11560	SCREW 1/4-20 X 1-1/2	VIS 1/4-20 X 1-1/3	4	4	4	4	4	4	4	4
155	S21124	SCREW #8 X 1/2	VIS #8 X 1/2	14	14	15	15	16	16	16	16
156	Y-11793	NUT 1/4-20	ECROU 1/4-20	20	20	20	20	20	20	20	20
157	Y-12835	SCREW #6-32 X 1/4	VIS #6-32 X 1/5	•	•	3	3	3	3	3	3
158	Y-12646	SCREW SHOULDER #8 X 1/2	VIS SHOULDER #8 X 1/3	•	•	2	2	2	2	2	2
160	Y-29304	BOLT #10-24 X 3/8	BOULON #10-24 X 3/8	35	35	35	35	35	35	35	35
161	Y-29310	BOLT #10-24 X 3/4	BOULON #10-24 X 3/4	4	4	4	4	4	4	4	4
163	S35094	SCREW #10-24 X 5/8	VIS #10-24 X 5/8	13	13	13	13	13	13	13	13
165	Y-12127	DOOR PIN CLIP	LE TROMBONE D'ÉPINGLE DE PORTE	2	2	2	2	2	2	2	2
167	Y-11987	BOLT 1/4-20 X 1	BOULON 1/4-20 X 1	16	16	16	16	16	16	16	16
169	S21061	WING NUT	ECROU PAPILLON	•	•	•	•	2	2	2	2
171	S15245	MOTOR	MOTEUR	•	•	•	•	1	1	1	1
173	Y-11598	WING NUT - 1/4	ECROU PAPILLON - 1/4	1	•	1	•	1	•	1	•
174	S21255	WASHER	RONDELLE	1	•	1	•	1	•	1	•
175	S21141	CARRIAGE BOLT - 1/4:20 X 5/8	BOULON - 1/4:20 X 5/8	1	•	1	•	1	•	1	•
176	S21362	SPRING	RESSORT	•	•	•	•	1	1	1	1
180	S35095	BOLT #10-24 X 3/8	BOULON #10-24 X 3/8	•	•	•	•	1	1	1	1

