

This Owner's Manual is provided and hosted by [Appliance Factory Parts](#).



# Sterling 5123-67 Owner's Manual

[Shop genuine replacement parts for Sterling 5123-67](#)

***STERLING*** 

[Find Your Sterling Grill Parts - Select From 509 Models](#)

----- Manual continues below part list -----

## Available Replacement Parts for Sterling 5123-67

<a href="#">10802</a>	stainless steel burner
<a href="#">5S672</a>	grid, ss wire, 17.375 x 26.25; Grill Mas
<a href="#">66024</a>	grid, ci, 17.375 x 25.5; Huntington
<a href="#">96021</a>	HEAT PLATE PORCELAIN STEEL
<a href="#">03330</a>	spark generator
<a href="#">00475</a>	heat indicator
<a href="#">16121</a>	BURNER TUBE, EACH SS
<a href="#">04831</a>	ELECTRODE WITH WIRE



## REDI-BILT BARBECUES

ASSEMBLY MANUAL & PARTS LIST

MANUEL DE MONTAGE & LISTE DE PIÈCES



### **STERLING**

5023-64/67  
5123-64/67  
5123-84/87

**broil-mate™**

7123-64/67  
7123-84/87



### **STERLING**

5133-64/67  
5139-84/87

**broil-mate™**

7133-64/67  
7139-84/87

RETAIN FOR FUTURE REFERENCE

VEUILLEZ CONSERVER POUR REFERENCE ULTERIEURE

1-800-265-2150

[info@omcbbq.com](mailto:info@omcbbq.com)

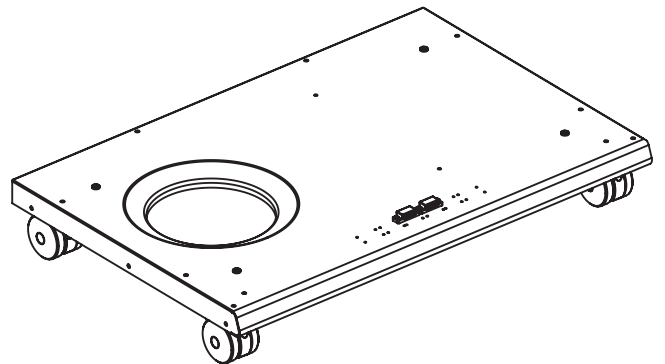
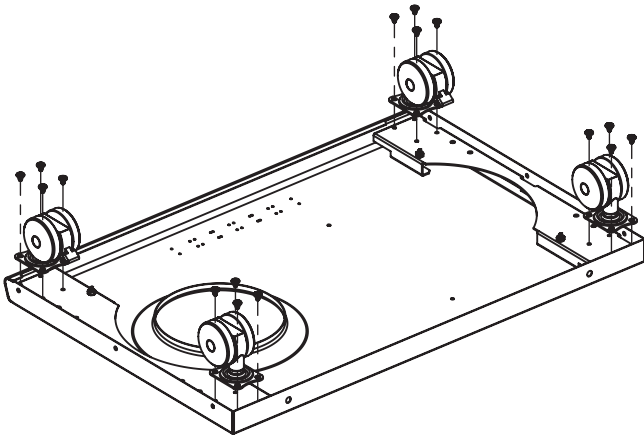
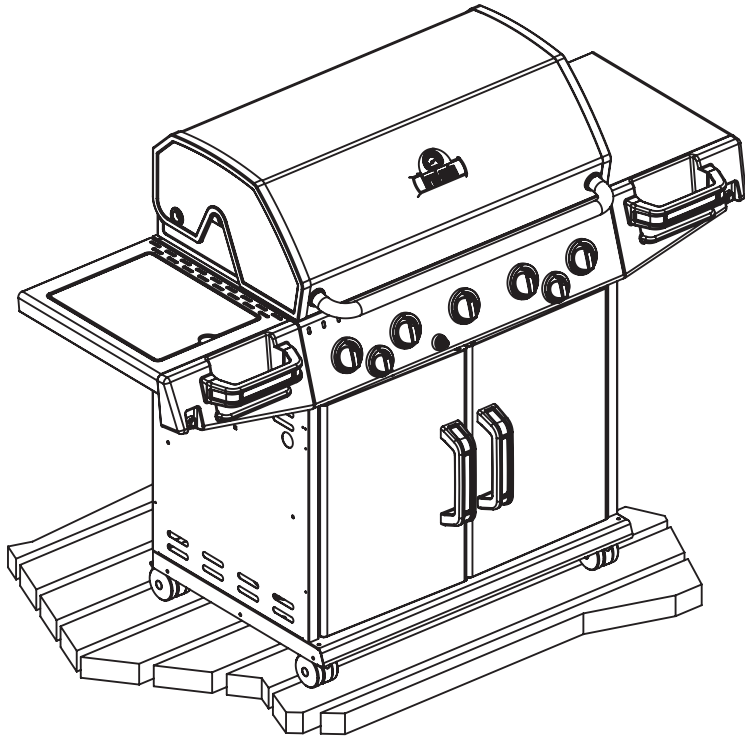
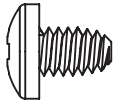
*Onward*  
MANUFACTURING COMPANY  
SINCE 1906  
1000 EAST MARKET STREET  
HUNTINGTON, INDIANA, 46750, USA

20084-E90 REVE 10/11

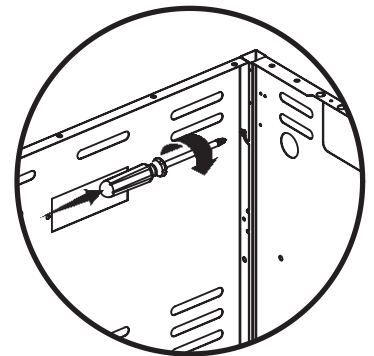
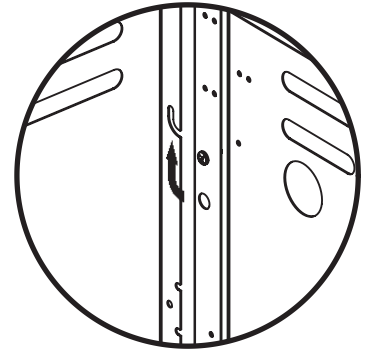
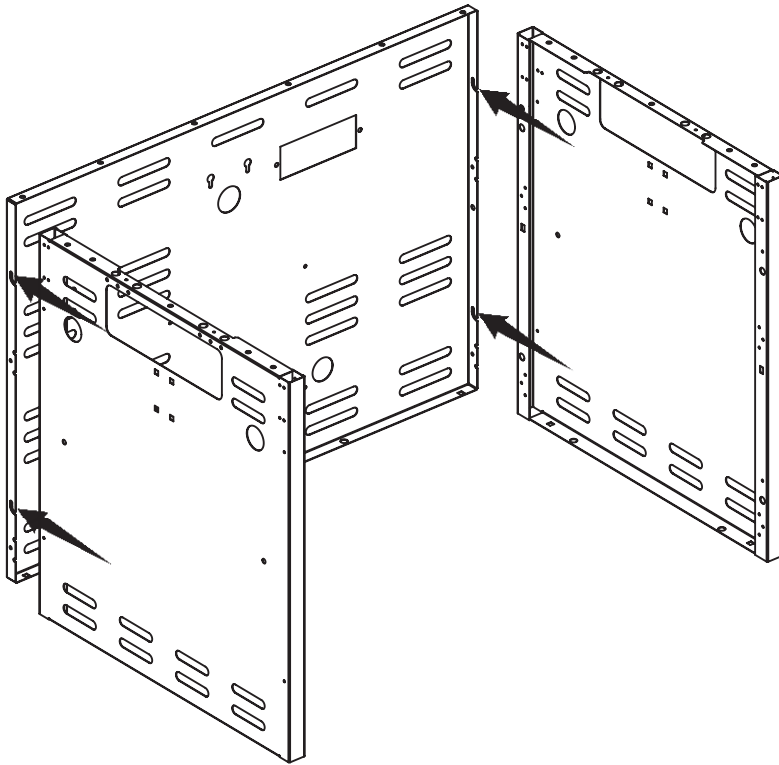


1

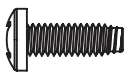
(16)

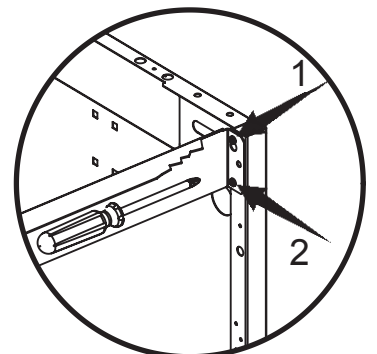
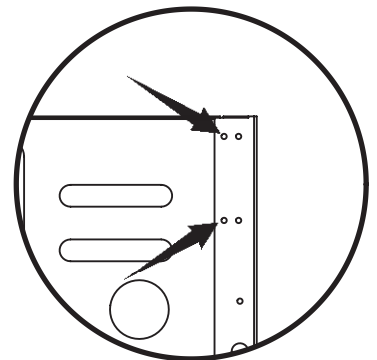
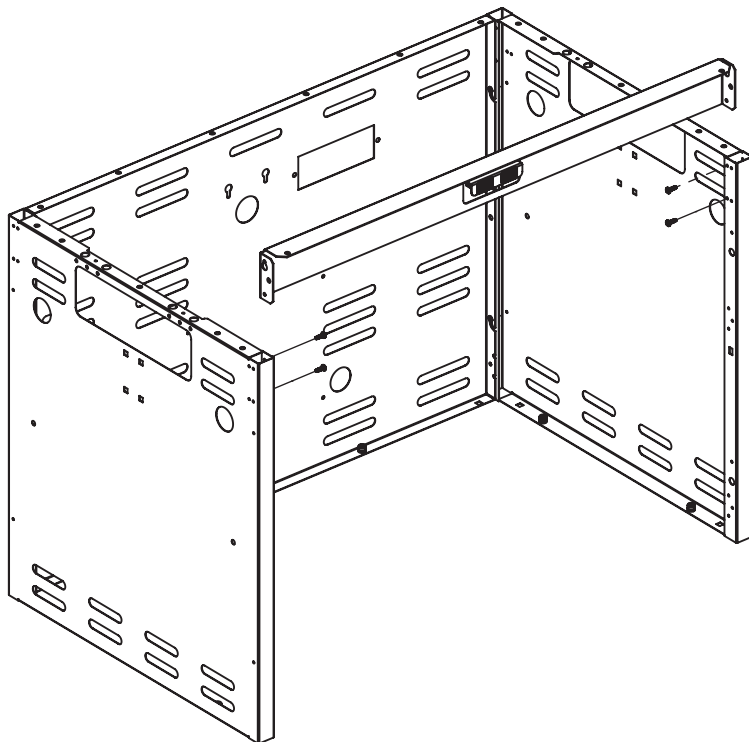


**2**

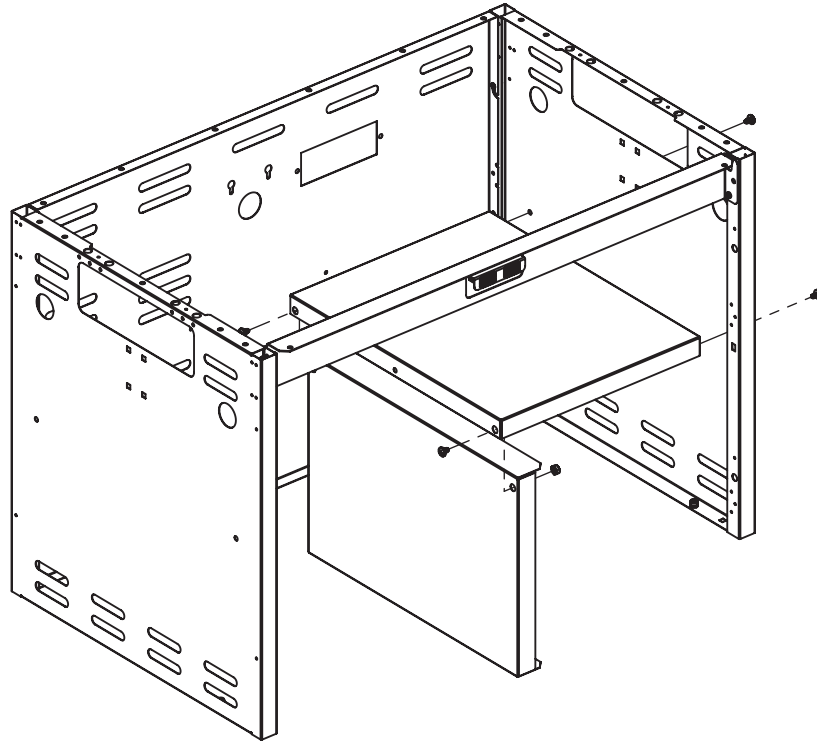
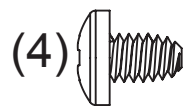


**3**

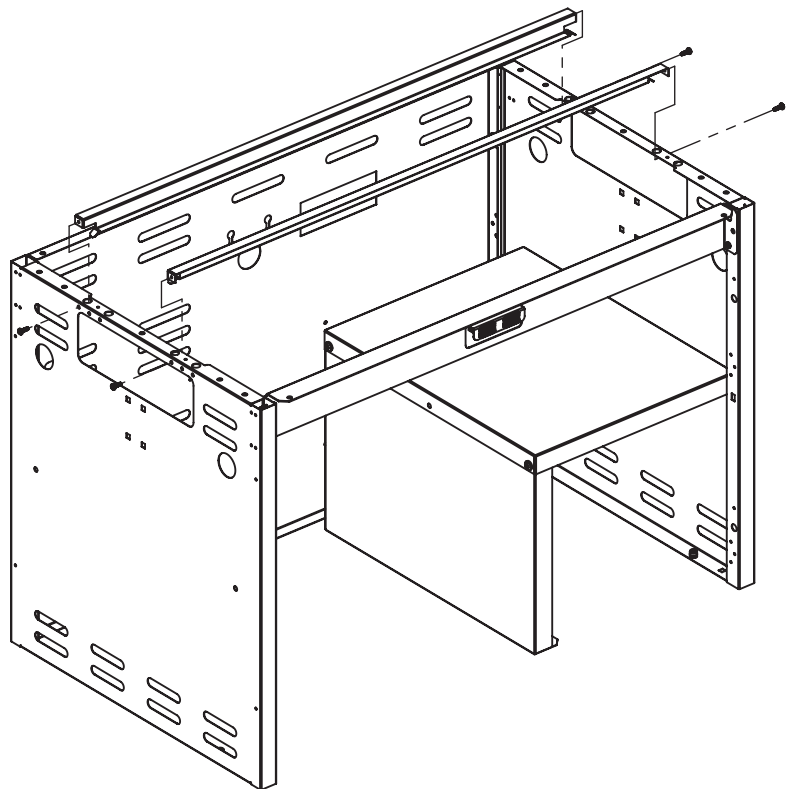
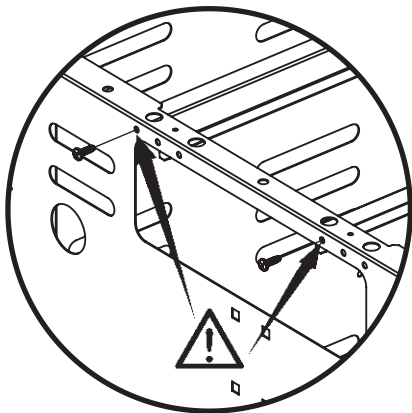
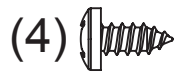
(4) 



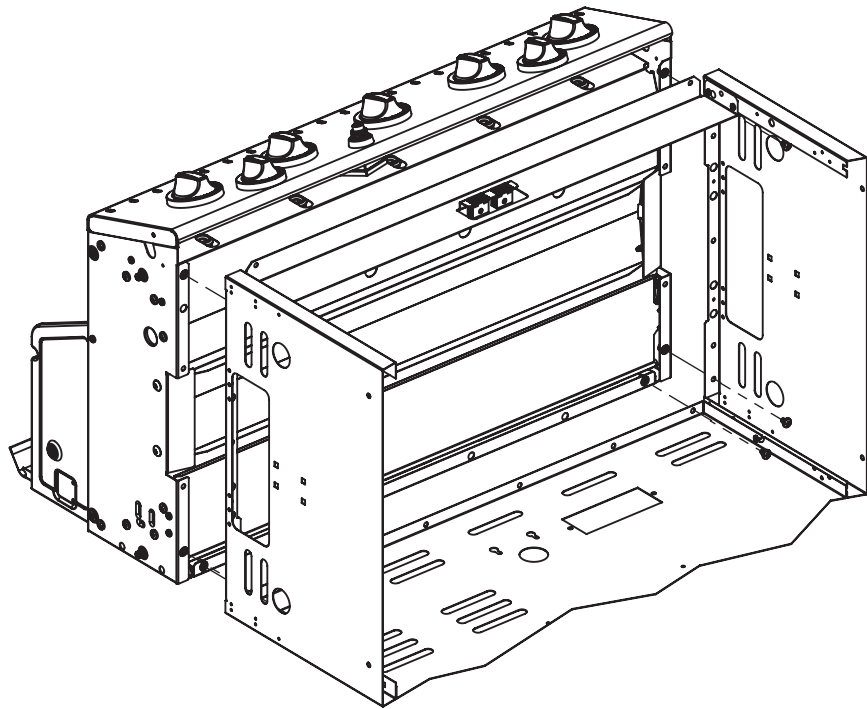
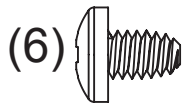
**4**



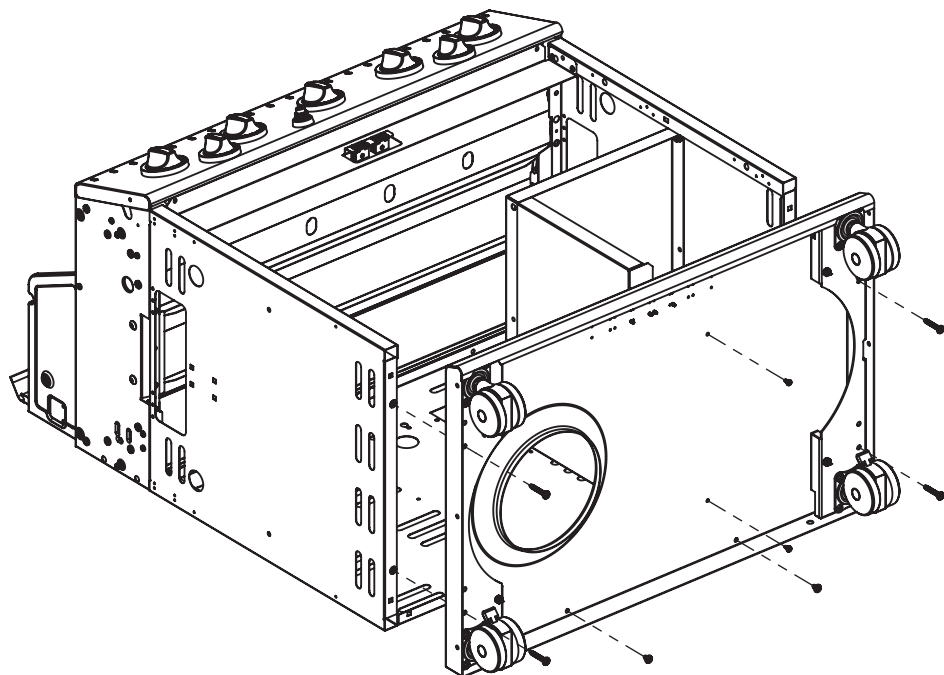
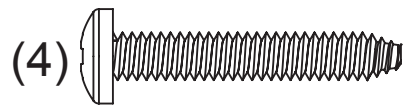
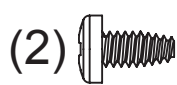
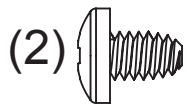
**5**



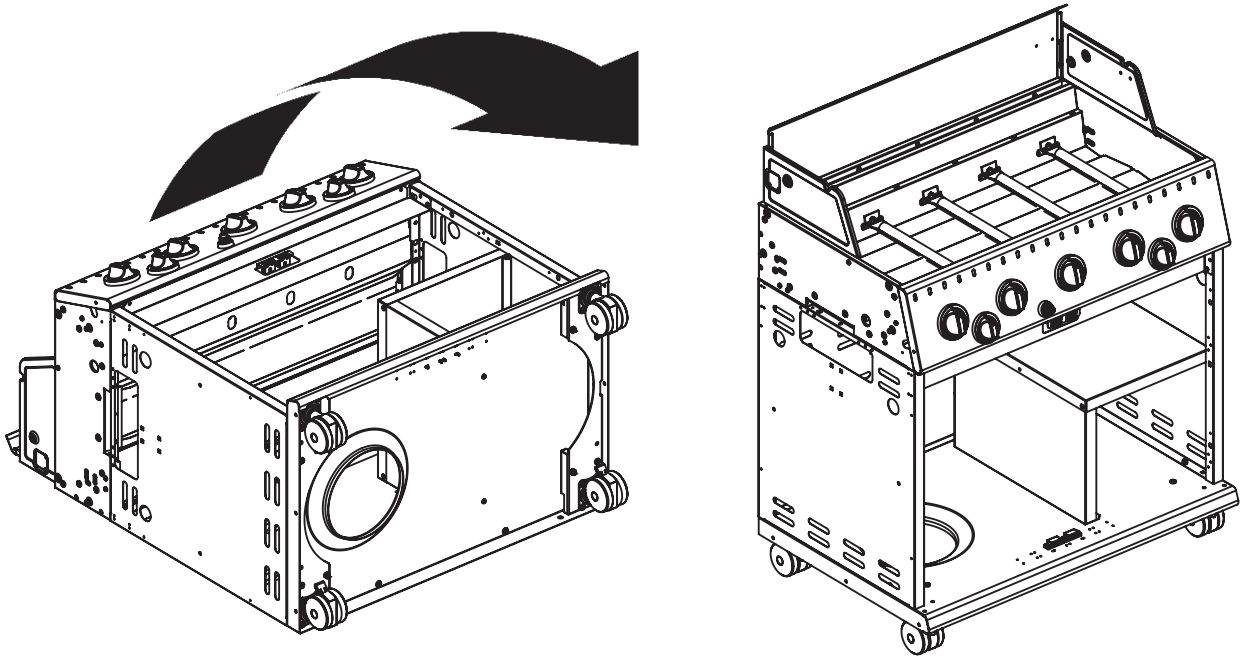
6



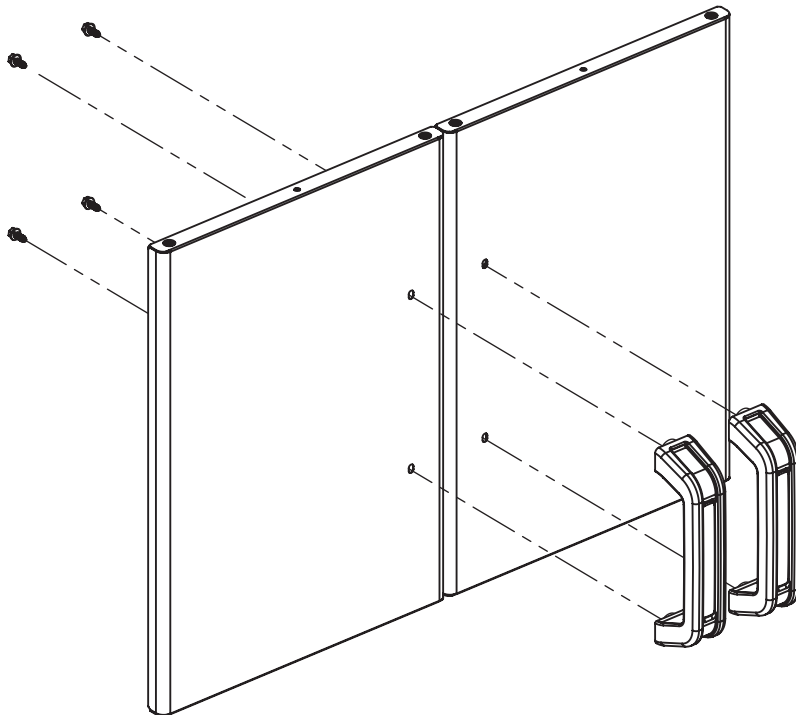
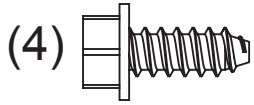
7



8

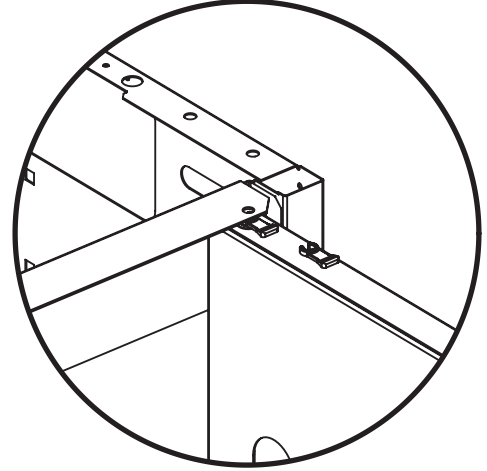
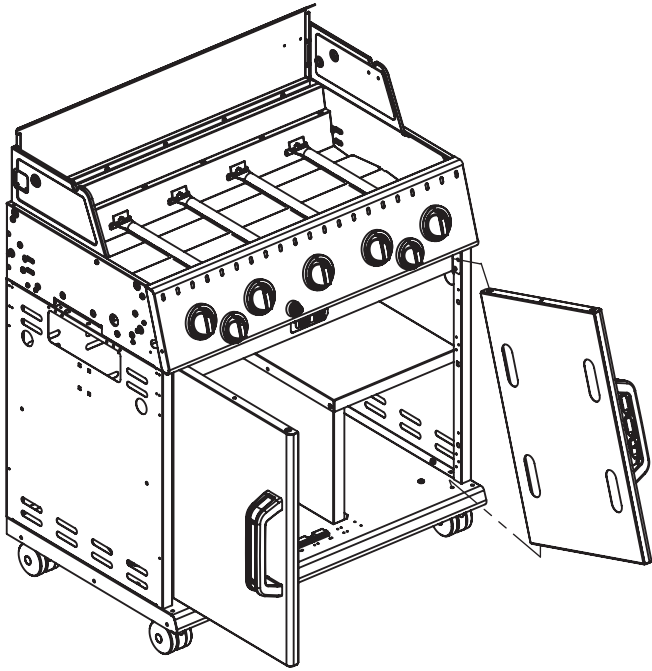
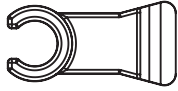


9

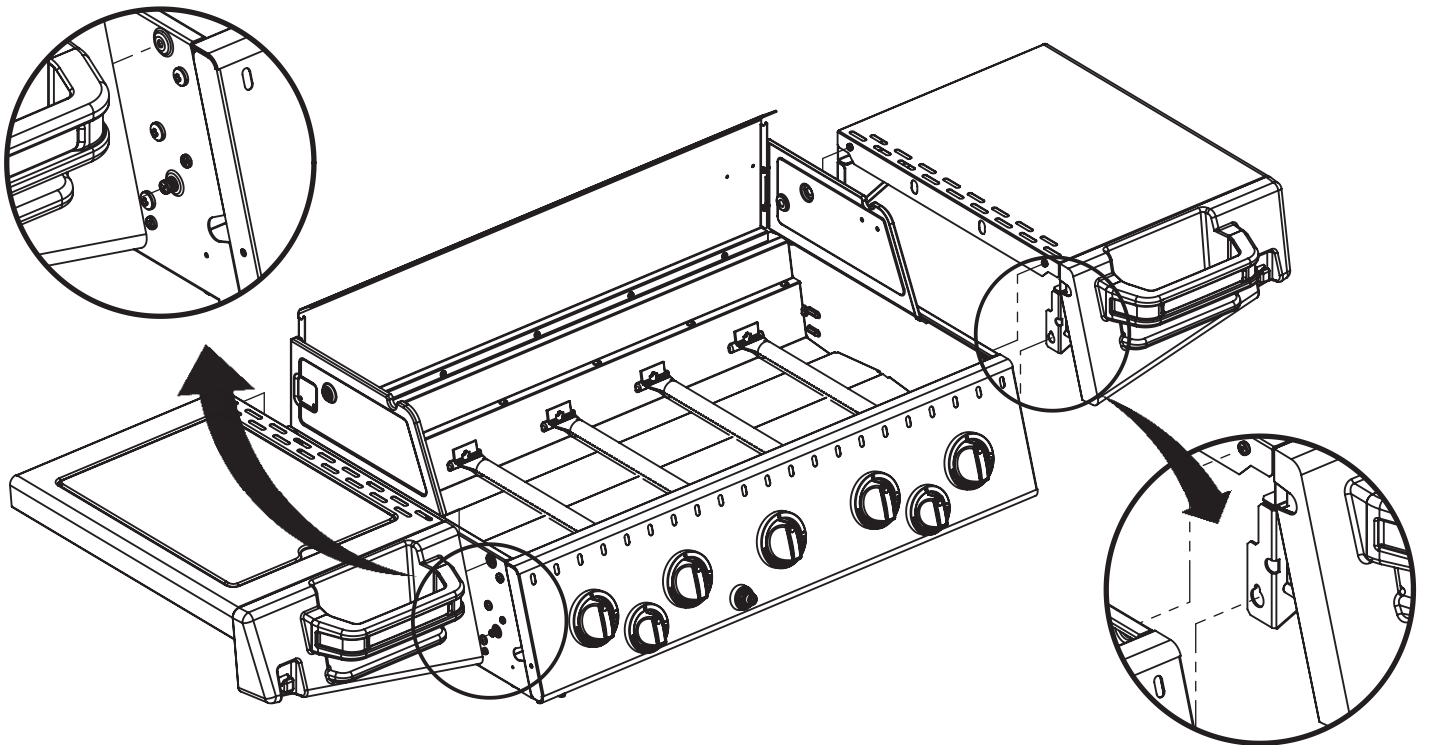


10

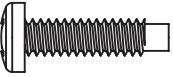
(2)

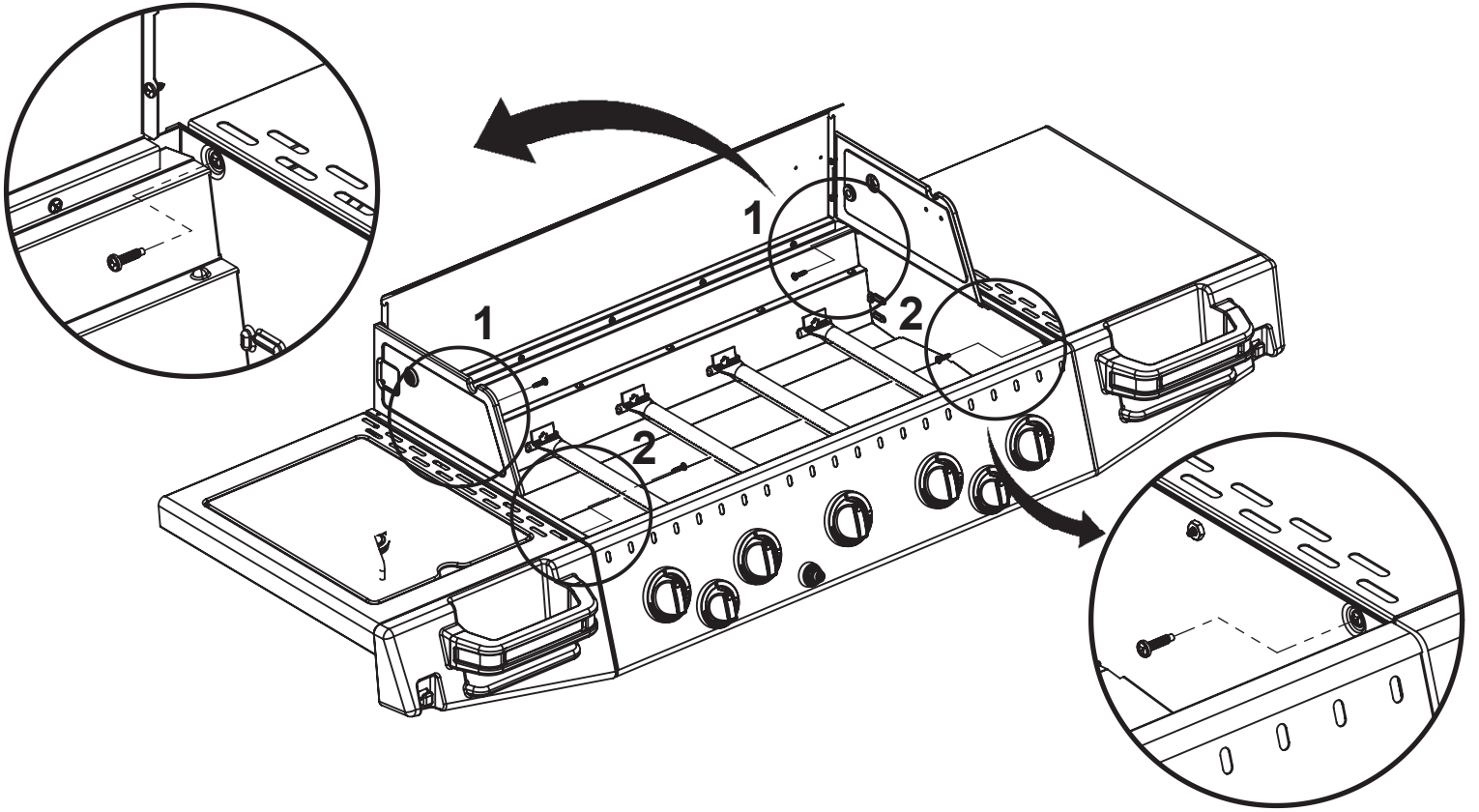


11

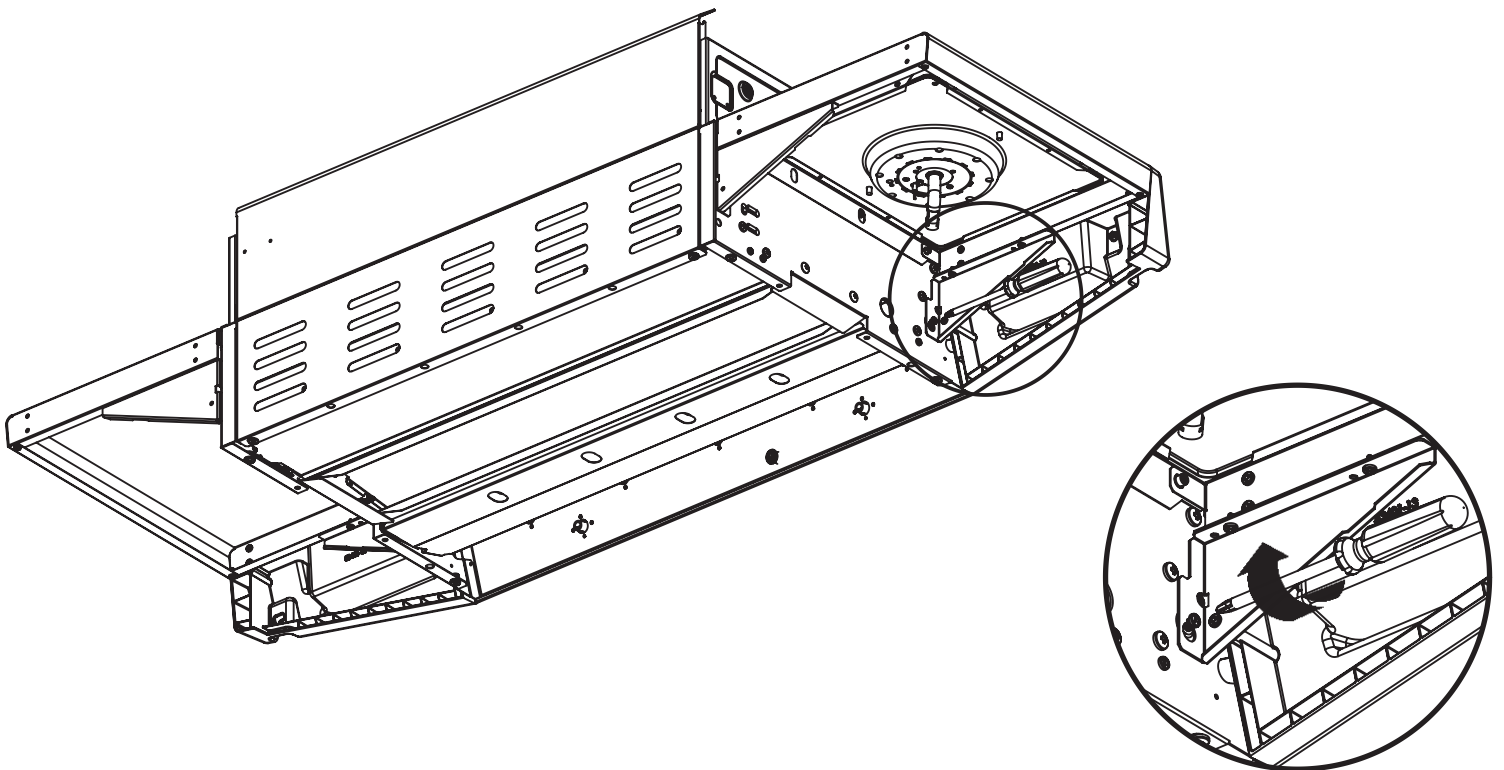


**12**

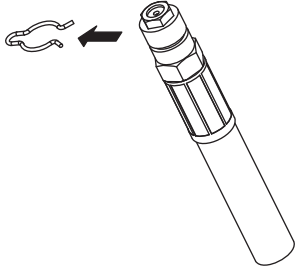
(4) 



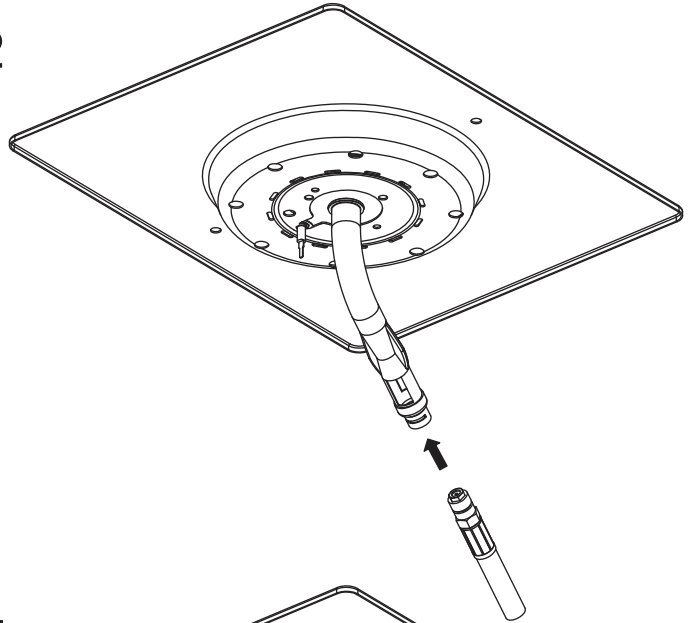
**13**



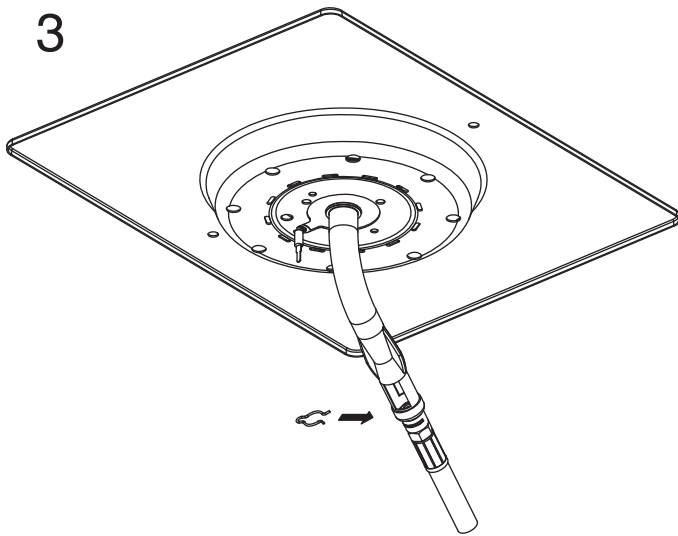
1



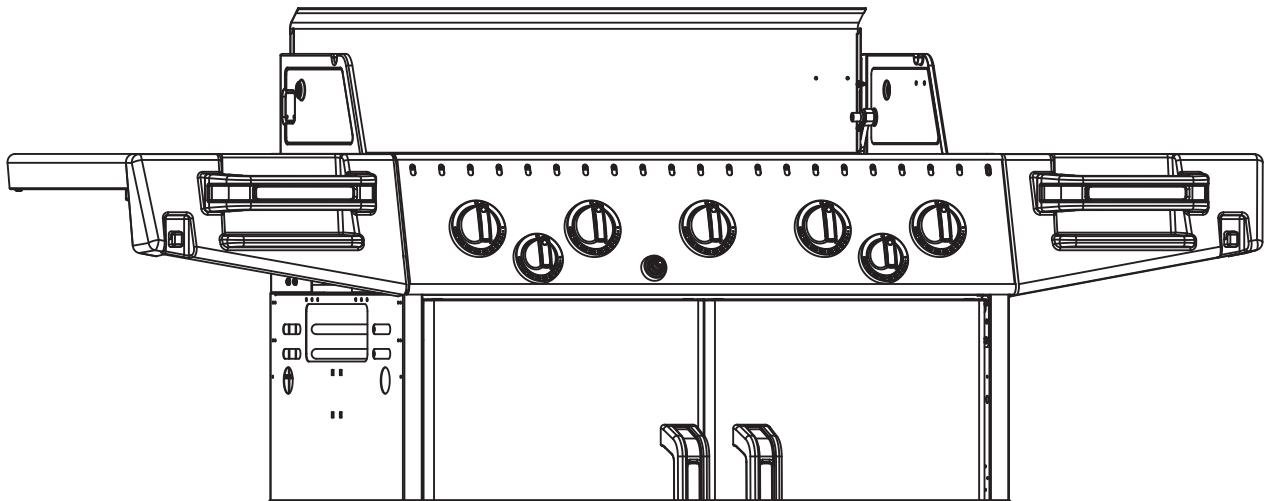
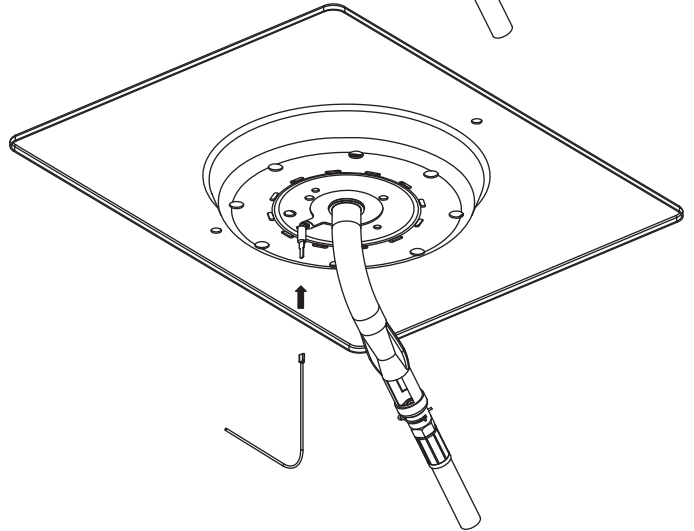
2

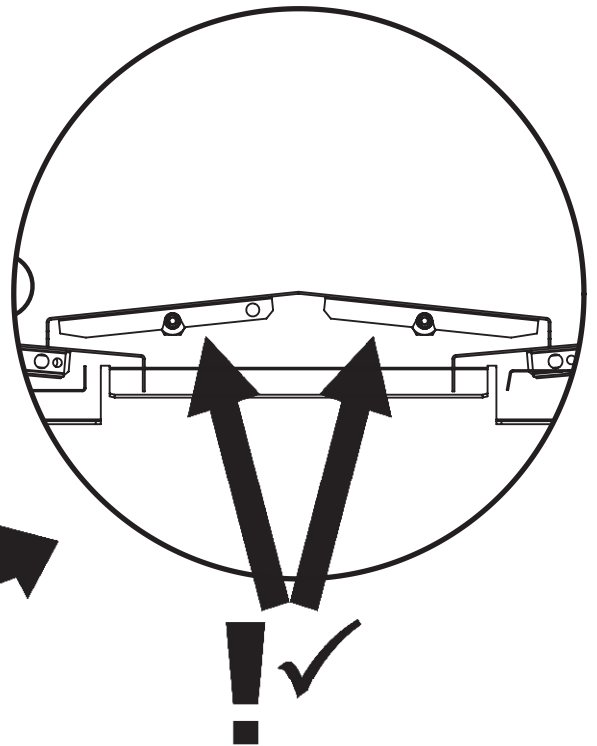
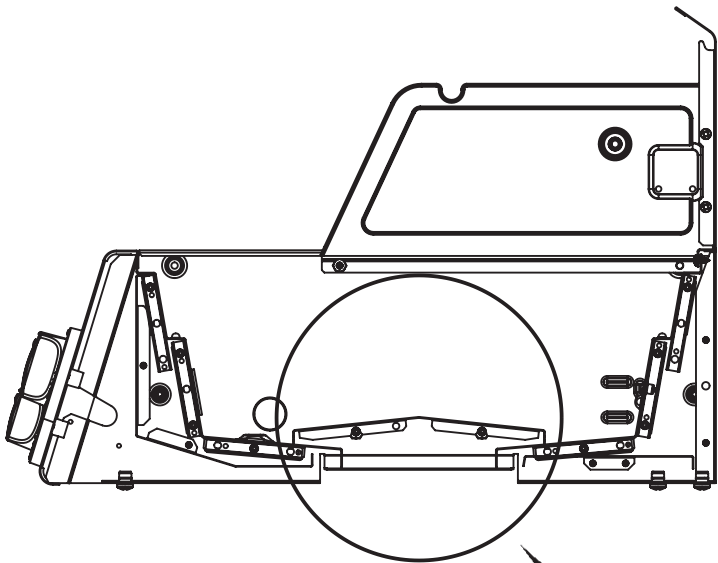
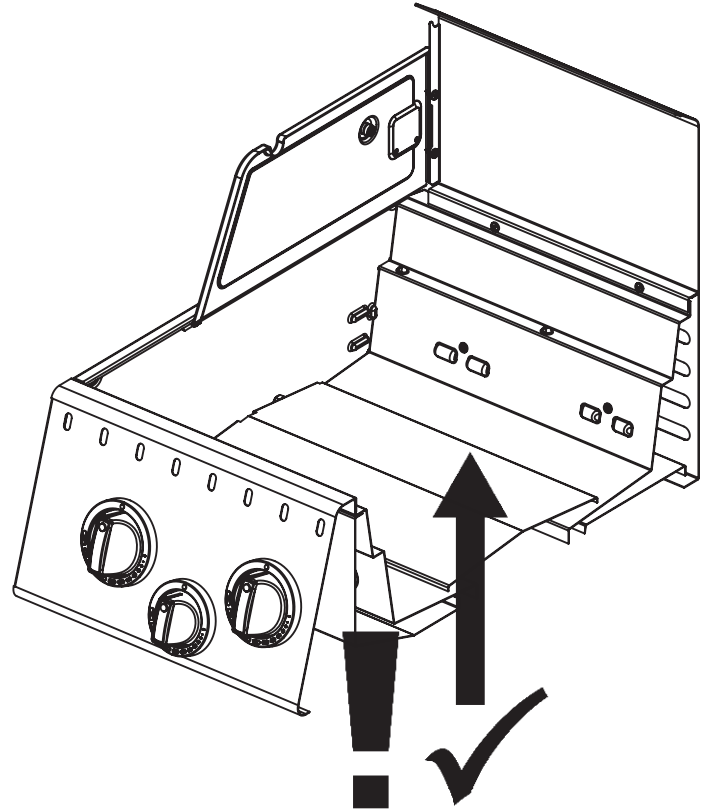
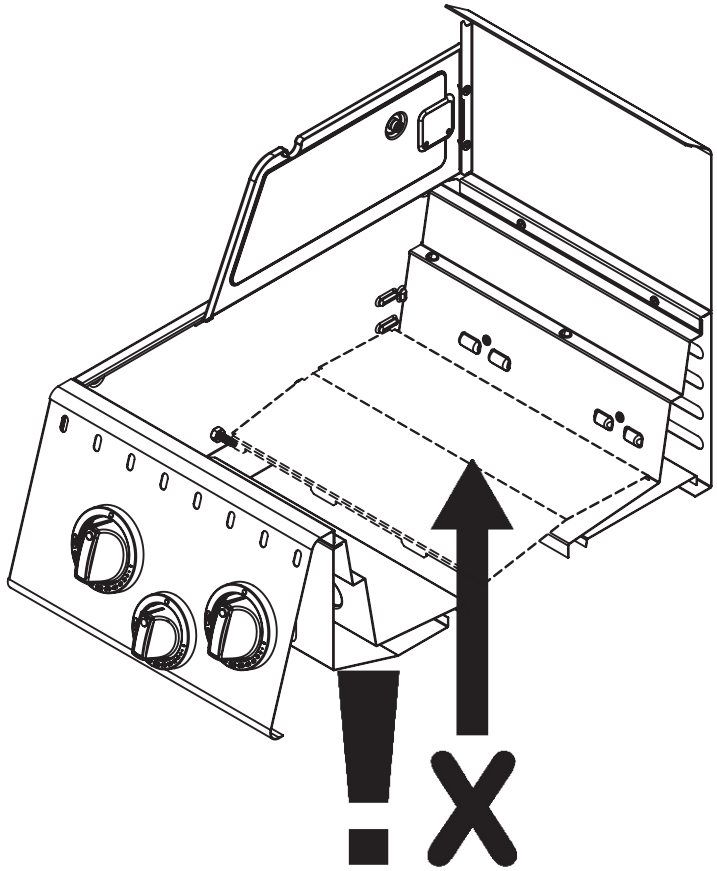


3

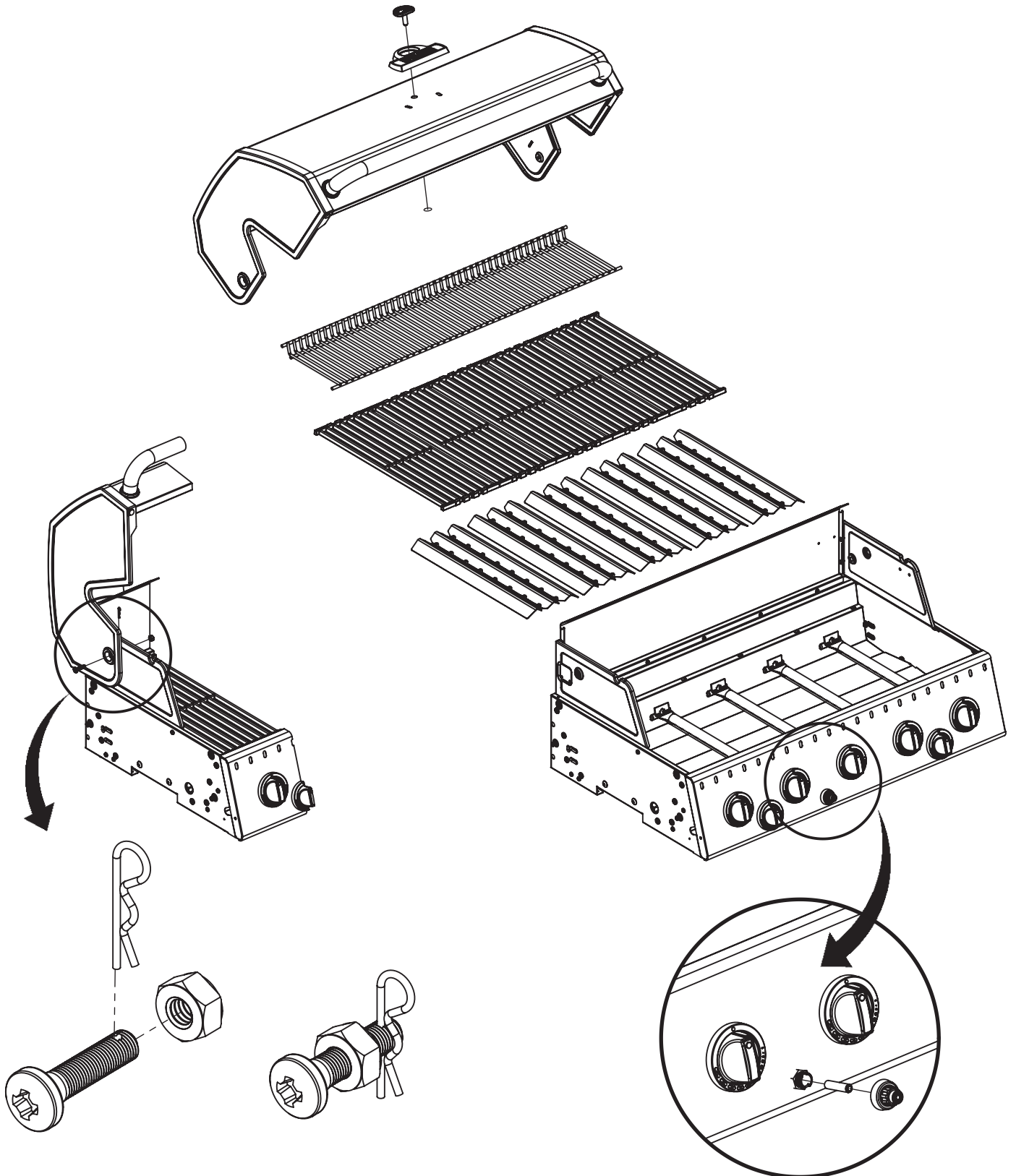
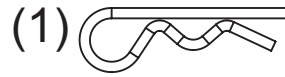
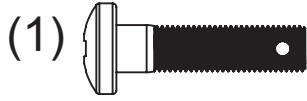


4

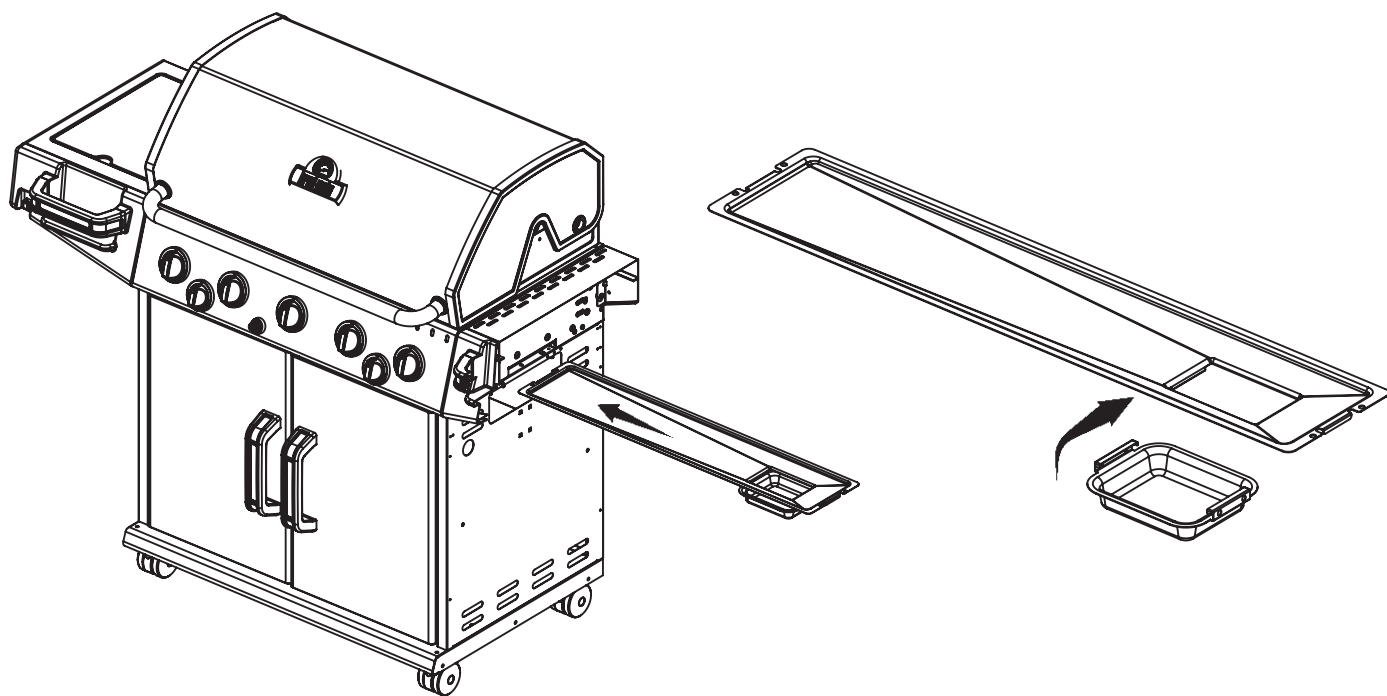




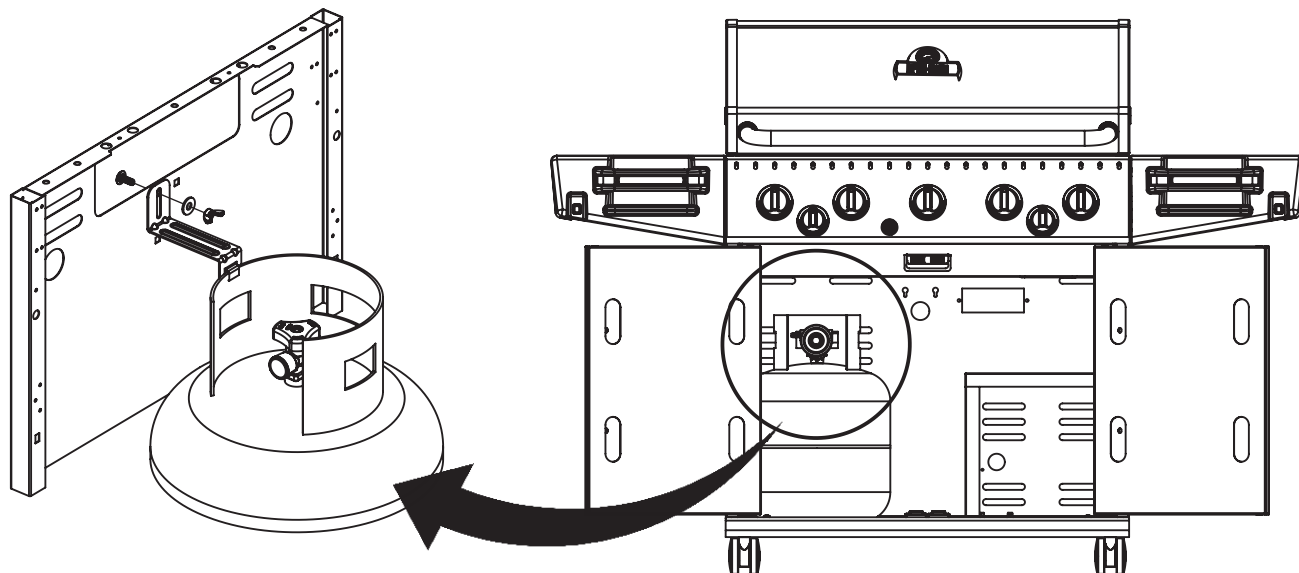
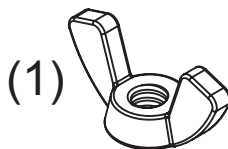
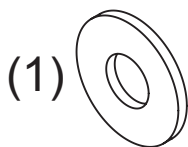
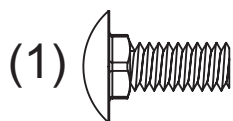
16



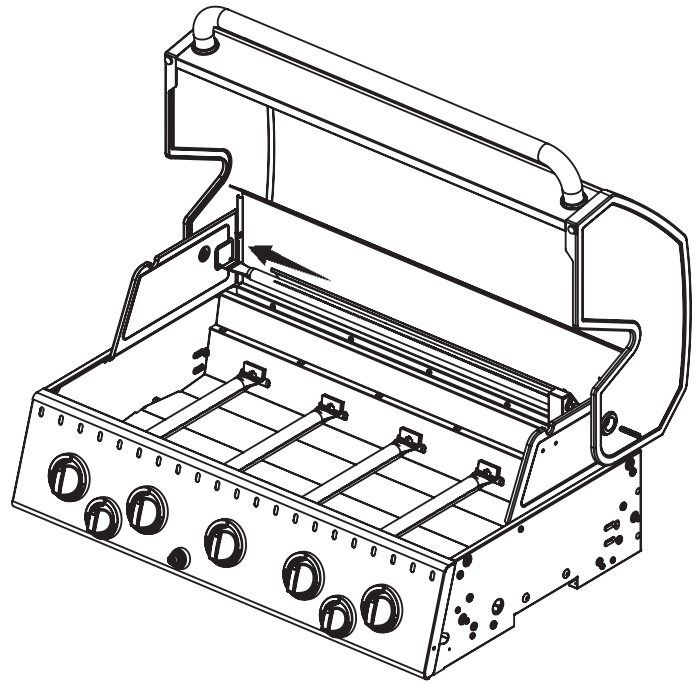
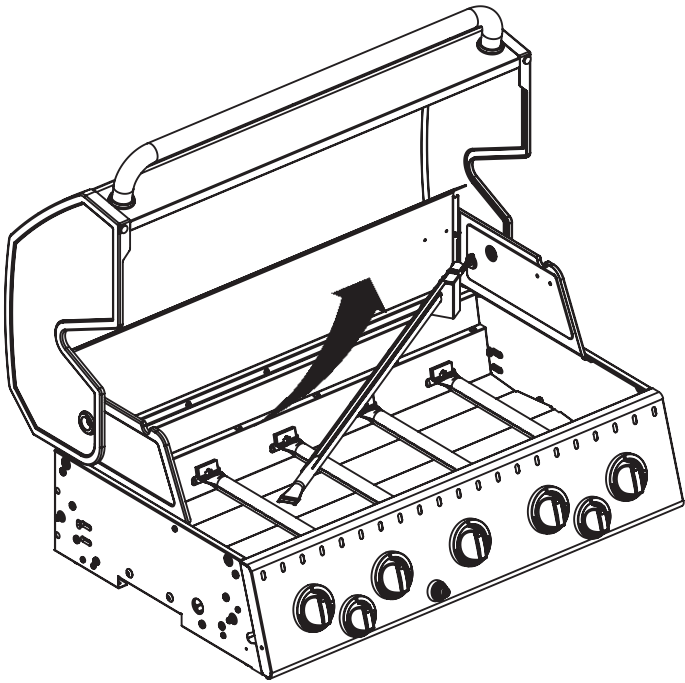
17



18



19



20

