

This Owner's Manual is provided and hosted by [Appliance Factory Parts](#).



Sterling 5123-87 Owner's Manual

[Shop genuine replacement parts for Sterling 5123-87](#)

STERLING 

[Find Your Sterling Grill Parts - Select From 509 Models](#)

----- Manual continues below part list -----

Available Replacement Parts for Sterling 5123-87

10802	stainless steel burner
PF2011-29	PUSH BUTTON IGNITER, 4 WIRE
5S672	grid, ss wire, 17.375 x 26.25; Grill Mas
66024	grid, ci, 17.375 x 25.5; Huntington
96021	HEAT PLATE PORCELAIN STEEL
00475	heat indicator
16121	BURNER TUBE, EACH SS
04831	ELECTRODE WITH WIRE



REDI-BILT BARBECUES

ASSEMBLY MANUAL & PARTS LIST

MANUEL DE MONTAGE & LISTE DE PIÈCES



STERLING

5023-64/67

5123-64/67

5123-84/87

broil-mate™

7123-64/67

7123-84/87



STERLING

5133-64/67

5139-84/87

broil-mate™

7133-64/67

7139-84/87

RETAIN FOR FUTURE REFERENCE

VEUILLEZ CONSERVER POUR REFERENCE ULTERIEURE

1-800-265-2150

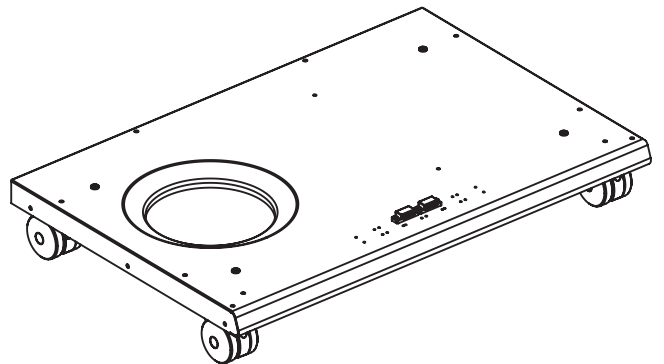
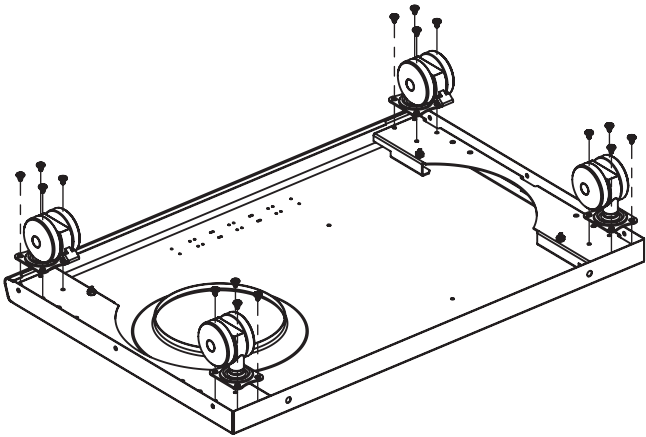
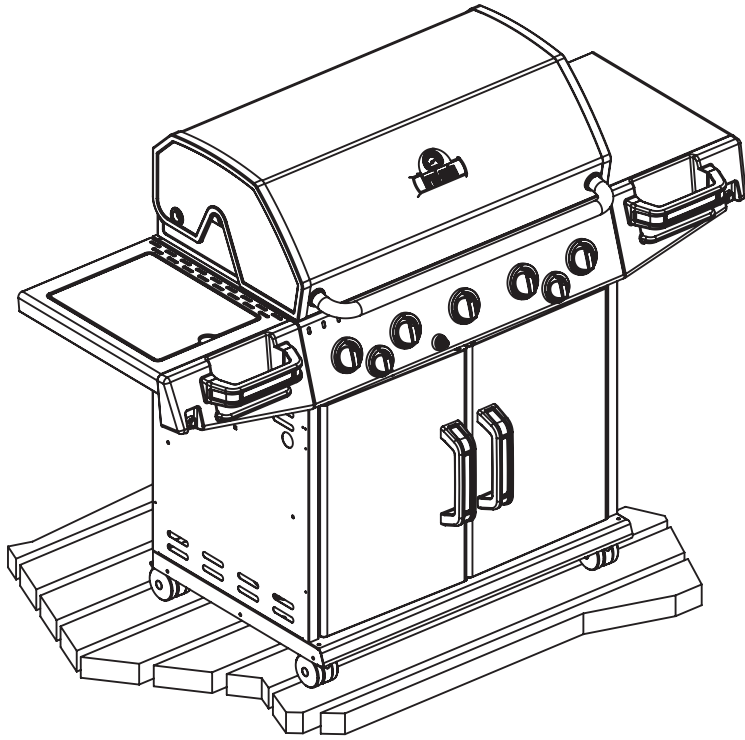
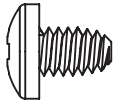
info@omcbbq.com

Onward
MANUFACTURING COMPANY
SINCE 1906
1000 EAST MARKET STREET
HUNTINGTON, INDIANA, 46750, USA

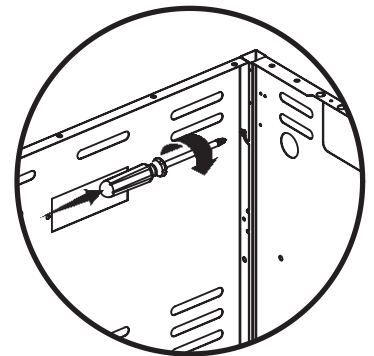
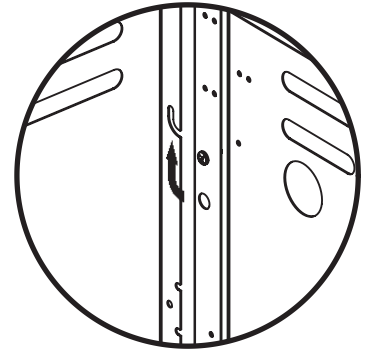
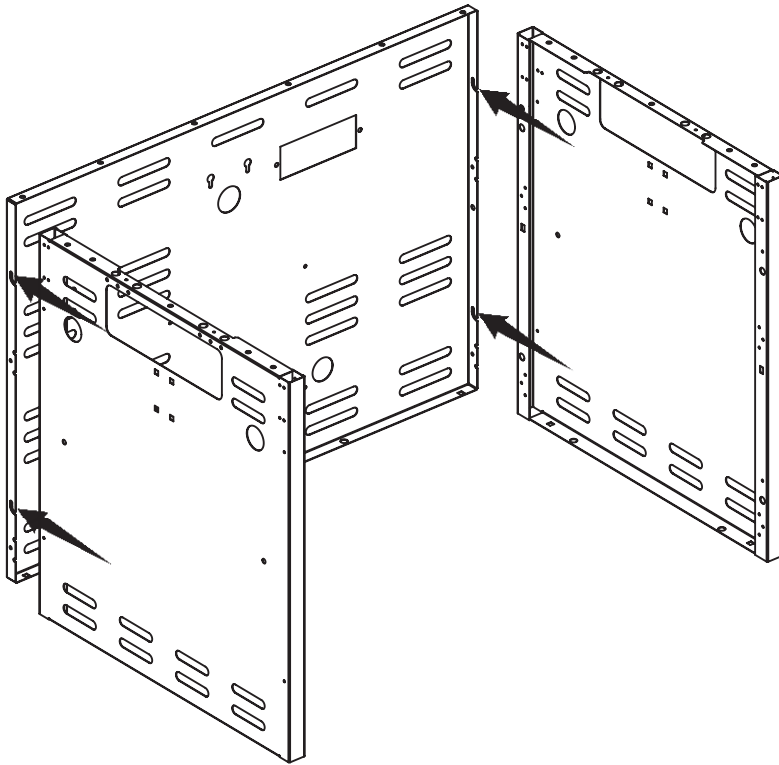
20084-E90 REVE 10/11

1

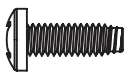
(16)

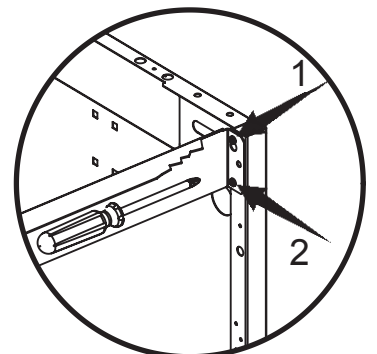
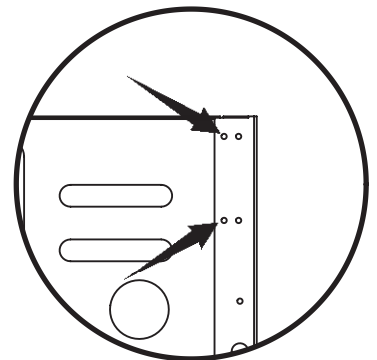
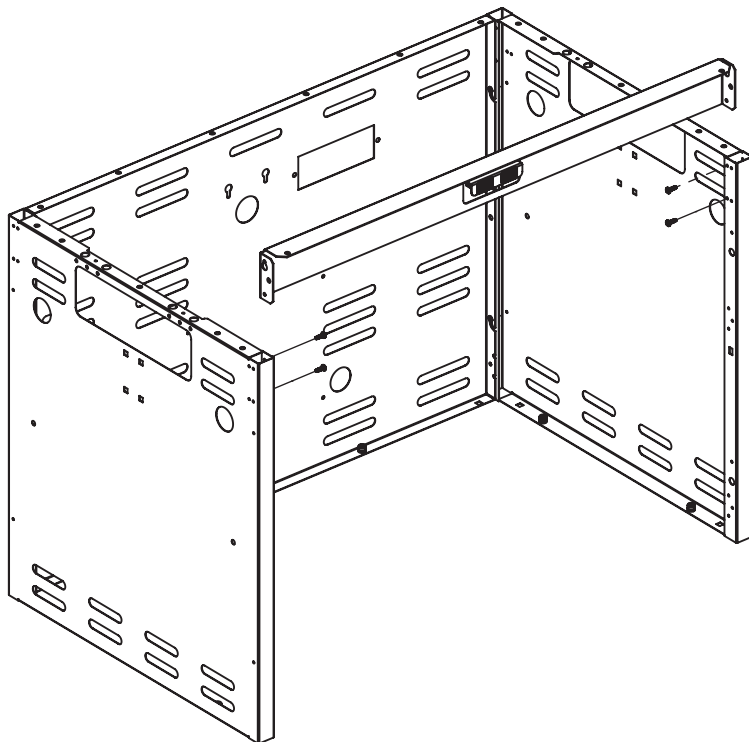


2

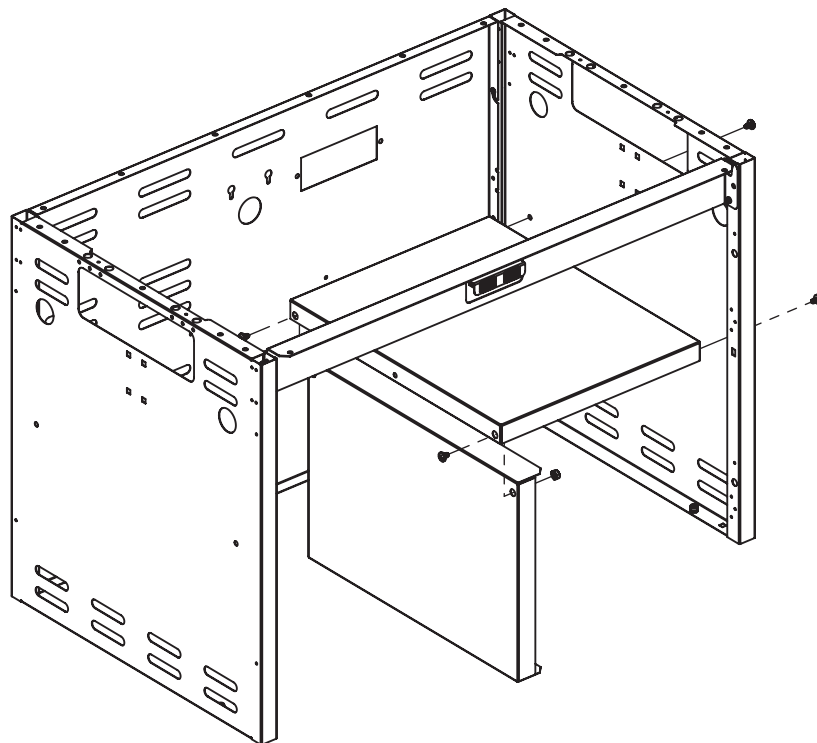
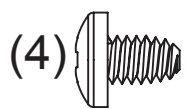


3

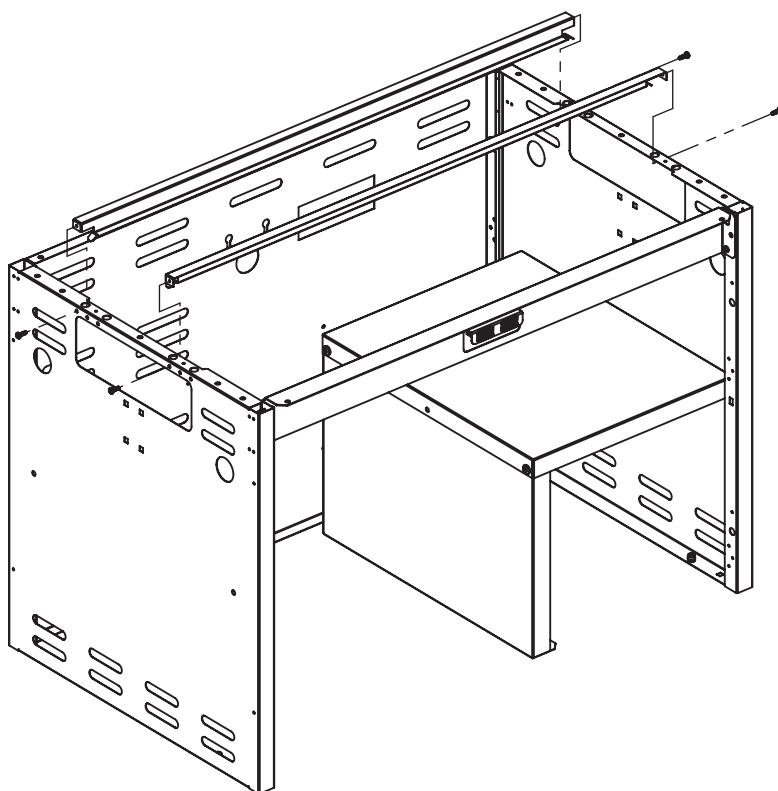
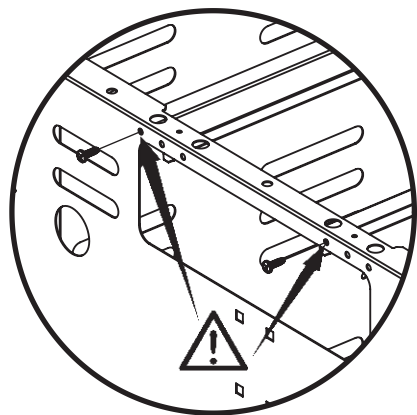
(4) 



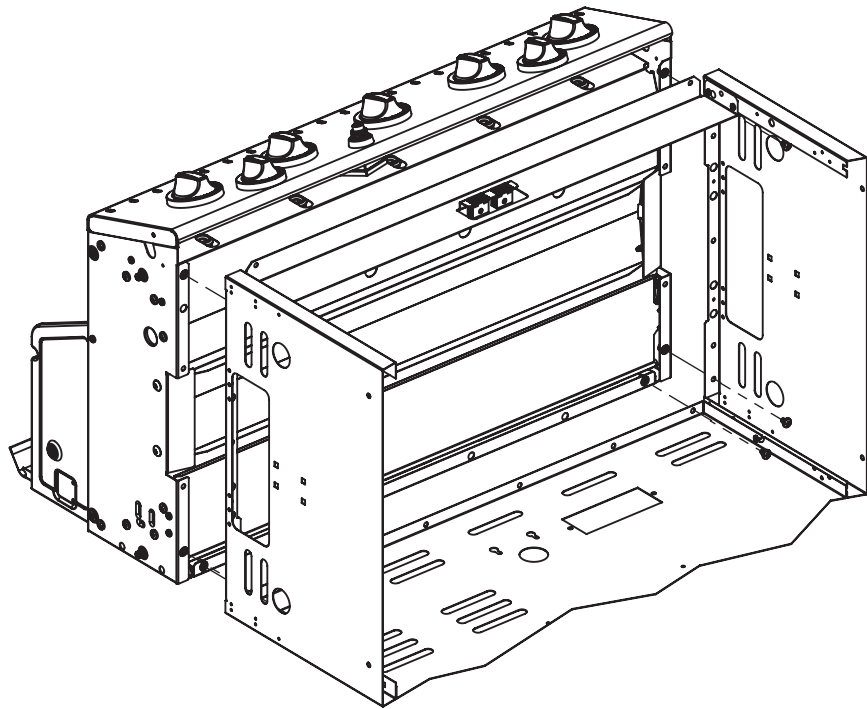
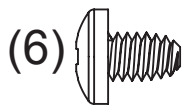
4



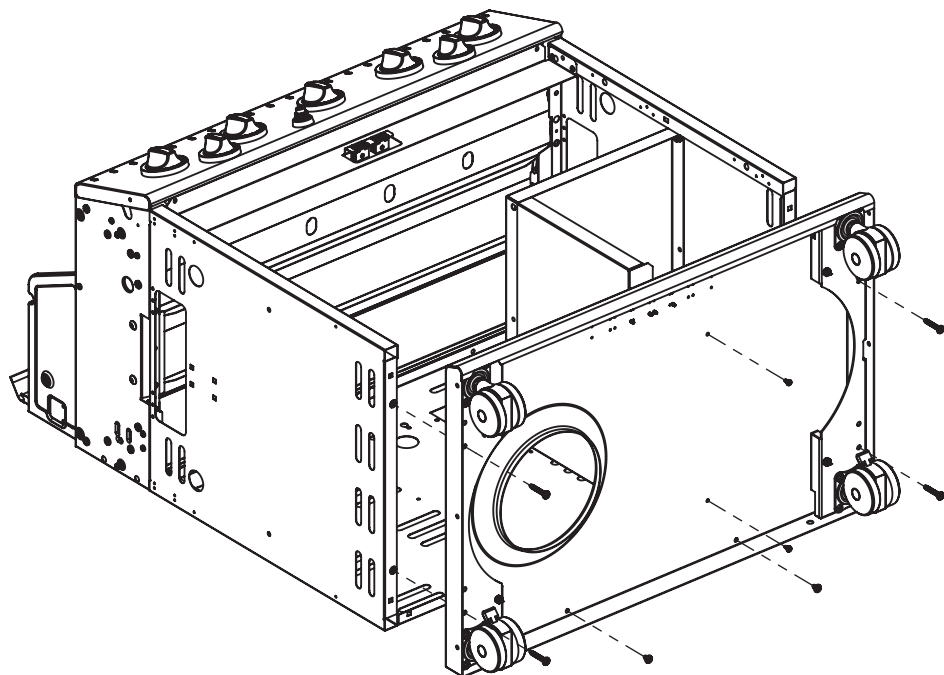
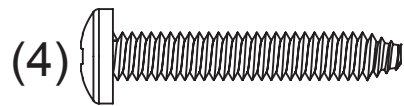
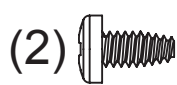
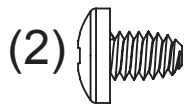
5



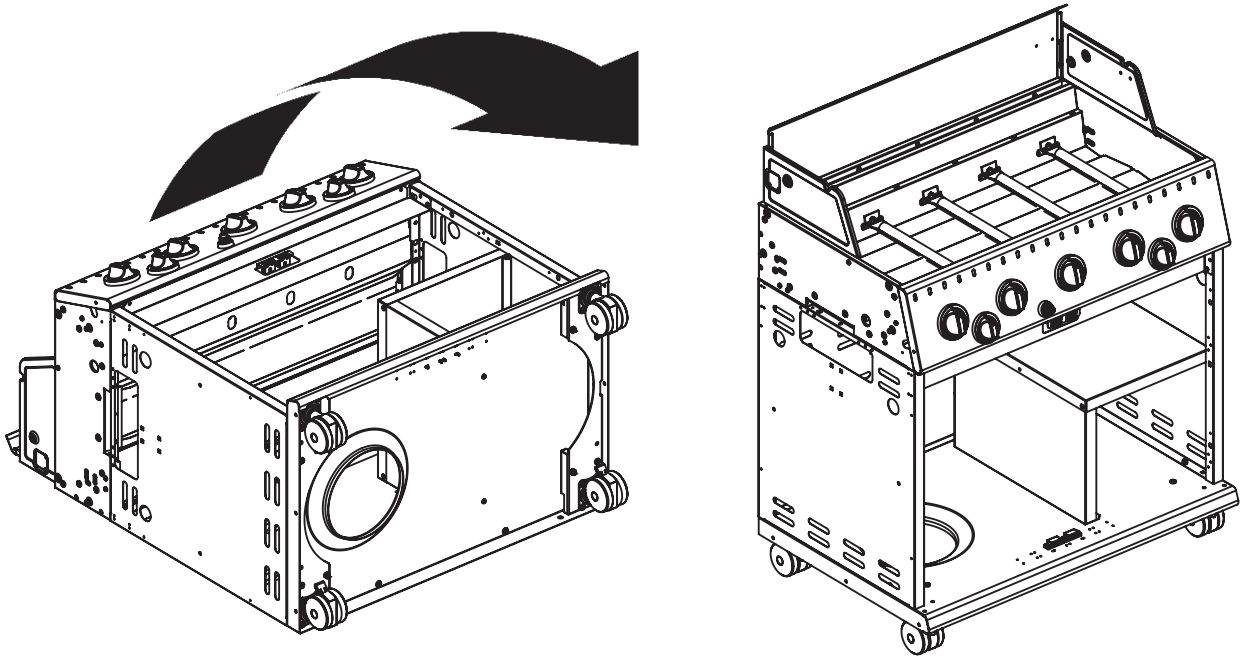
6



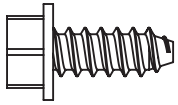
7

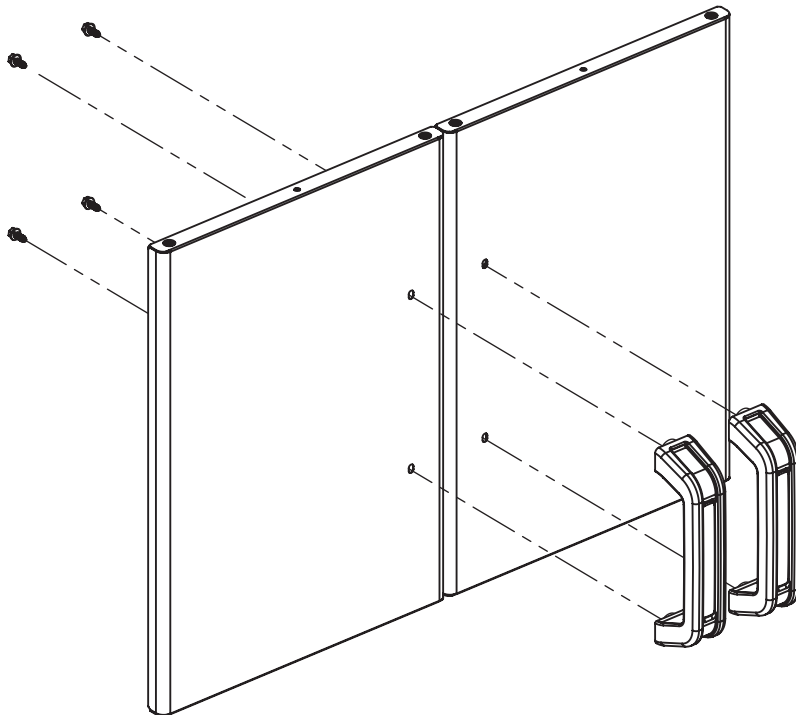


8



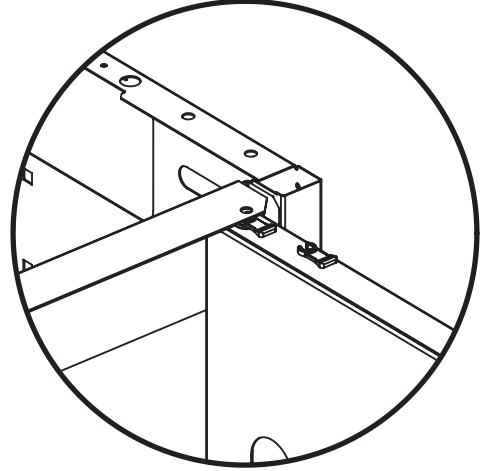
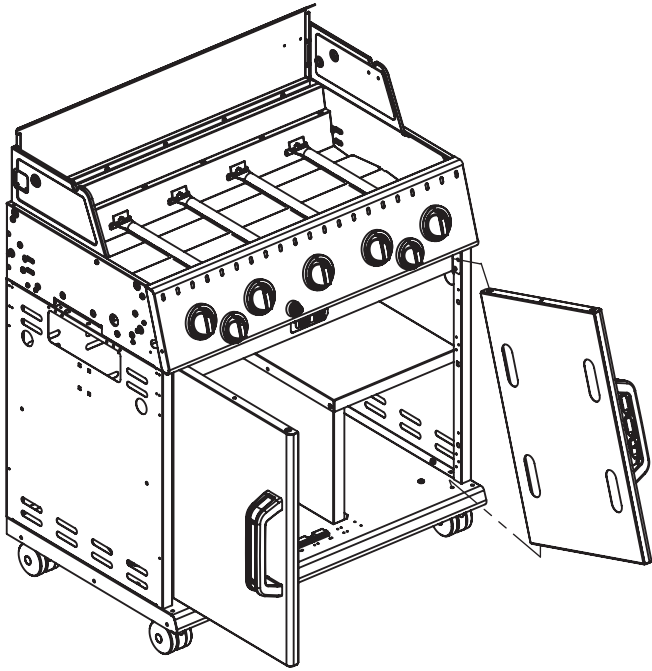
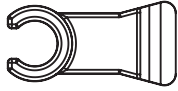
9

(4) 

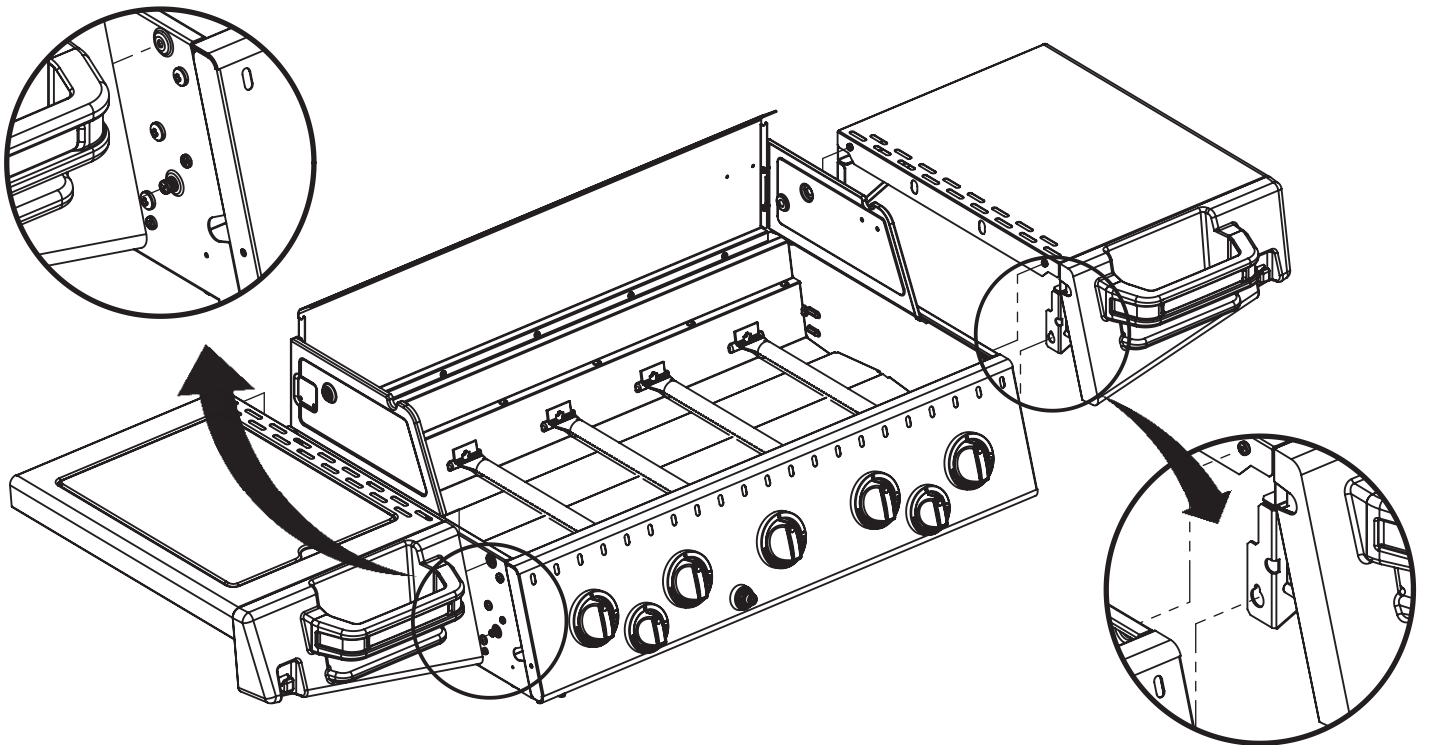


10

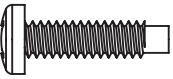
(2)

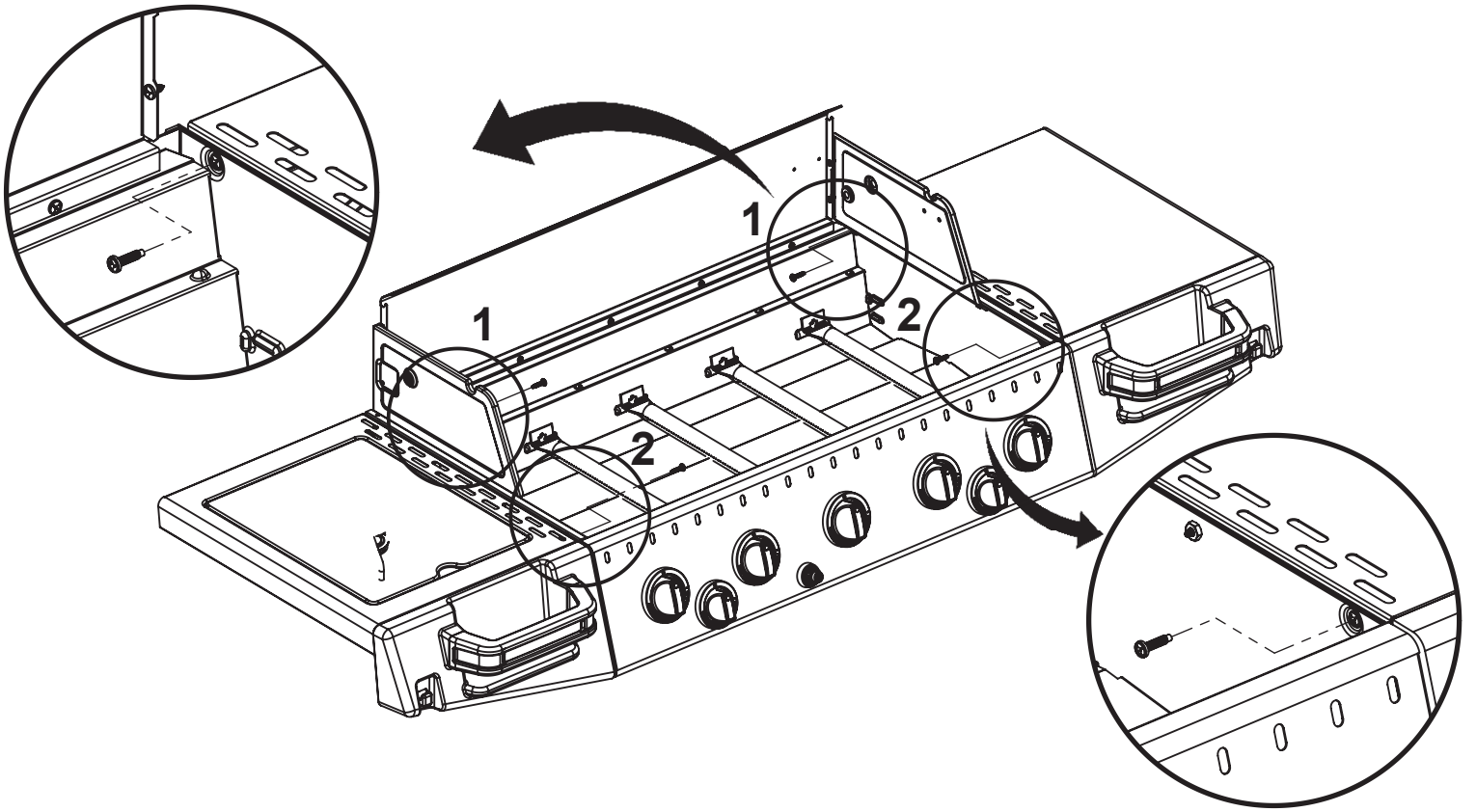


11

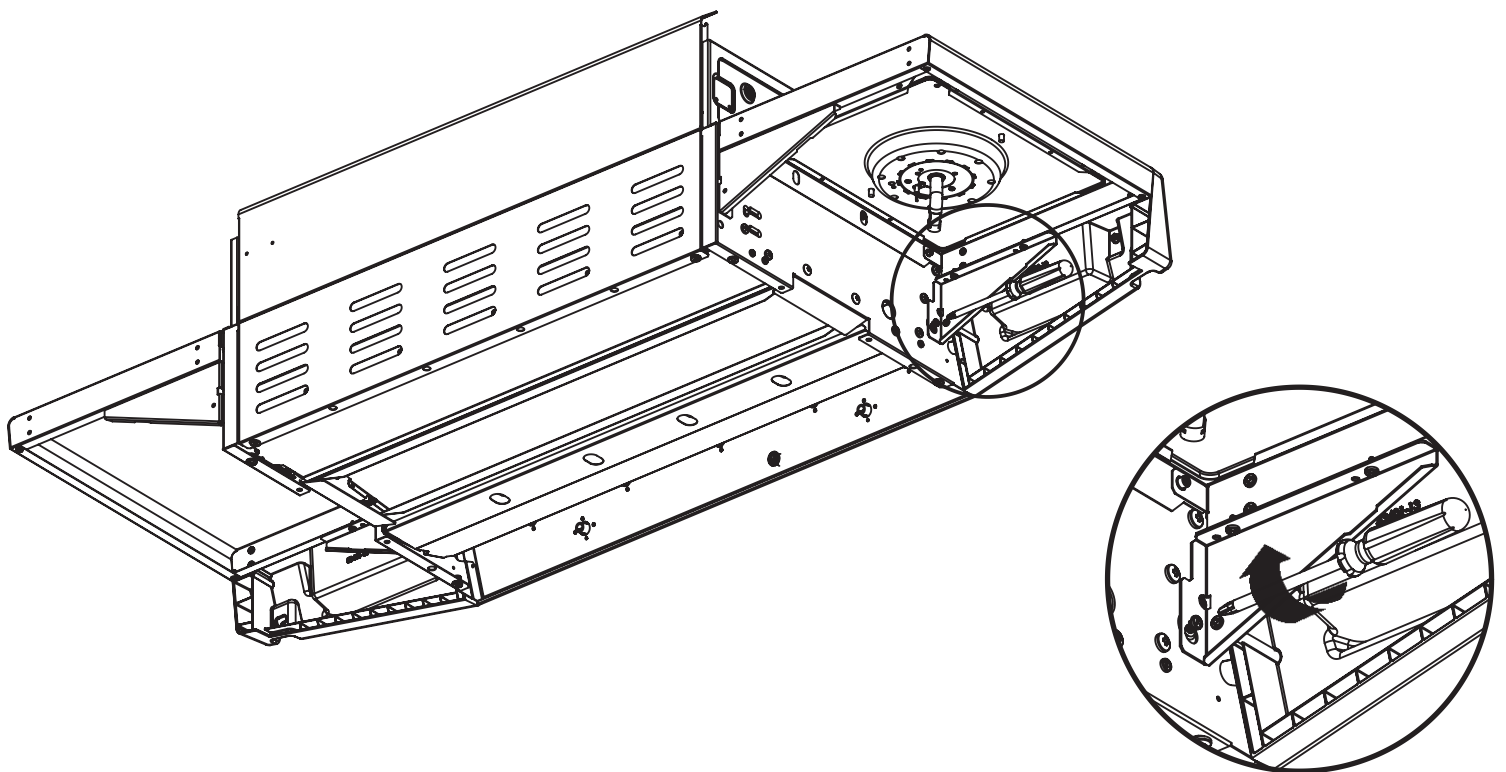


12

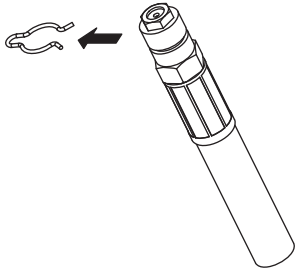
(4) 



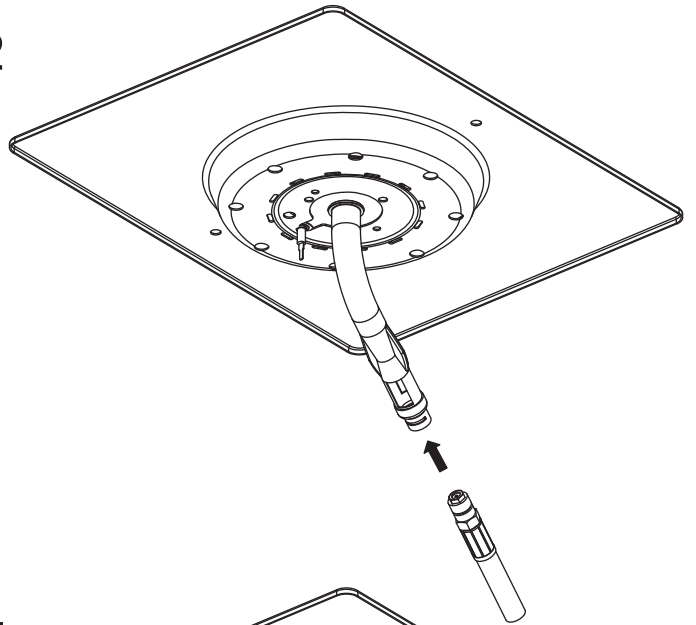
13



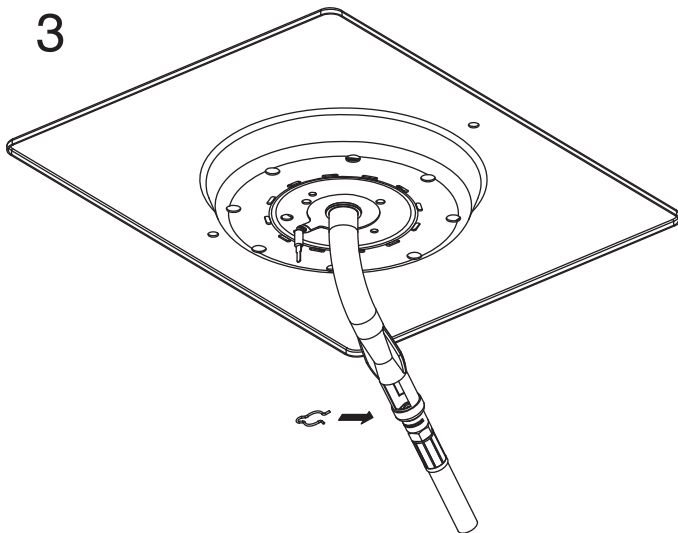
1



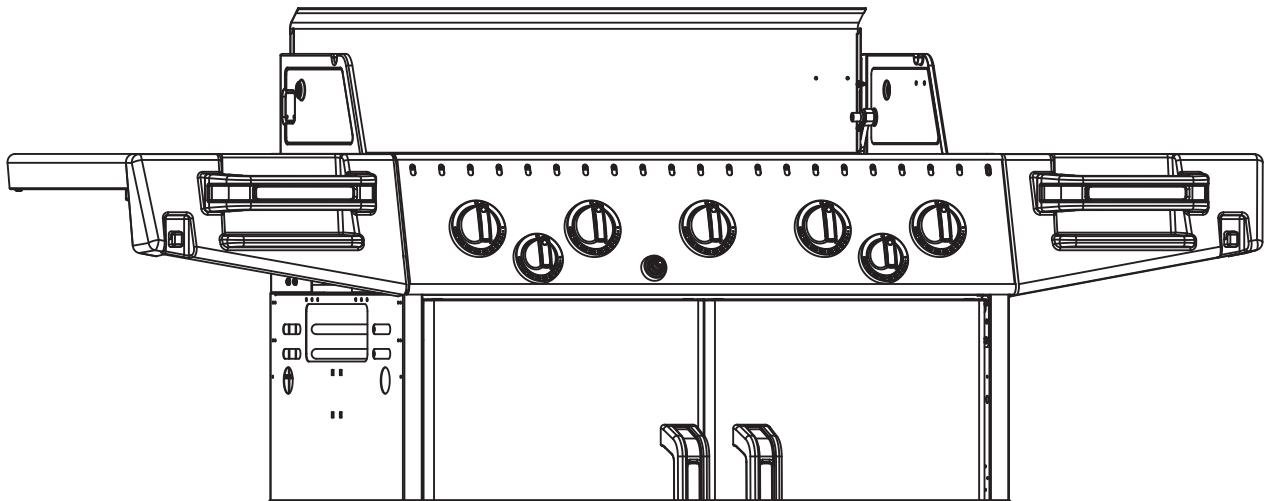
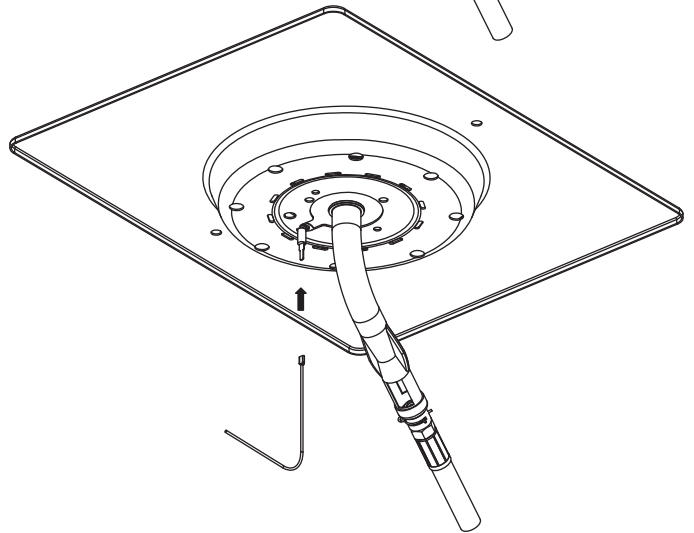
2

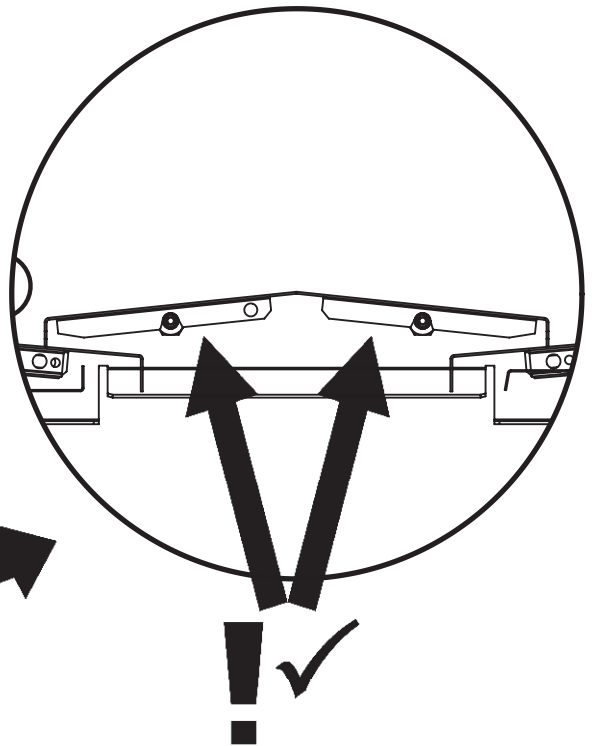
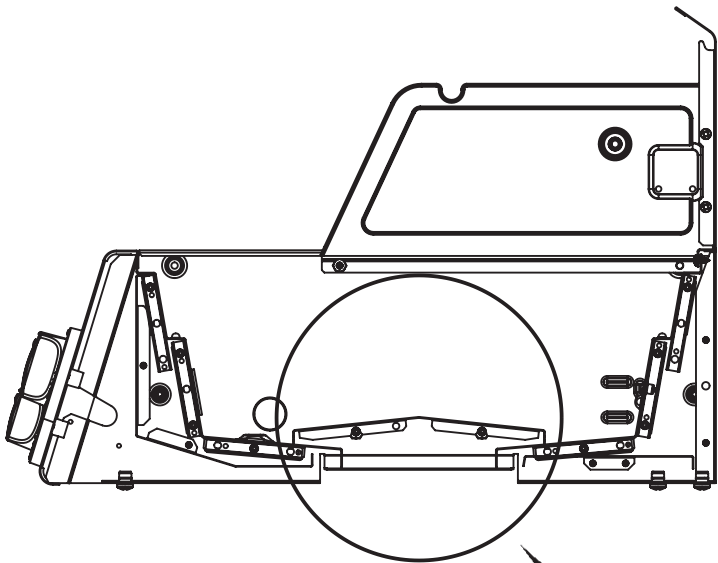
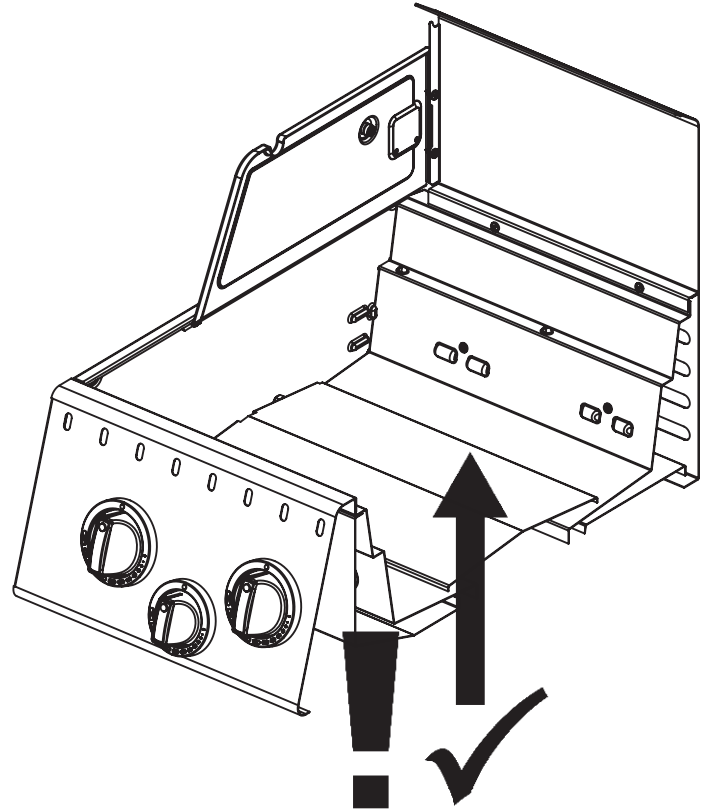
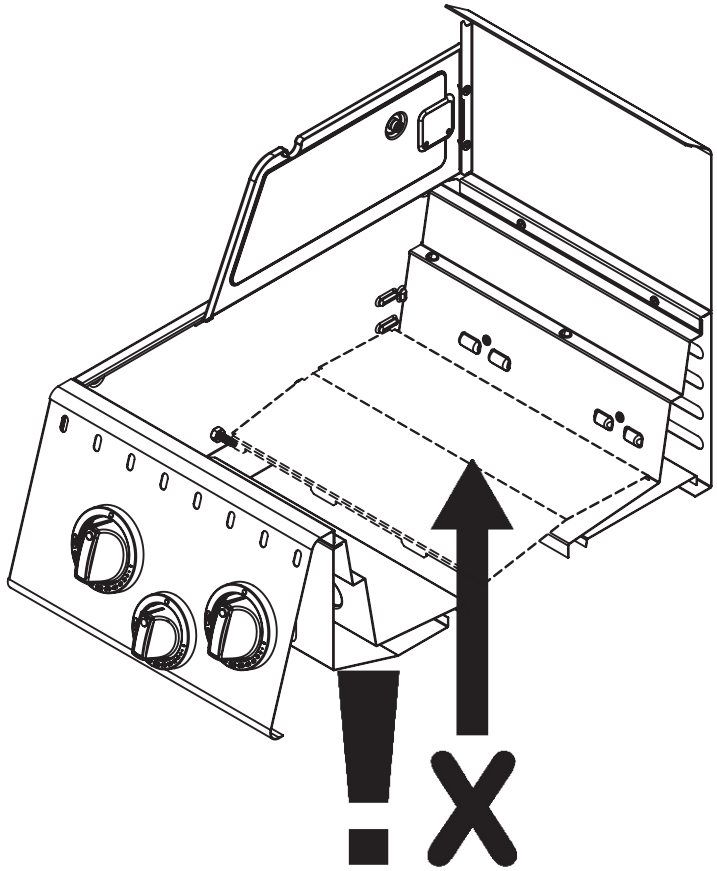


3

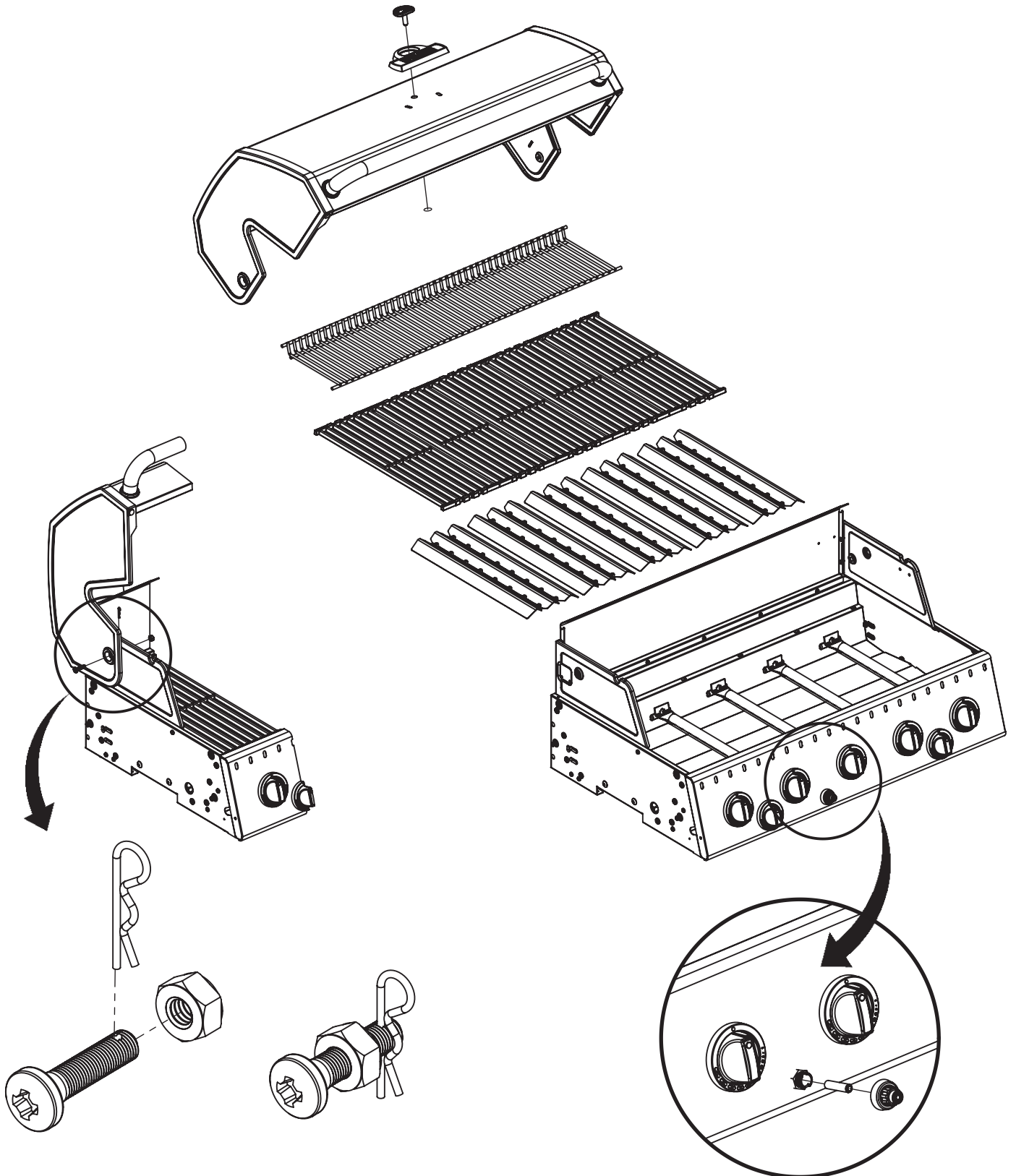
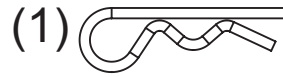
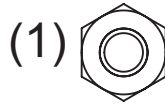
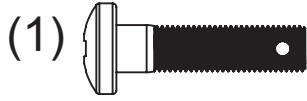


4

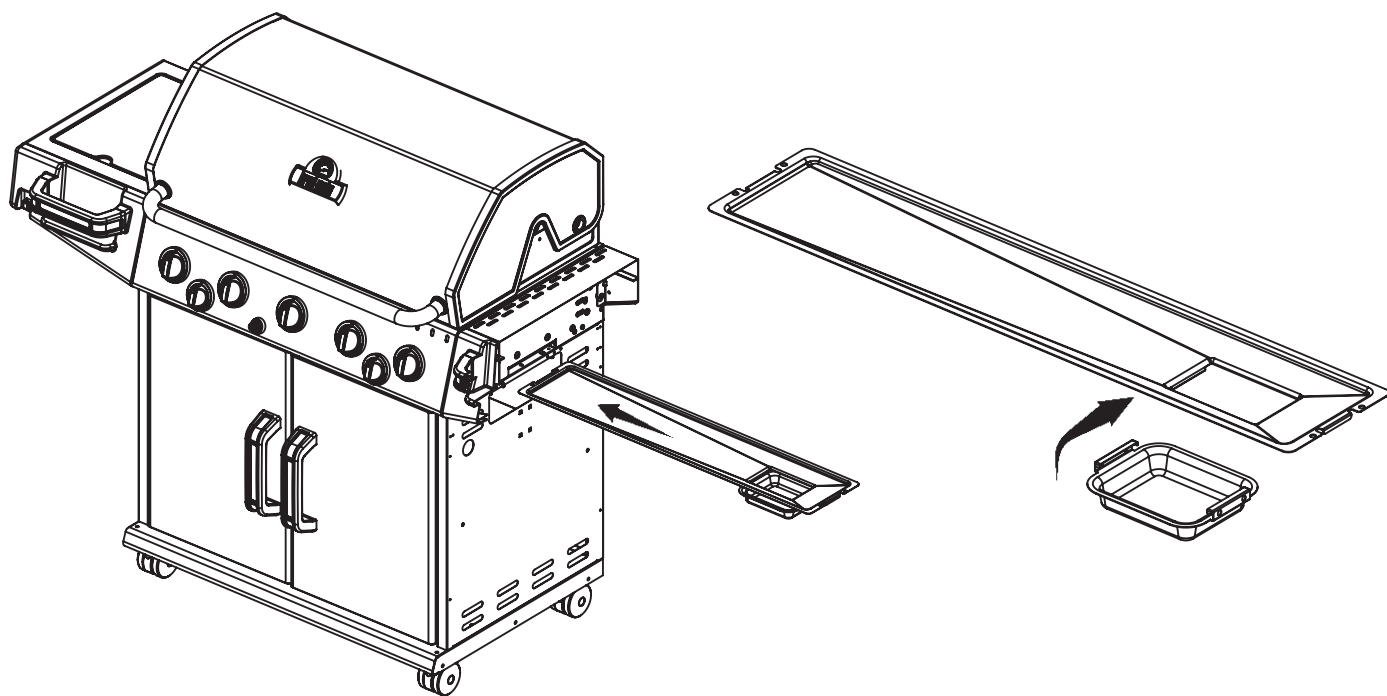




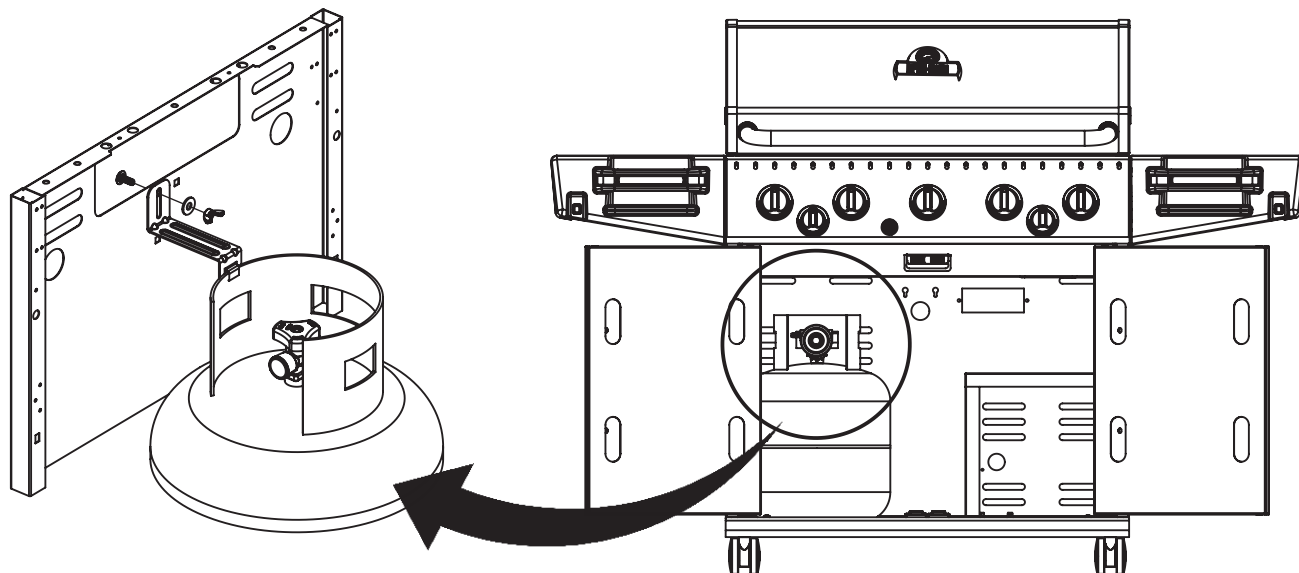
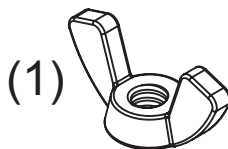
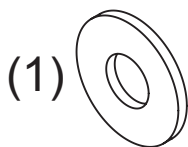
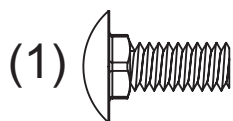
16



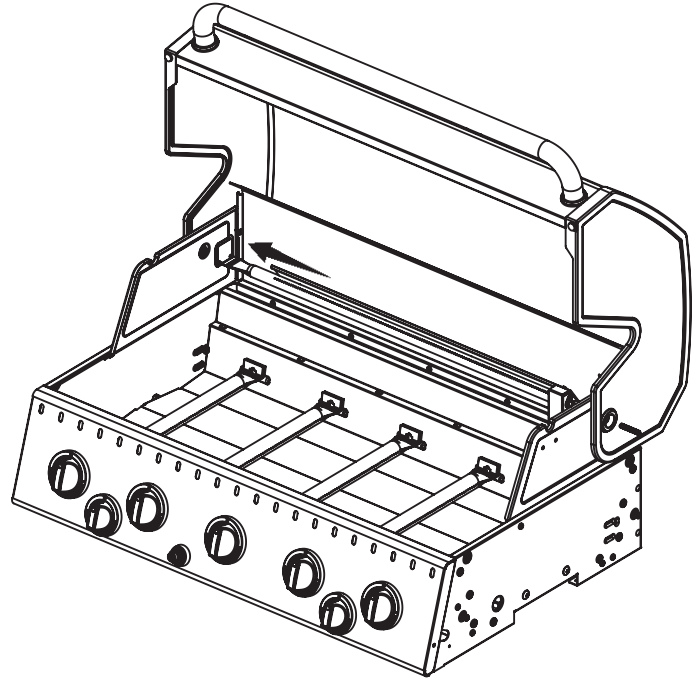
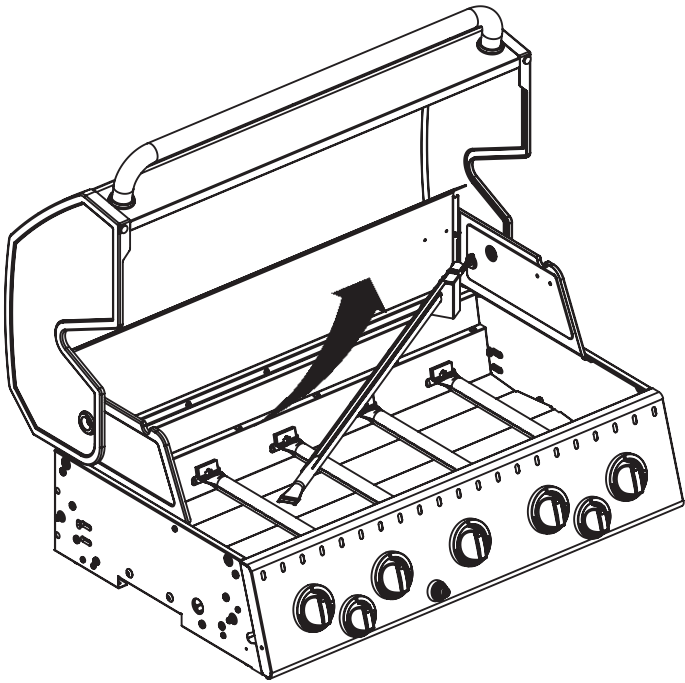
17



18



19



20

