

This Owner's Manual is provided and hosted by [Appliance Factory Parts](#).



# **Sterling 5133-67 Owner's Manual**

[Shop genuine replacement parts for Sterling 5133-67](#)

***STERLING*** 

[Find Your Sterling Grill Parts - Select From 509 Models](#)

----- Manual continues below part list -----

## Available Replacement Parts for Sterling 5133-67

<a href="#">PF2011-29</a>	PUSH BUTTON IGNITER, 4 WIRE
<a href="#">96021</a>	HEAT PLATE PORCELAIN STEEL
<a href="#">66025</a>	grid, ci, 17.375 x 31.875; Huntington
<a href="#">00475</a>	heat indicator
<a href="#">16121</a>	BURNER TUBE, EACH SS
<a href="#">08012</a>	BURNER CROSSOVER BAR, SS
<a href="#">04831</a>	ELECTRODE WITH WIRE



REDI-BILT BARBECUES

ASSEMBLY MANUAL & PARTS LIST

MANUEL DE MONTAGE & LISTE DE PIÈCES



**STERLING®**

5023-64/67  
5123-64/67  
5123-84/87

**broil-mate™**

7123-64/67  
7123-84/87

**STERLING®**

5133-64/67  
5139-84/87

**broil-mate™**

7133-64/67  
7139-84/87

RETAIN FOR FUTURE REFERENCE

VEUILLEZ CONSERVER POUR REFERENCE ULTERIEURE

1-800-265-2150

info@omcbbq.com

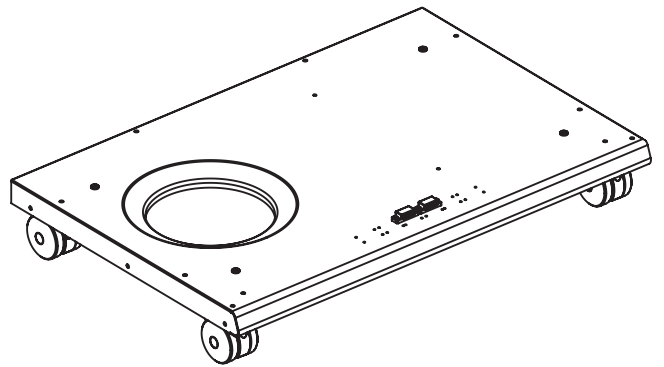
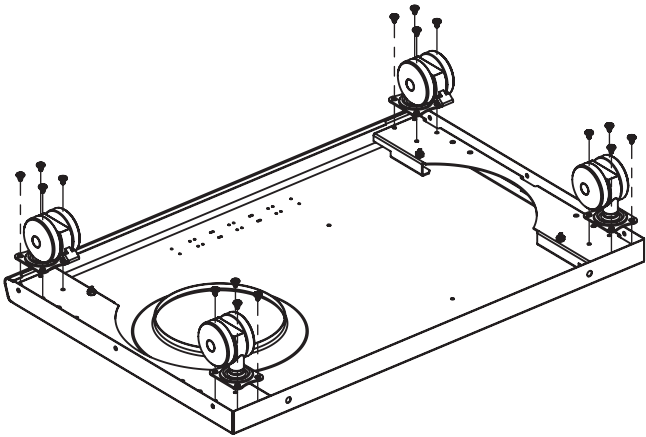
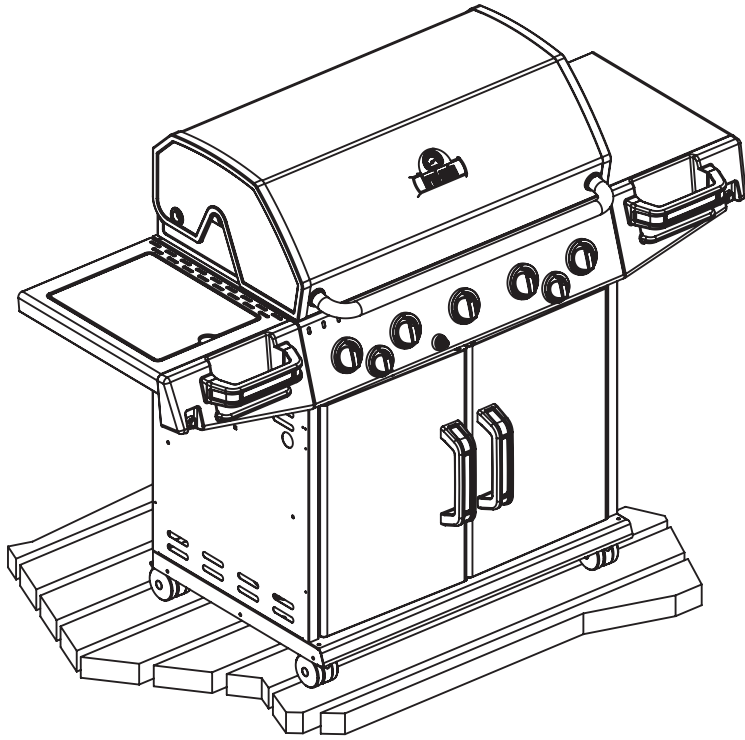
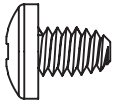
*Onward*  
MANUFACTURING COMPANY  
SINCE 1906  
1000 EAST MARKET STREET  
HUNTINGTON, INDIANA, 46750, USA

20084-E90 REVE 10/11

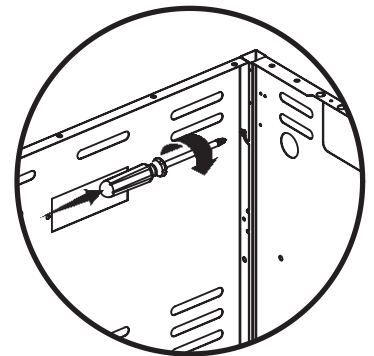
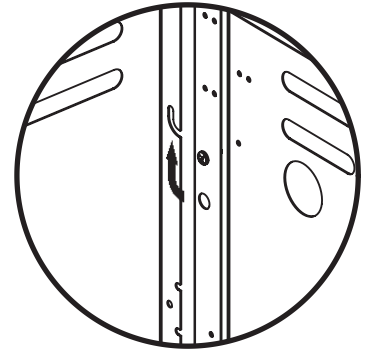
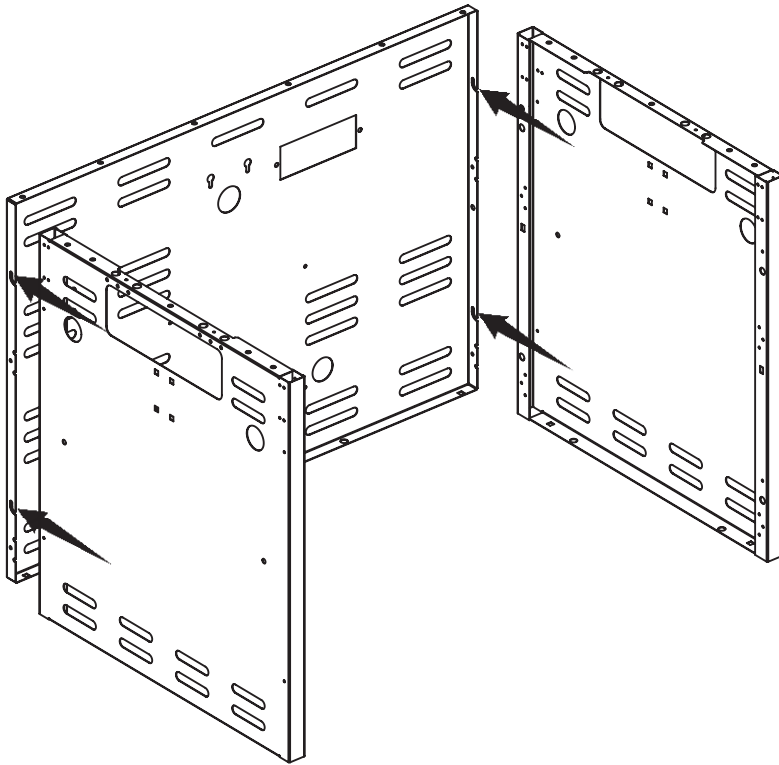


1

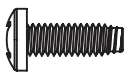
(16)

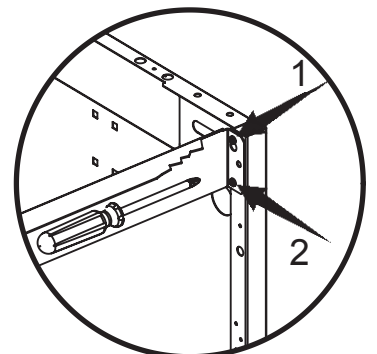
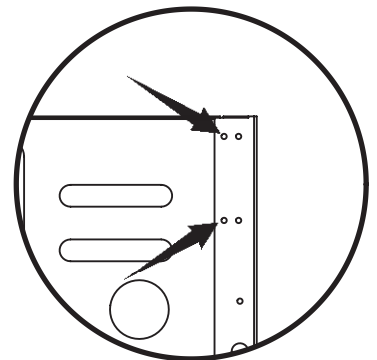
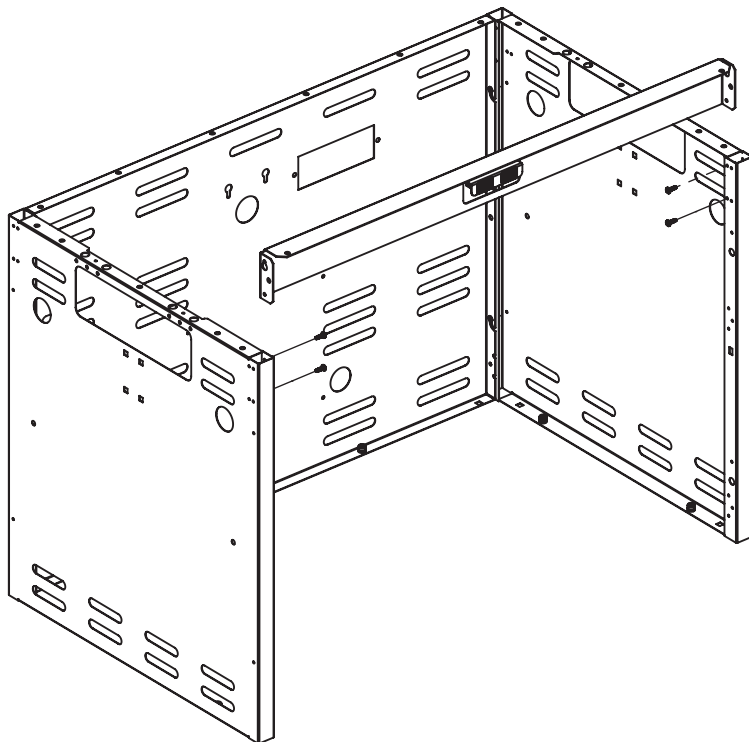


**2**

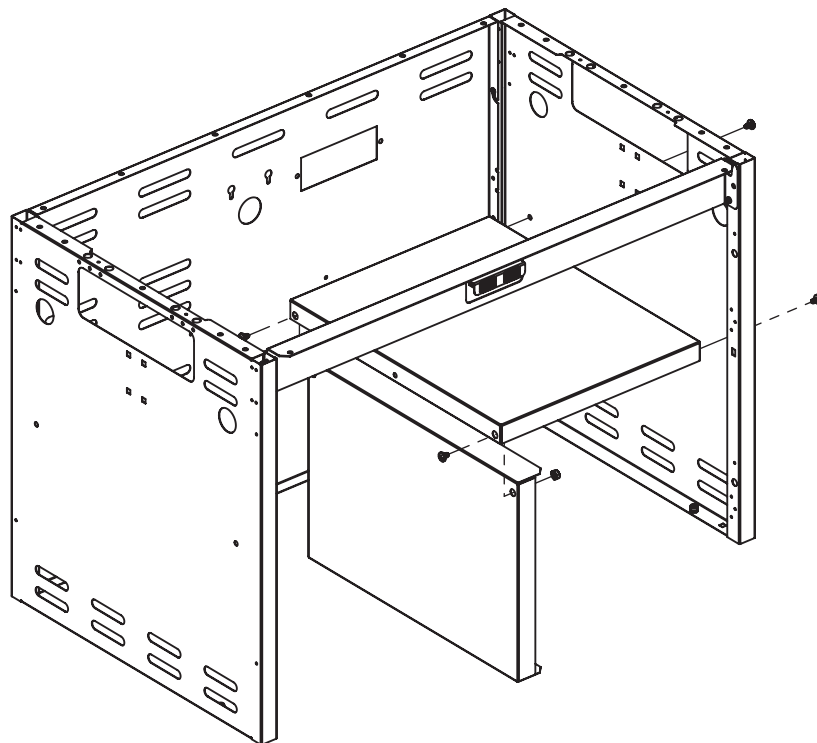
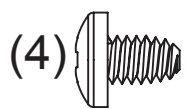


**3**

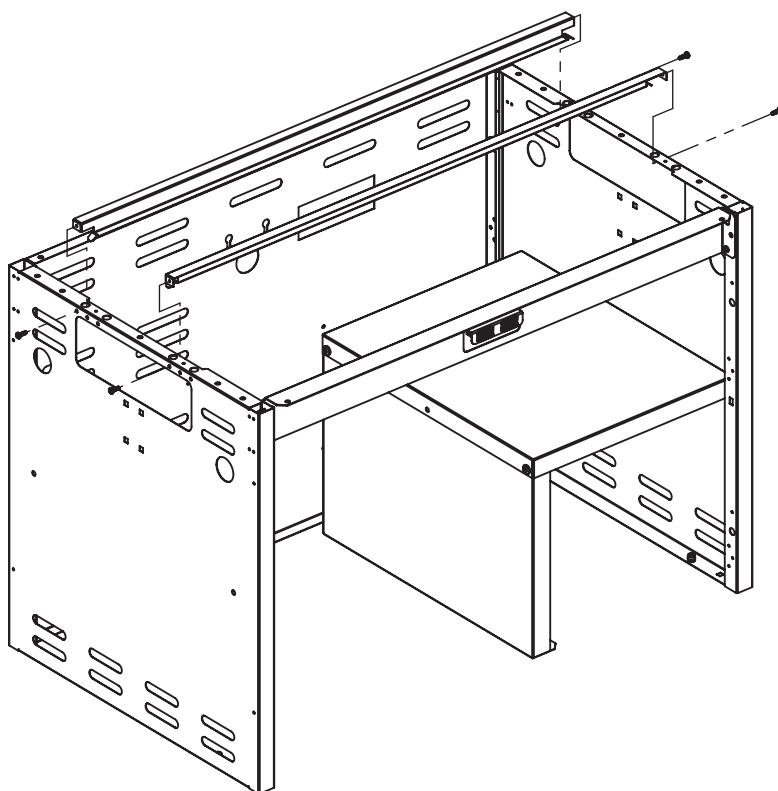
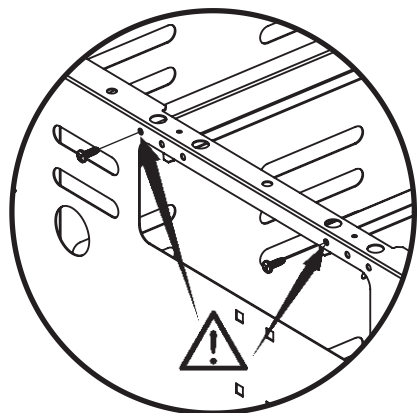
(4) 



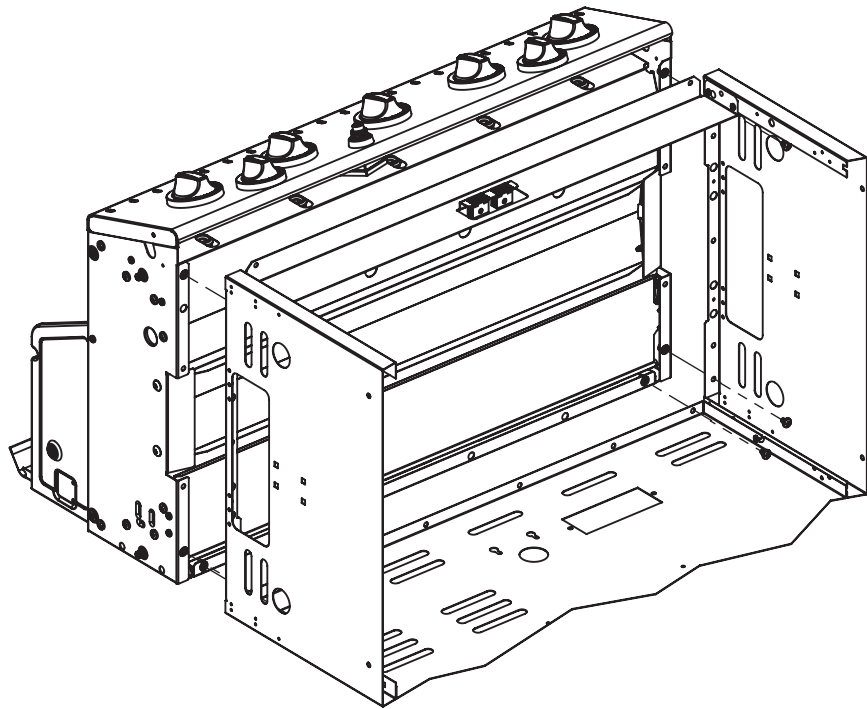
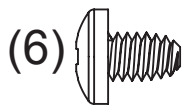
**4**



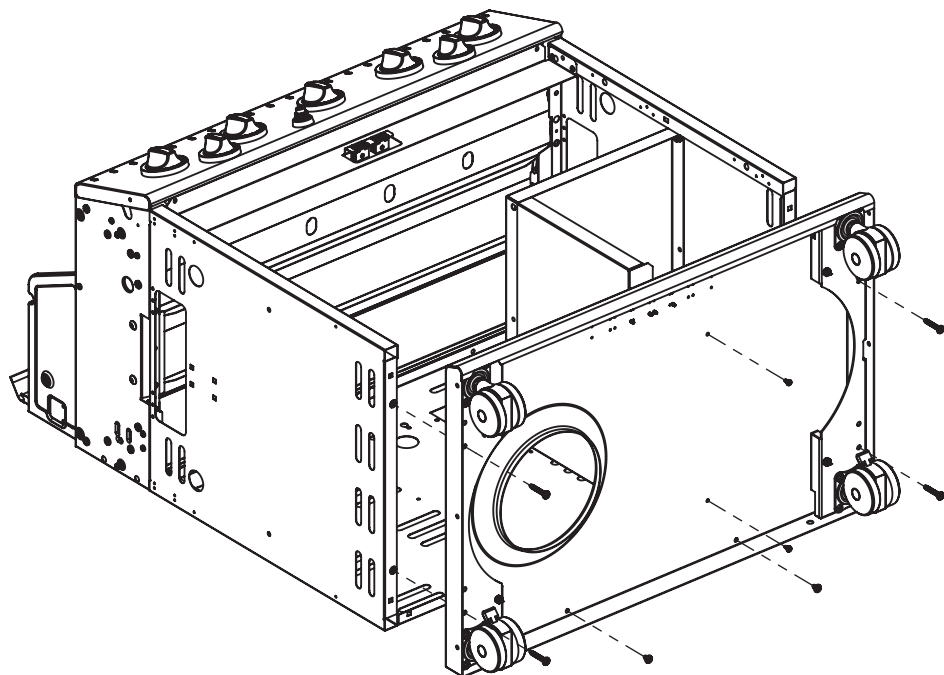
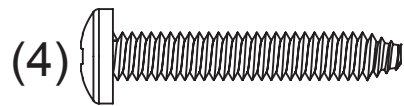
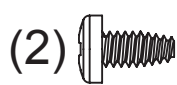
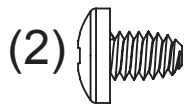
**5**



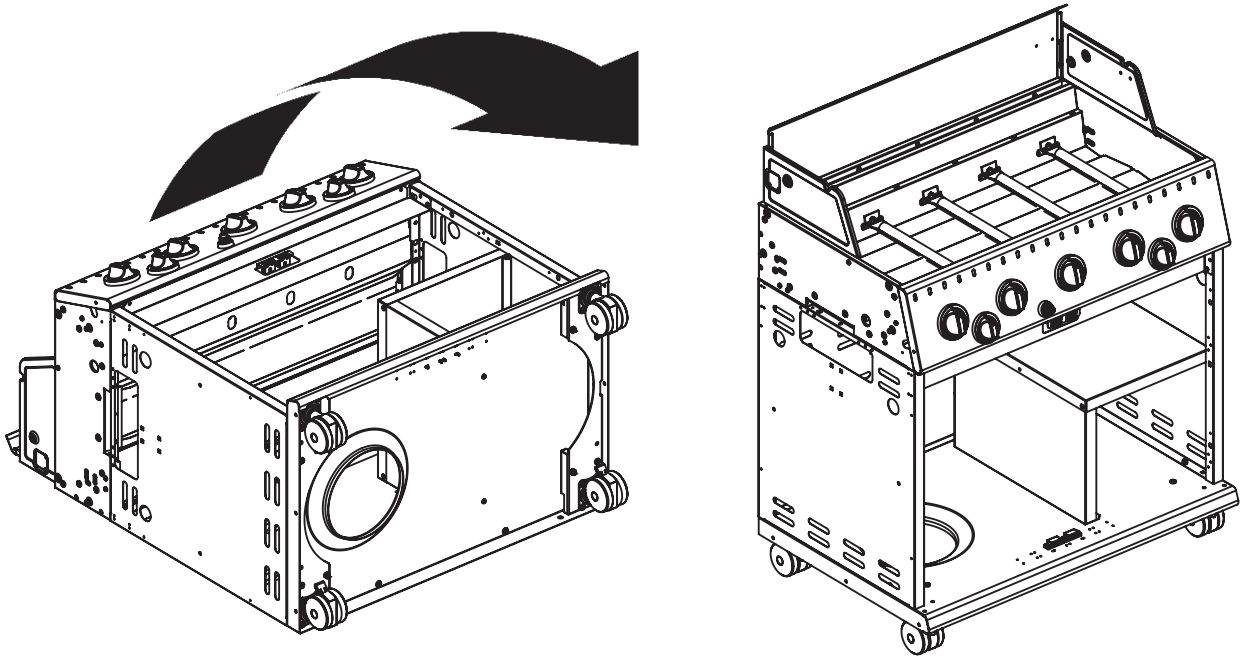
6



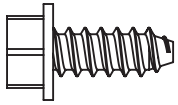
7

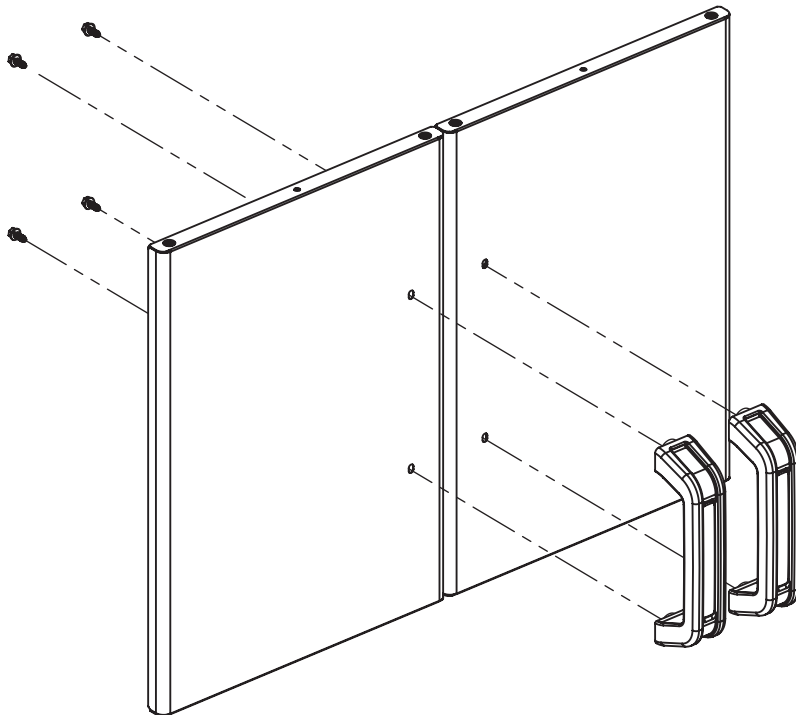


8

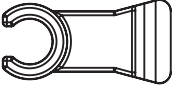


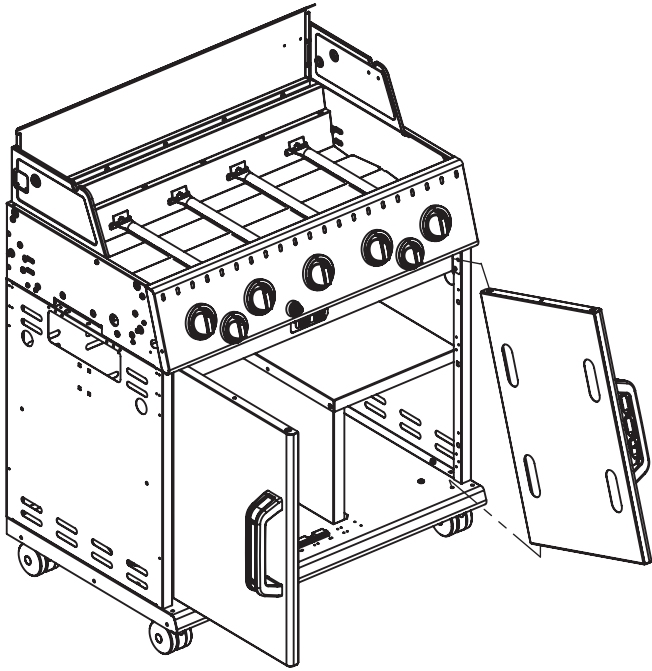
9

(4) 

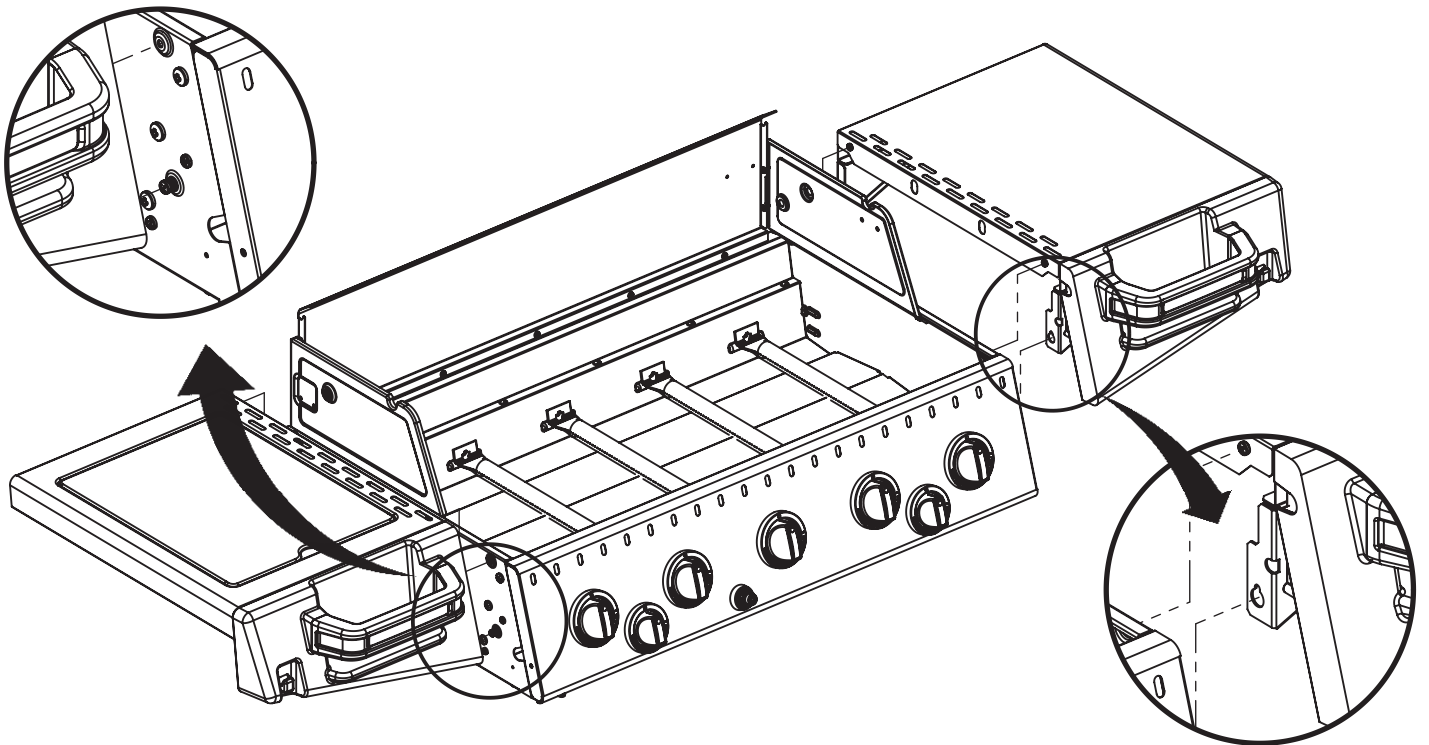


10

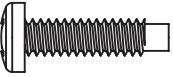
(2) 

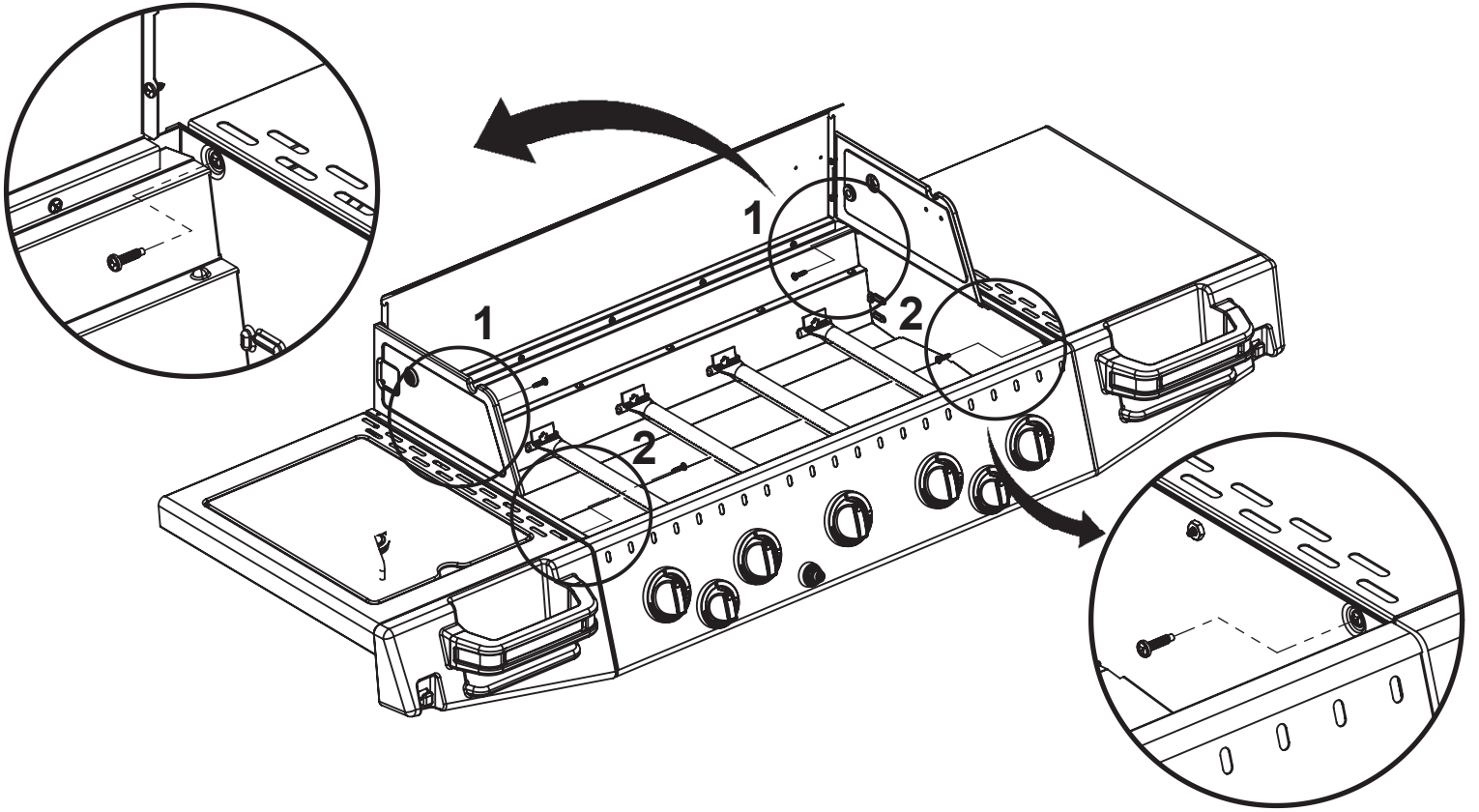


11

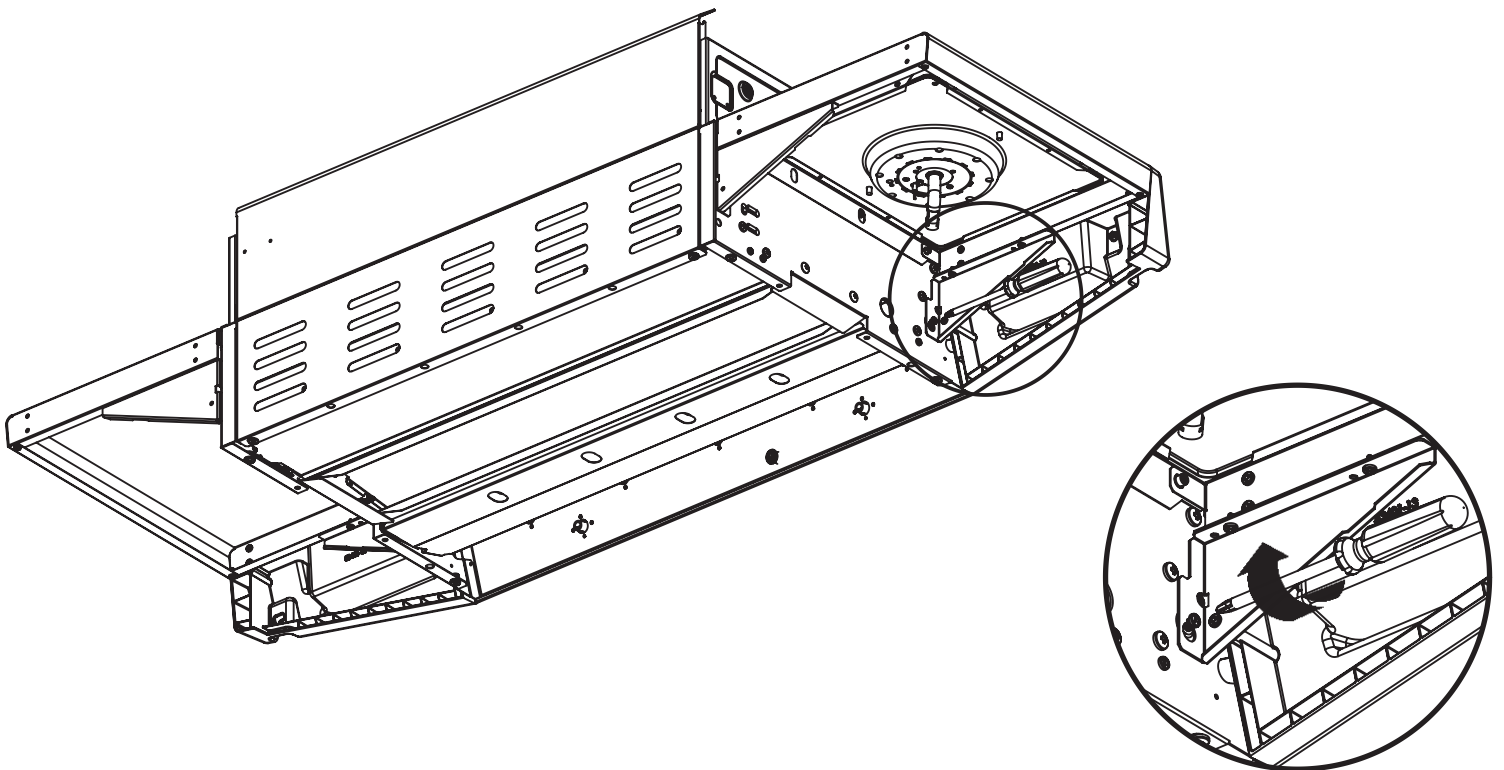


**12**

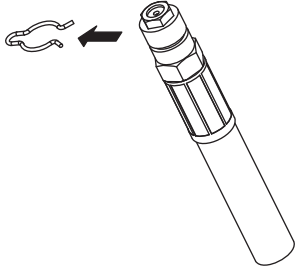
(4) 



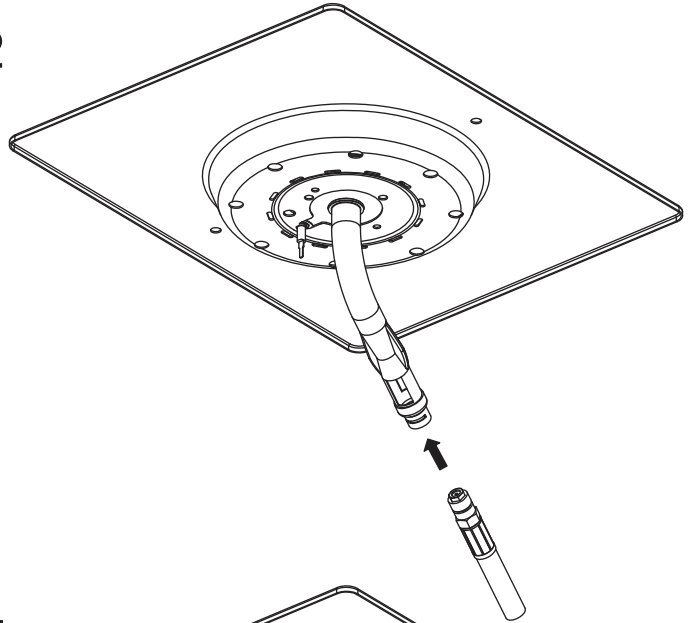
**13**



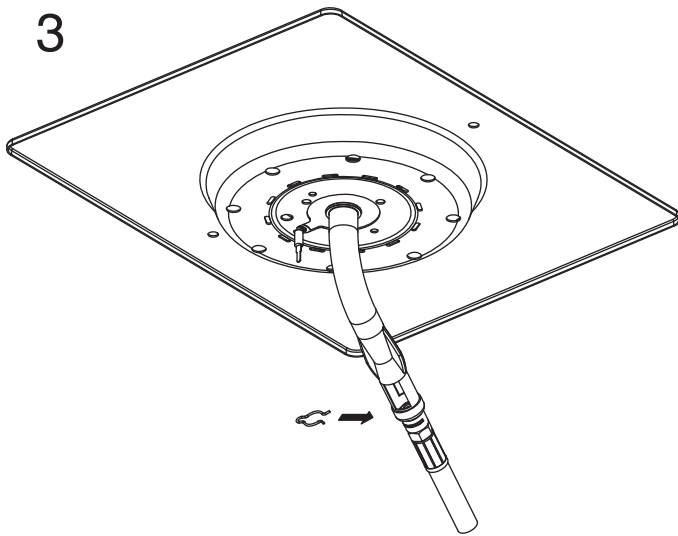
1



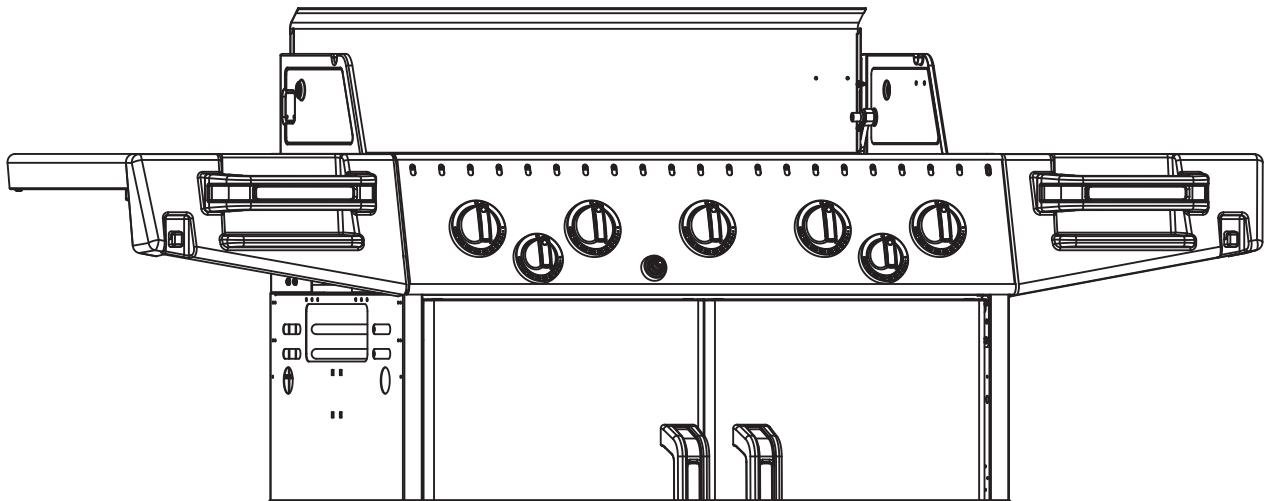
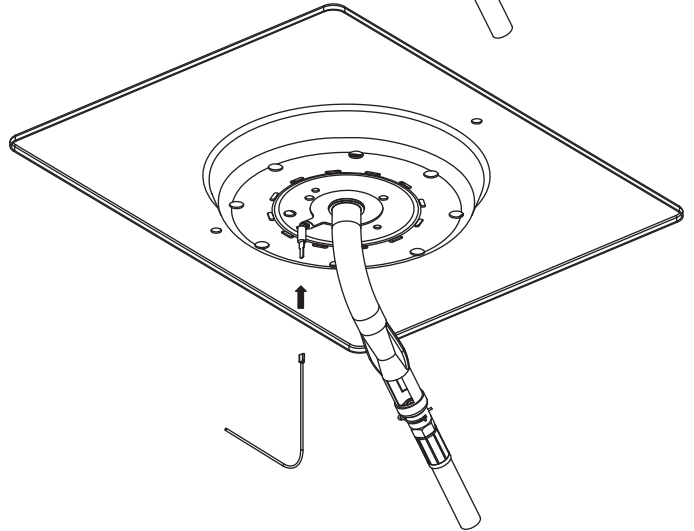
2

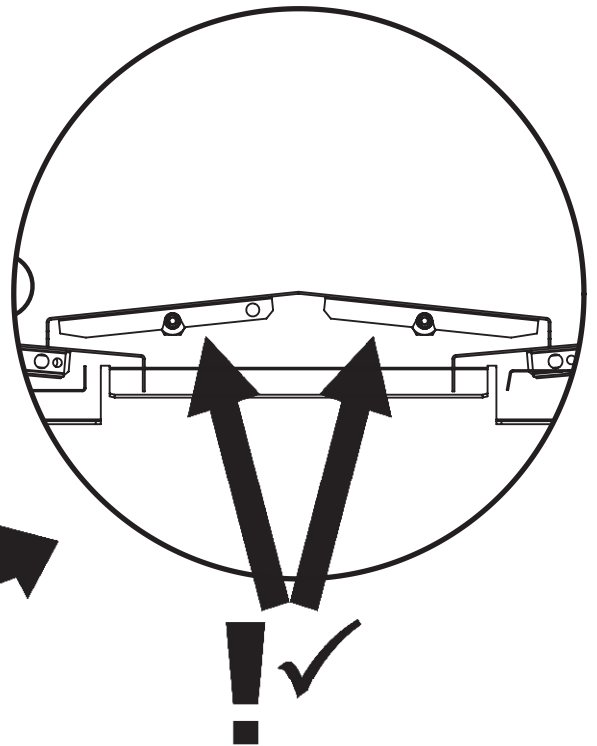
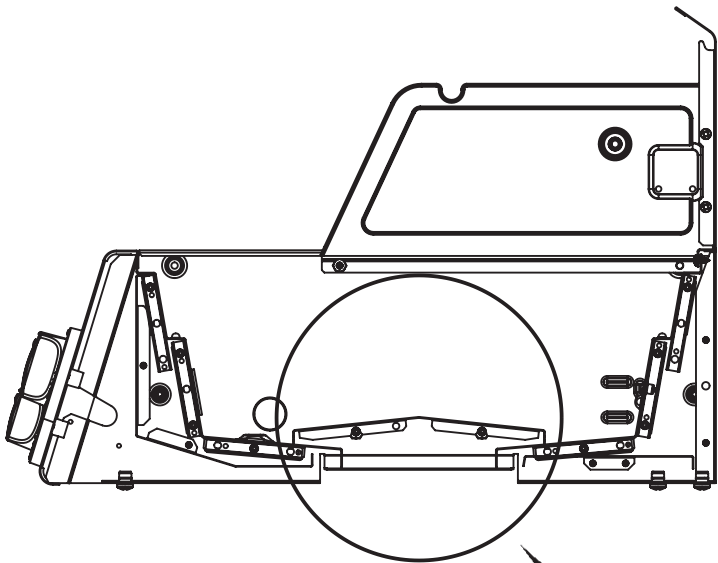
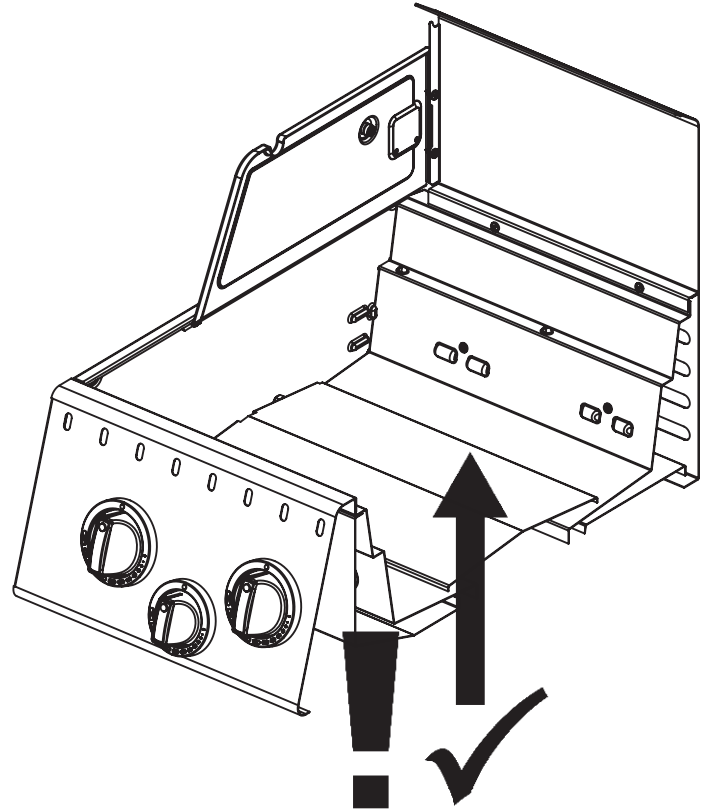
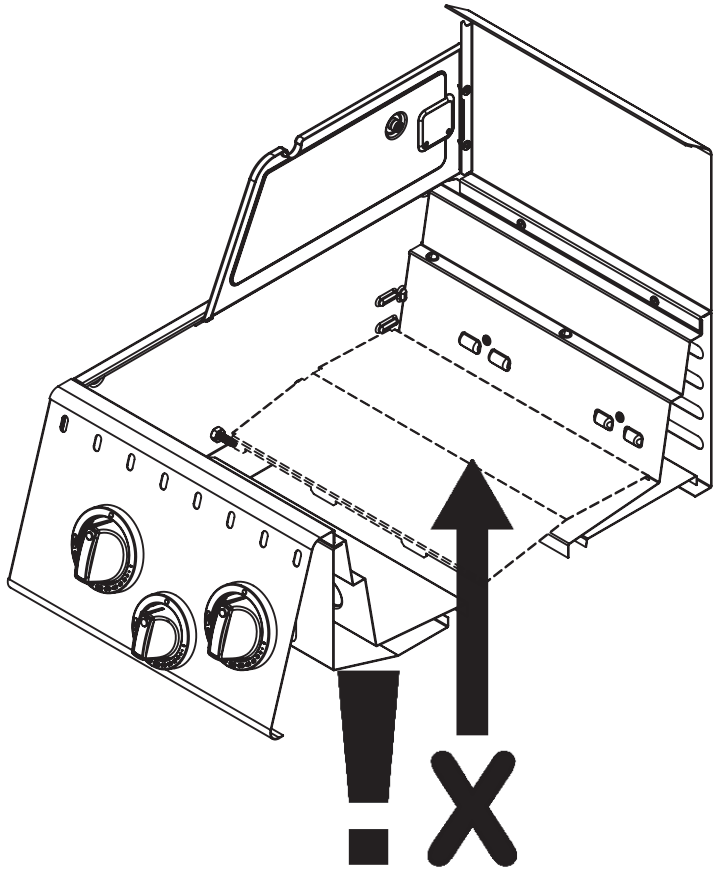


3

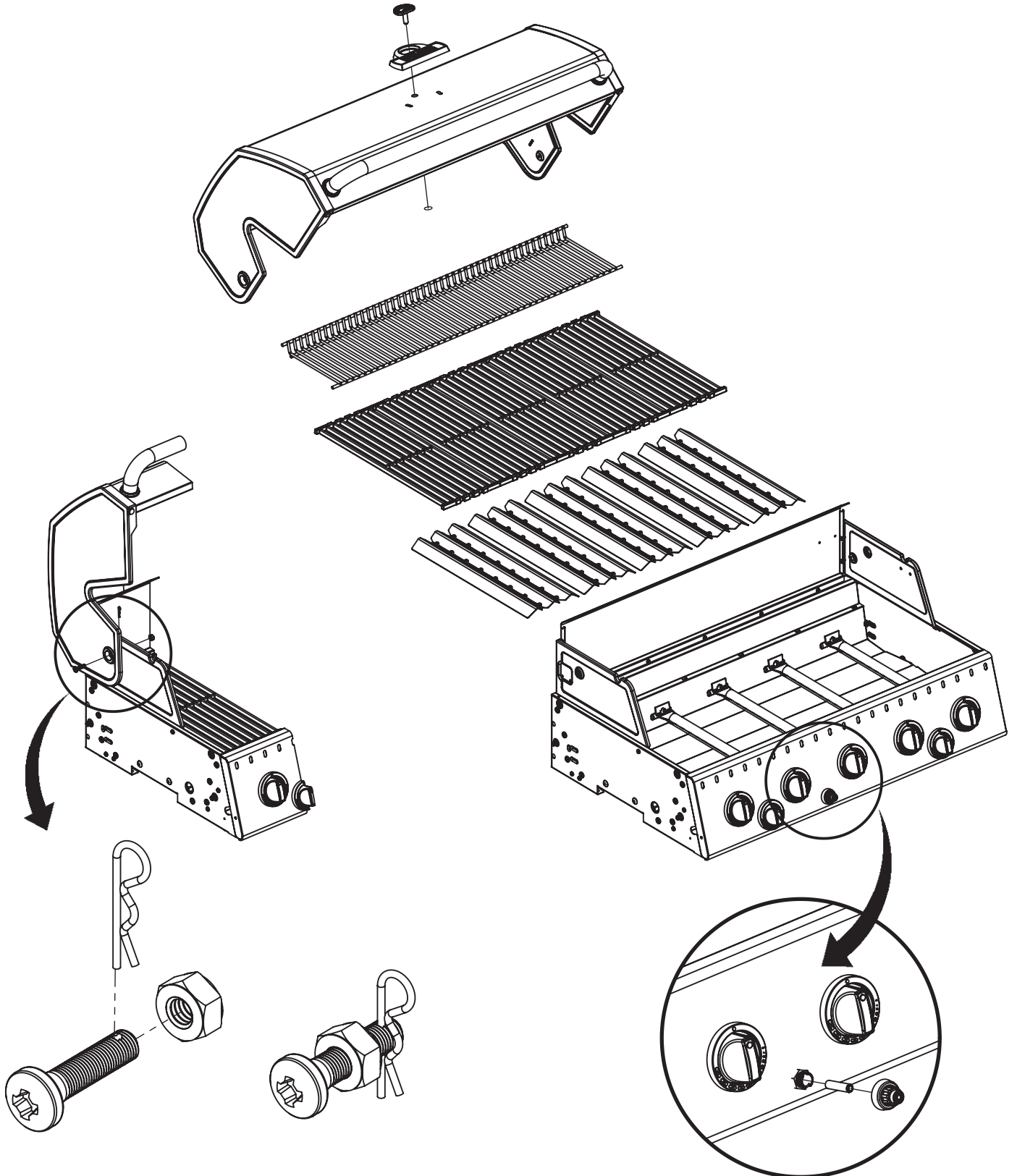
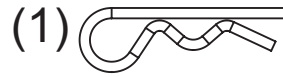
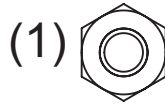
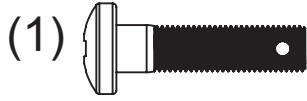


4

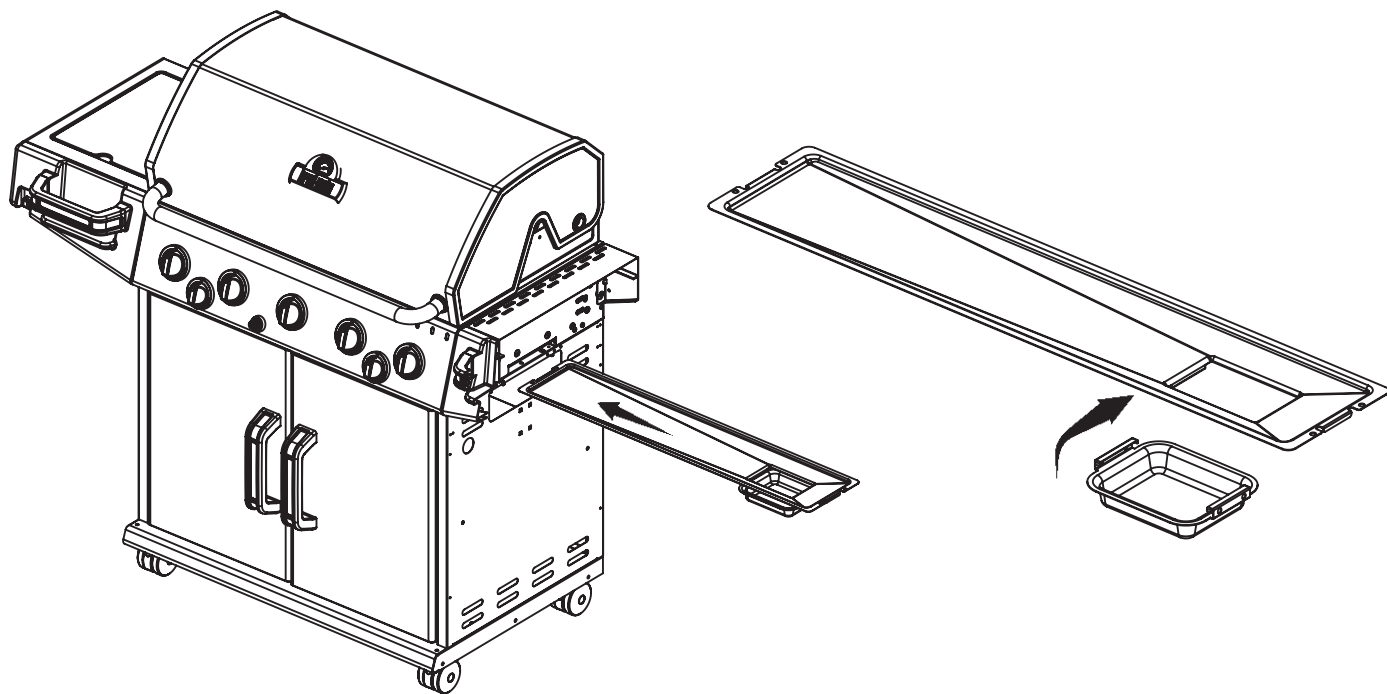




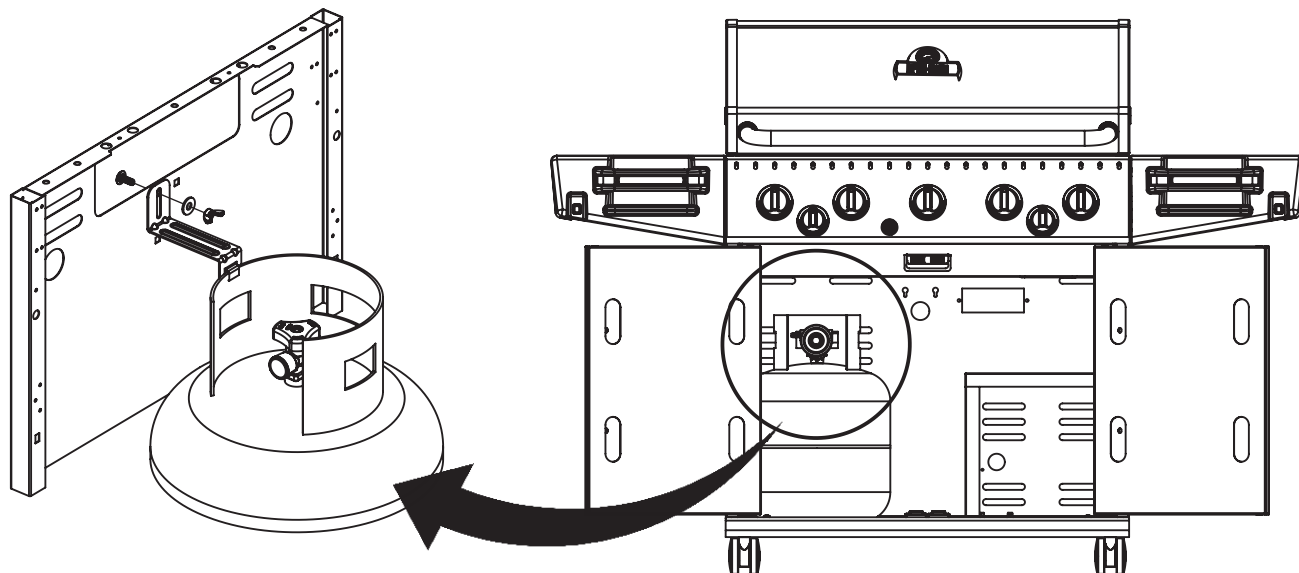
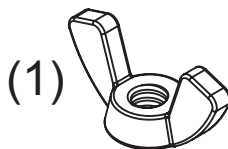
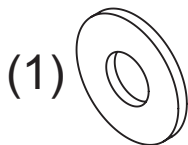
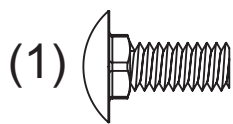
16



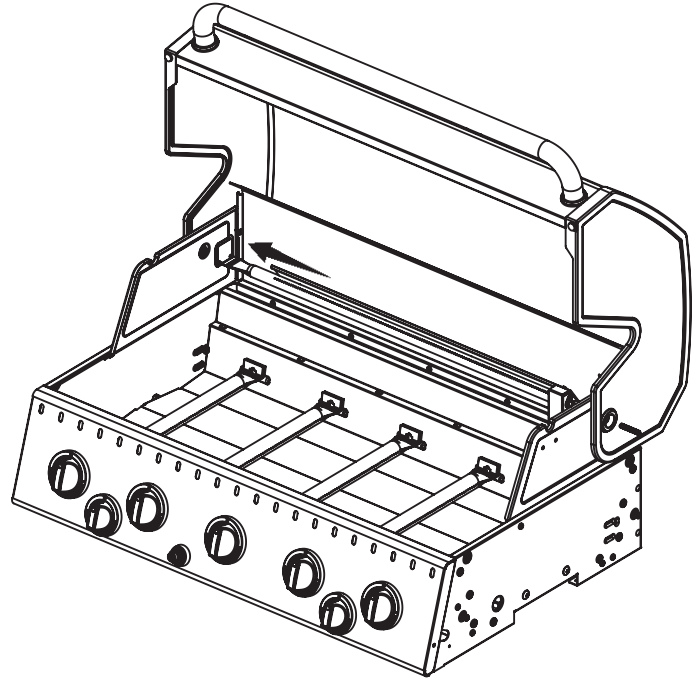
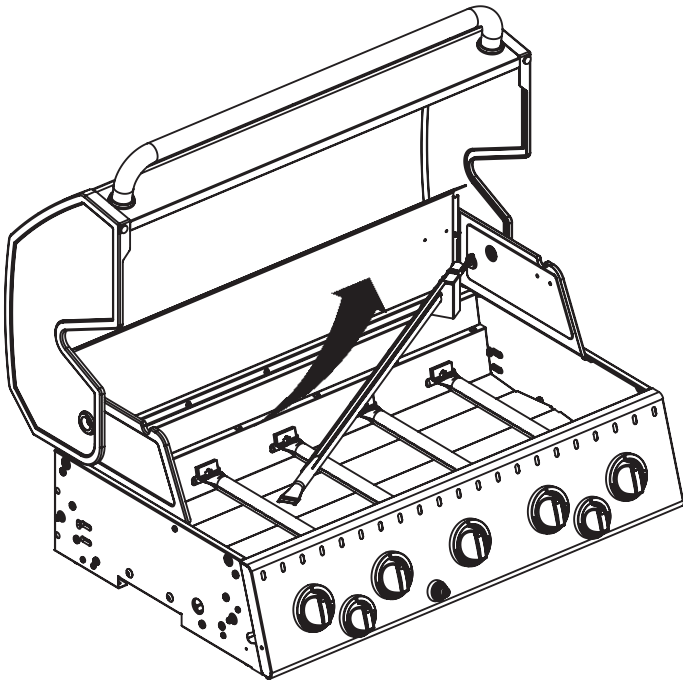
17



18



19



20

