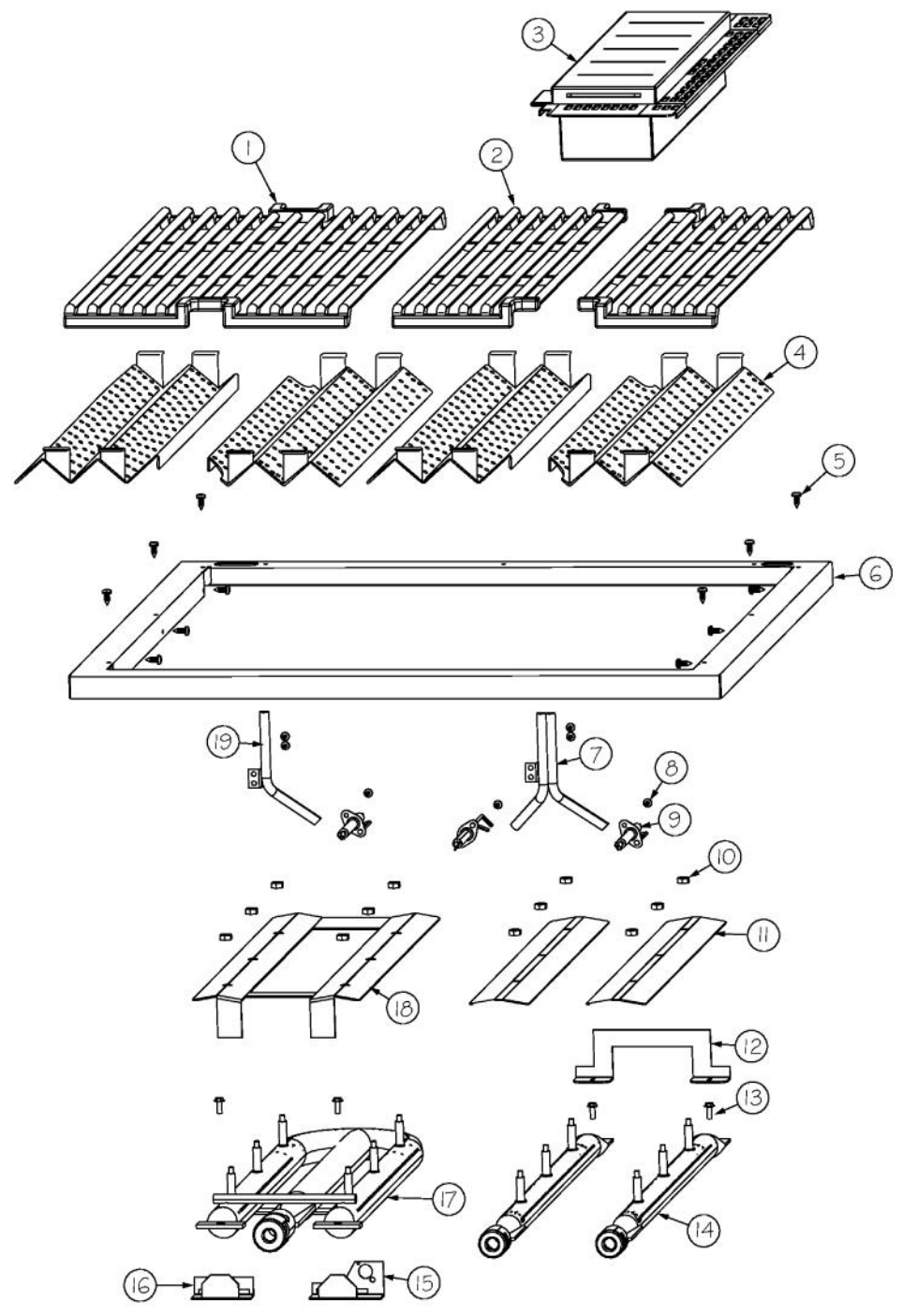
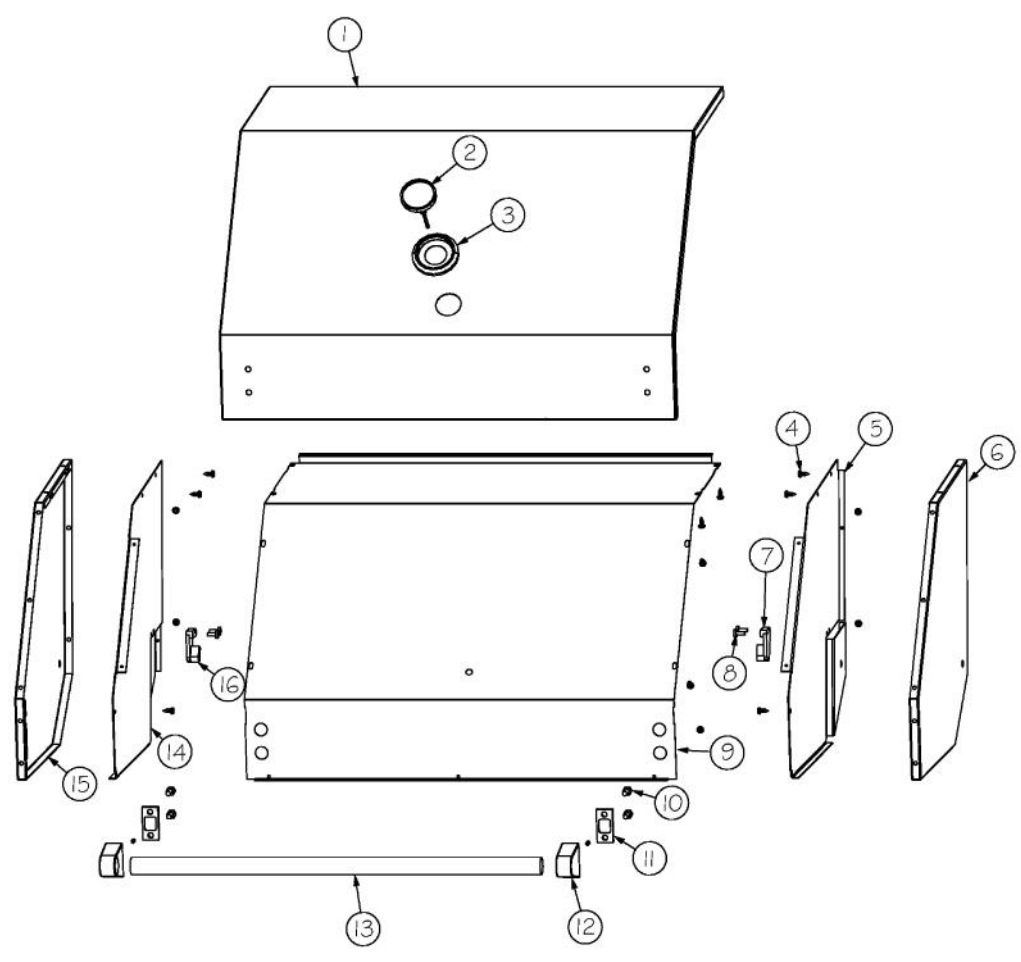


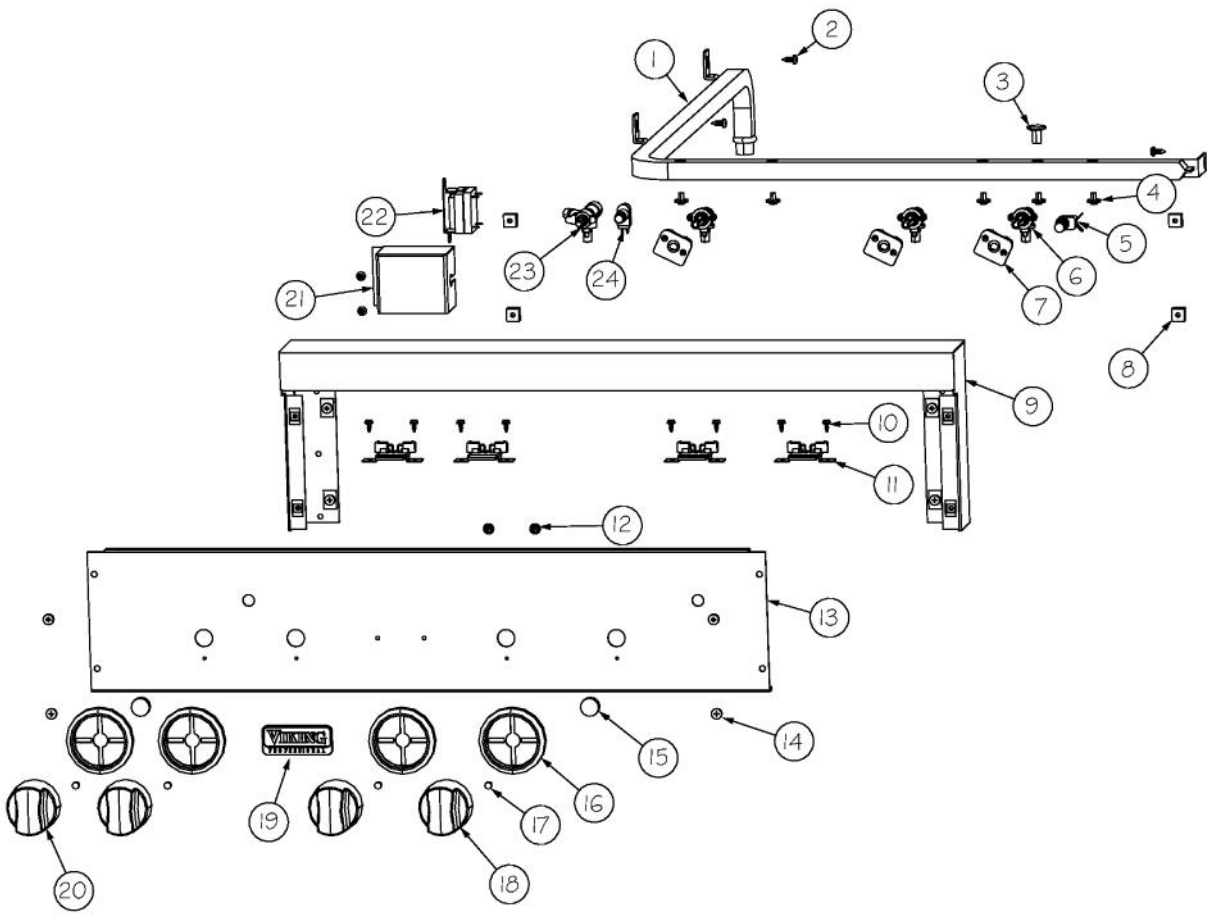
Ref #	Part Number	Qty.	Description
1	L1005399	1	REAR HEAT SHIELD 30``
2	PD020055	53	NO.10 X 1/2 PAN PHIL. TEK. SS
3	002671-000	2	RUBBER DOOR BUMPER
4	003856-000	1	30 GRILL REAR TRIM
5	002353-000	2	GRILL PLUG VENT
6	B2006305	2	HEAT SHIELD BRACKET
7	B20015513	1	GRILL BOX BACK 30
8	002355-000	2	GRILL RECEPTACLE BOX
9	A2000210	1	WIRE CHANNEL
10	L1005398	2	SIDE HEAT SHIELD
11	B2005203	1	GRILL BOX SIDE RH (PHASE 2)
12	008409-000	1	BURNER BOX, ASM, RH
13	B20015510	1	GRILL BOX BOTTOM 30
14	PD040044	1	SNAP THRU BUSHING 1/4DIA CORD
15	PE070791	1	GRILL POWER SUPPLY CORD (8 FT)
16	004089-000	1	POWER CORD SHIELD
17	B30015553	1	0+6 SPARK MODULE TERMINAL HOUSING
18	PE070855	1	E SERIES TERMINAL BLOCK
19	PD020014	1	10X3/4 PH TR HD SMS
20	PA020047	1	INVENSYS 0+4 RE-IGNITION SPARK MODULE
21	008915-000	1	GRILL BOX, FR
22	B2005204	1	PANEL, GRL, LH
23	B2005246	1	BURNER BOX SHIELD (PHASE 2)
NI	019962-000	1	SERVICE POWER CORD SHIELD KIT



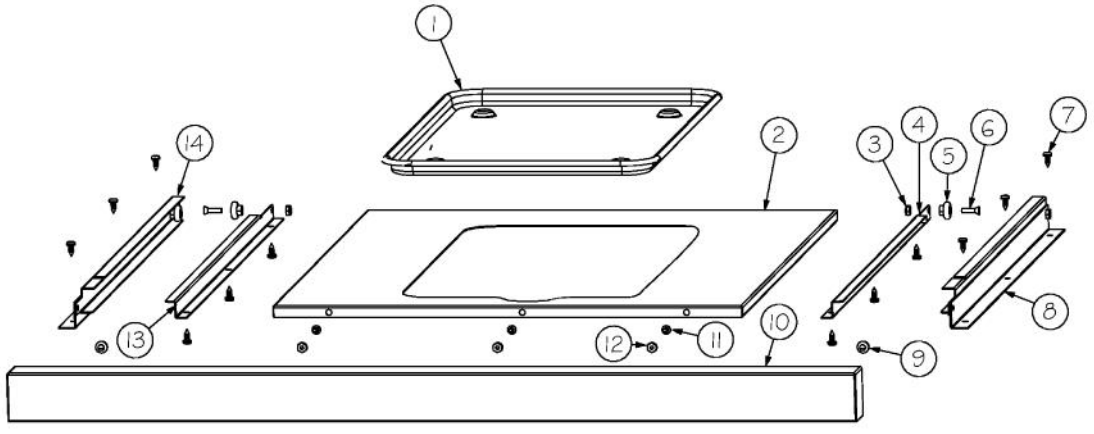
Ref #	Part Number	Qty.	Description
1	002369-000	1	REDESIGN BBQ GRATE - FULL
2	002370-000	2	REDESIGN BBQ GRATE - HALF
3	G3005350	1	SMOKER BOX ASSY (VGBQ3002RT)
4	PK010061	4	HALF FLAVOR GRID PHASE 2
5	PD020055	12	NO.10 X 1/2 PAN PHIL. TEK. SS
6	B20015516	1	GRILL FRAME 30
7	PB020115	1	SMOKER FLASH TUBE
8	008026-000	7	NO.6-20 HEX WASHER SS SCREW
9	PB040288	3	SMOKER BURNER IGNITER
10	PD030060	12	NO.10-32 KEPS NUT SS
11	006757-000	2	SMOKER DRIP SHIELD
12	B2005248	1	FRONT BURNER BRACKET (PHASE 2)
13	PD020048	4	NO.10 X 1/2 TEK 410 SS SCREW
14	PA080051	1	SMOKER/GRILL BURNER
15	008181-000	1	BRCKT, IGNITOR, MT.
16	006011-000	1	GRILL BURNER FRONT BRACKET
17	004276-000	1	OUTDOOR GRILL U-BURNER
18	007676-000	1	DRIP SHIELD, U
19	PB020115	1	SMOKER FLASH TUBE
NI	B20015401	1	FLEXIBLE IGNITOR STANDOFF



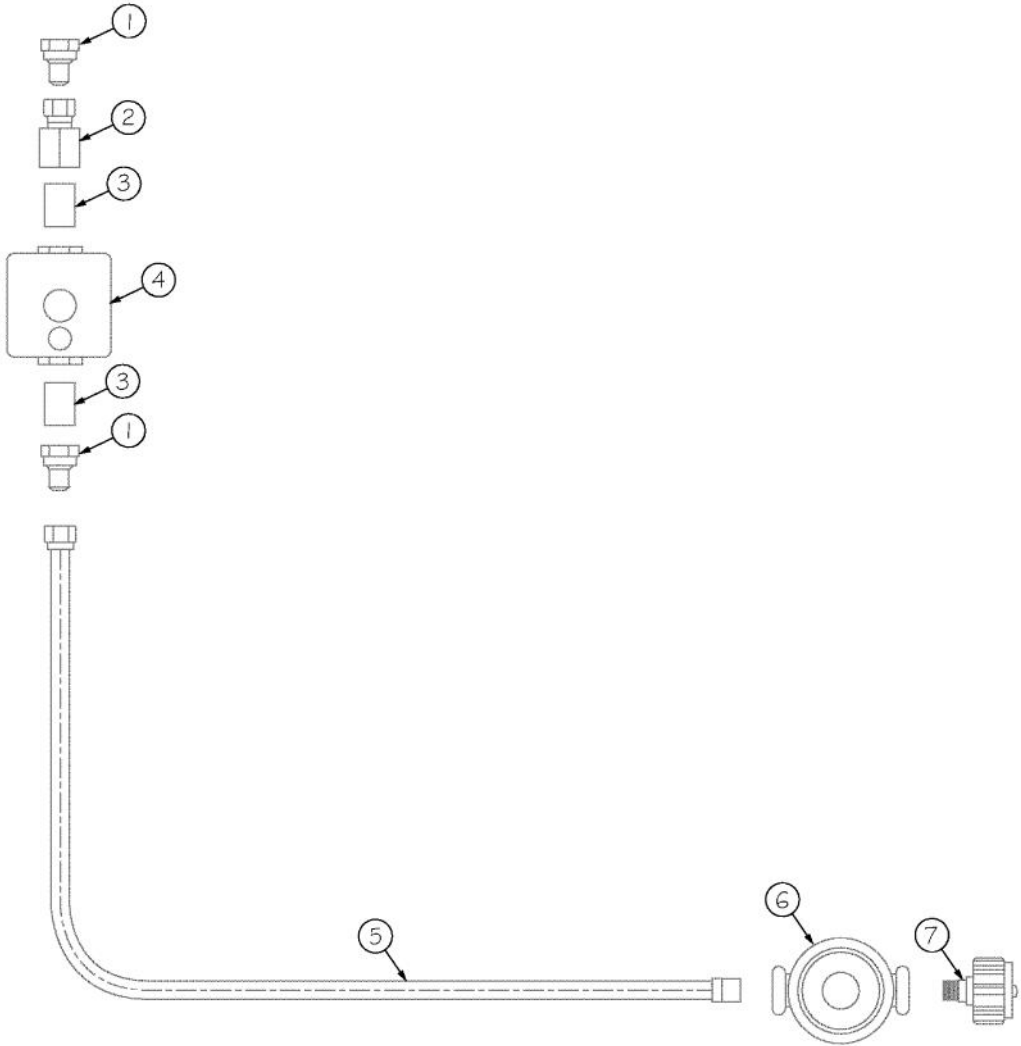
Ref #	Part Number	Qty.	Description
1	003634-000	1	30 OUTER CANOPY
2	PB010337	1	GRILL THERMOMETER
3	003366-000	1	THERMOSTAT BEZEL
4	PD020055	21	NO.10 X 1/2 PAN PHIL. TEK. SS
5	007379-000	1	GRILL CANOPY INSIDE RH
6	003630-000	1	GRILL CANOPY OUTSIDE RH
7	007215-000	1	CANOPY SPRING END MOUNT-RH
8	PD020056	4	NO.10-24 X 1/2 PH.TR. M.S. SS
9	003635-000	1	30 CANOPY HEAT SHIELD
10	PD020069	4	CAP SCREW 1/4-20 X 3/4 SS
11	PD040010	2	DOOR HANDLE SPACER
13	000268-000	2	HANDLE END CAP ASSY
14	PE030041	1	DOOR HANDLE (CANOPY) XSSX (VGBQ30)
15	003633-000	1	GRILL CANOPY INSIDE LH
16	003632-000	1	GRILL CANOPY OUTSIDE LH
17	005941-000	1	CANOPY SPRING END MOUNT-LH



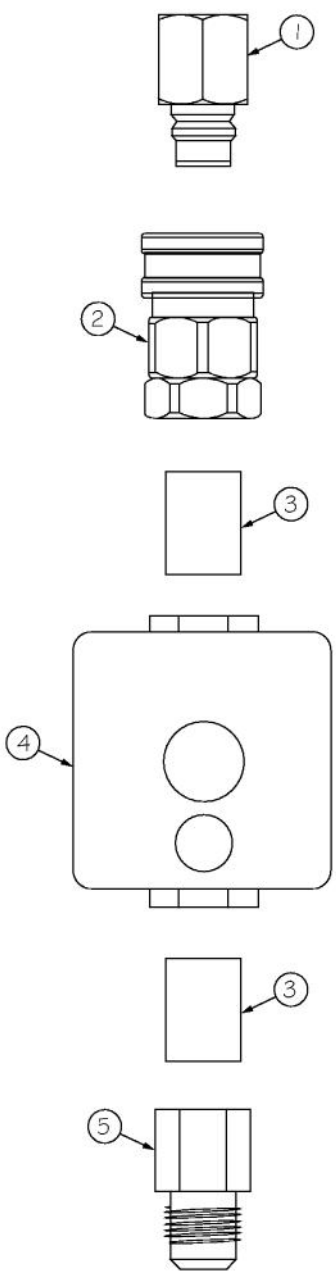
Ref #	Part Number	Qty.	Description
1	PA050070	1	PHASE2 30 MANIFOLD
2	PD020055	5	NO.10 X 1/2 PAN PHIL. TEK. SS
3	002884-000	1	MANIFOLD PLUG
4	PD010012	5	VALVE BOLT 1/4-20 UNC-2B 5/16 M.S.
5	PE050019	1	OVEN LIGHT SWITCH (VGSO166) 90-DEG.
6	006390-000	3	GAS VALVE - NAT.
7	PA020045	3	IGNITOR SWITCH
8	PD030050	4	10-24 CAGE NUT SS
9	PK010063	1	LANDING LEDGE (VGBQ30) T SERIES
10	008026-000	8	NO.6-20 HEX WASHER SS SCREW
11	005999-000	4	LED BOARD ASSEMBLY
12	PD030006	2	CAPPED WASHER PAL NUT
13	006060-000	4	VGBQ3002RE1 CONTROL PANEL
14	PD020056	1	NO.10-24 X 1/2 PH.TR. M.S. SS
15	PB010163	2	OVEN LIGHT SWITCH KNOB BK
16	PB010304	4	KNOB BEZEL
17	PD020067	4	NO.6 X 3/8 PAN PHIL. TEK SS
18	003561-000	3	OUTDOOR GRILL KNOB
19	PE010142	1	3 LOGO XBKXXCHROME
20	003563-000	1	ROTIS BURNER KNOB
21	007657-000	1	PROT. COVER
22	006021-000	1	SCE, PWR, LED, 12VAC
23	PB010191	1	I.R. SAFETY VALVE (PHASE II GRILLS)
24	PE050063	1	SPARKER SWITCH



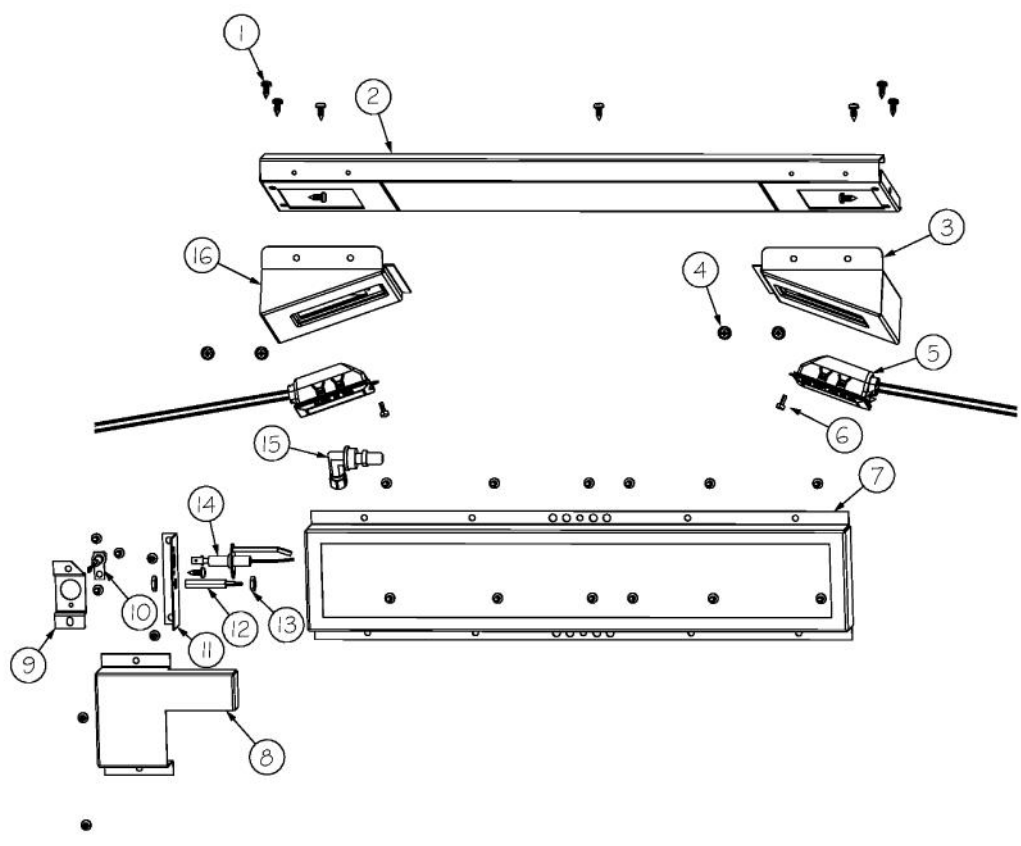
Ref #	Part Number	Qty.	Description
1	PB080061	1	GREASE PAN
2	B2005312	1	DRIP TRAY 30 (PHASE 2)
3	PD030044	2	10-24 KEPS NUT SS
4	B2005316	1	DRIP TRAY RUNNER RH
5	PC020025	2	DRIP TRAY WHEEL
6	PD020082	2	10 X 24 COUNTERSUNK S.S. SCREW
7	PD020055	9	NO.10 X 1/2 PAN PHIL. TEK. SS
8	G3005214	1	DRIP TRAY SLIDE - LH
9	PD04004	2	SNAP THRU BUSHING 1/4DIA CORD
10	PK010066	1	DRIP TRAY HANDLE (VGBQ30) T SERIES
11	PD020056	3	NO.10-24 X 1/2 PH.TR. M.S. SS
12	PD030044	3	10-24 KEPS NUT SS
13	B2005317	1	DRIP TRAY RUNNER LH (PHASE 2)
14	G3005214	1	DRIP TRAY SLIDE - LH



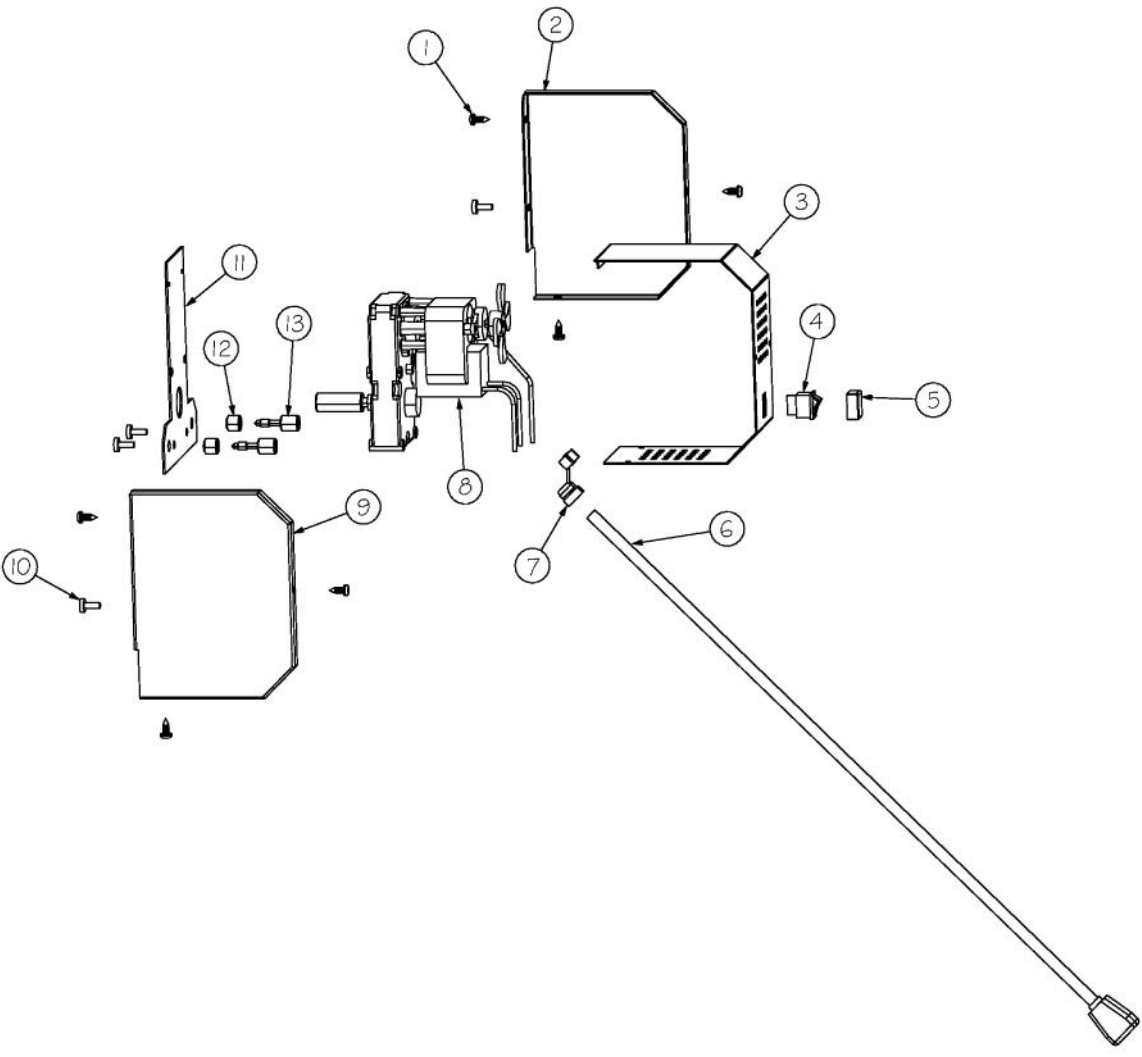
Ref #	Part Number	Qty.	Description
1	PB040146	2	1/2 X 3/8 FLARE ADAPTER (VGBQ)
2	PB040235	1	1/2NPT TO 3/8 FLARE COUPLING
3	PB040046	2	1/2 CLOSE NIPPLE (VGSO166)
4	PA070005	1	PRESSURE REG.(LP) RV47L-77-10.0
5	PB020227	1	HIGH PRESSURE LP HOSE
6	PA070007	1	LP TANK REGULATOR (VGBQ)
7	PA010138	1	CYLINDER CONNECTION



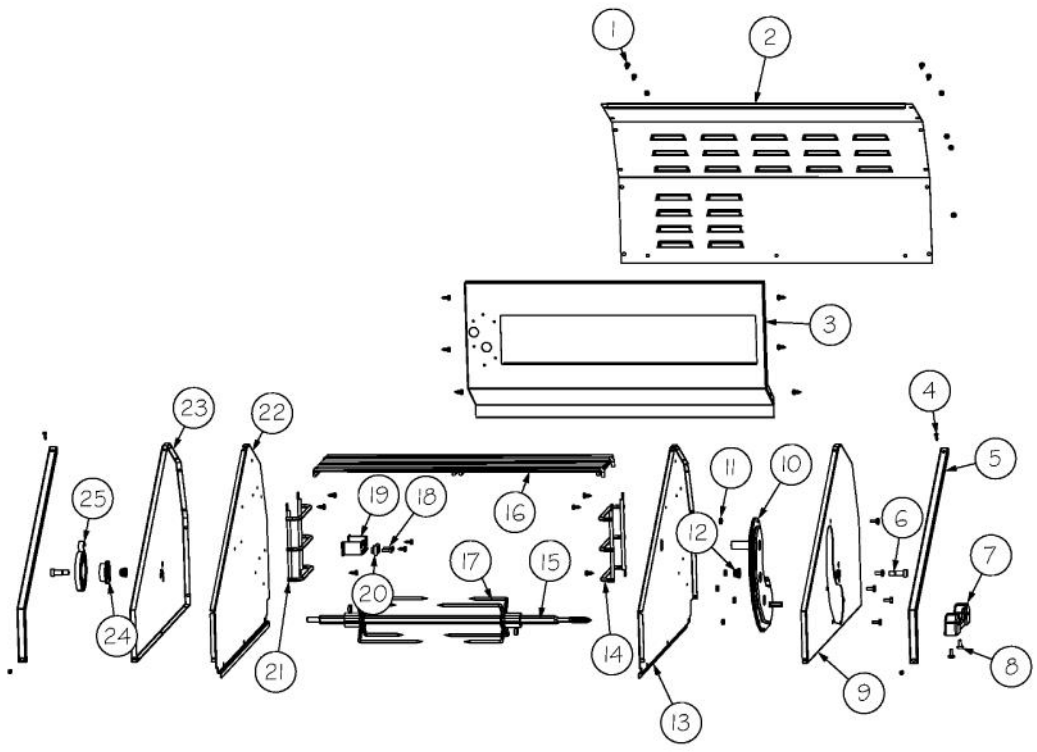
Ref #	Part Number	Qty.	Description
1	PB040167	1	MALE COUPLER (PHASE 1 GRILL)
2	PB040166	1	FEMALE COUPLER (PHASE 1 GRILL)
3	PB040046	2	1/2 CLOSE NIPPLE (VGSO166)
4	PA070006	1	PRESSURE REGULATOR - NATURAL
5	PB020239	1	7/8 FLARE TO 1/2 FEMALE CONNECTOR



Ref #	Part Number	Qty.	Description
1	PD020055	29	NO.10 X 1/2 PAN PHIL. TEK. SS
2	E20015559	1	30 FRONT HOUSING TOP
3	000603-000	1	GRILL LIGHT HOUSING RH
4	PD020073	4	SRW NO.10 X 24 X 3/8 WAFER HD TYPE23
5	001310-000	2	120V HALOGEN LIGHT
6	PD020067	2	NO.6 X 3/8 PAN PHIL. TEK SS
7	B2005347	1	INFRARED FRAME
8	B20015402	1	I/R IGNITOR COVER LH
9	B20015401	1	FLEXIBLE IGNITOR STANDOFF
10	PB040280	1	FLEXIBLE ROTISSERIE IGNITOR
11	B20015403	1	IR IGNITOR BRACKET
12	PB010162	1	THERMOCOUPLE - BBQ GRILL W/ ROTIS
13	PD030048	2	THERMOCOUPLE NUT M08-VGBQ-8743300007
14	PB040160	1	WOK IGNITER
15	PB040124	1	90 DEG. ORIFICE FITTING
16	000602-000	1	GRILL LIGHT HOUSING LH



Ref #	Part Number	Qty.	Description
1	PD020055	6	NO.10 X 1/2 PAN PHIL. TEK. SS
2	B2005285	1	PHASE II ROTIS BOX FRONT
3	B2005286	1	PHASE II ROTIS COVER
4	PE050051	1	ROTIS SWITCH
5	PE050046	1	ROTIS SWITCH BOOT
6	PE070189	1	ELECTRICAL SUPPLY CORD - BBQ GRILL
7	PD040044	1	SNAP THRU BUSHING 1/4DIA CORD
8	PE070184	1	ROTISSERIE MOTOR
9	B2005284	1	PHASE II ROTIS BOX FRONT
10	PD020056	4	NO.10-24 X 1/2 PH.TR. M.S. SS
11	B1005283	1	ROTIS. MOUNTING PLATE (PHASE 2)
12	PD030064	2	CAPTURE NUT 1/4 NO.20
13	PD010090	2	ROTIS FASTENER KNOB
NI	PC070024	1	ROTIS. GEAR BOX ASSY
NI	G3205282	1	ROTIS MOTOR ASSEMBLY (PHASE 2) (INCLUDES ITEMS 1 THRU 13)



Ref #	Part Number	Qty.	Description
1	PD020055	29	NO.10 X 1/2 PAN PHIL. TEK. SS
2	003652-000	1	30 GRILL REAR COVER
3	G91015522	1	FRONT HOUSING ASSY (VGIQ3002RT)
4	000394-000	4	NO.8 SS TECH SCREW - COUNTERSINK
5	B20015574	2	GRILL WINDSHIELD TRIM
6	PD010043	2	5/16INCH SHOULDER BOLT (PHASE 2)
7	PB060055	1	ROTISSERIE MOUNT CASTING
8	PD020056	7	NO.10-24 X 1/2 PH.TR. M.S. SS
9	B20015575	1	OUTSIDE WINDSHIELD - RH
10	PC070024	1	ROTIS. GEAR BOX ASSY
11	PD030044	5	10-24 KEPS NUT SS
12	G5005257	2	OUTSIDE WINDSHIELD ASSY LH
13	B20015418	1	INSIDE WINDSHIELD RH
14	PB060112	1	WARMING RACK SUPPORT RH
15	PB060054	1	ROTIS SPIT ROD 30
16	PB060057	1	WARMING RACK 30
17	PB060058	2	SPIT FORK
18	PD020082	2	10 X 24 COUNTERSUNK S.S. SCREW
19	PC020025	1	DRIP TRAY WHEEL
20	B2005278	1	ROTISSERIE ROLLER BRACKET (PHASE 2)
21	PB060113	1	WARMING RACK SUPPORT LH
22	B20015419	1	INSIDE WINDSHIELD LH
23	B20015576	1	OUTSIDE WINDSHIELD-LH
24	005942-000	1	SPRING INDEX
25	003746-000	1	FLAT TORSION SPRING FOR OUTDOOR GRILL CANOPY