

Insta-Flame

by MAJESTIC



*For Rear Vented
Direct Vent
Models*

DVR33

DVR36

DVR39

Installation & Operating Instructions

WARNING! IF THE INFORMATION IN THIS MANUAL IS NOT FOLLOWED EXACTLY, A FIRE OR EXPLOSION MAY RESULT CAUSING PROPERTY DAMAGE, PERSONAL INJURY OR LOSS OF LIFE.

FOR YOUR SAFETY

WHAT TO DO IF YOU SMELL GAS:

- * Do not try to light any appliance.
- * Do not touch any electric switch; do not use any phone in your building.
- * Immediately call your gas supplier from your neighbours phone. Follow the gas suppliers instructions.
- * If you cannot reach your gas supplier call the fire department.
- * Open windows/Extinguish all flames.

FOR YOUR SAFETY

DO NOT STORE
OR USE GASOLINE OR OTHER
FLAMMABLE VAPOURS AND LIQUIDS
IN THE VICINITY OF THIS OR ANY
OTHER APPLIANCE.

- * Installation and service must be performed by a qualified installer, service agency or your gas supplier.

PLEASE KEEP THIS MANUAL FOR FUTURE REFERENCE



475 ADMIRAL BOULEVARD
MISSISSAUGA, ONTARIO
CANADA L5T 2N1

THE CFM
MAJESTIC
PRODUCTS COMPANY

1000 EAST MARKET STREET
HUNTINGTON, INDIANA
U.S.A. 46750



54624
04.96.22

TABLE OF CONTENTS

*Thank you and congratulations on your purchase of a Insta-Flame by Majestic product.
Please read the Installation and Operating instructions before attempting to install your product.*

| | |
|--|----|
| Installation Instructions | 4 |
| Clearance to Combustibles | 4 |
| Fireplace Specifications | 5 |
| Framing & Finishing | 6 |
| Mantels | 6 |
| Gas Specifications | 7 |
| Gas Line Installation | 7 |
| Installation of Remote Wall Switch | 7 |
| Wiring Diagram | 8 |
| Optional FK24 Fan Kit | 8 |
| | |
| General Venting Information | 9 |
| Termination Clearances | 10 |
| Vertical Sidewall Installations | 10 |
| Vertical Sidewall Applications | 11 |
| Sidewall Venting Graph | 11 |
| How To Use the Vent Graph | 11 |
| Vent Assembly | 11 |
| Below Grade Installations | 13 |
| Vertical Through the Roof Applications | 14 |
| | |
| Customer Operating & Service Instructions | 15 |
| General Glass Information | 15 |
| Louvre Removal | 15 |
| Glass Removal | 15 |
| Glass Cleaning | 15 |
| Installation of Logs | 16 |
| Maintenance | 16 |
| Cleaning Procedure | 16 |
| Flame Adjustment | 16 |
| Lighting & Operating Instructions | 17 |
| Trouble Shooting | 18 |
| Replacement Parts Pictorial | 19 |
| Replacement Parts List | 19 |
| Venting Components | 21 |

INSTALLATION AND OPERATING INSTRUCTIONS

This gas fireplace should be installed by a qualified installer in accordance with local building codes and with current CAN / CGA-B149 (. 1 or .2) Installation codes for Gas Burning Fireplaces and Equipment.

FOR U.S.A Installations follow local codes and/or the current National Fuel Gas Code. ANSI Z223.1.

FOR SAFE INSTALLATION AND OPERATION OF YOUR INSTA-FLAME DIRECT VENT FIREPLACE PLEASE NOTE THE FOLLOWING:

1. This fireplace gives off high temperatures and should be located out of high traffic areas and away from furniture and draperies.
2. Children and adults should be alerted to the hazards of the high surface temperatures of this fireplace and should stay away to avoid burns or ignition of clothing.
3. Children should be carefully supervised when they are in the same room as your fireplace.
4. Under no circumstances should this fireplace be modified. Parts having to be removed for servicing should be replaced prior to operating this fireplace again.
5. Installation and any repairs to this fireplace should be carried out by a qualified service person. A professional service person should be contacted to inspect this fireplace annually. Make it a practice to have all of your gas fireplaces checked annually. More frequent cleaning may be required due to excess lint and dust from carpeting, bedding material, etc.
6. Control compartments, burners and air passages in this fireplace should be kept clean and free of dust and lint. Make sure that the gas valve and pilot light are turned off before you attempt to clean this fireplace.
7. The venting system (chimney) of this fireplace should be checked at least once a year and if needed your venting system should be cleaned.
8. Keep the area around your fireplace clear of combustible materials, gasoline and other flammable vapour and liquids. This fireplace should not be used as a drying rack for clothing, nor should Christmas stockings or decorations be hung in the area of it.
9. Under no circumstances should any solid fuels (wood, coal, paper or cardboard etc.) be used in this fireplace.
10. The flow of combustion and ventilation air must not be obstructed in any way.
11. Whether the fireplace is installed directly on carpeting, vinyl tile or any combustible material other than wood, this fireplace must be installed on a metal or wood panel extending the full width and depth of the fireplace.
12. This fireplace requires adequate ventilation and combustion air to operate properly.

LOCATING YOUR INSTA-FLAME GAS FIREPLACE

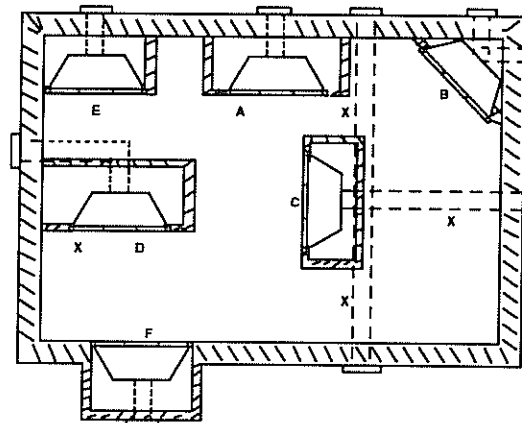


Fig. 1

- | | |
|-------------------------|-----------------------|
| A) Flat on wall | B) Cross corner |
| C) **Island | D) *Room divider |
| E) *Flat on wall corner | F) Chase installation |

Note (Fig. 1):

** Island (C) and Room Divider (D) installation is possible as long as the horizontal portion of the vent system (X) does not exceed 10 feet (3050mm). See details in Venting Section.

* When you install your Insta-Flame fireplace in (D) Room divider or (E) Flat on wall corner positions, a minimum of 6 inches (153mm) clearance must be maintained from the perpendicular wall and the front of the fireplace.

CLEARANCE TO COMBUSTIBLES

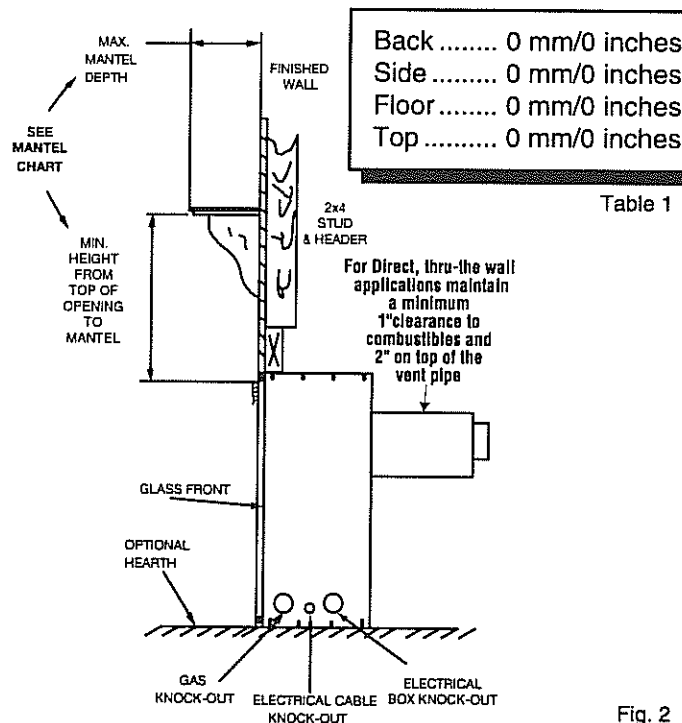
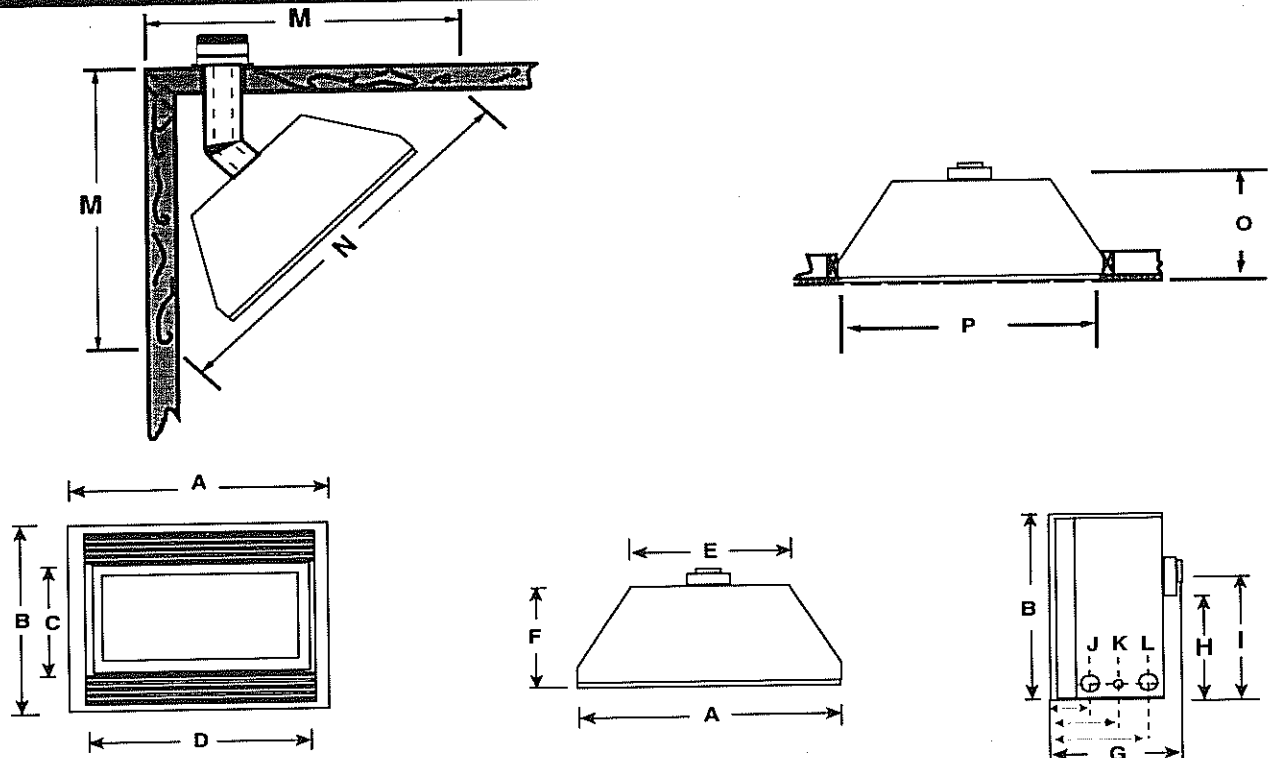


Fig. 2

Please be sure to refer to pages 7 and 8 for acceptable Vent Termination location.

FIREPLACE SPECIFICATIONS



MODEL DVR33

| | | |
|---|----------|--------|
| A | 33" | 838mm |
| B | 28 5/16" | 735mm |
| C | 16" | 408mm |
| D | 31" | 787mm |
| E | 22 1/16" | 560mm |
| F | 11 1/2" | 292mm |
| G | 14 1/2" | 368mm |
| H | 15 5/8" | 397mm |
| I | 19 1/2" | 495mm |
| J | | |
| K | | |
| L | | |
| M | 36" | 914mm |
| N | 51" | 1295mm |
| O | 12" | 305mm |
| P | 33 1/2" | 851mm |
| | | |

Table 2

MODEL DVR36

| | | |
|---|---------|--------|
| A | 36" | 914mm |
| B | 34 1/4" | 870mm |
| C | 20" | 508mm |
| D | 32 1/4" | 819mm |
| E | 20" | 508mm |
| F | 14" | 356mm |
| G | 17" | 432mm |
| H | 18 1/2" | 470mm |
| I | 22 1/4" | 565mm |
| J | 5" | 127mm |
| K | 7 1/2" | 190mm |
| L | 10 1/2" | 267mm |
| M | 40" | 1016mm |
| N | 56" | 1422mm |
| O | 14 1/2" | 368mm |
| P | 36 1/2" | 927mm |
| | | |

Table 3

MODEL DVR39

| | | |
|---|---------|--------|
| A | 39" | 991mm |
| B | 34 1/4" | 870mm |
| C | 20" | 508mm |
| D | 36" | 914mm |
| E | 24" | 610mm |
| F | 16" | 406mm |
| G | 19" | 483mm |
| H | 18 1/2" | 470mm |
| I | 22 1/4" | 565mm |
| J | 5 1/2" | 140mm |
| K | - | - |
| L | 9" | 229mm |
| M | 44" | 1118mm |
| N | 62 1/4" | 1581mm |
| O | 16 1/2" | 419mm |
| P | 39 1/2" | 1003mm |
| | | |

Table 4

MANTEL CHART

| Ref. | Mantel Width | Ref. | Height from Top Louvre |
|------|--------------|------|------------------------|
| V | 10" 254 mm | A | 12" 305 mm |
| W | 8" 203 mm | B | 10" 254 mm |
| X | 6" 152 mm | C | 8" 203 mm |
| Y | 4" 101 mm | D | 6" 152 mm |
| Z | 2" 51 mm | E | 4" 101 mm |

Table 5

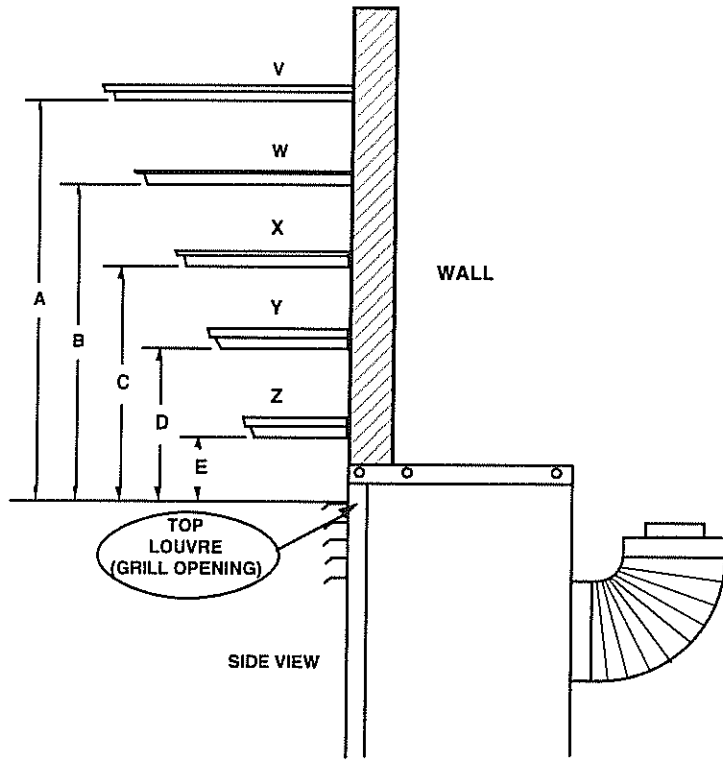


Fig. 4

FRAMING AND FINISHING

1. Choose fireplace location.
2. Place fireplace into position and secure to floor with 1-1/2" screws, or nails. The holes to secure the fireplace to the floor are located just behind the access door grill on the left and right hand side of the fireplace.
3. Frame in fireplace with a header across the top. It is important to allow for finished face when setting the depth of the frame.
4. Attach fireplace to frame using adjustable frame drywall strips (nailing flange). Preset depth to suit facing material (adjustable to 1/2" , 5/8" or 3/4" depths). Fig. 5.

5. Screw through slotted holes in drywall strip and then screw into pre-drilled holes on fireplace side. Measure from face of fireplace to face of drywall strip to determine final depth. (Fig. 6 & 7)

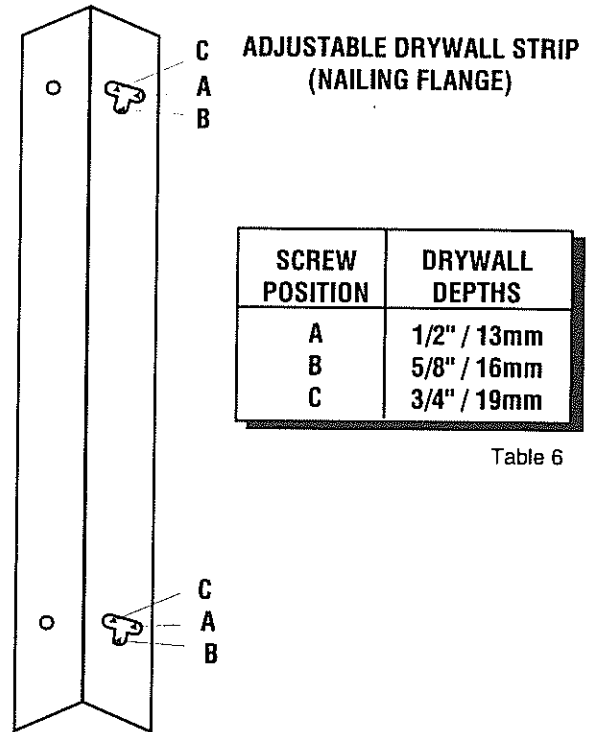


Fig. 5

| SCREW POSITION | DRYWALL DEPTHS |
|----------------|----------------|
| A | 1/2" / 13mm |
| B | 5/8" / 16mm |
| C | 3/4" / 19mm |

Table 6

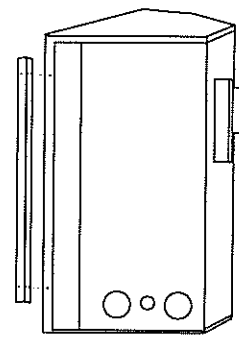


Fig. 6

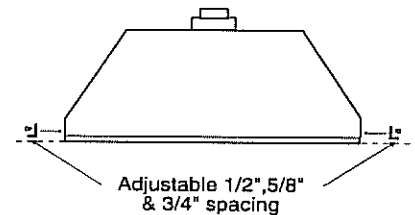


Fig. 7

FINAL FINISHING

Non-combustible materials such as brick and tile can be extended over the face of the fireplace. If a Trim Kit is going to be installed, brick and tile will have to be installed flush with the side of this fireplace.

Note:

Cold climate installation recommendation: When installing this fireplace against a non-insulated exterior wall or chase, it is mandatory that the outer walls be insulated to conform to applicable insulation codes.

GAS SPECIFICATIONS

| MODEL | FUEL | GAS CONTROL | MAX. INPUT B.T.U.H. | MIN. INPUT B.T.U.H. |
|----------|--------------|-----------------|---------------------|---------------------|
| DVR33RN | Natural Gas | Millivolt Hi/Lo | 20,000 | 14,000 |
| DVR33RP | Propane Gas | Millivolt Hi/Lo | 20,000 | 15,000 |
| DVR36RN | Natural Gas | Millivolt Hi/Lo | 25,000 | 17,500 |
| DVR36RP | Propane Gas | Millivolt Hi/Lo | 25,000 | 18,750 |
| DVR36RMH | Nat./Propane | Millivolt | 25,000 | 18,750 |
| DVR39RN | Natural Gas | Millivolt Hi/Lo | 30,000 | 21,000 |
| DVR39RP | Propane Gas | Millivolt Hi/Lo | 30,000 | 22,500 |

Table 7

GAS INLET & MANIFOLD PRESSURES

| | NATURAL | LP (Propane) |
|-------------------|---------|--------------|
| Input Minimum | 4.5" wc | 11" wc |
| Input Maximum | 7" wc | 13" wc |
| Manifold Pressure | 3.5" wc | 10" wc |

Table 8

Altitude: 0-1370 m (0-4500 feet)
 APPLIES TO CANADIAN MODELS ONLY

Do not use this fireplace if any part of it has been under water. Immediately call a qualified service technician to inspect the fireplace and replace any part of the control which has been under water.

GAS LINE INSTALLATION

WARNING: When purging gas line, the glass front must be removed.

The gas pipeline can be brought in through the right side, left side of the fireplace as well as the bottom. Knockouts are provided at convenient locations to allow for the gas pipe installation and testing of any gas connection. **It is most convenient to bring the gas line in from the right side, as this allows fan installation or removal without disconnecting the gas line.**

NOTE: The gas line connection can be made with properly tinned 3/8" copper tubing, 3/8" rigid pipe or an approved flex connector. Since some municipalities have some additional local codes, it is always best to consult your local authority and the CAN/CGA- B149 (.1 or .2) installation code.

FOR U.S.A Installations consult the current National Fuel Gas Code, ANSI Z223.1

IMPORTANT: Always check for gas leaks with a mild soap and water solution. **Do not use an open flame for leak testing.**

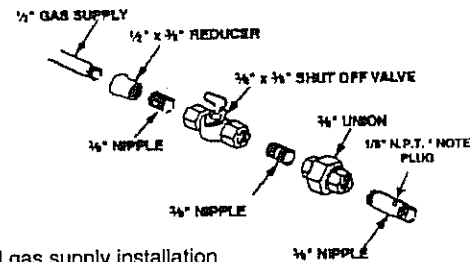


Fig.8 Typical gas supply installation

When using copper or flex connector use only approved fittings. **Always provide a union** so that gas line can be easily disconnected for burner or fan servicing. See gas specification for pressure details and ratings.

The fireplace valve must not be subjected to any test pressures exceeding 1/2 psi. Isolate or disconnect this or any other gas fireplace control from the gas line when pressure testing.

INSTALLATION OF REMOTE WALL SWITCH FOR AUTOMATIC GAS VALVE

1. Thread wire through the electrical knockout located on either side of fireplace.. Do not cut wire or insulation on metal edges. Ensure that wire is protected. Run the other end to a conveniently located wall receptacle box.
2. Attach wire to switch and install switch into receptacle box. Attach cover plate to switch.
3. Connect wiring to gas valve. (Fig. 9)

ALTERNATE SWITCH LOCATION:

Remote switch can be installed on either side of the access door. Simply mount the switch to the switch bracket provided. Screw the bracket on either side of the frame, lining up the screws with the pre-punched holes. (Fig. 10)

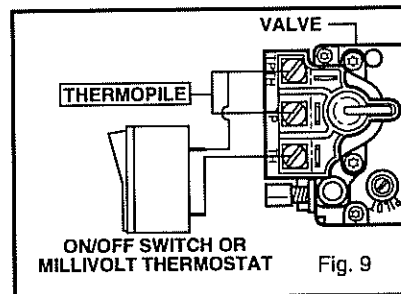


Fig. 9

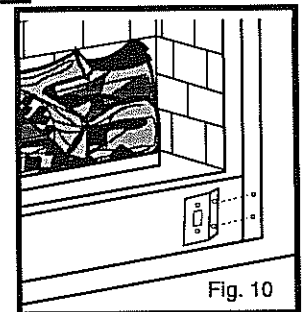


Fig. 10

CAUTION: DO NOT WIRE MILLIVOLT REMOTE WALL SWITCH FOR GAS FIREPLACE TO A 120V POWER SUPPLY.

FOR LIGHTING INSTRUCTIONS PLEASE TURN TO PAGE 17.

OPTIONAL FAN KIT - FK24

Fan Specifications: 120 Volt 60 HZ .75 Amp.

This fan does not need regular maintenance, however periodic cleaning is required. Check the area under the control door and in front of the fan and wipe or vacuum at least once a month during the operating season.

CAUTION:

Should this fan require servicing, the power supply must be disconnected.

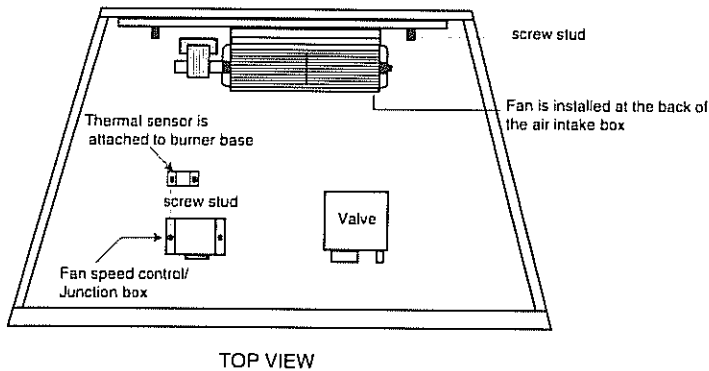


Fig. 11

INSTALLATION (Fig. 11):

1. Slide fan assembly from the left side into fireplace opening, line up mounting holes with screw studs on back of fireplace and fasten with #10-24 hex nuts.
2. Install thermal sensor on bottom of firebox using #10-24 hex nuts.
3. **(Option A)** - Place electronic fan speed control box on bottom of fireplace base, lining up mounting holes with screw studs. Fasten fan speed control box with #10-24 hex nuts.
(Option B) - The speed control can be installed in an electrical box at normal switch height for convenient access.
4. Remove electrical knockout on the side of the fireplace. (See hard wire or receptacle hook up instructions).

WIRING DIAGRAM

A: SPEED CONTROL
B: TEMPERATURE SENSOR
C: FAN

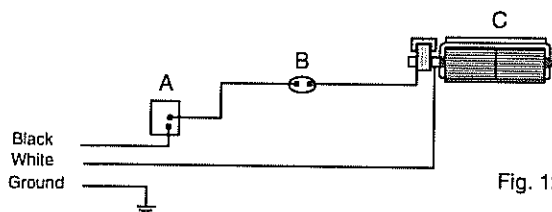


Fig. 12

WIRING INSTRUCTIONS

NOTE: Any electrical re-wiring of this fan must be done by a qualified electrician.

Whether wiring directly to the fan junction box or into the EB1 (electrical receptacle box, P/N ZA1200) first ensure cable is secured using box connector.

NOTE: Turn off all power before hook-up.

Hard (Direct) Wire Hook-Up:

First connect ground wire to ground stud located on the base of either box. Black wire from supply should connect to the variable speed switch. Alternate speed switch wire connects to temperature sensor. Alternate lead from sensor connects to fan. Alternate fan connects back to white supply wire. (Fig. 12).

NOTE: The FK-24 comes with the electrical cord attached.

EB1 (Receptacle) Hook-Up:

1. Remove 2" knock out. Slide the electrical box back plate into the back and bottom lances (clips) while fitting the box connector into the knock out. Fasten into place with fastening screws provided.
2. Connect the black positive wire to brass screw (polarized side) of the receptacle. The white wire is connected to the chrome screw. The ground wire is connected to the green ground screw of the receptacle. Fit the receptacle into the electrical box.
3. Screw the cover plate provided to the electrical box.

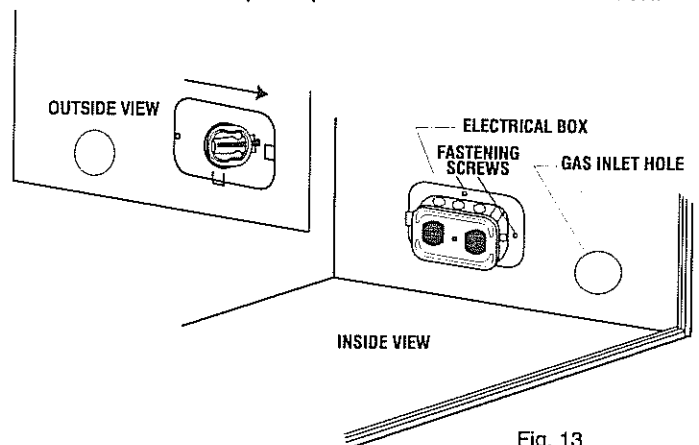


Fig. 13

NOTE:

THE FIREPLACE, WHEN INSTALLED MUST BE ELECTRICALLY CONNECTED AND GROUNDED IN ACCORDANCE WITH LOCAL CODES OR, IN THE ABSENCE OF LOCAL CODES, WITH THE CURRENT CSA C22.1 CANADIAN ELECTRICAL CODE.

FOR U.S.A. INSTALLATIONS, FOLLOW LOCAL CODES AND THE NATIONAL ELECTRICAL CODE, ANSI/NFPA NO. 70.

GENERAL VENTING INFORMATION

Your fireplace is approved to be vented either through the side wall, or vertical through the roof.

- Only venting components specifically approved and labelled for this fireplace may be used.
- Minimum clearances between vent pipes and combustible materials is one (1") inch (25 mm), **except where stated otherwise.**
- Venting terminals shall not be recessed into a wall or siding.
- Horizontal venting must be installed on a level plane without an inclining or declining slope.

There must not be any obstruction such as bushes, garden sheds, fences, decks or utility buildings within 24" from the front of the termination hood.

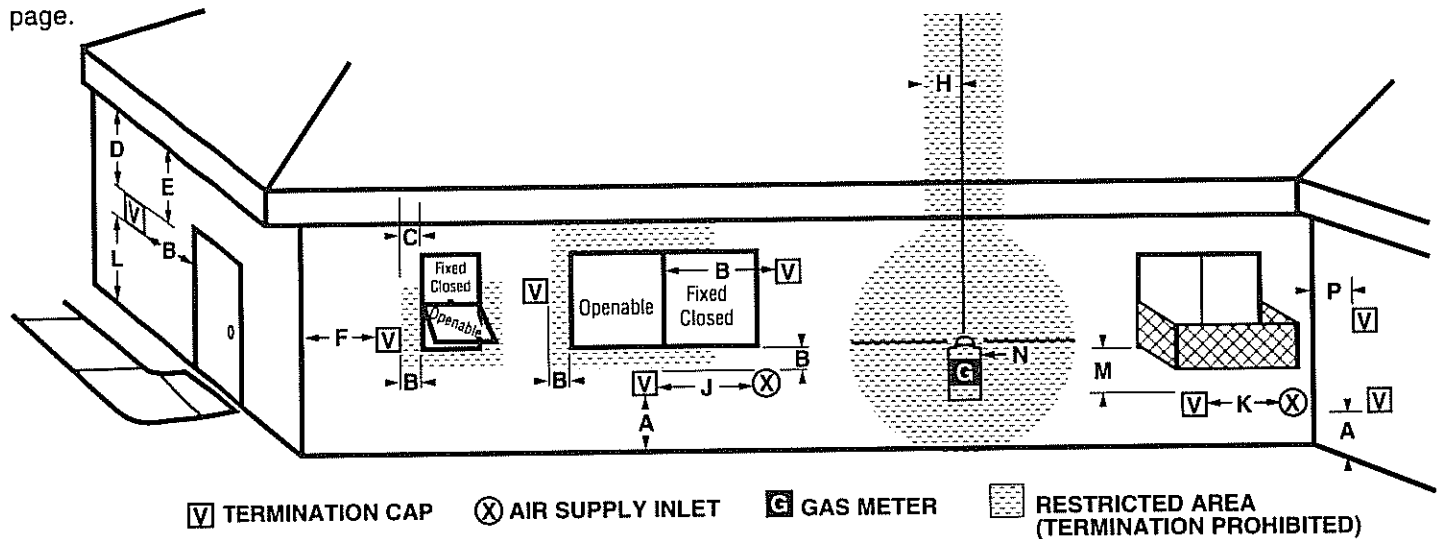
Do not locate termination hood where excessive snow or ice build up may occur. Be sure to check vent termination area after snow falls, and clear to prevent accidental blockage of venting system. When using snow blowers, make sure snow is not directed towards vent termination area.

*Check with local codes or in the absence of same, with CAN/CGA B149 (.1 or .2) installation codes regarding special vent termination clearances.

SIDE WALL VENTING

Location of Vent Termination

It is imperative that the vent termination be located observing the minimum clearances as shown on this page.



- A = clearance above grade, veranda, porch, deck, or balcony [* 12 inches (30 cm) minimum]
- B = clearance to window or door that may be opened [* 12 inches (30 cm) minimum on top and sides and 24 inch (60 cm) below.
- C = clearance to permanently closed window [minimum 12 inches (30 cm) recommended to prevent condensation on window]
- D = vertical clearance to ventilated soffit located above the terminal/ within a horizontal distance of 2 feet (60 cm) from the centre-line of the terminal [18 inches (46 cm) minimum]
- E = clearance to unventilated soffit [12 inches (30 cm) minimum]
- F = clearance to outside corner see next page
- G = clearance to inside corner see next page

- H = * not to be installed above a meter/regulator assembly within 3 feet (90 cm) horizontally from the centre-line of the regulator
- I = clearance to service regulator vent outlet [*6 feet (1.8 m) minimum]
- J = clearance to non-mechanical air supply inlet to building or the combustion air inlet to any other fireplace [*12 inches (30 cm) minimum]
- K = clearance to a mechanical air supply inlet [* 6 feet (1.8 m) minimum]
- L = † clearance above paved side-walk or a paved driveway located on public property [*7 feet (2.1 m) minimum]
- M = clearance under veranda, porch, deck, or balcony [*18 inches (46 cm) minimum ‡]

† a vent shall not terminate directly above a side-walk or paved driveway which is located between two single family dwellings and serves both dwellings *

‡ only permitted if veranda, porch, deck, or balcony, is fully open on a minimum 2 sides beneath the floor *

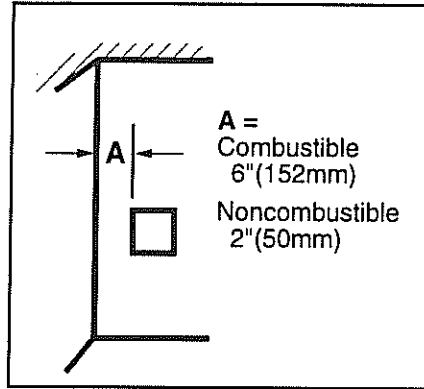
* as specified in CAN/CGA B149 (.1 or .2) Installation Codes (1991) Note: local Codes or Regulation may require different clearances

* For U.S.A. Installations follow the current National Fuel Gas Code, ANSI Z223.1.

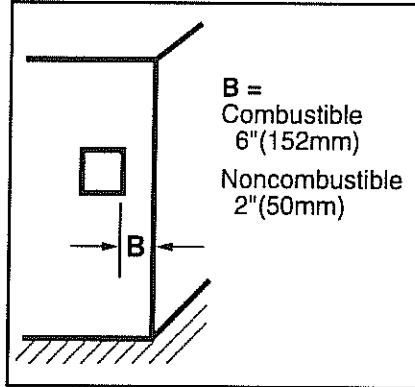
Termination Clearances

Termination clearances for buildings with combustible and noncombustible exteriors.

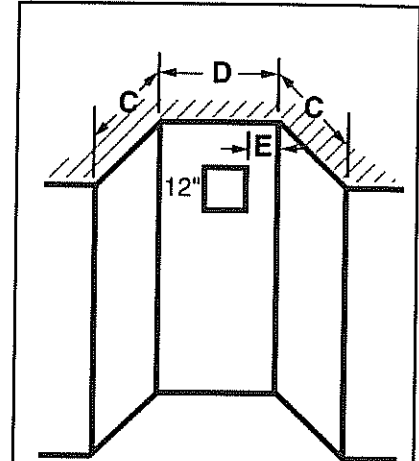
Inside Corner



Outside Corner



Recessed Location

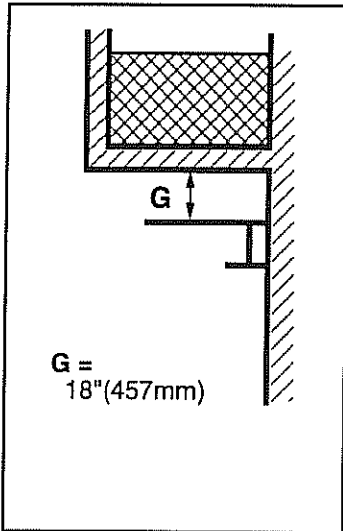


C = Maximum depth of 48" (1219mm) for recessed location.

D = Minimum width for back wall of a recessed location.
Combustible 38" (965mm)
Noncombustible 24" (610mm)

E = Clearance from corner in recessed location.
Combustible 6" (152mm)
Noncombustible 2" (50mm)

Balcony - with no side wall



Balcony - with perpendicular side wall

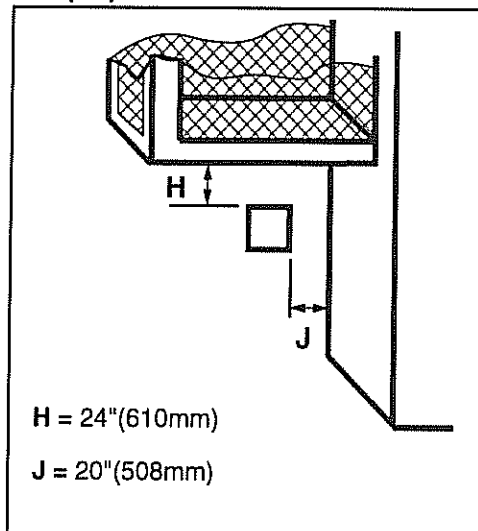


Fig. 14

REAR VENTING APPLICATIONS

IMPORTANT DIRECT THROUGH SIDEWALL

Minimum clearances between vent pipe and combustible materials are as follows:

Top - 2" (50 mm)

Sides - 1" (25 mm)

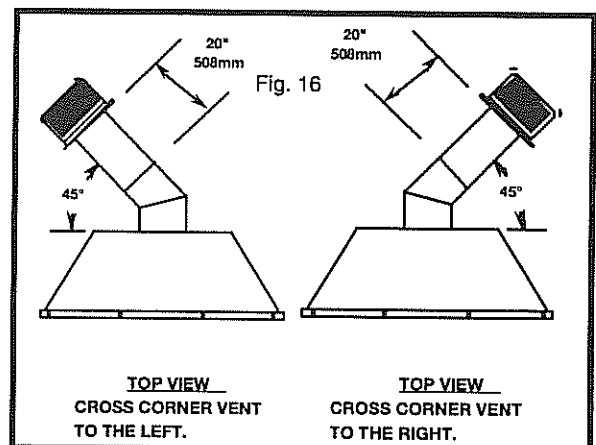
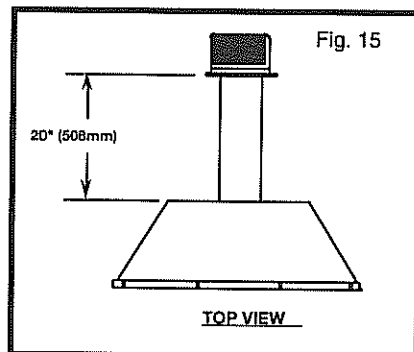
Bottom - 1" (25 mm)

Note: Vent Starter Kit Model 7DVRVT must be used in rear vent applications.

Maximum Vent Length 20" - Fig. 15 & 16

..... 20" - With 45 Elbow

Maximum Number of Elbows One 45° Elbow - Fig. 16

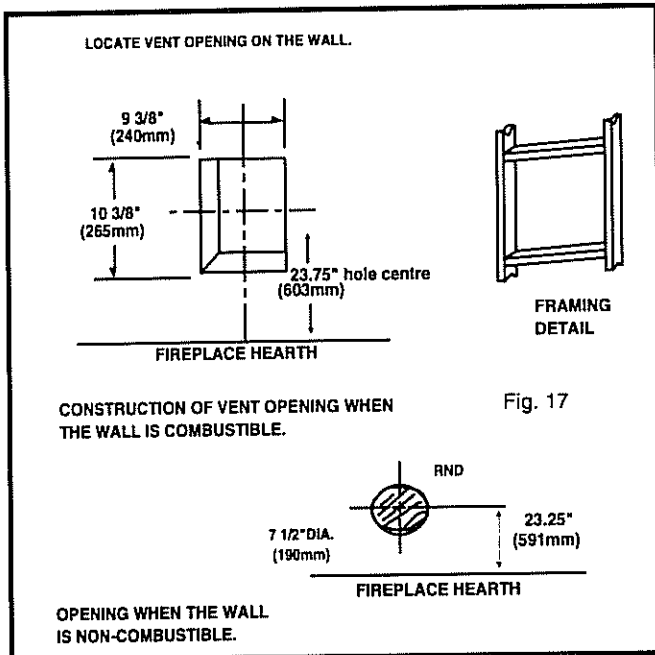


REAR WALL INSTALLATIONS

IMPORTANT Minimum clearance between vent pipes and combustible materials in one (1") inch (25 mm) on sides and bottom and two (2") inch (50 mm) on top.

STEP 1

Locate vent opening on wall.



Combustible Walls. Cut a 10-3/8"H x 9-3/8"W (265mm x 240mm) hole through the exterior wall and frame as shown. Fig. 17.

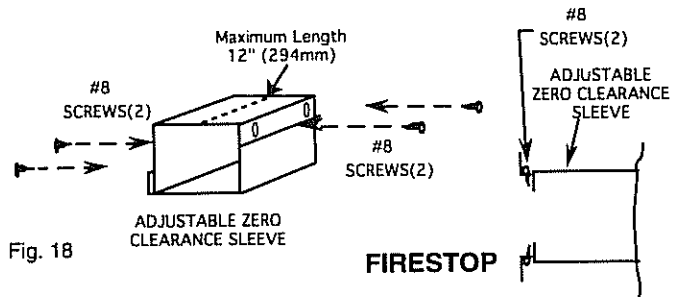
Non-Combustible Walls: Hole opening must be 7.5" (190mm) in diameter at 24.25" (615mm) centre from floor the fireplace sits on. Fig. 17

STEP 2

When installing in corner application first attach 45° elbows ensuring both elbows are on a parallel plane. Fix with three (3) screws in every joint. Fig. 19.

STEP 3

Measure wall thickness and cut adjustable zero clearance sleeve parts to proper length (MAXIMUM 12"). Adjust sleeve to maximum and attach to firestop with #8 sheet metal screws (supplied). (Fig. 18) Install firestop assembly.

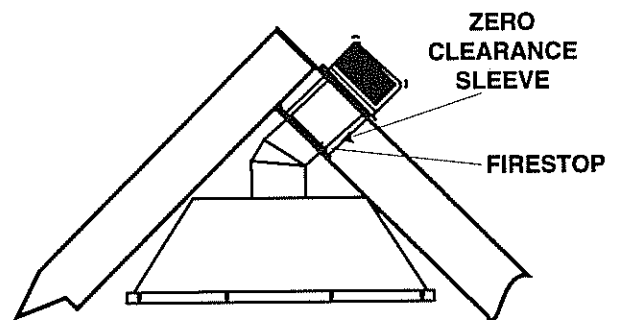


STEP 4

Measure the total wall thickness. Mark pipes and cut to length. It is very important that the two pipes are flush with the outside wall once the fireplace is in its final location. Fig. 20.

STEP 5

Slip 4" and 7" pipes onto respective flue collars. Make sure to fix to the fireplace collar the 4" pipe with three (3) screws before fixing the 7" pipe on the 7" collar. Both pipes must be on a level plane. Fig. 20.



TYPICAL VIEW OF CORNER INSTALLATION

Fig. 19

STEP 6

Guide the vent termination 4" collar into the 4" pipe then the 7" collar into the 7" pipe. Do not force the venting into position. If the pipes do not line up with the termination collars, disassemble elbows or pipes and reattach to the fireplace collar. (Fig. 20)

STEP 7

Secure fireplace to floor through floor holes and drywall strip to frame.

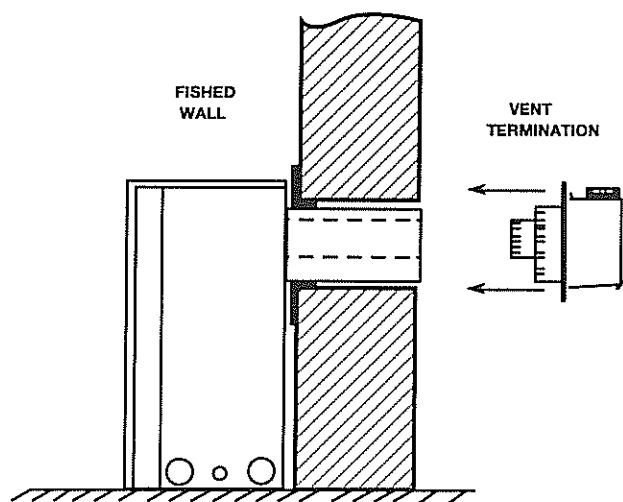


Fig. 20

SIDE VIEW OF FINAL UNIT LOCATION

VERTICAL SIDEWALL INSTALLATIONS

IMPORTANT Minimum clearance between vent pipes and combustible materials is one (1") inch (25 mm) on top, bottom and sides unless otherwise noted.

IMPORTANT When vent termination exits through foundation less than 20" below siding outcrop, the vent pipe must flush up with the siding. A 7DVSS must also be used.

INFORMATION ON VARIOUS VENTING ROUTES AND COMPONENTS

IMPORTANT: It is always best to locate the fireplace in such a way that minimizes the number of offsets and horizontal vent length.

Since it is very important that the venting system maintain its balance between the combustion air intake and the flue gas exhaust, certain limitations as to vent configurations apply and must be strictly adhered to.

The graph showing the relationship between vertical and horizontal side wall venting will help to determine the various vent lengths allowable.

The horizontal vent run refers to the total length of vent pipe from the flue collar of the fireplace to the face of the outer wall.

The maximum horizontal vent run is 10 feet (305 cm) when the vertical vent rise is 8 feet 244 cm). Fig .23.

VERTICAL SIDEWALL APPLICATIONS

The maximum number of 90 degree elbows per side wall installation is two (2).

The maximum number of 45 degree elbows permitted per side wall installation is two (2). These elbows can be installed in either the vertical or horizontal run.

SPECIAL NOTE: For each 45 degree elbow installed in the horizontal run, the length of the horizontal run **MUST** be reduced by 18" (45cm). This does not apply if the 45 degree elbows are installed on the vertical part of the vent system.

Example: According to the vent chart the maximum horizontal vent length is 10' when the vertical height is 8' from fireplace base height. If two 45 degree elbows are required in the horizontal vent it must be reduced to 7'.

For some installations, it may be desirable to have some amount of the horizontal vent run immediately after the fireplace. A vertical rise must be used somewhere in the vent system, to meet the perimeters identified in the venting graph. e.g.: The total horizontal length from the back of the fireplace to the outside wall may be 10' as long as the vertical height centre of the vent pipe is 8'. (Fig. 22)

VERTICAL SIDEWALL con't...

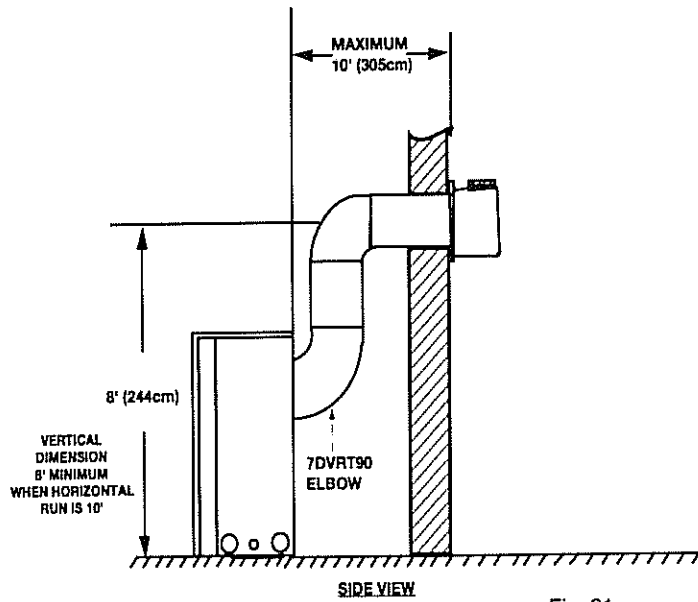


Fig. 21

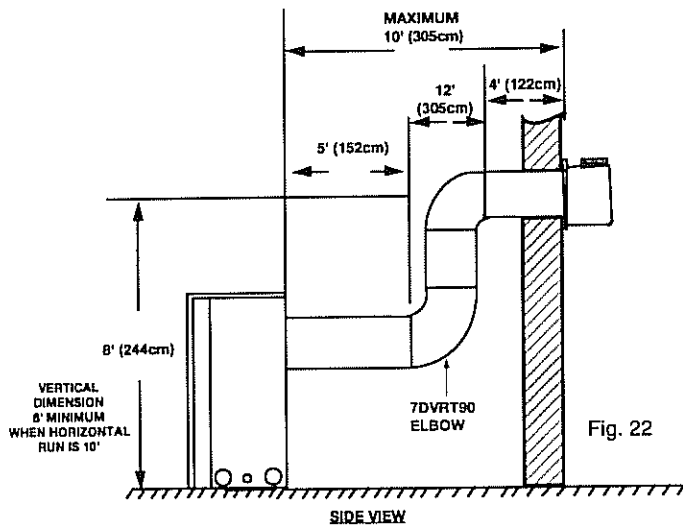


Fig. 22

TO USE THE VENT GRAPH

1. Determine the height of the centre of the horizontal vent pipe. Using this dimension on the Sidewall Vent Graph (Fig. 23), locate the point it intersects with the slanted graph line.
2. From the point of this intersection, draw a vertical line to the bottom of the graph.
3. Select the indicated dimension, and position the fireplace in accordance with same. (Fig. 21 & Fig. 22)

EXAMPLE A:

If the vertical dimension from the floor of the fireplace is 21 feet, the horizontal run to the outer wall flange of the vent termination must not exceed 6.5 feet.

EXAMPLE B:

If the vertical dimension from the floor of the fireplace is 7 feet, the horizontal run to the outer wall flange must not exceed 8.5 feet.

SIDEWALL VENTING GRAPH (Dimensions in Feet)

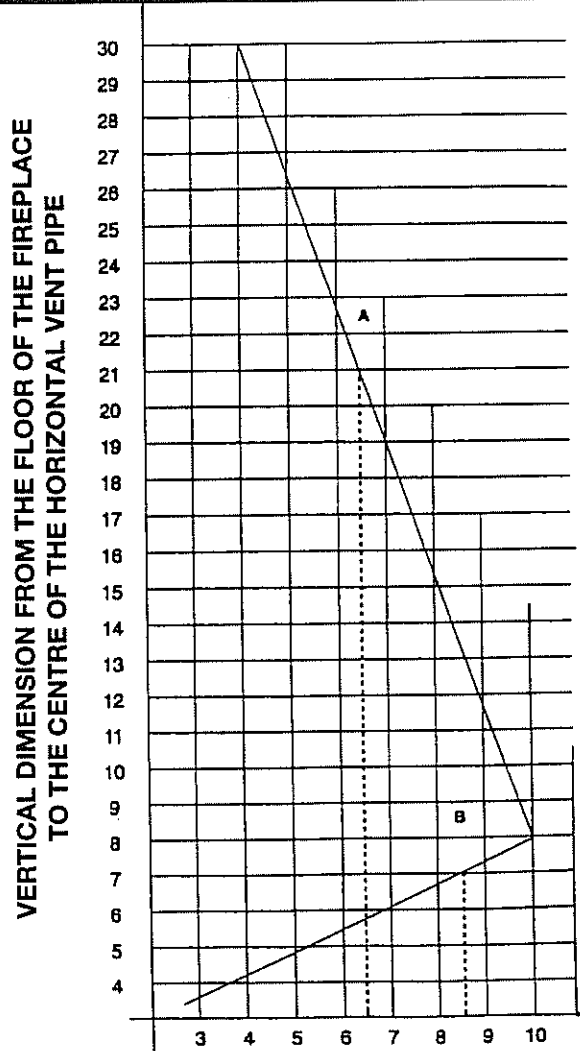


Fig. 23

SEE PAGE 12 FOR VENTING
REQUIREMENTS FOR SNORKELS.

GENERAL INFORMATION ON ASSEMBLING THE VENT PIPES

Before joining elbows and pipes apply a bead of hi-temp silicone sealant (GE IS 806) to crimped end of elbow or pipe. (Fig. 24)

BEAD LOCATION
1" FROM CRIMPED END OF PIPE

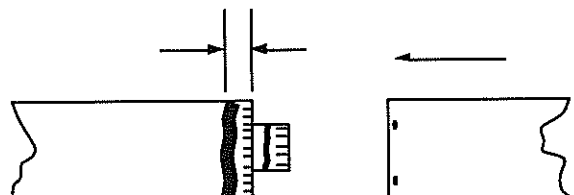


Fig. 24

Join pipes and secure joints with three (3) sheetmetal screws. Wipe off excess silicone.

VERTICAL SIDEWALL INSTALLATIONS

The final location of the DVR fireplace must be such that the horizontal vent dimensions fall within those stated on the venting graph. Fig. 23.

IMPORTANT Minimum clearance between vent pipes and combustible materials is one (1") inch (25 mm) on bottom, sides and top.

Note: *Vent Starter Kit 7DVSK, plus Transition Elbow 7DVRT90 must be used in Vertical Sidewall installations. The 4" pipe must be centred inside the 7" pipe coming off the 7DVRT90 transition elbow.*

CANADIAN INSTALLATIONS:

The venting system must be installed in accordance with the current CAN/CGA-B149 (.1 or .2) installation code.

U.S.A. INSTALLATIONS:

The venting system must conform with local codes and/or the current National Fuel Gas Code, ANSI Z223.1.

Only approved venting components manufactured by The CFM Majestic Products Company can be used.

COMBUSTIBLE WALLS (Fig. 25): Cut a 9-3/8" H x 9-3/8" W (240 mm x 240 mm) hole through the exterior wall and frame as shown (Fig. 26).

NON-COMBUSTIBLE WALLS (Fig. 27): Hole opening must be 7.5" (190 mm) in diameter.

STEP 1

Locate vent opening on the wall. It may be necessary to first position the fireplace and measure to obtain hole location.

Vent Opening — Combustible Wall

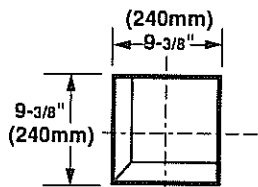


Fig. 25

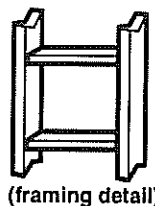


Fig. 26
(framing detail)

Vent Opening — Noncombustible Wall

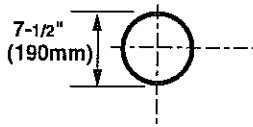


Fig. 27

STEP 2

(Fig. 28) Apply a bead of high temperature sealant to the inner and outer flue collars of the fireplace and using appropriate venting component(s) attach to fireplace with three (3) screws. Follow with the installation of the inner and outer elbow. Again secure joints with three (3) sheet metal screws. Wipe off any excess high temperature sealant.

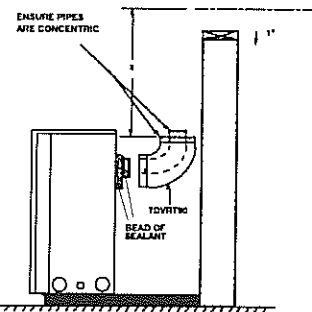


Fig. 28

STEP 3

(Fig. 29) Measure the horizontal length required, i.e. from the back of the elbow to the outside finished wall.

NOTE: *Always install horizontal venting on a level plane.*

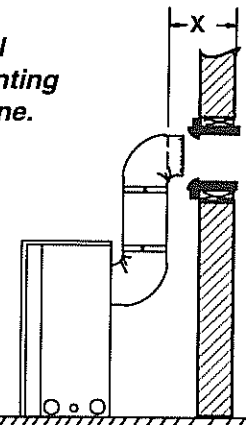


Fig. 29

STEP 4

Measure wall thickness and cut adjustable zero clearance sleeve parts to proper length (MAXIMUM 12"). Adjust sleeve to maximum and attach to firestop with #8 sheet metal screws (supplied). (Fig. 18) Install firestop assembly.

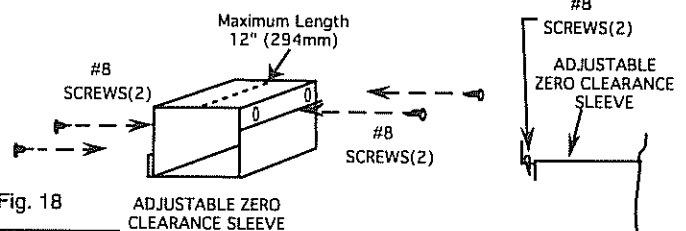


Fig. 18

STEP 5

(Fig. 30) Use the appropriate length of pipe section – telescopic or fixed – and install. The 20" section of pipe which goes through the wall is packaged with the 7DVSK kit, and can be cut to suit if necessary.

NOTE: *Sealing vent pipe and firestop gaps with high temperature sealant will restrict cold air being drawn in around fireplace.*

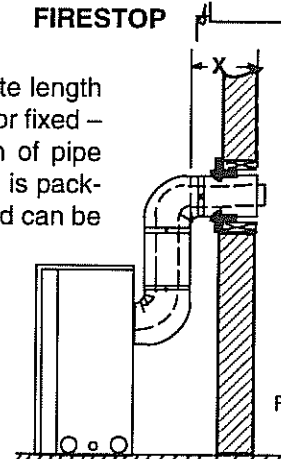
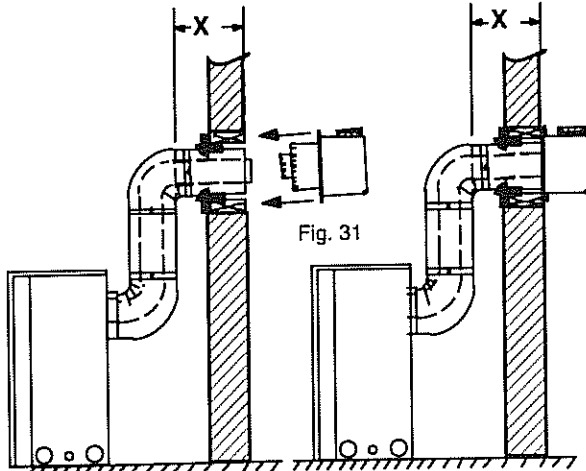


Fig. 30

STEP 6

(Fig. 31) Apply high temperature sealant to 4' and 7' termination collars. Mount vent termination, proper side up – note the label on the deflector plate. Double check to make sure the pipe extends properly over the vent termination collars. Seal the termination using caulking around the wall plate to weatherproof.



STEP 7

Support the horizontal pipes every three (3) feet (91 cm) with metal pipe straps.

STEP 8

Recheck the fireplace to make sure that it is levelled, properly positioned, and nailed or screwed to the floor.

If applied, the fireplaces adjustable frame drywall strips (nailing flanges) should be fastened.

BELOW GRADE INSTALLATIONS

When it is not possible to meet the required vent terminal clearances of 12 inches (305mm) above grade level a model #7DVSKS vent kit is recommended. It allows installation depth of down to 7 inches (178mm) below grade level. The 7 inches is measured from the centre of the horizontal vent pipe as it penetrates through the wall.

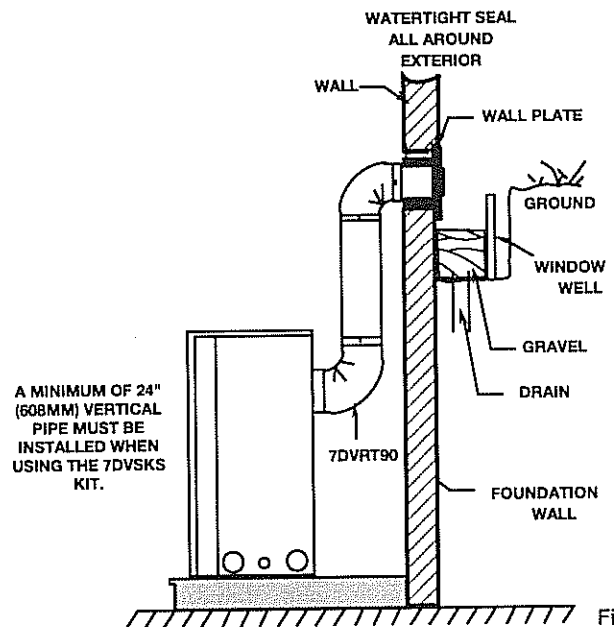
NOTE: If venting system is installed below ground, we recommend a window well with adequate and proper drainage.

INSTALLATION

Ensure sidewall venting clearances are observed.

NOTE: The maximum horizontal run with 24" vertical rise is 36" (915mm) from the back of the fireplace to the face of the exterior wall. See vent graph (Fig. 23) for extended horizontal run if the vertical exceeds 24".

1. Establish vent hole through the wall. See page 14, Fig. 27.
2. Remove soil to a depth of approximately 16" below base of snorkel. Install window well (not supplied). Refill hole with 12" of coarse gravel leaving a clearance of approximately 4" below snorkel. (See diagram).
3. Install vent system. See page 14, Steps 2 through 5.
4. Ensure a watertight seal is made around the vent pipe coming through the wall.
5. Apply high temperature sealant caulking (supplied) around the 4 and 7 inch 7DVSKS's snorkel collars.
6. Slide into vent pipe and secure to the wall.
7. Level the soil so as to maintain a 4" clearance below snorkel (Fig. 32).



NOTE: DO NOT BACK FILL AROUND SNORKEL. SOIL SHOULD NOT BE LESS THAN 4" BELOW SNORKEL.

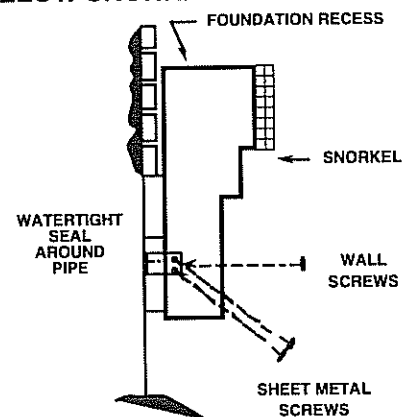


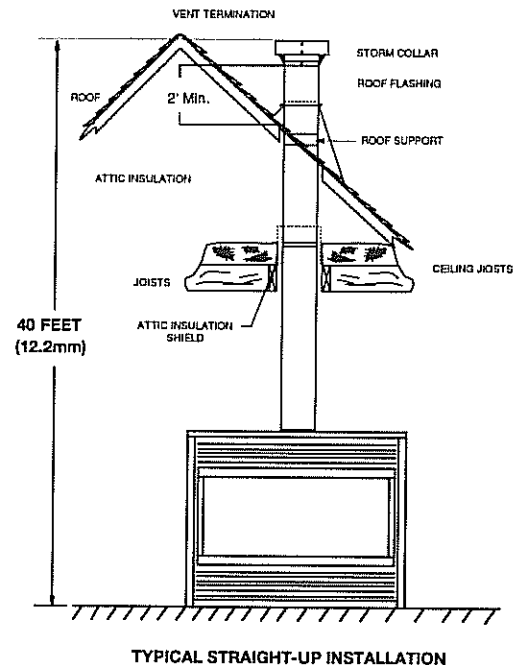
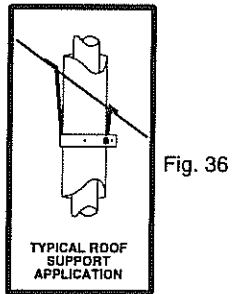
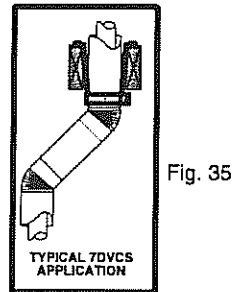
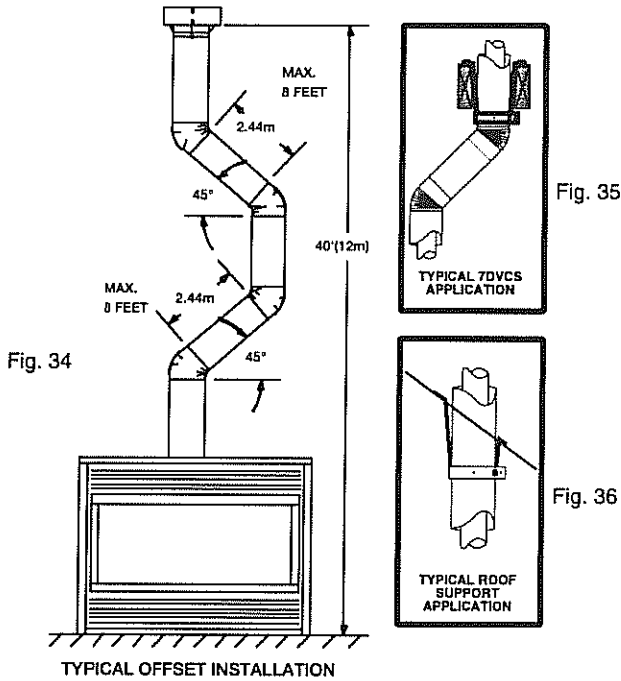
Fig. 33

If the foundation is recessed, use recess brackets (not supplied) for securing lower portion of the snorkel. Fasten brackets to wall first and then secure to snorkel with self drilling #8 x 1/2 sheet metal screws. It will be necessary to extend vent pipes out as far protruding wall face (Fig. 33).

VERTICAL THROUGH THE ROOF APPLICATIONS

This gas fireplace has been approved for,

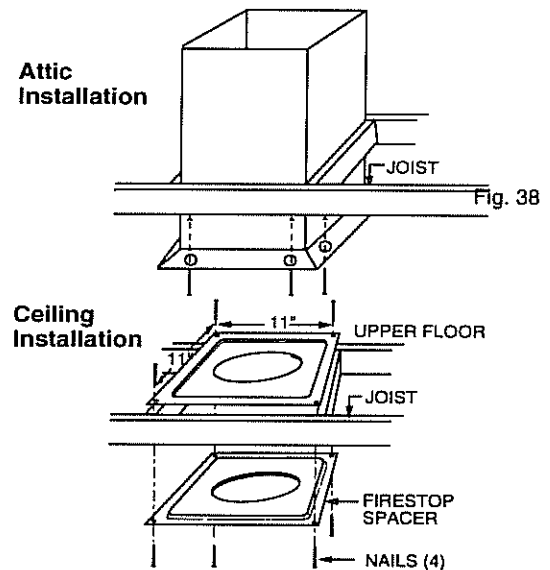
- Vertical installations up to 40 feet (12 metres) in height, and
 - Two sets of 45 degree elbow offsets within these vertical installations. From 0 to a maximum of 8 ft. a vent pipe can be used between elbows. (Fig. 34)
 - 7DVCS must be used to support offsets. (Fig. 35)
- This application will require that you first determine the roof pitch and use the appropriate 7DVSKV (A,B or F). (see Venting Components, page 23, Table 11)



The minimum height of the vent above the highest point of penetration through the roof is 2 feet. See Fig. 37.

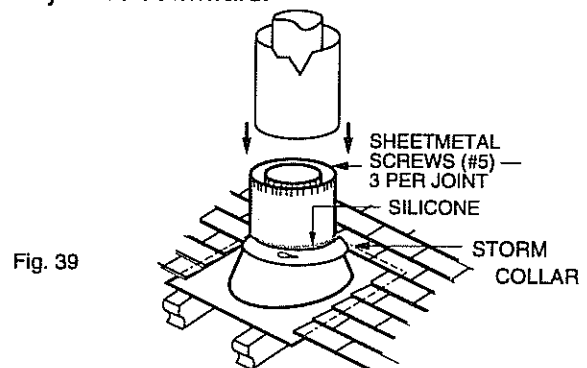
TO INSTALL VERTICAL VENTING

1. Locate your fireplace.
2. Plumb to centre of the (4") 90° transition elbow (DVRT90B) from ceiling above and mark position.
3. Cut opening equal to 9-3/8" x 9-3/8" (240 mm x 240 mm).
4. Proceed to plumb for additional openings through the roof. In all cases, the opening must provide a minimum of 1 inch clearance to the vent pipe, i.e., the hole must be at least 9-3/8" x 9-3/8" (240 mm x 240 mm).
5. Place fireplace into position and secure to floor.
6. Place firestop(s) #7DVFS into position and secure. (Fig. 36)
7. Install roof support (Fig. 36) and roof flashing making sure upper flange of flashing is below the shingles. Fig. 39.
8. Install appropriate pipe sections until above the flashing. (See Fig. 39 for #'s 7, 8 and 9).
9. Install storm collar and seal around the pipe.
10. Add additional vent lengths for proper height. Fig. 39.
11. Apply high temperature sealant to 4" and 7" collars of vent termination and install.



NOTE: Fig. 38 If there is a room above ceiling level, firestop spacer must be installed on on both the bottom and the top side of the ceiling joists. If an attic is above ceiling level a 7DVAIS (Attic Insulation Shield) must be installed.

**** NOTE:** Fig. 39 The enlarged ends of the vent section always face downward.



OPERATING INSTRUCTIONS

IMPORTANT: PLEASE REVIEW THE FOLLOWING CAREFULLY

It is normal for fireplaces fabricated of steel to give off some expansion and/or contraction noises during the start up or cool down cycle. Similar noises are found with your furnace heat exchanger or car engine.

It is not unusual for your *Insta-Flame* gas fireplace to give off some odour the first time it is burned. This is due to the curing of the paint and any undetected oil from the manufacturing process.

Please ensure that your room is well ventilated - open all windows.

It is recommended that you burn your *Insta-Flame* fireplace for a least six (6) hours the first time you use it. If optional fan kit has been installed, place fan in the "OFF" position during this time.

GENERAL GLASS INFORMATION

Only glass approved for use in Majestic products may be used for replacement.

WARNING:

1. The use of substitute glass will void all product warranties.
2. Care must be taken to avoid breakage of the glass.
3. Under no circumstances should this fireplace be operated without the glass front or with a broken glass front. Replacement of the glass (with gasket) as supplied by the manufacturer should be done by a licenced qualified service person.

LOUVRE REMOVAL

(Fig. 41) To remove louvre pull louvre up and then lift out.



Fig. 41

GLASS REMOVAL

1. Shut off gas.
2. Let the fireplace cool if it has been operating.
3. Remove top louvre. (See Louvre Removal)
4. Open the lower louvre assembly.
5. Release the two clamps at the bottom of the window frame by pulling down on the clamp handles.
6. Lift off the glass frame as shown.
7. To reinstall glass follow the above procedure in reverse. (Fig. 41)

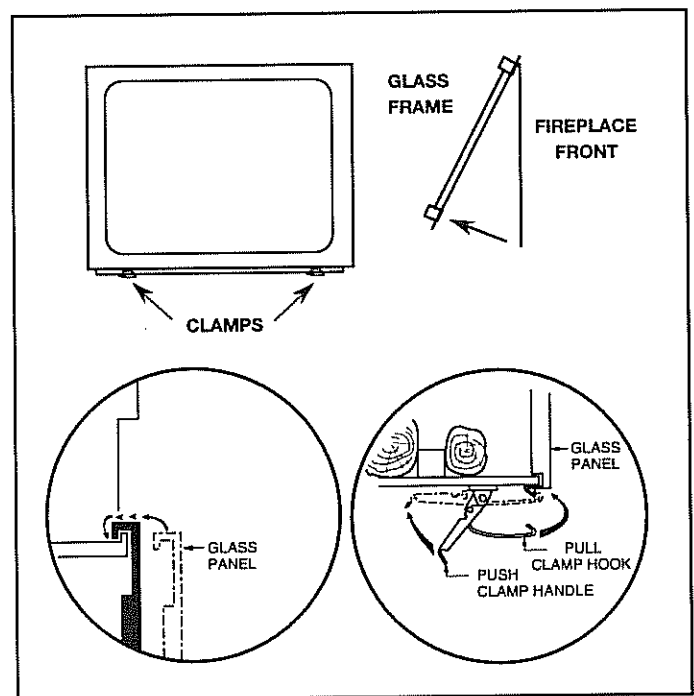


Fig. 41

GLASS CLEANING

It will be necessary to clean the glass periodically. During start-up condensation, which is normal, forms on the inside of the glass and causes lint, dust and other airborne particles cling to the glass surface. Also initial paint curing may deposit a slight film on the glass. It is therefore recommended that the glass be cleaned two or three times with a non-ammonia household cleaner and warm water (we recommend gas fireplace glass cleaner). After that the glass should be cleaned two or three times during each heating season depending on the circumstances present.

INSTALLATION OF LOGS

1. Remove glass front. (See "Glass Removal")
2. Remove logs from the packaging (as with all plastic these bags are not toys and should always be kept away from children and infants).
3. Place rear log on bracket (ensure log is seated so it will not move from side to side, and is firmly positioned to the back of the fireplace).
4. Place front log on back of front burner and slide forward until notches lock into place.
5. Slip front ember log down between the front burner and the front deflector. Interlock the two (2) pieces to close the gap.
6. Place top logs onto locator notches. Ensure logs are secure (Fig. 42).

NOTE: Top logs must be placed properly onto notches

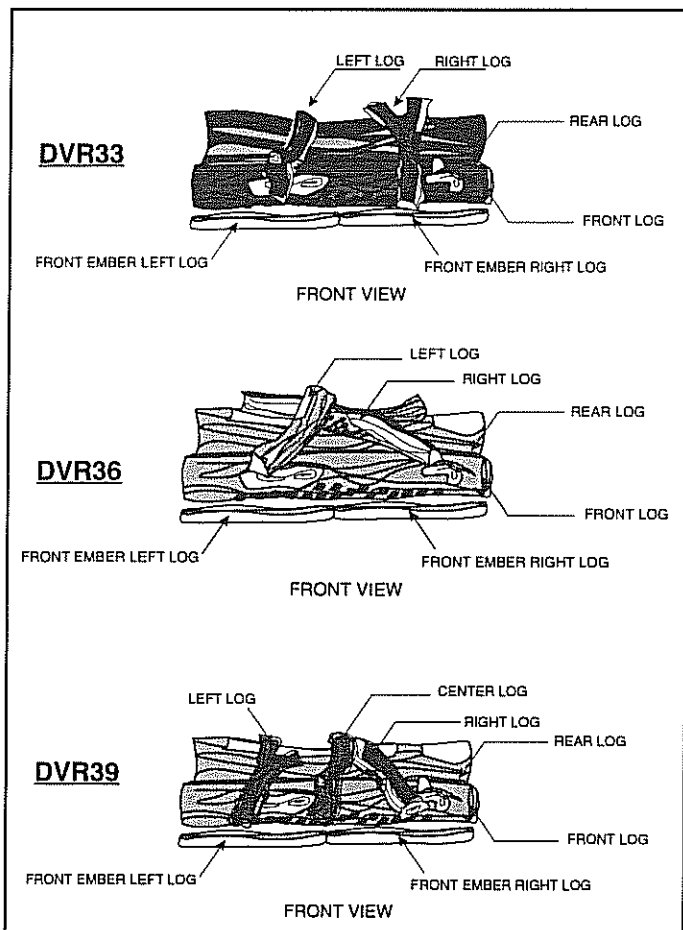


Fig. 42

MAINTENANCE

It is important to keep the burner and the burner compartment clean. This must be done periodically, at least once per season.

Contact your local representative to arrange an annual service program.

CLEANING PROCEDURE

1. Turn off pilot light at gas valve.
2. Remove glass front. (see Glass Removal)
3. Remove logs,
4. Vacuum burner compartment especially around orifice/primary air openings.
5. Reinstall logs.
6. Ignite pilot - see Operating Section of Manual.
7. Reinstall glass front.
8. Operate the burner and visually check to make sure the flame pattern appears similar to the pictorial illustration shown below. If it appears abnormal call a service person.

FLAME ADJUSTMENT

For fireplaces equipped with Hi/Lo valves, flame adjustment is accomplished by rotating the Hi/Lo adjustment knob located near the centre of the gas control. Fig. 43.

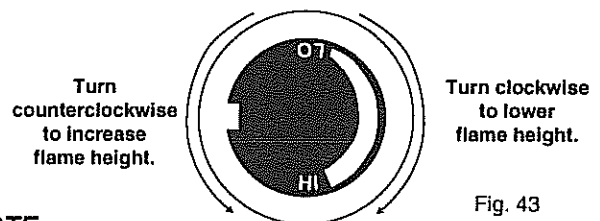


Fig. 43

NOTE:

It is important to periodically perform a visual check of the pilot and the burner flames. Compare them to the pictorials illustrated below (Fig. 44).

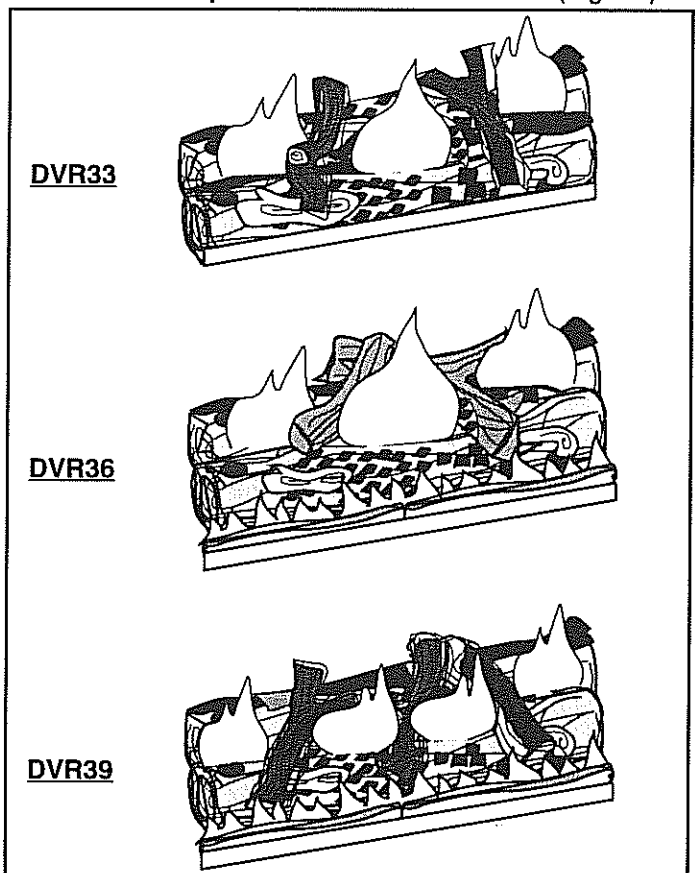


Fig. 44

LIGHTING AND OPERATING INSTRUCTIONS

FOR FIREPLACES EQUIPPED WITH SIT 820 MILLIVOLT GAS VALVE

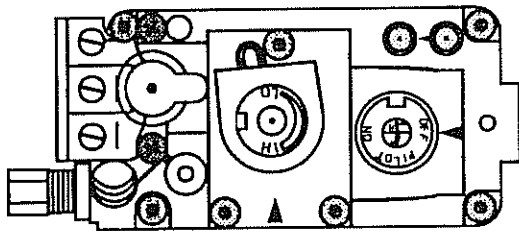
FOR YOUR SAFETY READ BEFORE LIGHTING

WARNING: If you do not follow these instructions exactly, a fire or explosion may result causing property damage, personal injury or loss of life.

- A. This fireplace has a pilot which must be lit manually. When lighting the pilot follow these instructions exactly.
 - B. BEFORE LIGHTING smell all around the fireplace area for gas. Be sure to smell next to the floor because some gas is heavier than air and will settle on the floor.
- WHAT TO DO IF YOU SMELL GAS**
- Do not try to light any fireplace.
 - Do not touch any electric switch
 - Do not use any phone in your building
 - Immediately call your gas supplier from a neighbor's phone. Follow the gas supplier's instructions.
 - If you cannot reach your gas supplier, call the Fire Department
- C. Use only your hand to push in or turn the gas control knob. Never use tools. If the knob will not push in or turn by hand, do not try to repair it, call a qualified service technician. Force or attempted repair may result in a fire or explosion.
 - D. Do not use this fireplace if any part has been under water. Immediately call a qualified service technician to inspect the fireplace and to replace any part of the control system and any gas control which has been under water.

LIGHTING INSTRUCTIONS

1. STOP! Read the safety information above on this label
2. Turn the On/Off switch to Off position or set the thermostat to lowest setting.
3. Turn off all electric power to the fireplace.
4. Open control access panel.
5. Push in gas control knob slightly and turn clockwise to "OFF".

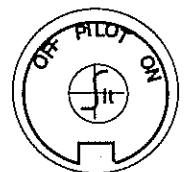


6. Wait fifteen (15) minutes to clear out any gas. Then smell for gas, including near the floor. If you smell gas, STOP! Follow "B" in the safety information above on this label. If you don't smell gas, go to the next step.

7. The pilot is located by the main burner.
8. Turn knob on gas control counterclockwise to "PILOT".
9. Push in control knob all the way and hold in. Immediately light the pilot by repeatedly depressing the piezo spark ignitor until a flame appears. Continue to hold the control knob in for about one (1) minute after the pilot is lit. Release knob and it will pop back up. Pilot should remain lit. If it goes out, repeat steps 5 through 8.
 - If knob does not pop up when released, stop and immediately call your service technician or gas supplier.
 - If the pilot will not stay lit after several tries, turn the gas control knob to "OFF" and call your service technician or gas supplier.
10. Turn gas control counterclockwise to "ON", then close access door.
11. Turn on all electric power to the fireplace.
12. Turn the On/Off switch to On position or set thermostat to desired setting.
13. This valve is equipped with a Hi/Lo feature. Set fireplace input as desired.

TO TURN OFF GAS TO FIREPLACE

1. Turn the On/Off switch to Off position or set the thermostat to lowest setting.
2. Turn off all electric power to the fireplace if service is to be performed.
3. Open control access panel.
4. Push in gas control knob slightly and turn clockwise to "OFF". Do not force.
5. Close control access panel.



TROUBLE SHOOTING THE GAS CONTROL SYSTEM

SIT NOVA 820 MILLIVOLT VALVE

Note: Before trouble shooting the gas control system, be sure external gas shut off is in the "On" position.

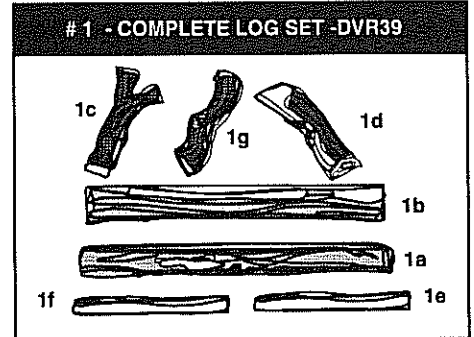
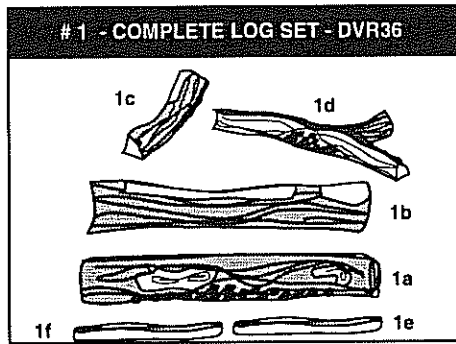
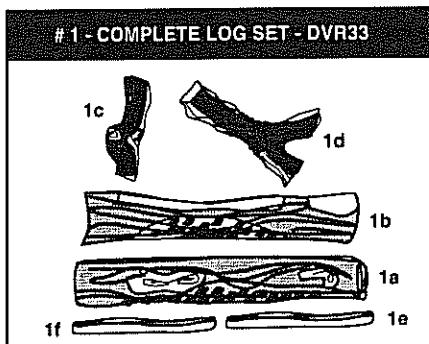
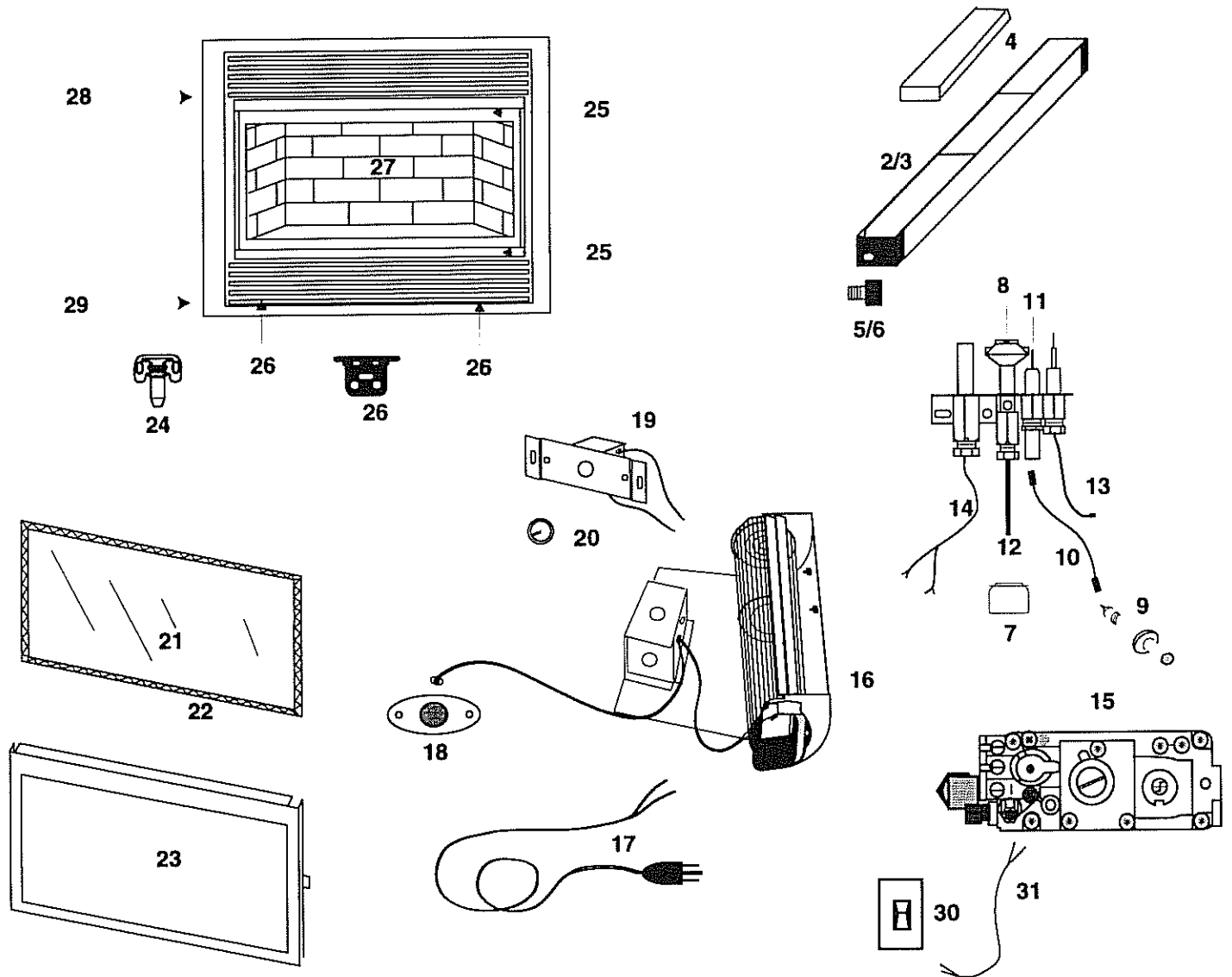
WARNING: BEFORE DOING ANY GAS CONTROL SERVICE WORK, REMOVE GLASS FRONT.

| SYMPTOM | POSSIBLE CAUSES | CORRECTIVE ACTION |
|---|---|---|
| 1. Spark ignitor will not light | A. Defective or misaligned electrode at pilot. | Using a match, light pilot. If pilot lights, turn off pilot and push the red button again. If pilot will not light - check gap at electrode and pilot-should be 1/8" to have a strong spark. |
| | B. Defective ignitor (Push Button) | Push Piezo Ignitor Button. Check for spark at electrode and pilot. If no spark to pilot, and electrode wire is properly connected, replace ignitor. |
| 2. Pilot will not stay lit after carefully following lighting instructions. | A. Defective pilot generator (thermocouple) | 1. Check pilot flame. Must impinge on thermocouple/thermopile. Note: this pilot burner assembly utilizes both a thermocouple and a thermopile. The thermocouple operates the pilot flame. Tighten thermocouple. The thermopile operates the main valve operation (On and Off). Clean and/or adjust pilot for maximum flame impingement on thermopile and thermocouple. |
| | B. Defective automatic valve operator. | Turn valve knob to "Pilot". Maintain flow to pilot; millivolt meter should read greater than 10 mV. If the reading is okay and the pilot does not stay on, replace the gas valve. Note: An interrupter block (not supplied) must be used to conduct this test. |
| 3. Pilot burning, no gas to burner, Valve knob "ON", Wall Switch "ON". | A. Wall switch or wires defective. | Check wall switch and wires for proper connections. Jumper wire across terminals at wall switch, if burner comes on, replace defective wall switch. If okay, jumper wires across wall switch wires at valve, if burner comes on, wires are faulty or connections are bad. |
| | B. Thermopile may not be generating sufficient millivoltage. | <ol style="list-style-type: none"> 1. Be sure wire connections from thermopile at gas valve terminals are tight and thermopile is fully inserted into pilot bracket. 2. One of the wall switch wires may be grounded. Remove wall switch wires from valve terminals if burner now stays lit, trace wall switch wiring for ground. May be grounded to fireplace or gas supply. 3. Check thermopile with millivolt meter. Take reading at thermopile terminals of gas valve. Should read 325 millivolts minimum while holding valve knob depressed in pilot position and wall switch "Off". Replace faulty thermopile if reading is below specified minimum. |
| | C. Plugged burner orifice. | Check burner orifices for debris and remove. |
| | D. Defective automatic valve operator. | Turn valve knob to "On", place wall switch to "On" millivolt meter should read greater than 100 mV. If the reading is okay and the burner does not come on, replace the gas valve. |
| 4. Frequent pilot outage problem. | A. Pilot flame may be too low or blowing (high) causing the pilot safety to drop out. | Clean and/or adjust pilot flame for maximum flame impingement on thermopile and thermocouple. |
| | B. Possible blockage of the vent terminal. | Check the vent terminal for blockage. |

Table 9

REPLACEMENT PARTS - DVR SERIES

FOR FIREPLACES EQUIPPED WITH SIT 820 MILLIVOLT GAS VALVE

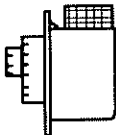
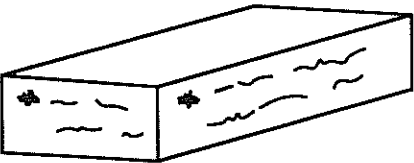

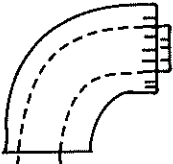
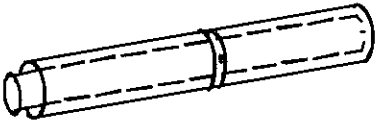
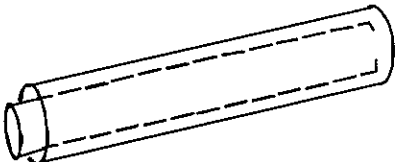
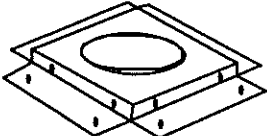
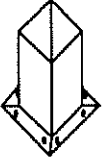
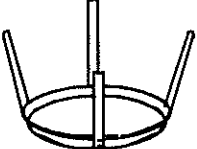
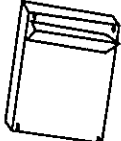


REPLACEMENT PARTS LIST - DVR SERIES

| | DESCRIPTION | DVR33 | DVR36 | DVR39 |
|------|---------------------------|----------|----------|----------|
| 1. | Log Set Complete | 54438 | 54306 | 54390 |
| 1a. | Log Front | 54441 | 54309 | 54391 |
| 1b. | Log Rear | 54442 | 54310 | 54392 |
| 1c. | Log Left | 54440 | 54308 | 54394 |
| 1d. | Log Right | 54439 | 54307 | 54393 |
| 1e. | Front ember log | 54822 | 54823 | 54824 |
| 1f. | Log Center | - | - | 54395 |
| 2. | Burner Front and tiles | 54432 | 54432 | 54432 |
| 3. | Burner Main and tiles | 54433 | 54433 | 54433 |
| 4. | Ceramic Tile (single) | 54330 | 54330 | 54330 |
| 5a. | Burner Main Orifice LP | 53552 | 50998 | 54612 |
| 5b. | Burner Main Orifice Nat. | 54529 | 54527 | 54530 |
| 6a. | Burner Front Orifice LP | 54528 | 54528 | 54672 |
| 6b. | Burner Front Orifice Nat. | 50998 | 50996 | 52979 |
| 7a. | Pilot Orifice Nova LP | 54420 | 54220 | 54220 |
| 7b. | Pilot Orifice Nova Nat. | 54219 | 54219 | 54219 |
| 8a. | Pilot Assembly Nova LP | 54435 | 54435 | 54435 |
| 8b. | Pilot Assembly Nova Nat. | 54434 | 54434 | 54434 |
| 9. | Ignitor Piezo | 52464 | 52464 | 52464 |
| 10. | Cable Ignitor | 51850 | 51850 | 51850 |
| 11. | Electrode Ignitor Nova | 52465 | 52465 | 52465 |
| 12. | Pilot Tubing | 51873 | 51873 | 51873 |
| 13. | Thermocouple Nova | 51848 | 51848 | 51848 |
| 14. | Thermopile Nova | 51827 | 51827 | 51827 |
| 15a. | Valve Nova LP | 52678 | 52678 | 52678 |
| 15b. | Valve Nova Nat. | 52677 | 52677 | 52677 |
| 16. | Fan with Bracket | 54103 | 54103 | 54103 |
| 17. | Electrical Cord (6ft.) | 54429 | 54429 | 54429 |
| 18. | Fan Temperature Sensor | 51704 | 51704 | 51704 |
| 19. | Speed Control | 51738 | 51738 | 51738 |
| 20. | Speed Control Knob | 51882 | 51882 | 51882 |
| 21. | Glass with Gasket | 54234 | 54427 | 54445 |
| 22. | Gasket Glass | 52949-5 | 52949-6 | 52949-9 |
| 23. | Glass Frame | 53690 | 54113 | 54363 |
| 24. | Clamp - Frame Window | 54174 | 54174 | 54174 |
| 25. | Glass Brass Trim (AB/PB) | 53687 | Optional | Optional |
| 26. | Access Door Hinge | 52356 | 52356 | 52356 |
| 27. | Ceramic Refractory Kit | Optional | Optional | Optional |
| 28. | Front Louvres | 54235 | 54430 | 54446 |
| 29. | Access Door | 54237 | 54431 | 54447 |
| 30. | Remote Switch | 51842 | 51842 | 51842 |
| 31. | Remote Wire Harness | 53010 | 53010 | 53010 |
| | | | | |
| | | | | |

Table 10

DVR SERIES VENTING COMPONENTS

| | |
|---|---|
|  | <p>7DVRVT - Through the wall Rear Vent Termination</p> |
|  | <p>Starter Kit - Model 7DVSK - Sidewall Venting Starter Kit - Model 7DVSKV - Vertical Venting for 7DVSKV-A order 1/12 to 6/12 roof pitch for 7DVSKV-B order 7/12 to 12/12 roof pitch for 7DVSKV-F order flat roof Starter Kit - Model 7DVSKS - Snorkel Kit for Below Grade Installation</p> |
|  | <p>45° elbow kit 7DVR45 for Rear Vent Applications</p> |
|  | <p>90° transition elbow kit 7DVRT90 for Vertical Sidewall Applications or thru-the-roof.</p> |
|  | <p>Telescopic vent sections 7DVP610 - 6" to 10" adjustable length 7DVP1018 - 10" to 18" adjustable length 7DVP1834 - 18" to 34" adjustable length 7DVP3466 - 34" to 66" adjustable length</p> |
|  | <p>Pipe sections for vertical or horizontal venting Model 7DVP8" Model 7DVP12" Model 7DVP24" Model 7DVP36" Model 7DVP48"</p> |
|  | <p>Firestop Spacer Model 7DVFS</p> |
|  | <p>Attic Insulation Shield Model 7DVAIS</p> |
|  | <p>Vertical/Horizontal Combination Offset Support Model 7DVCS</p> |
|  | <p>7DVSS Siding Shield (to protect siding)</p> |

Insta-Flame

by MAJESTIC

LIMITED WARRANTY & EXTENDED LIFE

For all Insta-Flame by Majestic Gas Fire

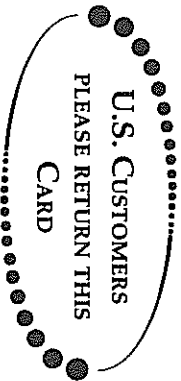
BASIC WARRANTY:

The CFM Majestic Products Company Inc. and The Majestic Products Company (hereinafter referred to collectively as the "Company") warrants that your new *Insta-Flame* by Majestic Gas Fireplace is free from manufacturing and material defects for a period of one year from date of installation, subject to the following conditions and limitations.

EXTENDED LIFE TIME WARRANTY:

The heat exchanger, combustion chamber and ceramic burner parts of every *Insta-Flame* by Majestic product are warranted for life to the original owner, subject to proof of purchase and the following conditions and limitations:

- This new *Insta-Flame* by Majestic product must be installed by a competent, authorized service contractor. It must be installed and operated at all times in accordance with the installation and Operating Instructions furnished with the product. Any alteration, willful abuse, accident, or misuse of the product shall nullify this warranty.
- This warranty is non-transferable, and is made to the original owner, provided that the purchase was made through an authorized supplier of the Company.
- This warranty is limited to the repair or replacement of part(s) found to be defective in material or workmanship, provided that such part(s) have been subjected to normal conditions of use and service, after said defect is confirmed by the Company's inspection.
- The Company may, at its discretion, fully discharge all obligations with respect to this warranty by refunding the wholesale price of the defective part(s).
- Any installation, labour, construction, transportation, or other related costs/expenses arising from defective part(s), repair, replacement, or otherwise of same, will not be covered by this warranty, nor shall the Company assume responsibility for same. Further, the Company will not be responsible for any incidental, indirect, or consequential damages, except as provided by law.
- All other warranties - expressed or implied - with respect to the product, its components and accessories, or any obligations/liabilities on the part of the Company are hereby expressly excluded.
- The Company neither assumes, nor authorizes any third party to assume, on its behalf, any other liabilities with respect to the sale of this *Insta-Flame* by Majestic product.
- The warranties as outlined within this document do not apply to chimney components or other non *Insta-Flame* by Majestic accessories used in conjunction with the installation of this product.
- The Company will not be responsible for ...
 - Down drafts or spillage caused by environmental conditions such as near-by trees, buildings, roof tops, hills, or mountains.
 - Inadequate ventilation or negative air pressure caused by mechanical systems such as furnaces, fans, clothes dryers, etc.



WARRANTY REGISTRATION

Name & Address: _____

Date Installed: _____

Supplier's Name & Address: _____

Installer's Name & Address: _____

Type of home: single family semi-detached town house high-rise condominium

Price range: _____ Town/Area: _____

Household Income: under \$25,000 \$25-50,000 \$50-75,000 \$75-100,000 \$100,000+

Number in household: _____

In which room was it installed? _____

Why did you choose this product? _____

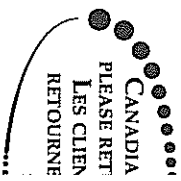
Place Bar Code Here

NOTE: Return this card within 10 days of installation for registration of warranty.

- This warranty is
 - The fireplace
 - The fireplace
 - Any damage limited to, in
 - Any alteration

Glass doors are not w
Brass parts should be
Company will not be r

- Contact your sup
- DO NOT ATTEM!



WARRANTY / I ENREGISTRE

Name & Adresse: _____

Date Installed/ _____

Dealer's Name _____

Installer's Name _____

Type of home: _____

Price range: _____

Household Income _____

Number in household _____

In which room _____

Why did you choose _____

NOTE: Return Pour c

Insta-Flame

by MAJESTIC

GARANTIE DE BASE:

The CFM Majestic Products Company Inc. et The Majestic Products Company (ci-après désignées collectivement comme la "Société") garantit que votre nouvelle *Insta-Flame* par Majestic contre tous défauts de fabrication, sous réserve des conditions et limitations suivantes.

GARANTIE A VIE PROLONGÉE:

Les pièces de l'échangeur de chaleur, de la chambre à gaz pour la vie de l'acheteur d'origine, le tout, sujet à une p

- Ce nouveau produit *Insta-Flame* par Majestic doit être installé et utilisé conformément aux instructions d'installation et de fonctionnement fournies avec ce produit.
- Cette garantie n'est pas transférable et est offerte à l'acheteur de la Société.
- Cette garantie est limitée à la réparation ou au remplacement des pièces défectueuses.
- La Société peut, à sa discrétion, se décharger entièrement de ses obligations en matière de réparation, de remplacement ou d'autres services, si la réparation ou le remplacement de la pièce défectueuse est jugé économiquement non rentable.
- Tous les frais/dépenses d'installation, de main-d'œuvre, de transport, de déplacement ou autres, ne seront pas couverts par cette garantie.
- Toutes autres garanties, exprimées ou sous-entendues, de la part de la Société sont aux présentes expressément exclues.
- La Société n'assume et n'autorise personne à assumer d'autres obligations ou responsabilités en matière de vente de ce produit.



475 Adr
Mississ
L5T 2N1
CANAD

GARANTIE LIMITEE & PROTECTION A VIE PROLONGEE

Sur tous les produits pour foyers au gaz Insta-Flame by Majestic

8. Les garanties, telles que décrites dans ce document, ne s'appliquent pas aux composants de cheminée ou aux autres accessoires non Insta-Flame by Majestic utilisés conjointement pour l'installation de ce produit.

9. La Société n'encourra aucune responsabilité pour ...
a) Les retournements de cheminées ou débordements causés par les conditions environnementales comme par les arbres, les édifices, les toits, les côtes ou les montages adjacents.
b) Une ventilation inadéquate ou une pression d'air négative causée par des systèmes mécaniques comme les fournaises, les ventilateurs, les sécheuses, etc.

10. Cette garantie est nulle si:
a) Le foyer a été utilisé dans une atmosphère contaminée par du chlore, du fluor ou tous autres produits chimiques.
b) Le foyer est assujéti à de longues périodes d'humidité ou de condensation.
c) Des dommages sont causés au foyer, à la chambre de combustion, à l'échangeur de chaleur ou aux autres composants par de l'eau ou par la température qui est le résultat mais sans y être limité, d'une mauvaise installation de cheminée/ventilation.
d) Toute altération, abus volontaire, accident ou mauvais usage du produit annulera cette garantie.

PORTES EN VERRE & PIÈCES PLAQUEES LAITON
Les portes en verre ne sont pas garanties contre le bris causé par un mauvais usage ou un accident.
Les pièces en laiton devraient être nettoyées qu'avec de l'essence de citron. Les nettoyeurs de laiton ne peuvent pas être utilisés. La Société ne sera pas responsable pour, et ne garantit pas les pièces en laiton qui sont endommagées par des conditions chimiques externes ou de rouille.

SI UN SERVICE SOUS GARANTIE EST REQUIS
1. Communiquez avec votre détaillant. Assurez-vous que vous avez votre garantie, votre reçu de caisse ainsi que le numéro de modèle/série de votre produit Insta-Flame by Majestic.
2. NE TENTEZ PAS D'EFFECTUER DES REPARATIONS VOUS-MEME.

ducts Company (aux présentes nommée la "Société") garantit votre nouveau foyer au gaz et de matières premières pour une période d'un an à compter de la date d'installation, à condition que l'installation ait été effectuée par un installateur agréé par la Société.

tion et du brûleur en céramique de tout produit Insta-Flame by Majestic sont garanties à l'achat et aux conditions et limitations suivantes:

Il est interdit d'utiliser le produit pour un usage autre que celui pour lequel il est conçu. Le produit doit être installé et utilisé en tout respect des instructions fournies avec le produit. Toute altération, abus volontaire, accident ou mauvais usage du produit annulera cette garantie.

Le produit est garanti, à condition que l'achat soit effectué par l'entremise d'un détaillant autorisé par la Société. Les garanties s'appliquent aux produits installés et utilisés en tout respect des instructions normales d'usage et de service, après que ledit défaut a été confirmé par une inspection par un technicien qualifié. La Société n'assume aucune responsabilité pour ceux-ci. De plus, la Société n'assume aucune responsabilité pour ceux-ci. De plus, la Société n'assume aucune responsabilité pour ceux-ci.

Le produit est garanti, à condition que l'achat soit effectué par l'entremise d'un détaillant autorisé par la Société. Les garanties s'appliquent aux produits installés et utilisés en tout respect des instructions normales d'usage et de service, après que ledit défaut a été confirmé par une inspection par un technicien qualifié. La Société n'assume aucune responsabilité pour ceux-ci. De plus, la Société n'assume aucune responsabilité pour ceux-ci.

Le produit est garanti, à condition que l'achat soit effectué par l'entremise d'un détaillant autorisé par la Société. Les garanties s'appliquent aux produits installés et utilisés en tout respect des instructions normales d'usage et de service, après que ledit défaut a été confirmé par une inspection par un technicien qualifié. La Société n'assume aucune responsabilité pour ceux-ci. De plus, la Société n'assume aucune responsabilité pour ceux-ci.

THE **MAJESTIC** PRODUCTS COMPANY
1000 East Market St. Huntington IN 46750

THE **MAJESTIC** PRODUCTS COMPANY
475 Admiral Blvd. Mississauga ON L5T 2M1

Place
Stamp
Here

Place
Stamp
Here

MAJESTIC PRODUCTS COMPANY
1000 East Market Street
Huntington IN 46750
U.S.A.

THE **MAJESTIC** PRODUCTS COMPANY
1000 East Market Street
Huntington IN 46750
U.S.A.