

This Owner's Manual is provided and hosted by [Appliance Factory Parts](#).



# Pelonis MPF-12CR Owner's Manual

[Shop genuine replacement parts for Pelonis MPF-12CR](#)



[Find Your Pelonis Air Conditioner Parts - Select From 12 Models](#)

----- Manual continues below part list -----

## Available Replacement Parts for Pelonis MPF-12CR

<a href="#">201125490238-39</a>	Window adapter
<a href="#">A6200-280</a>	Dpac Heat Exhaust Hose
<a href="#">12120600000440</a>	Slider I (24-Inch X 4-Inch )
<a href="#">12120600000443</a>	Slider li 26.5-Inch X 4-Inch-Oval X 1



**PORTABLE  
AIR CONDITIONER  
OWNER'S MANUAL**

**Models  
MPF-12CR**

Thank you for purchasing this product. Please read this Owner's Manual carefully before operating.



Table of Contents.....1

---

---

## CONTENTS

<b>1.SAFETY RULES.....</b>	<b>1</b>
<b>2.NAMES OF PARTS.....</b>	<b>2</b>
<b>3.ACCESSORIES.....</b>	<b>2</b>
<b>4.OPERATION PANEL OF THE AIR CONDITIONER.....</b>	<b>3</b>
<b>5.OPERATING INSTRUCTION FOR THE AIR CONDITIONER .....</b>	<b>4</b>
<b>6.INSTALLATION.....</b>	<b>6</b>
<b>7.MAINTENANCE.....</b>	<b>7</b>
<b>8.TROUBLE SHOOTING.....</b>	<b>8</b>
<b>9.REMOTE CONTROLLER.....</b>	<b>9-13</b>
<b>10.GUARANTEE.....</b>	<b>14</b>

---

---

---

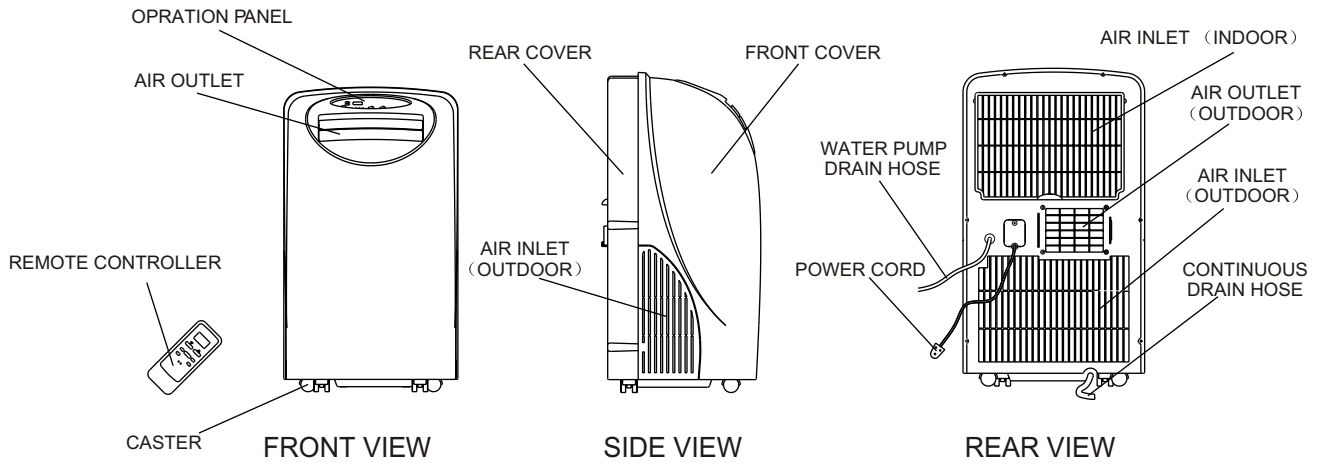
---

### SAFETY RULES

1. DO NOT CONNECT UNIT TO ANY AC SOCKET IN DISREPAIR OR WITH CONNECTIONS.
2. DO NOT USE IN THE FOLLOWING LOCATIONS:
  - NEXT TO SOURCE OF FIRE.
  - AN AREA WHERE OIL IS LIKELY TO SPLASH.
  - AN AREA EXPOSED TO DIRECT SUNLIGHT.
  - AN AREA WHERE WATER IS LIKELY TO SPLASH.
  - NEAR A BATH, ASHOWER OR A SWIMMING POOL
  - IN THE GREEN HOUSE
3. NEVER INSERT YOUR FINGERS OR ANY FOREIGN OBJECTS INTO THE AIR OUTLET. TAKE SPECIAL CARE TO WARN CHILDREN OF THESE DANGERS.
4. ALWAYS STORE THE UNIT UPRIGHT IN ORDER TO MAINTAIN THE COMPRESSOR IN A PROPER CONDITION.
5. BE SURE TO UNPLUG THE UNIT BEFORE CLEANING.
6. THE HEATER MUST NOT BE LOCATED IMMEDIATELY BELOW A SOCKET OUTLET.
7. IF THE APPLIANCE IS COVERED, THERE IS A RISK OF OVERHEAT.
8. IF THE SUPPLY TOOL OF THIS APPLIANCE IS DAMAGED, IT MUST BE REPLACED BY A REPAIR SHOP APPOINTED BY THE MANUFACTURER, BECAUSE SPECIAL PURPOSE TOOLS ARE REQUIRED.

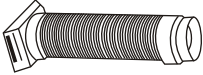

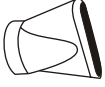



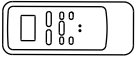

**NOTE:** The air-conditioner can be connected only to a supply with system impedance no more than 0.4582 ohm. In case necessary, please consult your supply authority for system impedance information.

## NAMES OF PARTS



**Fig.1**

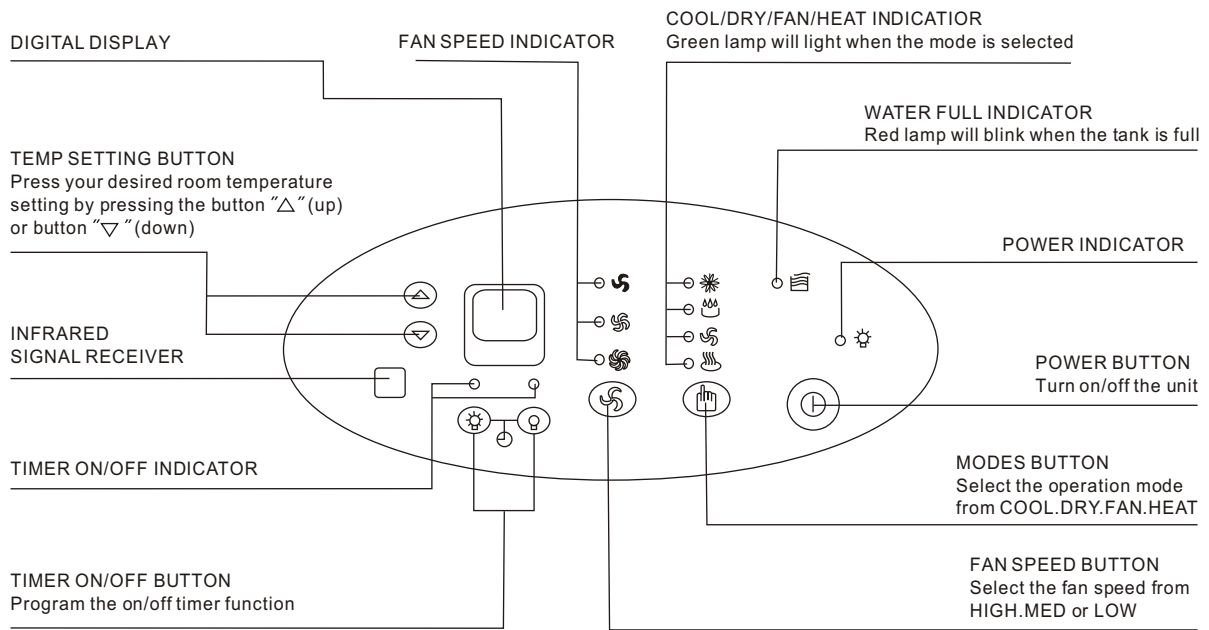
## ACCESSORIES

<i>PARTS :</i>	<i>PARTS NAME :</i>	<i>QUANTITY :</i>
	<i>DUCT</i>	<i>1</i>
	<i>ADAPTOR A (FOR PERMANENT DUCT MOUNTING)</i>	<i>1</i>
	<i>ADAPTOR B (FOR TEMPORARY DUCT MOUNTING)</i>	<i>1</i>
	<i>WALL PLUG</i>	<i>4</i>
	<i>SCREWS</i>	<i>4</i>
	<i>ALKALINE BATTERIES</i>	<i>2</i>
	<i>REMOTE CONTROLLER</i>	<i>1</i>
	<i>WATER PUMP DRAIN HOSE</i>	<i>1</i>

**Fig.2**

- Check all the accessories are included in the package and please refer to the installation instructions for their usage.

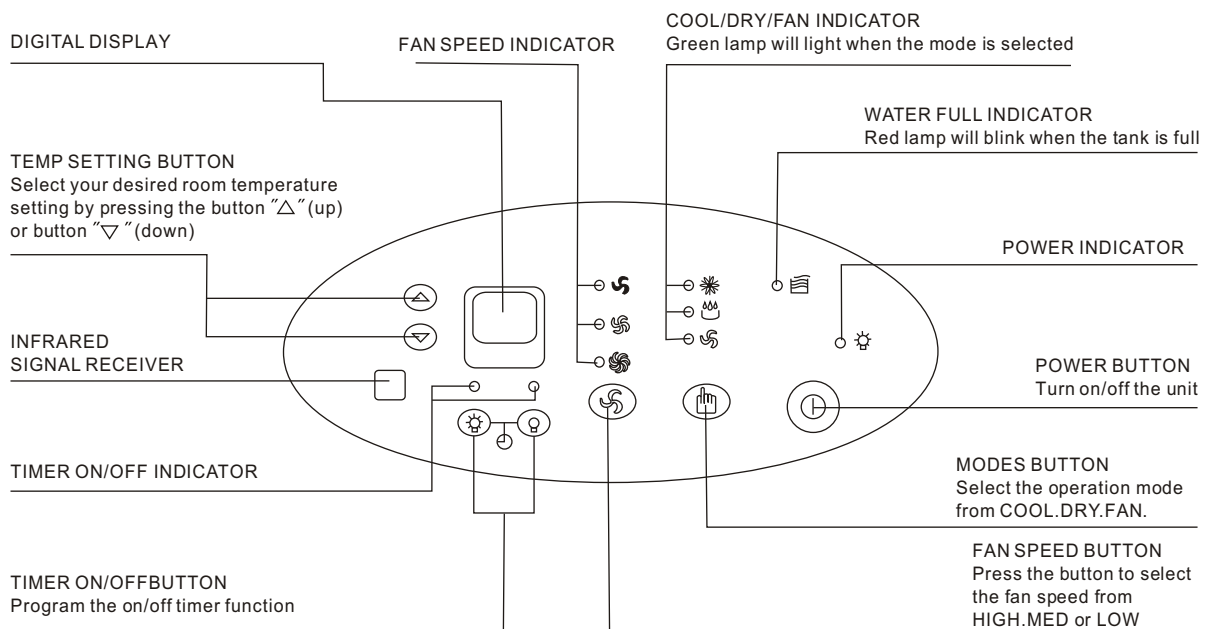
OPERATION PANEL OF THE AIR CONDITIONER(COOLING AND HEATING)



OPERATING PANEL

**Fig.3**

OPERATION PANEL OF THE AIR CONDITIONER(COOLING ONLY TYPE)



OPERATING PANEL

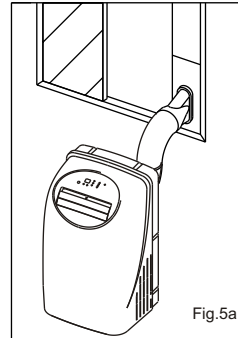
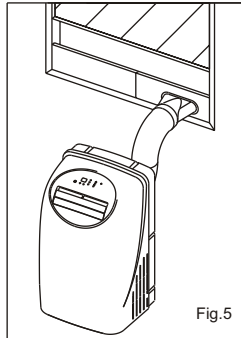
**Fig.4**

---

## OPERATING INSTRUCTING FOR THE AIR CONDITIONER

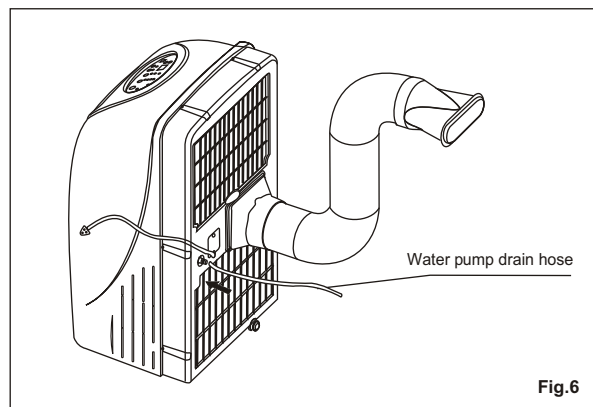
### Before Starting This Unit

- 1) Select a suitable location, make sure you have easy access to an electrical outlet.
- 2) Install the Flexible Exhaust Hose and the Adjustable Window Slider Kit as depicted in Fig.5 & Fig.5a



NOTE: Step 2 is required only while using the "cooling mode".

- 3) Plug the unit into a 115V~60Hz grounded electrical outlet.
- 4) Make sure the water pump drain hose is correctly installed.
- 5) Press the "on / off" button to turn on the unit.



### 1 BEFORE USE

#### Dehumidifying and Cooling Operations

- The operating range for cooling operating is 17°C-30°C/63°F-86°F.
- If the cooling or dehumidifying operations have been switched off and need switching on again in a short time, allow approximately three minutes for the cooling or dehumidifying operations to resume.
- Make sure the water pump drain hose is correctly connected to the unit.

#### Power supply:

- Insert the AC Power Plug to a AC socket.
- Do not connect the air conditioner to a multiple socket outlet which is also being used for other electrical appliance.
- Be sure the power supply is AC 115V~ 60Hz.

---

2 *COOLING OPERATION (Operating temperature range: 17°C-32°C/63°F-90°F)*

- Press the "MODE" button several times until the "COOL" indicator light comes on.
- Press the "TEMP SETTING" buttons "▲" or "▼" to select your desired room temperature. (17°C-30°C/63°F-86°F)
- Press the "FAN SPEED" button to choose the fan speed.

3 *DEHUMIDIFYING OPERATION (Operating temperature range: 13°C-32°C/55°F-90°F)*

- Press the "MODE" button several times until the "DRY" indicator light comes on.
- The fan will run at a fixed speed at this setting.
- Keep windows and doors closed for the best dehumidifying effect.
- Do not put the duct to window.

4 *HEATING OPERATION (Cooling only type without heat feature)*

*(Operating temperature range: 5°C-30°C/41°F-86°F)*

- Press the "MODE" button several times until the "HEAT" indicator light comes on.
- Press the "TEMP SETTING" buttons "▲" or "▼" to select your desired room temperature. (17°C-30°C/63°F-86°F)
- Press the "FAN SPEED" button to choose the fan speed.
- Do not put the duct to window.

5 *FAN OPERATION*

- Press the "MODE" button several times until the "FAN" indicator light comes on.
- Press the "FAN SPEED" button to choose the fan speed.
- Do not put the duct to window.

6 *TIMER OPERATION*

Setting the on timer:

- Press the "TIMER ON" button when the air conditioner is off. Select the time you need the unit start to operate.
- The Operation Panel Window will display "ON"
- The starting time is adjustable from 0.00 to 24.

Setting the off timer:

- Press the "TIMER OFF" button when the air conditioner is on. Select the time you need the unit turn off. The Operation Panel Window will display "OFF".
- The turning off time is adjustable from 0.00 to 24.

7 *WATER PUMP DRAINAGE*

- Connect the water pump drain hose to the unit before operate. When the water level of the internal water tank reaches a predetermined level, the water pump will be activated and drain the condensed water outside through the connected drain hose. The maximum delivery lift is 3.5m. (Under this condition, attach the rubber blockage to the back hole to prevent continuous drainage.)

8 *CONTINUOUS DRAINAGE*

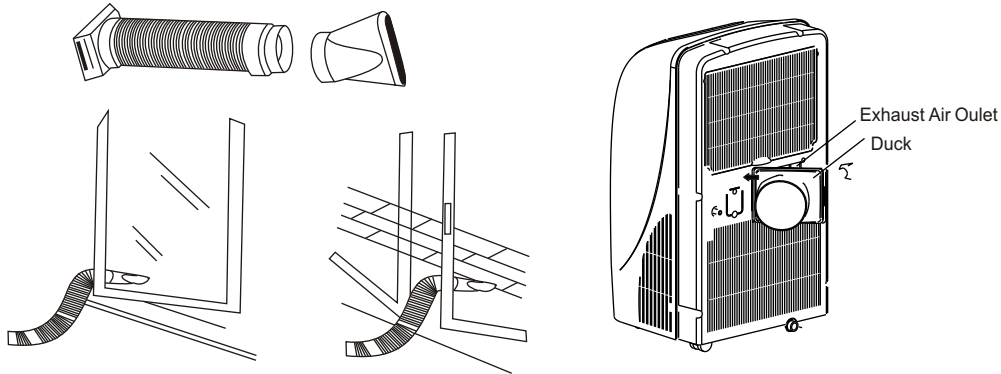
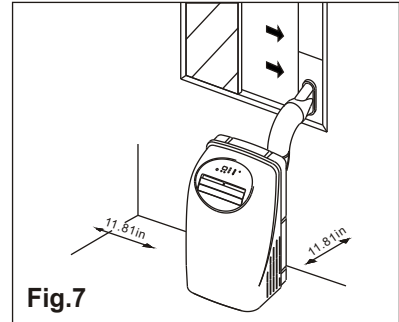
- When you plan to leave this unit unused for a long time, remove the rubber blockage from the back hole and attach a section of the continuous drain hose to drain hose connector. All the water in the water tank would drain outside through the drain hose. (Under this condition, the water pump is not activated.)

## INSTALLATION

### 1 *IMPORTANT:*

Install the mobile air conditioner in a flat and spacious location where the air outlets will not be covered up. A minimum clearance of 11.8in from a wall or other obstacles should be kept. The appliance shall not be used in the laundry. The plug shall accessible after appliance is positioned. Wiring shall be done according to National rules.

### 2 *DUCT MOUNT INSTRUCTIONS:*

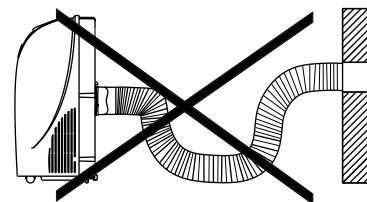
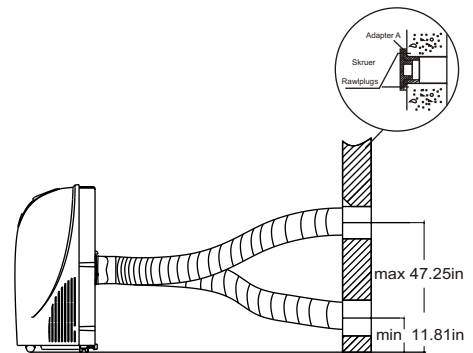


#### A) *TEMPORARY-*

1. Attach one end of the duct to the exhaust air outlet of the mobile air conditioner, first fit the left side of the duct on the exhaust air panel, then the right side duct. Push it downwards, be sure to fix thoroughly. (See the Fig.8)
2. Attach the other end of the duct to adaptor B.
3. Put the end of duct to a nearby window.

#### B) *PERMANENT-*

1. Attach one end of the duct to the exhaust air outlet of the mobile air conditioner. According to the arrow direction, first fit the left side of the duct on the exhaust air panel, then the right side duct. Push it downwards, be sure to fix thoroughly. (See the Fig.7)
  2. Install the adaptor A onto the wall by using 4 wall plug and screws, be sure to fix thoroughly. (See the Fig.9)
  3. Attach the other end of the duct to adaptor A.
  4. Cover the hole using the adaptor cap when not in use.
- The duct can be compressed or extended between 20in and 80in, but it is desirable to keep the duct length to a minimum.



### *IMPORTANT:*

DO NOT OVER BEND THE DUCT (SEE Fig.10)

### Window Kit Installation

Your window kit has been designed to fit most standard "Vertical" and "horizontal" window applications. However, it may be necessary for you to improvise/modify some aspects of the installation procedures for certain types of window. Please refer to Fig. 11 & Fig. 11a for minimum and maximum window openings.

### Drain Tank Safety Feature

This unit is equipped with an internal water tank, two full-safe switch mechanisms, one is used to control the water pump drainage, the other is used to monitor the water level inside the internal water tank. When the water level reaches a predetermined level, the full-safe switch mechanism is activated. The digital display shows "P1" and the water full indicator light illuminates. Carefully move the unit outside, remove the rubber blockage from the back drainage hole and drain the water off. The unit will continue operating properly.

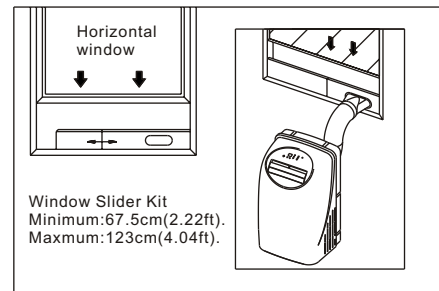


Fig.11

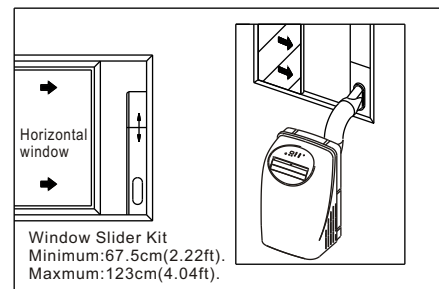


Fig.11a

## MAINTENANCE

### IMPORTANT:

- 1) BE SURE TO UNPLUG THE UNIT BEFORE CLEANING.
- 2) DO NOT USE GASOLINE, THINNER OR OTHER CHEMICALS TO CLEAN THE UNIT.
- 3) DO NOT WASH THE UNIT DIRECTLY UNDER A TAP OR USING A HOSE. THE ELECTRICAL CAUSE DANGER.
- 4) IF THE POWER CORD IS DAMAGED, IT SHOULD BE REPAIRED BY MANUFACTURE OR ITS AGENCY.

### 1 AIR FILTER

- Clean the air filter at least once every two weeks to prevent interior fan operation because of dust.

#### Removal

Pull out the filter cover and remove the air filter from the filter cover.

#### Cleaning

Wash the air filter by immersing it gently in warm water (about 40°C/104°F) with a neutral detergent. Rinse the filter and dry it in a shady place.

#### Mounting

Attach the air filter to the filter cover using the attachment hooks on the inner surface of the cover. Put the filter cover back to the unit.

### 2 UNIT ENCLOSURE

- Use a lint-free cloth soaked with neutral detergent to clean the unit enclosure. Finished by a dry clean cloth.

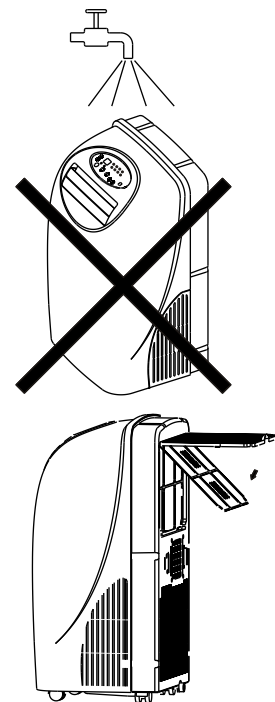


Fig.12

## TROUBLE SHOOTING

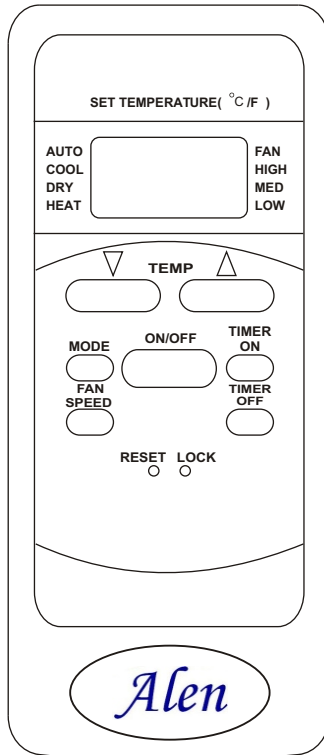
<i>TROUBLES</i>	<i>POSSIBLE CAUSES</i>	<i>SUGGEST REMEDIES</i>
1. UNIT DOES NOT START WHEN PRESSING 1/O BUTTON	- Water full indicator blinks, water tank is full.	Dump the water in the water tank.
	- Room temperature is higher than the set temperature.(Heating mode)	Reset the temperature.
	- Room temperature is lower than the set temperature.(Cooling mode)	Reset the temperature.
2. NOT COOL ENOUGH	- The windows or doors in the room are not closed.	Make sure all the windows and doors are closed.
	- There are heat sources inside the room.	Remove the heat sources if possible.
	- Exhaust air duct is not connected or blocked.	Connect the duct and make sure it can function properly.
	- Temperature setting is too high.	Decrease the set temperature.
	- Air filter is blocked by dust.	Clean the air filter.
3. POWER SHUT OFF AT HEATING MODE	- <i>The automatic over heat protection function. When the temperature at the air outlet exceed 70°C/158°F,the device will stop.</i>	Switch on again after the unit has cool down.
4. NOISY OR VIBRATION	- The ground is not level or not flat enough.	Place the unit on a flat, level ground if possible.
5. GURGLING SOUND	- The sound comes from the flowing of the refrigerant inside the air-conditioner.	It is normal.



**OWNER'S MANUAL**

**REMOTE CONTROLLER**

**FOR PORTABLE AIR CONDITIONER**



---

---

## CONTENTS

1.Warning-----	10
2.Remote Controller Specifications-----	11
3.Performance Features-----	11
4.Introduction of Function Buttons on the Remote Controller-----	11
5.Names and Functions of indicators on Remote Controller-----	12
6.Operating of the Remote Controller-----	12

Note:

1. This operating manual is applicable to the following models of remote controller: R51H, R51H/C
2. Model R51H is used for cooling & heating type or heating pump type air conditioner.  
Model R51H/C is used for cooling only type air conditioner.

### **Warning**

1. Be sure there are no barriers between the remote controller and the receiver of indoor unit otherwise the air conditioner will not work.
2. Keep the Remote Controller away from all liquids.
3. Protect the Remote Controller from high temperatures and exposure to radiation.
4. Keep the indoor receiver out of direct sunlight or the Air Conditioner may malfunction.
5. Keep controller away from EMI (Electro-Magnetic Interference) supplied by other household appliances.

## Remote Controller Specifications

Model	R51H, R51H/C
Rated Voltage	3.0V
Lowest Voltage of CPU Emitting Signal	2.0V
Reaching Distance Signal Range	8m
Environment	-5°C~60°C(-41°F~140°F)

## Performance Feature

1. Operating Mode: COOL、HEAT、 DRY、 FAN and AUTO.
2. Timer Setting Function in 24 hours.
3. Indoor Setting Temperature Range : 17°C~30°C.(63°F ~86°F)
4. LCD (Liquid Crystal Display) of all functions.
5. Control function of charactron tube

## Introduction of Function Buttons on the Remote Controller

- ① **TEMP Button ▼**: Push the button to decrease the indoor temperature setting.
- ② **MODE Select Button**: Each time you push the button, a mode is selected in a sequence that goes from AUTO、COOL、 DRY、 HEAT and FAN, as the following figure:



▲ **NOTE**: HEAT only for Heat Pump

- ③ **RESET Button**: When the RESET button is pushed, all of the current settings are cancelled and the control will return to the initial settings.
- ④ **LOCK Button**: Push this button to lock in all the current settings. To release settings, push again.
- ⑤ **TIMER ON Button**: Press this button to preset the time ON(start to operate). Each press will increase the time ON setting in 30 minutes increments. When the setting time displays 10:00, each press will increase the time ON setting in 60 minutes increments. To cancel the time ON program, simply adjust the time ON to 0:00.
- ⑥ **TIMER OFF Button**: Press this button to preset the time OFF (turn off the operation). Each press will increase the time OFF setting in 30 minutes increments. When the setting time displays 10:00, each press will increase the time OFF setting in 60 minutes increments. To cancel the time OFF program, simply adjust the time OFF to 0:00
- ⑦ **ON/OFF Button**: Push this button to start the unit operation, push the button again to stop the unit operation.
- ⑧ **FAN SPEED Button**: This button is used for setting Fan Speed in the sequence that goes from AUTO、LOW、MED to HIGH, then back to Auto.
- ⑨ **TEMP Button ▲**: Push the button to increase the indoor temperature setting.

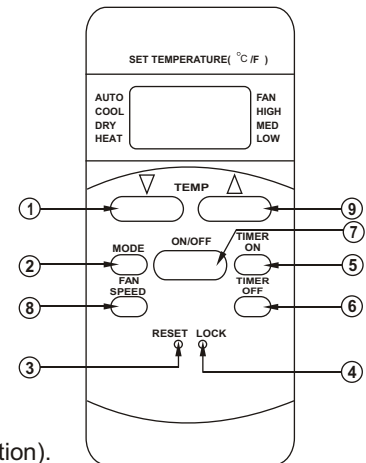


Fig. 1

## Names and Functions of indicators on Remote Controller

- ① **TRANSMISSION Indicator:** This indicator lights when remote controller transmits signals to indoor unit.
- ② **MODE Display:** Shows the current operation modes-- AUTO, COOL, DRY, HEAT and FAN. HEAT only available for heat pump model.
- ③ **HEAT PUMP ONLY - LOCK display** is displayed by pushing the LOCK button. Push the LOCK button again to clear display.
- ④ **TIMER Display:** This display area shows the settings of TIMER. That is, if only the starting time of operation is set, it will display the TIMER ON. If only the turning off time of operation is set, it will display the TIMER OFF. If both operations are set, it will show TIMER ON OFF which indicates you have chosen to set both the starting time and off time.
- ⑤ **FAN Display:** When the FAN button is pushed, this signal indicator lights.
- ⑥ **Digital Display Area:** This area will show the temperature and, if in the TIMER mode, will show the ON and OFF settings of the TIMER.

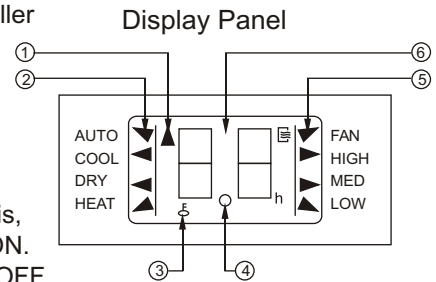


Fig. 2

**▲ NOTE:** All items are shown in the Fig.2 for the purpose of clear presentation But during the actual operation only the relative functional items are shown on the display panel.

## Operating of the Remote Controller

### 🔑 Install / Replace Batteries

The Remote Controller uses two alkaline dry batteries(R03/lr03X2).

1. To install batteries, slide back the cover of the battery compartment and install the batteries according to the directions (+and -) shown on the Remote Controller.
2. To replace the old batteries , use the same method as mentioned above.

### ▲ NOTE

1. When replacing batteries, do not use old batteries or a different type battery. This may cause the remote controller to malfunction.
2. If you do not use the remote controller for several weeks remove the batteries. Otherwise battery leakage may damage the remote controller.
3. The average battery life under normal use is about 6 months.
4. Replace the batteries when there is no answering beep from the indoor unit or if the Transmission Indicator light fails to appear.

### 🔑 AUTOMATIC OPERATION

When the Air Conditioner is ready for use, switch on the power and the OPERATION indicator lamp on the display panel of the indoor unit starts flashing.

1. Use the MODE select button to select AUTO.
2. Push the TEMP button to set the desired room temperature. The most comfortable temperature settings are between 21°C/70°F to 28°C/82°F
3. Push the ON/OFF button to start the air conditioner. The OPERATION lamp on the display panel of the indoor unit lights. The operating mode of AUTO FAN SPEED is automatically set and there are no indicators shown on the display panel of the remote controller.
4. Push the ON/OFF button again to stop the unit operation.


### ▲ NOTE

1. In the AUTO mode, the air conditioner can logically choose the mode of COOL, FAN, HEAT and DRY by sensing the difference between the actual ambient room temperature and the set temperature on the remote controller.
2. If the AUTO mode is not comfortable for you , the desired mode can be selected manually.

---

## COOL , HEAT, and FAN ONLY Operation

1. If the AUTO mode is not comfortable , you may manually override the settings by using COOL, DRY, HEAT(HEAT PUMP units only), or FAN ONLY modes.
2. Push the TEMP button to set the desired room temperature. When in COOLING mode, the most comfortable settings are 21 °C/70°F or above. When in HEATING mode, the most comfortable settings are 28°C/82°F or below.
3. Push the FAN SPEED to select the FAN mode of AUTO, HIGH, MED or LOW.
4. Push the ON/OFF button. The operation lamp lights and the air conditioner starts to operate per your settings. Push the ON/OFF button again to stop this unit operation.

 **NOTE:** *The FAN ONLY mode cannot be used to control the temperature. While in this mode, only steps 1、3 and 4 may be performed.*

## DRY OPERATION

1. Push the MODE button to select DRY.
2. Push the TEMP button to set the desired temperature from 21 °C/70°F to 28°C/82°F.
3. Push the ON/OFF button. The operation lamp lights and the air conditioner starts to operate in the DRY mode. Push the ON/OFF button again to stop this unit operation.

## TIMER Operation

TIMER ON button can set the auto-on time of the unit. TIMER OFF button can set the auto-off time of the unit.

### **1. To set the starting time.**

- 1.1 Push the TIMER ON button, then the remote controller shows TIMER ON , the last set time for the starting operation and the signal "h" will be shown on the DIGITAL DISPLAY area. You are now ready to reset the time to START the operation.
- 1.2 Push the TIMER ON button again to set desired unit start time.
- 1.3 After setting the TIMER ON ,there will be a one-half second delay before the remote controller transmits the signal to the air conditioner. Then, after approximately another 2 seconds, the signal "h" disappears and the set temperature will re-appear on the digital display.

### **2. To set the stopping time.**

- 2.1 Push the TIMER OFF button and the remote controller will show TIMER OFF, the last set time for the stopping operation and the signal "h" will be shown on the DIGITAL DISPLAY area. You are now ready to reset the time of the STOP operation.
- 2.2 Push the TIMER OFF button again to set the time you want to stop the operation.
- 2.3 After setting the TIMER OFF ,there will be a one-half second delay before the remote controller transmits the signal to the air conditioner. Then, after approximately another 2 seconds, the signal "h" disappears and the set temperature will re-appear on the digital display.

### **3. Set the starting & stopping time**

- 3.1 Push the TIMER ON button, the remote controller will show TIMER ON, the last set time for START operation and the signal "h" will be shown on the DIGITAL display area. You are now ready to readjust the TIMER ON to start the operation.
- 3.2 Push the TIMER ON button again to set the time you want to start the operation.
- 3.3 Push the TIMER OFF button, the remote controller will show TIMER OFF, the last set time for STOP operation and the signal "h" will be shown on the DIGITAL display area. You are now ready to reset the time to STOP operation.
- 3.4 Push the TIMER OFF button again to set the time you want to stop the operation.
- 3.5 After setting the TIMER, there will be a one-half second delay before the remote controller transmits the signal to the Air Conditioner. Then, after approximately another 2 seconds, the set temperature will re-appear on the digital display .

## NOTE

1. Please reset the TIMER after cancelling the former time settings.
2. The setting time is relative time. That is the time set is based on the delay of the current time.