



Internal Use Only

<http://biz.lgservice.com>

Room Air Conditioner

SVC MANUAL(Exploded View)

MODEL : LSN090HYV / LSU090HYV
LSN120HYV / LSU120HYV

CAUTION

Before Servicing the unit, read the safety precautions in General SVC manual.
Only for authorized service personnel.

Product Specifications

Models		Unit	LSN / LSU090HYV	LSN / LSU120HYV
Cooling Capacity		kW	0.30~2.63~3.80	0.30~3.51~4.04
		Btu/h.	1,023~9,000~12,966	1,023~12,000~13,785
Heating Capacity		kW	0.30~3.22~6.50	0.30~3.98~6.50
		Btu/h.	1,023~11,000~20,472	1,023~13,600~22,178
Power Input	Cooling/Heating	W	550/740	850/960
Running Current	Cooling/Heating	A	2.5/3.4	3.8 / 4.3
Starting Current	Cooling/Heating	A	2.5/3.4	3.8 / 4.3
EER		W/W	4.81	4.13
		Btu/h.W	16.4	14.1
SEER			28	26
HSPF			12	11.5
Power Supply		Ø / V / Hz	1/208-230/60	1/208-230/60
Power Factor		%	98.7	97.7
Air Flow Rate	Indoor,Max	m³/min(CFM)	15.5(547)	15.5(547)
	Outdoor,Max	m³/min(CFM)	33(1,165)	33(1,165)
Moisture Removal		l/h.	1.5	1.7
Sound Level	Indoor,H/M/L/Sleep	dB(A)±3	39 / 34 / 26 / 17	39 / 34 / 26 / 17
	Outdoor,Max	dB(A)±3	51	51
Refrigerant & Charge (at 7.5 m)		g(oz)	R410A, 1,250(44.1)	R410A, 1,250(44.1)
Additional Refrigerant charge		g/m(oz/ft)	20(0.22)	20(0.22)
Compressor	Type		2P Rotary	2P Rotary
	Model		GKT128MA	GKT128MA
	Motor Type		Hermetic Motor Compressor	Hermetic Motor Compressor
	Oil Type		FVC68D	FVC68D
	Oil Charge	cc	450	450
	O.L.P. name		-	-
Fan(Indoor)	Type		Cross Flow Fan	Cross Flow Fan
	Motor Output	W	20	20
Fan(Outdoor)	Type		Propeller, Fan	Propeller, Fan
	Motor Type		BLDC	BLDC
	Motor Output	W	85	85
Circuit Breaker*		A	15	15
Power Supply Cable		No.*mm²	3*1.0	3*1.0
Power and Transmission Cable No.*mm²		No.*mm²	4*1.0 (Including Earth)	4*1.0 (Including Earth)
Piping Connections	Liquid Side	mm(in)	6.35(1/4)	6.35(1/4)
	Gas Side	mm(in)	9.52(3/8)	9.52(3/8)
Drain Hose(O.D / I.D.)		mm(in)	21.5 / 16.0(0.85 / 0.63)	21.5 / 16.0(0.85 / 0.63)
Dimensions	Indoor (W*H*D)	mm	875*295*235	875*295*235
		inch	34.4*11.6*9.25	34.4*11.6*9.25
	Outdoor (W*H*D)	mm	870*655*320	870*655*320
		inch	34.2*25.8*12.6	34.2*25.8*12.6
Net Weight	Indoor	kg(lbs)	11.5(25.3)	11.5(25.3)
	Outdoor	kg(lbs)	43(94.8)	43(94.8)
Gross Weight	Indoor	kg(lbs)	13.0(28.6)	13.0(28.6)
	Outdoor	kg(lbs)	45(99.2)	45(99.2)
Operation Range	Cooling(Outdoor)	°C(°F)	-10~48(14~118.4)	-10~48(14~118.4)
	Heating(Outdoor)	°C(°F)	-10~24(14.0~75.2)	-10~24(14.0~75.2)
Piping Length (Min/Max)		m(ft)	3(9.84) / 15(49.2)	3(9.84) / 15(49.2)
Chargeless		m(ft)	-	-
Max. Elevation Difference		m(ft)	10(32.8)	10(32.8)
Tool Code(Chassis)	Indoor + Outdoor		SM + UE	SM + UE
Functions	Temperature Control		Thermistor	Thermistor
	Allergy free filter		-	-
	Plasma Filter		○	○
	Prefilter(washable/anti-fungus)		○	○
	Auto Clean		○	○
	CHAOS Wind(Auto Wind)		○	○
	Steps, Fan/Cool/Heat		5/6/6	5/6/6
	Airflow Direction Control(up& Down)		Auto	Auto
	Airflow Direction Control(left & right)		Auto	Auto
	Remote Controller Type		Better	Better
	Setting Temperature	Cooling	18°C ~ 30°C	18°C ~ 30°C
	Range	Heating	16°C ~ 30°C	16°C ~ 30°C
	Auto Operation (Micom Control)		-	-
	Auto Changeover (Micom Control)		○	○
	Self Diagnosis		○	○
	Timer		24h, On/Off	24h, On/Off
	Sleep Operation		○	○
	Soft Dry Operation		○	○
	Restart Delay(minute)		3	3
	Deice Control(Defrost)		○	○
	Hot Start		○	○
	Jet Cool		○	○
	Low Ambient Operation		○	○
	Special Function		Water Level Sensor	Water Level Sensor

Note:

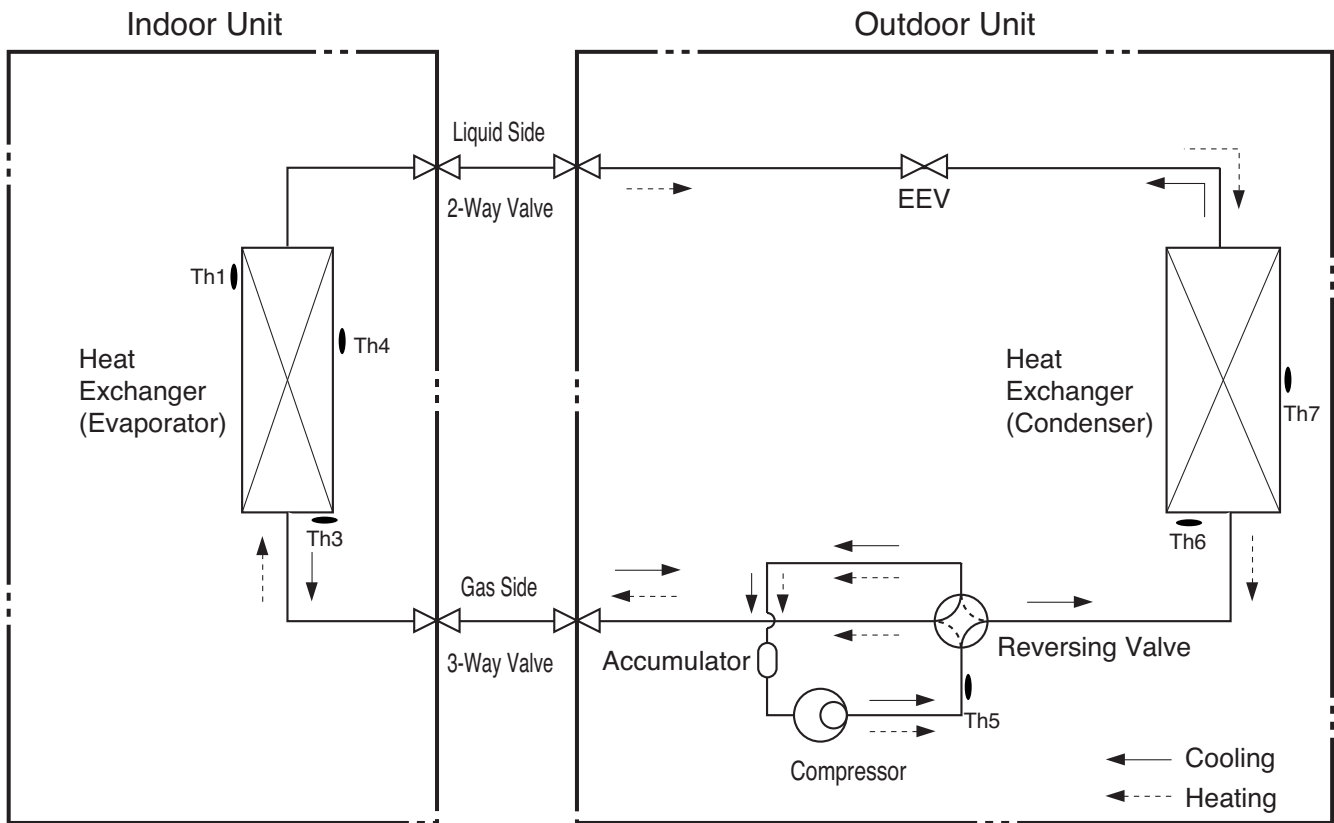
○ : Applied, - : No relation

* For circuit breaker rating, please conform to local standards wherever necessary.

* Some of functions are slightly different depending upon models.

* The specification may be subject to change without notice for purpose of improvement.

2. Piping Diagrams

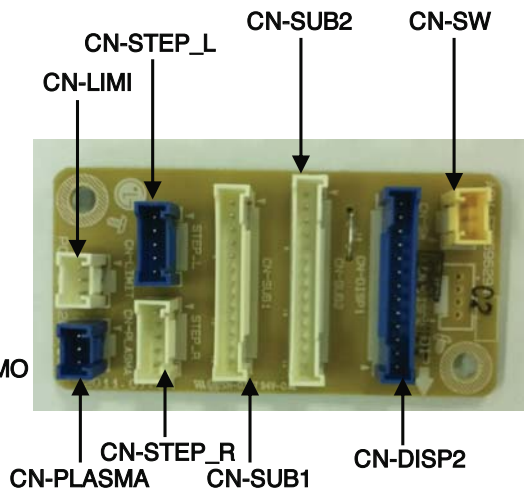
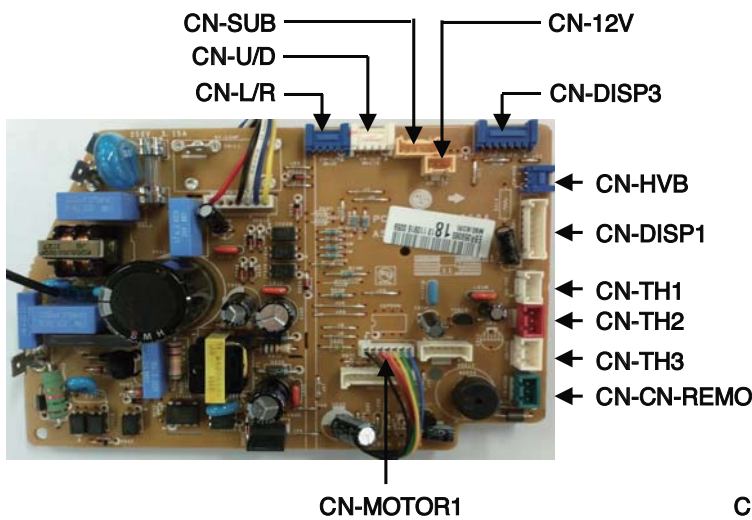
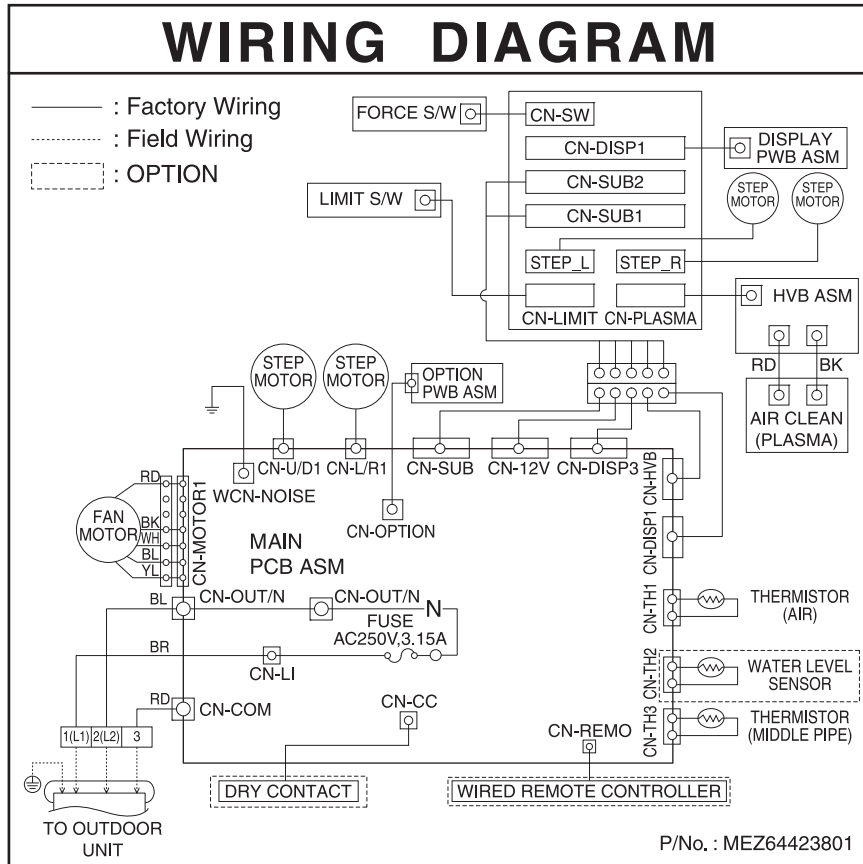


LOC.	Description	PCB Connector
Th1	Thermistor for suction air temperature	CN-TH1(Indoor)
Th3	Water level sensor (Option)	CN-TH2(Indoor)
Th4	Thermistor for evaporator middle temperature	CN-TH3(Indoor)
Th5	Thermistor for discharge pipe temperature	CN-TH2(OUTDOOR)
Th6	Thermistor for condensing temperature	CN-TH1(OUTDOOR)
Th7	Thermistor for outdoor air temperature	CN-TH1(OUTDOOR)

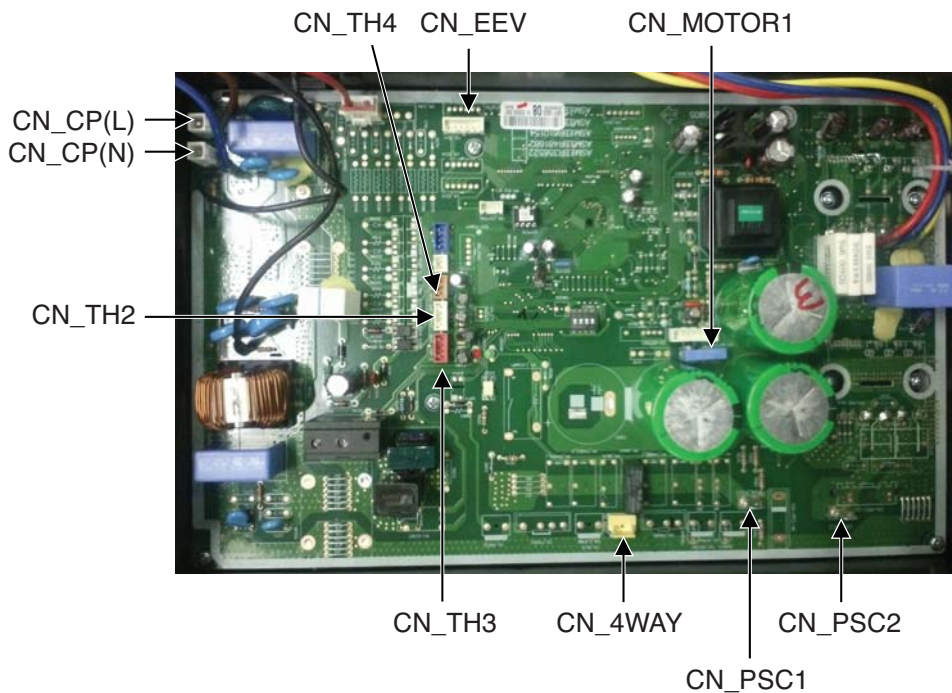
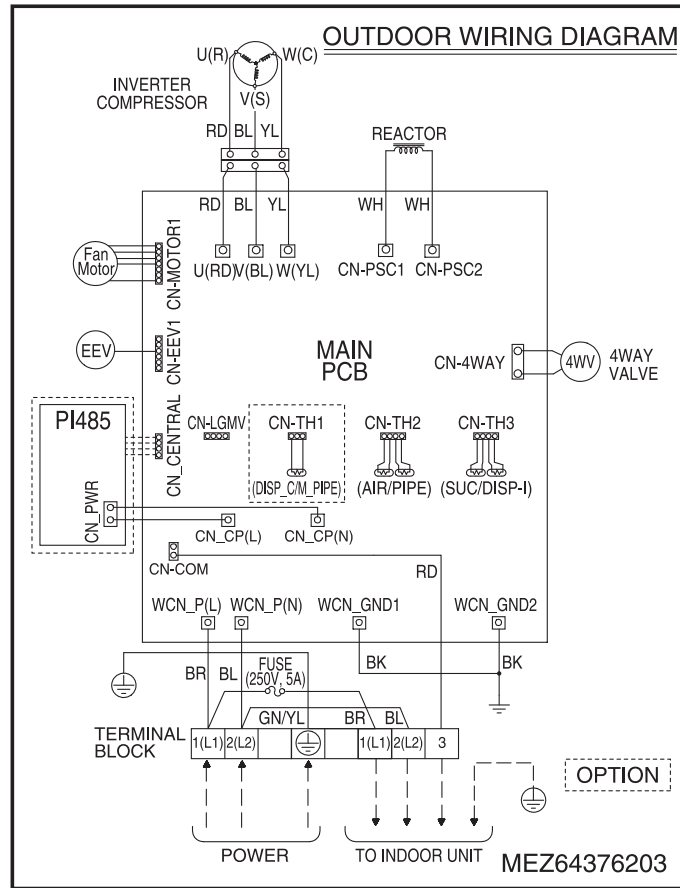
※ EEV : Electronic Expansion Valve

3. Wiring Diagrams

Indoor Unit

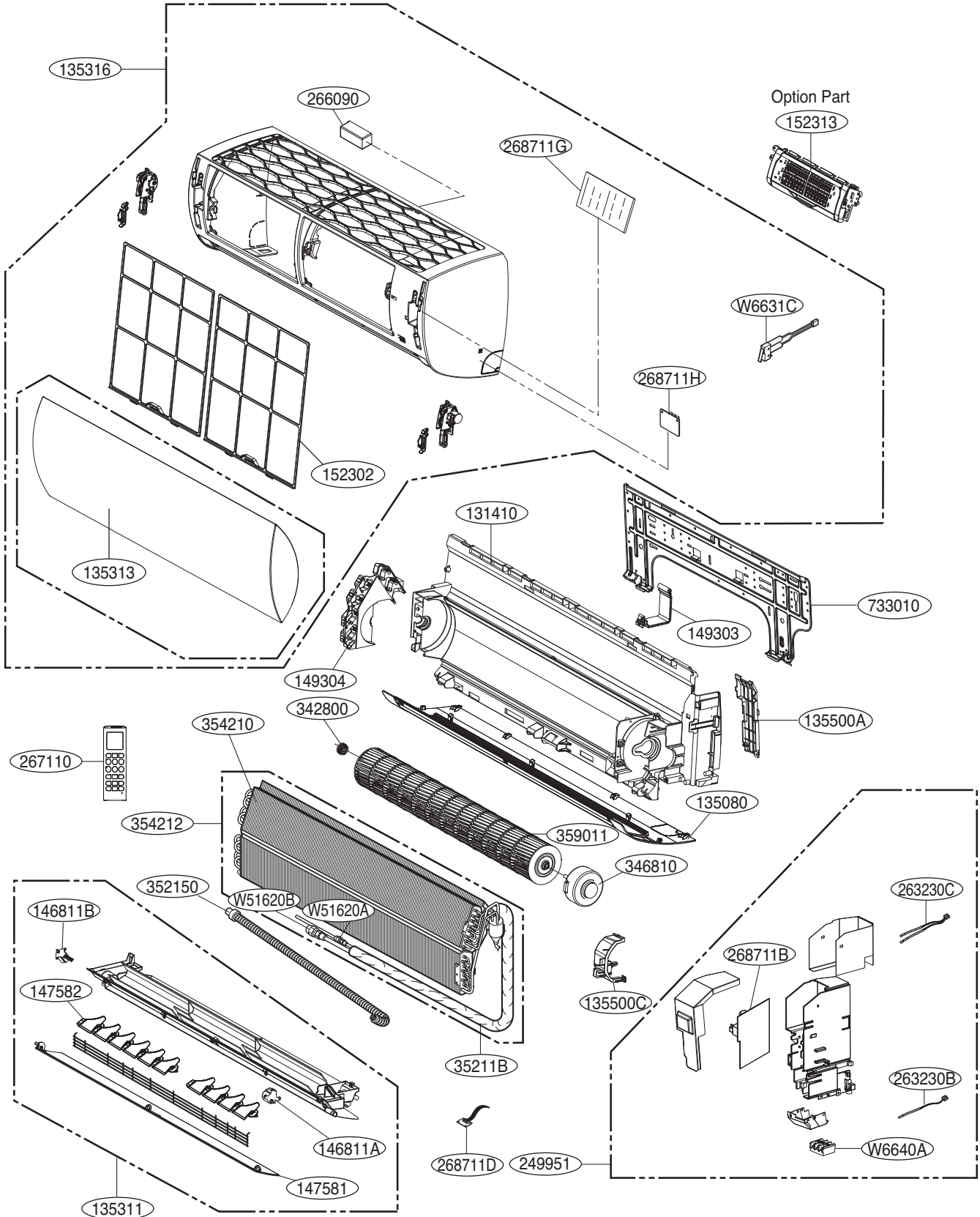


Outdoor Unit

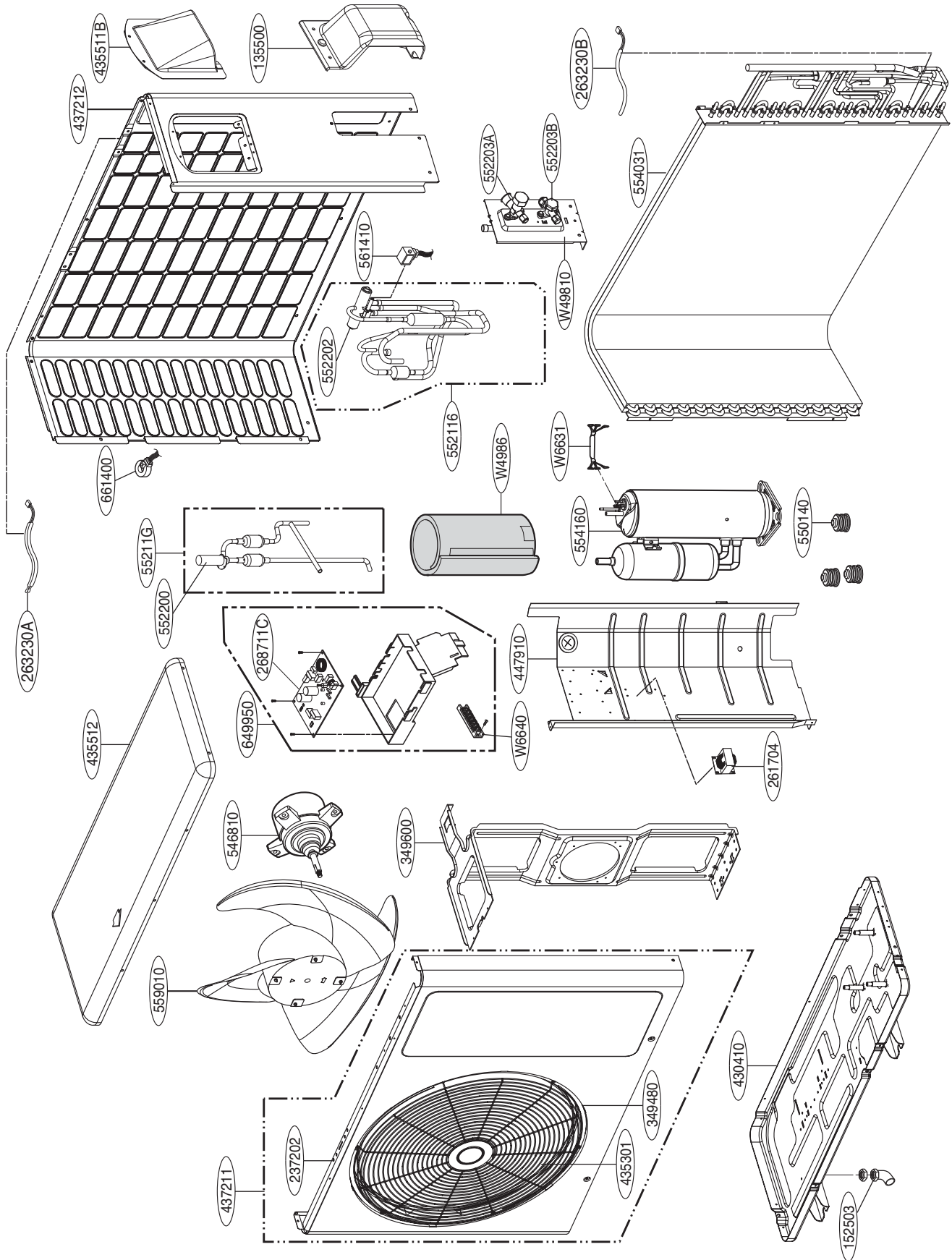


Exploded View

Indoor Unit



Outdoor Unit





P/NO : MFL67501901

FEB. 2012