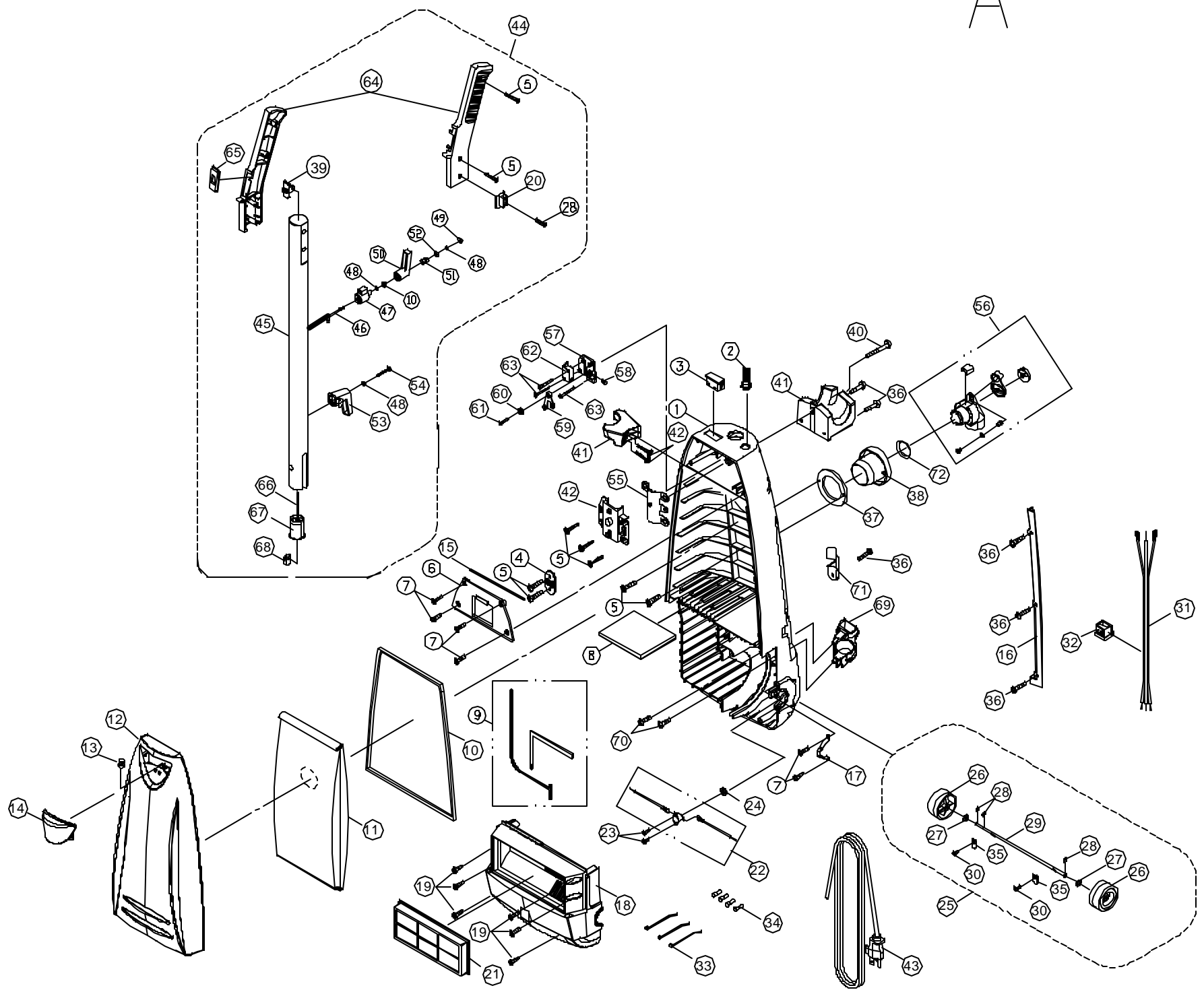
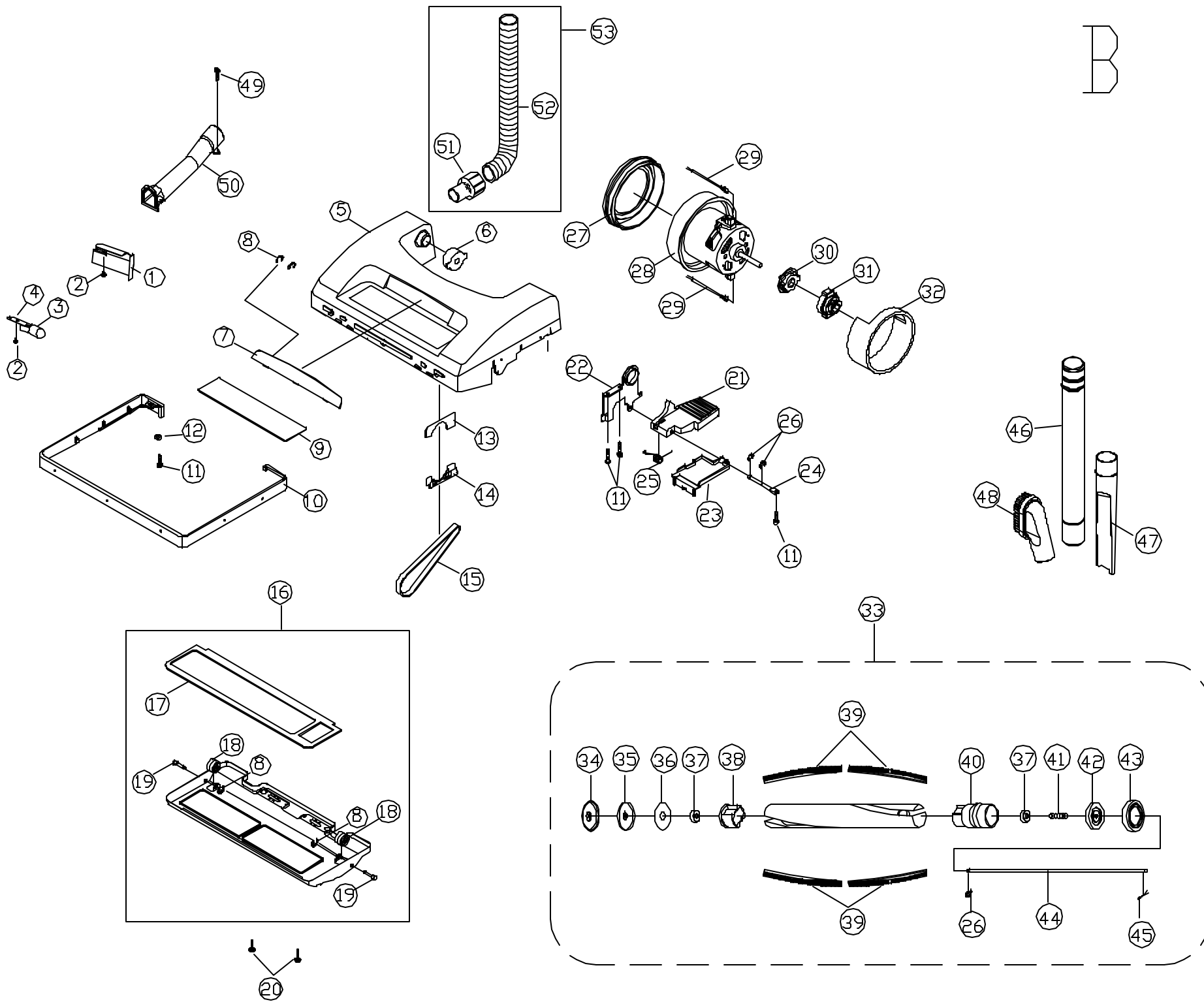


A



KEY	PART NO	DESCRIPTION	KEY	PART NO	DESCRIPTION
1	54.121	Dust Compartment	37	Z19	Swivel Inlet Gasket
2	B236-0114	Boot Strain Relief	38	54.138	Paper Bag Inlet
3	53.006	Cover Plate	39	B428-0331	Switch Knob
4	B332-0014	Cord Holder	40	A232-0200	Handle Screw
5	53.059	Screw	41	54.140	Hose Hanger
6	54.131	Inner Switch Cover	42	B333-0513	Wiring Support
7	A732-4500	Screw	43	14.040	Power Cord Black
8	06.611	Secondary Filter	44	18.107	Handle Assembly Complete
9	84.103	Motor Cover Seal Set	45	B431-1400	Handle Tube
10	54.134	Dust Compartment Seal	46	A732-4200	L-Bolt
11	06.181	Paper Bag (6pk)	47	B430-0414	Cord Hook Holder
12	53.060	Dust Cover	48	A732-3900	Lock Washer
13	54.123	Latch Spring	49	A732-4300	L Bolt Nut
14	54.124	Dust Cover Release Handle	50	54.019	Upper Cord Hook
15	54.128	Seal for Inner Switch Cover	51	B430-0200	Cord Hook Spring
16	54.129	Wire Harness Cover	52	A430-0405	Washer
17	54.130	Support Strap	53	54.018	Lower Cord Hook
18	53.065	Motor Cover	54	A732-5000	Screw
19	A732-8314	Screw	55	B324-0400	Handle Fitting
20	L06	Powr Cord Holder	56	C625-0131	Suction Inlet Complete
21	06.729	HEPA Filter	57	54.066	Switch Mounting Plate
22	B333-0400	Teperature Switch w/Wires	58	A719-0100	Switch Activator Spring
23	A732-0700	Screw	59	B328-0522	Switch Activator
24	B333-0600	Temperatrue Switch Seal	60	B332-0130	Washer
25	54.127	Rear Wheel Assembly	61	A732-0600	Screw
26	B210-0531	Rear Wheel	62	B328-0400	Main Switch
27	A732-6500	Washer	63	A732-7500	Screw
28	A732-0300	E-Ring	64	18.106	Handle Grip Set
29	54.135	Rear Wheel Shaft	65	C56BW	Switch Window
30	A732-8500	Rear Wheel Axle Screw	66	B431-1500	Handle Lever Rod
31	B224-0314B	Motor Cord	67	B431-1214	Lever Holder
32	A732-4114	Wire Bushing	68	B431-1314	Lever Knob
33	A732-0100	Zip Tie	69	54.139	On-Board Tool Holder
34	B123-0100	Wire Connector	70	A430-0700	Screw
35	54.136	Rear Axle Washer	71	54.137	Hose Clip
36	A732-7705	Screw	72	Z12	Suction Inlet Seal

B



KEY	PART NO	DESCRIPTION	KEY	PART NO	DESCRIPTION
1	A28	Reflector Plate	27	54.047	Motor Mount
2	A732-5300	Screw	28	20.063	Motor
3	B018-1000	Bulb Socket	29	54.149	Temperature Wire
4	A018-0600	Ligh Bulb-Slimline	30	54.150	Motor Mount
5	53.068	Nozzle Housing	31	B123-1300	Pivot Sleeve
6	B017-0214	Plastic Bushing	32	B123-1900	Sound Suppressor
7	N19CL	Clear Lens	33	10.130	Pinned Brush Rool Assembly Complete
8	A732-4000	Lens Clip	34	B012-0214	Rubber End Cover (Left)
9	53.071	Topper Mark	35	B012-0700	Left Cover
10	54.015	Furniture Guard	36	B012-0600	Felt Cover
11	A732-8314	Screw	37	08.008	Bearing
12	A430-0405	Washer	38	B08S	Agitator Bearing Holder
13	A09	Felt Packing	39	10.133	Agitator Brush
14	B017-1200	Vented Support Fitting	40	B07S	Agitator Pulley
15	09.104	Belt	41	B624-0100	Spacing Spring
16	54.006	Bottom Plate Assembly	42	B012-0800	Right Cover
17	B021-0200	Packing Lower Plate Assembly	43	B012-0114	Rubber End Cover (Right)
18	B010-1014	Base Plate Wheel	44	B012-1000	Agitator Shaft
19	B010-0500	Base Plate Wheel Pin	45	A732-0400	Spring Clip
20	A732-2000	Bottom Plate Set Screw	46	26.159	Extension Wand Set
21	54.016	Foot Pedal Release	47	54.153	Crevice Tool
22	B020-0100B	Pedal Frame	48	54.152	Round Bursh (Natural Bristles)
23	54.041	Belt Cover	49	A732-2500	Screw
24	B020-0300	Pedal Frame Shaft	50	Z06R	Nozzle Inlet Tube
25	B020-0400	Pedal Spring	51	53.170	Hose Cuff
26	A732-0200	E-Ring	52	53.070	Stretch Hose Only
			53	53.074	Hose Assembly