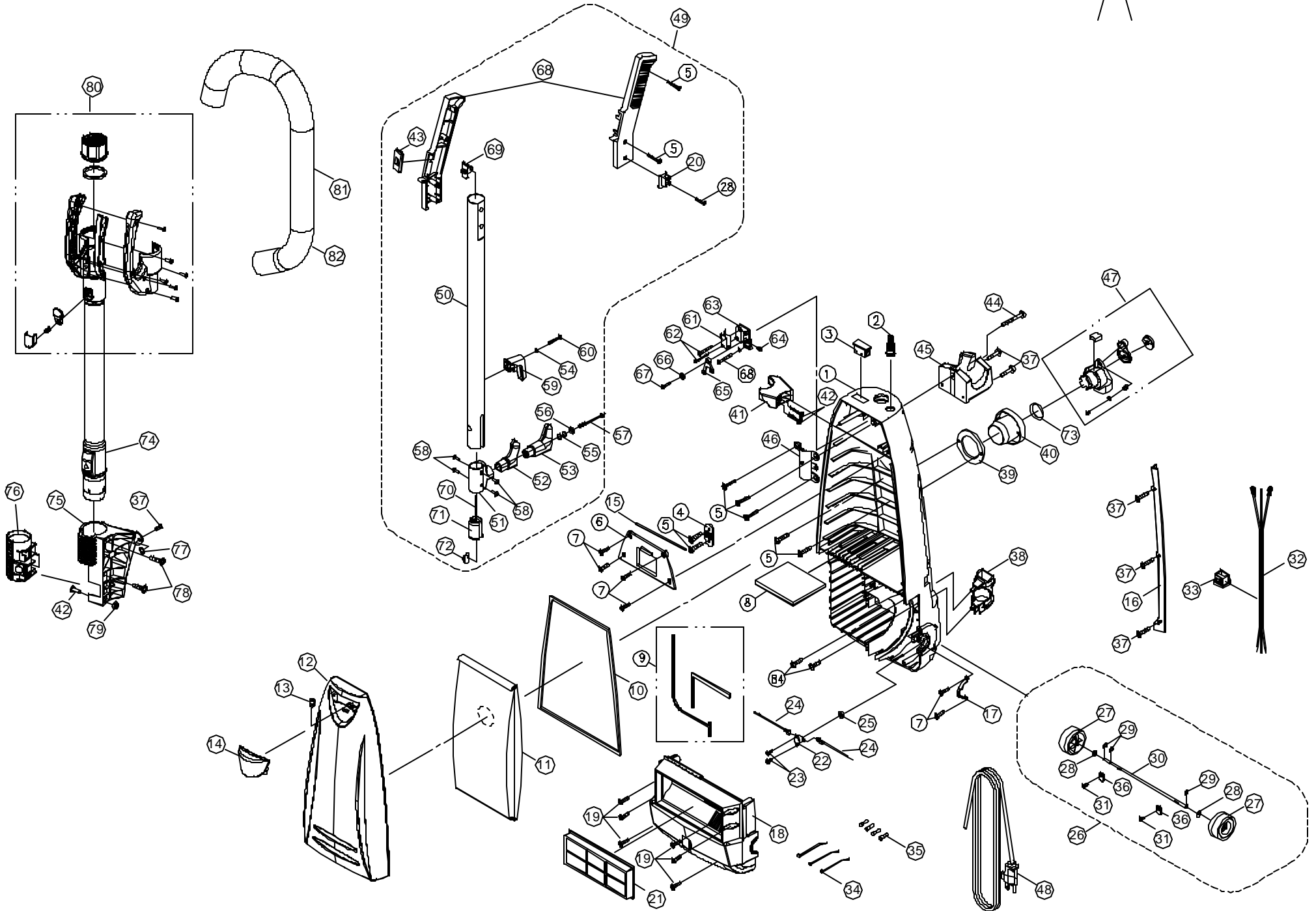
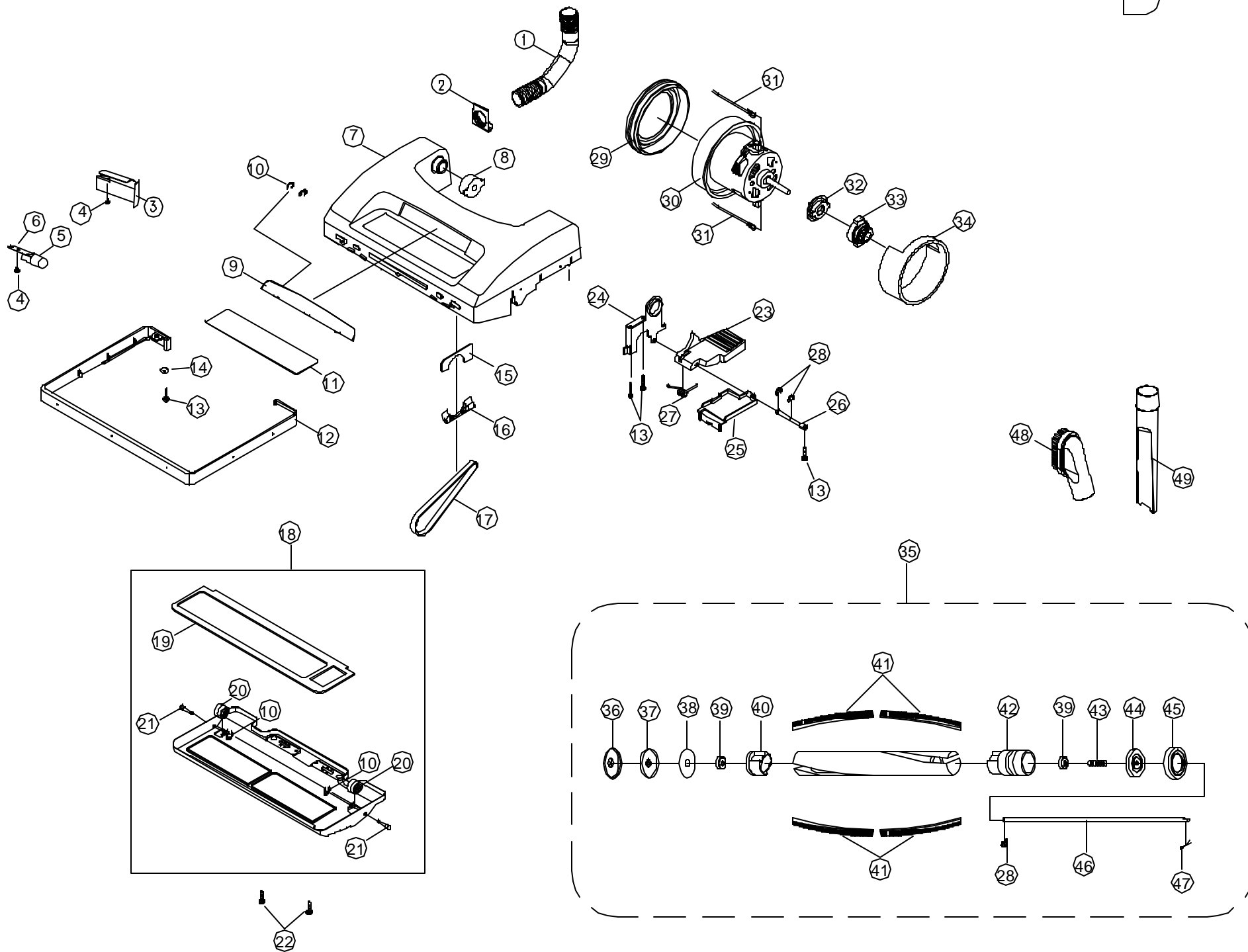


A



KEY	PART NO	DESCRIPTION	KEY	PART NO	DESCRIPTION
1	54.121	Dust Compartment	42	A430-0700	Screw
2	B236-0114	Boot Strain Relief	43	C56-BW	Switch Window
3	53.006	Filler Cover	44	A232-0100	Handle Screw
4	B332-0014	Cord Holder	45	54.140	Hose Hanger
5	53.059	Screw	46	B324-0400	Handle Fitting
6	54.131	Inner Switch Cover	47	C625-0131	Suction Inlet Complete
7	A732-4500	Screw	48	14.040	Power Cord
8	06.611	Secondary Filter	49	53.175	Handle Assembly Complete
9	84.103	Motor Cover Seal Kit	50	18.110	Handle Tube
10	54.134	Dust Compartment Seal	51	53.176	Cord Hook Base
11	06.181	Paper Bag	52	53.177	Hose Hook
12	53.060	Dust Cover	53	53.178	Cord Hook
13	54.123	Latch Spring	54	A732-3900	Washer
14	54.124	Dust Cover Release Handle	55	53.179	Spring
15	54.128	Seal For Inner Switch Cover	56	53.180	Washer
16	54.129	Wire Harness Cover	57	53.181	Cord Hook Screw
17	54.130	Support Strap	58	53.182	Rivet
18	53.065	Motor Cover	59	54.018	Lower Cord Hook
19	A732-8314	Screw	60	A732-5000	Screw
20	L06	Power Cord Holder	61	53.067	Main Switch
21	06.729	HEPA Filter	62	A732-7500	Screw
22	54.049	Temperature Switch	63	53.066	Switch Mounting Plate
23	A732-0700	Screw	64	A719-0100	Switch Activator Spring
24	54.149	Temperature Wire	65	53.008	Switch Activator
25	B333-0600	Temperature Switch Seal	66	B332-0130	Washer
26	54.127	Rear Wheel Assembly	67	A732-0600	Screw
27	B210-0531	Rear Wheel	68	18.106	Handle Set
28	54.024	Washer	69	53.017	Switch Knob
29	A732-0300	E-Ring	70	B431-1500	Handle Lever Rod
30	54.135	Rear Wheel Shaft	71	B431-1214	Lever Holder
31	A732-8500	Screw	72	B431-1314	Lever Knob
32	B224-0314B	Motor Cord	73	Z12	Suction Inlet Seal
33	A732-4114	Wire Bushing	74	53.157	Quick-Draw Wand Assembly
34	A732-0100	Zip Tie	75	53.153	Quick-Draw Attachment Holder
35	B123-0100	Wire Connector	76	53.155	Quick-Draw Clean Out Cuff
36	54.136	Axle Clamp	77	53.168	Washer
37	A732-7705	Screw	78	A732-1700	Screw
38	53.152	On-Board Tools Holder	79	A732-7605	Nut
39	Z19	Swivel Inlet Gasket	80	53.151	Handle Grip Assembly
40	89.855	Paper Bag Inlet	81	53.161	Nozzle Stretch Hose Only
41	53.148	Upper Wand Holder	82	53.158	Stretch Hose With Grip

B



KEY	PART NO	DESCRIPTION	KEY	PART NO	DESCRIPTION
1	53.163	Nozzle Hose	26	B020-0300	Pedal Frame Shaft
2	A07	Hose Fitting	27	B020-0400	Pedal Spring
3	A28	Reflector Plate	28	A732-0200	E-Clip 4mm
4	A732-5300	Screw	29	54.047	Motor Mount
5	B018-1000	Bulb Socket	30	20.063	Motor
6	A018-0600	Light Bulb	31	54.149	Temperature Wire
7	53.068	Nozzle Housing	32	54.150	Motor Mount
8	84.200	Plastic Bushing	33	B123-1300	Pivot Sleeve
9	N19CL	Clear Lens	34	B123-1900	Sound Suppressor
10	54.145	CS Ring	35	10.130	Pinned Bursh Roll Assembly Complete
11	53.071	Topper Mark	36	B012-0214	Rubber End Cover (Left)
12	54.015	Furniture Guard	37	B012-0700	Left Cover
13	A732-8314	Screw	38	B012-0600	Felt Cover
14	A430-0405	Washer	39	08.008	Bearing
15	A09	Felt Packing	40	B08S	Agitator Bearing Holder
16	B017-1200	Vented Support Fitting	41	10.133	Agitator Brush
17	09.104	Belt	42	B07S	Agitator Pulley
18	54.006	Bottom Plate Assembly	43	B624-0100	Spacing Spring
19	B021-0200	Packing Lower Plate Assembly	44	B012-0800	Right Cover
20	B010-0413	Base Plate Wheel	45	B012-0114	Rubber End Cover (Right)
21	B010-0500	Base Plate Wheel Pin	46	B012-1000	Agitator Shaft
22	A732-2000	Bottom Plate Screw	47	A732-0400	Spring Clip
23	54.016	Foot Pedal Release	48	54.152	Round Bursh Upholstery
24	54.147	Pedal Frame	49	54.153	Crevice Tool
25	54.041	Belt Cover			