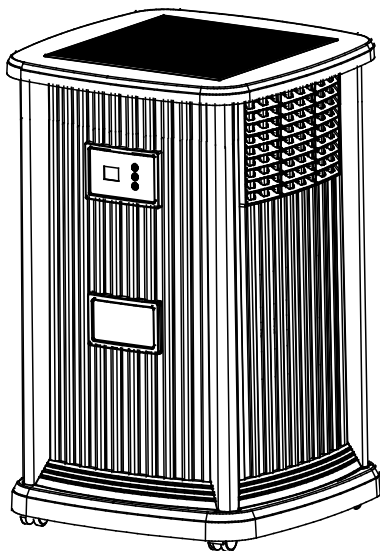


AIRCARE®

PEDESTAL EVAPORATIVE HUMIDIFIER

EP9 SERIES USE AND CARE GUIDE

- ▶ Adjustable Humidistat
- ▶ Variable Speed Fan
- ▶ Easy Front Fill



EP9(R) 800; EP9(R) 500

Français13
Español25



TO ORDER PARTS AND ACCESSORIES CALL 1.800.547.3888

COMFORT IS IN THE AIR

IMPORTANT SAFEGUARDS

GENERAL SAFETY INSTRUCTIONS

READ BEFORE USING YOUR HUMIDIFIER

DANGER: means if the safety information is not followed someone will be seriously injured or killed.

WARNING: means if the safety information is not followed someone could be seriously injured or killed.

CAUTION: means if the safety information is not followed someone may be injured.

1. To reduce the risk of fire or shock hazard, this humidifier has a polarized plug (one blade is wider than the other.) Plug humidifier directly into a 120V, A.C. electrical outlet. Do not use extension cords. If the plug does not fully fit into the outlet, reverse plug. If it still does not fit, contact a qualified electrician to install the proper outlet. Do not change the plug in any way.
2. Keep the electric cord out of traffic areas. To reduce the risk of fire hazard, never put the electric cord under rugs, near heat registers, radiators, stoves or heaters.
3. Always unplug the unit before moving, cleaning or removing the fan assembly section from the humidifier, or whenever it is not in service..
4. Keep the humidifier clean. To reduce the risk of injury, fire or damage to humidifier, use only cleaners specifically recommended for humidifiers. Never use flammable, combustible or poisonous materials to clean your humidifier
5. To reduce the risk of scalds and damage to humidifier, never put hot water in humidifier.
6. Do not put foreign objects inside the humidifier.
7. Do not allow unit to be used as a toy. Close attention is necessary when used by or near children.
8. To reduce the risk of electrical hazard or damage to humidifier, do not tilt, jolt or tip humidifier while unit is running.
9. To reduce the risk of accidental electrical shock, do not touch the cord or controls with wet hands.
10. To reduce the risk of fire, do not use near an open flame such as a candle or other flame source.

WARNING: For your own safety, do not use humidifier if any parts are damaged or missing.

WARNING: To reduce risk of fire, electric shock, or injury always unplug before servicing or cleaning.

WARNING: To reduce the risk of fire or shock hazard, do not pour or spill water into control or motor area. If controls get wet, let them dry completely and have unit checked by authorized service personnel before plugging in.

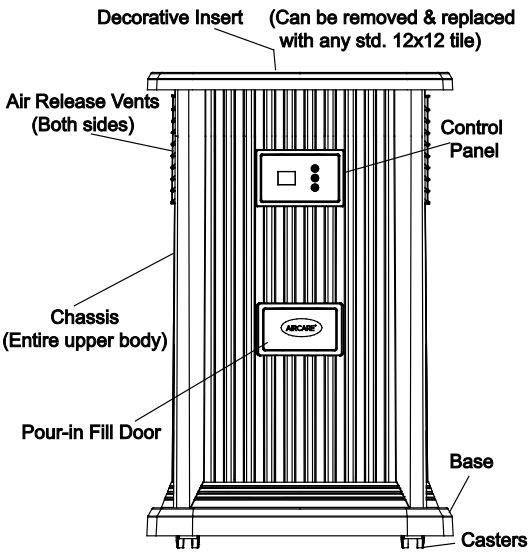
CAUTION: If a plant is placed on the pedestal, ensure unit is unplugged when watering the plant. Ensure no water is poured onto the control panel when watering the plant. If water enters the electronic control panel, damage may result. Ensure control panel is entirely dry before use.

INTRODUCTION

Your new humidifier adds invisible moisture to your home by moving dry inlet air through a saturated wick. As air moves through the wick, the water evaporates into the air, leaving behind any white dust, minerals, or dissolved and suspended solids in the wick. Because the water is evaporated, there is just clean and invisible moist air.

As the evaporative wick traps accumulated minerals from the water, its ability to absorb and evaporate water decreases. We recommend changing the wick at the beginning of every season. In hard water areas, more frequent replacement may be necessary to maintain your humidifier's efficiency.

Use only AIRCARE® /Essick Air® brand replacement wicks and chemicals. To order parts, wicks and chemicals call 1-800-547-3888. The EP Series humidifiers use wick #1043. Only the AIRCARE® or Essick Air® evaporative wick guarantees the certified output of your humidifier. Use of other brands of wicks voids the certification of output and may void your warranty.



KNOW YOUR HUMIDIFIER

Description	EP9 Series / EP9R†
*Output per 24 hrs	Up to 9 gallons
Capacity of Unit	3.5 gallons
Sq. ft. coverage	Avg.constr. 2800
	Tight const.2800
Fan Speeds	Variable (9)
Replacement Wick	No. 1043
Automatic Humidistat	Yes
Controls	Digital († w/ Remote)
ETL Listed	Yes
Volts	120
Hertz	60
Watts	70

HOW YOUR HUMIDIFIER WORKS

Once the wick becomes saturated, air is drawn in, passes through the wick and moisture is absorbed into the air.

All evaporation occurs in the humidifier so any residue remains in the wick. This natural process of evaporation creates no white dust like some other humidifiers.

Dry air is drawn into the humidifier through the back and moisturized as it passes through the evaporative wick. It is then fanned out into the room.

IMPORTANT:

Water damage may result if condensation starts to form on windows or walls. Humidity SET point should be lowered until condensation no longer forms. We recommend room humidity levels do not exceed 50%.

* Output based on 8' ceiling. Coverage may vary due to tight or average construction.

NOTES ON LOCATION:

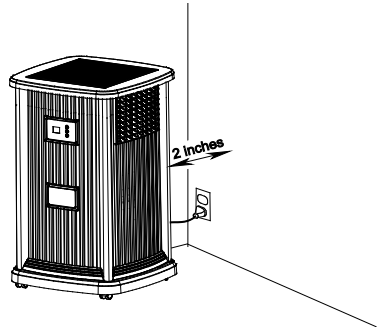
In order to get the most effective use from your humidifier, it is important to position the unit where the most humidity is needed or where the moist air will be circulated throughout the house such as near a cold air return. If the unit is positioned close to a window, condensation may form on the window pane. If this occurs the unit should be repositioned in another location.

Place humidifier on a flat level surface. Do NOT position the unit directly in front of a hot air duct or radiator. Do NOT place on soft carpet. Due to release of cool, moist air from the humidifier, it is best to direct air away from thermostat and hot air registers. Position humidifier next to an inside wall on a level place at least 2 inches away from the wall or curtains.

Be sure that the humidistat, which is located on the power cord, is free from obstruction and away from any hot air source.

Locate nearest 120V A.C. wall socket in the location desired, preferably on inside wall. With the humidifier in the desired location, route the electrical cord safely so no one will trip or upset the humidifier. Plug unit in.

After the humidifier is positioned where it will be operating you are ready to fill the humidifier.



ASSEMBLY

1) Unpack humidifier from carton. Remove all packaging materials.

CASTERS

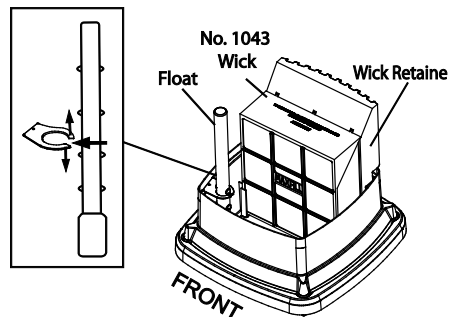
- 2) Lift chassis off of base and set aside. Remove the parts bag, wick/ wick retainer and float from base.
- 3) Turn the empty base upside down. Insert each caster stem into a caster hole on each corner of the humidifier bottom. The casters should fit snugly and be inserted until the stem shoulder reaches the cabinet surface. Turn the base right side up.

FLOAT

- 4) Install float by separating the two flexible halves of retainer clip, inserting the float into the clip and securing it into the base.

EVAPORATIVE WICK

- 5) Ensure the 1043 Superwick is installed in the two-part wick retainer base in the base of the humidifier
- 6) Position the chassis over the base frame and press it onto the base firmly until it is in place.



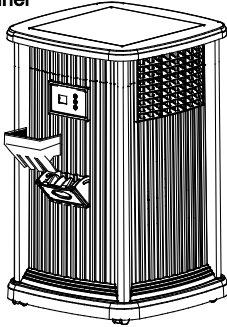
CAUTION: Ensure the chassis is placed on the base with the float facing forward to prevent damage to components.

WATER FILL

CAUTION: Before filling, ensure unit is turned OFF and unplugged

- 7) Open the fill door on the front of the unit. Insert funnel into the open fill door. Using a pitcher, carefully pour water to the MAX FILL level on the wick frame.

Insert funnel
into open
fill door



NOTE: On initial fill up, it will take approximately 20 minutes for the unit to become ready for operation, since the wick must become saturated. Subsequent fillings will take approximately 12 minutes, since the wick is already saturated.

NOTE: We recommend using AIRCARE® or Essick Air® Bacteriostat Treatment when you refill the water reservoir to eliminate bacterial growth. Add bacteriostat according to the instructions on the bottle.

- 8) After the filling process is complete, and the wick is saturated, the unit is ready for use.

ABOUT HUMIDITY

Where you set your desired humidity levels depends on your personal comfort level, the outside temperature and the inside temperature.

NOTE: Recent CDC tests show that only 14% of flu virus particles could infect people after 15 minutes at levels of 43% humidity.

You may wish to purchase a hygrometer to measure the humidity level in your home. The following is a chart of recommended humidity settings.

IMPORTANT: Water damage may result if condensation starts to form on windows or walls. Humidity SET point should be lowered until condensation no longer forms. We recommend room humidity levels do not exceed 50%.

When Outdoor Temperature is:		Recommended Indoor Relative Humidity (RH) is
°F	°C	
-20	-30°	15 - 20%
-10°	-24°	20 - 25%
2°	-18°	25 - 30%
10°	-12°	30 - 35%
20°	-6°	35 - 40%
30°	-1°	40 - 43%

OPERATION

Plug cord into wall receptacle. Your humidifier is now ready for use. The humidifier should be placed at least TWO inches away from any walls and away from heat registers. Unrestricted airflow into the unit will result in the best efficiency and performance.

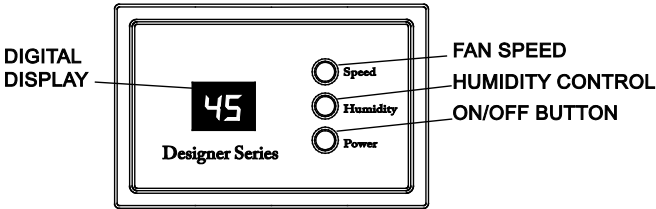
NOTE: This unit has an automatic humidistat located in the control that senses the humidity level around the immediate area of the humidifier. It turns the humidifier on when the relative humidity in your home is below the humidistat setting and will turn the humidifier off when the relative humidity reaches the humidistat setting.

CONTROL PANEL

This unit has a digital control panel that allows you to adjust fan speed and humidity level, as well as view information on the status of the unit. The display will also indicate if the optional Remote Control is in use at the time. Remote is included with models EP9R 500 and EP9R 800, or can be purchased separately and used with any EP9 series unit. See parts list at back to order part number 1999 .

CAUTION: If a plant is placed on the pedestal, ensure no water is poured onto the control panel when watering the plant. If water enters the electronic control panel, damage may result. If controls get wet, let them dry completely and have unit checked by authorized service personnel before plugging in.

- 1) The digital controller has a display that provides information on the status of the unit. Depending on which function is being accessed, it displays relative humidity, fan speed, set humidity and indicates when the unit is out of water.



FAN SPEED

2) The Speed button controls the variable speed motor. Nine speeds provide precise fan control. Press the power button and select fan speed: F1 through F9 proceeding from low to high speed. The initial default setting is high (F9). Adjust as desired.



3) The initial default setting is high (F9). Adjust as desired. The fan speed will display on the control panel as the speeds are stepped through.

NOTE: When excessive condensation exists, a lower fan speed setting is recommended.

HUMIDITY CONTROL

NOTE: Allow 10 to 15 minutes for the humidistat to adjust to the room when setting up the unit for the first time.

NOTE: The EP Series has an automatic humidistat located on the cord that measures the relative humidity in the room. When the selected humidity level drops 3% below the relative humidity, the humidifier cycles on and off as required to maintain the selected setting.



- 1) At initial startup the relative humidity of the room will be displayed. Each successive push of the Humidity Control Button will increase the setting in

Each successive push of the Humidity Control Button will increase the setting in 5% increments. At 65% set point, the unit will operate continuously.

OTHER FEATURES / INDICATIONS

- 4) This humidifier has a check filter reminder timed to appear after 720 hours of operation. When the Check Filter (CF) message is displayed, disconnect the power cord and check the condition of the filter. The CF function is reset after plugging the unit back in.
- 5) When the unit is out of water, a flashing F will display on the display panel.



AUTO DRYOUT

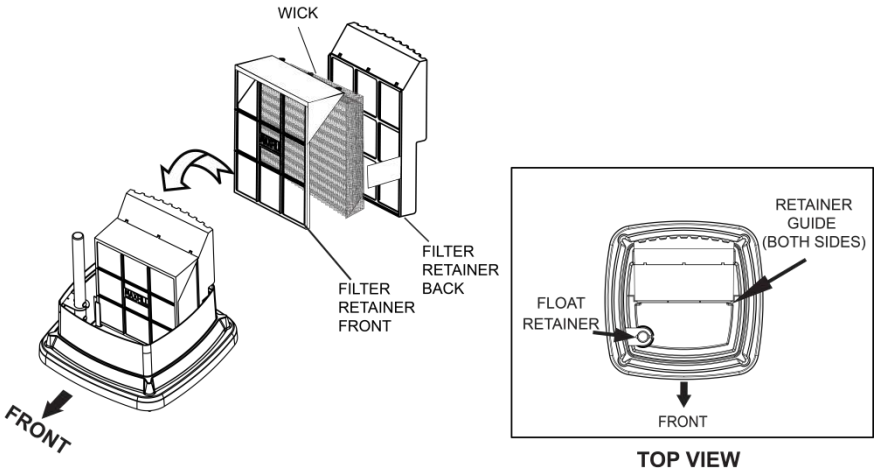
At this time the unit will automatically switch into **AUTO DRY OUT MODE** and continue to run on the lowest speed until the filter is completely dry. The fan will shut off leaving you with a dry humidifier that is less prone to mold and mildew.

If **AUTO DRY OUT MODE** is not desired, refill the humidifier with water and the fan will return to the set speed.

WICK REPLACEMENT

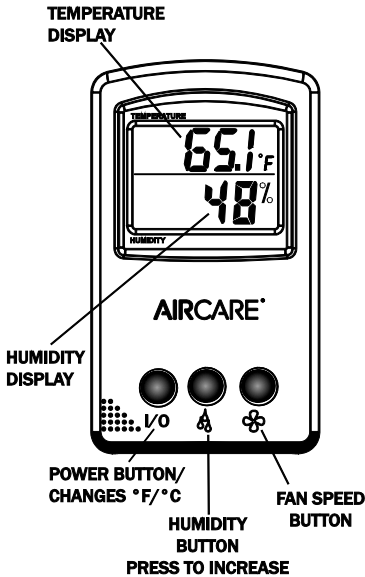
The EP9 / EP9R Series uses the 1043 Super Wick. Always use the original AIRCARE/ Essick brand wick to maintain your unit and maintain your warranty.

- 1) First, remove any items on top of the pedestal and remove the natural stone tile and place in a safe location.
- 2) Lift chassis up off the base to reveal the wick, wick retainer and float.
- 3) Remove the wick and retainer assembly. Separate the two-part wick retainer.
- 4) Remove the old wick, drain excess water and discard.
- 5) Place new 1043 wick into front side of the wick retainer and snap the larger, back section into place.
- 6) Then place the wick assembly into the base, aligning it with the built-in guides.
- 7) Replace the chassis on top of the base being careful to note the front of the unit and not damage the float when repositioning the chassis.



REMOTE CONTROL INSTRUCTIONS (EP9R Series)

If your unit has the remote control, or if you have purchased the remote control, Model 1999, you have the option of controlling your humidifier functions from a distance.



To Turn the Remote on:

With both the humidifier and remote control OFF, Press the I/O button on the remote control once. This turns the humidifier ON and enables the remote control to operate all the functions of the humidifier.

(The humidifier control panel will display EC, for External Control)

Press the respective humidity and Fan Speed buttons to adjust the settings on the remote, just as you would the actual humidifier.

The default setting for temperature readout is Fahrenheit (F). If you prefer degrees Celsius (C), press the I/O button one more time to use that unit of measure.

Pressing the I/O button one more time will turn both the Remote Control and the Humidifier OFF.

If the Humidifier is already on and operating when the I/O button on the remote is pressed, command of the humidifier transfers to the Remote, and reverts to the settings last used with the remote. You can readjust the settings as desired.

If the controls on the humidifier are used while the Remote Control is in command, control will revert to the humidifier, and the settings will revert to those last used on the humidifier control panel. The remote control will remain on until turned off.

USING THE REMOTE CONTROL

When the remote is in control, the display on the humidifier will read EC (for External Control).

- The humidity and speed buttons operate the same way as their counterparts on the unit.
- The fan speed and humidity setting will display on the control panel as you adjust them.
- The default measure for temperature is Fahrenheit (°F), but pressing the I/O button a second time will change to Celsius (°C)
- Periodically the remote performs a frequency check and will be unresponsive to input. Wait 5 seconds and try your input again.

CARE AND MAINTENANCE

Cleaning your humidifier regularly helps eliminate odors and bacterial and fungal growth. Ordinary household bleach is a good disinfectant and can be used to wipe out the humidifier base and bottle/reservoir after cleaning. We recommend cleaning your humidifier at least once every two weeks to maintain optimum environmental conditions for your home. **We also recommend using AIRCARE® or Essick Air® Bacteriostat Treatment each time you refill your humidifier to eliminate bacterial growth.** Add bacteriostat according to the instructions on the bottle. Please call 1-800-547-3888 to order Bacteriostat Treatment, part number1970.

- 1) Remove any items from the pedestal top. Remove decorative top insert and place in safe location. Turn off unit completely and unplug from outlet.
- 2) Lift off chassis and set aside.
- 3) Carry or roll base to cleaning basin. Lift wick and retainers from the base allowing the water to drain. Rinse wick under fresh water only. Do not use soap, detergent, or any other cleaners on the wick. Leave in sink to drain.

REMOVING SCALE

- 4) Pour out any remaining water from the reservoir. Fill reservoir with water and add 8 oz. (1 cup) of undiluted white vinegar. Let stand 20 minutes. The pour out solution.
- 5) Dampen a soft cloth with undiluted white vinegar and wipe out reservoir to remove scale. Rinse the water bottle and reservoir thoroughly with fresh water to remove scale and cleaning solution before disinfecting.

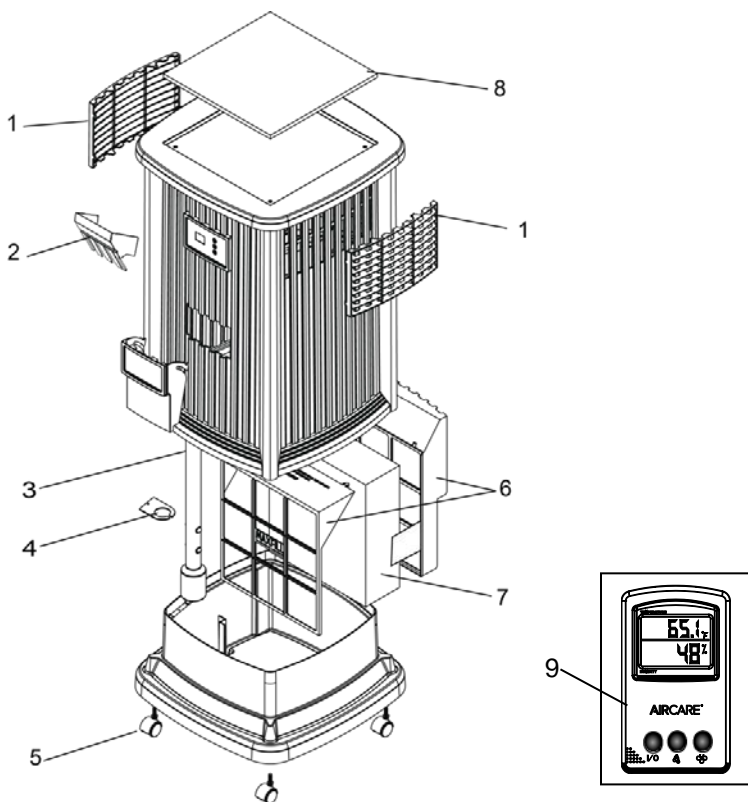
DISINFECTING UNIT

- 6) Fill the reservoir full with water and add 1 teaspoon of bleach. Let solution stay for 20 minutes, then rinse with water until bleach smell is gone. Dry interior surfaces with clean cloth. Wipe down the outside of the unit with a soft cloth dampened with fresh water.
- 7) Refill unit and reassemble per **ASSEMBLY** instructions.

SUMMER STORAGE

- 1) Clean unit as outlined in Care & Maintenance section.
- 2) Discard used wick and any water in the reservoir. Allow to dry thoroughly before storage. **Do not** store with water inside reservoir.
- 3) Do not store unit in an attic or other high-temperature area, as damage is probable.
- 4) Install new filter at beginning of season

REPAIR PARTS LIST



Replacement Parts Available For Purchase			
ITEM NO.	DESCRIPTION	Part Number	
		EP9(R) 500	EP9(R) 800
1	Deflector/Vent	1B71973	1B72714
2	Funnel	1B72282	1B72282
3	Float	1B71971	1B71971
4	Float Retainer	1B71972	1B72713
5	Casters (4)	1B5460070	1B5460070
6	Wick support assy.	1B72081	1B72081
7	Wick	1043	1043
8	12" x 12" x 3/8" Decorative insert	1B72726	1B72726
9	Remote Control †	7V1999	7V1999
--	Owner's Manual (Not pictured)	1B72671	1B72671

Parts and accessories may be ordered by calling 1-800-547-3888. Always order by part number, not item number. Please have model number of humidifier available when calling.

† Remote control is provided with the EP9R 500 and EP9R 800, but can be purchased separately and used on any model of the EP9 series.

TROUBLESHOOTING GUIDE

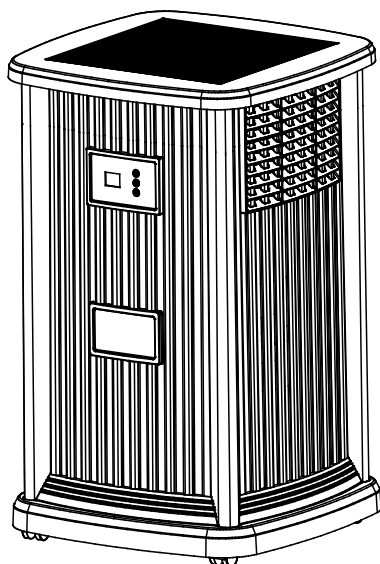
Trouble	Probable Cause	Remedy
Unit does not operate on any speed setting	No power to unit.	Ensure polarized plug is fully inserted in wall outlet.
	Unit has run out of water – fan will not operate without water is present.	Refill reservoir.
	Refill switch operation/improper positioning of float assy.	Ensure float assembly is correctly positioned as described in Water Fill, page 5.
Light remains on in chassis after unit has been turned off.	Fill light stays on and when power is supplied	Take unit to authorized service station. DO NOT ATTEMPT electrical repairs yourself.
	If unit has overheated, motor temp-sensing fuse may have tripped.	
Not enough humidity.	Wick is old and ineffective.	Replace wick when clogged or hardened with minerals.
	Humidistat is not set high enough	Increase humidity setting on control panel.
Too much humidity. (condensation becomes heavy on fold surfaces in room)	Humidistat is set too high.	Reduce humidistat setting or increase room temperature.
Water leak	Cabinet may have been overfilled. There is a safety overflow hole in rear of cabinet.	DO NOT OVERFILL cabinet. Correct water level is indicated inside of cabinet side wall.
Odor	Bacteria may be present.	Clean and disinfect cabinet following Care and Maintenance instructions. Add EPA registered Bacteria Treatment according to instructions on the bottle. It may be necessary to replace the wick if odor persists.

AIRCARE®

PIÉDESTAL HUMIDIFICATEUR À ÉVAPORATION

SÉRIE EA12 MANUEL D'UTILISATION ET D'ENTRETIEN

- ▶ Humidostat réglable
- ▶ Ventilateur à variable vitesses
- ▶ Avant remplissage facile



EP9(R) 800; EP9(R) 500

Anglais 1
Español 25

POUR COMMANDER DES PIÈCES ET DES ACCESSOIRES
APPELEZ LE 1.800.547.3888

LE CONFORT EST DANS L'AIR

INSTRUCTIONS GÉNÉRALES DE SÉCURITÉ

À LIRE AVANT D'UTILISER VOTRE HUMIDIFICATEUR

DANGER: Signifie que si les informations de sécurité ne sont pas suivies, des blessures graves ou fatales s'ensuivront.

AVERTISSEMENT: Signifie que si les informations de sécurité ne sont pas suivies, des blessures graves ou fatales pourraient survenir.

ATTENTION: Signifie que si les informations de sécurité ne sont pas suivies, des blessures pourraient survenir.

1. Afin de réduire le risque d'électrocution, cet humidificateur a une prise à deux têtes (l'une des fiches est plus large que l'autre). Brancher directement l'humidificateur dans une prise de courant alternatif 120 V. Ne pas utiliser de rallonges électriques. Si la prise ne rentre pas, la brancher en sens inverse. Si cela ne rentre toujours pas, contacter un électricien pour installer la prise murale adéquate. Ne pas modifier la prise.
2. Éloignez le cordon électrique d'une zone de passage. Pour diminuer le risque d'incendie, ne mettez jamais le cordon électrique sous un tapis, à proximité d'une bouche d'air, d'un radiateur, d'un four ou d'un appareil de chauffage.
3. Toujours débrancher l'humidificateur avant de le déplacer. Enlever le système de ventilation avant de nettoyer ou de faire réparer l'humidificateur.
4. L'humidificateur doit toujours rester propre.
5. N'introduisez pas de corps étrangers dans l'humidificateur.
6. Cet appareil n'est pas un jouet. Une surveillance est nécessaire si cet appareil est utilisé par ou près d'un enfant.
7. Pour réduire le risque d'électrocution ou d'endommagement de l'humidificateur, ne l'incline pas, ne le secouez pas et ne le faites pas basculer tant qu'il est en marche.
8. Pour réduire les risques d'endommagement, débranchez l'humidificateur lorsque vous ne vous en servez pas.
9. Pour réduire le risque de choc électrique accidentel, ne touchez pas le cordon ou les commandes avec les mains mouillées.
10. Pour réduire le risque d'incendie, ne l'utilisez pas près d'une flamme, comme une bougie ou autre source de flamme.

AVERTISSEMENT: Pour votre propre sécurité, n'utilisez pas l'humidificateur si des pièces sont endommagées ou manquantes.

AVERTISSEMENT : Pour réduire les risques d'incendie, de choc électrique ou de blessure, débranchez toujours avant de réparer ou de nettoyer.

ATTENTION: Si une plante est placée sur le piédestal, d'assurer l'unité est débranchée lors de l'arrosage de la plante. Assurez-vous pas d'eau est versée sur le panneau de contrôle lors de l'arrosage de la plante. Si l'eau pénètre dans le panneau de commande électronique, des dommages peuvent en résulter. Assurez-vous du panneau de commande est entièrement sec avant utilisation.

AVERTISSEMENT: Pour réduire le risque d'incendie ou de choc électrique, ne versez pas et ne renversez pas d'eau dans le secteur de commande ou moteur. Si les commandes sont mouillées, laissez-les sécher complètement et faites vérifier l'unité par le personnel de service autorisé avant de brancher.

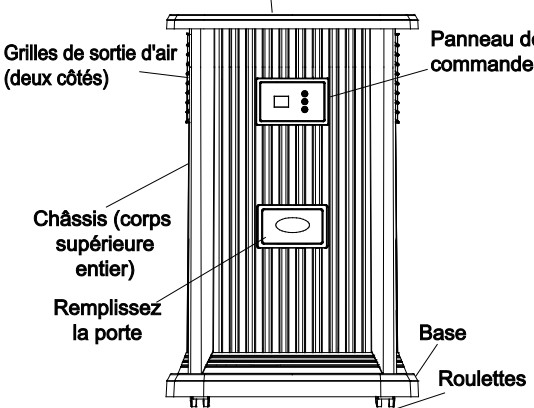
INTRODUCTION

Votre humidificateur par évaporation ajoute une humidité invisible dans la maison en faisant passer de l'air sec à travers un filtre à mèche saturé. Au fur et à mesure que l'air passe au travers du filtre à mèche, l'eau s'évapore dans l'air en laissant derrière elle toutes poussières blanches, minéraux et solides dissous ou en suspensio en mèches. Puisque l'eau est évaporée, il n'y a ni brume ni brouillard irritants, mais rien que de l'air humidifié, propre et invisible. Au fur et à mesure que le filtre à mèche d'évaporation emprisonne et accumule les minéraux contenus dans l'eau, sa capacité d'absorption et d'évaporation d'eau diminue. Nous recommandons de changer le filtre à mèche au début de chaque saison. Dans les régions où l'eau est dure, un remplacement plus fréquent peut être nécessaire afin de maintenir l'efficacité de votre humidificateur.

N'utilisez que les produits chimiques et les filtres à mèche de marque AIRCARE® ou Essick Air® en remplacement. Pour commander des pièces, filtres à mèche et produits chimiques, composez le 1-800-547-3888. L'humidificateur EP9 (R) series utilise mèche, sous la référence 1043. Seuls les filtres à mèche d'évaporation de marque AIRCARE® ou Essick Air® garantissent le meilleur rendement de votre humidificateur. L'utilisation de filtres à mèche autres que la marque AIRCARE® ou Essick Air® annule la garantie, la certification de rendement et peut réduire l'efficacité de votre humidificateur.

**Carrelage en pierre naturelle
(peut être enlevé et remplacé
par une norme de 12"x 12" tuile)**

COMMENT VOTRE HUMIDIFICATEUR FONCTIONNE



Une fois que la mèche est saturée, l'air est aspiré, passe par la mèche et l'humidité est absorbée dans l'air. Toute l'évaporation se produit dans l'humidificateur donc tous les résidus restent dans la mèche. Ce processus naturel d'évaporation ne crée pas de poussière blanche, comme certains autres humidificateurs.

L'air sec est aspiré dans l'humidificateur au dos et est hydraté au fur et à mesure qu'il traverse la mèche d'évaporation.

IMPORTANT : Des dégâts d'eau peuvent se produire si la condensation se forme sur les fenêtres ou les murs.

Le point de REGLAGE d'Humidité devrait être abaissé jusqu'à ce que la condensation ne se forme plus. Nous recommandons que les niveaux d'humidité ambiante ne doivent pas excéder 50%.

*Basé sur 8 'plafonds. La couverture peut varier en fonction de la construction serré ou moyenne.

Description	EP9 Série/†EP9R
*Débit par 24h	Jusqu'à 34L
Capacité totale	13,25 L
*Portée en m ²	206 m ² (construction moyenne) 186,8 m ² (contruction serré)
Vitesses du ventilateur	Variable (9)
Mèche de rechange	No. 1043
Humidostat ajustable	Oui
Commandes	Électroniques (avec télécommande)
ETL mentionnés	Oui
Volts	120
Hertz	60
Watts	70

REMARQUES SUR L'EMPLACEMENT:

Afin de tirer le meilleur parti de votre humidificateur, il est important de placer l'appareil à un endroit où le plus d'humidité est nécessaire ou là où l'air humide circulera dans toute la maison comme à proximité d'un retour d'air froid. Si l'appareil est placé près d'une fenêtre, de la condensation peut se former sur la vitre. Si cela se produit, il faut déplacer l'appareil. Ne placez PAS l'appareil directement devant une bouche d'air chaud ou un radiateur. NE le placez PAS sur de la moquette ou un tapis. Du fait que de l'air humide et frais est libéré de l'humidificateur, il est préférable de ne pas diriger l'air vers un thermostat ou des bouches d'air chaud. Placez l'humidificateur à côté d'un mur intérieur sur une surface plane à au moins 2.

ASSEMBLE

Retirez tous les matériaux d'emballage.

LES ROULETTES

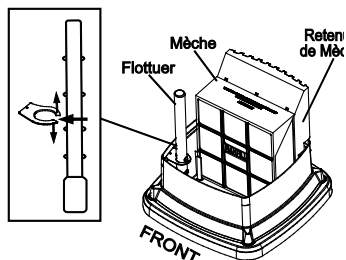
1. Soulevez le châssis de l'embase et mettez de côté.
2. Enlevez le flotteur et le dispositif de retenue mèche/mèche de l'embase. Retournez l'embase vide. Insérez chaque tige de roulette dans un trou de roulette à chaque coin du fond de l'humidificateur. Les roulettes doivent être bien ajustées et doivent être insérées jusqu'à ce que l'épaule de la tige atteigne la surface du cabinet. Retournez de nouveau l'embase à sa position de départ.

FLOTTEUR

3. Mettez le flotteur en place en écartant les deux moitiés souples du clip de retenue, en insérant le flotteur dans le clip et en le fixant sur la base.

FILTRE À MÈCHE ÉVAPORATION

4. Assurez-vous que la 1043 Superwick (Supermèche 1043) est installée dans l'embase de dispositif de retenue de mèche à deux parties dans l'embase de l'humidificateur
5. Placez le châssis sur le cadre de base et enfoncez-le sur l'embase fermement jusqu'à ce qu'il soit en place.
6. Assurez-vous que le châssis est posé sur l'embase avec le flotteur vers l'avant



RENSEIGNEMENTS SUR LE REMPLISSAGE

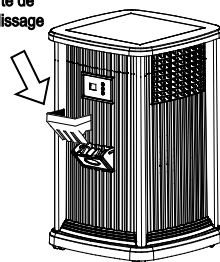
Ouvrir la porte de remplissage sur la face avant de l'appareil. Insérez l'entonnoir dans la porte ouverte de remplissage. L'utilisation d'un pichet, verser délicatement l'eau jusqu'au niveau MAX FILL indiquée sur l'élément de retenue de mèche.

NOTE : Lors du premier remplissage, il faudra environ 20 minutes pour l'unité pour être prêt pour l'opération, depuis la mèche doit devenir saturé. Les remplissages subséquents prendra environ 12 minutes, depuis la mèche est déjà saturé. Après que le processus de remplissage soit terminé, et que la mèche est saturée, l'appareil est prêt à l'emploi.

Branchez le cordon dans la prise murale. Votre humidificateur est maintenant prêt à l'emploi.

L'humidificateur ne devrait pas être à proximité de registres de chaleur. Placez l'appareil au moins à DEUX pouces de n'importe quel mur. La circulation d'air non restreinte dans l'unité se traduira par une meilleure efficacité et performance.

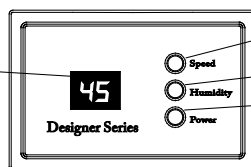
Insérez l'entonnoir dans la porte ouverte de remplissage



COMMANDES ET FONCTIONNEMENT

Cet appareil a un panneau de commande numérique qui vous permet d'ajuster la vitesse du ventilateur et le niveau d'humidité. Il vous permet aussi de visualiser des informations sur l'état de l'appareil.

AFFICHAGE NUMÉRIQUE



VITESSE DE VENTILATEUR
CONTRÔLE DE L'HUMIDITÉ
BOUTON MARCHE/ARRÊT

L'affichage indiquera également si la Télécommande facultative (EP9R serie uniminto) est utilisée au moment.

PRUDENCE : Si une plante est placée sur le piédestal, assurez-vous qu'il n'y a pas d'eau de versé sur le panneau de commande lors de l'arrosage de la plante. Si de l'eau pénètre dans le panneau de commande électronique, des dommages peuvent en résulter. Si les commandes sont mouillées, laissez-les sécher complètement et faites vérifier l'unité par le personnel de service autorisé avant de brancher.

1. Le contrôleur numérique dispose d'un écran qui fournit des informations sur l'état de l'appareil. Selon la fonction qui est accédée, il affiche l'humidité relative, la vitesse du ventilateur, l'humidité réglée et indique quand l'appareil n'a plus d'eau.

VITESSE DE VENTILATEUR

2. Le bouton Speed (Vitesse) contrôle le moteur à vitesse variable. Neuf vitesses offrent un contrôle précis du ventilateur. Appuyez sur le bouton marche/arrêt et sélectionnez la vitesse de ventilateur : F1 à F9 de la plus faible à la plus haute vitesse. La vitesse du ventilateur sera affichée sur le panneau de commande au fur et à mesure que les vitesses sont franchies.

NOTE : Lorsque de la condensation excessive est présente, un réglage de vitesse de ventilateur plus bas est recommandé.

CONTRÔLE DE L'HUMIDITÉ

NOTE: Laisser 10 à 15 minutes pour l'hygrostat pour ajuster à la marge de la première utilisation.

NOTE: Le série EP9/ EP9R a un humidostat automatique situé sur le cordon qui mesure l'humidité relative dans la chambre. Lorsque le niveau d'humidité sélectionné s'abaisse de 3% en dessous de l'humidité relative, l'humidificateur se met sous et hors cycles comme requis de façon à maintenir le réglage sélectionné.

3. Au démarrage initial, l'humidité relative de la salle sera affichée. Chaque appui successif du Bouton de Commande d'Humidité va augmenter le réglage par incréments de 5%. Au point de réglage 65%, l'appareil fonctionnera en continu.

AUTRES INDICATIONS

4. Cet humidificateur a un rappel de vérification de filtre qui apparaît après 720 heures de fonctionnement. Lorsque le message Check Filter (CF) (Vérifier Filtre) s'affiche, débranchez le cordon d'alimentation et vérifiez l'état du filtre. La fonction CF est réinitialisée après avoir rebranché l'appareil.

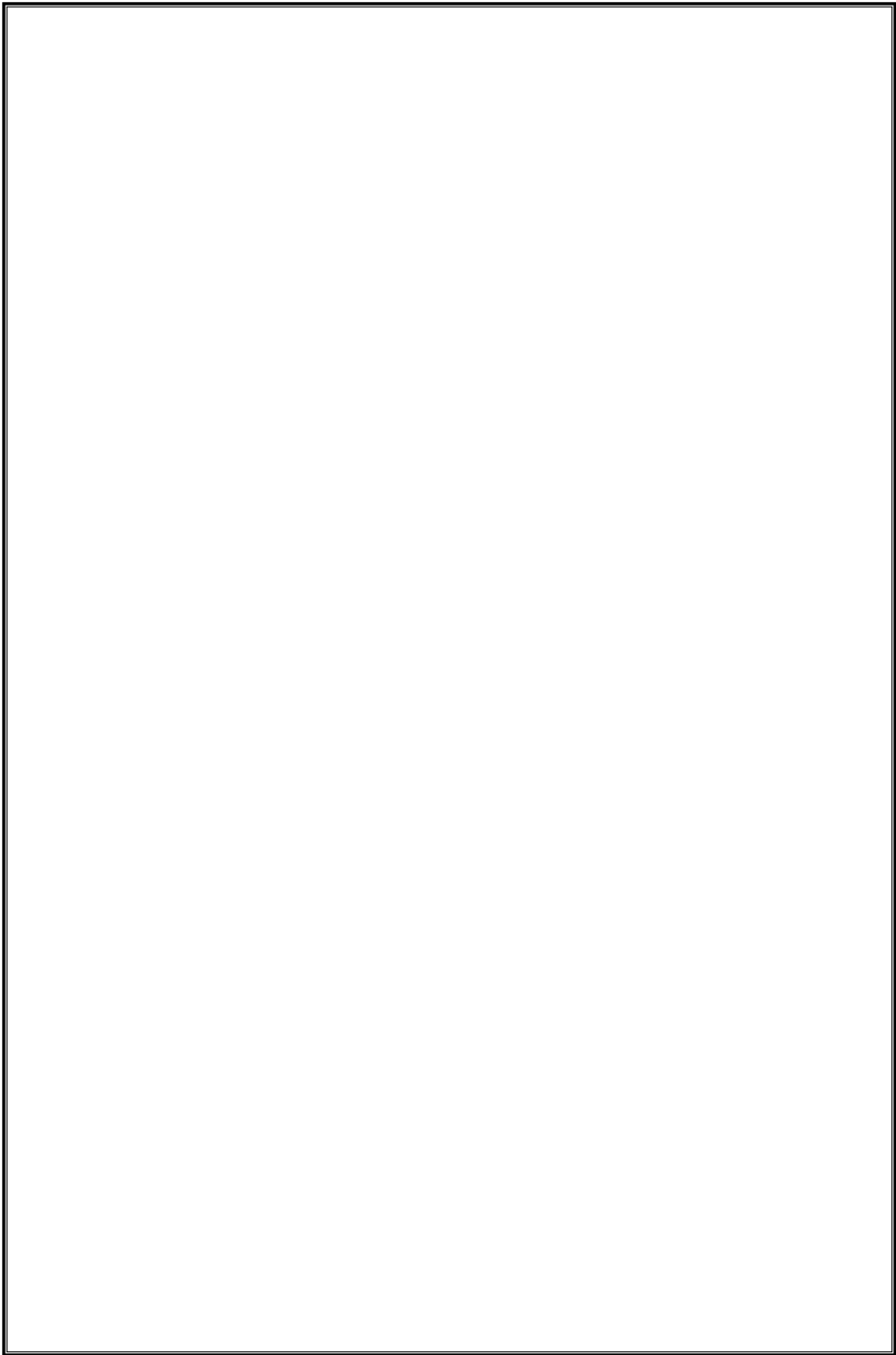
5. Lorsque l'appareil n'a plus d'eau, un F clignotant s'affiche sur le panneau d'affichage.

DESSÈCHEMENT MODE

À ce moment également, l'appareil passera automatiquement dans le mode de dessèchement et continuera à fonctionner à basse vitesse) pendant deux heures.

REMARQUE : pendant ce temps, le niveau d'humidité de la pièce continuera à être surveillé, et l'humidificateur lancera des cycles de mise en marche et d'arrêt du ventilateur jusqu'à ce que le filtre soit complètement sec. Le ventilateur s'arrêtera alors, laissant votre humidificateur sec et moins susceptible aux moisissures. Si vous ne voulez pas passer dans le mode de dessèchement, remplissez à nouveau l'humidificateur d'eau.

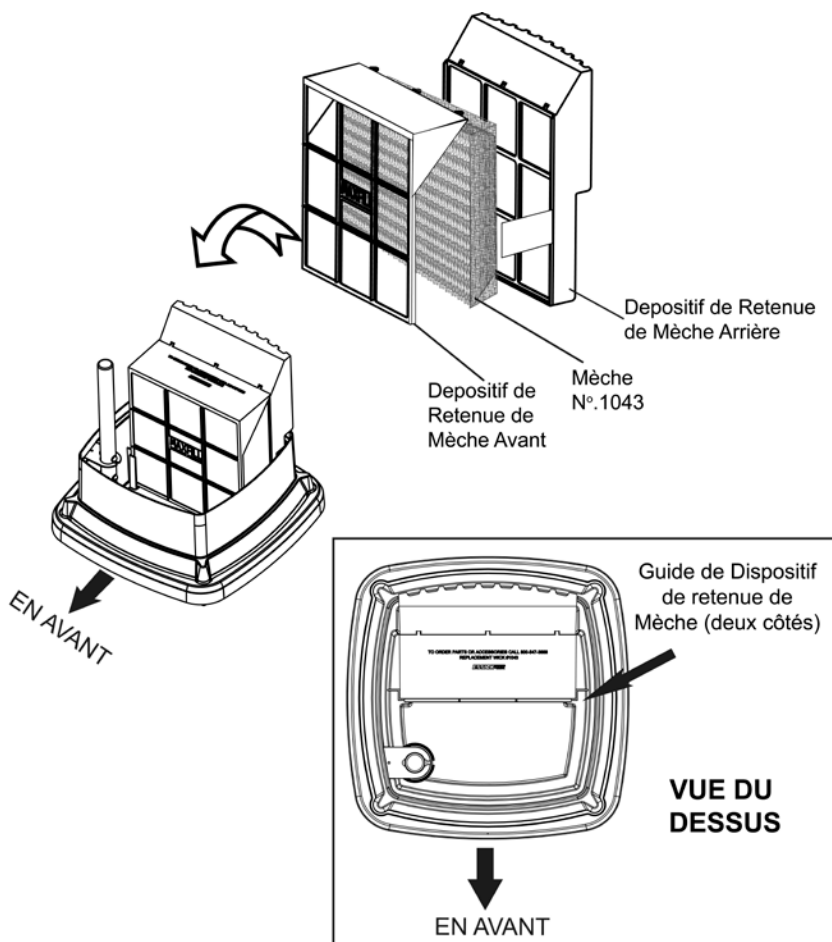




REEMPLACEMENT DE MÈCHE

Le EP9 (R) série utilise 1043 Super Wick (Super Mèche 1043). Utilisez toujours la mèche de marque Essick originale pour maintenir votre appareil et pour maintenir votre garantie.

1. Tout d'abord, supprimez n'importe quels éléments sur le dessus du piédestal et retirez le carreau en pierre naturelle et placez-le dans un endroit sûr.
2. Soulevez le châssis de l'embase pour révéler la mèche, le dispositif de retenue de mèche et le flotteur.
3. Retirez la mèche et l'assemblage de retenue. Séparez le dispositif de retenue de mèche en deux parties.
4. Retirez la vieille mèche, égouttez et jetez.
5. Placez la nouvelle mèche 1043 d' AIRCARE ou Essick dans le plus petit côté du dispositif de retenue de mèche et enclenchez la section arrière la plus grande en place.
6. Ensuite, placez l'ensemble dans l'embase, en l'alignant aux guides intégrés.



SOINS ET ENTRETIEN

ATTENTION : Débranchez l'alimentation avant de remplir, de nettoyer ou d'entretenir. Gardez toujours la grille au sec en tout temps.

Le nettoyage régulier de votre humidificateur aide à éliminer les odeurs et la croissance bactérienne et fongique. De l'eau de javel ordinaire est un bon désinfectant et peut être utilisé pour désinfecter l'embase de l'humidificateur après le nettoyage. Nous recommandons de nettoyer votre humidificateur au moins une fois toutes les deux semaines pour maintenir des conditions environnementales optimales pour votre maison.

Nous conseillons également d'utiliser le Traitement Bactériostatique d' AIRCARE ou Essick à chaque fois que vous remplissez votre humidificateur pour empêcher la croissance bactérienne. Ajouter du traitement bactériostatique selon les instructions sur la bouteille. Veuillez appeler le 1-800-547-3888 pour commander le Traitement Bactériostatique numéro de produit de référence 1970.

1. Retirez tous les objets du haut du piédestal. Enlevez le carreau de pierre naturelle et placez dans un endroit sûr. Éteignez l'unité complètement et débranchez de la prise.
2. Soulevez le châssis et mettez de côté.
3. Portez l'embase vers un évier. Soulevez la mèche et les dispositifs de retenue de l'embase permettant à l'eau de s'écouler. Rincez la mèche sous de l'eau douce uniquement. N'utilisez pas de savon, de détergent, ou tout autres produits de nettoyage sur la mèche. Laissez dans l'évier pour évacuer l'eau.

ENLEVEMENT DE DEPOTS

4. Videz l'eau de l'embase. Remplissez l'embase avec de l'eau et ajoutez 8 onces (1 tasse) de vinaigre blanc. Laissez reposer 20 minutes. Puis videz la solution.
5. Imbibez un chiffon doux avec du vinaigre blanc et essuyez l'embase pour enlever les dépôts. Rincez la zone de réservoir d'eau entier avec de l'eau douce pour enlever le tartre et la solution de nettoyage avant la désinfection.

UNITE DE DESINFECTION

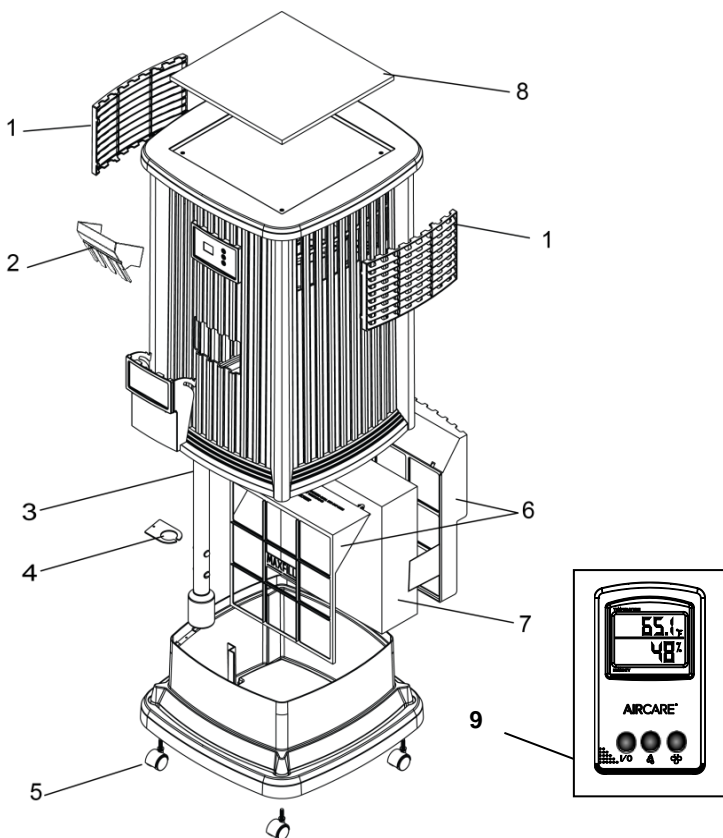
6. Remplissez l'embase avec de l'eau et ajoutez 1 cuillère à café d'eau de Javel. Essuyez les surfaces intérieures avec cette solution. Laissez reposer la solution pendant 20 minutes, puis rincer à l'eau jusqu'à ce que l'odeur de l'eau de javel ait disparue. Séchez avec un chiffon propre. L'extérieur de l'unité peut être essuyé avec un chiffon doux humidifié avec de l'eau douce.
7. Remplacez le châssis sur l'embase et re-remplissez l'unité à travers le bec de remplissage.

STOCKAGE D'ETE

Bien que l'humidificateur de piédestal soit suffisamment attractif pour être exposé toute l'année, si vous choisissez de ranger l'appareil pour l'été, assurez-vous que des soins appropriés sont pris pour protéger l'humidificateur pendant le stockage. Nous vous recommandons d'emballer le carreau dans une serviette ou une couverture pour le protéger pendant le stockage. Nous vous recommandons également de stocker la télécommande facultative (sans les piles) avec l'humidificateur pour un accès facile lorsque l'humidificateur est utilisé à nouveau. Nettoyez l'appareil tel que décrit dans la section Soins & Entretien.

1. Jetez les mèches utilisées et n'importe quelle eau dans l'embase et laissez sécher complètement avant le stockage. Ne stockez pas avec de l'eau à l'intérieur de l'embase.
2. Ne stockez pas l'appareil dans un grenier ou une autre zone à haute température, ou des dommages peuvent survenir.
3. Installez un nouveau filtre au début de la saison.

LISTE DE PIÈCES POUR SÉRIE DE LA EP9/EP9R



Pièces de Remplacement Disponibles Pour Achat

Num. Clé	Description	Numéro de Pièce	
		EP9(R) 500	EP9(R) 800
1	Déflcteur	1B71973	1B72218
2	Entonnoir	1B72282	1B72282
3	Flotteur	1B71971	1B71971
4	Retenue de Flotteur	1B71972	1B71972
5	Roulettes (4)	1B5460070	1B5460070
6	Ensemble de support de mèche	1B72081	1B72081
6	Retenue de Mèche	1B71974	1B71974
7	Mèche	N°.1043	N°.1043
8	Carreau en Pierre Naturelle de 12 po x 12 po x 3/8 po	1B72726	1B72726
9	† Télécommande	7V1999	7V1999
--	Manuel du Propriétaire (Pas d'image)	1B72671	1B72671

Les pièces et les accessoires peuvent être commandés en appelant le 1-800-547-3888. Commandez toujours par numéro de pièce, pas par Numéro Clé. Veuillez avoir le numéro de modèle de l'humidificateur disponible pendant votre appel. † télécommande est fournie avec le EP9R 500 et 800 EP9R, mais peut être acheté séparément et utilisé sur n'importe quel modèle de la série EP9.

DÉPANNAGE

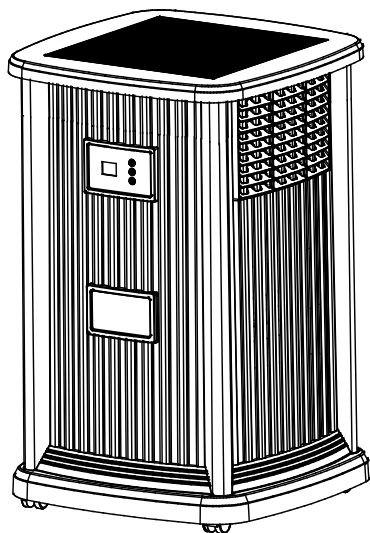
PROBLÈME	CAUSE PROBABLE	SOLUTION
L'unité ne fonctionne à aucune vitesse établie	Pas d'alimentation à l'unité	Assurez-vous que la fiche polarisée soit entièrement insérée dans la prise murale.
	Manque d'eau – le ventilateur ne fonctionne pas sans eau.	Remplissez la bouteille d'eau.
	Fonctionnement de l'interrupteur de remplissage / mauvais positionnement du montage flottant.	Assurez-vous que le montage flottant est correctement positionné comme décrit dans les "Instructions importantes pour le remplissage", page 16.
Lumière reste allumée en châssis après appareil a été désactivé.	Remplir voyant reste allumé et lorsque l'alimentation est fournie	
	Si l'appareil a surchauffé, moteur temp-détection fusible peut avoir sauté.	Prenez unité à la station-service. NE PAS TENTER réparations électriques vous-même.
Manque d'humidité.	La mèche est vieille et inefficace. L'hygrostat n'est pas suffisamment élevé	Remplacer la mèche en cas de colmatage ou durcissement avec des minéraux. Augmenter l'humidité sur le panneau de contrôle.
Trop d'humidité. (la condensation devient lourde sur les surfaces froides dans la chambre)	L'hygrostat est réglé trop haut.	Reduce humidistat setting or increase room temperature. Mise en hygrostat Réduire ou augmenter la température ambiante.
Fuite d'eau	Cabinet peut-être été trop rempli. Il existe un trou de trop-plein de sécurité en arrière de l'armoire	NE PAS TROP REMPLIR armoire. Niveau d'eau correct est indiqué l'intérieur de la paroi latérale de l'armoire.
Mauvaises odeurs	Des bactéries peuvent être présentes	Nettoyer et désinfecter en suivant les instructions de Soins et d'entretien. Ajouter le traitement pour bactéries AIRCARE/Essick, selon les instructions sur la bouteille. Il peut être nécessaire de remplacer la mèche si l'odeur persiste.

--- Blanc intentionnellement laissé ---
--- Dejó en blanco intencionalmente---
--- Intentionally left blank ---

AIRCARE®

PEDESTAL HUMIDIFICADOR POR EVAPORACIÓN

SERIE EP9 (R) SERIE GUÍA DE USO Y CUIDADO



- ▶ Humidistato ajustable
- ▶ Ventilador de variable velocidades
- ▶ Fácil llenado delantero

EP9(R) 800; EP9(R) 500

Anglais 1
Français 13



PARA ADQUIRIR PIEZAS Y ACCESORIOS LLAME AL 1.800.547.3888

LA COMODIDAD ESTÁ EN EL AIRE

INSTRUCCIONES GENERALES DE SEGURIDAD

LEER ANTES DE USAR SU HUMIDIFICADOR

PELIGRO: significa que si no se respeta la información de seguridad, alguien puede resultar seriamente herido o muerto.

ADVERTENCIA: significa que si no se respeta la información de seguridad, alguien podría resultar seriamente herido o muerto.

PRECAUCIÓN: significa que si no se respeta la información de seguridad, alguien puede resultar herido.

1. Para reducir el riesgo de incendio o descarga eléctrica, este humidificador posee un enchufe polarizado (una espiga es más ancha que la otra). Enchufe el humidificador directamente a un tomacorriente eléctrico de 120 V de CA. No utilice extensiones. Si el enchufe no encaja completamente en el tomacorriente, inviértalo. Si aún así no encaja, contacte a un electricista calificado para que instale el tomacorriente adecuado. No cambie el enchufe de ninguna manera..
2. Mantenga el cable fuera de las áreas de tránsito. Para reducir el riesgo de peligro de incendio, nunca coloque el cable debajo de alfombras, cerca de fuentes de calor, radiadores, cocinas o calentadores.
3. Siempre desenchufe el humidificador antes de moverlo, antes de limpiarlo o cada vez que el humidificador no esté funcionando.
4. Mantenga el humidificador limpio.
5. No coloque objetos extraños dentro del humidificador.
6. No permita que la unidad se utilice como un juguete. Se debe prestar atención cuando lo utilizan niños o cuando se lo utiliza cerca de niños
7. Para reducir el riesgo de peligro eléctrico o daño al humidificador, no lo mueva, sacuda ni incline mientras la unidad esté en funcionamiento.
8. Para reducir el riesgo de daños en el humidificador, desenchúfelo cuando no lo esté utilizando.
9. Para reducir el riesgo de descargas eléctricas accidentales, no toque el cable ni los controles con las manos húmedas.
10. Para reducir el riesgo de incendio, no lo utilice cerca de una fuente de fuego abierta, como una vela u otra fuente.

PRECAUCIÓN: Nunca utilice su humidificador cuando le falte una parte o una parte esté dañada en alguna forma.

PRECAUCIÓN Para reducir el riesgo de incendio, descarga eléctrica o daños, siempre desconecte la unidad antes de realizar el mantenimiento o la limpieza.

PRECAUCIÓN: Si una planta se coloca en el pedestal, asegurar que la unidad se desconecta cuando se riega la planta. Asegúrese sin agua se vierte sobre el panel de control cuando se riega la planta. Si el agua entra en el panel de control electrónico, el daño puede resultar. Asegúrese de que el panel de control está completamente seca antes de su uso.

PRECAUCIÓN: Para reducir el riesgo de incendio o electrocución, no vierta ni derrame agua sobre la zona del motor o del control. Si se mojan los controles, déjelos secar completamente y haga revisar la unidad por personal de mantenimiento autorizado antes de conectarla.

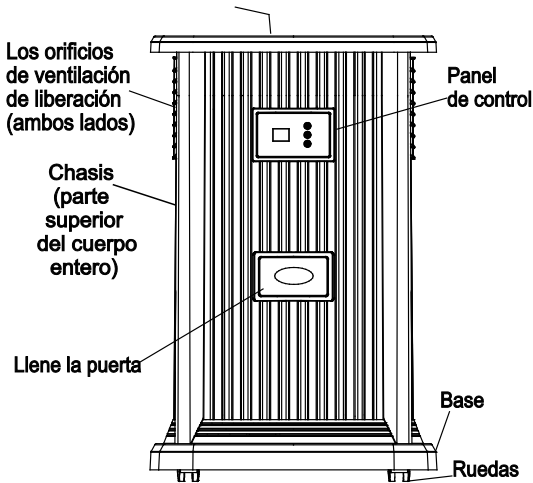
INTRODUCCIÓN

Su humidificador por evaporación añade humedad invisible a su hogar desplazando aire seco a través de una mecha saturada. A medida que el aire atraviesa la mecha, el agua se evapora en el aire, dejando atrás polvo blanco, minerales o sólidos disueltos o suspendidos. Dado que el agua se evapora, no hay niebla o rocío problemáticos, simplemente aire húmedo limpio e invisible.

A medida que la mecha de evaporación atrapa los minerales acumulados en el agua, se reduce su capacidad de absorber y evaporar agua. Se recomienda cambiar la mecha al comienzo de la estación. En áreas de aguas duras, deberá reemplazarla con más frecuencia para mantener la eficiencia de su humidificador.

Solo utilice mechas de repuesto y químicos de la marca AIRCARE[®] Essick Air[®]. Para solicitar piezas, mechas y químicos llame al 1-800-547-3888. El serie EP9 (R) utiliza mecha número de pieza 1043. Solo la mecha de evaporación de AIRCARE[®] o Essick Air[®] garantiza el rendimiento certificado de su humidificador. El uso de mechas que no son de la marca AIRCAREo Essick Air puede anular su garantía y la certificación de rendimiento y puede reducir la eficiencia de su humidificador.

Azulejos de piedra natural (puede ser eliminado y reemplazado con cualquier estándar de 12 "x 12 azulejos")



FUNCIONAMIENTO DE SU HUMIDIFICADOR

Una vez que la mecha se satura, el aire ingresa, pasa a través de la mecha y la humedad se absorbe en el aire. Toda la evaporación se produce en el humidificador de manera que todo residuo permanezca en la mecha. A diferencia de otros humidificadores, este proceso natural de evaporación no produce polvo blanco. El aire seco ingresa en el humidificador por la parte trasera y se humedece a medida que atraviesa la mecha de evaporación.

¡IMPORTANTE! El agua puede producir daños si se comienza a formar condensación en las ventanas o paredes. Se debe disminuir el punto de AJUSTE de humedad hasta que no se forme más condensación. Recomendamos que los niveles de humedad del ambiente no excedan el 50%.

* Salida basado en 8' techo. La cobertura puede variar debido a la construcción promedio o construcción hermética.

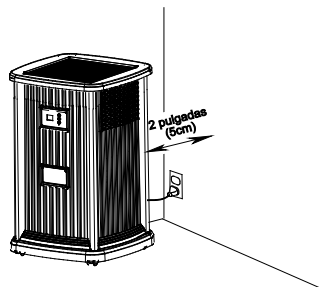
Descripción	EP9 Serie y †EP9R
*Rendimiento de galones durante 24 horas	* Hasta 9 galones
Capacidad de la humidificador	3.5 galones
Cobertura en pies cuadrados	2800 p ²
	2000 p ²
Velocidades del ventilador	Variable (9)
Mecha de reemplazo	No. 1043
Humidistato ajustable	Si
Controles	Electrónico †con mando a distancia
Registrado por ETL	Si
Voltios	120
Hertz	60
Watts	70

NOTA SOBRE LA UBICACIÓN:

NO dejar la unidad directamente en frente a tuberías de aire caliente o radiadores.

NO ubicarlo sobre moquetas blandas. Orientar la dirección del aire lejos del termostato y de las rejillas de aire caliente y colocar el humidificador cerca de una pared interna. No se debe situar la unidad donde reciba directamente el aire frío de las paredes externas o el aire cálido de una rejilla de aire caliente. Coloque el humidificador a 5 centímetros de la pared o cortinas como mínimo.

NOTE: Coloque el humidificador sobre una superficie plana y nivelada. Sitúe el requiera la mayor cantidad de humedad o en el lugar de la humidificador donde se casa donde circulará la mayor cantidad de aire; por ejemplo, cerca de un retorno de aire frío. Si la unidad se coloca cerca de una ventana, puede formarse condensación en el cristal de la ventana. Si esto sucede, se debe colocar la unidad en otro lugar.



ENSAMBLAJE

RUEDAS

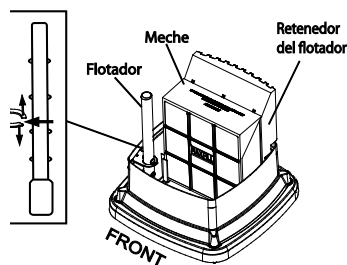
1. Separe el armazón de la base y déjelo a un lado.
2. Retire el flotador y la mecha/retenedor de la mecha. Coloque la base vacía boca abajo. Introduzca el eje de cada rueda en los orificios que se encuentran en los ángulos de la base del humidificador. Las ruedas deben encajar perfectamente e insertarse hasta que el tope del eje alcance la superficie del gabinete. Coloque la base boca arriba.

FLOTADOR

3. Instale el flotador separando las dos mitades flexibles del gancho de retención, insertando el flotador en el gancho y sujetándolo a la base.

MECHA DE EVAPORACIÓN

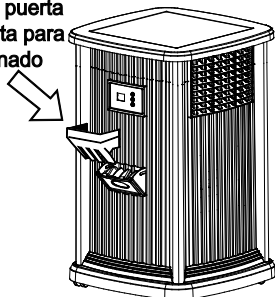
4. Asegúrese de que la mecha Superwick 1043 sea instalada en la base del retenedor de mecha de dos partes en la base del humidificador.
5. Coloque el armazón sobre el bastidor de la base y presiónelo firmemente sobre la base hasta que quede en su lugar.
6. Asegúrese de que el armazón esté situado sobre la base con el flotador orientado hacia el frente.



INFORMACIÓN SOBRE EL LLENADO

Abra la puerta de llenado en la parte frontal de la unidad. Inserte embudo en la puerta de llenado abierta. Usando una jarra, verter cuidadosamente el agua al nivel de MAX FILL indicado en el marco mecha.

Inserte el embudo en la puerta abierta para el llenado



NOTA: El inicial se llenan, tomará aproximadamente 20 minutos para que la unidad quede lista para la operación, ya que la mecha debe ser saturada. Rellenos posteriores tardarán aproximadamente 12 minutos, ya que la mecha ya está saturada.

Una vez que el proceso de llenado está completo y la mecha está saturada, la unidad está lista para ser utilizada.

7. Conecte el enchufe en un tomacorriente de pared. Su humidificador ya está listo para ser utilizado. El humidificador no debe estar cerca de ninguna rejilla de calor. Coloque la unidad a CINCO centímetros, como mínimo, de cualquier pared o cortinas. Con la libre circulación de aire en la unidad, se obtendrá el mejor rendimiento y funcionamiento.

ACERCA DE LA HUMEDAD

El punto en el que ajuste los niveles de humedad deseados depende de su nivel de comodidad personal, la temperatura exterior y la temperatura interior.

NOTA: Pruebas recientes de los CDC muestran que las posibilidades de transmisión de la gripe se reducen en gran medida a niveles de 43% de humedad.

Es posible que desee comprar un higrómetro para medir el nivel de humedad en su hogar. El siguiente es un diagrama de ajustes de humedad recomendados.

IMPORTANTE: El agua puede producir daños si comienza a formarse condensación en ventanas o paredes. Debe disminuirse el punto de AJUSTE de la humedad hasta que ya no se forme condensación. Se recomienda que los niveles de humedad de la habitación no excedan el 50%.

* Cuando la temperatura exterior es de:		La humedad relativa (HR) interior recomendada es del
°F	°C	
-20	-30°	15 - 20%
-10°	-24°	20 - 25%
2°	-18°	25 - 30%
10°	-12°	30 - 35%
20°	-6°	35 - 40%
30°	-1°	40 - 45%

* o mayor

* Modelo 1990 higrómetro digital está disponible para su compra llamando al 1-800-547-3888.

NOTA: Las lecturas del higrómetro externos y lecturas humidistato pueden ser diferentes. Los niveles de humedad pueden variar significativamente, incluso en una habitación.

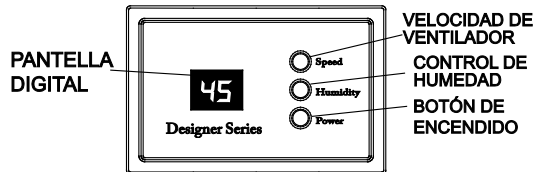
CONTROLES Y FUNCIONAMIENTO

Esta unidad posee un panel de control digital que le permite regular la velocidad del ventilador y el nivel de humedad, así como también visualizar la información sobre el estado de la unidad.

El visualizador también indicará si el control remoto opcional (EP9R 500 solamente) se encuentra en uso en ese momento.

ADVERTENCIA: Si coloca una planta sobre la unidad, asegúrese de que al regarla no se derrame agua sobre el panel de control. Si el agua ingresa en el panel de control, pueden producirse daños. Si se mojan los controles, déjelos secar completamente y haga revisar la unidad por personal de mantenimiento autorizado antes de conectarla.

1. El controlador digital posee un visualizador que brinda información sobre el estado de la unidad. Dependiendo de la función a la que se esté accediendo, el visualizador muestra la humedad relativa y la velocidad del ventilador e indica si la unidad se ha quedado sin agua.



VELOCIDAD DEL VENTILADOR

El botón Speed (Velocidad) controla el motor de velocidad variable. Las nueve velocidades proporcionan un control preciso sobre el ventilador. Presione el botón de encendido y seleccione la velocidad del ventilador: desde F1 (velocidad baja) hasta F9 (velocidad alta). La velocidad del ventilador se visualizará en el panel de control a medida que se aumente o se disminuya.

NOTA: Se recomienda disminuir la velocidad del ventilador cuando exista una condensación excesiva.



CONTROL DE LA HUMEDAD

NOTA: Permita 10 a 15 minutos para el humidistato para ajustar al cuarto al establecer la unidad por primera vez.

NOTA: La Serie EP9 / EP9R tiene un humidistato automático situado en el cable, que mide la humedad relativa de la habitación. Cuando el nivel de humedad seleccionado desciende un 3% por debajo de la humedad relativa, el humidificador entra en un ciclo de encendido y apagado, según se requiera, para mantener el ajuste seleccionado.

2. En la instalación inicial se visualizará la humedad relativa del ambiente. Cada vez que pulse el botón de control de humedad, se aumentará la configuración en incrementos del 5%. A un punto de ajuste del 65%, la unidad funcionará de manera continua.

OTRAS FUNCIONES / INDICACIONES

3. Este humidificador tiene un recordatorio de verificación del filtro que aparecerá después de las 720 horas de uso. Cuando aparece el mensaje de Verificación de filtro (CF, por sus siglas en inglés), desenchufe el cable y verifique el estado del filtro. El mensaje CF se reiniciará cuando se vuelva a conectar el humidificador.

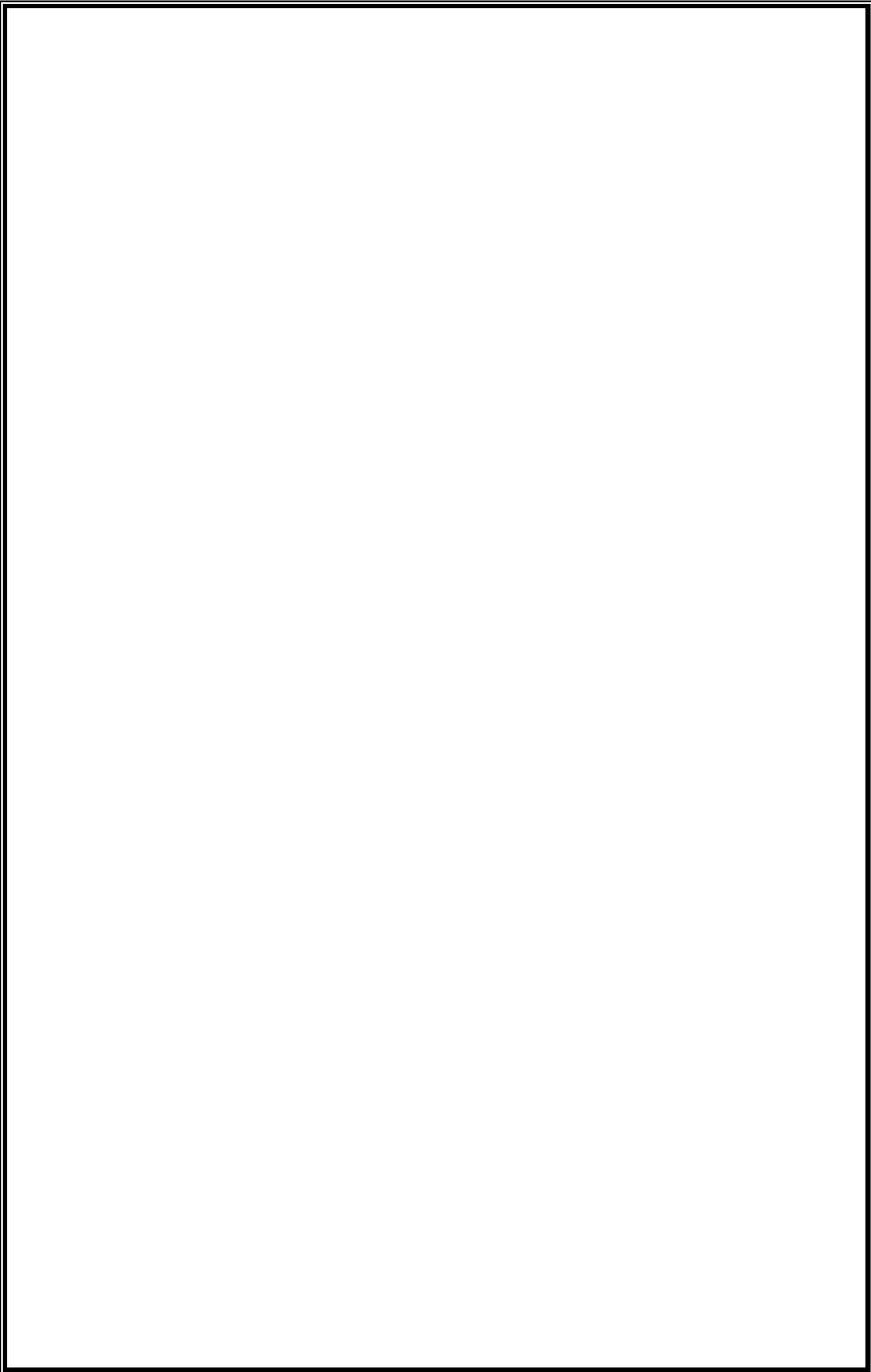
4. Cuando la unidad se encuentre sin agua, aparecerá una F intermitente en el visualizador.

AUTO MODO DE SECADO

También en este momento, la unidad cambiará automáticamente al AUTOMODO DE SECADO y continuará funcionando a la velocidad más baja hasta que el filtro se seque.. El ventilador se apagará, dejando un humidificador seco que es menos propenso al crecimiento de moho y verdín.

Si no se desea AUTO MODO DE SECADO, rellene con agua el humidificador.

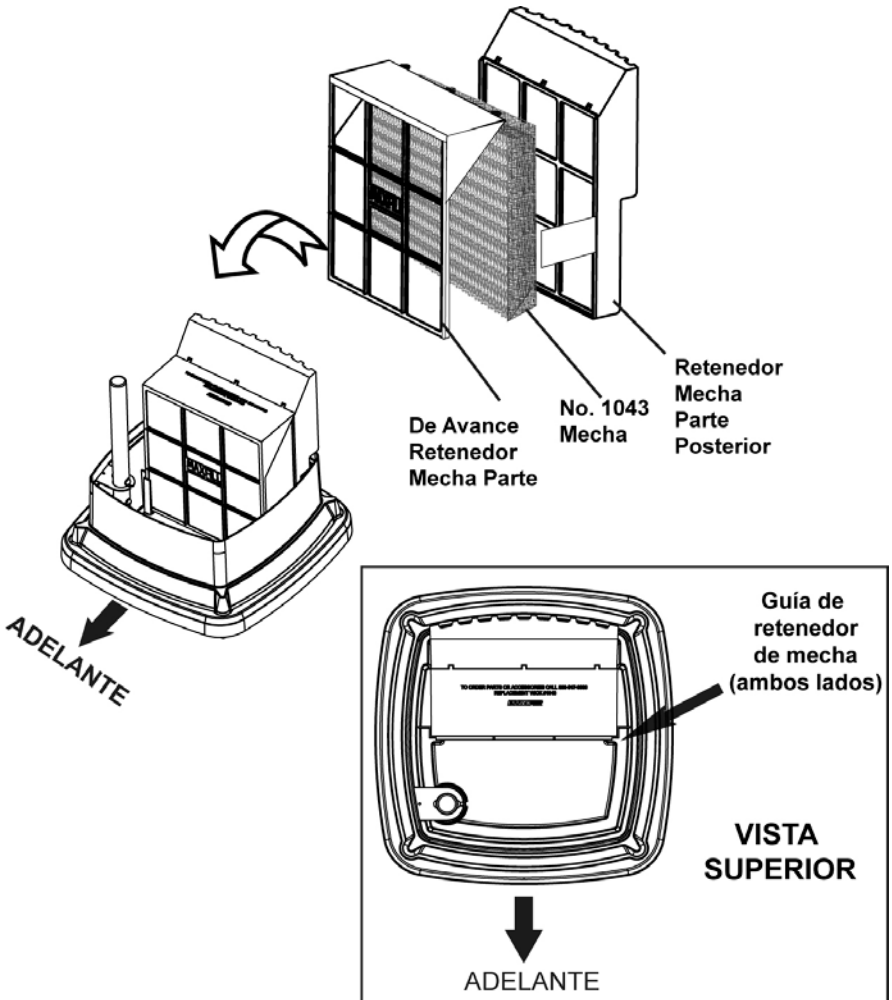




REEMPLAZO DE MECHA

La Serie EP9 / EP9R utiliza la mecha Super Wick 1043. Siempre utilice la mecha original de marca AIRCARE® o Essick® para mantener su unidad y conservar su garantía.

1. Primero, quite cualquier objeto que se encuentre sobre la unidad, retire la loseta de piedra natural y colóquela en un lugar seguro.
2. Levante y separe el armazón de la base para que la mecha, el retenedor de mecha y el flotador queden a la vista.
3. Retire el ensamblaje del retenedor y la mecha. Separe el retenedor de mecha de dos partes.
4. Retire la mecha usada, extraiga el exceso de agua y deséchela.
5. Coloque la nueva mecha AIRCARE® o Essick® 1043 del lado más pequeño del retenedor de la mecha y cierre a presión la parte posterior más grande.
6. Luego coloque el ensamblaje en la base, alineándolo con las guías incorporadas.



CUIDADO Y MANTENIMIENTO

ADVERTENCIA: Desconecte el suministro de energía antes de realizar el llenado, limpieza o mantenimiento de la unidad. Mantenga la rejilla seca en todo momento.

Limpiai frecuentemente su humidificador ayuda a eliminar los olores y el desarrollo de hongos y bacterias. El blanqueador doméstico común es un buen desinfectante y puede utilizarse para repasar la base del humidificador luego de la limpieza. Se recomienda limpiar el humidificador por lo menos cada dos semanas a fin de mantener su hogar en óptimas condiciones ambientales.

Asimismo se recomienda utilizar el Tratamiento Antibacteriano marca AIRCARE® o Essick® cada vez que rellene su humidificador para eliminar el desarrollo de bacterias. Añada el bactericida según las instrucciones del envase. Para adquirir el Tratamiento Antibacteriano (Nº de referencia 1970), comuníquese al 1-800-547-3888.

1. Retire todos los objetos que se encuentren sobre la unidad. Retire la loseta de piedra natural y colóquela en un lugar seguro. Apague la unidad completamente y desconéctela del tomacorriente.
2. Separe el armazón de la base y déjelo a un lado.
3. Traslade la base a un lavabo. Levante la mecha y los retenedores de la base para permitir que se escurra el agua. Enjuague la mecha únicamente con agua limpia. No utilice jabón, detergente ni cualquier otro producto de limpieza en la mecha. Deje escurrir en la pileta.

ELIMINACIÓN DEL SARRO

4. Vacíe el agua de la base. Llene la base con agua y añada 250 cm cúbicos (una taza) de vinagre blanco. Deje reposar durante 20 minutos. Luego vacíe la solución.
5. Humedezca un paño suave con vinagre blanco y repase la base para eliminar el sarro. Enjuague completamente toda el área del depósito de agua con agua limpia para eliminar el sarro y la solución de limpieza antes de la desinfección.

DESINFECCIÓN DE LA UNIDAD

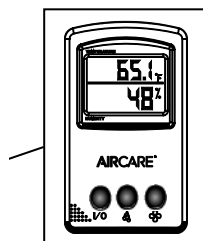
6. Llene la base con agua y añada una cucharadita de blanqueador. Limpie las superficies interiores con esta solución. Deje actuar la solución durante 20 minutos. Luego enjuague con agua hasta que el olor del blanqueador desaparezca. Seque con un paño limpio. El exterior de la unidad puede limpiarse con un paño suave humedecido en agua limpia.
7. Vuelva a colocar el armazón en la base y rellene la unidad a través del conducto de llenado.

ALMACENAMIENTO DURANTE EL VERANO

Aunque el humidificador tenga una apariencia lo suficientemente estética como para dejarlo en la habitación todo el año, si opta por guardar la unidad durante el verano, asegúrese de tomar las precauciones necesarias para proteger el humidificador durante el almacenamiento. No se recomienda la eliminación de las baldosas de piedra de la parte superior unidad, si es posible. Se recomienda guardar el humidificador junto con el control remoto opcional (sin pilas) a fin de acceder con facilidad a él cuando se vuelva utilizar. Limpie la unidad como se describe en la sección Cuidado y mantenimiento.

1. Deseche la mecha usada y toda el agua que se encuentre en la base y deje secar completamente antes del almacenamiento. No guarde la unidad con agua en la base.
2. No guarde la unidad en un ático u otra zona de alta temperatura, que se produzcan daños.
3. Instale un nuevo filtro al comienzo de la estación.

LISTADO DE PIEZAS PARA EP9(R) SERIE



Piezas de repuesto disponibles en el mercado			
N.º de clave	Descripción	Número de pieza	
		EP9(R)500	EP9(R)800
1	Deflector	1B71973	1B72714
2	Embudo	1B72282	1B72282
3	Flotador	1B71971	1B71971
4	Retenedor del flotador	1B71972	1B72713
5	Ruedas (4)	1B5460070	1B5460070
6	Retenedor de mecha	1B72081	1B72081
7	Mecha	1043	1043
8	Loseta de piedra natural de 30 cm x 30 cm x 1 cm	1B72726	1B72726
9	†Control remoto (opcional)	7V1999	7V1999
--	Manual del usuario (sin ilustración)	1B72671	1B72671

Las piezas y los accesorios se pueden adquirir llamando al **1-800-547-3888**. Siempre realice los encargos por el número de pieza, no por el número de clave. Tenga a su alcance el número de modelo del humidificador cuando se comunice. † El control remoto se suministra con el EP9R 500 y EP9R 800, pero se puede comprar por separado y utilizar en cualquier modelo de la serie EP9.

PROBLEMA	CAUSA PROBABLE	SOLUCIÓN
La unidad no funciona en ninguno de los ajustes de velocidad.	No hay corriente eléctrica en la unidad.	Asegúrese de que el enchufe polarizado está completamente insertado en el tomacorriente de la pared.
	La unidad se quedó sin agua (el ventilador no funcionará si no hay presencia de agua).	Rellene el envase de agua.
	Funcionamiento del repuesto del interruptor/posicionamiento inadecuado del conjunto del flotador.	Asegúrese de que el ensamblaje del flotador está posicionado correctamente, según se describe en las "Instrucciones de llenado importantes", en la página 28 .
La luz permanece encendida en el chasis de la unidad después de haberlo apagado.	Rellene estancias de luz encendido y cuando se suministra alimentación.	Lleve la unidad al centro de servicio autorizado. NO INTENTE reparaciones eléctricas a ti mismo.
	Si la unidad se ha sobrecalentado, el fusible del motor de detección de temperatura puede estar abierto	
No hay suficiente humedad.	La mecha es vieja y no funciona con eficacia.	Reemplace la mecha cuando esté obstruida o endurecida con minerales.
	El humidistato no está establecido lo suficientemente alto.	Aumente el ajuste de humedad desde el panel de control.
Hay demasiada humedad.(la condensación se vuelve pesada en superficies de la habitación con pliegues).	El humidistato está establecido demasiado alto.	Reduzca el ajuste del humidistato o aumente la temperatura de la habitación.
Pérdida de agua.	Gabinete puede haber sido demasiado llena. Hay un agujero de seguridad de exceso de parte posterior del gabinete.	NO SOBRELLENE gabinete. Nivel de agua correcta está indicada interior de la pared lateral del gabinete.
Olor.	Puede haber presencia de bacterias.	Limpie y desinfecte el gabinete siguiendo las instrucciones de Mantenimiento y cuidado. Agregue el Tratamiento de bacterias AIRCARE /Essick según las instrucciones del envase. Si el olor persiste, tal vez sea necesario reemplazar la mecha.