



1000 1200 2000 2200

# LP GAS GRILL OWNER'S GUIDE

**ESNA** Guía del Propietario de la Barbacoa de Gas Propano Licuado - Pg. 23  
Ensamblaje - Pg. 4

**FC** Mode d'Emploi du Grill à Gaz PL - Pg. 39  
Assemblage - Pg. 4



Thank you for purchasing a Weber® grill.

Now take a few minutes and protect it by registering your product online at [www.weber.com](http://www.weber.com)®.

## **⚠ DANGER**

If you smell gas:

- 1) Shut off gas to the appliance.
- 2) Extinguish any open flames.
- 3) Open lid.
- 4) If odor continues, keep away from the appliance and immediately call your gas supplier or your fire department.

Failure to follow these instructions could result in fire or explosion which could cause property damage, personal injury or death.

## **⚠ DANGER**

- 1) Never operate this appliance unattended.
- 2) Never operate this appliance within 10 ft (3.0 m) of any structure, combustible material or other gas cylinder.
- 3) Never operate this appliance within 25 ft (7.5 m) of any flammable liquid.
- 4) If a fire should occur, keep away from the appliance and immediately call your fire department. Do not attempt to extinguish an oil or grease fire with water.

Failure to follow these instructions could result in fire, explosion or burn hazard, which could cause property damage, personal injury or death.

This instruction manual contains important information necessary for the proper assembly and safe use of the appliance.

Read and follow all warnings and instructions before assembling and using the appliance.

Follow all warnings and instructions when using the appliance.

Keep this manual for future reference.

Carefully follow all leak-check procedures in this Owner's Guide prior to grill operation. Do this even if the grill was dealer-assembled.

Do not ignite this appliance without first reading the burner ignition sections of this manual.

**THIS GAS APPLIANCE IS  
DESIGNED FOR OUTDOOR  
USE ONLY.**



**57503**

US - ENGLISH  
02/13/14

# WARNINGS

## ⚠ DANGER

Failure to follow the DANGERS, WARNINGS, and CAUTIONS contained in this Owner's Guide may result in serious bodily injury or death, or may result in a fire or an explosion causing damage to property.

### WARNINGS:

- ⚠ Do not use this grill unless all parts are in place. The grill must be properly assembled according to the assembly instructions.
- ⚠ Your Weber® gas grill should never be used by children. Accessible parts of the grill may be very hot. Keep young children and pets away while grill is in use.
- ⚠ This Weber® gas grill is not intended for commercial use.
- ⚠ This Weber® gas grill is not intended for and should never be used as a heater.
- ⚠ Exercise caution when using your Weber® gas grill. It will be hot during cooking or cleaning, and should never be left unattended, or moved while in operation.
- ⚠ Do not use charcoal or lava rock in your Weber® gas grill.
- ⚠ While igniting the grill or cooking, never lean over open grill.
- ⚠ Never place hands or fingers on the front edge of the cookbox when the grill is hot or the lid is open.
- ⚠ Do not attempt to disconnect the gas regulator or any gas fitting while your grill is in operation.
- ⚠ Use heat-resistant barbecue mitts or gloves when operating grill.
- ⚠ Use the pressure regulator that is supplied with your Weber® gas grill.
- ⚠ Should the burner go out while grill is in operation, turn the gas valve off. Open the lid and wait five minutes before attempting to relight grill, using the igniting instructions.
- ⚠ Do not use the Weber® Q® grill in any vehicle or in any storage or cargo area of any vehicle, including cars, trucks, station wagons, mini-vans, sport utility vehicles (SUVs) or recreational vehicles (RVs).
- ⚠ Do not place grill on glass or a combustible surface.
- ⚠ Do not build this model of grill in any built-in or slide-in construction. Ignoring this WARNING could cause a fire or an explosion that can damage property and cause serious bodily injury or death.
- ⚠ Do not store an extra (spare) or disconnected liquid propane cylinder under or near this grill.
- ⚠ After a period of storage and/or nonuse, the Weber® gas grill should be checked for gas leaks and burner obstructions before use. See instructions in this Owner's Guide for correct procedures.
- ⚠ Do not operate the Weber® gas grill if there is a gas leak present.
- ⚠ Do not use a flame to check for gas leaks.
- ⚠ Do not put a grill cover or anything flammable on the grill while grill is in operation or is hot.
- ⚠ Liquid propane gas is not natural gas. The conversion or attempted use of natural gas in a liquid propane gas unit or liquid propane gas in a natural gas unit is dangerous and will void your warranty.
- ⚠ Keep any electrical supply cord and the fuel supply hose away from any heated surfaces.
- ⚠ Do not enlarge valve orifice or burner ports when cleaning the valve or burner.
- ⚠ The Weber® gas grill should be thoroughly cleaned on a regular basis.
- ⚠ If you see, smell, or hear the hiss of gas escaping from the liquid propane cylinder:
  1. Move away from liquid propane cylinder.
  2. Do not attempt to correct the problem yourself.
  3. Call your fire department.
- ⚠ Should a grease fire occur, turn off the burner and leave lid closed until fire is out.
- ⚠ The use of alcohol, prescription drugs, non-prescription drugs, or illegal drugs may impair the consumer's ability to properly and safely assemble, move, store, or operate the appliance.

### ADDITIONAL WARNINGS FOR STATE OF CALIFORNIA:

- ⚠ Combustion byproducts produced when using this product contain chemicals known to the state of California to cause cancer, birth defects, or other reproductive harm.
- ⚠ Proposition 65 Warning: Handling the brass material on this product exposes you to lead, a chemical known to the state of California to cause cancer, birth defects or other reproductive harm. (Wash hands after handling this product.)

# WARRANTY

Thank you for purchasing a WEBER® product. Weber-Stephen Products LLC (“Weber”) prides itself on delivering a safe, durable, and reliable product.

This is Weber’s Limited Warranty provided to you at no extra charge. It contains the information you will need to have your WEBER® product repaired in the unlikely event of a failure or defect.

## WEBER’S RESPONSIBILITIES

Weber provides, to the original purchaser of the WEBER® product (or in the case of a gift or promotional situation, the person for whom it was purchased as a gift or promotional item), that the WEBER® product is free from defects in material and workmanship for the period(s) of time specified below when assembled and operated in accordance with the accompanying Owner’s Guide. (Note: If you lose or misplace your WEBER® Owner’s Guide, a replacement is available online at [www.weber.com](http://www.weber.com)). Under normal, private single family home or apartment use and maintenance, Weber agrees to repair or replace defective parts within the applicable time periods, limitations and exclusions listed below. THIS LIMITED WARRANTY IS EXTENDED ONLY TO THE ORIGINAL PURCHASER AND IS NOT TRANSFERABLE TO SUBSEQUENT OWNERS, EXCEPT IN THE CASE OF GIFTS AND PROMOTIONAL ITEMS AS NOTED ABOVE.

## OWNER’S RESPONSIBILITIES

To ensure trouble-free warranty coverage, it is important that you register your WEBER® product online at [www.weber.com](http://www.weber.com) or via Weber Customer Service at 1-800-446-1071. Please also retain your original sales receipt and/or invoice. Registering your WEBER® product confirms your warranty coverage and provides a direct link between you and Weber in case we need to contact you.

The Owner must take reasonable care of the WEBER® product and follow all assembly instructions, usage instructions, and preventative maintenance as outlined in the accompanying Owner’s Guide. If you live in a coastal area, or have your product located near a pool, maintenance includes regular washing and rinsing of the exterior surfaces as outlined in the accompanying Owner’s Guide. If you believe that you have a part that is covered by this Limited Warranty, please contact Weber Customer Service at 1-800-446-1071 or [support@weberstephen.com](mailto:support@weberstephen.com). Weber will, upon investigation, repair or replace (at its option) a defective part covered by this Limited Warranty. In the event that repair or replacement are not possible, Weber may choose (at its option) to replace the grill in question with a new grill of equal or greater value. Weber may ask you to return parts for inspection, shipping charges to be pre-paid.

This LIMITED WARRANTY does not cover damage, deterioration, discoloration, and/or rust caused by:

- Abuse, misuse, alteration, modification, misapplication, vandalism, neglect, improper assembly or installation, and failure to properly perform normal and routine maintenance;
- Insects (such as spiders) and rodents (such as squirrels), including but not limited to damage to burner tubes and/or gas hoses;
- Exposure to salt air and/or chlorine sources such as swimming pools and hot tubs/spas;
- Severe weather conditions such as hail, hurricanes, earthquakes, tsunamis or surges, tornadoes, or severe storms.

The use and/or installation of parts on your WEBER® product that are not genuine Weber parts will void this Limited Warranty, and any damages that result are not covered by this Limited Warranty. Any conversion of a gas grill not authorized by Weber and performed by a Weber authorized service technician will void this Limited Warranty.

The grills illustrated in this Owner’s Guide may vary slightly from the model purchased.

## PRODUCT WARRANTY PERIODS

Cookbox: 5 years, no rust through/burn through  
(2 years paint excluding fading or discoloration)

Lid assembly: 5 years, no rust through/burn through  
(2 years paint excluding fading or discoloration)

Stainless steel burner tubes: 5 years, no rust through/burn through

Porcelain-enameled  
cast iron cooking grates: 5 years, no rust through/burn through

Plastic components: 5 years, excluding fading or discoloration

All remaining parts: 2 years

## DISCLAIMERS

WEBER MAKES NO IMPLIED WARRANTIES INCLUDING WITHOUT LIMITATION ANY IMPLIED WARRANTY OF MERCHANTABILITY OR FITNESS FOR A PARTICULAR PURPOSE, OTHER THAN WHAT IS EXPRESSLY MADE IN THIS LIMITED WARRANTY. NO WARRANTIES SHALL APPLY AFTER THE APPLICABLE PERIODS OF THIS LIMITED WARRANTY. NO OTHER WARRANTIES GIVEN BY ANY PERSON OR ENTITY, INCLUDING A DEALER OR RETAILER WITH RESPECT TO ANY PRODUCT (SUCH AS ANY “EXTENDED WARRANTIES”), SHALL BIND WEBER. THE EXCLUSIVE REMEDY OF THIS LIMITED WARRANTY IS REPAIR OR REPLACEMENT OF THE PART OR PRODUCT. THE TERMS OF THIS LIMITED WARRANTY PROVIDE THE SOLE AND EXCLUSIVE REMEDY ARISING FROM THE SALE OF THE PRODUCTS COVERED HEREBY. WEBER SHALL NOT BE LIABLE FOR ANY SPECIAL, INDIRECT, INCIDENTAL, OR CONSEQUENTIAL LOSS OR DAMAGES. SOME JURISDICTIONS DO NOT ALLOW THE EXCLUSION OR LIMITATION OF INCIDENTAL OR CONSEQUENTIAL DAMAGES, OR LIMITATIONS ON HOW LONG AN IMPLIED WARRANTY LASTS, SO THE ABOVE EXCLUSIONS OR LIMITATIONS MAY NOT APPLY TO YOU.

IN NO EVENT SHALL RECOVERY OF ANY KIND BE GREATER THAN THE AMOUNT OF THE PURCHASE PRICE OF THE WEBER PRODUCT SOLD.

YOU ASSUME THE RISK AND LIABILITY FOR LOSS, DAMAGE, OR INJURY TO YOU AND YOUR PROPERTY AND/OR TO OTHERS AND THEIR PROPERTY ARISING OUT OF THE MISUSE OR ABUSE OF THE PRODUCT OR FAILURE TO FOLLOW INSTRUCTIONS PROVIDED BY WEBER IN THE ACCOMPANYING OWNER’S GUIDE.

THIS LIMITED WARRANTY GIVES YOU SPECIFIC LEGAL RIGHTS, AND YOU MAY ALSO HAVE OTHER RIGHTS THAT VARY IN DIFFERENT JURISDICTIONS.

PARTS AND ACCESSORIES REPLACED UNDER THIS LIMITED WARRANTY ARE WARRANTED ONLY FOR THE BALANCE OF THE ORIGINAL WARRANTY PERIOD(S).

THIS LIMITED WARRANTY APPLIES TO PRIVATE SINGLE FAMILY HOME OR APARTMENT USE ONLY AND DOES NOT APPLY TO WEBER® GRILLS USED IN COMMERCIAL, COMMUNAL OR MULTI-UNIT SETTINGS SUCH AS RESTAURANTS, HOTELS, RESORTS, OR RENTAL PROPERTIES.

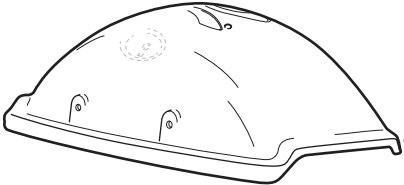

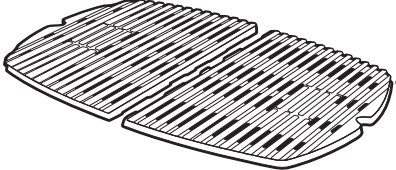
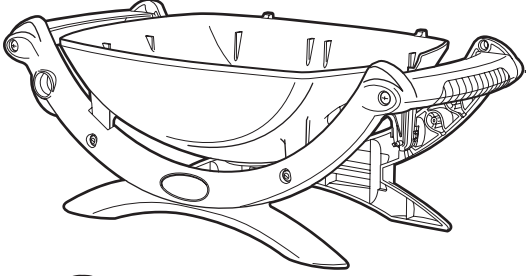
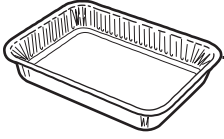
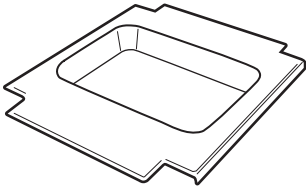
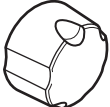
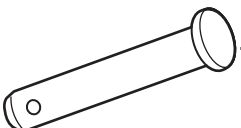

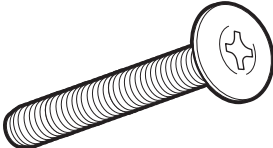
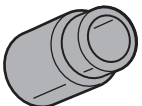


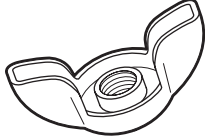
WEBER MAY FROM TIME TO TIME CHANGE THE DESIGN OF ITS PRODUCTS. NOTHING CONTAINED IN THIS LIMITED WARRANTY SHALL BE CONSTRUED AS OBLIGATING WEBER TO INCORPORATE SUCH DESIGN CHANGES INTO PREVIOUSLY MANUFACTURED PRODUCTS, NOR SHALL SUCH CHANGES BE CONSTRUED AS AN ADMISSION THAT PREVIOUS DESIGNS WERE DEFECTIVE.

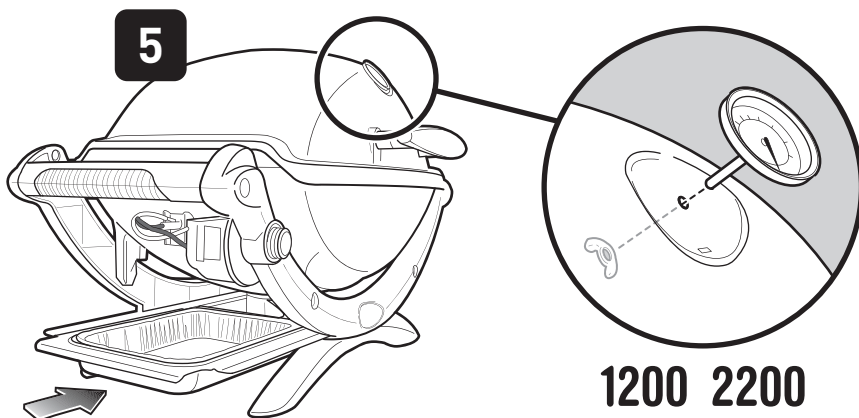
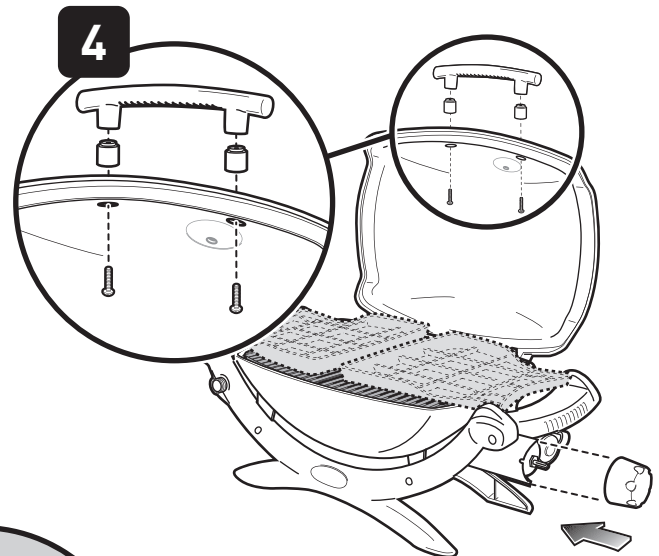
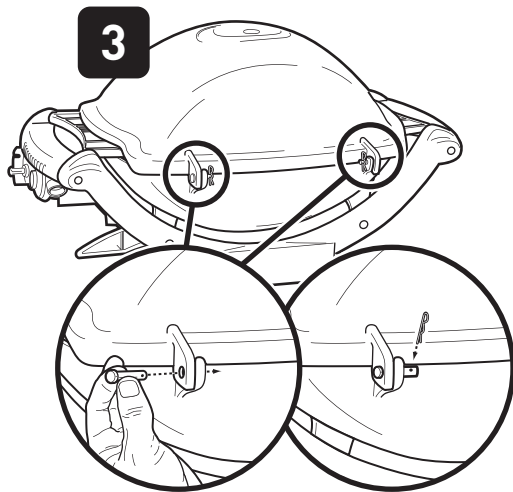
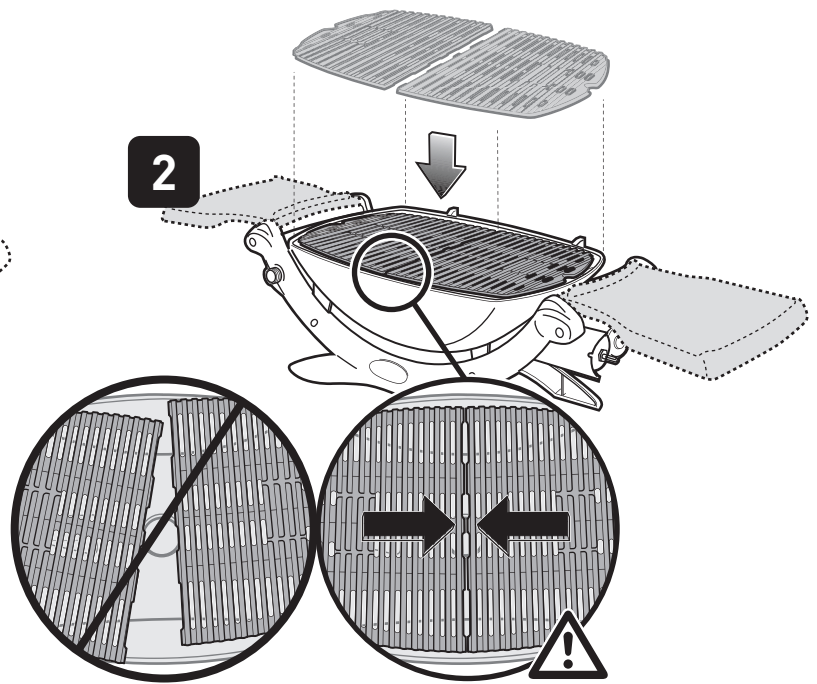
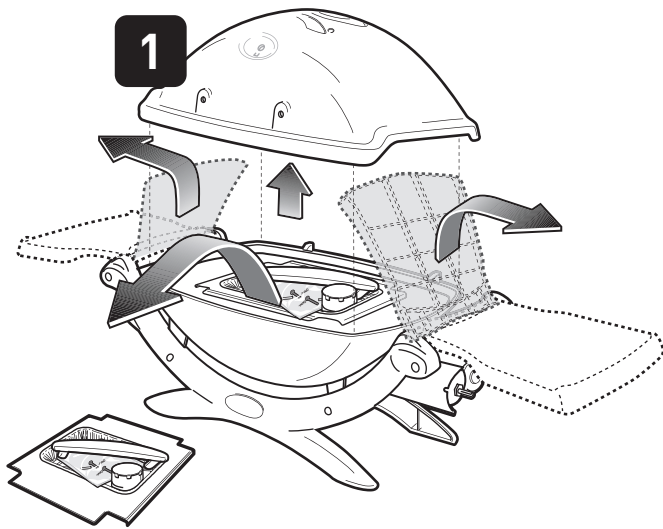
WEBER-STEPHEN PRODUCTS LLC  
Customer Service Center  
90 West Hillcrest Boulevard, Suite 308  
Schaumburg, IL 60195  
USA

# TABLE OF CONTENTS

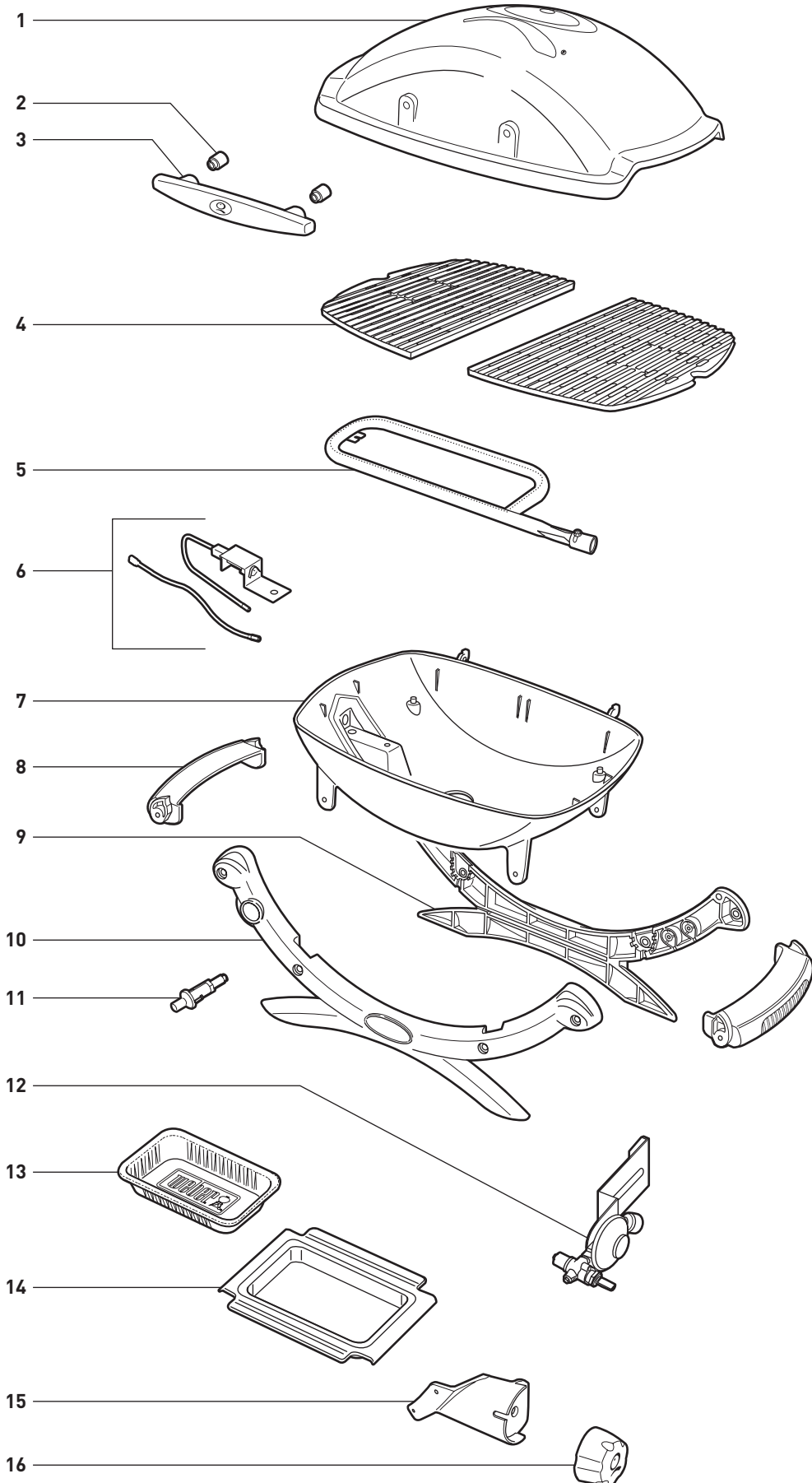
WARNINGS .....	2
WARRANTY .....	3
TABLE OF CONTENTS .....	3
PARTS LIST .....	4
ASSEMBLY .....	5
WEBER® Q® 1000 EXPLODED VIEW .....	6
WEBER® Q® 1200 EXPLODED VIEW .....	7
WEBER® Q® 2000 EXPLODED VIEW .....	8
WEBER® Q® 2200 EXPLODED VIEW .....	9
IMPORTANT INFORMATION ABOUT LP GAS & GAS CONNECTIONS .....	10
WHAT IS LP GAS? .....	10
SAFE HANDLING TIPS FOR LP GAS CYLINDERS .....	10
STORAGE AND/OR NONUSE .....	10
US INSTALLATION CODES .....	10
CANADIAN INSTALLATION CODES .....	10
REGULATOR CONNECTIONS .....	10
FUELING YOUR GRILL .....	10
INSTALLING THE LP CYLINDER .....	10
REMOVING THE LP CYLINDER .....	10
PREPARING TO USE YOUR GRILL .....	11
CHECKING FOR GAS LEAKS .....	11
WHAT IS A LEAK CHECK? .....	11
SAFETY CHECKS BEFORE USING YOUR GRILL .....	12
SAFETY FIRST .....	12
REMOVABLE CATCH PAN AND DISPOSABLE DRIP PAN .....	12
GRILLING TIPS & HELPFUL HINTS .....	13
TIPS & HINTS .....	13
PREHEATING .....	13
COVERED COOKING .....	13
GREASE COLLECTION SYSTEM .....	13
BURNER IGNITION & USAGE .....	14
METHODS OF BURNER IGNITION .....	14
BURNER IGNITION .....	14
TO EXTINGUISH BURNER .....	14
BURNER IGNITION – Lighting with a Match .....	15
TO EXTINGUISH BURNER .....	15
TROUBLESHOOTING .....	16
ANNUAL MAINTENANCE .....	17
BURNER FLAME PATTERN .....	17
WEBER® SPIDER/INSECT SCREEN(S) .....	17
BURNER TUBE PORTS .....	17
KEEPING YOUR WEBER® GRILL IN TIP-TOP SHAPE .....	17
BURNER TUBE CLEANING OR REPLACEMENT .....	18
ROUTINE MAINTENANCE .....	19
BEAUTIFUL—INSIDE AND OUT .....	19
CLEANING THE OUTSIDE OF THE GRILL .....	19
CLEANING THE INSIDE OF THE GRILL .....	19
IGNITION SYSTEM OPERATIONS .....	20
MAINTAINING THE PUSH BUTTON IGNITION SYSTEM (Q® 1000 & Q® 2000) .....	20
MAINTAINING THE ELECTRONIC IGNITION SYSTEM (Q® 1200 & Q® 2200) .....	20

PARTS LIST · LISTA DE PARTES · LISTE DES PIÈCES

		1200	2200
	1		
	1		
	1		
	1		
	1		
	1		
	1		
	2		
	2		
	2		
	2		
			1
			1
			1

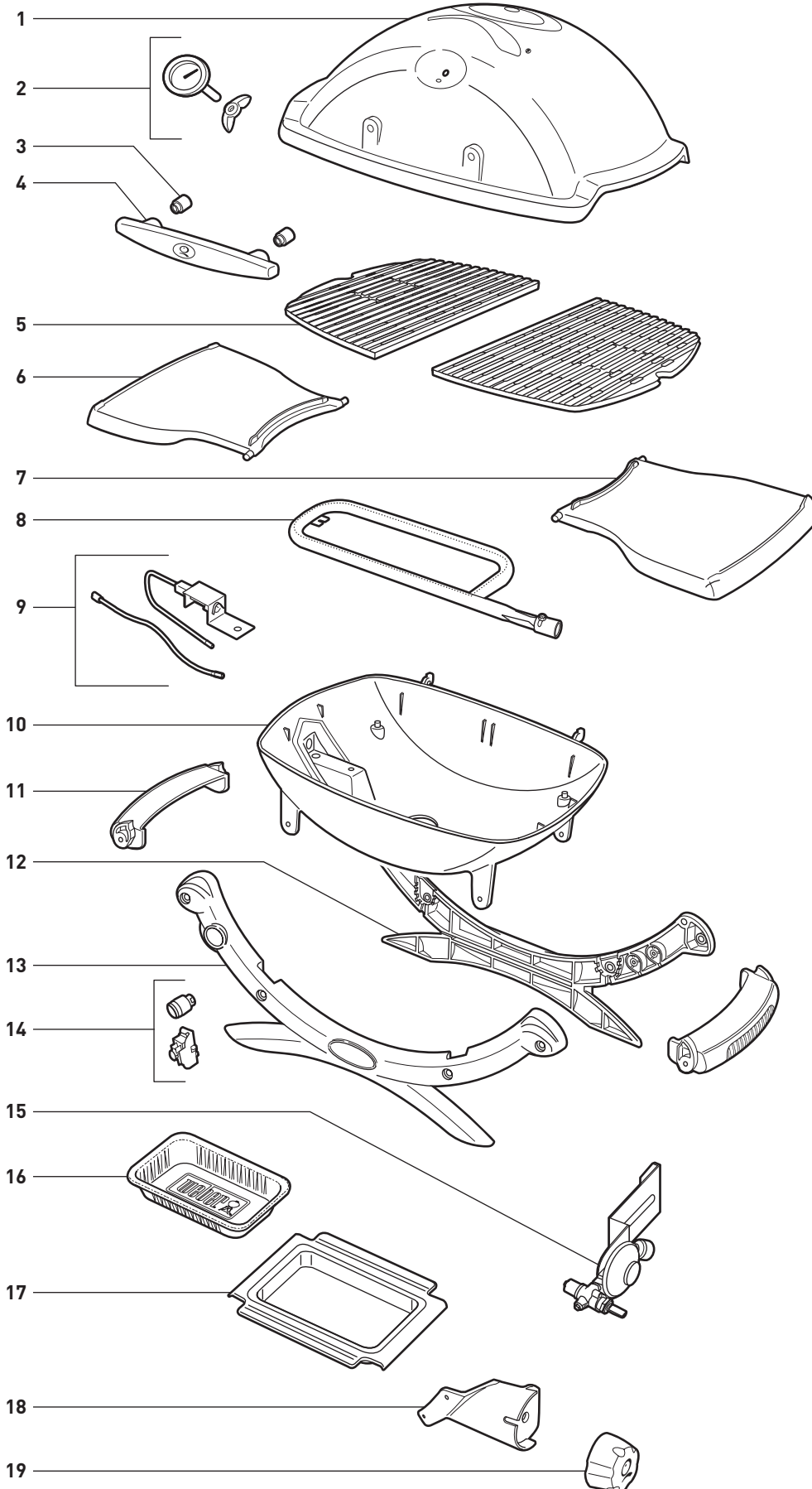


Q1000\_US\_LP\_032513



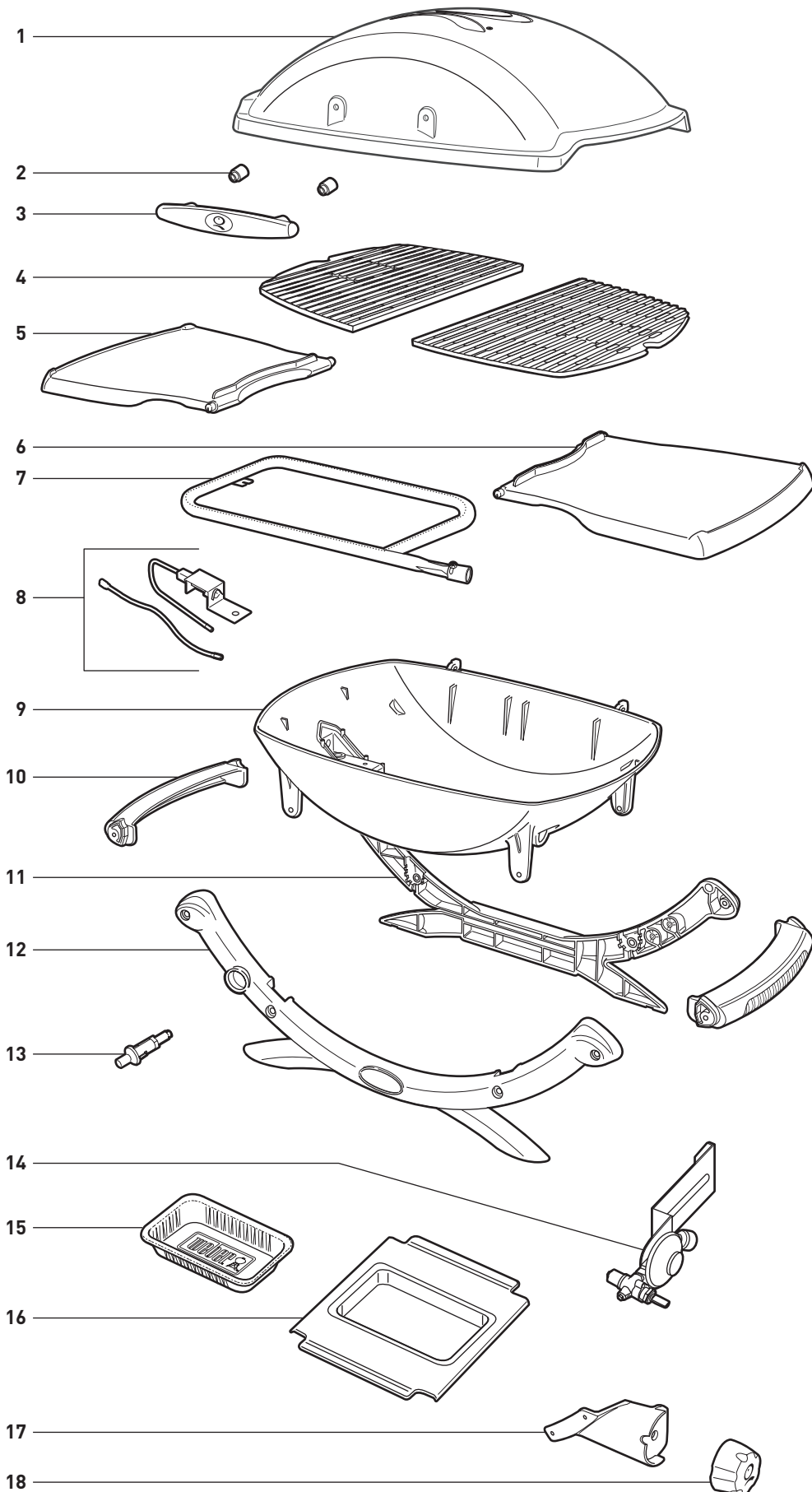
1. **Lid**  
Tapa  
Couvercle
2. **Handle Spacer**  
Espaciador del asa  
Ecarteur de poignée
3. **Handle**  
Asa  
Poignée
4. **Cooking Grate**  
Parrilla de cocción  
Grille de cuisson
5. **Burner Tube**  
Tubo del quemador  
Tube du brûleur
6. **Igniter Electrode Assembly**  
Ensamble del electrodo encendedor  
Assemblage de l'électrode de l'allumeur
7. **Cookbox**  
Caja de cocción  
Boîtier de cuisson
8. **Carrying Handle**  
Asa de carga  
Poignée de transport
9. **Rear Cradle**  
Soporte posterior  
Support arrière
10. **Front Cradle**  
Soporte delantero  
Support avant
11. **Push Button Igniter**  
Botón de ignición  
Allumeur à bouton-poussoir
12. **Valve and Regulator Assembly**  
Ensamble de la válvula y regulador  
Assemblage valve et régulateur
13. **Disposable Drip Pan**  
Bandeja de goteo desechable  
Egouttoir jetable
14. **Removable Catch Pan**  
Plato recolector desmontable  
Bac de récupération des graisses amovible
15. **Control Bracket**  
Tablero de control  
Panneau de commande
16. **Burner Control Knob**  
Perilla de control del quemador  
Bouton de commande du brûleur

Q1200\_US\_LP\_032513



1. **Lid**  
Tapa  
Couvercle
2. **Thermometer**  
Termómetro  
Thermomètre
3. **Handle Spacer**  
Espaciador del asa  
Ecarteur de poignée
4. **Handle**  
Asa  
Poignée
5. **Cooking Grate**  
Parrilla de cocción  
Grille de cuisson
6. **Left Side Table**  
Mesa lateral izquierda  
Tablette latérale gauche
7. **Right Side Table**  
Mesa lateral derecha  
Tablette latérale droite
8. **Burner Tube**  
Tubo del quemador  
Tube du brûleur
9. **Igniter Electrode Assembly**  
Ensamble del electrodo encendedor  
Assemblage de l'électrode de l'allumeur
10. **Cookbox**  
Caja de cocción  
Boîtier de cuisson
11. **Carrying Handle**  
Asa de carga  
Poignée de transport
12. **Rear Cradle**  
Soporte posterior  
Support arrière
13. **Front Cradle**  
Soporte delantero  
Support avant
14. **Electronic Igniter Button/  
Electronic Igniter Module**  
Botón del encendedor electrónico/  
Módulo de encendido electrónico  
Bouton de l'allumeur électronique/  
Module de l'allumeur électronique
15. **Valve and Regulator Assembly**  
Ensamble de la válvula y regulador  
Assemblage valve et régulateur
16. **Disposable Drip Pan**  
Bandeja de goteo desechable  
Egouttoir jetable
17. **Removable Catch Pan**  
Plato recolector desmontable  
Bac de récupération des graisses amovible
18. **Control Bracket**  
Control de soporte  
Contrôle Bracket
19. **Burner Control Knob**  
Perilla de control del quemador  
Bouton de commande du brûleur

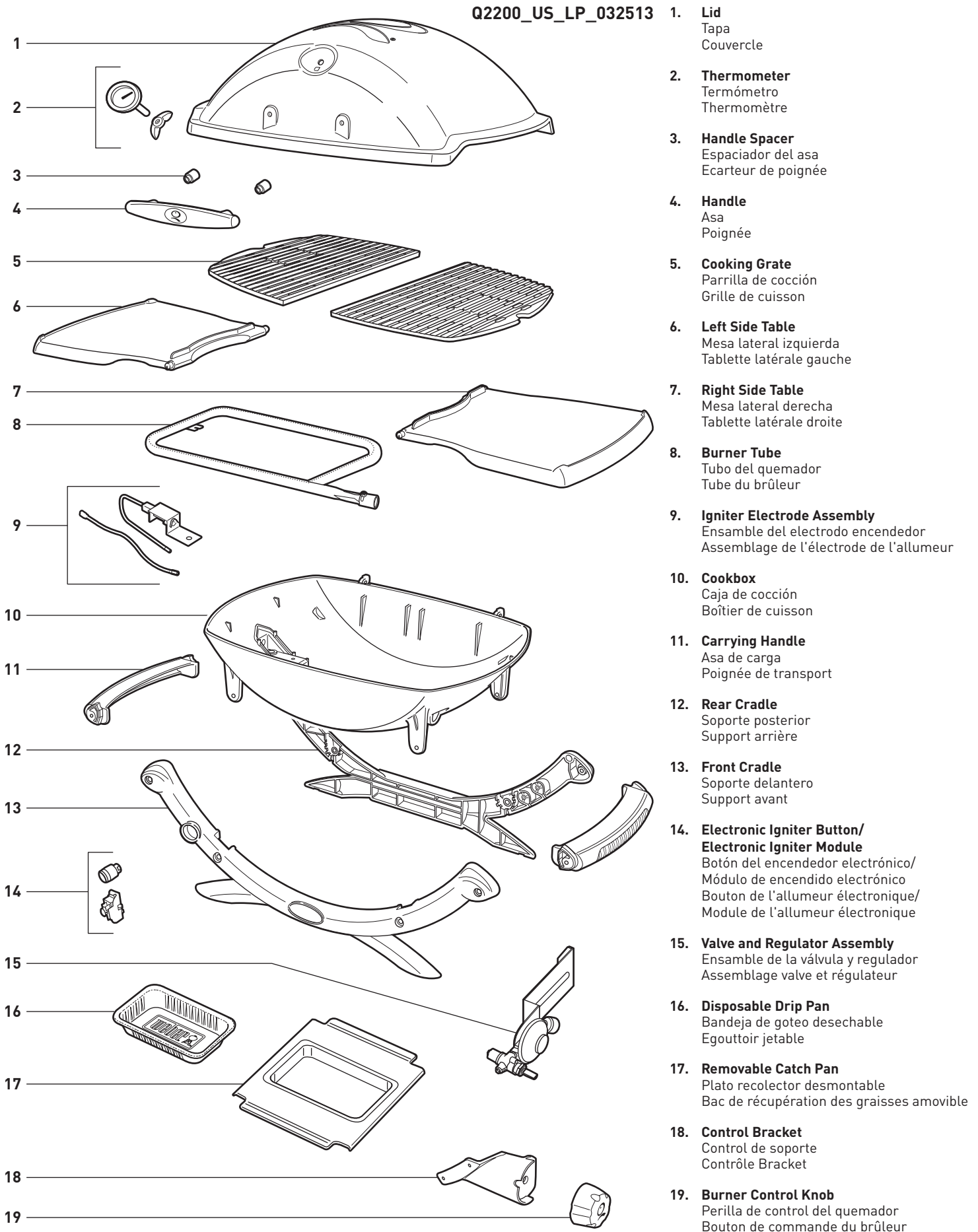
Q2000\_US\_LP\_032513



1. **Lid**  
Tapa  
Couvercle
2. **Handle Spacer**  
Espaciador del asa  
Ecarteur de poignée
3. **Handle**  
Asa  
Poignée
4. **Cooking Grate**  
Parrilla de cocción  
Grille de cuisson
5. **Left Side Table**  
Mesa lateral izquierda  
Tablette latérale gauche
6. **Right Side Table**  
Mesa lateral derecha  
Tablette latérale droite
7. **Burner Tube**  
Tubo del quemador  
Tube du brûleur
8. **Igniter Electrode Assembly**  
Ensamble del electrodo encendedor  
Assemblage de l'électrode de l'allumeur
9. **Cookbox**  
Caja de cocción  
Boîtier de cuisson
10. **Carrying Handle**  
Asa de carga  
Poignée de transport
11. **Rear Cradle**  
Soporte posterior  
Support arrière
12. **Front Cradle**  
Soporte delantero  
Support avant
13. **Push Button Igniter**  
Botón de ignición  
Allumeur à bouton-poussoir
14. **Valve and Regulator Assembly**  
Ensamble de la válvula y regulador  
Assemblage valve et régulateur
15. **Disposable Drip Pan**  
Bandeja de goteo desechable  
Egouttoir jetable
16. **Removable Catch Pan**  
Plato recolector desmontable  
Bac de récupération des graisses amovible
17. **Control Bracket**  
Tablero de control  
Panneau de commande
18. **Burner Control Knob**  
Perilla de control del quemador  
Bouton de commande du brûleur



Q2200\_US\_LP\_032513



## WHAT IS LP GAS?

Liquefied petroleum gas, also called LP, LP gas, liquid propane, or simply propane or butane, is the flammable, petroleum-based product used to fuel your grill. It is a gas at moderate temperatures and pressure when it is not contained. But at moderate pressure inside a container, such as a cylinder, LP is a liquid. As pressure is released from the cylinder, the liquid readily vaporizes and becomes LP gas.

- LP has an odor similar to natural gas. You should be aware of this odor.
- LP is heavier than air. Leaking LP gas may collect in low areas and resist dispersion.

### **⚠ DANGER**

**NEVER store a spare LP cylinder under or near Weber® gas appliances. Failure to follow this statement exactly may result in a fire causing death or serious injury.**

## SAFE HANDLING TIPS FOR LP GAS CYLINDERS

There are various guidelines and safety factors that you need to keep in mind when using LP gas. Carefully follow these instructions before using your Weber® gas grill.

- Do not use a damaged, dented or rusty LP cylinder.
- Handle "empty" LP cylinders with the same care as you handle full cylinders. Even when an LP cylinder is empty of liquid, there may still be gas pressure inside the cylinder.
- LP cylinders should not be dropped or handled roughly.
- Never store or transport the LP cylinder where temperatures can reach 125° F (51.7° C) (the cylinder will become too hot to hold by hand). For example: do not leave the LP cylinder in a car on a hot day.
- LP cylinders must be kept out of reach of children.

## STORAGE AND/OR NONUSE

For grills that have been stored or left unused for a while, it is important to follow these guidelines:

- Disconnect the cylinder if: 1) it is empty; 2) the grill is being stored in a garage or other enclosed area; 3) the grill is being transported.
- Place dust cap on cylinder valve outlet when cylinder is not in use.
- Do not store a disconnected LP cylinder in a building, garage, or any other enclosed area.
- The Weber® gas grill should be checked for gas leaks and any obstructions in the burner tube before it is used. (Refer to "CHECKING FOR GAS LEAKS" and "ANNUAL MAINTENANCE.")
- Check that the areas under the cookbox and the removable catch pan are free from debris that might obstruct the flow of combustion or ventilation air.
- The spider/insect screen should also be checked for any obstructions. (Refer to "ANNUAL MAINTENANCE.")

## US INSTALLATION CODES

Installation must conform with local codes or, in the absence of local codes, with the latest edition of the National Fuel Gas Code, ANSI Z223.1/NFPA 54.

## CANADIAN INSTALLATION CODES

These instructions, while generally acceptable, do not necessarily comply with the Canadian installation codes, particularly with piping above and below ground. In Canada, the installation of this appliance must comply with local codes and/or the latest edition of Standard CAN/CSA-B149.2 (Propane Storage and Handling Code).

*NOTE: Your retailer can help you match a replacement cylinder to your grill.*

## REGULATOR CONNECTIONS

Your Weber® gas grill is equipped with a pressure regulator, which is a device to control and maintain uniform gas pressure as gas is released from the LP cylinder. Each Weber® pressure regulator is designed for vapor withdrawal.

- The pressure regulator supplied with the Weber® gas grill must be used. This regulator is set for 11 inches of water column pressure.

## FUELING YOUR GRILL

Before using your grill for the first time, you need to purchase an LP cylinder. You may choose to purchase a spare LP cylinder so that you don't run out of fuel in the middle of cooking a meal.

## INSTALLING THE LP CYLINDER

Use disposable LP cylinders with a capacity of either 14.1 oz. or 16.4 oz. equipped with a CGA #600 connection.

**⚠ CAUTION: Use cylinders that are marked "Propane Fuel" only.**

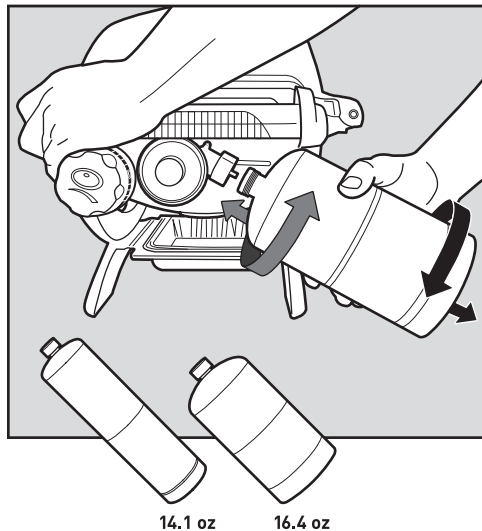
- Make sure burner control knob is turned off by pushing it in and turning it clockwise to the off (O) position.
- While holding carrying handle closest to propane cylinder with one hand, push propane cylinder into regulator and turn clockwise until tight (1).

**⚠ WARNING: Do not use a wrench to tighten the connection. Using a wrench could damage the regulator coupling and could cause a leak.**

## REMOVING THE LP CYLINDER

When your LP cylinder needs to be replaced, follow these instructions to remove it.

- Make sure burner control knob is turned off by pushing it in and turning it clockwise to the off (O) position.
- While holding carrying handle closest to propane cylinder with one hand, unscrew propane cylinder from regulator.



## WHAT IS A LEAK CHECK?

The fuel system in your grill features connections and fittings. A leak check is a reliable way to make sure that no gas is escaping from any of the connections or fittings.

Although all factory-made connections have been thoroughly checked for gas leaks, it's important to perform a leak check before using your grill for the first time, as well as anytime you disconnect and reconnect a fitting and each time you perform routine maintenance.

### ⚠ DANGER

Do not use an open flame to check for gas leaks. Be sure there are no sparks or open flames in the area while you check for leaks. Sparks or open flames will result in a fire or explosion, which can cause serious bodily injury or death and damage to property.

- ⚠ **WARNING:** The gas connections of your gas grill have been factory tested. We do, however, recommend that you leak check all gas connections before operating your gas grill.
- ⚠ **WARNING:** Perform these leak checks even if your grill was dealer or store assembled.
- ⚠ **WARNING:** You should check for gas leaks every time you disconnect and reconnect a gas fitting.

*NOTE: All factory-made connections have been thoroughly checked for gas leaks and the burner has been flame-tested. As a safety precaution, however, you should check all fittings for leaks before using your Weber® gas grill. Shipping and handling may loosen or damage a gas fitting.*

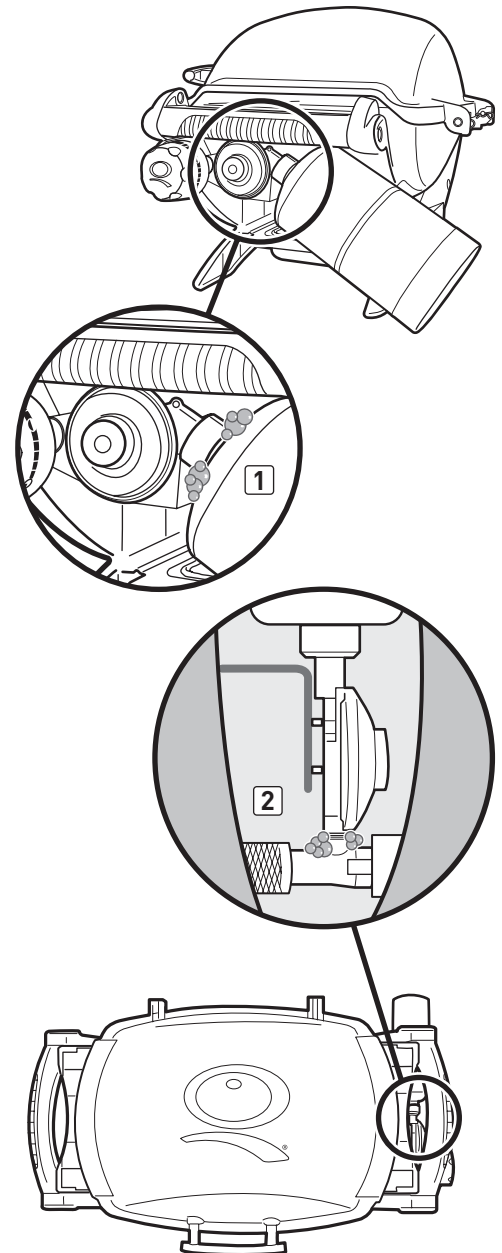
## CHECKING FOR GAS LEAKS

You will need: A spray bottle or brush or rag and a soap and water solution. (You can make your own soap and water solution by mixing 20% liquid soap with 80% water; or, you can purchase leak check solution in the plumbing section of any hardware store.)

- A) Make sure burner control knob is turned off by pushing it in and turning it clockwise to the off (O) position.
- ⚠ **WARNING: Do not ignite burner when leak checking.**
- B) To check for leaks, wet fittings with the soap and water solution, using a spray bottle, brush or rag. If bubbles form, or if a bubble grows, there is a leak. Apply the soap and water solution to the following connections:
  - a) Regulator-to-cylinder connection (1).
  - ⚠ **WARNING: If there is a leak at connection (1), remove propane cylinder. DO NOT OPERATE THE GRILL. Install a different propane cylinder and recheck for leaks with soap and water solution. If a leak persists after installing a different propane cylinder, remove propane cylinder. DO NOT OPERATE THE GRILL. Contact the Customer Service Representative in your area using the contact information on our web site. Log onto [www.weber.com](http://www.weber.com)®.**
  - b) Valve-to-regulator connection (2).
  - ⚠ **WARNING: If there is a leak at connection (2), remove propane cylinder. DO NOT OPERATE THE GRILL. Contact the Customer Service Representative in your area using the contact information on our web site. Log onto [www.weber.com](http://www.weber.com)®.**
- C) When leak checking is complete, rinse connections with water.

*NOTE: Since some leak test solutions, including soap and water, may be slightly corrosive, all connections should be rinsed with water after checking for leaks.*

Now you are ready to use your grill.



# SAFETY CHECKS BEFORE USING YOUR GRILL

## SAFETY FIRST

It's a good idea to get in the habit of performing a few safety checks before grilling.

**Safety must be considered when you are deciding where to place and operate your grill. Be sure to read the following warnings before installing or using your grill.**

### WARNINGS:

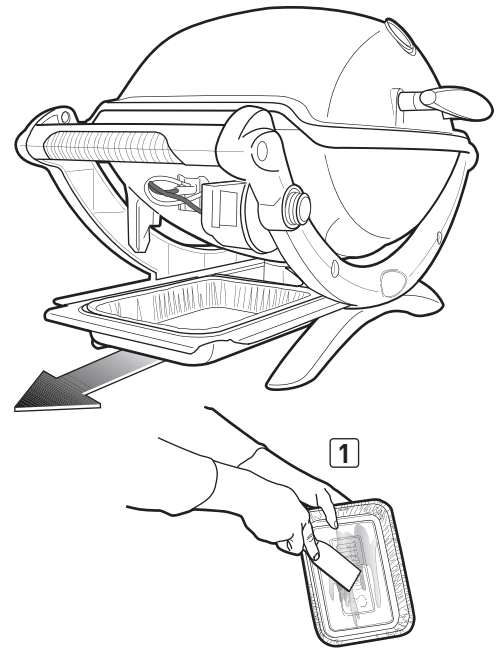
- ⚠ Only use this grill outdoors in a well-ventilated area. Do not use in a garage, building, breezeway or any other enclosed area.
- ⚠ Your Weber® gas grill shall not be used beneath overhead combustible construction.
- ⚠ Your Weber® gas grill is not intended to be installed in or on recreational vehicles and/or boats.
- ⚠ Keep the cooking area clear of flammable vapors and liquids such as gasoline, alcohol, etc., and combustible materials.
- ⚠ The entire cookbox gets hot when in use. Do not touch.
- ⚠ Do not move the Weber® gas grill when operating or while grill is hot.
- ⚠ When cooking, the appliance must be on a level, stable surface in an area clear of combustible material. An asphalt surface (blacktop) may not be acceptable for this purpose.

## REMOVABLE CATCH PAN AND DISPOSABLE DRIP PAN

Your grill was built with a grease collection system, which funnels grease away from food and into a removable catch pan. For your convenience, you can also line the removable catch pan with a Weber® disposable drip pan, which will help keep the removable catch pan cleaner longer.

Cleaning the removable catch pan is just as important as cleaning the cookbox. Check the removable catch pan for grease build-up each time you use your grill. Remove excess grease with a plastic scraper (1). Wash the removable catch pan with warm, soapy water and rinse with water.

- ⚠ **WARNING:** Check the removable catch pan or disposable drip pan for grease build-up before each use. Remove excess grease to avoid a grease fire. A grease fire can cause serious bodily injury or damage to property.
- ⚠ **CAUTION:** Do not line the cookbox, removable catch pan or disposable drip pan with aluminum foil.



## TIPS &amp; HINTS

- Always preheat the grill before cooking. Set burner(s) on high heat and close lid; preheat for 10 to 15 minutes.
- The temperature of your gas grill may run hotter than normal for the first few uses.
- Recipe grilling times are based on outside temperatures of 70°F (21°C) and little or no wind. Allow for more cooking time on cold or windy days, or at higher altitudes. Allow for less cooking time in extremely hot weather.
- Grilling conditions may require adjustment of the burner control knobs to attain the correct cooking temperatures.
- Sear meats and cook with the lid down for perfectly grilled food every time.
- Crowding food onto a cooking grate means more time will be required to cook the food.
- Trim excess fat from steaks, chops, and roasts, leaving no more than a scant ¼ inch (6.4 mm) of fat. Less fat makes cleanup easier, and is a virtual guarantee against unwanted flare-ups.
- In general, large pieces of meat will require more cooking time per pound (kilo) than small pieces of meat.
- Some foods, such as a casserole or thin fish fillets, will require a container for grilling. Disposable foil pans are very convenient, but any metal pan with ovenproof handles can also be used.
- Foods in containers, such as baked beans, will require more time if grilled in a deep casserole than in a shallow baking pan.
- Use tongs rather than a fork for turning and handling meats to avoid losing natural juices. Use two spatulas for handling large whole fish.
- Always be sure the cookbox and removable catch pan are clean and free from debris.
- Do not line the cookbox with foil. This could prevent the grease from flowing into the removable catch pan.
- If an unwanted flare-up should occur, turn burner(s) off and move food to another area of the cooking grate. Any flames will quickly subside. After flames subside, relight the grill. NEVER USE WATER TO EXTINGUISH FLAMES ON A GAS GRILL.
- Using a timer will help to alert you when “well done” is about to become “overdone.”
- A light coating of oil will help brown your food evenly and keep it from sticking to the cooking grate. Always brush or spray oil onto your food, not directly onto the cooking grate.
- When using a marinade, sauce or glaze with a high sugar content or other ingredients that burn easily, only brush it onto the food during the last 5 to 10 minutes of barbecuing.

## PREHEATING

Preheating the grill before grilling is important. To preheat: Light your grill according to the instructions in this Owner's Guide; then turn burner(s) to start/high (†) position, close the lid, and preheat grill. This will take 10 to 15 minutes depending on conditions such as air temperature and wind. After preheating, you can adjust the burner(s) as desired.

**⚠ WARNING: Should the burner(s) go out while grill is in operation, turn all gas valves off. Open the lid and wait five minutes before attempting to relight grill, using the igniting instructions.**

## COVERED COOKING

All grilling is done with the lid down to provide uniform, evenly circulated heat. With the lid closed, the gas grill cooks much like a convection oven. The thermometer in the lid, a feature on some of our grills, indicates the cooking temperature inside the grill. All preheating and grilling is done with the lid down. No peeking — heat is lost every time you lift the lid.

## GREASE COLLECTION SYSTEM

Unique cooking grate design features angled, cast-iron rails that deflect drippings away from the burner tube(s), preventing flare-ups that can char food. The remaining drippings flow into a removable catch pan that slides out for easy cleaning.

For more grilling tips and recipes, visit [www.weber.com](http://www.weber.com).

## METHODS OF BURNER IGNITION

There are two ways to ignite the burner. The first is by using the ignition system built into your grill. The second is with a match.

Next are the steps for igniting your grill using the ignition system. On the following page are steps for igniting your grill with a match.

Summary lighting instructions are on the right fold-out table (Q® 1200, Q® 2000, Q® 2200).

### BURNER IGNITION

A) Open the grill lid (1).

#### ⚠ DANGER

**Failure to open the lid before igniting the grill's burner, or not waiting five minutes to allow the gas to clear if the grill does not light, may result in an explosive flare-up which can cause serious bodily injury or death.**

- B) Unfold the side tables (2) (Q® 1200, Q® 2000, Q® 2200).  
 C) Make sure the burner control knob is turned to the off (O) position (3). Check by pushing burner control knob in and turning it clockwise until it stops.  
 D) Confirm that the cylinder is properly installed. Refer to "INSTALLING THE LP CYLINDER."  
 E) Push burner control knob in and turn it counterclockwise to start/high (H) position (4).  
 F1) Push the red igniter button several times, so it clicks each time (5) (Q® 1000, Q® 2000).

OR

- F2) Push and hold in the electronic igniter button (6) (Q® 1200, Q® 2200). You will hear the igniter clicking.  
 G) Check that the burner is lit by looking through the cooking grates. You should see a flame.

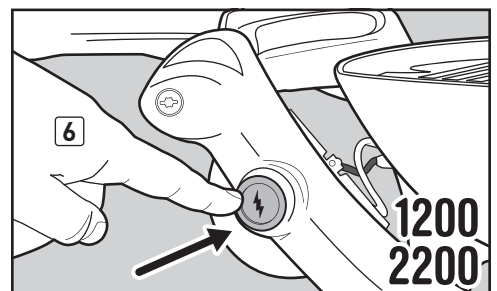
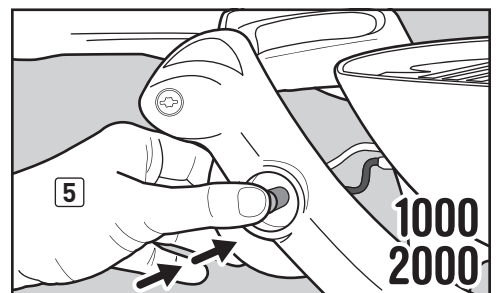
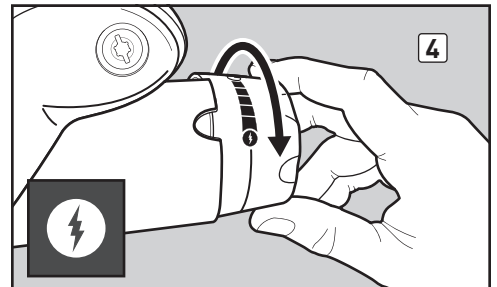
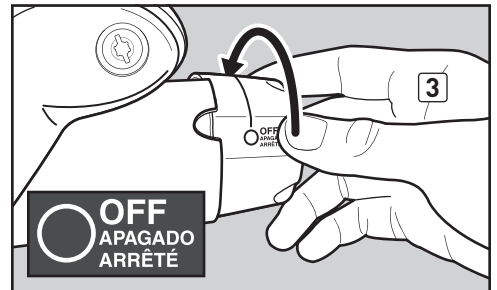
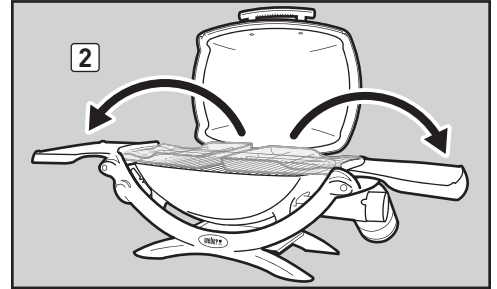
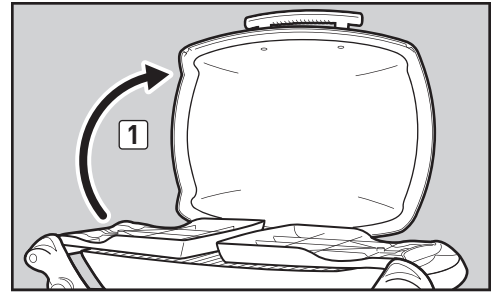
⚠ **WARNING: Do not lean over the open grill while igniting.**

⚠ **WARNING: If burner fails to ignite within five seconds, stop, turn the burner control knob to off and wait five minutes to allow the gas to clear before you try again or light with a match.**

### TO EXTINGUISH BURNER

Push burner control knob in and turn it clockwise to the off (O) position.

⚠ **CAUTION: Do not fold in side tables until grill is cold (Q® 1200, Q® 2000, Q® 2200).**



Some batteries have a plastic protective wrap around them. This plastic must be removed before you attempt to ignite your grill. Do not confuse this plastic with the battery label.

# BURNER IGNITION & USAGE

## BURNER IGNITION – Lighting with a Match

A) Open the grill lid (1).

### **⚠ DANGER**

**Failure to open the lid before igniting the grill's burner, or not waiting five minutes to allow the gas to clear if the grill does not light, may result in an explosive flare-up which can cause serious bodily injury or death.**

B) Unfold the side tables (2) (Q® 1200, Q® 2000, Q® 2200).

C) Make sure the burner control knob is turned to the off (O) position (3). Check by pushing burner control knob in and turning it clockwise until it stops.

D) Confirm that the cylinder is properly installed. Refer to "INSTALLING THE LP CYLINDER."

E) Strike a match and put the flame under the matchlight hole (4). While holding lit match, push burner control knob in and turn it counterclockwise to start/high (⚡) position (5).

F) Check that the burner is lit by looking through the cooking grates (6). You should see a flame.

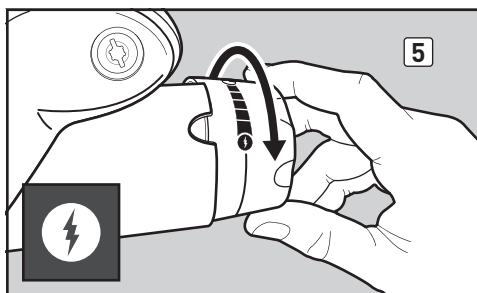
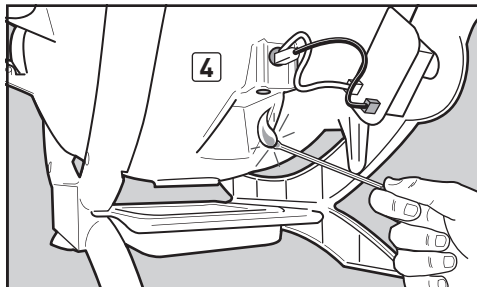
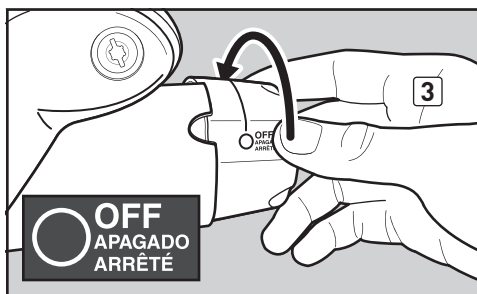
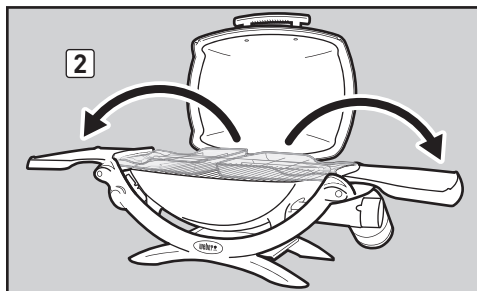
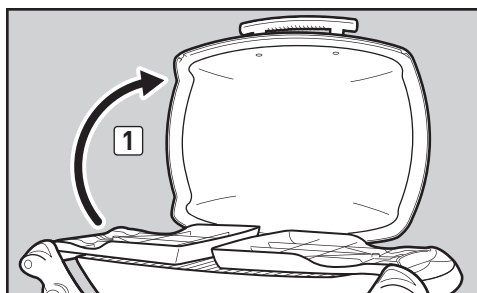
**⚠ WARNING: Do not lean over the open grill while igniting. Keep your face and body at least 12 in (30 cm) away from the matchlight hole when lighting the grill.**

**⚠ WARNING: If the burner fails to ignite within five seconds, stop, turn the burner control knob to off and wait five minutes to allow the gas to clear before you try again.**

### TO EXTINGUISH BURNER

Push burner control knob in and turn it clockwise to the off (O) position.

**⚠ CAUTION: Do not fold in side tables until grill is cold (Q® 1200, Q® 2000, Q® 2200).**



# TROUBLESHOOTING

PROBLEMS	SOLUTIONS
<p><b>Burner does not ignite when you push the igniter button.</b></p>	<p>Be sure that there is gas flow to the burner by attempting to match light your burner. Refer to "BURNER IGNITION—Lighting with a Match." If match lighting is successful, the problem lies in the ignition system. Refer to "MAINTAINING THE PUSH BUTTON IGNITION SYSTEM (Q® 1000 &amp; Q® 2000)" or "MAINTAINING THE ELECTRONIC IGNITION SYSTEM (Q® 1200 &amp; Q® 2200)."</p> <p>Be sure that wires are correctly inserted into terminals on igniter electrode assembly. Check that the wires are connected to terminals on the push button igniter (Q® 1000 &amp; Q® 2000) or the electronic igniter module (Q® 1200 &amp; Q® 2200). Refer to "MAINTAINING THE PUSH BUTTON IGNITION SYSTEM (Q® 1000 &amp; Q® 2000)" or "MAINTAINING THE ELECTRONIC IGNITION SYSTEM (Q® 1200 &amp; Q® 2200)."</p> <p>If a new battery is installed, confirm that battery's plastic wrapping has been removed. Verify that the battery is in good condition and has been installed correctly. Refer to "MAINTAINING THE ELECTRONIC IGNITION SYSTEM (Q® 1200 &amp; Q® 2200)."</p>
<p><b>Burner does not ignite, or flame is low when burner control knob is on high (H) position.</b></p>	<p>LP fuel could be low or empty. Replace LP cylinder. Refer to "REMOVING THE LP CYLINDER."</p>
<p><b>Burner flame pattern is erratic.</b>  <b>Flame is low when burner control knob is on high (H) position.</b>  <b>Flames do not run the whole length of the burner tube.</b></p>	<p>Clean burner ports that run down the entire length of burner tube. Refer to "ANNUAL MAINTENANCE."</p>
<p><b>Burner burns with a yellow or orange flame, in conjunction with the smell of gas.</b></p>	<p>Inspect spider/insect screen for possible obstructions. (Blockage of holes.) Clean spider/insect screen. Refer to "ANNUAL MAINTENANCE."</p>
<p><b>Experiencing flare-ups.</b></p>	<p>Grill must be preheated with burner on high for 10 to 15 minutes.</p>
<p><b>⚠ CAUTION: Do not line the cookbox with aluminum foil.</b></p>	<p>Clean the cooking grates thoroughly to remove grease. Refer to "CLEANING THE INSIDE OF THE GRILL."</p> <p>The cookbox may be dirty and is not allowing grease to flow into removable catch pan. Clean cookbox. Refer to "CLEANING THE INSIDE OF THE GRILL."</p>
<p><b>Inside of lid appears to be "peeling."          (Resembles paint peeling.)</b></p>	<p>The inside of the lid is cast aluminum. It is not painted. It cannot "peel." What you are seeing is baked-on grease that has turned to carbon and is flaking off. <b>THIS IS NOT A DEFECT.</b> Clean thoroughly. Refer to "CLEANING THE INSIDE OF THE GRILL."</p>

If problems cannot be corrected by using these methods, please contact the Customer Service Representative in your area using the contact information on our web site. Log onto [www.weber.com](http://www.weber.com).



# ANNUAL MAINTENANCE

## KEEPING YOUR WEBER® GRILL IN TIP-TOP SHAPE

### ⚠ DANGER

Failure to correct any problems described on this page may result in a fire, which can cause serious bodily injury or death, and cause damage to property.

To keep your Weber® gas grill performing as safely and efficiently as on day one, we strongly recommend that you inspect and clean the spider/insect screen(s) and burner tube(s) at least once a year. Below is important information about these two areas of the grill that should undergo annual maintenance.

If you observe an incorrect flame pattern or blocked burner port, proceed to the “**BURNER TUBE CLEANING OR REPLACEMENT**” instructions on the following page.

### BURNER FLAME PATTERN

The burner tube(s) in your Weber® gas grill was/were factory set for the correct air and gas mixture. The correct flame pattern is shown in illustration and described below:

- Burner tube(s) **(1)**
- Tips occasionally flicker yellow **(2)**
- Light blue **(3)**
- Dark blue **(4)**

Check burner flame pattern. If the flames do not match the above description, it could be an indication that the spider/insect screen(s) has/have become dirty or blocked.

### WEBER® SPIDER/INSECT SCREEN(S)

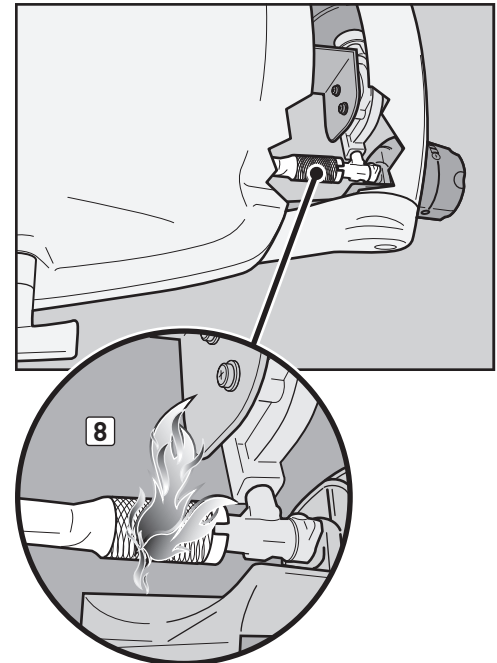
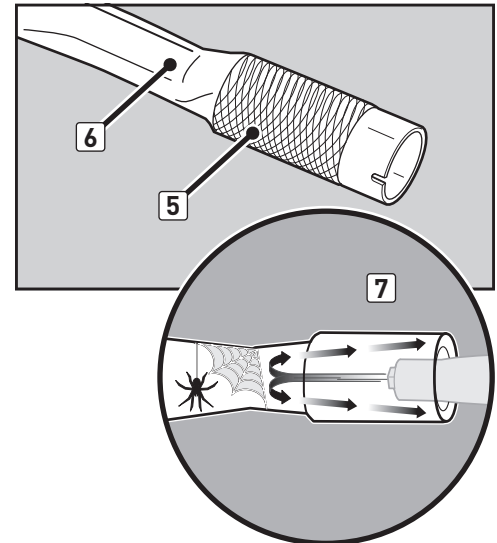
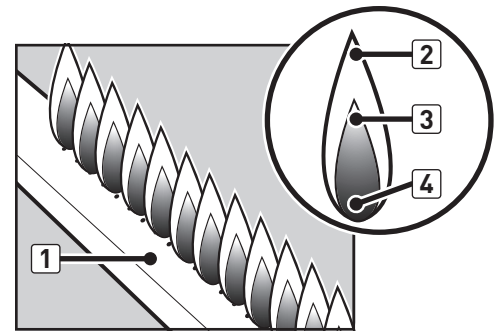
The combustion air opening(s) of the burner tube(s) **(5)** is/are fitted with stainless steel screen(s) to help prevent spiders and other insects from spinning webs and building nests inside the venturi section **(6)** of the burner tube(s). These nests can obstruct the normal gas flow, and can cause gas to flow back out of the combustion air opening(s) **(7)**. Symptoms of this kind of obstruction include the odor of gas in conjunction with burner flames that appear yellow and lazy. This obstruction could result in a fire **(8)** in and around the gas valve(s), causing serious damage to your grill.

*NOTE: If a spider/insect screen becomes damaged or cannot be cleaned, please contact the Customer Service Representative in your area using the contact information on our web site. Log onto [www.weber.com](http://www.weber.com).*

### BURNER TUBE PORTS

Over time, from repeated use of the grill, the burner tube ports will become dirty. Blocked and dirty ports can restrict full gas flow. Following are ways to determine whether burner tube ports are dirty or blocked.

- Grill does not reach desired temperature
- Grill heats unevenly
- One or more of the burner(s) do not ignite



# ANNUAL MAINTENANCE

## BURNER TUBE CLEANING OR REPLACEMENT

### Confirm that Grill Is Off and Cool

- A) Check that the burner control knob is in the off (O) position. Check by pushing burner control knob in and turning it clockwise until it stops.
- B) Disconnect the LP cylinder.
- C) Remove the lid.
- D) Remove cooking grates.

### Remove Burner Tube

You will need: A 3/8" nut driver.

- A) Remove the screw that holds the burner tube to the cookbox (1).
- B) Carefully slide the burner tube out from the cookbox (2).

### Clean Burner Tube

You will need: A flashlight, a wire (a straightened-out coat hanger), a suitable stainless steel bristle brush, and a soft bristle brush (toothbrush).

- A) Look inside the burner tube with a flashlight (3).
- B) Clean any debris or blockage from the inside of the burner tube with the wire (4).
- C) Check spider/insect screen at the end of the burner tube and clean it using the soft bristle brush (5).

⚠ **CAUTION: Do not clean the spider/insect screen with hard or sharp tools. Do not dislodge the spider/insect screen or enlarge the screen openings.**

- D) Use the steel bristle brush to clean the outside of the burner tube. This is done to make sure all burner ports (openings) running along the length of the tube are fully open (6).

⚠ **CAUTION: Do not enlarge the burner ports when cleaning.**

### Reinstall Burner Tube

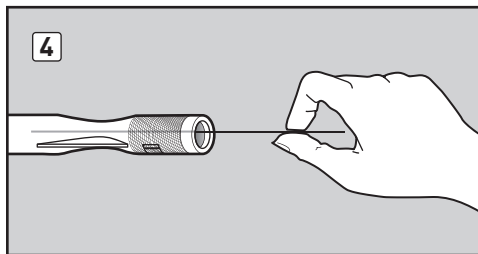
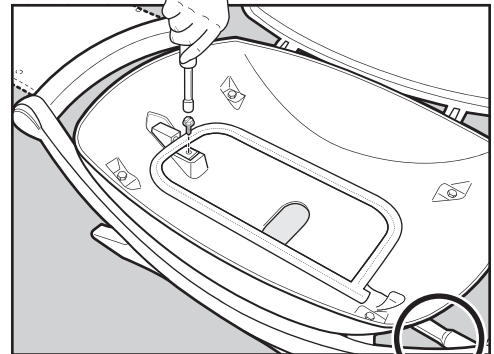
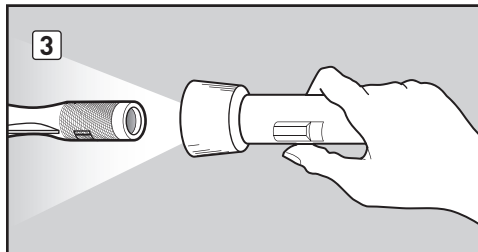
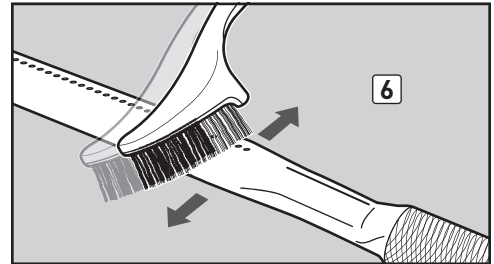
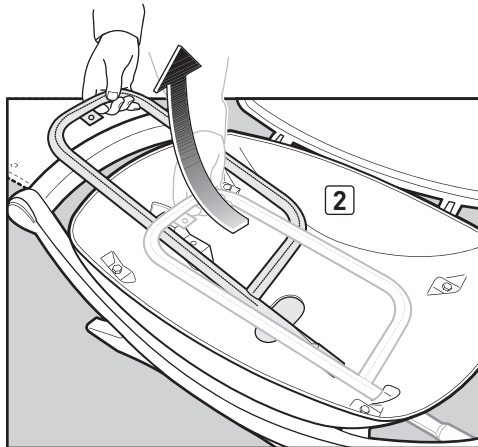
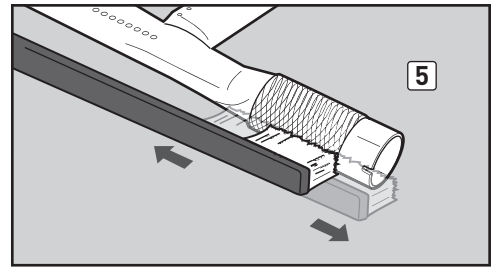
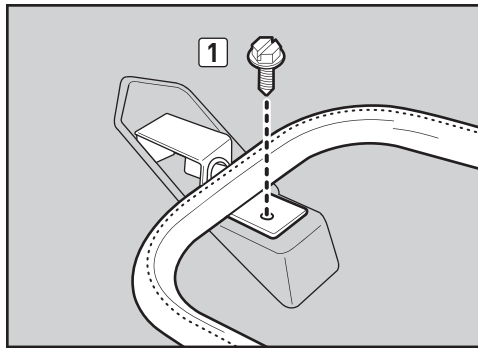
You will need: A 3/8" nut driver.

- A) Carefully slide the burner tube back into hole in right side of cookbox, aligning burner tube opening with valve orifice.
- B) Reinstall screw that holds the burner tube to the cookbox.

⚠ **CAUTION: The burner tube opening (7) must be positioned properly over the valve orifice (8).**

⚠ **WARNING: You should check for gas leaks every time you disconnect and reconnect a gas fitting. Refer to "CHECKING FOR GAS LEAKS."**

- C) Reinstall the lid.
- D) Replace cooking grates.



## BEAUTIFUL— INSIDE AND OUT

Weber® grill owners take a lot of pride in their grills. Flaunt your pride and joy. Keep your grill clean and beautiful—inside and out—by following these routine maintenance steps.

### CLEANING THE OUTSIDE OF THE GRILL

To keep the outside of your grill looking its best, use the following guidelines for safe cleaning.

**⚠ WARNING: Turn your Weber® gas grill off and wait for it to cool before cleaning it.**

#### Painted, Enameled and Plastic Surfaces

Use a warm, soapy water solution to clean outside surfaces; then rinse with water.

**IMPORTANT: Do not use cleaners that contain acid, mineral spirits, or xylene. Do not use oven cleaner, abrasive cleansers (kitchen cleansers), cleaners that contain citrus products, or abrasive cleaning pads on grill or cart surfaces.**

**Fold-out tables (Q® 1200, Q® 2000, Q® 2200) are not to be used as cutting boards.**

### CLEANING THE INSIDE OF THE GRILL

To keep your grill performing safely and efficiently, it is important to remove any debris and excess grease that may have accumulated on the inside of the grill. Use the following guidelines for safe cleaning.

#### Inside Lid

Flaking, built-up grease resembles paint flakes. Wipe inside of lid with paper towel to prevent grease build-up. Wash inside lid with warm, soapy water; then rinse with water.

#### Cookbox Components & Burner Tube

You will need: A stainless steel bristle brush, and a stiff plastic scraper.

A) Scrape and brush the cooking grates with the scraper and brush. Remove the cooking grates and set aside.

**⚠ CAUTION: Grill brushes should be checked for loose bristles and excessive wear on a regular basis. Replace brush if any loose bristles are found on cooking grates or brush. Weber recommends purchasing a new stainless steel grill brush at the beginning of every spring.**

**⚠ CAUTION: Do not clean cooking grates in a self-cleaning oven.**

B) Brush any debris off of burner tube. Do not enlarge burner ports (openings) running along length of burner tube **(1)**.

C) When cleaning is complete, replace the cooking grates.

#### Cookbox

Wash inside of cookbox with warm, soapy water; then rinse with water.

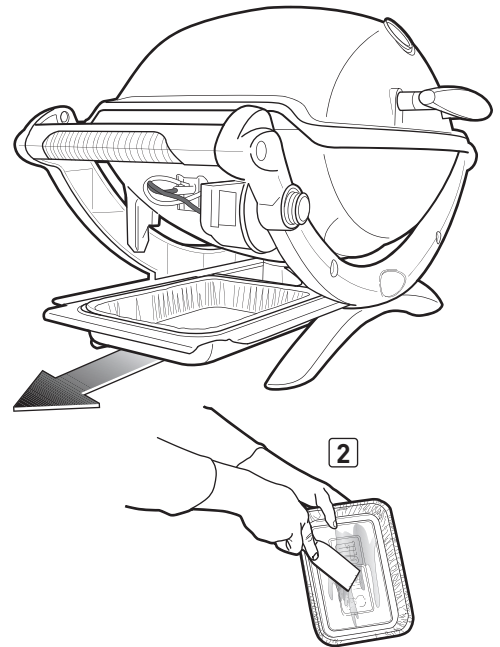
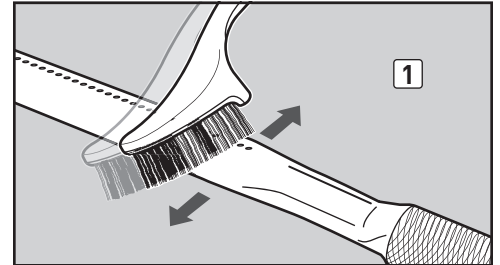
#### Removable Catch Pan and Disposable Drip Pan

Your grill was built with a grease collection system, which funnels grease away from food and into a removable catch pan. For your convenience, you can also line the removable catch pan with a Weber® disposable drip pan, which will help keep the removable catch pan cleaner longer.

Cleaning the removable catch pan is just as important as cleaning the cookbox. Check the removable catch pan for grease build-up each time you use your grill. Remove excess grease with a plastic scraper **(2)**. Wash the removable catch pan with warm, soapy water and rinse with water.

**⚠ WARNING: Check the removable catch pan or disposable drip pan for grease build-up before each use. Remove excess grease to avoid a grease fire. A grease fire can cause serious bodily injury or damage to property.**

**⚠ CAUTION: Do not line the cookbox, removable catch pan or disposable drip pan with aluminum foil.**



# ROUTINE MAINTENANCE

## IGNITION SYSTEM OPERATIONS

The igniter supplies a spark to the igniter electrode assembly. Whether you are performing routine maintenance or a troubleshooting check on the ignition system, read the following to keep your ignition system working properly.

**⚠ WARNING: All gas controls and supply valves should be in the OFF position.**

If the igniter fails to ignite your Q® grill, you will need to pinpoint where the problem is occurring: with the gas flow or with the ignition system. Begin by attempting to match light your burner. Refer to "BURNER IGNITION—Lighting with a Match." If match lighting is successful, the problem lies in the ignition system.

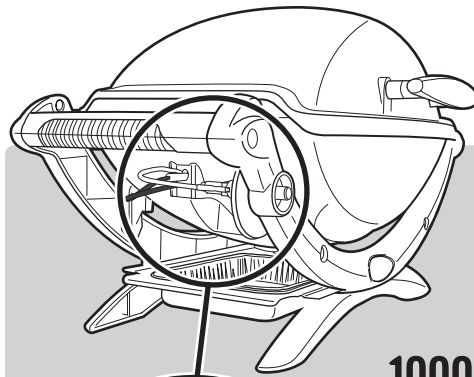
## MAINTAINING THE PUSH BUTTON IGNITION SYSTEM (Q® 1000 & Q® 2000)

- Check that both the white (1) and black (2) ignition wires are attached properly.
- Verify that the igniter button pushes in, clicks and returns to the out position.

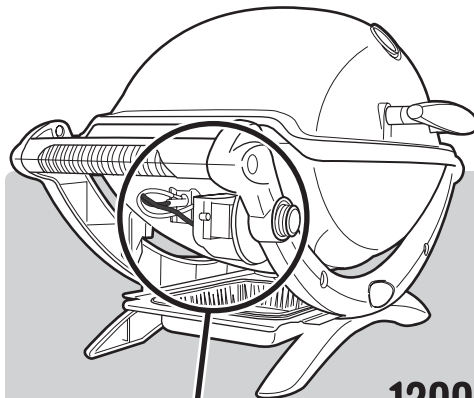
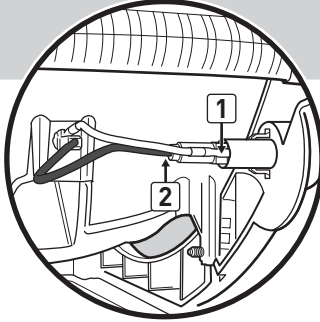
## MAINTAINING THE ELECTRONIC IGNITION SYSTEM (Q® 1200 & Q® 2200)

- Verify that the AAA battery (alkaline only) is in good condition and is installed correctly (3). Some batteries have a plastic protective wrap around them. This plastic must be removed before installing battery. Do not confuse this plastic with the battery label.
- Make sure that both igniter wires are properly attached to the igniter module. Black wire to black terminal (4), white wire to white terminal (5).
- Make sure the electronic igniter button is working by listening for clicking and looking for sparks at burner.

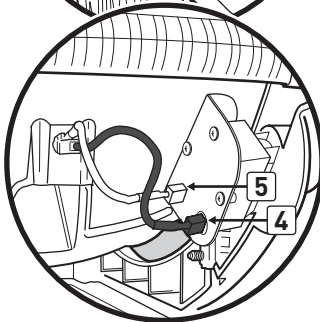
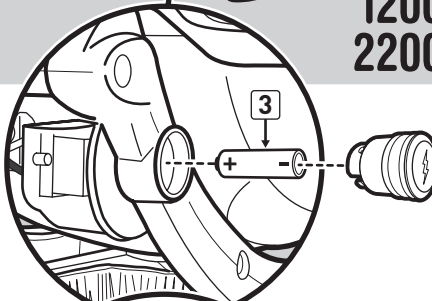
If the electronic ignition system still fails to ignite, contact the Customer Service Representative in your area using the contact information on our web site. Log onto [www.weber.com](http://www.weber.com).



1000  
2000



1200  
2200



To obtain replacement disposable drip pans and cooking grates, contact the local retailer in your area or log onto [www.weber.com](http://www.weber.com). If you need further assistance, contact your Customer Service Representative.







1000 1200 2000 2200

# GUÍA DEL PROPIETARIO DE LA BARBACOA DE GAS PROPANO LICUADO

Ensamblaje - Pg. 4



Gracias por su compra de una barbacoa Weber.® Ahora tómese unos minutos y protéjala registrando su producto en línea en [www.weber.com](http://www.weber.com).®

## ⚠ PELIGRO

Si huele a gas:

- 1) Cierre el suministro de gas al artefacto.
- 2) Apague todas las flamas cerrando la valvula general de paso.
- 3) Abra la tapa.
- 4) Si el olor continuase, alejese del artefacto e inmediatamente llame a su proveedor de gas o al cuerpo de bomberos.

El no acatar estas instrucciones pudiera resultar en un fuego o explosión, que pudieran causar daños materiales, lesiones personales o la muerte.

## ⚠ PELIGRO

- 1) Nunca permita que este artefacto funcione desatendido.
- 2) Nunca ponga a funcionar este artefacto a menos de 10 pies (3 m) de cualquier estructura, material combustible u otro cilindro de gas.
- 3) Nunca ponga a funcionar este artefacto a menos de 25 pies (7.5 m) de cualquier líquido inflamable.
- 4) Si llegase a presentarse un incendio, aléjese del artefacto e inmediatamente llame al cuerpo de bomberos. No intente de extinguir un fuego de aceite o grasa con agua.

El no acatar estas instrucciones podría resultar en un fuego, explosión o peligro de quemadura, que podrían causar daños materiales, lesiones personales o la muerte.

Este manual de instrucciones contiene información importante necesaria para el ensamble correcto y seguro de este artefacto.

Lea y acate todas las advertencias e instrucciones antes de ensamblar y utilizar el artefacto.

Al utilizar este artefacto, acate todos las advertencias y siga las instrucciones.

Guarde este manual para futuras consultas.

Antes de poner a funcionar la asador, siga cuidadosamente todos los procedimientos en este manual para verificar que no existan fugas. Haga esto aun y cuando la asador haya sido ensamblada por el distribuidor.

No encienda este artefacto sin primero leer las secciones de encendido del quemador de este manual.

**ESTE ARTEFACTO A GAS ESTÁ DISEÑADO PARA USARSE SOLAMENTE AL AIRE LIBRE.**



57503

ESNA - SPANISH

# ADVERTENCIAS

## ⚠ PELIGRO

El hacer caso omiso de los avisos de PELIGROS, ADVERTENCIAS y PRECAUCIONES contenidos en esta Guía del Propietario podría resultar en lesiones corporales serias o la muerte, o en un fuego o explosión que causase daños materiales.

## ADVERTENCIAS:

- ⚠ No use esta barbacoa a menos que todas sus partes estén instaladas en su debido lugar. La barbacoa debe ensamblarse correctamente de acuerdo a las instrucciones de ensamblaje.
- ⚠ La barbacoa de gas Weber® nunca deberá ser usada por niños. Partes accesibles de la barbacoa podrían estar muy calientes. Mientras se esté usando, mantenga a niños pequeños y mascotas alejados de la barbacoa.
- ⚠ Esta barbacoa de gas Weber® no es apta para uso comercial.
- ⚠ Esta barbacoa de gas Weber® no está diseñada para usarse ni jamás deberá usarse como un calentador.
- ⚠ Tenga cuidado al usar la barbacoa de gas Weber®. Estará caliente mientras se cocina en ella o se limpia, y nunca deberá dejarse desatendida ni moverse mientras esté funcionando.
- ⚠ No use carbón o piedra pómez en la barbacoa de gas Weber®.
- ⚠ Mientras enciende la barbacoa o cocina, nunca se incline sobre la barbacoa abierta.
- ⚠ Nunca coloque las manos o los dedos sobre el borde delantero de la caja de cocción cuando la barbacoa esté caliente o la tapa esté abierta.
- ⚠ No trate de desconectar el regulador de gas o ninguna conexión de gas mientras la barbacoa esté funcionando.
- ⚠ Mientras opere la barbacoa, utilice guantes resistentes al calor.
- ⚠ Utilice el regulador de presión que viene suministrado con la barbacoa de gas Weber®.
- ⚠ Si llegase a apagarse el quemador, cierre la válvula de gas. Abra la tapa y espere cinco minutos antes de tratar de volver a encender la barbacoa, siguiendo las instrucciones de encendido.
- ⚠ No utilice la barbacoa Weber® Q® dentro de ningún vehículo como tampoco en la zona de almacenaje o de carga de los vehículos, incluyendo autos, camiones, camionetas, mini-vans, vehículos utilitarios deportivos (SUV) o vehículos recreativos.
- ⚠ Nunca coloque el asador sobre una superficie de vidrio o combustible.
- ⚠ No incorpore este modelo de barbacoa como parte integral o deslizante de una construcción. El ignorar esta ADVERTENCIA podría ocasionar un fuego o una explosión que podría causar daños materiales y lesiones corporales graves o la muerte.
- ⚠ No almacene un cilindro de propano licuado desconectado o de repuesto debajo o cerca de esta barbacoa.

- ⚠ Tras haber estado guardada o sin uso por algún tiempo, antes de usar la barbacoa de gas Weber® verifique que no existan fugas de gas o obstrucciones en el quemador. Consulte las instrucciones en esta Guía del Propietario para los procedimientos correctos.
- ⚠ No opere la barbacoa de gas Weber® si hay presente una fuga de gas.
- ⚠ No utilice una llama abierta para comprobar la existencia de fugas de gas.
- ⚠ No ponga una funda de barbacoa o cualquier cosa inflamable sobre la barbacoa mientras la misma esté en funcionamiento o caliente.
- ⚠ El propano licuado no es gas natural. El uso de gas natural en una unidad de propano licuado o viceversa, propano licuado en una de gas natural, es peligroso y anulará la garantía.
- ⚠ Mantenga cualquier cordón eléctrico y a la manguera de suministro de gas alejados de toda superficie caliente.
- ⚠ Al limpiar la válvula o el quemador, no ensanche el orificio de la válvula o las aberturas del quemador.
- ⚠ La barbacoa de gas Weber® deberá limpiarse a fondo con regularidad.
- ⚠ Si usted ve, huele o escucha el silbido de un escape de gas del cilindro de propano líquido:
  1. Apártese del cilindro de propano líquido.
  2. No intente corregir el problema usted mismo.
  3. Llame al cuerpo de bomberos local.
- ⚠ Si la grasa llegase a prenderse, apague el quemador y mantenga la tapa cerrada hasta que se haya apagado el fuego.
- ⚠ El uso de alcohol, medicamentos recetados, medicamentos sin receta o drogas ilegales puede afectar la capacidad del consumidor para armar, mover, almacenar o utilizar el aparato de manera correcta y segura.

## ADVERTENCIAS ADICIONALES PARA EL ESTADO DE CALIFORNIA:

- ⚠ Los subproductos de la combustión producidos al usar este producto contienen sustancias químicas que son conocidas por el Estado de California como causantes de cáncer, defectos de nacimiento u otros daños reproductivos.
- ⚠ Advertencia respecto a la Propuesta 65: El manipular el material de latón en este producto lo expone al plomo, una sustancia química conocida por el estado de California como causante de cáncer, defectos de nacimiento u otros daños reproductivos. (Lávese las manos después de manipular este producto.)



Gracias por su compra del producto WEBER®. Weber-Stephen Products LLC ("Weber") se enorgullece de entregar un producto seguro, durable y confiable.

Esta es la Garantía Limitada Weber proporcionada sin costo adicional. Contiene la información que tendrá que tener para que su producto WEBER® se repare en el raro caso de un falla o defecto.

## RESPONSABILIDADES DE WEBER

Weber proporciona al comprador original del producto WEBER® (o en caso de una situación de regalo o promocional, la persona para la cual se compró como regalo o promoción), que el producto WEBER® está libre de defectos en materiales y mano de obra por el/los periodo(s) de tiempo especificados a continuación cuando se arma y opera de acuerdo con Guía del Usuario acompañante. (Nota: Si pierde o extravía su Guía del Usuario WEBER®, puede obtener un remplazo en línea en [www.weber.com](http://www.weber.com)). Bajo uso y mantenimiento normal en viviendas o departamentos familiares, Weber está de acuerdo en reparar o reemplazar las partes defectuosas dentro de los periodos de tiempo correspondientes, las limitaciones y exclusiones a continuación. ESTA GARANTÍA LIMITADA SE APLICA SOLO AL COMPRADOR ORIGINAL Y NO ES TRANSFERIBLE A DUEÑOS POSTERIORES, CON EXCEPCIÓN DEL CASO DE REGALOS Y ARTÍCULOS PROMOCIONALES COMO SE INDICÓ ARRIBA.

## RESPONSABILIDADES DEL DUEÑO

Para asegurar una cobertura de garantía sin problemas, es importante que registre su producto WEBER® en línea en [www.weber.com](http://www.weber.com) o a través del Servicio al Cliente de Weber llamando al 1-800-446-1071. Conserve también por favor su recibo o factura de compra original. Al registrar su producto WEBER® confirma su cobertura de garantía y proporciona un enlace directo entre usted y Weber en caso de que necesitamos contactarlo.

El dueño debe tomar cuidado razonable del producto WEBER® y seguir todas las instrucciones de montaje, instrucciones de uso y mantenimiento preventivo como se describe en la Guía del Usuario acompañante. Si usted vive en un área costera o tiene su producto ubicado cerca de una piscina, el mantenimiento incluye el lavado y enjuagado regular de las superficies exteriores como se describe en la Guía del Usuario acompañante. Si usted cree que tiene una pieza que está cubierta por esta Garantía Limitada, contacte por favor al Servicio al Cliente de Weber llamando al 1-800-446-1071 o [support@weberstephen.com](mailto:support@weberstephen.com). Después de una investigación, Weber reparará o reemplazará (a su propia opción) una pieza defectuosa cubierta por esta Garantía Limitada. En el caso en que no sea posible una reparación o mantenimiento, Weber puede escoger (a su propia opción) reemplazar el asador en cuestión con un nuevo asador de igual o mayor valor. Weber puede pedirle que regrese las piezas para su inspección, los cobros por envío deben ser prepagados.

Esta GARANTÍA LIMITADA no cubre daños, deterioro, descoloración y/u oxidación ocasionada por:

- Abuso, falta de uso, alteración, modificación, mal uso, vandalismo, negligencia, montaje o instalación inadecuada y no realizar el mantenimiento normal y de rutina;
- Insectos (como arañas) y roedores (como ardillas), incluyendo más no limitándose a daño a los tubos del quemador y/o las mangueras de gas;
- Exposición a fuentes de aire con alta concentración de sal o cloro como piscinas y jacuzzies/spas;
- Condiciones ambientales severas como granizo, huracanes, terremotos, tsunamis u oleaje, tonados o fuertes tormentas.

El uso y/o instalación de piezas en su producto WEBER® que no son piezas genuinas Weber anulará esta Garantía Limitada, y cualquier otro daño que resulte de los mismos no está cubierto bajo esta Garantía Limitada. Cualquier conversión de un asador de gas no autorizada por Weber y realizada por un técnico de servicio autorizado Weber anulará esta Garantía Limitada.

## PERIODOS DE GARANTÍA DE PRODUCTO

Caja para cocinar: 5 años, sin que atravesase el óxido/quemaduras (2 años para la pintura excluyendo el deterioro o descoloración)

Conjunto de la tapa: 5 años, sin que atravesase el óxido/quemaduras (2 años para la pintura excluyendo el deterioro o descoloración)

Tubos del quemador de acero inoxidable: 5 años, sin que atravesase el óxido/quemaduras

Rejillas para cocinar de hierro vaciado con esmalte de porcelana: 5 años, sin que atravesase el óxido/quemaduras

Componentes plásticos: 5 años, excluyendo el deterioro o descoloración

Todas las partes restantes: 2 años

## DESCARGOS DE RESPONSABILIDADES

WEBER NO HACE GARANTÍAS IMPLÍCITAS INCLUYENDO SIN LIMITACIÓN CUALQUIER GARANTÍA IMPLÍCITA DE COMERCIABILIDAD O APTITUD PARA UN PROPÓSITO EN PARTICULAR, CON EXCEPCIÓN DE LO QUE SE INDICA EXPRESAMENTE EN ESTA GARANTÍA LIMITADA. NINGUNA GARANTÍA SE DEBERÁ APLICAR DESPUÉS DE LOS PERIODOS DE TIEMPO CORRESPONDIENTES DE ESTA GARANTÍA LIMITADA. NINGUNA OTRA GARANTÍA OFRECIDA POR CUALQUIER PERSONA O ENTIDAD, INCLUYENDO UN DISTRIBUIDOR O MINORISTA CON RESPECTO A CUALQUIER PRODUCTO (COMO "GARANTÍAS PROLONGADAS"), DEBERÁN VINCULAR A WEBER. EL REMEDIO EXCLUSIVO DE ESTA GARANTÍA LIMITADA ES LA REPARACIÓN O REPLAZO DE LA PIEZA O PRODUCTO. LAS CONDICIONES DE ESTA GARANTÍA LIMITADA OFRECEN EL ÚNICO Y EXCLUSIVO RECURSO DERIVADO DE LA VENTA DE LOS PRODUCTOS CUBIERTOS EN EL PRESENTE. WEBER NO SERÁ RESPONSABLE POR CUALQUIER PÉRDIDA O DAÑO ESPECIAL, INDIRECTO, INCIDENTAL O CONSECUCIONAL. ALGUNAS JURISDICIONES NO PERMITE LA EXCLUSIÓN O LIMITACIÓN DE DAÑOS INCIDENTALES O CONSECUCIONALES, O LIMITACIONES SOBRE LA DURACIÓN DE UNA GARANTÍA IMPLÍCITA, ASÍ QUE PUEDE QUE LAS EXCLUSIONES O LIMITACIONES ANTERIORES NO SE APLIQUEN A USTED.

BAJO NINGUNA CIRCUNSTANCIA LA RECUPERACIÓN DE CUALQUIER TIPO DEBERÁ SER MAYOR QUE LA CANTIDAD DEL PRECIO DE COMPRA DE PRODUCTO WEBER VENDIDO.

USTED ASUME EL RIESGO Y RESPONSABILIDAD POR PERDIDA, DAÑO O LESIÓN A USTED Y A SU PROPIEDAD Y/O A OTROS Y SUS PROPIEDADES QUE SE DERIVEN DEL MAL USO O ABUSO DEL PRODUCTO O DEBIDO A LA FALTA DE SEGUIMIENTO DE LAS INSTRUCCIONES PROPORCIONADAS POR WEBER EN LA GUIA DEL USUARIO ACOMPAÑANTE.

ESTA GARANTÍA LIMITADA LE OFRECE DERECHOS ESPECÍFICOS Y USTED PUEDE TENER OTROS DERECHOS QUE VARIAN EN DIFERENTES JURISDICIONES.

LAS PIEZAS Y ACCESORIOS REMPLAZADOS BAJO ESTA GARANTÍA LIMITADA ESTÁN GARANTIZADOS SOLAMENTE POR EL TIEMPO RESTANTE DEL/DE LOS PERIODO(S) ORIGINAL(ES) DE GARANTÍA.

ESTA GARANTÍA LIMITADA SE APLICA AL USO EN HOGARES O DEPARTAMENTOS FAMILIARES PRIVADOS Y NO SE APLICA CUANDO LOS ASADORES DE GAS WEBER SE USAN EN AMBIENTES COMERCIALES, COMUNITARIOS O DE UNIDADES MÚLTIPLES COMO RESTAURANTES, HOTELES, CENTROS TURÍSTICOS O PROPIEDADES DE RENTA.

WEBER PUEDE DE VEZ EN CUANDO CAMBIAR EL DISEÑO DE SUS PRODUCTOS. NADA INCLUIDO EN ESTA GARANTÍA LIMITADA DEBERÁ INTERPRETARSE COMO UNA OBLIGACIÓN DE WEBER DE INCORPORAR DICHOS CAMBIOS DE DISEÑO EN LOS PRODUCTOS FABRICADOS ANTERIORMENTE, NI TAMPOCO DICHOS CAMBIOS DEBERÁN INTERPRETARSE COMO UNA ADMISIÓN DE QUE LOS DISEÑOS PREVIOS ESTABAN DEFECTUOSOS.

WEBER-STEPHEN PRODUCTS LLC  
Customer Service Center  
90 West Hillcrest Boulevard, Suite 308  
Schaumburg, IL 60195  
EE.UU.

Para compras hechas en México:  
Weber-Stephen Products S.A. de C.V.  
Calle José Guadalupe Zuno #2302 P.H.  
Col. Americana, Guadalajara, Jalisco C.P. 44160 Mexico  
RFC- WPR030919ND4

Para partes de repuesto llame a:  
01800-00-Weber [93237] Ext. 105

Las barbacoas que se ilustran en este Manual del Propietario pueden variar ligeramente con respecto al modelo comprado.

LISTA DE PARTES .....	4
ENSAMBLAJE .....	5
WEBER® Q® 1000 DIAGRAMA DE DESPIECE ..	6
WEBER® Q® 1200 DIAGRAMA DE DESPIECE ..	7
WEBER® Q® 2000 DIAGRAMA DE DESPIECE ..	8
WEBER® Q® 2200 DIAGRAMA DE DESPIECE ..	9
ADVERTENCIAS .....	24
GARANTÍA .....	25
ÍNDICE .....	25
<b>INFORMACIÓN IMPORTANTE ACERCA DE LAS CONEXIONES DE GAS PROPANO Y GAS</b> .....	<b>26</b>
¿QUÉ ES EL GAS PROPANO LICUADO? .....	26
CONSEJOS PARA LA MANIPULACIÓN SEGURA DE LOS CILINDROS DE PROPANO LICUADO .....	26
ALMACENAJE Y/O FALTA DE USO .....	26
CÓDIGOS DE INSTALACIÓN DE LOS EE.UU. ....	26
CÓDIGOS DE INSTALACIÓN CANADIENSES .....	26
CONEXIONES DEL REGULADOR .....	26
COMBUSTIBLE PARA LA BARBACOA .....	26
INSTALACIÓN DEL CILINDRO DE PROPANO LICUADO .....	26
DESMONTAJE DEL CILINDRO DE PROPANO LICUADO .....	26
<b>PREPARACIÓN PARA USAR LA BARBACOA</b> ..	<b>27</b>
¿QUÉ ES UNA PRUEBA DE DETECCIÓN DE FUGAS? .....	27
PRUEBAS DE DETECCIÓN DE FUGAS DE GAS .....	27
<b>CHEQUEOS DE SEGURIDAD ANTES DE USAR LA BARBACOA</b> .....	<b>28</b>
LA SEGURIDAD PRIMERO .....	28
PLATO RECOLECTOR DESMONTABLE Y BANDEJA DE GOTEÓ DESECHABLE .....	28
<b>CONSEJOS PRÁCTICOS PARA ASAR A LA PARRILLA</b> .....	<b>29</b>
CONSEJOS Y RECOMENDACIONES .....	29
PRECALENTAMIENTO .....	29
COCCIÓN CUBIERTA .....	29
SISTEMA DE CAPTACIÓN DE GRASA .....	29
<b>ENCENDIDO Y USO DEL QUEMADOR</b> .....	<b>30</b>
MÉTODOS DE ENCENDIDO DEL QUEMADOR .....	30
ENCENDIDO DEL QUEMADOR .....	30
PARA APAGAR EL QUEMADOR .....	30
ENCENDIDO DEL QUEMADOR – Encendido con un cerillo .....	31
PARA APAGAR EL QUEMADOR .....	31
<b>RESOLUCIÓN DE PROBLEMAS</b> .....	<b>32</b>
<b>MANTENIMIENTO ANUAL</b> .....	<b>33</b>
CÓMO MANTENER LA BARBACOA WEBER® EN EXCELENTES CONDICIONES .....	33
PATRÓN DE QUEMADO DE LOS QUEMADORES .....	33
MALLA(S) WEBER® CONTRA ARAÑAS/INSECTOS .....	33
ORIFICIOS DE LOS TUBOS QUEMADORES .....	33
LIMPIEZA O REEMPLAZO DE LOS TUBOS DE LOS QUEMADORES .....	34
<b>MANTENIMIENTO DE RUTINA</b> .....	<b>35</b>
HERMOSA—POR DENTRO Y POR FUERA .....	35
LIMPIEZA DEL EXTERIOR DE LA BARBACOA .....	35
LIMPIEZA DEL INTERIOR DE LA BARBACOA .....	35
OPERACIONES DEL SISTEMA DE ENCENDIDO .....	36
MANTENIMIENTO DEL SISTEMA DE BOTÓN DE ENCENDIDO (Q® 1000 & Q® 2000) .....	36
MANTENIMIENTO DEL SISTEMA DE ENCENDIDO ELECTRÓNICO (Q® 1200 & Q® 2200) .....	36

## ¿QUÉ ES EL GAS PROPANO LICUADO?

El gas propano licuado, también denominado LP, gas LP, gas licuado de petróleo, o, simplemente, propano o butano, es el producto inflamable derivado del petróleo utilizado como combustible para la barbacoa. Es un gas a temperaturas y presiones moderadas cuando no está contenido. Pero a una presión moderada dentro de un recipiente, tal como un cilindro, el propano es un líquido. Al liberarse la presión del cilindro, el líquido se evapora fácilmente y se convierte en gas propano.

- El gas propano tiene un olor similar al gas natural. Usted deberá estar al tanto de este olor.
- El propano es más pesado que el aire. El gas propano proveniente de una fuga puede acumularse en áreas bajas y resistir su dispersión.

### ⚠ PELIGRO

**NUNCA** almacene un cilindro de gas propano licuado de repuesto debajo o cerca de los aparatos de gas Weber®. El no acatar esta advertencia al pie de la letra pudiera resultar en un fuego letal o causar lesiones serias.

## CONSEJOS PARA LA MANIPULACIÓN SEGURA DE LOS CILINDROS DE PROPANO LICUADO

Hay varias pautas y factores de seguridad que usted necesita tener en cuenta al utilizar gas propano licuado. Siga cuidadosamente estas instrucciones antes de usar la barbacoa de gas Weber®.

- No utilice un cilindro de propano licuado dañado, abollado u oxidado.
- Trate los cilindros de propano licuado "vacíos" con el mismo cuidado que cuando manipularía uno lleno. Incluso cuando un cilindro de propano licuado está vacío de líquido, todavía puede haber presión del gas dentro del cilindro.
- Los cilindros de propano licuado no deben dejarse caer o manipularse de manera brusca.
- Nunca guarde o transporte el cilindro de propano licuado donde las temperaturas puedan alcanzar 125°F (51.7°C) (el cilindro estará demasiado caliente para sostenerlo con la mano). Por ejemplo: no deje un cilindro de propano licuado dentro de un auto en un día caluroso.
- Los cilindros de propano licuado debe mantenerse fuera del alcance de los niños.

## ALMACENAJE Y/O FALTA DE USO

Para las barbacoas que hayan estado almacenadas o hayan estado sin utilizarse durante un tiempo, es importante seguir estas pautas:

- Desconecte el cilindro si: 1) está vacío; 2) la barbacoa se va a almacenar en un garaje u otra área cerrada; 3) la barbacoa está siendo transportada.
- Coloque la tapa antipolvo a la salida de la válvula del cilindro cuando este no se encuentre en uso.
- No almacene un cilindro de propano licuado desconectado en una edificación, garaje o cualquier otra área cerrada.
- Antes de usarla, se deberá verificar que la barbacoa de gas Weber® no tenga fugas de gas ni obstrucciones en el tubo del quemador. [Consulte "REVISIONES PARA DETECTAR FUGAS DE GAS" y "MANTENIMIENTO ANUAL."]
- Asegúrese de que las áreas debajo de la caja de cocción y del plato recolector desmontable no tenga desechos que pudieran obstruir el flujo de aire de combustión o de ventilación.
- También deberá revisarse que la malla contra arañas e insectos no esté obstruida. (Consulte la sección de "MANTENIMIENTO ANUAL.")

## CÓDIGOS DE INSTALACIÓN DE LOS EE.UU.

La instalación debe cumplir con los códigos locales o, en ausencia de códigos locales, con la última edición del Código Nacional de Gas Combustible, ANSI Z223.1/NFPA 54.

## CÓDIGOS DE INSTALACIÓN CANADIENSES

Esta instrucciones, aunque de manera general son aceptables, no necesariamente cumplen con los códigos de instalación canadienses, en particular en lo que respecta a tuberías bajo y sobre tierra. En Canadá la instalación de este artefacto debe cumplir con los códigos locales y/o la última edición de la Norma CAN/CSA-B149.2 ("Código de Manipulación y Almacenaje de Propano").

*NOTA: Su proveedor de venta al por menor puede ayudarle a ubicar el cilindro de reemplazo que necesita para su barbacoa.*

## CONEXIONES DEL REGULADOR

La barbacoa de gas Weber® está equipada con un regulador de presión, que es un dispositivo para controlar y mantener uniforme la presión del gas al este salir del cilindro de propano licuado. Cada regulador de presión Weber® está diseñado para extraer vapor.

- Debe utilizarse el regulador de presión suministrado con la barbacoa de gas Weber®. Este regulador está ajustado para una presión de 11 pulgadas de columna de agua.

## COMBUSTIBLE PARA LA BARBACOA

Antes de usar la barbacoa por primera vez, necesitará comprar un cilindro de gas propano licuado. Puede optar por comprar un cilindro de gas propano licuado de repuesto para que no se quede sin combustible en medio de la preparación de una comida.

## INSTALACIÓN DEL CILINDRO DE PROPANO LICUADO

Use cilindros de propano licuado desechables con una capacidad de 14.1 onzas o de 16.4 onzas equipados con una conexión CGA #600.

**⚠ PRECAUCIÓN: Use solamente cilindros que estén marcados con las siglas "Propane fuel" (combustible propano).**

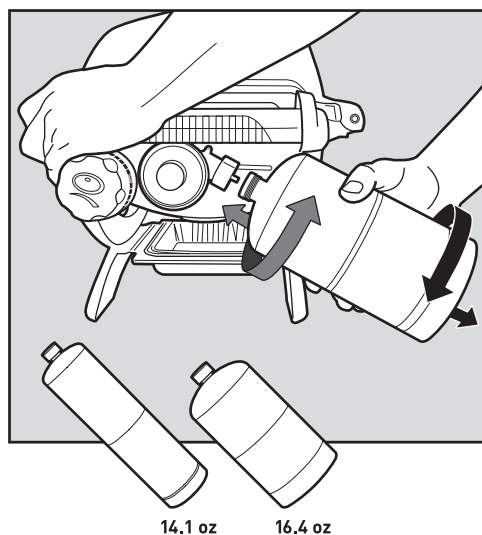
- Asegúrese de que la perilla de control del quemador esté apagada presionándola y girándola en sentido de las agujas del reloj hasta la posición (O) apagada.
- Mientras sostiene con una mano el asa de portar más cercana al cilindro de propano, empuje el cilindro de propano dentro del regulador y gírelo en dirección de las agujas del reloj hasta quedar apretado (1).

**⚠ ADVERTENCIA: No use una llave para apretar la conexión. Si usa una llave, podría dañar el acoplamiento del regulador y causar una fuga.**

## DESMONTAJE DEL CILINDRO DE PROPANO LICUADO

Cuando se requiera reemplazar el cilindro de gas propano, siga estas instrucciones para sacarlo.

- Asegúrese de que la perilla de control del quemador esté apagada presionándola y girándola en sentido de las agujas del reloj hasta la posición (O) apagada.
- Mientras sostiene con una mano el asa de portar más cercana al cilindro de propano, desenrosque el cilindro de propano del regulador.



## ¿QUÉ ES UNA PRUEBA DE DETECCIÓN DE FUGAS?

El sistema de combustible de la barbacoa cuenta con conexiones y accesorios. Una prueba de detección de fugas es una manera confiable de asegurarse de que no se esté escapando gas de alguna de las conexiones o accesorios.

Aunque todas las conexiones realizadas en fábrica han sido revisadas a fondo para detectar fugas de gas, es importante realizar una prueba de detección de fugas antes de utilizar la barbacoa por primera vez, así como cada vez que conecte o desconecte una conexión y cada vez que realice el mantenimiento de rutina.

### ⚠ PELIGRO

**No utilice una llama abierta para comprobar si existen fugas de gas. Asegúrese de que no haya chispas o llamas abiertas en el área mientras comprueba si existen fugas. Chispas o llamas causarán un fuego o explosión, las cuales pueden causar graves lesiones corporales o la muerte y daños materiales.**

**⚠ ADVERTENCIA: Las conexiones de gas de la barbacoa de gas han sido probadas en la fábrica. Le recomendamos inspeccione todas las conexiones de gas antes de operar la barbacoa de gas.**

**⚠ ADVERTENCIA: Lleve a cabo estos chequeos de fugas incluso si la barbacoa ha sido ensamblada por el distribuidor o en la tienda.**

**⚠ ADVERTENCIA: Cada vez que conecte o desconecte una conexión de gas, deberá verificar que no haya fugas de gas.**

*NOTA: Todas las conexiones hechas en la fábrica han sido revisadas a fondo para detectar fugas de gas y el quemador ha sido probado con la llama encendida. Como medida de seguridad, sin embargo, antes de utilizar el barbacoa de gas Weber® usted debe comprobar todas las conexiones para asegurarse que no tengan fugas. Durante el manejo y transporte puede haberse aflojado o dañado alguna conexión de gas.*

## PRUEBAS DE DETECCIÓN DE FUGAS DE GAS

Usted necesitará: Una botella de spray o una brocha o un trapo y una solución de agua y jabón. (Puede preparar su propia solución de jabón y agua mezclando 20% de jabón líquido con 80% de agua; o, puede comprar una solución de detección de fugas en la sección de plomería de cualquier ferretería.)

A) Asegúrese de que la perilla de control del quemador esté apagada presionándola y girándola en sentido de las agujas del reloj hasta la posición (O) apagada.

**⚠ ADVERTENCIA: No encienda el quemador mientras esté verificando la existencia de fugas.**

B) Para comprobar si hay fugas, moje las conexiones con la solución de jabón y agua, utilizando una botella de spray, una brocha o un trapo. Si se forman burbujas, o si una burbuja crece, es que hay una fuga. Aplique la solución de jabón y agua a las siguientes conexiones:

a) Conexión del regulador al cilindro (1).

**⚠ ADVERTENCIA: Si hay una fuga en la conexión (1), retire el cilindro de propano. NO OPERE LA BARBACOA. Instale un cilindro de propano diferente y vuelva a verificar que no haya fugas usando una solución de agua y jabón. Si una fuga persiste aún después de volver a instalar un cilindro de propano diferente, retire el cilindro de propano. NO OPERE LA BARBACOA. Contacte al Representante de Servicios al Cliente en su área utilizando la información de contacto en nuestro sitio web. Conéctese a [www.weber.com](http://www.weber.com)®.**

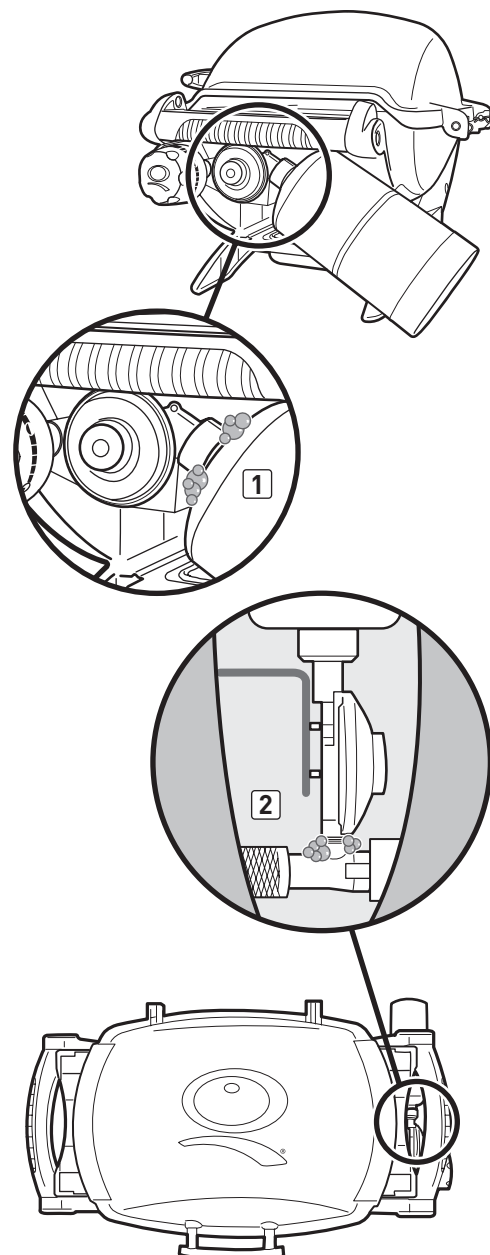
b) La conexión de la válvula al regulador (2).

**⚠ ADVERTENCIA: Si hay una fuga en la conexión (2), retire el cilindro de propano. NO OPERE LA BARBACOA. Contacte al Representante de Servicios al Cliente en su área utilizando la información de contacto en nuestro sitio web. Conéctese a [www.weber.com](http://www.weber.com)®.**

C) Al completar las pruebas de detección de fugas, enjuague las conexiones con agua.

*NOTA: Dado que algunas soluciones para la detección de fugas, incluyendo el agua y jabón, pueden ser ligeramente corrosivas, todas las conexiones deberán enjuagarse con agua después de realizar las pruebas de detección de fugas.*

Ahora ya está listo para usar la barbacoa.



## LA SEGURIDAD PRIMERO

Es una buena idea entrar en el hábito de realizar unos cuantos chequeos de seguridad antes de empezar a asar a la parrilla.

La seguridad debe ser tomada en cuenta al decidir dónde colocar y operar la barbacoa. Asegúrese de leer las siguientes advertencias antes de instalar o de usar la barbacoa.

### ADVERTENCIAS:

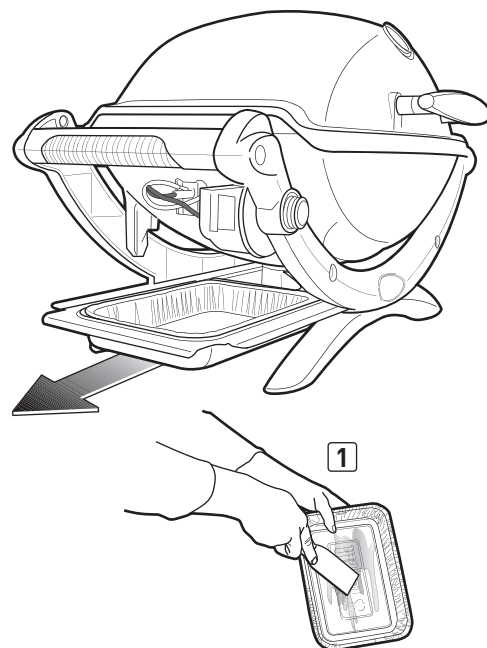
- ⚠ Utilice esta barbacoa solamente en un área bien ventilada al aire libre. No la utilice en un garaje, edificio, pasadizo techado o en cualquier otra área cerrada.
- ⚠ La barbacoa de gas Weber® no debe utilizarse debajo de un techo combustible.
- ⚠ La barbacoa de gas Weber® no ha sido diseñada para instalarse en o sobre vehículos o botes recreativos.
- ⚠ Mantenga el área de cocinar libre de vapores y líquidos inflamables tales como gasolina, alcohol, etc. y materiales combustibles.
- ⚠ La caja de cocción entera se calienta al usarse. No la toque.
- ⚠ No mueva la barbacoa de gas Weber® cuando esté en funcionamiento o mientras esté caliente.
- ⚠ Cuando se esté cocinando, el aparato deberá estar sobre una superficie nivelada y estable en un área libre de materiales combustibles. Una superficie de asfalto (asfaltado) puede que no sea aceptable para este propósito.

## PLATO RECOLECTOR DESMONTABLE Y BANDEJA DE GOTEO DESECHABLE

La barbacoa fue construida con un sistema de captación de grasa, que conduce la grasa en dirección contraria a los alimentos y hacia un plato recolector desmontable. Para su comodidad, también puede forrar el plato recolector desmontable con una bandeja de goteo desechable Weber®, que le ayudará a mantener el plato recolector desmontable limpio durante más tiempo.

El limpiar el plato recolector desmontable es tan importante como la limpieza de la caja de cocción. Cada vez que vaya a usar la barbacoa, compruebe que no se haya acumulado grasa en el plato recolector desmontable. Elimine el exceso de grasa con una espátula de plástico (1). Lave el plato recolector desmontable con agua jabonosa y enjuáguelo con agua limpia.

- ⚠ **ADVERTENCIA:** Previo a cada uso, revise si hay acumulación de grasa en el plato recolector desmontable o en la bandeja de goteo desechable. Elimine cualquier exceso de grasa para evitar un incendio. Un incendio de grasa puede causar lesiones corporales graves o daños materiales.
- ⚠ **PRECAUCIÓN:** No forre la caja de cocción, el plato recolector desmontable o la bandeja de goteo desechable con papel de aluminio.



## CONSEJOS Y RECOMENDACIONES

- Siempre precaliente la barbacoa antes de cocinar en la misma. Ajuste el/los quemador(es) a fuego alto y cierre la tapa; precaliente durante 10 a 15 minutos.
- La temperatura de la barbacoa de gas puede alcanzar temperaturas más calientes de lo normal durante los primeros usos.
- Los tiempos de las recetas de asado a la parrilla se basan en una temperatura exterior de 70°F (21°C) y con escaso o ningún viento. Permita un mayor tiempo de cocción en días fríos o de viento, o a mayores altitudes. Permita menos tiempo de cocción en climas extremadamente calurosos.
- Las condiciones de asado a la parrilla pueden requerir el ajuste de las perillas de control de los quemadores para alcanzar las temperaturas de cocción correctas.
- Para alimentos siempre perfectamente asados, dore las carnes y cocine con la tapa cerrada.
- El aglomerar alimentos sobre una parrilla de cocción significa que se requerirá más tiempo para cocinar los alimentos.
- Recorte el exceso de grasa de los bistecs, chuletas y asados, dejando apenas ¼ de pulgada (6.4 mm) de grasa. Menos grasa facilita la limpieza, y es una garantía casi absoluta contra las indeseadas llamaradas.
- Por lo general, las piezas de carne más grandes requerirán mayor tiempo de cocción por libra (kilo) que las piezas más chicas.
- Algunos alimentos, tales como un guiso o un filete delgado de pescado, requerirán de un recipiente para asarlos. Las bandejas desechables de aluminio son muy convenientes, pero puede usarse cualquier olla de metal con asas resistentes al calor.
- Los alimentos asados dentro de recipientes, tales como judías en salsa de tomate, tomarán más tiempo si se cocinan en una cacerola profunda que en una bandeja de hornear poco profunda.
- Use tenacillas en vez de un tenedor para dar la vuelta y manipular las carnes a fin de evitar perder los jugos naturales. Use dos espátulas para manipular un pescado grande entero.
- Asegúrese siempre de que la caja de cocción y el plato recolector de grasa estén limpios y libres de desechos.
- No forre la caja de cocción con papel de aluminio. Ello pudiera prevenir que la grasa fluya al plato recolector de grasa.
- Si llegase a presentarse una llamarada indeseada, apague el/los quemador(es) y mueva los alimentos a otra zona de la parrilla de cocción. Cualquier llama se apagará rápidamente. Una vez que las llamas se apaguen, vuelva a encender la parrilla. **JAMÁS USE AGUA PARA EXTINGUIR LAS LLAMAS EN UNA BARBACOA DE GAS.**
- El usar un temporizador le ayudará a alertarle cuando “bien cocido” esté a punto de convertirse en “sobre cocido.”
- Una leve capa de aceite ayudará a dorar la comida de manera pareja y prevendrá que ésta se pegue a la parrilla de cocción. Siempre aplique el aceite con un cepillo o como spray, sobre la comida, no directamente sobre la parrilla de cocción.
- Cuando se use un adobo, salsa, o glaseado con un alto contenido de azúcar u otros ingredientes que se queman con facilidad, aplíquelos a la comida con un cepillo solamente durante los últimos 5 a 10 minutos del asado.

## PRECALENTAMIENTO

Es importante precalentar la barbacoa antes de asar. Para precalentar: Encienda la barbacoa de acuerdo con las instrucciones en esta Guía del Propietario; a continuación, gire el/los quemador(es) a la posición (4) de encendido/fuego alto, cierre la tapa y precaliente la barbacoa. Esto tomará unos 10 a 15 minutos según tales condiciones como la temperatura del aire y el viento. Tras precalentar, puede ajustar el/los quemador(es) según su preferencia.

**⚠ ADVERTENCIA: Si llegasen a apagarse el o los quemadores mientras la barbacoa esté en operación, cierre la perilla/ todas las perillas de control de el/los quemador(es). Abra la tapa y espere cinco minutos antes de tratar de volver a encender la barbacoa, siguiendo las instrucciones de encendido.**

## COCCIÓN CUBIERTA

Todo asado a la parrilla deberá realizarse con la tapa cerrada para proporcionar un calor uniforme con una circulación pareja. Con la tapa cerrada, la barbacoa de gas cocinará de manera muy parecida a un horno de convección. El termómetro en la tapa, una característica de algunas de nuestras barbacoas, indica la temperatura de cocción en el interior de la barbacoa. Todo el precalentamiento y asado a la parrilla se realiza con la tapa cerrada. Nada de miraditas - se pierde calor cada vez que usted abre la tapa.

## SISTEMA DE CAPTACIÓN DE GRASA

Unas características del exclusivo diseño de la parrilla de cocción son los rieles de hierro fundido instalados a un ángulo que desvían la grasa en dirección contraria al/a los tubo(s) del/de los quemador(es), y de esa manera previenen llamaradas que pueden carbonizar los alimentos. La grasa remanente fluye a una bandeja colectora desmontable que se desliza hacia afuera para facilitar su limpieza.

Para más sugerencias y recetas de asados, visite [www.weber.com](http://www.weber.com)®.

## MÉTODOS DE ENCENDIDO DEL QUEMADOR

Hay dos formas de encender el quemador. La primera es mediante el uso del sistema de encendido incorporado a su barbacoa. La segunda es con un cerillo.

A continuación se indican los pasos para encender la barbacoa con el sistema de encendido. En la página siguiente se encuentran los pasos para encender la barbacoa con un cerillo.

**Instrucciones resumidas para el encendido se encuentran en la mesa desplegable derecha (Q® 1200, Q® 2000, Q® 2200).**

### ENCENDIDO DEL QUEMADOR

A) Abra la tapa de la barbacoa (1).

#### ⚠ PELIGRO

**El no abrir la tapa mientras se esté encendiendo el quemador de la barbacoa, o no esperar cinco minutos para que el gas se disipe si la barbacoa no se enciende, puede resultar en una llamarada explosiva, la cual puede causar lesiones corporales graves o la muerte.**

B) Despliegue las mesas laterales (2) (Q® 1200, Q® 2000, Q® 2200).

C) Asegúrese de que la perilla de control del quemador esté en la posición (O) apagada (3). Verifíquelo presionando la perilla de control del quemador hacia abajo y girándola en dirección de las agujas del reloj hasta que se detenga.

D) Confirme que el cilindro esté correctamente instalado. Consulte la "INSTALACIÓN DEL CILINDRO DE PROPANO LICUADO."

E) Presione la perilla de control del quemador y gírela en dirección contraria a las agujas del reloj a la posición (4) de encendido/fuego alto (4).

F1) Pulse el botón rojo de encendido varias veces, de manera que haga clic cada vez (5a) (Q® 1000, Q® 2000).

F2) Pulse y sostenga presionado el botón de encendido electrónico (5b) (Q® 1200, Q® 2200). Oirá al encendedor chisporrotear.

G) Verifique que el quemador esté encendido viendo hacia abajo a través de las parrillas de cocción. Deberá ver una llama.

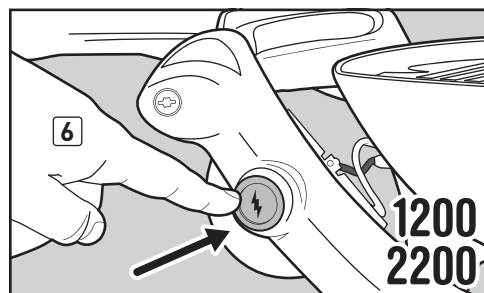
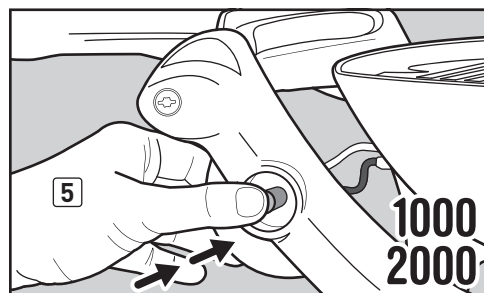
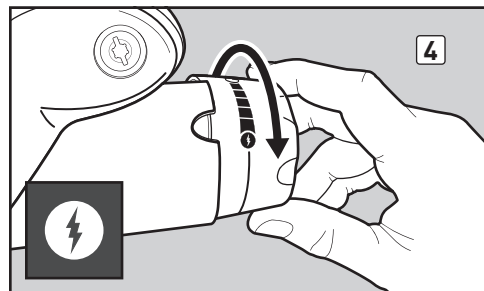
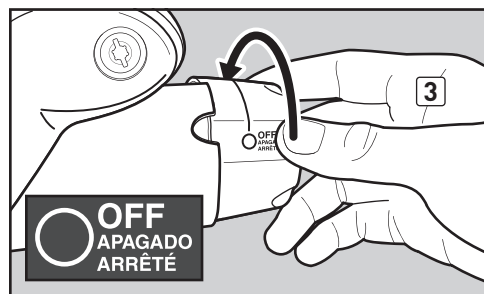
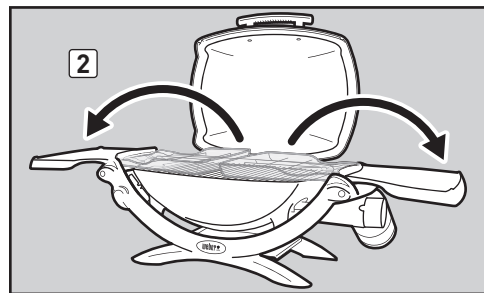
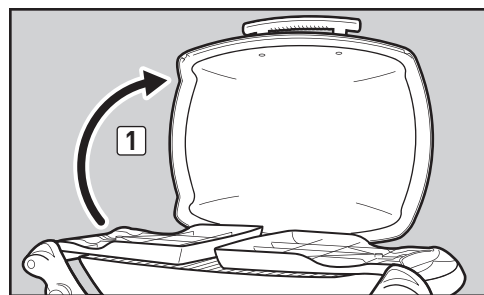
**⚠ ADVERTENCIA: Mientras lo enciende, no se incline sobre la barbacoa abierta.**

**⚠ ADVERTENCIA: Si el quemador no llegase a encenderse en el lapso de cinco segundos, pare, cierre la perilla de control del quemador y espere cinco minutos para permitir que el gas se disipe antes de volver a intentarlo o encender la barbacoa con un cerillo.**

### PARA APAGAR EL QUEMADOR

Presione la perilla de control del quemador y gírela en sentido de las agujas del reloj a la posición (O) apagada.

**⚠ PRECAUCIÓN: No pliegue las mesas laterales hasta que la parrilla esté fría (Q® 1200, Q® 2000, Q® 2200).**



**Algunas baterías cuentan con un envoltorio protector de plástico alrededor de ellas. Este plástico debe ser retirado antes de intentar encender la barbacoa. No confunda este plástico con la etiqueta de la batería.**

# ENCENDIDO Y USO DEL QUEMADOR

## ENCENDIDO DEL QUEMADOR – Encendido con un cerillo

A) Abra la tapa de la barbacoa (1).

### ⚠ PELIGRO

El no abrir la tapa mientras se esté encendiendo el quemador de la barbacoa, o no esperar cinco minutos para que el gas se disipe si la barbacoa no se enciende, puede resultar en una llamarada explosiva, la cual puede causar lesiones corporales graves o la muerte.

B) Despliegue las mesas laterales (2) (Q® 1200, Q® 2000, Q® 2200).

C) Asegúrese de que la perilla de control del quemador esté en la posición (O) apagada (3). Verifíquelo presionando la perilla de control del quemador hacia abajo y girándola en dirección de las agujas del reloj hasta que se detenga.

D) Confirme que el cilindro esté correctamente instalado. Consulte la "INSTALACIÓN DEL CILINDRO DE PROPANO LICUADO."

E) Encienda un cerillo y coloque la llama debajo del orificio para la llama del cerillo (4). Mientras sostiene el cerillo encendido, presione la perilla de control del quemador y gírela en sentido contrario a las agujas del reloj a la posición (H) de encendido/fuego alto (5).

F) Verifique que el quemador esté encendido viendo hacia abajo a través de las parrillas de cocción (6). Deberá ver una llama.

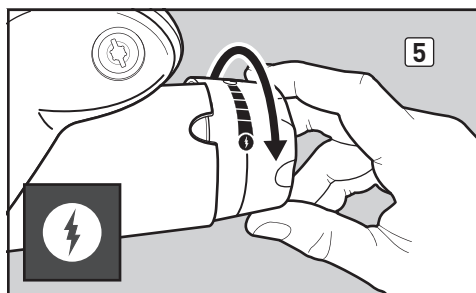
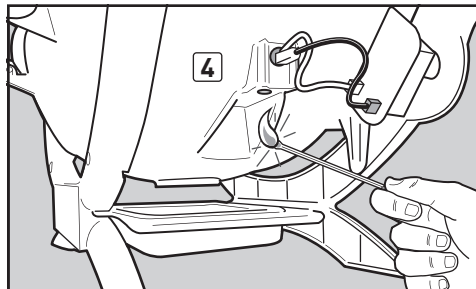
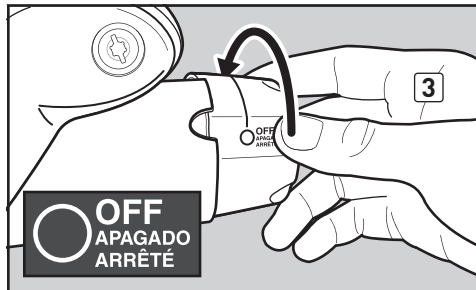
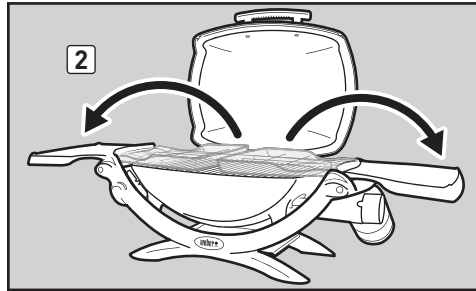
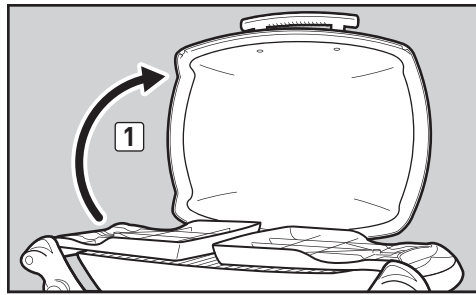
⚠ **ADVERTENCIA:** Mientras lo enciende, no se incline sobre la barbacoa abierta. Mantenga su cara y cuerpo alejados por lo menos a una distancia de 12 pulgadas (30 cm) del orificio de encendido con cerillo al encender la barbacoa.

⚠ **ADVERTENCIA:** Si el quemador no llegase a encenderse en el lapso de cinco segundos, pare, cierre la perilla de control del quemador y espere cinco minutos para permitir que el gas se disipe antes de volver a intentarlo.

## PARA APAGAR EL QUEMADOR

Presione la perilla de control del quemador y gírela en sentido de las agujas del reloj a la posición (O) apagada.

⚠ **PRECAUCIÓN:** No pliegue las mesas laterales hasta que la parrilla esté fría (Q® 1200, Q® 2000, Q® 2200).



# RESOLUCIÓN DE PROBLEMAS

PROBLEMAS	SOLUCIONES
El quemador no se enciende al pulsar el botón de encendido.	<p>Asegúrese de que el gas fluya al quemador intentando encender el quemador con un cerillo. Consulte la sección "ENCENDIDO DEL QUEMADOR - Encendido con un cerillo." Si el encendido con un cerillo es exitoso, el problema está en el sistema de encendido. Consulte el "MANTENIMIENTO DEL SISTEMA DE ENCENDIDO CON BOTÓN (Q® 1000 y Q® 2000)" o "MANTENIMIENTO DEL SISTEMA DE ENCENDIDO ELECTRÓNICO (Q® 1200 y Q® 2200)."</p> <p>Asegúrese de que los cables estén debidamente insertados dentro de los terminales en el ensamble del electrodo de encendido. Compruebe que los cables estén conectados a los terminales en el encendedor de botón (Q® 1000 &amp; Q® 2000) o en el módulo electrónico de encendido (Q® 1200 y Q® 2200). Consulte la sección "MANTENIMIENTO DEL SISTEMA DE ENCENDIDO CON BOTÓN (Q® 1000 &amp; Q® 2000)" o "MANTENIMIENTO DEL SISTEMA DE ENCENDIDO ELECTRÓNICO (Q® 1200 &amp; Q® 2200)."</p> <p>Si se instala una batería nueva, confirme que se ha retirado la envoltura de plástico de la batería. Verifique que la batería esté en buen estado e instalada correctamente. Consulte "MANTENIMIENTO DEL SISTEMA DE ENCENDIDO ELECTRÓNICO (Q® 1200 y Q® 2200)."</p>
El quemador lateral no se enciende, o la llama está baja cuando la perilla de control del quemador está en la posición (H) de fuego alto.	El nivel de gas propano licuado en el cilindro podría estar bajo o el cilindro está vacío. Reemplace el cilindro de propano licuado. Consulte "DESМONTAJE DEL CILINDRO DE PROPANO LICUADO."
El quemador produce llamas con un patrón errático. La llama está baja cuando el quemador está en la posición (H) de fuego alto. Las llamas no corren a lo largo de todo el tubo del quemador.	Limpie los orificios de los quemadores que corren a todo lo largo del tubo del quemador. Consulte la sección de "MANTENIMIENTO ANUAL."
El quemador lateral quema con una llama amarilla o anaranjada, conjuntamente con un olor a gas.	Revise que no haya posibles obstrucciones en la malla contra arañas e insectos. (Taponamiento de orificios.) Limpie la malla contra arañas e insectos. Consulte la sección de "MANTENIMIENTO ANUAL."
Se producen llamaradas.	La barbacoa debe precalentarse con el quemador a fuego alto durante 10 a 15 minutos.
<b>⚠ PRECAUCIÓN: No forre la caja de cocción con hoja de aluminio.</b>	Limpie las parrillas de cocción a fondo para eliminar la grasa. Consulte la sección de "LIMPIEZA DEL INTERIOR DE LA BARBACOA."
	La caja de cocción puede estar sucia y no permite que la grasa fluya al plato recolector desmontable. Limpie la caja de cocción. Consulte la sección de "LIMPIEZA DEL INTERIOR DE LA BARBACOA."
La parte interna de la tapa pareciera estar "pelándose." (Se parece al desprendimiento de pintura.)	El interior de la tapa es de aluminio fundido. No está pintada. No puede "pelarse." Lo que está viendo es grasa asada que se ha convertido en carbón y se está descascarando. <b>ESTO NO ES UN DEFECTO.</b> Limpie a fondo. Consulte la sección de "LIMPIEZA DEL INTERIOR DE LA BARBACOA."

Si los problemas no pueden corregirse usando cualquiera de estos métodos, por favor contacte al Representante de Atención al Cliente en su área usando la información de contacto en nuestro sitio web. Conéctese a [www.weber.com](http://www.weber.com).



## CÓMO MANTENER LA BARBACOA WEBER® EN EXCELENTES CONDICIONES

### ⚠ PELIGRO

El no corregir cualquier problema descrito en esta página podría resultar en un incendio, que podría causar lesiones corporales serias o la muerte y daños materiales.

Para mantener la barbacoa de gas Weber® funcionando de forma segura y eficiente como el primer día, le recomendamos que inspeccione y limpie las mallas contra arañas y demás insectos, los tubos de los quemadores y los orificios de la válvulas al menos una vez al año. A continuación se muestra información importante acerca de estas dos áreas de la barbacoa que deben someterse a mantenimiento anual.

Si usted observa un patrón incorrecto de la llama o un orificio de quemador obstruido, proceda a las instrucciones de "LIMPIEZA O REEMPLAZO DE LOS TUBOS DE LOS QUEMADORES" en la página siguiente.

### PATRÓN DE QUEMADO DE LOS QUEMADORES

El o los tubos de los quemadores de la barbacoa de gas Weber® fue/fueron ajustados en la fábrica para obtener la mezcla correcta de aire y gas. El patrón correcto de la llama se muestra en la ilustración y se describe a continuación:

- Tubo(s) del o de los quemador(es) **(1)**
- Las puntas ocasionalmente titilan con un color amarillo **(2)**
- Azul claro **(3)**
- Azul oscuro **(4)**

Revise el patrón de la llama del quemador. Si las llamas no se corresponden con la descripción anterior, ello podría ser una indicación de que la(s) malla(s) contra arañas y demás insectos se ha(n) ensuciado o obstruido.

### MALLA(S) WEBER® CONTRA ARAÑAS/ INSECTOS

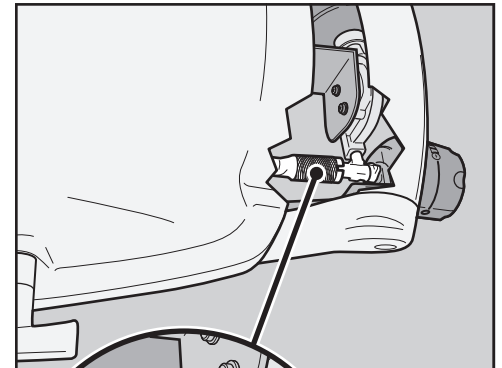
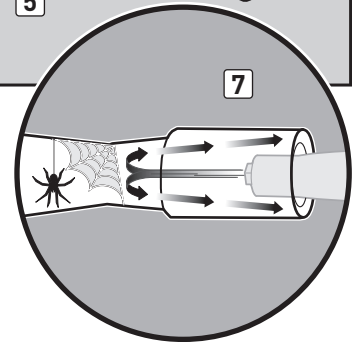
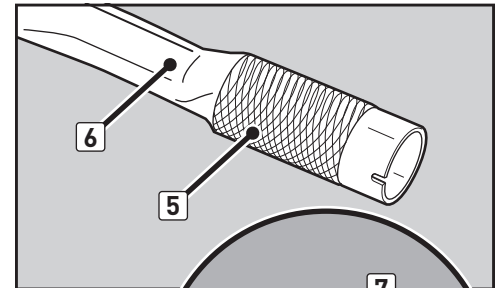
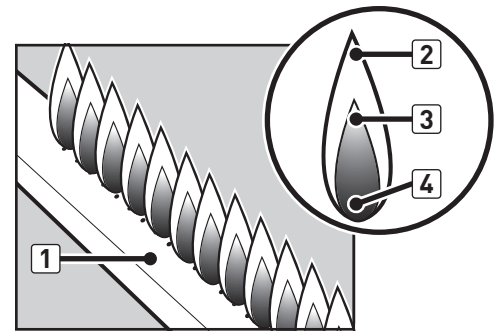
La(s) entrada(s) de aire de combustión del o de los tubo(s) de los quemadores **(5)** está(n) equipada(s) con malla(s) de acero inoxidable para ayudar a evitar que las arañas y otros insectos tejan telarañas y construyan nidos dentro de la sección del venturi **(6)** del o de los tubo(s) de los quemadores. Estos nidos pueden obstruir el flujo normal de gas, y pueden causar que el gas fluya de vuelta hacia afuera por la(s) abertura(s) del aire de combustión **(7)**. Síntomas de este tipo de obstrucción incluyen el olor a gas en conjunción con llamas del quemador que tienen un semblante perezoso de color amarillo. Esto podría resultar en un incendio **(8)** en y alrededor de la(s) válvula(s) de gas, causando serios daños a la barbacoa.

*NOTA: Si la malla contra arañas y demás insectos se daña o no pudiese limpiarse, sírvase ponerse en contacto con el Representante de Servicios al Cliente de su zona, cuya datos de contacto encontrará en nuestro sitio en la Internet. Conéctese a [www.weber.com](http://www.weber.com).*

### ORIFICIOS DE LOS TUBOS QUEMADORES

Con el tiempo, por el uso repetido de la barbacoa, los orificios de los tubos de los quemadores se ensucian. Los orificios obstruidos y sucios pueden restringir el flujo pleno del gas. Las siguientes son maneras de determinar si los orificios de los tubos de los quemadores están sucios o bloqueados.

- La barbacoa no alcanza la temperatura deseada
- La barbacoa se calienta de manera irregular
- Uno o más de los quemadores no se encienden



## LIMPIEZA O REEMPLAZO DE LOS TUBOS DE LOS QUEMADORES

### Confirme que la barbacoa esté apagada y fría

- A) Verifique que la perilla de control del quemador esté en la posición apagada (O). Verifíquelo presionando la perilla de control del quemador hacia abajo y girándola en dirección de las agujas del reloj hasta que se detenga.
- B) Desconecte el cilindro de propano licuado.
- C) Retire la tapa.
- D) Retire las parrillas de cocción.

### Retire el tubo del quemador

Usted necesitará: Un destornillador hembra de 3/8".

- A) Retire el tornillo que sujeta el tubo del quemador a la caja de cocción (1).
- B) Con cuidado deslice el tubo del quemador fuera de la caja de cocción (2).

### Limpie el tubo del quemador

Usted necesitará: Una linterna, un alambre (un gancho de ropa enderezado), un cepillo de cerdas de acero inoxidable adecuado y un cepillo de cerdas suaves (cepillo de dientes).

- A) Revise el interior del tubo del quemador con una linterna (3).
- B) Limpie cualquier suciedad o bloqueo desde el interior de los tubos con el alambre (4).
- C) Revise la malla contra arañas y demás insectos en el extremo del tubo del quemador y límpiela con un cepillo de cerdas suaves (5).

**⚠ PRECAUCIÓN: No limpie la malla contra arañas y demás insectos con herramientas duras o afiladas. No la desmonte ni agrande los orificios de la misma.**

- D) Utilice el cepillo de cerdas de acero para limpiar el exterior del tubo del quemador. Esto se hace para asegurarse de que todas las aberturas del quemador que corren a lo largo de la longitud del tubo estén completamente abiertas (6).

**⚠ PRECAUCIÓN: Al limpiar, no agrande las aberturas del quemador.**

### Vuelva a instalar el tubo del quemador

Usted necesitará: Un destornillador hembra de 3/8".

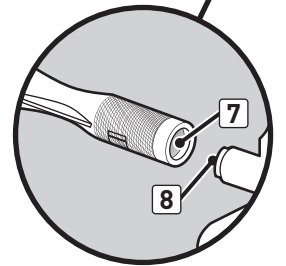
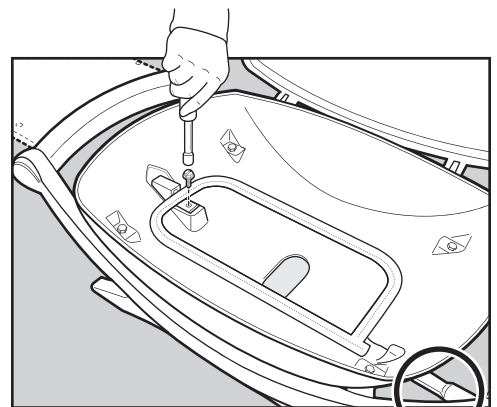
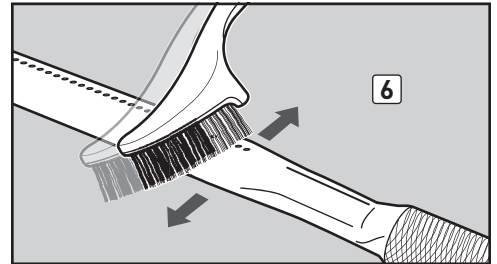
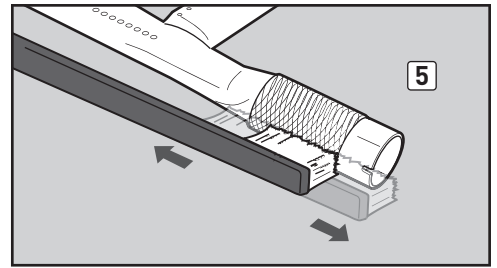
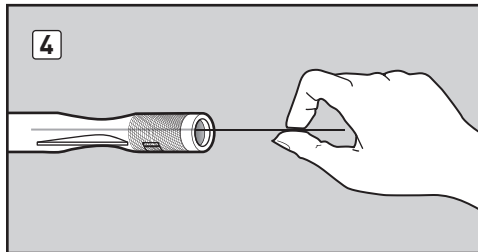
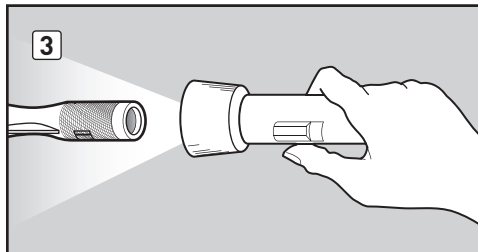
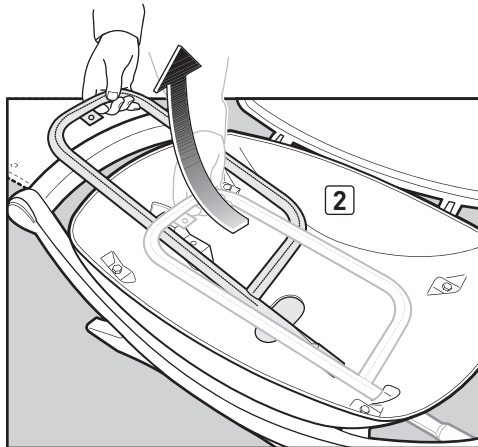
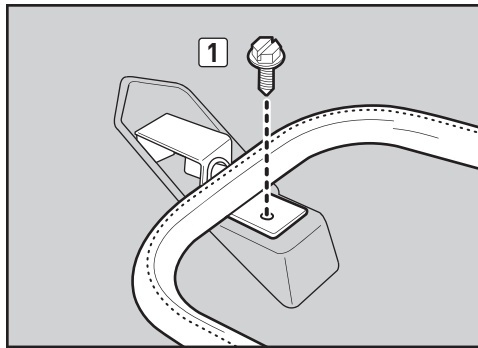
- A) Deslice con cuidado el tubo del quemador de vuelta en el orificio del lado derecho de la caja de cocción, alineando la abertura del tubo del quemador con el orificio de la válvula.

- B) Vuelva a colocar el tornillo que sujeta el tubo del quemador a la caja de cocción.

**⚠ PRECAUCIÓN: La abertura del tubo del quemador (7) deberá posicionarse correctamente sobre el orificio de la válvula (8).**

**⚠ ADVERTENCIA: Cada vez que conecte o desconecte una conexión de gas, deberá verificar que no haya fugas de gas. Consulte "REVISIONES PARA DETECTAR FUGAS DE GAS."**

- C) Vuelva a colocar la tapa.
- D) Vuelva a colocar en su sitio las parrillas de cocción.



## HERMOSA—POR DENTRO Y POR FUERA

Los propietarios de las barbacoas Weber® están muy orgullosos de sus barbacoas. Haga alarde de su orgullo y alegría. Mantenga su barbacoa limpia y hermosa por dentro y por fuera siguiendo estos pasos de mantenimiento de rutina.

### LIMPIEZA DEL EXTERIOR DE LA BARBACOA

Para mantener el exterior de su barbacoa en el mejor aspecto posible, siga las siguientes pautas para limpiar la misma de manera segura.

**⚠ ADVERTENCIA: Apague la barbacoa de gas Weber® y espere a que se enfríe antes de limpiarla.**

#### Superficies pintadas, esmaltadas y de plástico

Use una solución de agua jabonosa tibia para limpiar las superficies externas; luego enjuáguelas con agua.

**IMPORTANTE:** No utilice limpiadores que contengan ácido, destilado de petróleo o xileno. Sobre la superficie de la barbacoa o del carro, no utilice limpiadores de horno, limpiadores abrasivos (limpiadores de cocinas), limpiadores que contengan productos cítricos, o almohadillas de limpieza abrasivas.

Las mesas desplegadas (Q® 1200, Q® 2000, Q® 2200) no deberán usarse como tablas de corte.

### LIMPIEZA DEL INTERIOR DE LA BARBACOA

Para mantener la barbacoa funcionando de forma segura y eficiente, es importante eliminar la suciedad y el exceso de grasa que pueda haberse acumulado en el interior de la misma. Siga las siguientes pautas para la limpieza segura.

#### Dentro de la tapa

La grasa acumulada escamada se asemeja a las escamas de pintura. Limpie el interior de la tapa con una toalla de papel para evitar la acumulación de grasa. Lave el interior de la tapa con agua tibia y jabón; luego enjuague con agua.

#### Componentes de la caja de cocción y el tubo del quemador

Usted necesitará: Un cepillo de cerdas de acero inoxidable, y una espátula de plástico rígido.

A) Raspe y cepille las parrillas de cocción con la espátula y el cepillo. Retire las parrillas de cocción y colóquelas al lado.

**⚠ PRECAUCIÓN: Los cepillos de parrilla deben revisarse con regularidad para comprobar que no tengan cerdas sueltas o un excesivo desgaste. Reemplace el cepillo en caso de encontrar cerdas sueltas en las parrillas de cocción o en el cepillo. Weber sugiere comprar un cepillo de parrilla de acero inoxidable nuevo al principio de cada primavera.**

**⚠ PRECAUCIÓN: No limpie las parrillas de cocción en un horno autolimpiante.**

B) Quite cualquier resto de tubo del quemador. No agrande los orificios del quemador (aberturas) que corren a lo largo de la longitud del tubo del quemador (1).

C) Cuando termine la limpieza, vuelva a colocar en su lugar las parrillas de cocción.

#### Caja de cocción

Lave el interior de la caja de cocción con agua tibia y jabón; luego enjuague con agua.

#### Plato recolector desmontable y bandeja de goteo desechable

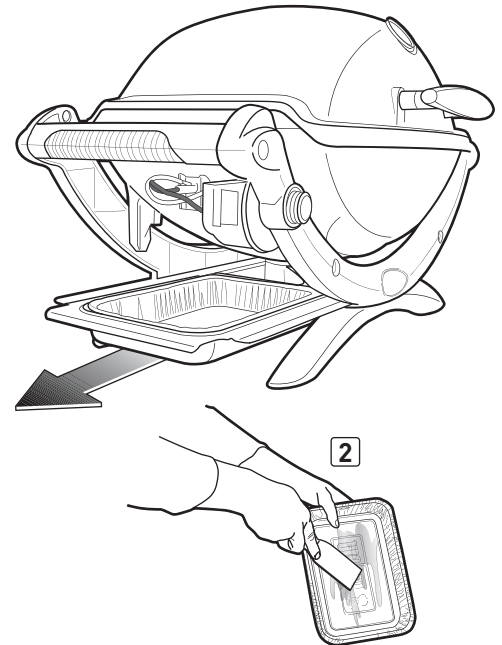
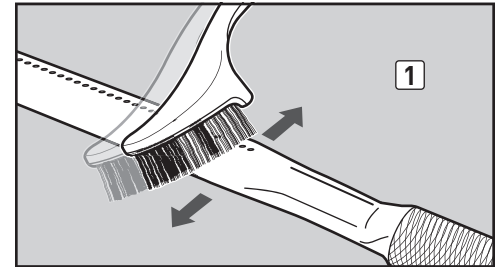
La barbacoa fue construida con un sistema de captación de grasa, que conduce la grasa en dirección contraria a

los alimentos y hacia un plato recolector desmontable. Para su comodidad, también puede forrar el plato recolector desmontable con una bandeja de goteo desechable Weber®, que le ayudará a mantener el plato recolector desmontable limpio durante más tiempo.

El limpiar el plato recolector desmontable es tan importante como la limpieza de la caja de cocción. Cada vez que vaya a usar la barbacoa, compruebe que no se haya acumulado grasa en el plato recolector desmontable. Elimine el exceso de grasa con una espátula de plástico (2). Lave el plato recolector desmontable con agua jabonosa y enjuáguelo con agua limpia.

**⚠ ADVERTENCIA: Previo a cada uso, revise si hay acumulación de grasa en el plato recolector desmontable o en la bandeja de goteo desechable. Elimine cualquier exceso de grasa para evitar un incendio. Un incendio de grasa puede causar lesiones corporales graves o daños materiales.**

**⚠ PRECAUCIÓN: No forre la caja de cocción, el plato recolector desmontable o la bandeja de goteo desechable con papel de aluminio.**



## OPERACIONES DEL SISTEMA DE ENCENDIDO

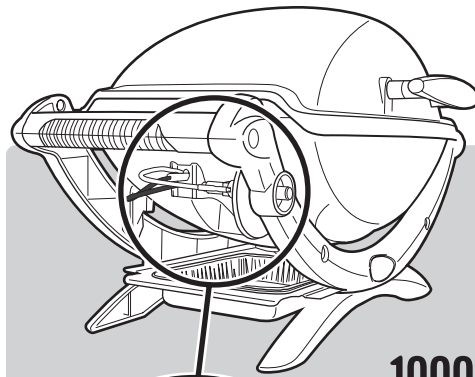
El encendedor suministra una chispa para el conjunto del electrodo de encendido. Ya sea que usted esté realizando un mantenimiento de rutina o llevando a cabo un chequeo para la resolución de un problema en el sistema de encendido, lea lo siguiente para mantener el sistema de encendido funcionando correctamente.

**⚠ ADVERTENCIA: Todos los controles de gas y válvulas de suministro deberán estar cerrados en la posición apagada (OFF).**

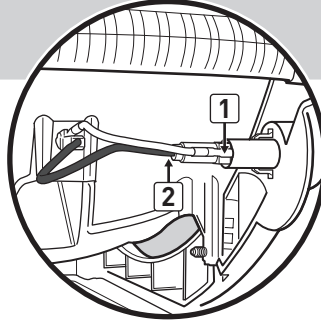
Si el encendedor de la barbacoa Q® no llegase a encenderse, tendrá que determinar dónde se origina el problema: con el flujo de gas o con el sistema de encendido. Comience tratando de encender el quemador con un cerillo. Consulte la sección "ENCENDIDO DEL QUEMADOR - Encendido con un cerillo". Si el encendido con un cerillo es exitoso, el problema está en el sistema de encendido.

## MANTENIMIENTO DEL SISTEMA DE BOTÓN DE ENCENDIDO (Q® 1000 & Q® 2000)

- Compruebe que tanto el cable de ignición blanco (1) como el negro (2) estén correctamente conectados.
- Verifique que el botón de encendido puede presionarse, que hace clic y que luego retorna a su posición hacia afuera.



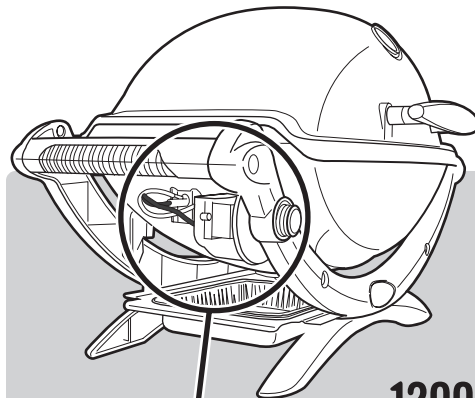
1000  
2000



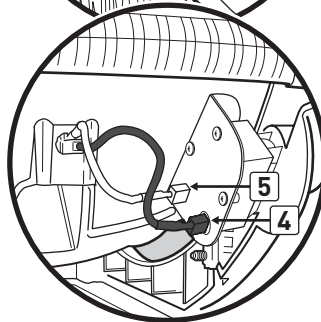
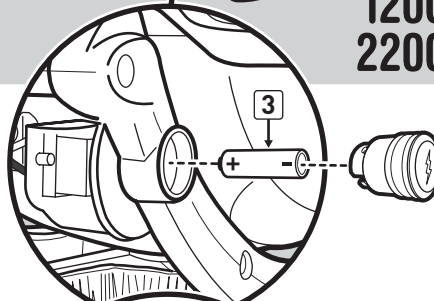
## MANTENIMIENTO DEL SISTEMA DE ENCENDIDO ELECTRÓNICO (Q® 1200 & Q® 2200)

- Verifique que la batería AAA (sólo alcalinas) esté en buen estado e instalada correctamente (3). Algunas baterías cuentan con un envoltorio protector de plástico alrededor de ellas. Este plástico debe ser quitado antes de instalar la batería. No confunda este plástico con la etiqueta de la batería.
- Asegúrese de que ambos cables de encendido estén correctamente conectados al módulo de encendido. El cable negro al terminal negro (4), el cable blanco al terminal blanco (5).
- Asegúrese de que el botón del encendido electrónico esté funcionando prestando atención de si hace "clic" y viendo si se están produciendo chispas en el quemador.

Si el sistema de encendido electrónico todavía no logra encender el quemador, contacte al Representante de Servicio a los Clientes en su zona usando la información de contacto en nuestro sitio web. Conéctese a [www.weber.com](http://www.weber.com)®.



1200  
2200



Para obtener las bandejas de goteo desechables y las parrillas de cocción de reemplazo, póngase en contacto con el distribuidor local en su zona o visite [www.weber.com](http://www.weber.com)®. Si necesita más ayuda, póngase en contacto con su Representante de Servicio al Cliente.







1000 1200 2000 2200

# MODE D'EMPLOI DU GRILL A GAZ PL

Assemblage - Pg. 4



Nous vous remercions pour votre achat d'un grill Weber.® Maintenant, veuillez consacrer quelques minutes pour le protéger en enregistrant votre produit en ligne sur [www.weber.com](http://www.weber.com).®

## **⚠ DANGER**

Si vous sentez une odeur de gaz :

- 1) Coupez l'admission de gaz de l'appareil.
- 2) Éteindre toute flamme nue.
- 3) Ouvrir le couvercle.
- 4) Si l'odeur persiste, appelez immédiatement votre fournisseur de gaz ou votre service des incendies.

Le non respect des instructions suivantes peut entraîner des dommages matériels, des blessures graves ou la mort résultant d'un incendie ou d'une explosion.

## **⚠ DANGER**

- 1) Ne jamais faire fonctionner cet appareil sans surveillance.
- 2) Ne jamais faire fonctionner cet appareil à moins de 10 pieds (3,05 m) d'une autre bouteille de gaz.
- 3) Ne jamais faire fonctionner cet appareil à moins de 25 pieds (7,5 m) d'un liquide inflammable.
- 4) Si un incendie devait se produire, restez loin de l'appareil et appeler immédiatement le service des incendies. Ne tentez pas d'éteindre l'huile ou la graisse en feu avec de l'eau.

Le non respect des instructions suivantes peut entraîner des dommages matériels, des blessures graves ou la mort résultant d'un incendie ou d'une explosion.

Cette notice contient des renseignements importants permettant un assemblage adéquat et à une utilisation sécuritaire de l'appareil.

Lire et suivre toutes les mises en garde et toutes les instructions avant l'assemblage et l'utilisation de l'appareil.

Suivre toutes les mises en garde et toutes les instructions lors de l'utilisation de l'appareil.

Conservez cette notice pour consultation ultérieure.

Suivez toutes les procédures de détection des fuites de ce manuel avec soin avant d'utiliser le barbecue. Faites-le même si le barbecue a été assemblé par le revendeur.

N'allumez pas cet appareil sans lire d'abord les sections traitant de l'allumage du brûleur de ce manuel.

**CET APPAREIL A GAZ EST  
CONCU POUR UNE UTILISATION  
EN EXTERIEUR UNIQUEMENT.**



**57503**

FC - FRENCH CANADIAN

## ⚠ DANGER

Le non respect des consignes de sécurité intitulées DANGER, MISE EN GARDE et ATTENTION de ce Mode d'emploi risquerait de provoquer des blessures graves voire un décès, ou risquerait de provoquer un incendie ou une explosion provoquant des dégâts matériels.

### MISES EN GARDE :

- ⚠ N'utilisez pas ce grill sauf si toutes les pièces sont en place. Le grill doit être monté correctement conformément aux instructions d'assemblage.
- ⚠ Votre grill à gaz Weber® ne devrait jamais être utilisé par des enfants. Les pièces accessibles du grill peuvent atteindre des températures très élevées. Maintenez les jeunes enfants et les animaux domestiques éloignés lorsque vous utilisez le grill.
- ⚠ Ce grill à gaz Weber® n'est pas conçu pour un usage commercial.
- ⚠ Ce grill à gaz Weber® n'est pas conçu pour servir de chauffage et il ne devrait jamais être utilisé à cette fin.
- ⚠ Faites preuve de prudence lorsque vous utilisez votre grill à gaz Weber®. Il devient chaud pendant la cuisson ou le nettoyage, et il ne devrait jamais être laissé sans surveillance, ni déplacé pendant son utilisation.
- ⚠ N'utilisez pas de charbon de bois ni de pierres de lave dans votre grill à gaz Weber®.
- ⚠ Lorsque vous allumez le grill ou que vous cuisinez, ne vous penchez jamais au-dessus d'un grill ouvert.
- ⚠ Ne placez jamais les mains ou les doigts sur l'extrémité avant du boîtier de cuisson lorsque le grill est chaud ou lorsque le couvercle est ouvert.
- ⚠ Ne tentez pas de débrancher le régulateur de gaz ni aucun raccord de gaz pendant que votre grill est en fonctionnement.
- ⚠ Utilisez des maniques ou des gants pour barbecue résistant à la chaleur lorsque vous utilisez le grill.
- ⚠ Utilisez le régulateur de pression qui est fourni avec votre grill à gaz Weber®.
- ⚠ Si le brûleur s'éteint pendant que vous utilisez le grill, fermez la valve de gaz. Ouvrez le couvercle puis patientez cinq minutes avant de tenter de rallumer le grill, en utilisant les instructions pour l'allumage.

- ⚠ N'utilisez pas le grill Weber® Q® dans un véhicule ni dans aucune zone de stockage ou de chargement d'aucun véhicule, y compris les voitures, les camions, les wagons de gares, les minivans, les véhicules de sport (SUV) ou les véhicules de loisirs (VL).
- ⚠ Ne placez pas le grill sur le verre ou sur une surface combustible.
- ⚠ N'intégrez ce modèle dans aucune structure intégrable ou encastrable. Le fait d'ignorer cette MISE EN GARDE risquerait de provoquer un incendie ou une explosion susceptible de provoquer des dégâts matériels et de provoquer des blessures graves voire un décès.
- ⚠ Ne conservez pas de bouteille de propane liquide supplémentaire (de rechange) ou de bouteille débranchée sous ou à proximité de ce grill.
- ⚠ Après une période de stockage et/ou d'inutilisable, le grill à gaz Weber® devrait faire l'objet d'une vérification afin de vérifier qu'il n'y a aucune fuite de gaz ni aucune obstruction au niveau du brûleur. Voir les instructions du présent Mode d'emploi pour connaître les procédures correctes.
- ⚠ N'utilisez pas le grill à gaz Weber® en cas de fuite de gaz.
- ⚠ N'utilisez pas de flamme pour effectuer la détection des fuites de gaz.
- ⚠ Ne couvrez pas le grill ou ne placez aucun objet inflammable sur le grill pendant que le grill est en fonctionnement ou pendant qu'il est chaud.
- ⚠ Le gaz propane liquide n'est pas du gaz naturel. La conversion ou la tentative d'utilisation de gaz naturel dans un appareil à gaz propane liquide ou de gaz propane liquide dans un appareil à gaz naturel est dangereuse et elle annulera votre garantie.
- ⚠ Maintenez tout cordon d'alimentation électrique ainsi que le tuyau d'arrivée de gaz à l'écart de toutes les surfaces chauffées.
- ⚠ N'élargissez pas l'orifice de la valve ni les ports du brûleur lorsque vous nettoyez la valve ou le brûleur.
- ⚠ Le grill à gaz Weber® devrait être nettoyé de manière approfondie régulièrement.
- ⚠ Si vous voyez, sentez ou entendez un sifflement de gaz qui s'échappe de la bouteille de propane liquide :
  1. Eloignez-vous de la bouteille de propane liquide.
  2. Ne tentez pas de corriger le problème vous-même.
  3. Appelez les pompiers.

- ⚠ En cas de feu de graisse, éteignez le brûleur et maintenez le couvercle fermé jusqu'à ce que le feu s'éteigne.
- ⚠ L'utilisation d'alcool, de médicaments délivrés sur ordonnance, de médicaments délivrés sans ordonnance, ou de drogues illicites risque d'altérer la capacité du consommateur à utiliser correctement et à assembler, à déplacer, à stocker ou à utiliser en toute sécurité l'appareil.

### MISES EN GARDE SUPPLEMENTAIRES POUR L'ETAT DE CALIFORNIE :

- ⚠ Les sous-produits de combustion produits lors de l'utilisation de ce produit contiennent des agents chimiques reconnus par l'État de Californie comme étant à l'origine de cancers, de malformations congénitales ou d'autres troubles de la reproduction.
- ⚠ Mise en garde relative à la Proposition 65 de l'État de Californie : Le fait de manipuler le cuivre présent dans ce produit vous expose au plomb, un agent chimique reconnu par l'État de Californie comme étant à l'origine de cancers, de malformations congénitales ou d'autres troubles de la reproduction. (Lavez-vous les mains après avoir manipulé ce produit.)



Merci d'avoir acheté un produit WEBER®. Weber-Stephen Products LLC (« Weber ») est fière d'offrir un produit sûr, fiable et durable.

Celle-ci est la garantie limitée de Weber qui vous est fournie sans frais supplémentaires. Elle contient les informations que vous aurez besoin d'avoir pour faire réparer produit WEBER® dans le cas improbable d'une panne ou de défaillance.

## RESPONSABILITÉS DE WEBER

Weber fournit à l'acheteur original du produit WEBER® (ou dans le cas d'un cadeau ou d'une situation promotionnel, la personne pour laquelle il a été acheté comme cadeau ou article promotionnel), que le produit WEBER® est exempt de défauts de matériaux et de fabrication pour la ou les périodes de temps spécifiées ci-dessous lorsqu'il est assemblé et utilisé conformément au Guide du Propriétaire qui l'accompagne. (Remarque : si vous perdez ou égarez votre Guide du Propriétaire WEBER®, un remplacement est disponible en ligne à [www.weber.com](http://www.weber.com).) Lorsque l'appareil est utilisé et entretenu dans une maison normale privée unifamiliale ou un appartement, Weber s'engage à réparer ou remplacer les pièces défectueuses dans les délais, limitations et exclusions applicables énumérées ci-dessous. CETTE GARANTIE LIMITÉE S'APPLIQUE UNIQUEMENT À L'ACHETEUR ORIGINAL ET N'EST PAS TRANSFÉRABLE À DES PROPRIÉTAIRES ULTÉRIEURS, SAUF DANS LE CAS DE CADEAUX ET D'ARTICLES PROMOTIONNELS COMME INDIQUÉ PLUS HAUT.

## RESPONSABILITÉS DU PROPRIÉTAIRE

Pour assurer une période de garantie sans problèmes, il est important d'inscrire votre produit WEBER® en ligne à [www.weber.com](http://www.weber.com) ou via le Service à la clientèle Weber au 1-800-446-1071. S'il vous plaît, conservez également votre bon d'achat et/ou la facture original. L'enregistrement de votre produit WEBER® confirme la couverture de votre garantie et fournit un lien direct entre vous et Weber au cas où nous devrions vous contacter.

Le propriétaire doit prendre un soin raisonnable du produit WEBER® et suivre toutes les instructions de montage, d'utilisation et d'entretien préventif, comme indiqué dans le Guide du Propriétaire l'accompagnant. Si vous habitez dans une zone côtière, où que votre produit est situé près d'une piscine, l'entretien régulier comprend le lavage et le rinçage des surfaces extérieures comme indiqué dans le Guide du Propriétaire l'accompagnant. Si vous croyez que vous avez une pièce qui est couverte par cette garantie limitée, s'il vous plaît contactez le Service clientèle Weber au 1-800-446-1071 ou par courriel à [support@weberstephen.com](mailto:support@weberstephen.com). Weber, après enquête, réparera ou remplacera (à sa discrétion) la pièce défectueuse couverte par cette garantie limitée. Dans le cas où la réparation ou le remplacement ne sont pas possibles, Weber peut choisir (à sa discrétion) de remplacer le barbecue en question par un nouveau barbecue de valeur égale ou supérieure. Weber peut vous demander de retourner les pièces pour l'inspection, frais d'expédition payés d'avance.

Cette garantie limitée ne couvre pas les dommages, la détérioration, la décoloration et/ou la rouille causée par :

- L'abus, le mauvais usage, la modification, la mauvaise application, le vandalisme, la négligence, le montage ou l'installation incorrecte, et l'incapacité d'effectuer correctement l'entretien normal et routinier ;
- Les insectes (comme les araignées) et les rongeurs (comme les écureuils), y compris mais non limité aux dommages causés aux tubes du brûleur et/ou aux canalisations de gaz ;
- L'exposition à l'air salin et/ou aux sources de chlore telles que les piscines et les cuves thermales/spas ;
- Conditions météorologiques extrêmes comme la grêle, les ouragans, les tremblements de terre, les tsunamis ou les marées de tempête, les tornades et les tempêtes sévères.

L'utilisation et/ou l'installation de pièces sur votre produit WEBER® qui ne sont pas des pièces d'origine Weber annulera cette garantie limitée, et les dommages qui en résultent ne sont pas couverts par cette garantie limitée. Toute conversion d'un barbecue à gaz qui n'est ni autorisée par Weber et ni effectuée par un technicien agréé Weber annulera cette garantie limitée.

Les grills illustrés dans ce Mode d'emploi peuvent varier légèrement par rapport au modèle acheté.

## PÉRIODES DE GARANTIE DU PRODUIT

Cuve de cuisson : 5 ans, pas de perçage par la rouille ou par brûlage (2 ans pour la peinture sauf dégradation ou décoloration)

Assemblage du couvercle : 5 ans, pas de perçage par la rouille ou par brûlage (2 ans pour la peinture sauf dégradation ou décoloration)

Tubes de brûleur en acier inox : 5 ans contre la perforation par rouille/brûlage

Grilles de cuisson en fonte émaillée : 5 ans contre la perforation par rouille/brûlage

Composants en plastique : 5 ans, excluant la dégradation ou la décoloration

Toutes les autres pièces : 2 ans

## EXCLUSIONS

WEBER NE DONNE AUCUNE GARANTIE IMPLICITE, Y COMPRIS, SANS LIMITATION, TOUTE GARANTIE IMPLICITE DE QUALITÉ MARCHANDE OU D'ADAPTATION À UN USAGE PARTICULIER, AUTRE QUE CELLE EXPRIMÉE DANS CETTE GARANTIE LIMITÉE. AUCUNE GARANTIE NE S'APPLIQUE APRÈS LES PÉRIODES APPLICABLES DE LA PRÉSENTE GARANTIE LIMITÉE. AUCUNE AUTRE GARANTIE ACCORDÉE PAR TOUTE PERSONNE OU ENTITÉ, Y COMPRIS UN CONCESSIONNAIRE OU DÉTAILLANT CONCERNANT LES PRODUITS (COMME TOUTES « GARANTIES PROLONGÉES »), NE LIE WEBER. LE SEUL RECOURS DE CETTE GARANTIE LIMITÉE EST LA RÉPARATION OU LE REMPLACEMENT DE LA PIÈCE OU DU PRODUIT. LES TERMES DE CETTE GARANTIE LIMITÉE CONSTITUENT LE RECOURS UNIQUE ET EXCLUSIF INHÉRENT DE LA VENTE DES PRODUITS COUVERTS PAR LES PRÉSENTES. WEBER NE SERA PAS RESPONSABLE DES PERTES OU DOMMAGES SPÉCIAUX, INDIRECTS, INDIRECTS OU CONSÉCUTIFS. CERTAINES JURIDICTIONS NE PERMETTENT PAS L'EXCLUSION OU LA LIMITATION DES DOMMAGES DIRECTS OU INDIRECTS, OU LES LIMITATIONS DE LA DURÉE D'UNE GARANTIE IMPLICITE, DE SORTES QUE LES EXCLUSIONS OU LES LIMITATIONS CI-DESSUS PEUVENT NE PAS S'APPLIQUER À VOUS.

EN AUCUN CAS LA RECOURVEMENT DE QUELQUE NATURE QUE CE SOIT NE SERA PLUS GRANDE QUE LE MONTANT DU PRIX D'ACHAT DU PRODUIT VENDU WEBER.

VOUS ASSUMEZ LES RISQUES ET RESPONSABILITÉS POUR LA PERTE, LES DOMMAGES OU LES BLESSURES À VOUS ET VOTRE PROPRIÉTÉ ET/OU AUX AUTRES ET À LEURS BIENS DU FAIT DE L'UTILISATION INCORRECTE OU ABUSIF DU PRODUIT OU LA NÉGLIGENCE DE SUIVRE LES INSTRUCTIONS FOURNIES PAR WEBER DANS LE GUIDE DU PROPRIÉTAIRE L'ACCOMPAGNANT.

CETTE GARANTIE LIMITÉE VOUS DONNE DES DROITS SPÉCIFIQUES ET VOUS POUVEZ AVOIR D'AUTRES DROITS QUI PEUVENT VARIER DANS DIFFÉRENTES JURIDICTIONS.

LES PIÈCES ET ACCESSOIRES REMPLACÉS SOUS CETTE GARANTIE LIMITÉE SONT GARANTIS POUR LA BALANCE DE LA OU LES PÉRIODES DE GARANTIE INITIALE.

CETTE GARANTIE LIMITÉE S'APPLIQUE À L'UTILISATION DANS UNE MAISON PRIVÉE OU EN APPARTEMENT SEULEMENT ET NE COUVRE PAS LES BARBECUES WEBER DANS LES ÉTABLISSEMENTS COMMERCIAUX, COMMUNAUTAIRES OU EMBLEMES MULTIPLES TELS QUE LES RESTAURANTS, LES HÔTELS, CLUBS OU IMMEUBLES LOCATIFS.

WEBER PEUT DE TEMPS EN TEMPS MODIFIER LA CONCEPTION DE SES PRODUITS. RIEN DANS CE GARANTIE LIMITÉE SERA INTERPRÉTÉ COMME UNE OBLIGATION POUR WEBER D'INTÉGRER CES MODIFICATIONS DE CONCEPTIONS AUX PRODUITS FABRIQUÉS ANTÉRIEUREMENT, ET AUCUNE DE CES MODIFICATIONS NE SERA CONSIDÉRÉE COMME UNE ADMISSION QUE LES CONCEPTIONS PRÉCÉDENTES ÉTAIENT DÉFECTUEUSES.

WEBER-STEPHEN PRODUCTS LLC  
Product Registration  
P.O. Box 40530  
Burlington, ON L7P 4W1

Pour des pièces de rechange, appelez le :  
1-800-265-2150

LISTE DES PIÈCES.....	4
ASSEMBLAGE .....	5
WEBER® Q® 1000 VUE ECLATEE.....	6
WEBER® Q® 1200 VUE ECLATEE.....	7
WEBER® Q® 2000 VUE ECLATEE.....	8
WEBER® Q® 2200 VUE ECLATEE.....	9
MISES EN GARDE .....	40
GARANTIE.....	41
TABLE DES MATIERES .....	41
INFORMATIONS IMPORTANTES CONCERNANT LE GAZ PL & LES RACCORDS DE GAZ .....	42
QU'EST-CE QUE LE GAZ PL ? .....	42
CONSEILS POUR UNE MANIPULATION SANS DANGER DES BOUTEILLES DE PL .....	42
STOCKAGE ET/OU INUTILISATION .....	42
CODES D'INSTALLATION DES USA .....	42
CODES CANADIENS D'INSTALLATION .....	42
RACCORDS DU REGULATEUR .....	42
ALIMENTATION DE VOTRE GRILL .....	42
INSTALLATION DE LA BOUTEILLE DE PL .....	42
RETRAIT DE LA BOUTEILLE DE PL .....	42
SE PREPARER A UTILISER LE GRILL .....	43
QU'EST-CE QU'UNE DÉTECTION DES FUITES ?.....	43
DÉTECTION DES FUITES DE GAZ.....	43
CONTROLES DE SECURITE AVANT L'UTILISATION DU GRILL.....	44
LA SECURITE AVANT TOUT.....	44
BAC DE RECUPERATION DES GRAISSES AMOVIBLE ET EGOUTTOIR JETABLE .....	44
CONSEILS & ASTUCES POUR LES GRILLADES .....	45
CONSEILS & ASTUCES .....	45
PRECHAUFFAGE .....	45
CUISSON COUVERTE.....	45
DISPOSITIF DE RECUPERATION DES GRAISSES .....	45
ALLUMAGE DU BRULEUR & UTILISATION .....	46
METHODS POUR L'ALLUMAGE DU BRULEUR .....	46
ALLUMAGE DU BRULEUR .....	46
POUR ETEINDRE LE BRULEUR .....	46
ALLUMAGE DU BRULEUR – Allumage avec une allumette .....	47
POUR ETEINDRE LE BRULEUR .....	47
DEPANNAGE.....	48
MAINTENANCE ANNUELLE .....	49
CONSERVER VOTRE GRILL WEBER® EN PARFAIT ÉTAT .....	49
FORME DE LA FLAMME DU BRÛLEUR .....	49
GRILLE(S) ANTI-ARAIGNÉES/INSECTES WEBER® .....	49
PORTS DU TUBE DU BRÛLEUR .....	49
NETTOYAGE OU REMPLACEMENT DU TUBE DU BRÛLEUR .....	50
MAINTENANCE DE ROUTINE .....	51
MAGNIFIQUE—DEDANS COMME DEHORS.....	51
NETTOYAGE DE L'EXTERIEUR DU GRILL .....	51
NETTOYAGE DE L'INTERIEUR DU GRILL.....	51
UTILISATION DU DISPOSITIF D'ALLUMAGE .....	52
MAINTENANCE DU DISPOSITIF D'ALLUMAGE A BOUTON-POUSSOIR (Q® 1000 & Q® 2000) .....	52
MAINTENANCE DU DISPOSITIF D'ALLUMAGE ELECTRONIQUE (Q® 1200 & Q® 2200) .....	52

## QU'EST-CE QUE LE GAZ PL ?

Le gaz pétrole liquéfié, également appelé GPL ou PL, propane liquide ou simplement propane ou butane, est le produit inflammable dérivé du pétrole utilisé pour alimenter votre grill. Il est à l'état gazeux lorsque les températures et les pressions sont modérées et lorsqu'il n'est pas enfermé dans un récipient. Mais soumis à une pression modérée à l'intérieur d'un conteneur, comme une bouteille de gaz, le PL est liquide. Au fur et à mesure que la pression est dégagée de la bouteille de gaz, le liquide se vaporise rapidement et devient le gaz PL.

- Le PL dégage une odeur similaire à celle du gaz naturel. Vous devriez être familiarisé avec cette odeur.
- Le PL est plus lourd que l'air. En cas de fuite de gaz, le PL peut s'accumuler dans les zones basses et résister à la dispersion.

### ⚠ DANGER

**Ne conservez JAMAIS une bouteille de PL de rechange sous ou à proximité d'un appareil à gaz Weber®. Le non respect de cette consigne de sécurité exactement risque de provoquer un incendie entraînant un décès ou une blessure grave.**

## CONSEILS POUR UNE MANIPULATION SANS DANGER DES BOUTEILLES DE PL

Il existe diverses consignes et divers facteurs de sécurité que vous devez garder à l'esprit lorsque vous utilisez du gaz PL. Suivez attentivement ces instructions avant d'utiliser votre grill à gaz Weber®.

- N'utilisez pas une bouteille de LP détériorée, enfoncée ou rouillée.
- Manipulez les bouteilles de PL "vides" avec le même soin que celui que vous apportez aux bouteilles de gaz pleines. Même lorsqu'une bouteille de PL est vide de tout liquide, elle peut encore contenir du gaz sous pression.
- Les bouteilles de PL ne devraient pas être lâchées ni manipulées sans précaution.
- Ne stockez ou ne transportez jamais la bouteille de PL quelque part où la température peut atteindre 125° F (51,7° C) (la bouteille de gaz va devenir trop chaude pour pouvoir être manipulée à la main). Par exemple : ne laissez pas la bouteille de PL dans une voiture par une journée chaude.
- Les bouteilles de PL doivent être conservées hors de portée des enfants.

## STOCKAGE ET/OU INUTILISATION

Pour les grills qui ont été stockés ou qui ont été inutilisés pendant une période prolongée, il est important de suivre les consignes ci-dessous :

- Débranchez la bouteille si : 1) elle est vide ; 2) le grill est stocké dans un garage ou une autre zone confinée ; 3) le grill est en train d'être transporté.
- Placez un cache anti-poussière sur la sortie de la valve de la bouteille de gaz lorsque la bouteille de gaz est inutilisée.
- Ne stockez pas une bouteille de PL débranchée dans un bâtiment, un garage, ou toute autre zone confinée.
- Le grill à gaz Weber® devrait faire l'objet d'une détection des fuites de gaz et des obstructions éventuelles à l'intérieur des tubes du brûleur avant toute utilisation. (Voir "DETECTION DES FUITES DE GAZ" et "MAINTENANCE ANNUELLE.")
- Vérifiez si les zones situées sous le boîtier de cuisson et le bac de récupération des graisses amovible sont dégagées de tout débris susceptible de faire obstruction à la circulation de l'air nécessaire à la combustion et à la ventilation.
- La grille anti-araignées/insectes devrait également faire l'objet d'un contrôle de détection des obstructions. (Voir "MAINTENANCE ANNUELLE.")

## CODES D'INSTALLATION DES USA

L'installation doit se conformer aux codes locaux ou, en l'absence de codes locaux, avec le code national relatif aux gaz combustibles, ANSI Z223.1/NFPA 54.

## CODES CANADIENS D'INSTALLATION

Les présentes instructions, bien que généralement acceptables, ne respectent pas nécessairement les codes canadiens d'installation, en particulier en ce qui concerne les canalisations au-dessus et au-dessous du sol. Au Canada, l'installation de cet appareil doit respecter les codes locaux et/ou la dernière édition de la Norme CAN/CSA-B149.2 (Code relatif au stockage et à la manipulation de propane).

*REMARQUE : Votre détaillant peut vous aider à trouver une bouteille de gaz de rechange pour votre grill.*

## RACCORDS DU REGULATEUR

Votre grill à gaz Weber® est équipé d'un régulateur de pression, qui est un dispositif permettant de contrôler et de maintenir une pression de gaz uniforme au fur et à mesure que du gaz est dégagé en provenance de la bouteille de PL. Chaque régulateur de pression Weber® est conçu pour une élimination de la vapeur.

- Le régulateur de pression fourni avec le grill à gaz Weber® doit être utilisé. Ce régulateur est paramétré pour 11 pouces de pression de colonne d'eau.

## ALIMENTATION DE VOTRE GRILL

Avant d'utiliser votre grill pour la première fois, vous devez acheter une bouteille de PL. Vous pouvez choisir d'acheter une bouteille de PL de rechange afin de ne pas être à court de combustible au milieu de la cuisson d'un repas.

## INSTALLATION DE LA BOUTEILLE DE PL

Utilisez des bouteilles de PL jetables d'une contenance de 14,1 onces ou 16,4 onces équipées de raccords CGA #600.

**⚠ ATTENTION : Utilisez des bouteilles de gaz marquées de la mention "Combustible propane" uniquement.**

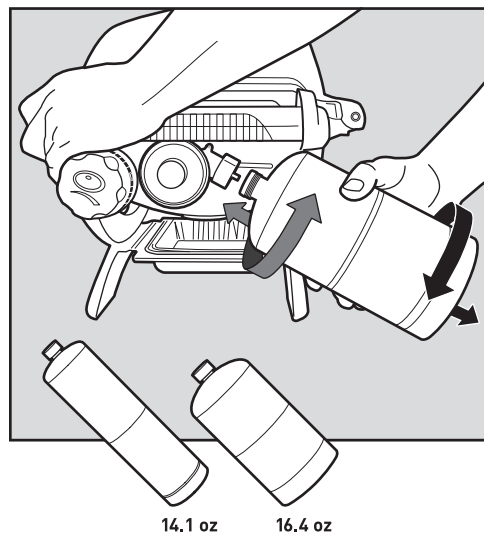
- Assurez-vous que le bouton de commande du brûleur est en position d'arrêt en l'enfonçant et en le tournant dans le sens des aiguilles d'une montre vers la position d'arrêt (O).
- Tout en tenant la poignée de transport au plus près de la bouteille de propane dans le régulateur puis tournez dans le sens des aiguilles d'une montre jusqu'à ce que cela soit serré (1).

**⚠ MISE EN GARDE : N'utilisez pas de clé pour serrer le raccord. L'utilisation d'une clé risquerait de détériorer le couplage du régulateur, ce qui risquerait de provoquer une fuite.**

## RETRAIT DE LA BOUTEILLE DE PL

Lorsque votre bouteille de PL doit être remplacée, suivez ces instructions pour la retirer.

- Assurez-vous que le bouton de commande du brûleur est positionné sur arrêt en l'enfonçant et en le tournant dans le sens des aiguilles d'une montre vers la position d'arrêt (O).
- Tout en tenant la poignée de transport au plus près de la bouteille de propane d'une main, dévissez la bouteille de propane du régulateur.



## QU'EST-CE QU'UNE DÉTECTION DES FUITES ?

Le système d'alimentation de votre grill est composé de connexions et de raccords. Une détection des fuites est une méthode fiable pour vous assurer qu'il n'y a pas de gaz qui s'échappe de l'une des connexions ou de l'un des raccords.

Bien que tous les raccords réalisés en usine aient fait l'objet d'une détection approfondie des fuites de gaz, il est important d'effectuer une détection des fuites de gaz avant d'utiliser votre grill pour la première fois, ainsi qu'à chaque fois que vous débranchez puis rebranchez un raccord et à chaque fois que vous effectuez une maintenance de routine.

### ⚠ DANGER

N'utilisez pas de flamme pour effectuer la détection des fuites de gaz. Assurez-vous qu'il n'y a pas d'étincelles ni de flammes nues dans la zone où vous détectez les fuites. Des étincelles ou des flammes nues provoqueraient un incendie ou une explosion, susceptibles d'entraîner des blessures graves ou un décès ainsi que des dégâts matériels.

⚠ **MISE EN GARDE** : Les raccords de gaz de votre grill à gaz ont été testés en usine. Néanmoins, nous vous recommandons de vérifier la totalité des raccords de gaz avant d'utiliser votre grill à gaz.

⚠ **MISE EN GARDE** : Effectuez ces contrôles de détection des fuites même si votre grill a été assemblé par un revendeur ou dans une boutique.

⚠ **MISE EN GARDE** : Vous devriez détecter les fuites de gaz à chaque fois que vous débranchez puis rebranchez un raccord de gaz.

REMARQUE : La totalité des raccords effectués en usine a fait l'objet d'un contrôle approfondi de détection des fuites et

le brûleur a été testé à la flamme. Par mesure de sécurité, toutefois, vous devriez vérifier la totalité des raccords afin de détecter toute fuite éventuelle avant d'utiliser votre grill à gaz Weber®. L'expédition et la manutention risquent de desserrer ou de détériorer un raccord de gaz.

### DÉTECTION DES FUITES DE GAZ

Il vous faudra : Une bouteille d'aérosol ou une brosse ou un chiffon et une solution d'eau savonneuse. (Vous pouvez préparer votre propre solution d'eau savonneuse en mélangeant 20% de savon liquide avec 80% d'eau ; ou, vous pouvez acheter une solution de détection des fuites au rayon plomberie de n'importe quelle quincaillerie.)

A) Assurez-vous que le bouton de commande du brûleur est éteint en l'enfonçant et en le tournant dans le sens des aiguilles d'une montre vers la position d'arrêt (O).

⚠ **MISE EN GARDE** : N'allumez pas le brûleur pendant que vous détectez les fuites.

B) Pour détecter les fuites, humidifiez les raccords à l'aide de la solution d'eau savonneuse, à l'aide d'une bouteille d'aérosol, d'une brosse ou d'un chiffon. Si des bulles se forment, ou si une bulle grossit, cela signifie qu'il y a une fuite. Appliquez la solution d'eau savonneuse sur les raccords suivants :

a) Raccord régulateur-vers-bouteille de gaz (1).

⚠ **MISE EN GARDE** : En cas de fuite au niveau du raccord (1), retirez la bouteille de propane. N'UTILISEZ PAS LE GRILL. Installez une bouteille de propane différente puis détectez à nouveau les fuites à l'aide de la solution d'eau savonneuse. Si une fuite persiste après l'installation d'une bouteille de propane différente, retirez la bouteille de propane. N'UTILISEZ PAS LE GRILL. Contactez le Représentant du Service clientèle le plus proche à l'aide des coordonnées à votre disposition sur notre site Internet. Connectez-vous sur [www.weber.com](http://www.weber.com)®.

b) Raccord valve-vers-régulateur (2).

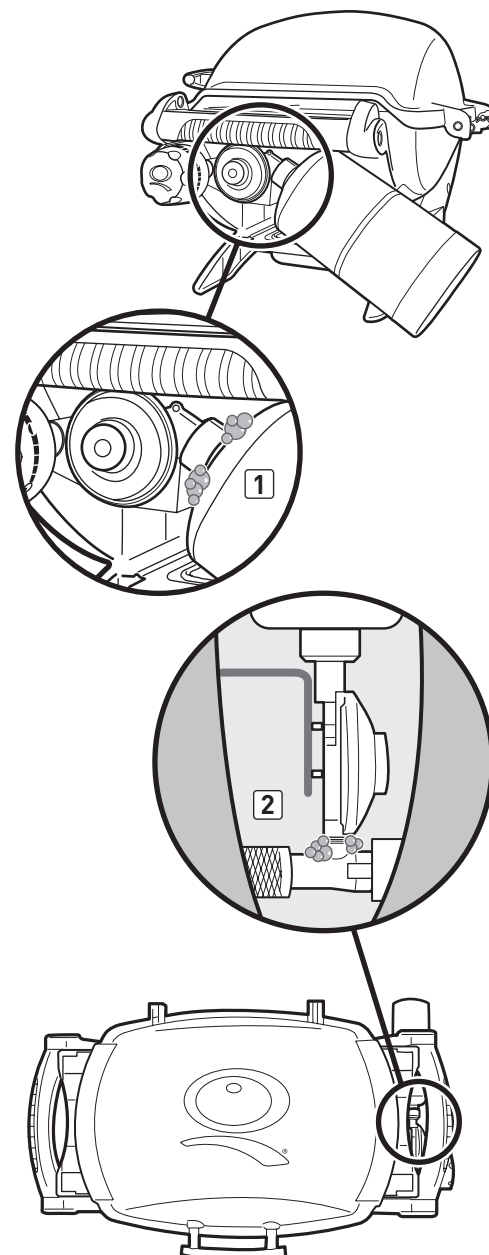
⚠ **MISE EN GARDE** : En cas de fuite au niveau du raccord (2), retirez la bouteille de propane. N'UTILISEZ PAS LE GRILL. Contactez le Représentant du Service clientèle le plus proche à l'aide des coordonnées à votre disposition sur notre site Internet.

Connectez-vous sur [www.weber.com](http://www.weber.com)®.

C) Lorsque la détection des fuites est terminée, rincez les raccords à l'eau.

REMARQUE : Dans la mesure où certaines solutions de détection des fuites, notamment l'eau savonneuse, risquent de s'avérer légèrement corrosives, la totalité des raccords devrait être rincée à l'eau une fois la détection des fuites effectuée.

Maintenant, vous êtes prêt à utiliser votre grill.



## LA SECURITE AVANT TOUT

Il est préférable de prendre l'habitude d'effectuer quelques contrôles de sécurité avant de faire vos grillades.

**Vous devez prendre en compte la sécurité lorsque vous décidez où positionner et utiliser votre grill. Assurez-vous de lire les mises en gardes suivantes avant d'installer ou d'utiliser votre grill.**

### MISES EN GARDE :

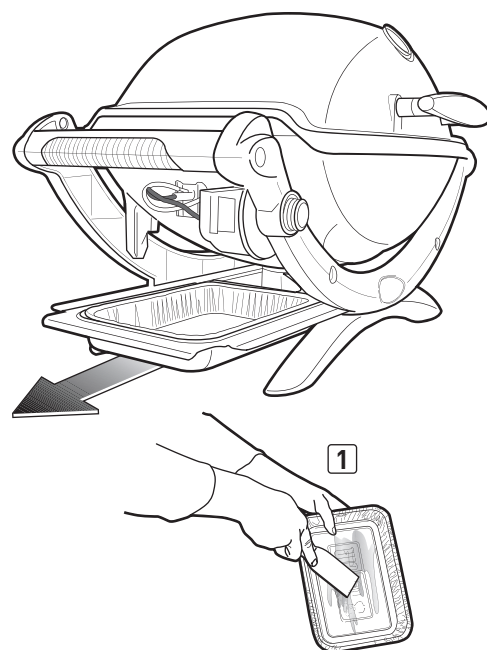
- ⚠ Utilisez ce grill uniquement en extérieur dans une zone bien ventilée. Ne l'utilisez pas dans un garage, un bâtiment, un passage couvert ou toute autre zone confinée.
- ⚠ Votre grill à gaz Weber® ne doit pas être utilisé sous une structure suspendue inflammable.
- ⚠ Votre grill à gaz Weber® n'est pas conçu pour être installé dans ou sur des véhicules de tourisme et/ou des bateaux.
- ⚠ Maintenez la zone de cuisson dégagée de toutes vapeurs et de tous liquides inflammables comme de l'essence, de l'alcool, etc., ainsi que de toute matière inflammable.
- ⚠ La totalité du boîtier de cuisson devient chaude pendant l'utilisation. Ne pas toucher.
- ⚠ Ne déplacez pas le grill à gaz Weber® pendant son utilisation ou lorsque le grill est chaud.
- ⚠ Lorsque vous cuisinez, l'appareil doit être sur une surface plane et stable dans une zone dégagée de tout matériau inflammable. Une surface en asphalte (partie supérieure noire) peut ne pas être acceptable à cette fin.

## BAC DE RECUPERATION DES GRAISSES AMOVIBLE ET EGOUTTOIR JETABLE

Votre grill a été pourvu à la conception d'un dispositif de récupération des matières grasses, qui canalise la graisse afin de l'éloigner des aliments, vers un bac de récupération amovible. Pour que cela soit plus pratique encore, vous pouvez également recouvrir le bac de récupération jetable d'un égouttoir jetable Weber®, ce qui contribuera à maintenir plus longtemps la propreté du bac de récupération des graisses amovible.

Le nettoyage du bac de récupération des graisses amovible est tout aussi important que le nettoyage du boîtier de cuisson. Vérifiez le bac de récupération des graisses amovible afin de détecter toute accumulation de matière grasse à chaque fois que vous utilisez votre grill. Retirez tout excès de matière grasse à l'aide d'un grattoir en plastique (1). Lavez l'égouttoir jetable à l'aide d'une solution d'eau savonneuse puis rincez à l'eau claire.

- ⚠ **MISE EN GARDE : Vérifiez l'égouttoir jetable ou le bac de récupération des graisses amovible afin de détecter toute accumulation de matière grasse avant chaque utilisation. Retirez tout excès de matière grasse afin d'éviter un embrasement de la matière grasse. Un feu de matière grasse risquerait de provoquer des blessures graves ainsi que des dégâts matériels.**
- ⚠ **ATTENTION : Ne recouvrez pas le boîtier de cuisson, l'égouttoir jetable ni le bac de récupération des graisses amovible avec du papier aluminium.**



## CONSEILS & ASTUCES

- Préchauffez toujours le grill avant la cuisson. Réglez le(s) brûleur(s) sur température élevée puis fermez le couvercle ; préchauffez pendant 10 à 15 minutes.
- La température de votre grill à gaz peut s'élever davantage que lors d'un fonctionnement normal au cours des premières utilisations.
- Les durées de grillade fournies dans les recettes sont basées sur des températures extérieures de 70°F (21°C) et avec peu voire pas de vent. Laissez les aliments cuire plus longtemps lorsque les journées sont froides ou venteuses, ou lorsque l'altitude est plus élevée. Laissez les aliments cuire moins longtemps lorsque le temps est extrêmement chaud.
- Les conditions de grillade peuvent nécessiter un ajustement des boutons de commande du brûleur afin d'atteindre les températures de cuisson correctes.
- Saisissez les viandes et cuisez avec le couvercle fermé pour obtenir des aliments parfaitement grillés à chaque fois.
- Le fait d'entasser les aliments sur une grille de cuisson signifie qu'une durée de cuisson plus longue sera nécessaire pour cuire les aliments.
- Retirez l'excès de matière grasse des steaks, des côtes et des rôtis, et ne laissez pas plus de ¼ de pouce (6,4 mm) de matière grasse. Le fait qu'il y ait moins de matière grasse rend le nettoyage plus facile, et cela constitue presque une garantie contre les embrasements indésirables.
- En général, les gros morceaux de viande nécessitent une durée de cuisson plus longue par livre (kilo) par rapport aux petits morceaux de viande.
- Certains aliments, comme les plats mijotés ou les filets fins de poisson, nécessitent l'utilisation d'un récipient pour la grillade. Les plats jetables en aluminium sont très pratiques, mais tout type de plat métallique ayant des poignées qui résistent au four peut également être utilisé.
- Les aliments dans des récipients, comme les haricots, nécessitent une durée de grillade plus longue dans un plat profond par rapport au temps nécessaires si vous utilisez un plat à grillade peu profond.
- Utilisez des pinces plutôt qu'une fourchette pour retourner et manipuler la viande afin d'éviter de perdre les jus naturels. Utilisez deux spatules pour manipuler des poissons entiers de grande taille.
- Assurez-vous toujours que le boîtier de cuisson et l'égouttoir jetable sont propres et qu'ils ne contiennent aucun débris.
- Ne couvrez pas le boîtier de cuisson avec du papier aluminium. Ceci risquerait d'empêcher la graisse de s'écouler vers l'égouttoir jetable.
- En cas d'embrasement indésirable, éteignez le(s) brûleur(s) puis déplacez les aliments vers une autre zone de la grille de cuisson. Toute flamme résiduelle devrait rapidement disparaître. Une fois les flammes éteintes, rallumez le grill. **N'UTILISEZ JAMAIS D'EAU POUR ETEINDRE DES FLAMMES SUR UN GRILL A GAZ.**
- L'utilisation d'un minuteur vous permettra d'être averti lorsque "bien cuit" sera sur le point de devenir "trop cuit".
- Une légère couche d'huile aidera à faire dorer les aliments de façon uniforme et les empêchera de coller à la grille de cuisson. Brossez ou aspergez toujours l'huile sur vos aliments, pas directement sur la grille de cuisson.
- Lorsque vous utilisez une marinade, une sauce ou un glaçage à haute teneur en sucre ou tout autre aliment qui brûle facilement, badigeonnez les aliments uniquement pendant les 5 à 10 dernières minutes du barbecue.

## PRECHAUFFAGE

Il est important de préchauffer le grill avant de commencer les grillades. Pour préchauffer : Allumez votre grill conformément aux instructions du présent Mode d'emploi ; ensuite, positionnez le(s) brûleur(s) sur la position démarrer/élevé (H), fermez le couvercle et préchauffez le grill. Ceci va prendre 10 à 15 minutes en fonction de conditions comme la température ambiante et le vent. Après le préchauffage, vous pouvez ajuster le(s) brûleur(s) selon vos souhaits.

**⚠ MISE EN GARDE : Si le(s) brûleur(s) s'éteint/s'éteignent alors que le grill est en fonctionnement, fermez le bouton/tous les boutons de commande du brûleur/des brûleurs. Ouvrez le couvercle et patientez cinq minutes avant de tenter de rallumer le grill, en utilisant les instructions pour l'allumage.**

## CUISSON COUVERTE

Toute la grillade est effectuée avec le couvercle fermé afin d'assurer une circulation uniforme et homogène de la chaleur. Avec le couvercle fermé, le grill à gaz cuit d'une manière qui ressemble beaucoup à la cuisson dans un four à convection. Le thermomètre dans le couvercle, une fonctionnalité de certains de nos grills, indique la température à l'intérieur du grill. La totalité du préchauffage et des grillades s'effectue avec le couvercle fermé. Ne regardez pas — le grill perd de la chaleur à chaque fois que vous soulevez le couvercle.

## DISPOSITIF DE RECUPERATION DES GRAISSES

La conception unique de la grille de cuisson propose des rails en fonte de fer avec angles qui renvoient les gouttes loin du/des tube(s) du brûleur, empêchant ainsi tout embrasement susceptible de carboniser les aliments. Le reste des gouttes tombe dans un bac de récupération des graisses amovible qui se glisse facilement vers l'extérieur pour le nettoyage.

Pour plus d'astuces et de recettes pour vos grillades, visitez [www.weber.com](http://www.weber.com)®.

## METHODS POUR L'ALLUMAGE DU BRULEUR

Il existe deux façons d'allumer le brûleur. La première consiste à utiliser le dispositif d'allumage intégré à votre grill. La seconde s'effectue à l'aide d'une allumette.

Vous trouverez ci-après les étapes pour l'allumage de votre grill à l'aide du dispositif d'allumage. Sur la page suivante, vous trouverez les étapes pour l'allumage de votre grill à l'aide d'une allumette.

Vous trouverez des instructions résumées pour l'allumage sur la tablette rabattable de droite (Q® 1200, Q® 2000, Q® 2200).

### ALLUMAGE DU BRULEUR

A) Ouvrez le couvercle du grill (1).

#### ⚠ DANGER

**Le fait de ne pas ouvrir le couvercle avant d'allumer le brûleur du grill, ou de ne pas patienter cinq minutes pour laisser le gaz se dissiper si le grill ne s'allumait pas, risque d'entraîner un embrasement explosif susceptible de provoquer des blessures graves voire un décès.**

- B) Dépliez les tablettes rabattables (2) (Q® 1200, Q® 2000, Q® 2200).
- C) Assurez-vous que le bouton de commande du brûleur est en position d'arrêt (O) (3). Vérifiez en enfonceant le bouton de commande du brûleur et en le tournant dans le sens des aiguilles d'une montre jusqu'à ce qu'il s'arrête.
- D) Confirmez que la bouteille de gaz est correctement installée. Voir "INSTALLATION DE LA BOUTEILLE DE PL."
- E) Enfoncez le bouton de commande du brûleur puis tournez-le dans le sens inverse des aiguilles d'une montre vers démarrer/élevé (4) (4).
- F1) Enfoncez le bouton de l'allumeur plusieurs fois, afin qu'il émette un déclic à chaque fois (5a) (Q® 1000, Q® 2000).  
**OU**
- F2) Maintenez enfoncé le bouton de l'allumeur électronique (5b) (Q® 1200, Q® 2200). Vous entendrez l'allumeur émettre un déclic.
- G) Vérifiez si le brûleur est allumé en regardant à travers les grilles de cuisson. Vous devriez voir une flamme.

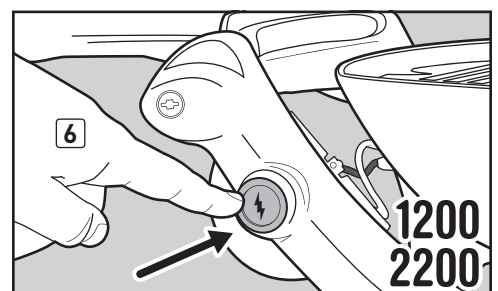
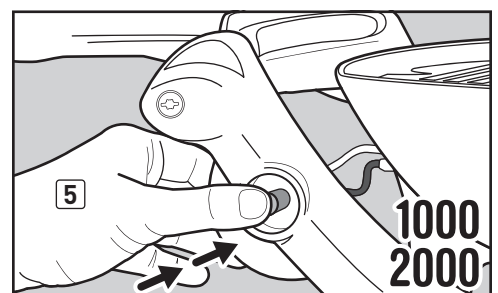
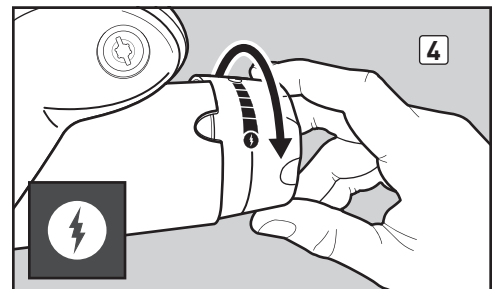
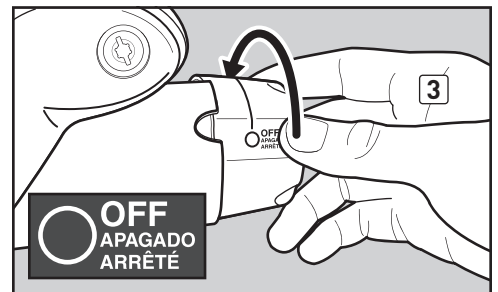
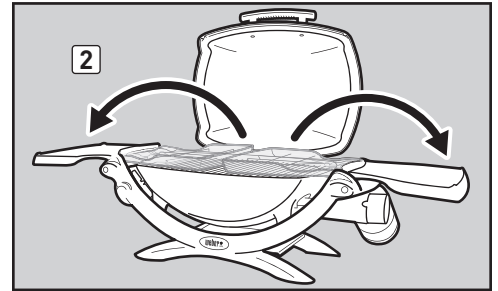
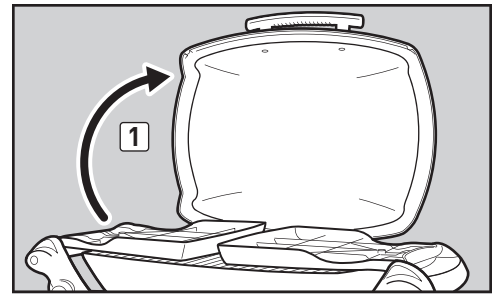
**⚠ MISE EN GARDE : Ne vous penchez pas au-dessus du grill ouvert pendant l'allumage.**

**⚠ MISE EN GARDE : Si le brûleur ne s'allume pas sous cinq secondes, arrêtez, positionnez le bouton de commande du brûleur sur arrêt puis patientez cinq minutes afin de laisser le gaz se dissiper avant d'essayer à nouveau ou de l'allumer à l'aide d'une allumette.**

### POUR ETEINDRE LE BRULEUR

Enfoncez le bouton de commande du brûleur puis tournez-le dans le sens des aiguilles d'une montre vers la position d'arrêt (O).

**⚠ ATTENTION : Ne repliez pas les tablettes latérales avant que le grill n'ait refroidi (Q® 1200, Q® 2000, Q® 2200).**



Certaines piles sont protégées par un emballage plastique. Ce plastique doit être retiré avant de tenter d'allumer votre grill. Ne confondez pas ce plastique avec l'étiquette de la pile.

# ALLUMAGE DU BRULEUR & UTILISATION

## ALLUMAGE DU BRULEUR – Allumage avec une allumette

A) Ouvrez le couvercle du grill (1).

### **⚠ DANGER**

**Le fait de ne pas ouvrir le couvercle avant d'allumer le brûleur du grill, ou de ne pas patienter cinq minutes pour laisser le gaz se dissiper si le grill ne s'allumait pas, risque d'entraîner un embrasement explosif susceptible d'entraîner des blessures graves voire un décès.**

B) Dépliez les tablettes latérales (2) (Q® 1200, Q® 2000, Q® 2200).

C) Assurez-vous que le bouton de commande du brûleur est positionné sur arrêt (O) (3). Vérifiez en enfonçant le bouton de commande du brûleur et en le tournant dans le sens des aiguilles d'une montre jusqu'à ce qu'il s'arrête.

D) Confirmez que la bouteille de gaz est correctement mise en place. Voir "INSTALLATION DE LA BOUTEILLE DE PL."

E) Frottez une allumette puis placez la flamme sous l'orifice d'allumage à l'aide d'une allumette (4). Tout en tenant l'allumette enflammée, enfoncez le bouton de commande du brûleur puis tournez-le dans le sens inverse des aiguilles d'une montre vers la position démarrer/élevé (4) (5).

F) Vérifiez que le brûleur est allumé en regardant à travers les grilles de cuisson (6). Vous devriez voir une flamme.

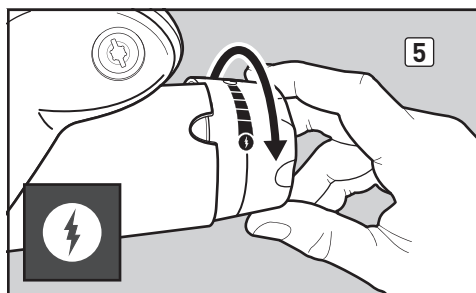
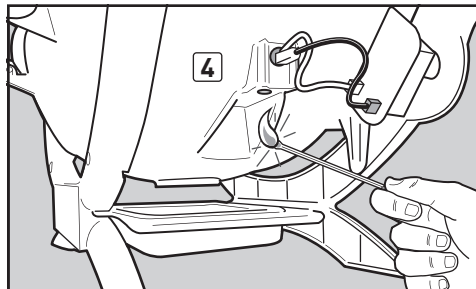
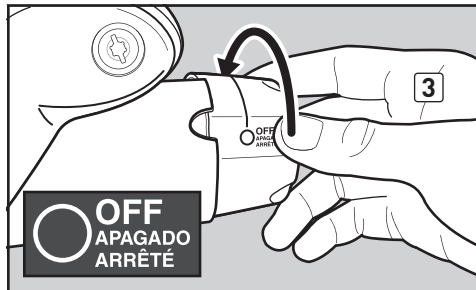
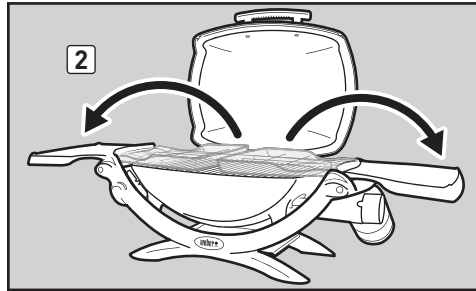
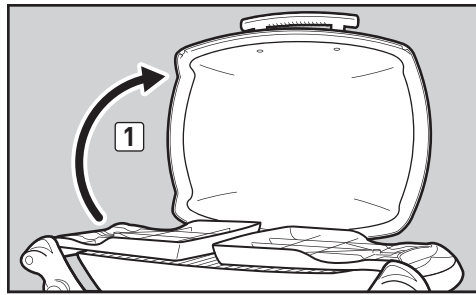
**⚠ MISE EN GARDE : Ne vous penchez pas au-dessus du grill ouvert pendant l'allumage. Maintenez votre visage et votre corps à au moins 12 po (30 cm) de distance par rapport à l'orifice d'allumage avec allumette lorsque vous allumez le grill.**

**⚠ MISE EN GARDE : Si le brûleur ne s'allume pas en cinq secondes, arrêtez, tournez le bouton de commande du brûleur vers arrêter puis patientez cinq minutes pour laisser le gaz se dissiper avant d'essayer à nouveau.**

## POUR ETEINDRE LE BRULEUR

Enfoncez le bouton de commande du brûleur et tournez-le dans le sens des aiguilles d'une montre vers la position d'arrêt (O).

**⚠ ATTENTION : Ne repliez pas les tablettes latérales avant que le grill soit froid (Q® 1200, Q® 2000, Q® 2200).**



# DEPANNAGE

PROBLEMES	SOLUTIONS
<p>Le brûleur ne s'allume pas lorsque vous enfoncez le bouton de l'allumeur.</p>	<p>Assurez-vous qu'il y a du gaz qui circule en direction du brûleur avant d'essayer d'allumer votre brûleur à l'aide d'une allumette. Voir "ALLUMAGE DU BRÛLEUR—Allumage à l'aide d'une allumette." Si l'allumage à l'aide d'une allumette réussit, cela signifie que le problème se situe au niveau du dispositif d'allumage. Voir "MAINTENANCE DU DISPOSITIF D'ALLUMAGE A BOUTON-POUSSOIR (Q® 1000 &amp; Q® 2000)" ou "MAINTENANCE DU DISPOSITIF D'ALLUMAGE ELECTRONIQUE (Q® 1200 &amp; Q® 2200)."</p> <p>Assurez-vous que les câbles sont correctement insérés à l'intérieur des terminaux sur l'assemblage de l'électrode de l'allumeur. Vérifiez que les câbles sont connectés aux terminaux sur l'allumeur à bouton-poussoir (Q® 1000 &amp; Q® 2000) ou sur le module de l'allumeur électronique (Q® 1200 &amp; Q® 2200). Voir "MAINTENANCE DU DISPOSITIF D'ALLUMAGE A BOUTON-POUSSOIR (Q® 1000 &amp; Q® 2000)" ou "MAINTENANCE DU DISPOSITIF D'ALLUMAGE ELECTRONIQUE (Q® 1200 &amp; Q® 2200)."</p> <p>Si une pile neuve a été mise en place, confirmez que l'emballage plastique de protection de la pile a été retiré. Vérifiez que la pile est en bon état et qu'elle a été installée correctement. Voir "MAINTENANCE DU DISPOSITIF D'ALLUMAGE ELECTRONIQUE (Q® 1200 &amp; Q® 2200)."</p>
<p>Le brûleur ne s'allume pas, ou la flamme est faible lorsque le bouton de commande du brûleur est positionné sur élevé (↑).</p>	<p>La bouteille de PL pourrait être à un niveau faible ou vide. Remplacez la bouteille de PL. Voir "RETIRER LA BOUTEILLE DE PL."</p>
<p>La forme de la flamme du brûleur est irrégulière. La flamme est faible lorsque le bouton de commande du brûleur est positionné sur élevé (↑). Les flammes ne courent pas sur toute la longueur du tube du brûleur.</p>	<p>Nettoyez les ports du brûleur qui sont situés sur toute la longueur du tube du brûleur. Voir "MAINTENANCE ANNUELLE".</p>
<p>Le brûleur brûle avec une flamme jaune ou orange, en association avec une odeur de gaz.</p>	<p>Inspectez les grilles anti-araignées/insectes afin de détecter des obstructions éventuelles. (Blocage des orifices.) Nettoyez la grille anti-araignées/insectes. Voir "MAINTENANCE ANNUELLE".</p>
<p>Des embrasements se produisent.</p>	<p>Le grill doit être préchauffé avec le brûleur réglé sur élevé pendant 10 à 15 minutes.</p>
<p><b>⚠ ATTENTION : Ne couvrez pas le boîtier de cuisson avec du papier aluminium.</b></p>	<p>Nettoyez les grilles de cuisson de façon approfondie pour éliminer la graisse. Voir "NETTOYAGE DE L'INTERIEUR DU GRILL."</p> <p>Le boîtier de cuisson est peut-être sale et il est possible qu'il ne laisse pas la graisse s'écouler vers le récupérateur amovible. Nettoyez le boîtier de cuisson. Voir "NETTOYAGE DE L'INTERIEUR DU GRILL".</p>
<p>L'intérieur du couvercle semble "s'écailler". (Ressemble à de la peinture qui s'écaille.)</p>	<p>L'intérieur du couvercle est en fonte d'aluminium. Il n'est pas peint. Il ne peut pas "s'écailler". Ce que vous voyez, c'est une accumulation de graisse carbonisée qui se détache en flocons. <b>CE N'EST PAS UN DEFAUT.</b> Nettoyez de façon approfondie. Voir "NETTOYAGE DE L'INTERIEUR DU GRILL".</p>

Si les problèmes ne peuvent pas être corrigés en utilisant ces méthodes, veuillez contacter le Représentant du Service clientèle le plus proche à l'aide des coordonnées à votre disposition sur notre site Internet. Connectez-vous sur [www.weber.com](http://www.weber.com)®.



## CONSERVER VOTRE GRILL WEBER® EN PARFAIT ÉTAT

### ⚠ DANGER

Le fait de ne pas corriger l'un des problèmes décrits sur cette page peut provoquer un incendie, ce qui est susceptible d'entraîner des blessures graves voire un décès ainsi que provoquer des dégâts matériels.

Afin que votre grill à gaz Weber® demeure aussi sûr et efficace qu'au premier jour, nous vous recommandons fortement d'inspecter et de nettoyer la ou les grille(s) anti-araignées/insectes ainsi que les tubes du brûleur au moins une fois par an. Vous trouverez ci-dessous des informations importantes sur ces deux zones du grill qui devraient faire l'objet d'un entretien annuel.

Si vous observez une forme de flamme incorrecte ou si vous voyez qu'un des ports du brûleur est obstrué, suivez les instructions intitulées "NETTOYAGE OU REMPLACEMENT DU TUBE DU BRÛLEUR" à la page suivante.

### FORME DE LA FLAMME DU BRÛLEUR

Le(s) tube(s) du brûleur à l'intérieur de votre grill à gaz Weber® est/ont été paramétré(s) en usine afin d'accepter un mélange correct de gaz et d'air. La forme correcte de flamme est présentée sur l'illustration et elle est décrite ci-dessous :

- Tube(s) du brûleur (1)
- Les extrémités vacillent occasionnellement en jaune (2)
- Bleu clair (3)
- Bleu foncé (4)

Vérifiez la forme de la flamme du brûleur. Si les flammes ne correspondent pas à la description ci-dessus, cela pourrait être une indication que la ou les grille(s) anti-araignées/insectes sont encrassées ou obstruées.

### GRILLE(S) ANTI-ARAIGNÉES/INSECTES WEBER®

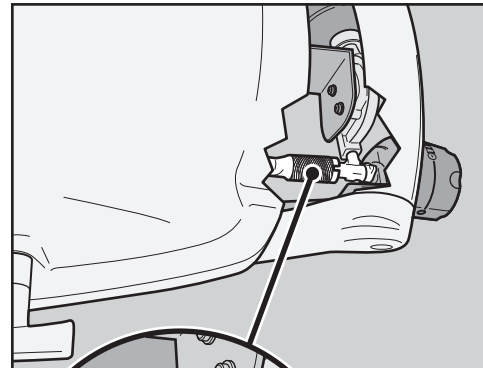
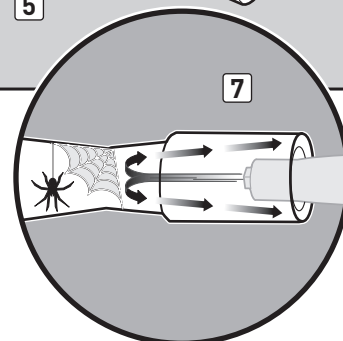
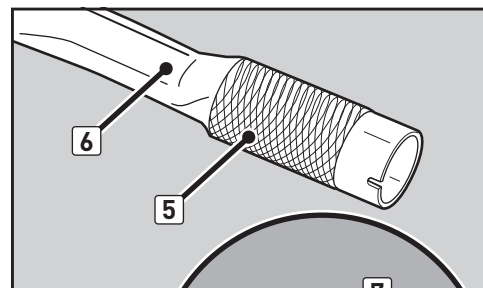
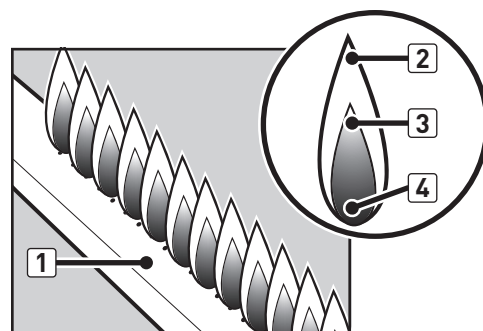
La ou les ouverture(s) permettant le passage de l'air nécessaire à la combustion au niveau du ou des tube(s) du brûleur (5) est/sont équipés d'une ou plusieurs grilles en acier inoxydable afin d'empêcher les araignées et les autres insectes de tisser des toiles et de construire des nids à l'intérieur des aérations (6) du/des tube(s) du brûleur. Ces nids peuvent faire obstacle à la circulation normale du gaz, et ils peuvent provoquer un reflux du gaz à travers la ou les ouverture(s) permettant le passage de l'air nécessaire à la combustion (7). Les symptômes de ce type d'obstruction incluent une odeur de gaz associée à des flammes du brûleur qui semblent jaunes et faibles. Cette obstruction risquerait d'entraîner un incendie (8) à l'intérieur et autour de la ou des valve(s) de gaz, et cela provoquerait de graves dégâts pour votre grill.

*REMARQUE : Si une grille anti-araignées/insectes est détériorée ou si elle ne peut pas être nettoyée, veuillez contacter le Représentant du Service clientèle le plus proche à l'aide des coordonnées à votre disposition sur notre site Internet. Connectez-vous sur [www.weber.com](http://www.weber.com).*

### PORTS DU TUBE DU BRÛLEUR

Au fil du temps, en raison de l'utilisation répétée du grill, les ports du tube du brûleur s'encrassent. Des ports obstrués et sales peuvent diminuer la circulation du gaz. Voici des méthodes qui permettent de déterminer si les ports du tube du brûleur sont encrassés ou obstrués.

- Le grill n'atteint pas la température souhaitée
- Le grill ne chauffe pas uniformément
- Un ou plusieurs brûleur(s) ne s'allume(nt) pas



## NETTOYAGE OU REMPLACEMENT DU TUBE DU BRÛLEUR

Confirmez que le grill est à l'arrêt et qu'il a refroidi

- A) Vérifiez si les boutons de commande du brûleur sont en position d'arrêt (O). Vérifiez en enfonçant le bouton de commande et en le tournant dans le sens des aiguilles d'une montre jusqu'à ce qu'il s'arrête.
- B) Débranchez la bouteille de PL.
- C) Retirez le couvercle.
- D) Retirez les grilles de cuisson.

### Retirez le tube du brûleur

Il vous faudra : Une clé de 3/8".

- A) Retirez la vis qui maintient le tube du brûleur contre le boîtier de cuisson (1).
- B) Faites glisser prudemment le tube du brûleur vers l'extérieur du boîtier de cuisson (2).

### Nettoyez le tube du brûleur

Il vous faudra : Une lampe torche, un fil de fer (un cintre déplié), une brosse métallique adaptée en inox, et une brosse souple (brosse à dents).

- A) Regardez à l'intérieur du tube du brûleur avec une lampe torche (3).
- B) Nettoyez tout débris ou toute obstruction de l'intérieur du tube du brûleur à l'aide du fil de fer (4).
- C) Vérifiez la grille anti-araignées/insectes à l'extrémité du tube du brûleur et nettoyez-la à l'aide de la brosse souple (5).

**⚠ ATTENTION : Ne nettoyez pas la grille anti-araignées/insectes à l'aide d'ustensiles rigides ou aiguisés. Ne démontez pas la grille anti-araignées/insectes ou n'élargissez pas les ouvertures de la grille.**

- D) Utilisez la brosse métallique pour nettoyer l'extérieur du tube du brûleur. Cette procédure permet de s'assurer que la totalité des ports du brûleur (ouvertures) sur toute la longueur du tube est complètement ouverte (6).

**⚠ ATTENTION : N'élargissez pas les ports du brûleur pendant le nettoyage.**

### Réinstallez le tube du brûleur

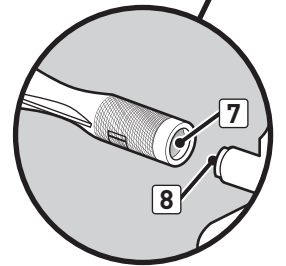
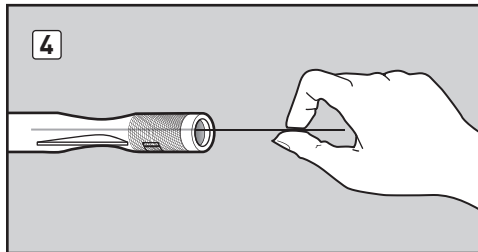
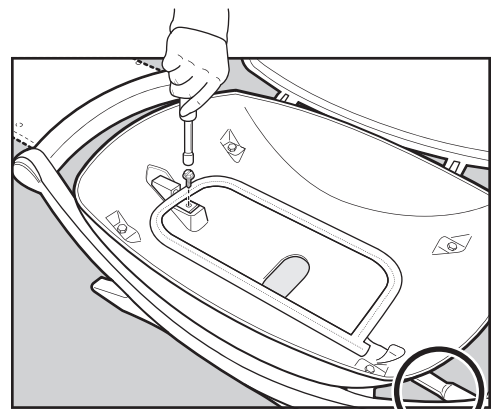
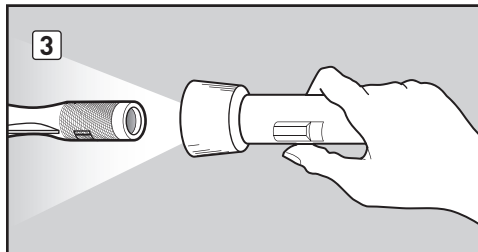
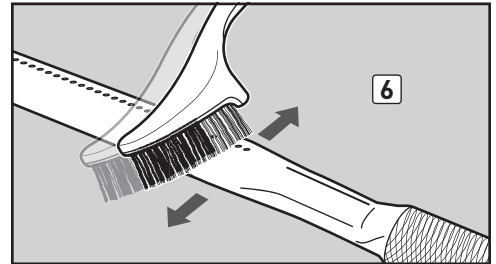
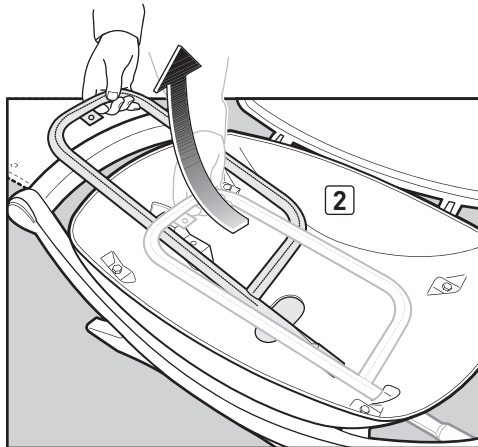
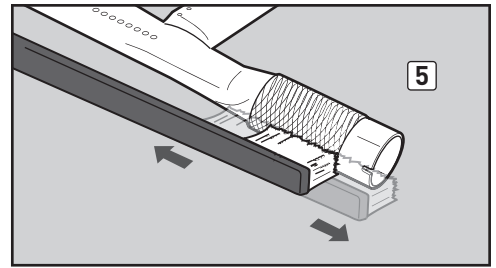
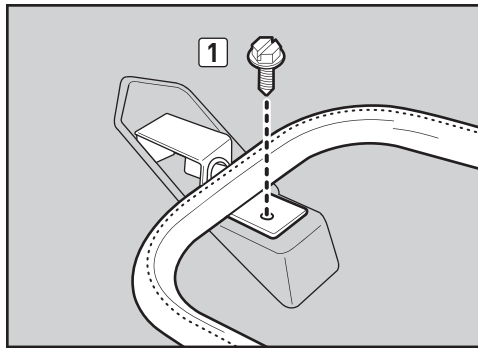
Il vous faudra : Une clé de 3/8".

- A) Faites glisser avec prudence le tube du brûleur vers l'intérieur du trou sur le côté droit du boîtier de cuisson, en alignant l'orifice du tube du brûleur avec l'orifice de la valve.
- B) Réinstallez la vis qui maintient le tube du brûleur contre le boîtier de cuisson.

**⚠ ATTENTION : L'ouverture du tube du brûleur (7) doit être positionnée correctement au-dessus de l'orifice de la valve (8).**

**⚠ MISE EN GARDE : Vous devriez détecter les fuites de gaz à chaque fois que vous débranchez puis rebranchez un raccord de gaz. Voir "DETECTION DES FUITES DE GAZ."**

- C) Réinstallez le couvercle.
- D) Remettez en place les grilles de cuisson.



## MAGNIFIQUE—DEDANS COMME DEHORS

Les propriétaires de grills Weber® sont très fiers de leurs grills. Entretenez votre fierté et votre joie. Maintenez votre grill propre et magnifique — à l'intérieur comme à l'extérieur - en suivant ces étapes de maintenance de routine.

### NETTOYAGE DE L'EXTERIEUR DU GRILL

Pour maintenir un aspect extérieur optimal de votre grill, suivez les conseils ci-après pour un nettoyage en toute sécurité.

**⚠ MISE EN GARDE : Eteignez votre grill à gaz Weber® puis laissez-le refroidir avant de le nettoyer.**

#### Surfaces peintes, émaillées et en plastique

Utilisez une solution d'eau savonneuse tiède pour nettoyer les surfaces extérieures ; ensuite, rincez à l'eau.

**IMPORTANT : N'utilisez pas de détergents contenant de l'acide, des alcools minéraux ou du xylène. N'utilisez pas de nettoyant pour four, de nettoyants abrasifs (détergents pour cuisine), de nettoyants qui contiennent des produits à base d'agrumes ou de tampons à récurer abrasifs sur les surfaces du grill ou du chariot.**

Les tablettes rabattables (Q® 1200, Q® 2000, Q® 2200) ne doivent pas être utilisées comme des planches à découper.

### NETTOYAGE DE L'INTERIEUR DU GRILL

Pour maintenir votre grill en état de fonctionnement sûr et efficace, il est important de retirer la totalité des débris et des accumulations de matières grasses susceptibles de se trouver à l'intérieur du grill. Utilisez les recommandations suivantes pour un nettoyage en toute sécurité.

#### Intérieur du couvercle

La graisse accumulée, se détache en flocons et cela ressemble à de la peinture qui s'écaille. Essuyez l'intérieur du couvercle à l'aide d'une serviette en papier afin d'empêcher toute accumulation de matière grasse. Lavez l'intérieur du couvercle à l'aide d'une solution d'eau savonneuse puis rincez à l'eau claire.

#### Composants du boîtier de cuisson & tube du brûleur

Il vous faudra : Une brosse souple en acier inoxydable, et un grattoir en plastique rigide.

A) Grattez et brossez les grilles de cuisson à l'aide du grattoir et de la brosse. Retirez les grilles de cuisson et mettez-les de côté.

**⚠ ATTENTION : Les brosses du grill devraient être vérifiées régulièrement afin de détecter les brins qui se détachent et l'usure excessive. Remplacez la brosse si des brins se détachent ou si vous en trouvez sur les grilles de cuisson. Weber recommande d'acheter une brosse pour grill en acier inoxydable neuve au début de chaque printemps.**

**⚠ ATTENTION : Ne nettoyez pas les grilles de cuisson dans un four auto-nettoyant.**

B) Brossez tous les débris afin de les faire sortir du tube du brûleur. N'élargissez pas les ports du brûleur (ouvertures) le long du tube du brûleur (1).

C) Une fois le nettoyage terminé, remettez les grilles de cuisson en place.

#### Boîtier de cuisson

Lavez l'intérieur du boîtier de cuisson à l'aide d'une solution d'eau savonneuse puis rincez à l'eau claire.

#### Bac de récupération des graisses amovible et

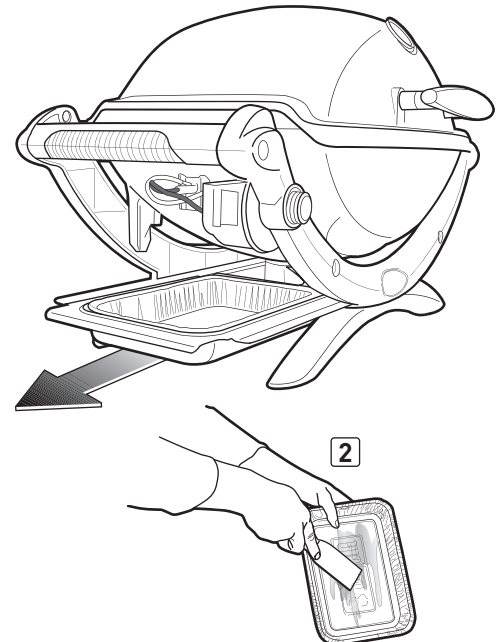
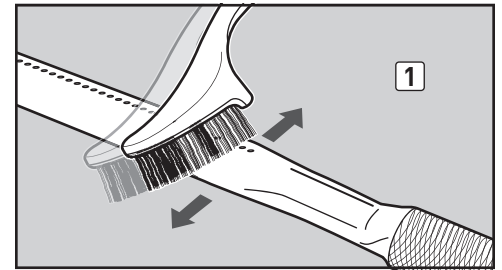
#### égouttoir jetable

Votre grill a été pourvu à la conception d'un dispositif de récupération des matières grasses, qui canalise la graisse afin de l'éloigner des aliments, vers un bac de récupération amovible. Pour que cela soit plus pratique encore, vous pouvez également recouvrir le bac de récupération jetable d'un égouttoir jetable Weber®, ce qui contribuera à maintenir plus longtemps la propreté du bac de récupération des graisses amovible.

Le nettoyage du bac de récupération des graisses amovible est tout aussi important que le nettoyage du boîtier de cuisson. Vérifiez le bac de récupération des graisses amovible afin de détecter toute accumulation de matière grasse à chaque fois que vous utilisez votre grill. Retirez tout excès de matière grasse à l'aide d'un grattoir en plastique (2). Lavez l'égouttoir jetable à l'aide d'une solution d'eau savonneuse puis rincez à l'eau claire.

**⚠ MISE EN GARDE : Vérifiez l'égouttoir jetable ou le bac de récupération des graisses amovible afin de détecter toute accumulation de matière grasse avant chaque utilisation. Retirez tout excès de matière grasse afin d'éviter un embrasement de la matière grasse. Un feu de matière grasse risquerait de provoquer des blessures graves ainsi que des dégâts matériels.**

**⚠ ATTENTION : Ne recouvrez pas le boîtier de cuisson, l'égouttoir jetable ni le bac de récupération des graisses amovible avec du papier aluminium.**



## UTILISATION DU DISPOSITIF D'ALLUMAGE

L'allumeur envoie une étincelle vers l'assemblage de l'électrode de l'allumeur. Que vous soyez en train d'effectuer une maintenance de routine ou un contrôle dans le cadre d'un dépannage du dispositif d'allumage, lisez ce qui suit afin de maintenir votre dispositif d'allumage en bon état de fonctionnement.

**⚠ MISE EN GARDE : La totalité des commandes du gaz et des valves d'alimentation devrait être en position d'arrêt (OFF).**

Si l'allumeur n'allume pas votre Q® grill, vous devrez localiser où le problème se produit : au niveau de la circulation du gaz ou au niveau du dispositif d'allumage. Commencez par essayer d'allumer votre brûleur à l'aide d'une allumette. Voir "ALLUMAGE DU BRÛLEUR—Allumage à l'aide d'une allumette." Si l'allumage à l'aide d'une allumette réussit, c'est que le problème provient du dispositif d'allumage.

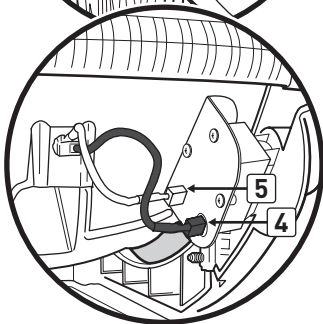
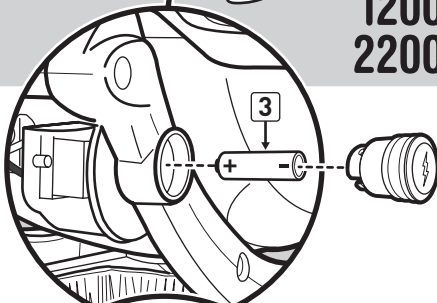
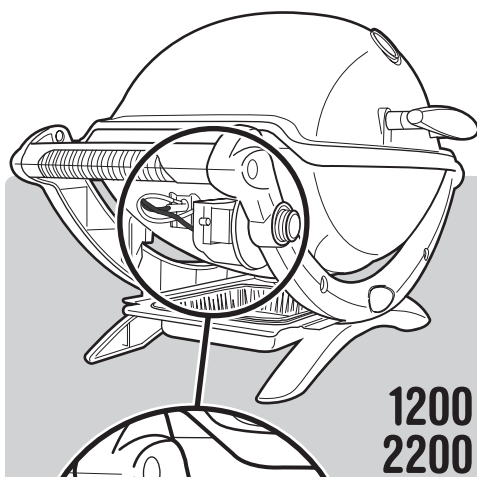
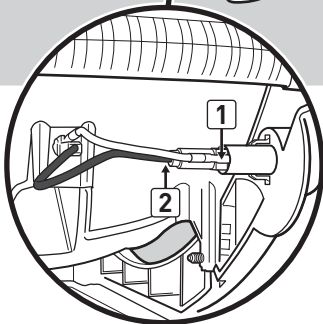
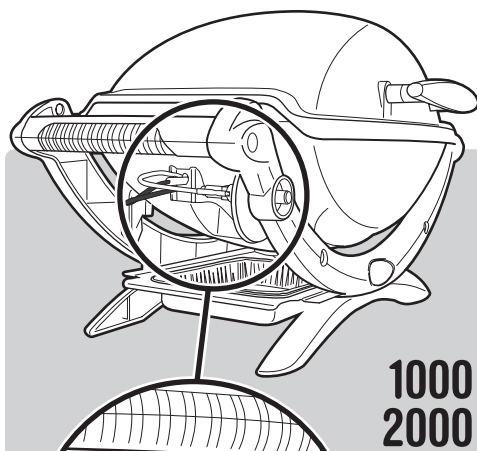
## MAINTENANCE DU DISPOSITIF D'ALLUMAGE A BOUTON-POUSOIR (Q® 1000 & Q® 2000)

- Vérifiez si les câbles d'allumage blanc (1) et noir (2) sont correctement fixés.
- Vérifiez si le bouton de l'allumeur s'enfonce, s'il émet un déclic et s'il revient en position relevée.

## MAINTENANCE DU DISPOSITIF D'ALLUMAGE ELECTRONIQUE (Q® 1200 & Q® 2200)

- Vérifiez que la pile AAA (alcaline uniquement) est en bon état et qu'elle est correctement installée (3). Certaines piles sont couvertes par un emballage plastique de protection. Ce plastique doit être retiré avant d'installer la pile. Ne confondez pas ce plastique avec l'étiquette de la pile.
- Assurez-vous que les deux câbles de l'allumeur sont reliés correctement au module de l'allumeur. Le câble noir sur le terminal noir (4), le câble blanc sur le terminal blanc (5).
- Assurez-vous que le bouton de l'allumeur électronique fonctionne en écoutant si un déclic est émis et en regardant si des étincelles se forment au niveau du brûleur.

Si le dispositif d'allumage électronique n'allume toujours pas le brûleur, veuillez contacter le Représentant du Service clientèle le plus proche à l'aide des coordonnées à votre disposition sur notre site Internet. Connectez-vous sur [www.weber.com](http://www.weber.com)®.



Pour obtenir des égouttoirs jetables de rechange et des grilles de cuisson, veuillez contacter le revendeur le plus proche ou connectez-vous sur [www.weber.com](http://www.weber.com)®. Si vous avez besoin de davantage d'assistance, veuillez contacter notre Représentant du Service clientèle.







**⚠ ATTENTION: This product has been safety tested and is only certified for use in a specific country. Refer to country designation located on outer carton.**

These parts may be gas carrying or gas burning components. Please contact Weber-Stephen Products LLC, Customer Service Department for genuine Weber-Stephen Products LLC replacement part(s) information.

**⚠ WARNING: Do not attempt to make any repair to gas carrying, gas burning, igniter components or structural components without contacting Weber-Stephen Products LLC, Customer Service Department. Your actions, if you fail to follow this Product Warning, may cause a fire, an explosion, or structural failure resulting in serious personal injury or death as well as damage to property.**

**⚠ ATENCIÓN: A este producto se le han realizado pruebas de seguridad y ha sido certificado para usarse en un país específico. Refiérase al país indicado en la parte externa del cartón de empaque.**

Estas partes pueden ser componentes que transporten gas o lo quemen. Por favor póngase en contacto con el Departamento de Atención al Cliente de Weber-Stephen Products LLC para obtener información sobre las partes de repuesto Weber-Stephen Products LLC genuinas.

**⚠ ADVERTENCIA: No trate de realizar reparación alguna a los componentes que transporten o quemen gas sin antes ponerse en contacto con el Departamento de Atención al Cliente de Weber-Stephen Products LLC. Si no llegase a acatar esta advertencia, sus acciones podrían causar un fuego o una explosión que resulte en lesiones personales serias o la muerte o daños a la propiedad.**

**⚠ ATTENTION : Ce produit a fait l'objet de tests de sécurité et est certifié pour une utilisation dans un pays particulier uniquement. Vérifiez la désignation de pays située sur le carton d'emballage.**

Ces pièces peuvent contenir du gaz ou être des éléments dont la combustion produit du gaz. Veuillez consulter le Service clientèle de Weber-Stephen Products LLC pour des renseignements sur les pièces de rechange originales de Weber-Stephen Products LLC.

**⚠ MISE EN GARDE : Ne tentez pas d'effectuer des réparations sur des éléments contenant du gaz ou sur des éléments dont la combustion produit du gaz sans contacter le service clientèle de Weber-Stephen Products LLC. Si vous ne suivez pas la présente Mise en garde relative au produit, vos actions risquent de provoquer un incendie ou une explosion entraînant des blessures physiques graves voire un décès ainsi que des dégâts matériels.**

The Weber® Q® grill includes designs and features originally created by Robert DeMars of Original Ideas, Inc.

La barbacoa The Weber® Q® incluye diseños y elementos originalmente creados por Robert DeMars de Original Ideas, Inc.

Le grill Weber® Q® comprend des designs et des caractéristiques créés à l'origine par Robert DeMars d'Original Ideas, Inc.



WEBER-STEPHEN PRODUCTS LLC

[www.weber.com](http://www.weber.com)®