

SPiRiT[®]



GAS GRILL

Assembly Guide

ESNA BARBACOA DE GAS Guía de ensamblaje

FC GRILL À GAZ Guide pour l'assemblage

220 320

#57203

TOOLS NEEDED:

HERRAMIENTAS REQUERIDAS:

OUTILS NECESSAIRES:



220



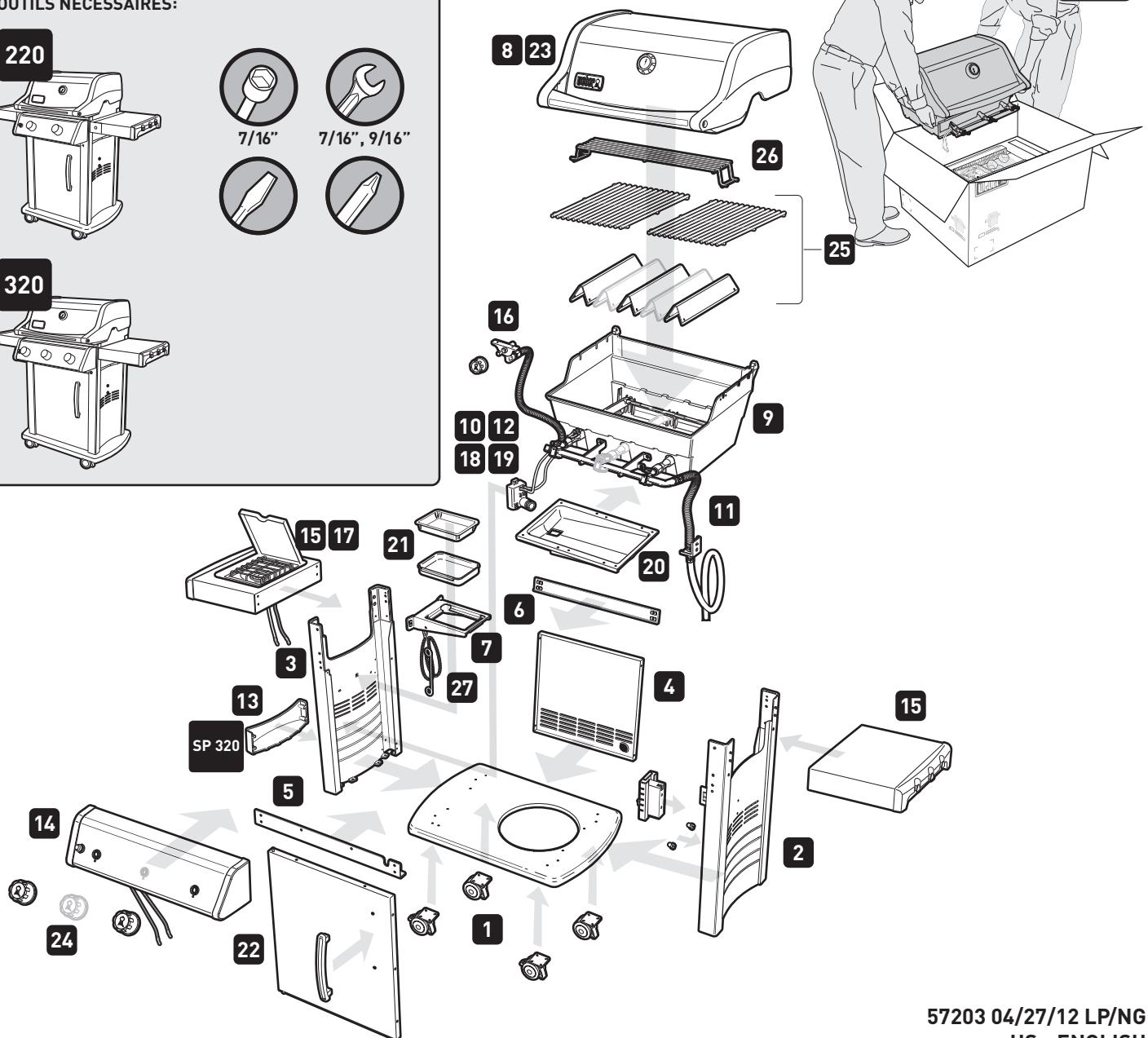
7/16"



7/16", 9/16"



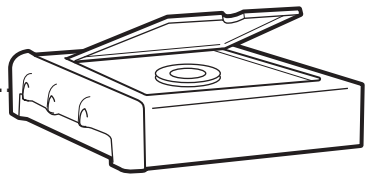
320



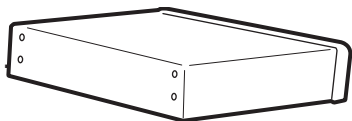
220

320

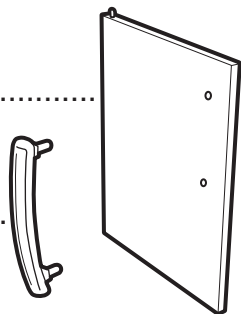
1 1



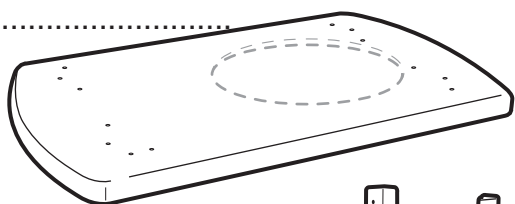
1 1



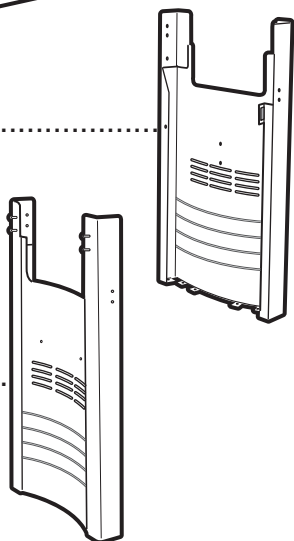
1 1



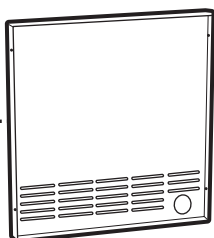
1 1



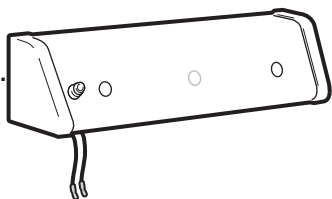
1 1



1 1



1 1

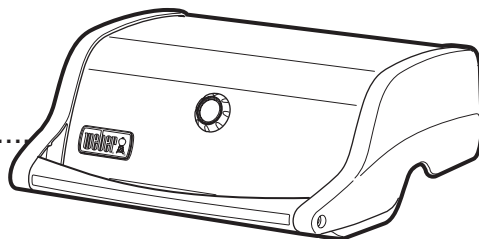


1 1

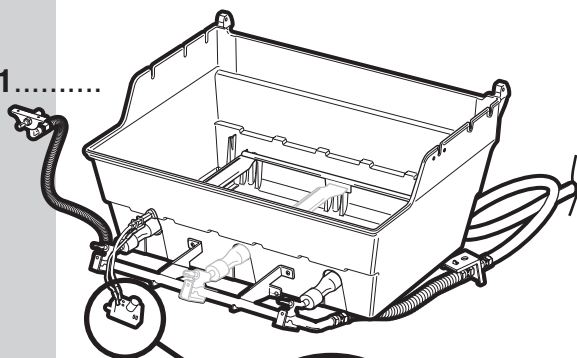
220

320

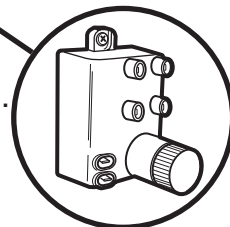
1 1



1 1



1 1



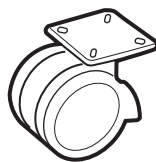
1 1



1 1



2 2

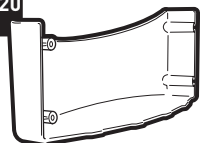


2 2



0 1

SP 320



2 3



1 1



1 1



220

320

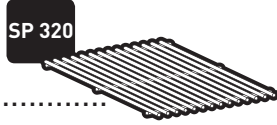
1 1



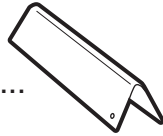
1 1



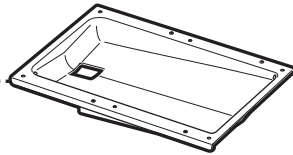
0 1



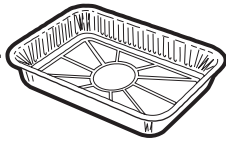
3 5



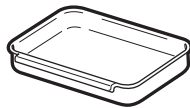
1 1



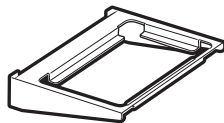
1 1



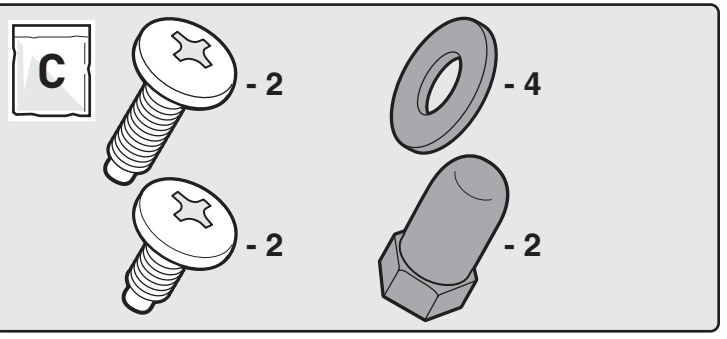
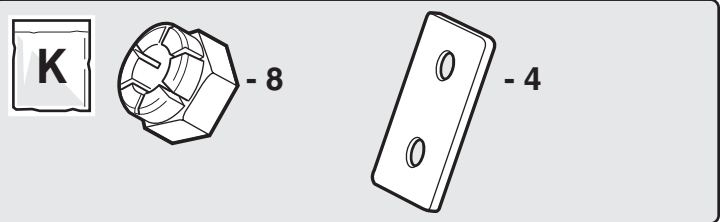
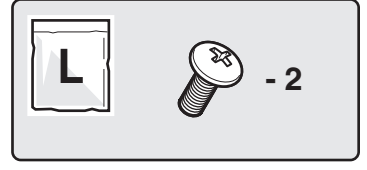
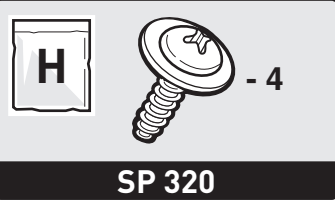
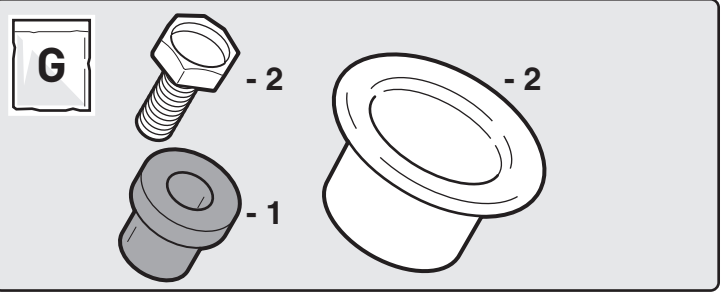
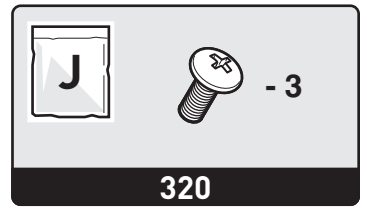
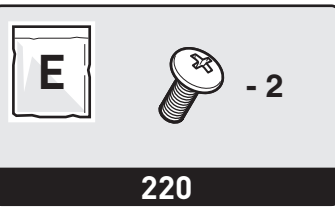
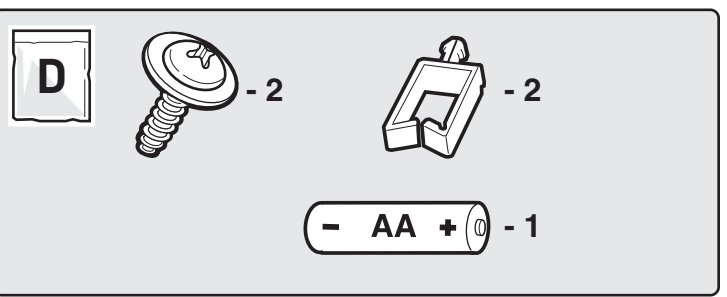
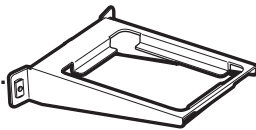
1 1



1 0



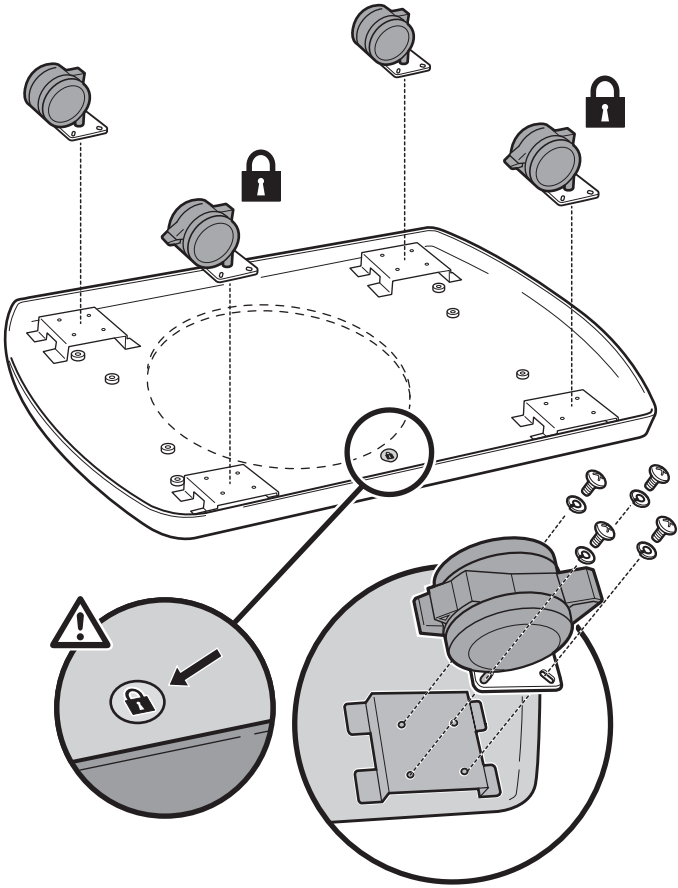
0 1



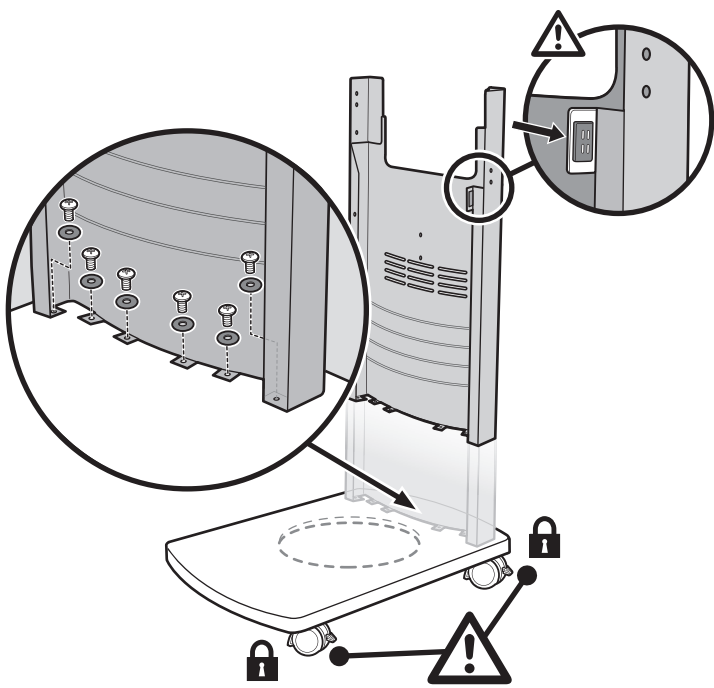
1 1



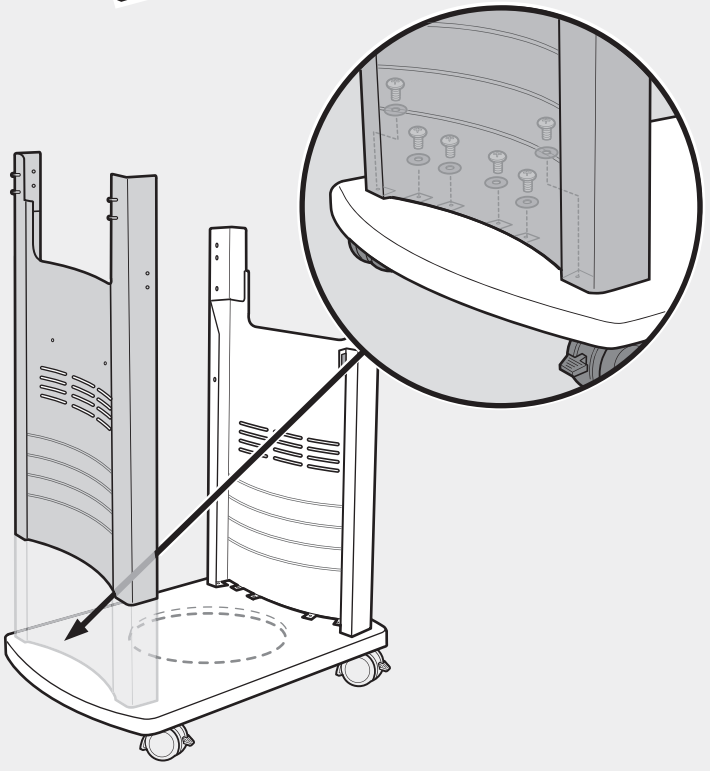
- 1** **A** -16 -16 -2 -2



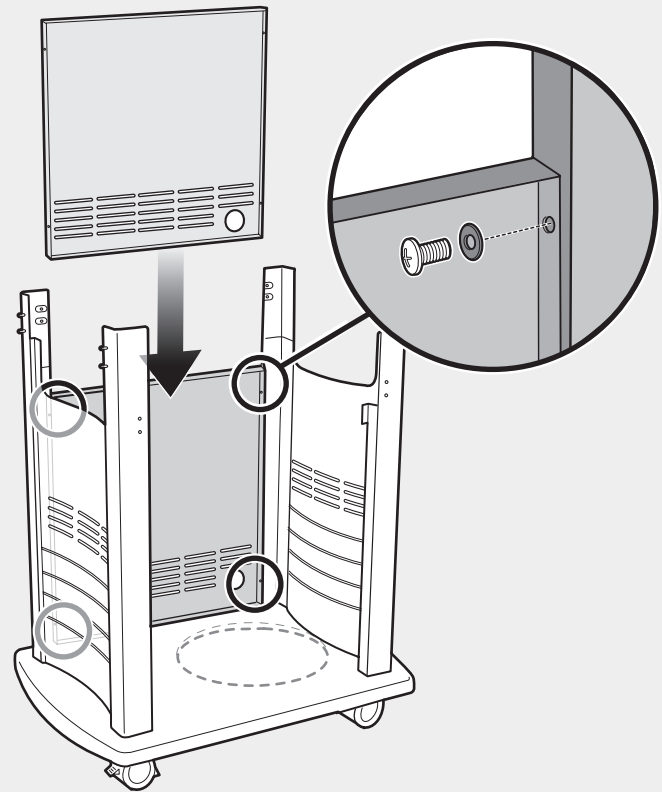
- 2** **B** -6 -6



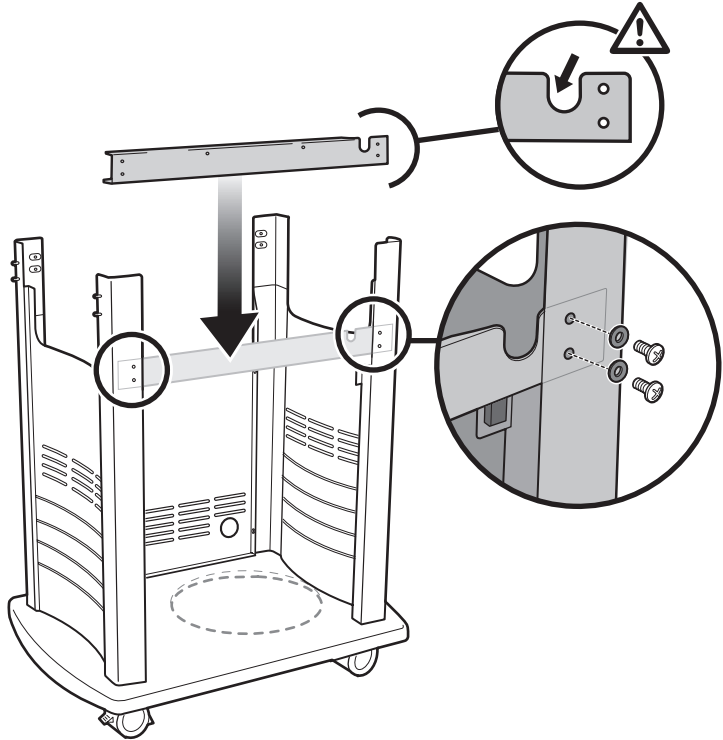
- 3** **B** -6 -6



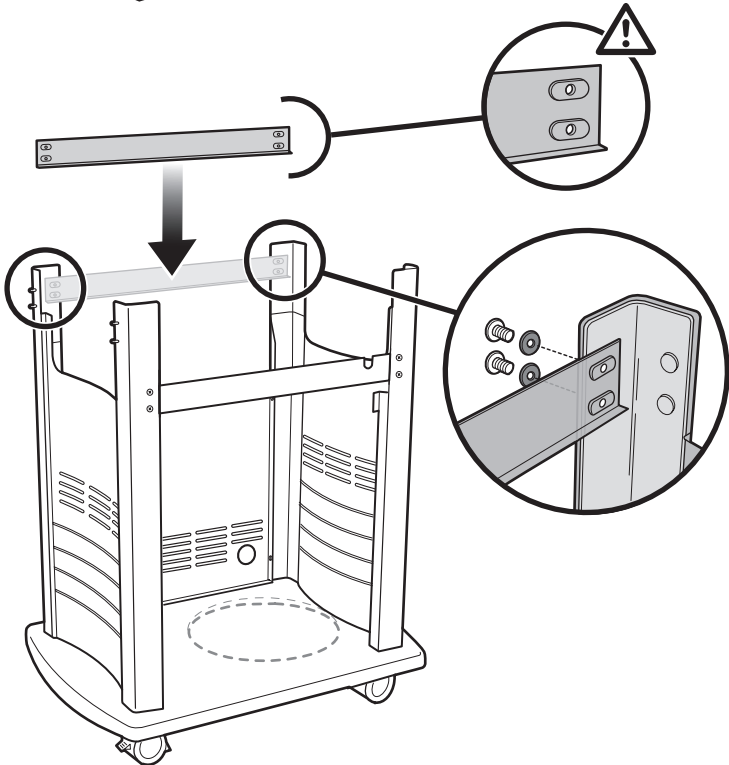
- 4** **B** -4 -4



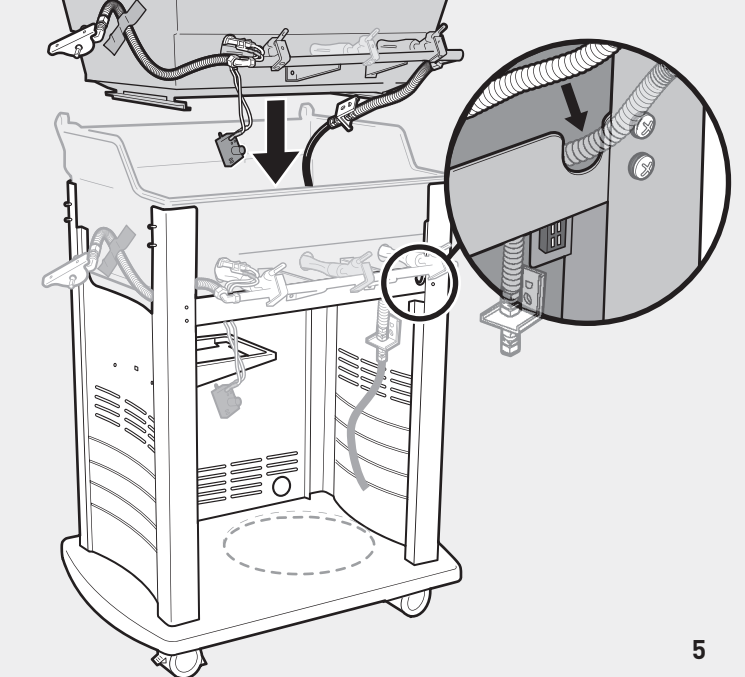
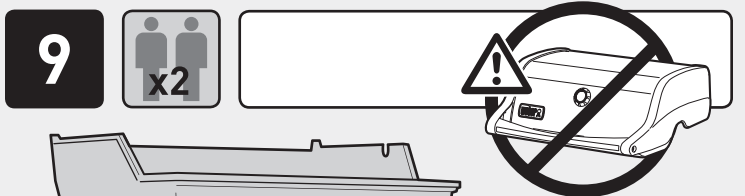
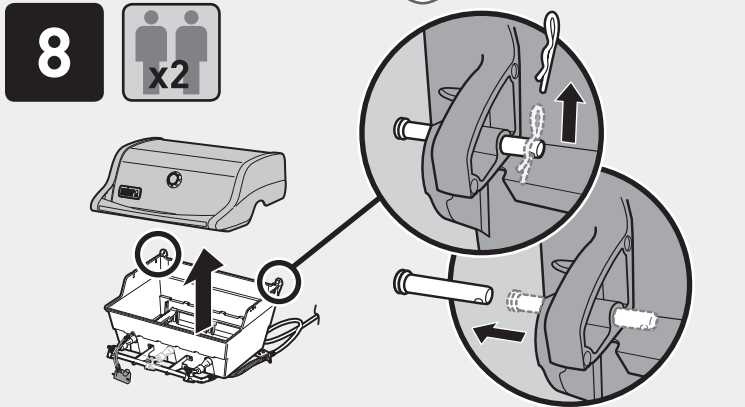
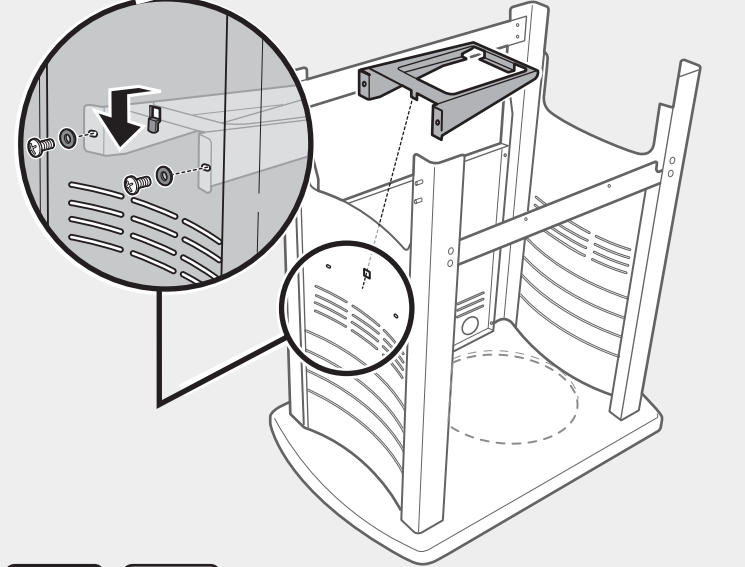
5 **B** - 4 - 4



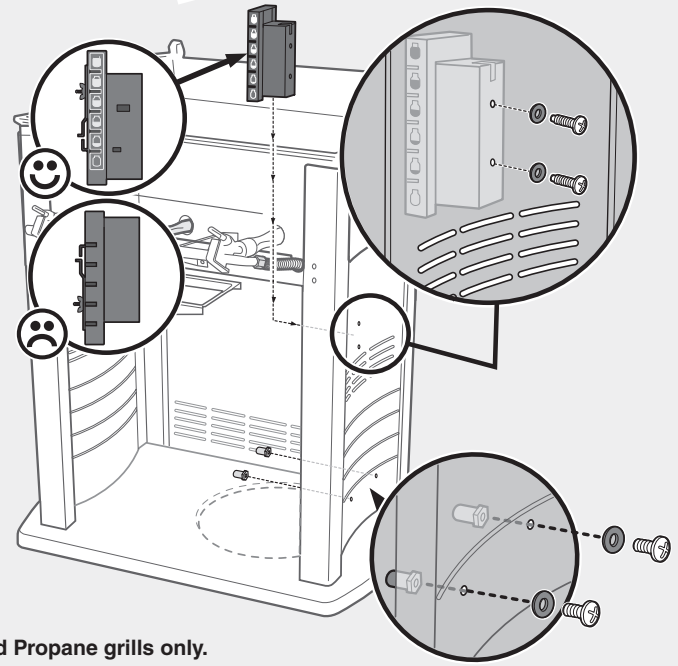
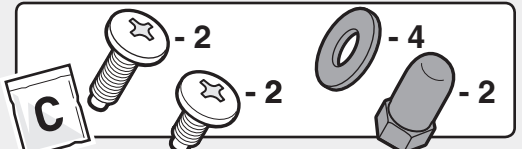
6 **B** - 4 - 4



7 **B** - 2 - 2



10

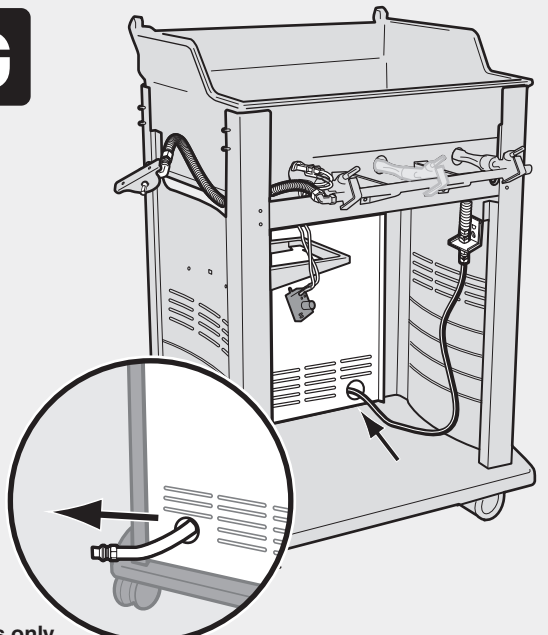
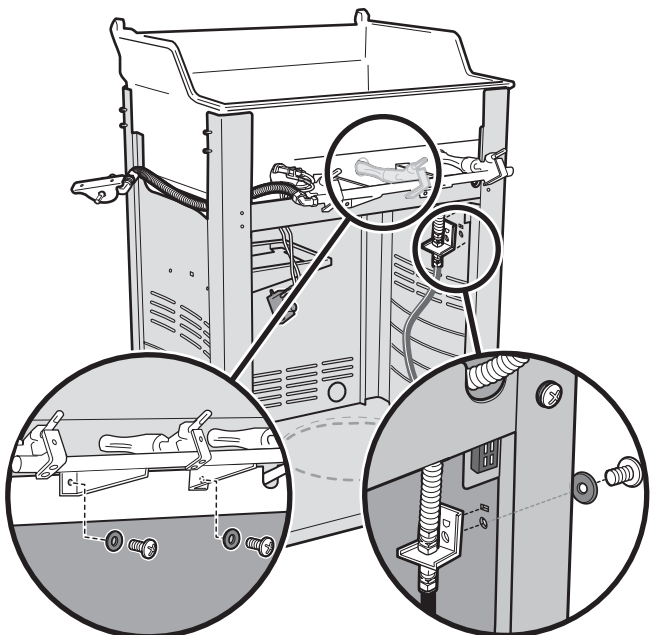
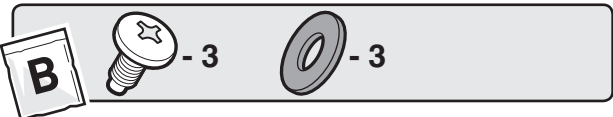


Liquid Propane grills only.
See Owner's Guide for complete gas instructions.

Solamente barbacoas de propano licuado.
Consulte las instrucciones completas respecto al gas en la
Guía del Propietario.

Grills à gaz propane liquide uniquement.
Voir le mode d'emploi pour des instructions détaillées
concernant le gaz.

11



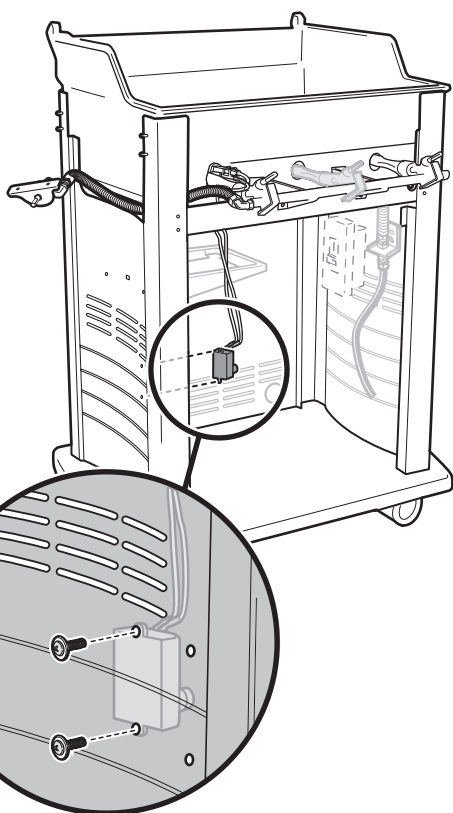
Natural Gas grills only.
See Owner's Guide for complete gas instructions.

Solamente barbacoas de gas natural.
Consulte las instrucciones completas respecto al gas en la
Guía del Propietario.

Grills à gaz naturel uniquement.
Voir le Mode d'emploi pour des instructions complètes
concernant le gaz naturel.

12

D

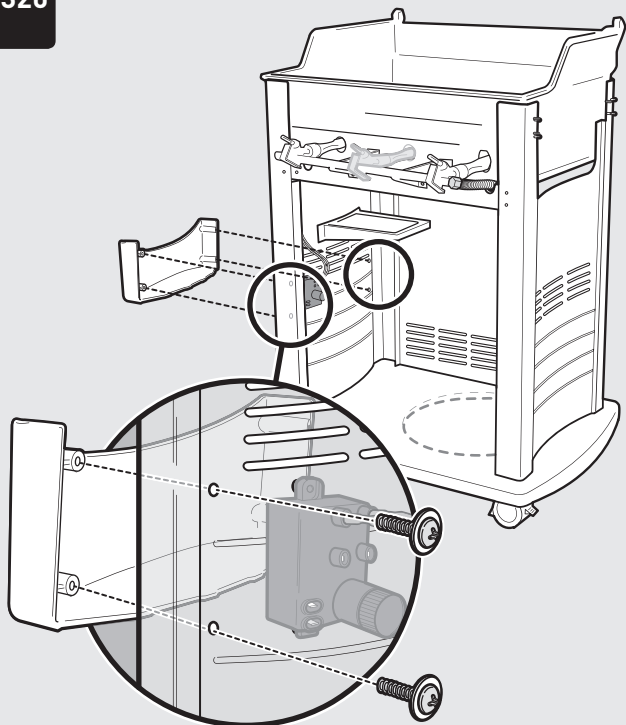


13

H



SP 320

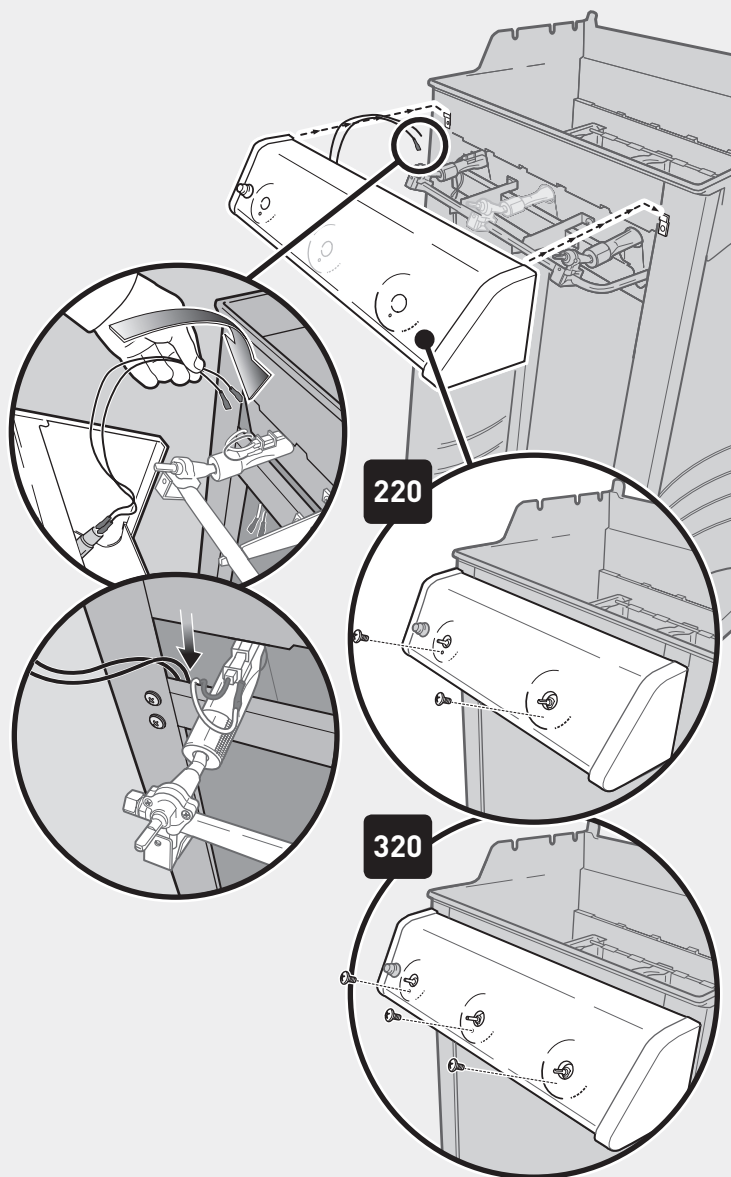


14

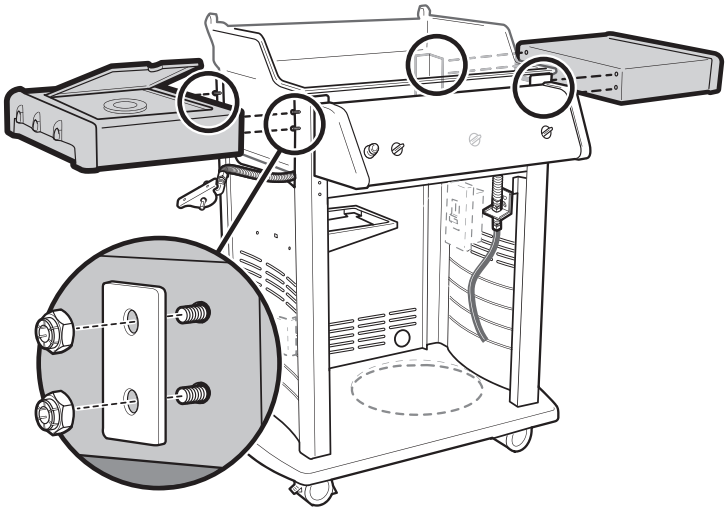
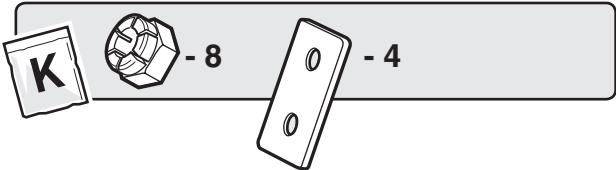
E



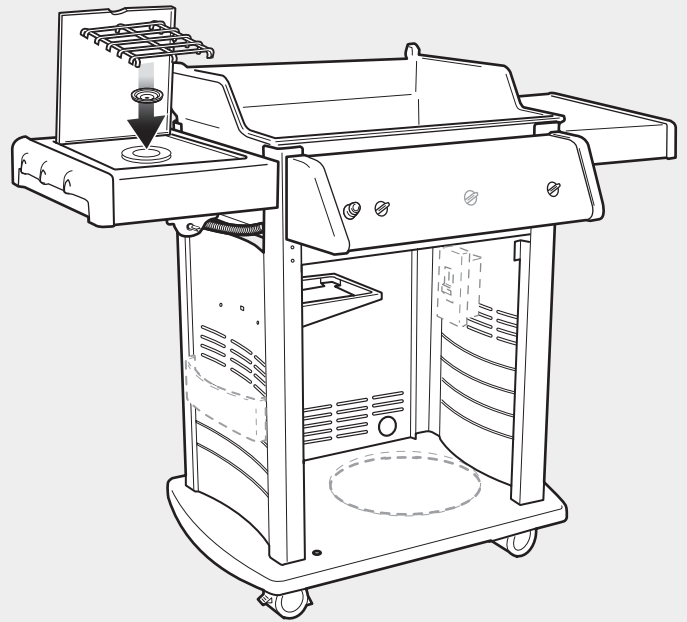
J



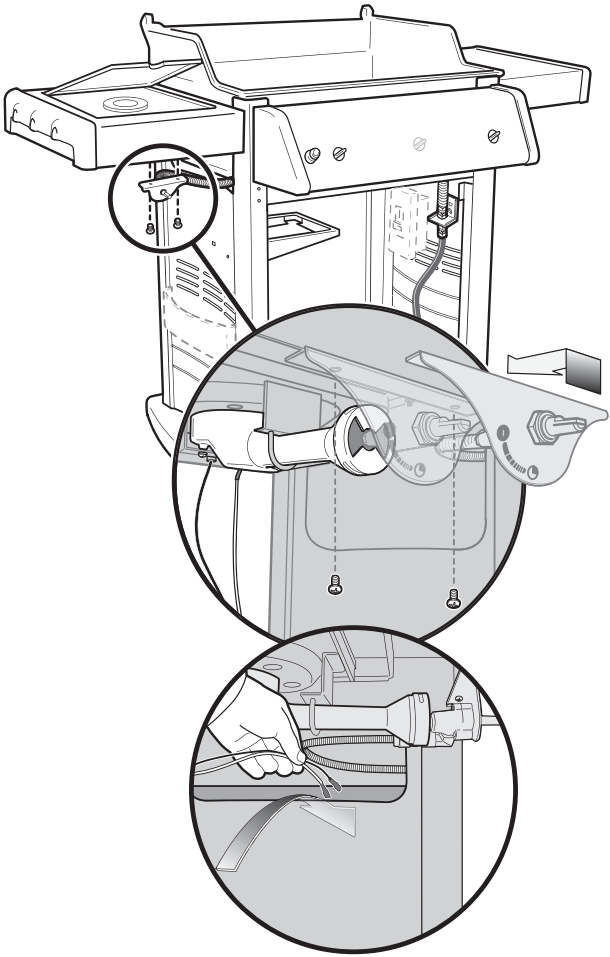
15

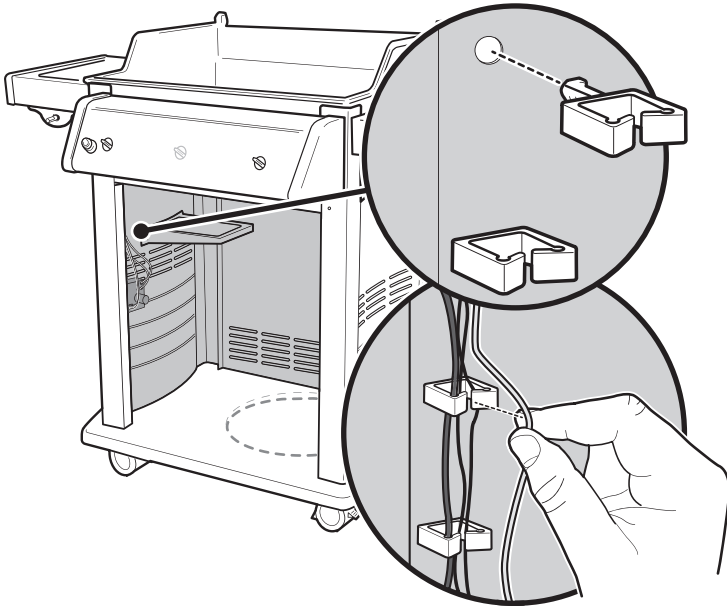
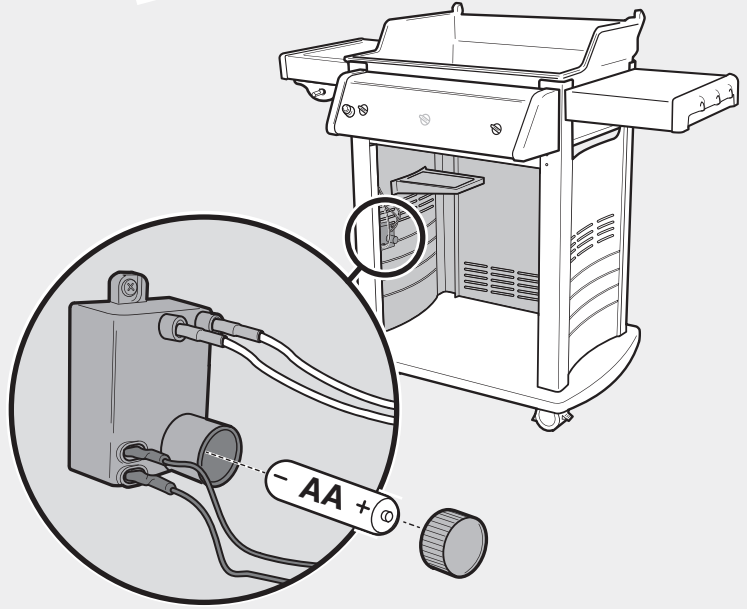
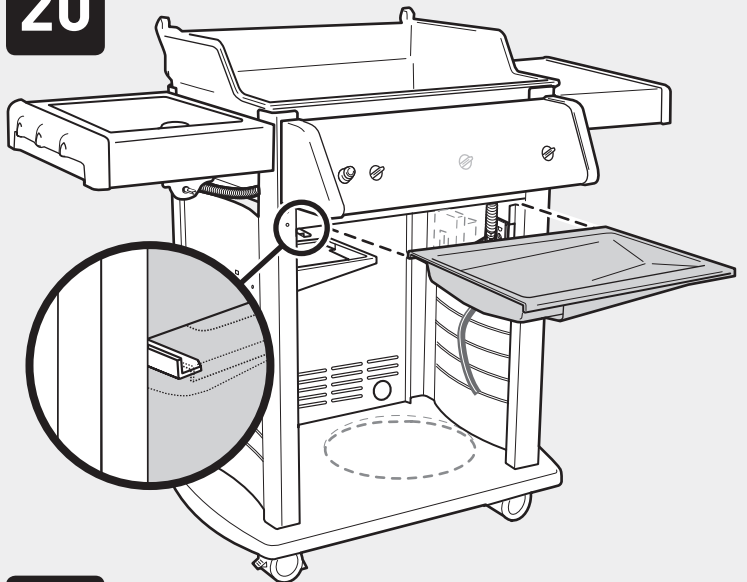
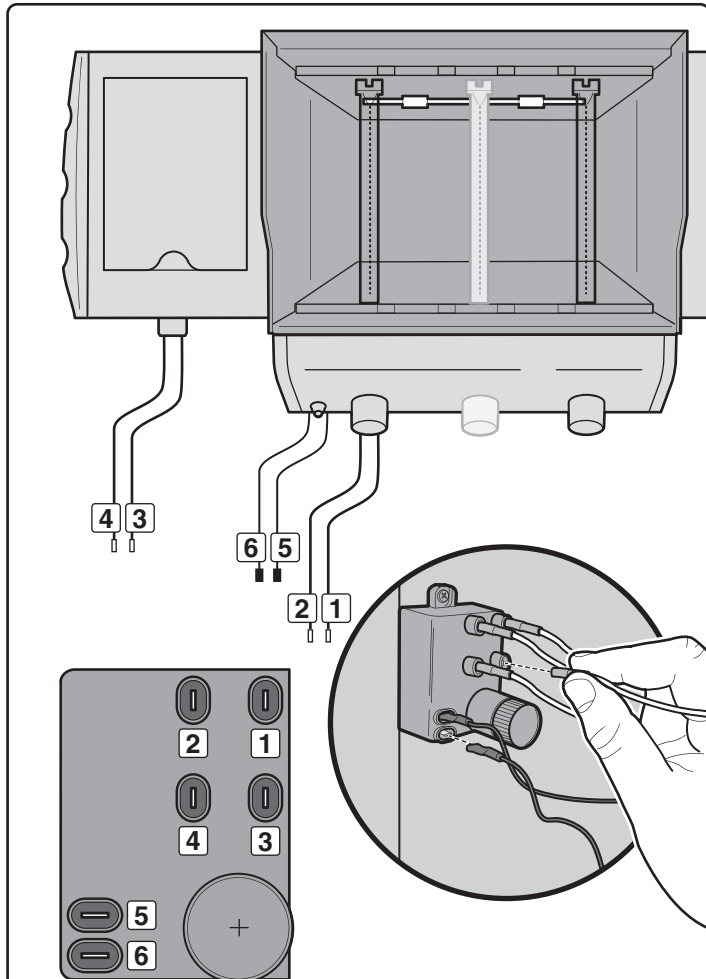
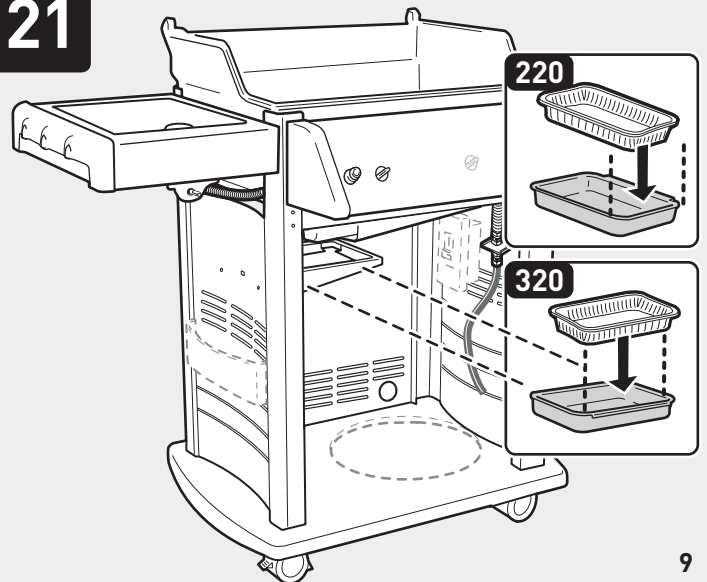


17



16



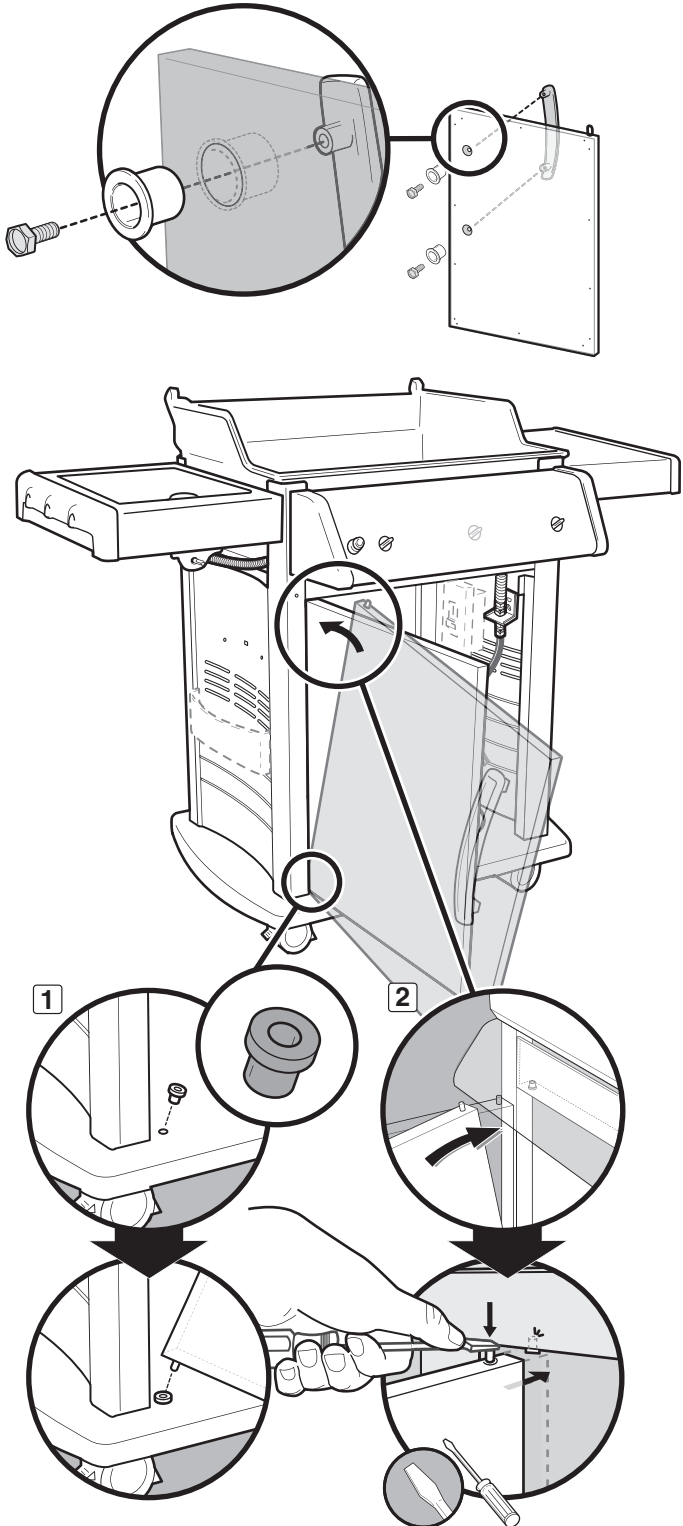
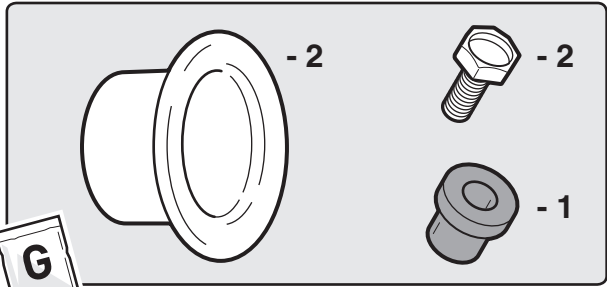
18**19****20****21**

See Owner's Guide for the Igniter Module Wire Guide chart.

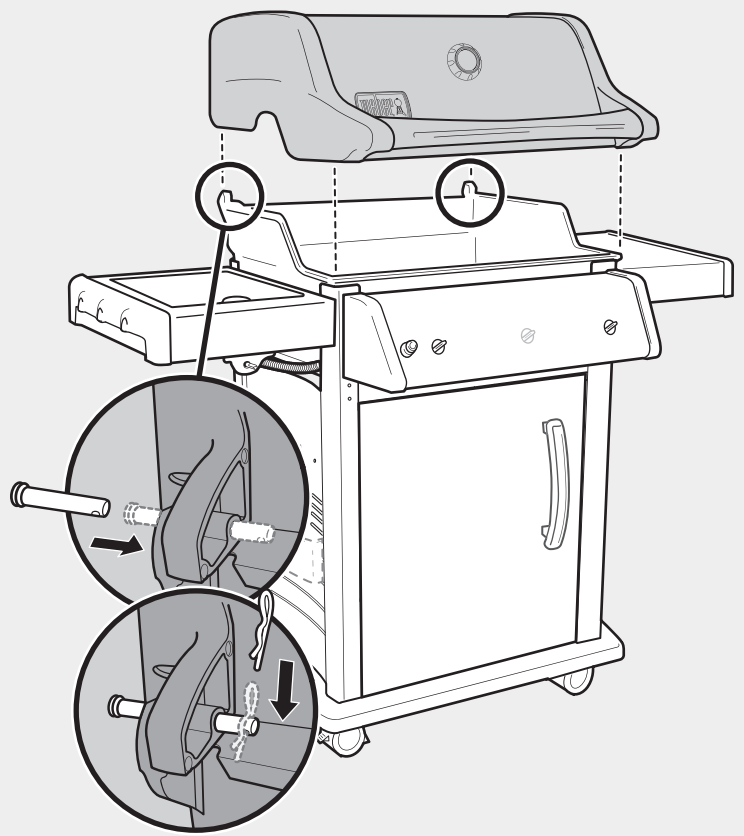
Vea el cuadro de la Guía de Cableado del Módulo del Encendedor en la Guía del Propietario.

Voir le Mode d'emploi pour le tableau Guide de câble du module de l'allumeur.

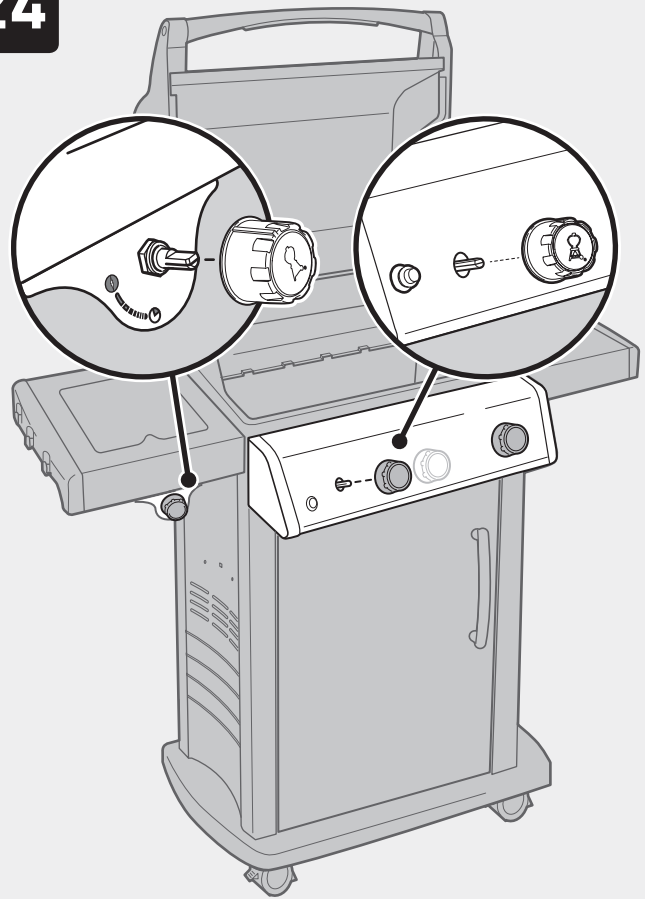
22



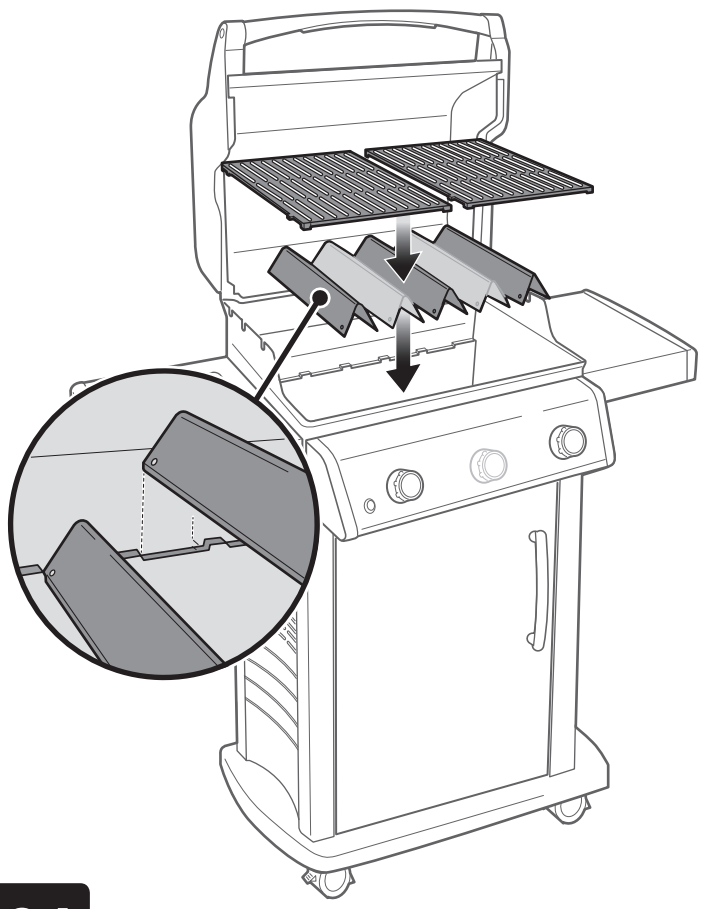
23



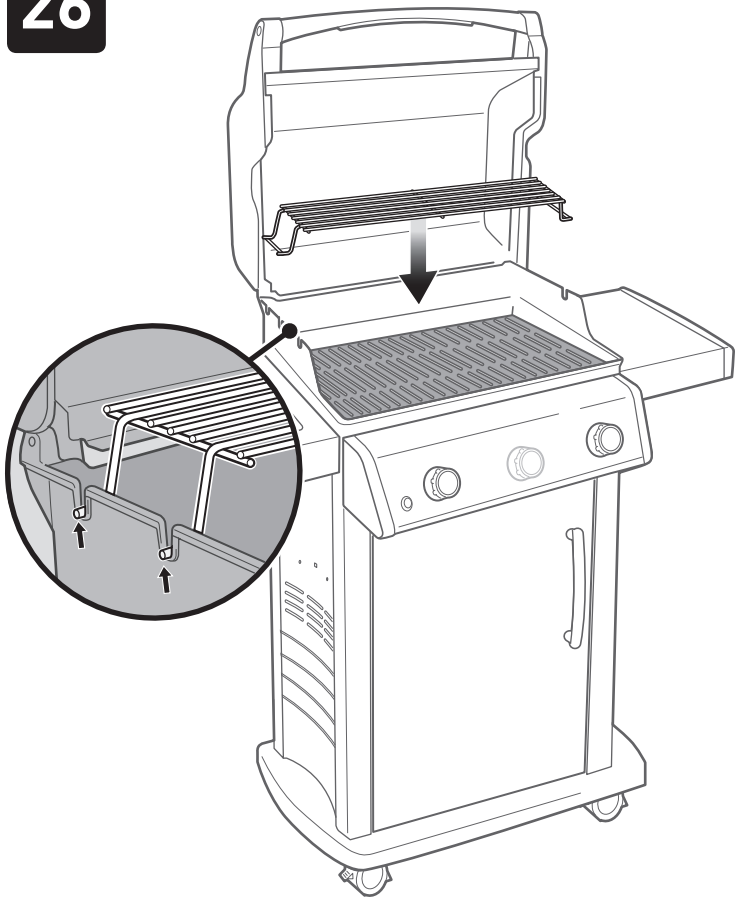
24



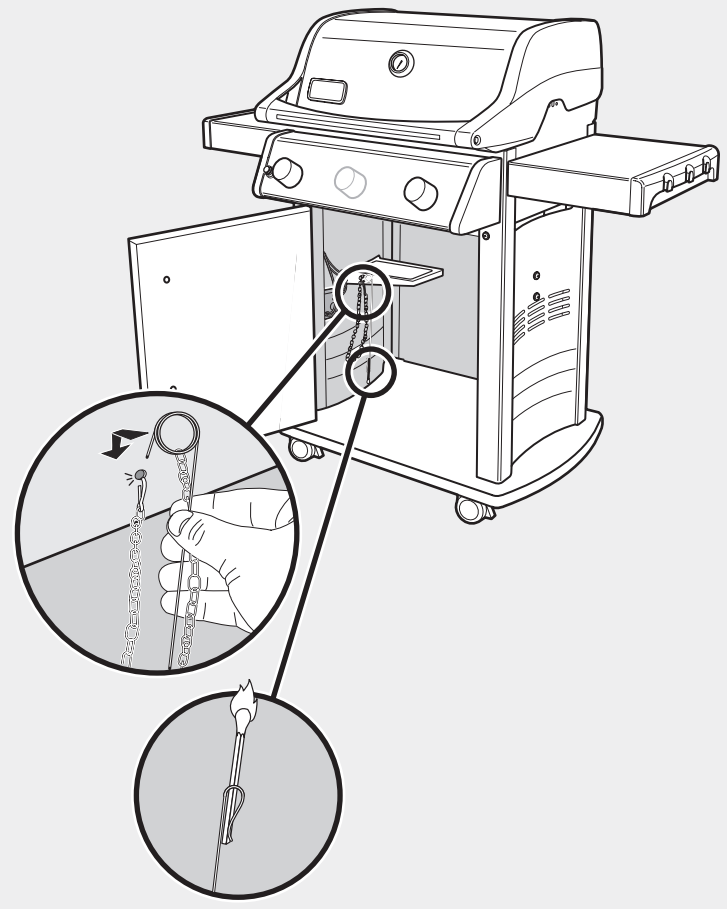
25 220 - 3 320 - 5



26



27 - 1





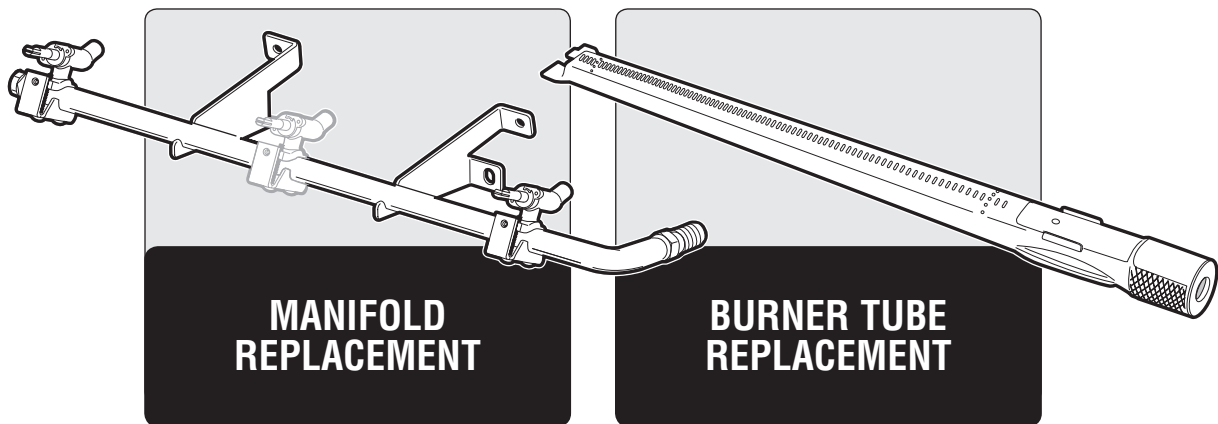
SPIRIT[®]

MANIFOLD / BURNER TUBE REPLACEMENT INSTRUCTIONS

**THIS PROCEDURE SHOULD ONLY BE PERFORMED BY AN AUTHORIZED
WEBER-STEPHEN PRODUCTS LLC SERVICE TECHNICIAN**

⚠ WARNING: GENUINE WEBER-STEPHEN REPLACEMENT PARTS MUST BE USED FOR ANY REPAIR OR REPLACEMENT. YOUR ACTIONS, IF YOU FAIL TO FOLLOW THIS PRODUCT WARNING, MAY CAUSE A FIRE, AN EXPLOSION, OR STRUCTURAL FAILURE RESULTING IN SERIOUS PERSONAL INJURY OR DEATH AS WELL AS DAMAGE TO PROPERTY. (WILL VOID ALL WARRANTY PROTECTION.)

⚠ DANGER: BEFORE PERFORMING ANY WORK MAKE SURE THE GAS SUPPLY IS TURNED OFF AT THE SOURCE. FAILURE TO FOLLOW DANGERS, WARNINGS AND CAUTIONS CONTAINED IN THIS INSTRUCTION SHEET MAY CAUSE A FIRE OR AN EXPLOSION RESULTING IN SERIOUS PERSONAL INJURY OR DEATH AS WELL AS DAMAGE TO PROPERTY.



⚠ BEFORE STARTING: Make sure lid is closed and casters are locked to prevent grill from moving.

NOTE: Grills illustrated may have slight differences than model purchased.

1

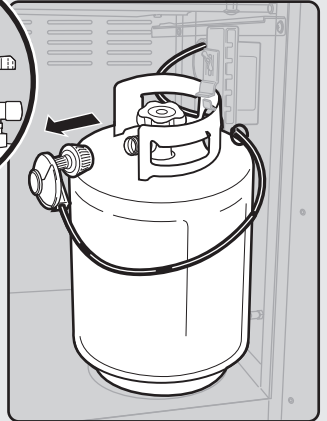
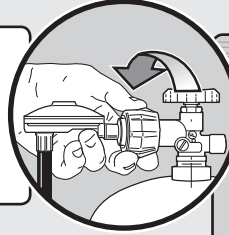
DISCONNECTION OF HOSE FROM GAS SOURCE

NORTH AMERICAN GRILLS

LP UNITS:

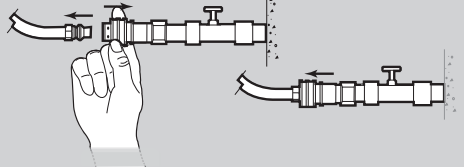
- A) Make sure gas supply is turned off at source.
- B) Disconnect LP cylinder from inside of cabinet base.
- C) Remove LP cylinder from cabinet base.

⚠ WARNING: Do not use a wrench to loosen the connection. Using a wrench could damage the regulator coupling and could cause a leak.



NG UNITS:

- A) Make sure gas supply is turned off at source.
- B) Slide collar of quick-disconnect back to remove flexible gas supply hose from gas source.



EXPORT GRILLS

LPG UNITS:

⚠ WARNING: Make sure that the LPG cylinder or regulator valve is closed.

- A) Remove the gas supply cylinder by shutting off the gas supply and disconnecting the hose and regulator assembly from the cylinder.
Identify your regulator type. Follow the disconnection instructions for that regulator.

Disconnect by Turning Anti-Clockwise

Unscrew regulator from cylinder by turning fitting anti-clockwise (1).

Disconnect by Turning Clockwise

Unscrew regulator from cylinder by turning fitting clockwise (2) (3).

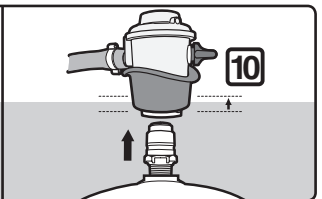
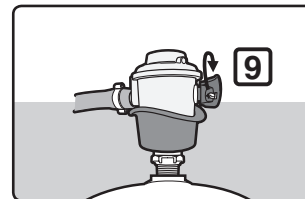
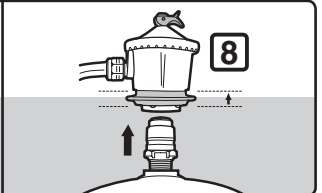
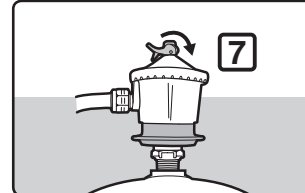
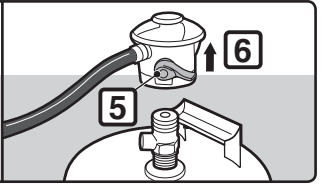
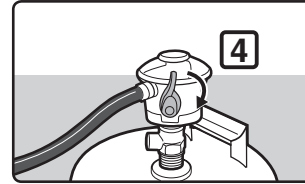
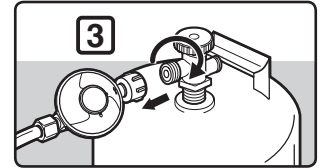
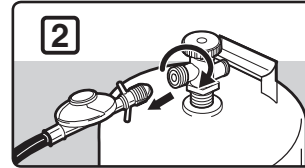
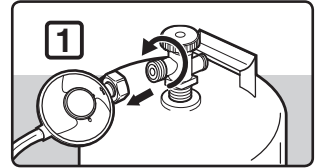
Disconnect by Turning Lever

Turn regulator lever to the down/off position (4). Push in on regulator lever (5) until it releases from the cylinder (6).

Disconnect by Sliding Collar

Make sure regulator lever is in the off position (7) (9). Slide the collar of the regulator up (8) (10) to disconnect from the cylinder.

- B) Remove LPG cylinder.



NG UNITS:

- A) Make sure gas supply is turned off at source.

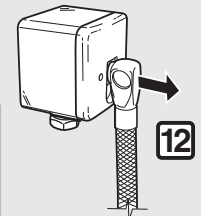
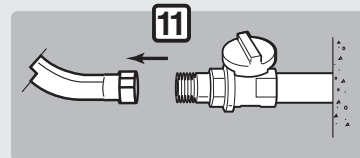
Manual Shut-Off Valve

- B) Disconnect flexible gas supply hose from manual shut-off valve (11). Refer to instructions included with your flexible gas supply hose.

— OR —

Gas Outlet Valve

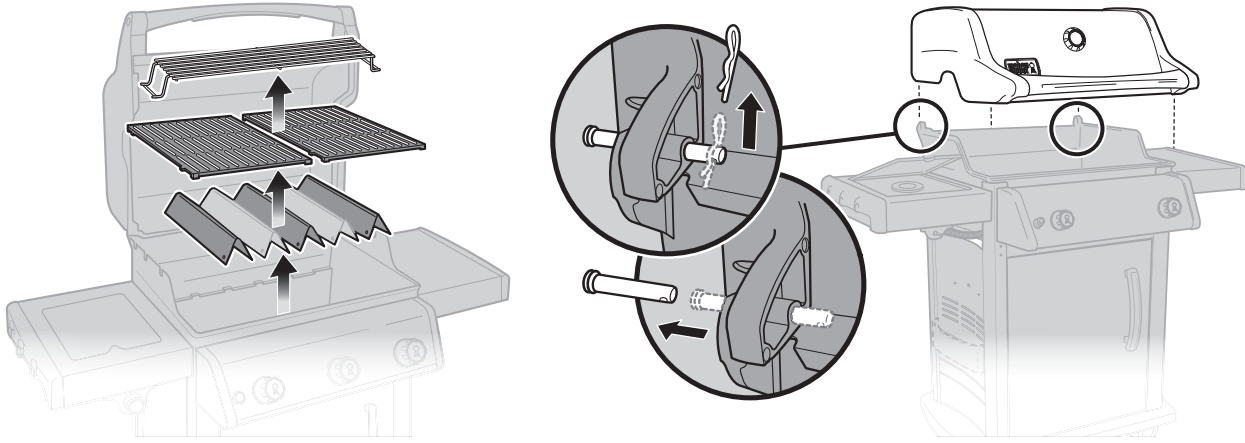
- B) Disconnect flexible gas supply hose from gas outlet valve (12). Pull plug out to disengage hose from cover plate. (This automatically shuts off gas.) Refer to instructions included with your flexible gas supply hose.



See Owner's Guide for complete gas connection and removal instructions.

2

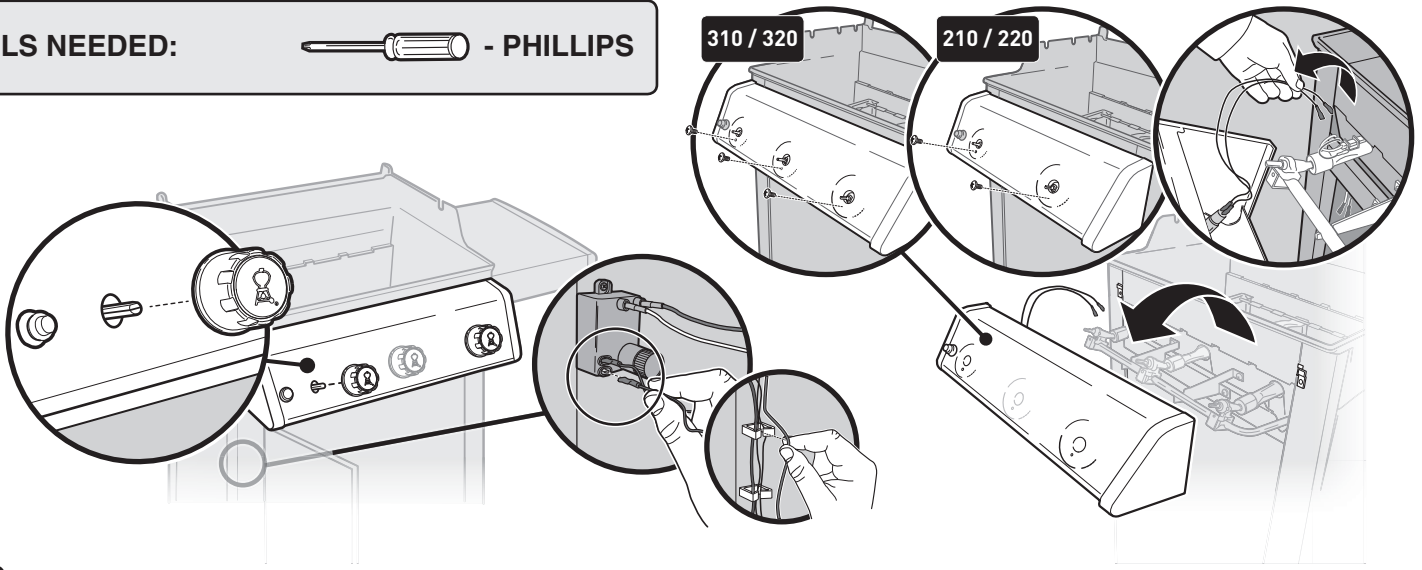
LID ASSEMBLY AND COOKBOX COMPONENTS REMOVAL



3

CONTROL PANEL REMOVAL

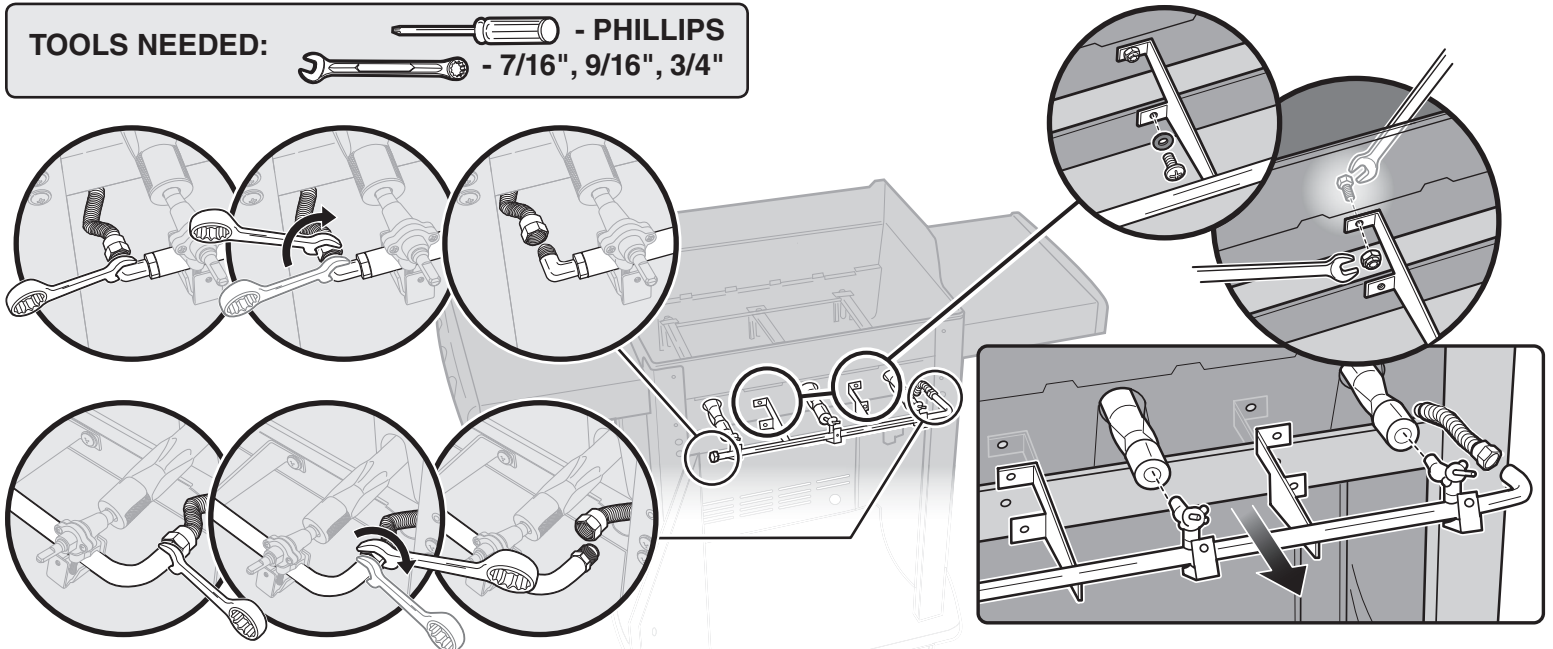
TOOLS NEEDED:



4

MANIFOLD REMOVAL

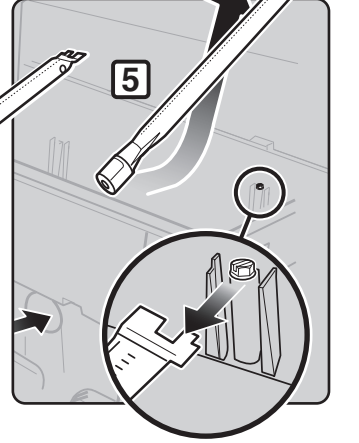
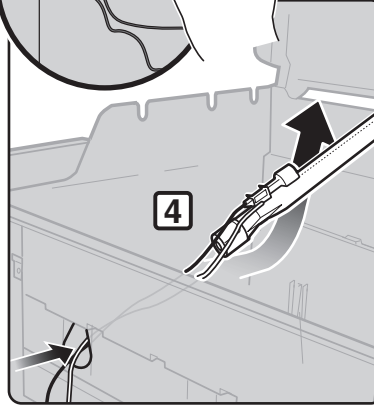
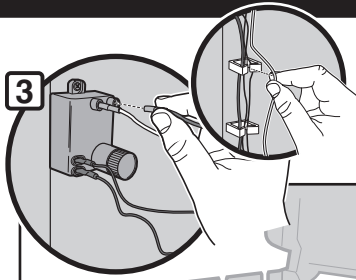
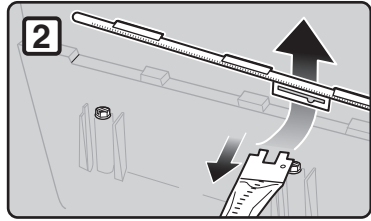
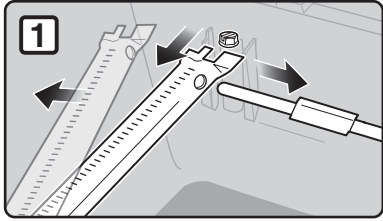
TOOLS NEEDED:



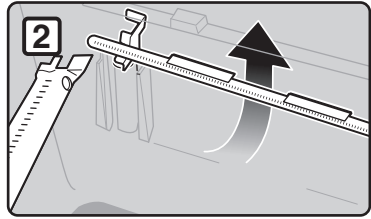
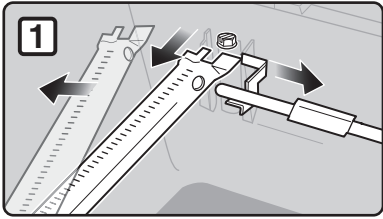
5

BURNER TUBE REMOVAL

310/320



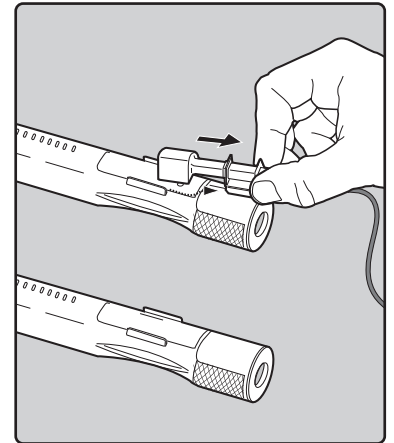
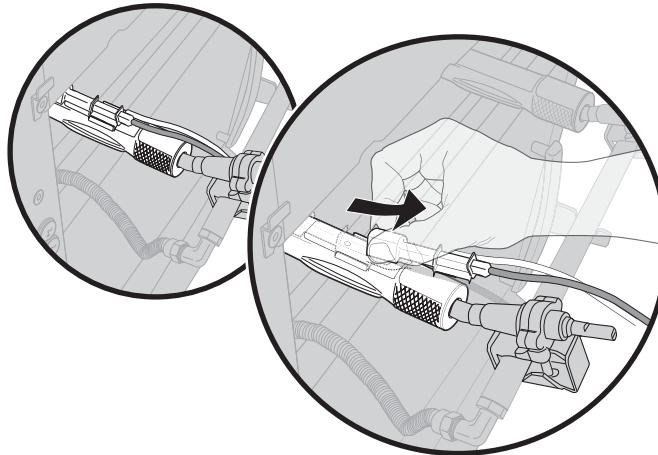
210/220



6

IGNITER ELECTRODE REMOVAL

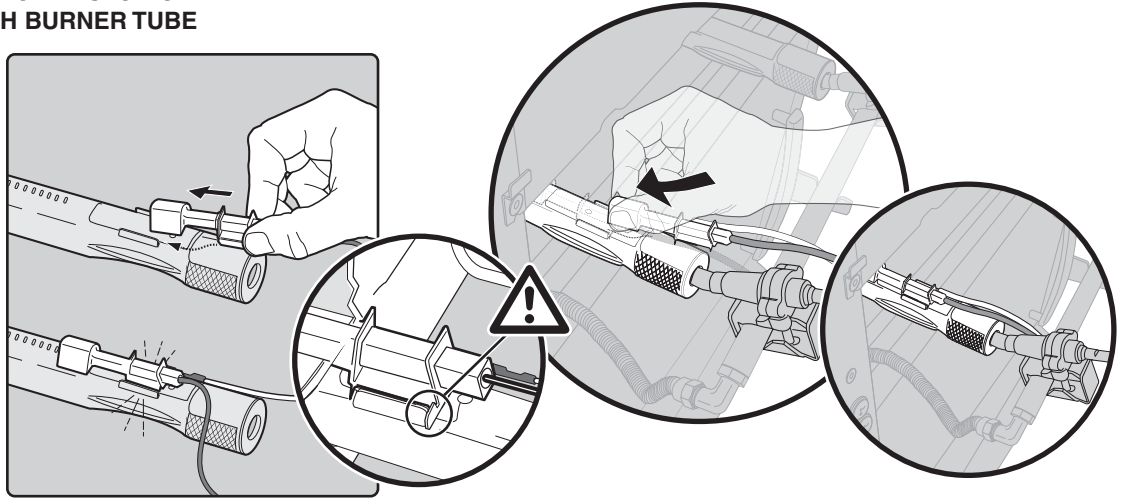
REMOVAL NOTE: If igniter electrode assembly does not easily slide out from mounting bracket, use a small pair of pliers or channel locks to grasp metal igniter bracket of igniter electrode assembly.



• REPLACEMENT PART INSTALLATION

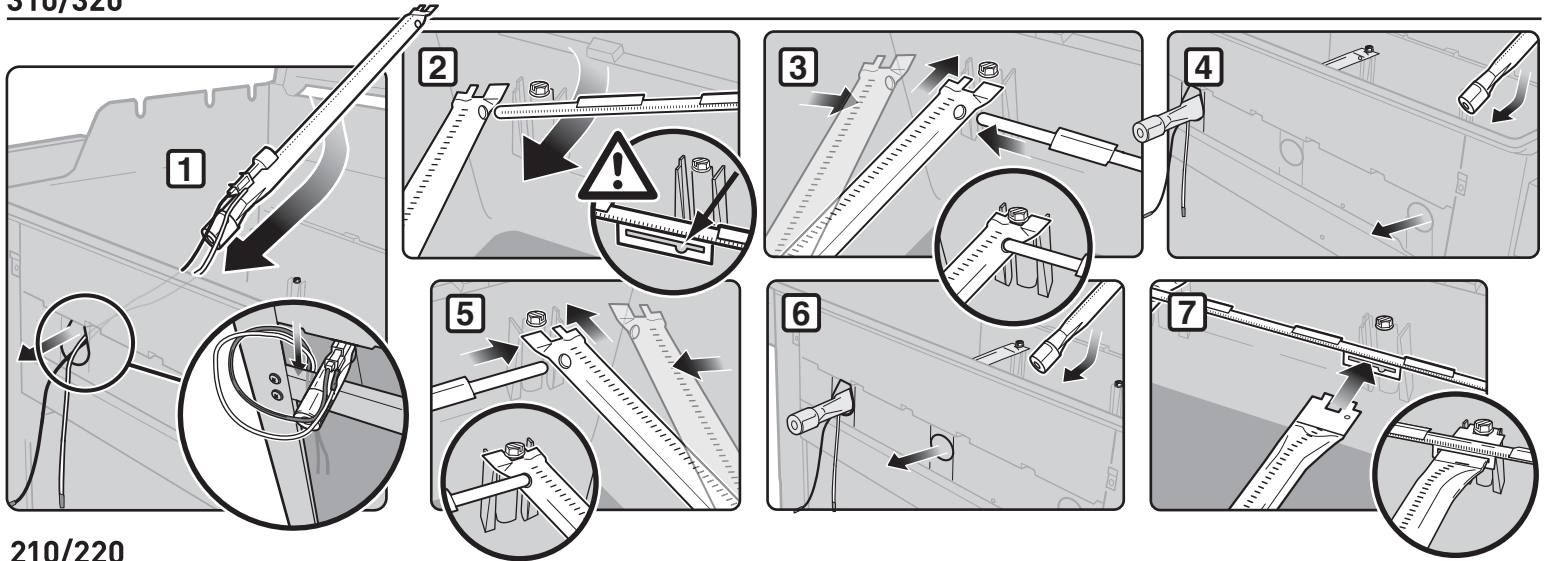
7 IGNITER ELECTRODE REINSTALLATION

VISUAL CHECK: SEE IF IGNITER BRACKET STOP ON IGNITER ELECTRODE IS FLUSH WITH BURNER TUBE MOUNTING BRACKET.

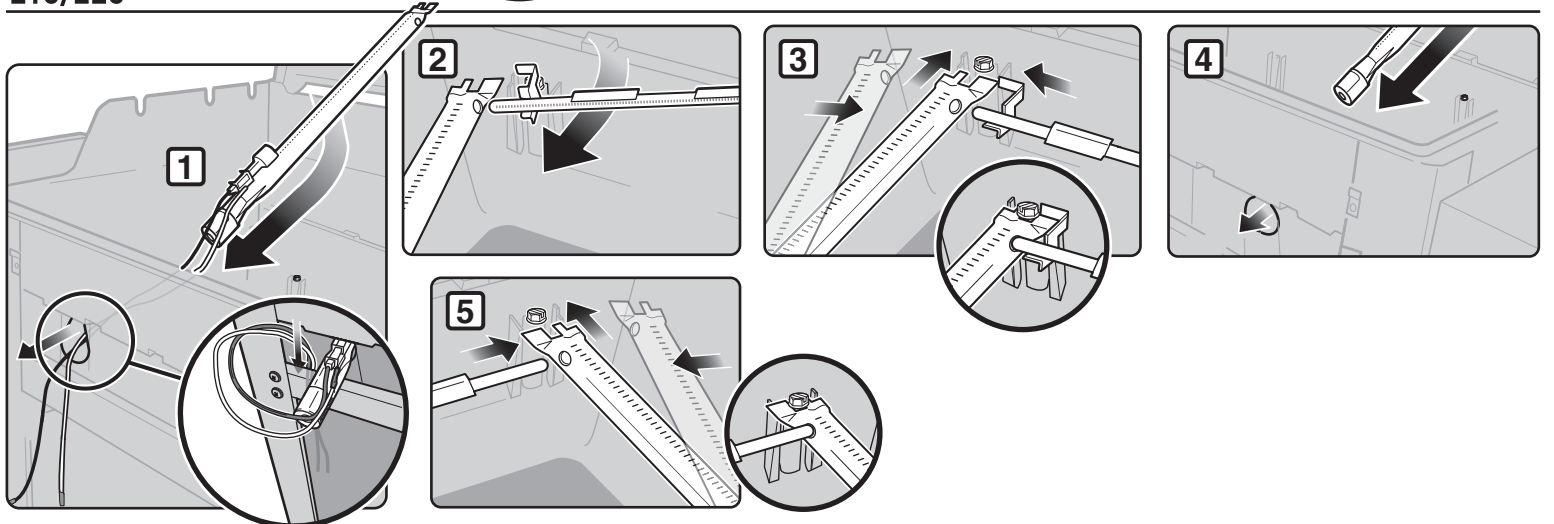


8 BURNER TUBE INSTALLATION

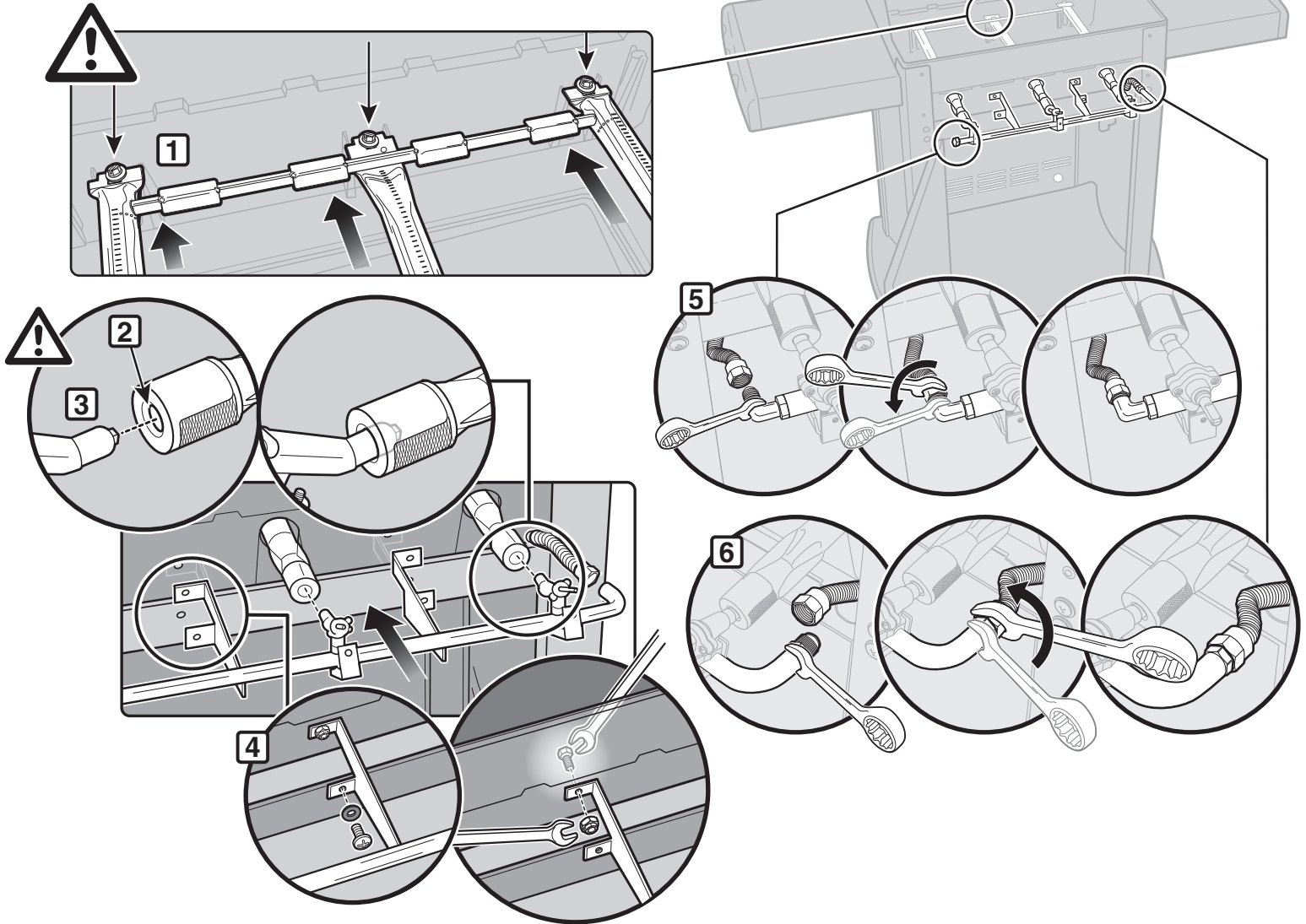
310/320



210/220



TOOLS NEEDED:

 - PHILLIPS
 - 7/16", 9/16", 3/4"

CAUTION: Burner tube openings (2) must be positioned properly over valve openings (3).

⚠ WARNING: Make sure all control knobs are turned to the OFF position before reconnecting gas supply and operating grill. Your actions, if you fail to follow this Product Warning, may cause a fire, an explosion, or structural failure resulting in serious personal injury or death as well as damage to property.

10

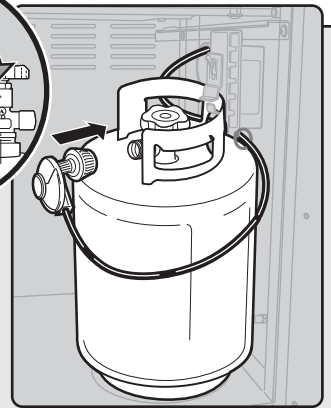
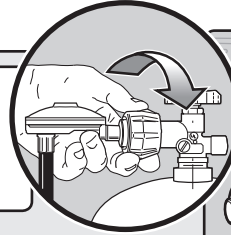
CONNECTION OF HOSE TO GAS SOURCE

NORTH AMERICAN GRILLS

LP UNITS:

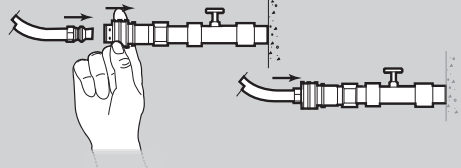
- A) Reinstall LP cylinder into cabinet base.
- B) Screw regulator coupling onto cylinder valve; turn clockwise, or to the right.

⚠ WARNING: Do not use a wrench to tighten connection. Using a wrench could damage regulator coupling and could cause a leak.



NG UNITS:

- A) Slide collar of quick-disconnect back and reconnect flexible gas supply hose.



EXPORT GRILLS

LPG UNITS:

⚠ WARNING: Make sure that the LPG cylinder or regulator valve is closed.

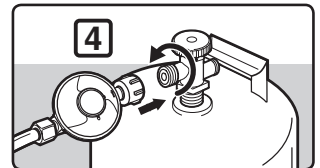
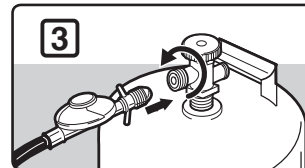
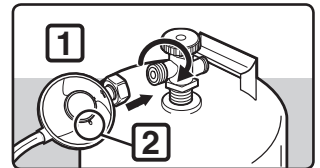
- A) Connect regulator to LPG cylinder.

Some regulators push ON to connect and pull OFF to disconnect; others have a nut with a left-hand thread that connects to the cylinder valve.

Identify your regulator type and follow one of the connection instructions specific to that regulator.

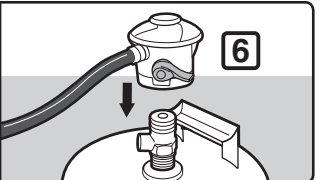
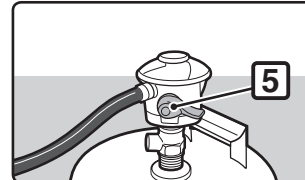
Connect by Turning Clockwise

Screw regulator onto cylinder by turning fitting clockwise (1). Position the regulator so that the vent hole (2) faces down.



Connect by Turning Anti-Clockwise

Screw regulator onto cylinder by turning fitting anti-clockwise (3) (4).

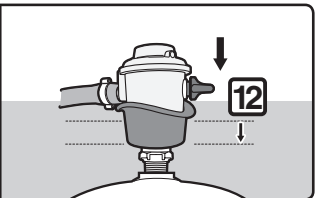
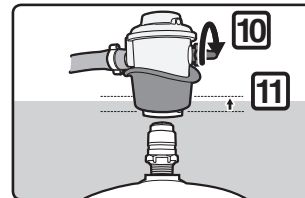
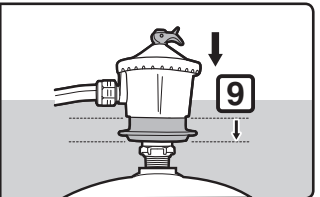
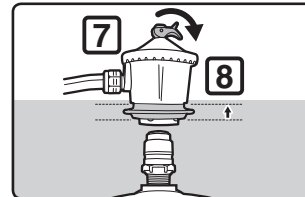


Connect by Pushing Lever/Snapping into Position

Turn regulator lever (5) to the down/off position. Push regulator down on cylinder valve until regulator snaps into position (6).

Connect by Sliding Collar

Make sure regulator lever is in the off position (7) (10). Slide the collar of the regulator up (8) (11). Push the regulator down onto the cylinder valve and maintain pressure. Slide collar down to close (9) (12). If regulator does not lock, repeat procedure.



NG UNITS:

- A) Make sure gas supply is turned off at source.

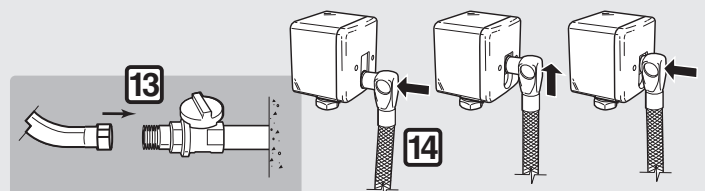
Manual Shut-Off Valve

- B) Connect flexible gas supply hose to manual shut-off valve (13). Refer to instructions included with your flexible gas supply hose.

— OR —

Gas Outlet Valve

- B) Connect flexible gas supply hose to gas outlet valve (14). Insert plug into circular receptacle on cover plate, slide plug upward, and push plug in to engage. Refer to instructions included with your flexible gas supply hose.



See Owner's Guide for complete gas connection and removal instructions.

⚠ WARNING: Make sure all control knobs are turned to the OFF position before reconnecting gas supply and operating grill. Your actions, if you fail to follow this Product Warning, may cause a fire, an explosion, or structural failure resulting in serious personal injury or death as well as damage to property.

11

CHECK FOR GAS LEAKS

⚠ DANGER

Do not use an open flame to check for gas leaks. Be sure there are no sparks or open flames in the area while you check for leaks. Sparks or open flames will result in a fire or explosion, which can cause serious bodily injury or death and damage to property.

You will need: a soap and water solution and a rag or brush to apply it.

- A) Mix soap and water.
 - B) Turn gas supply on at source.
 - C) Check for leaks by wetting fittings with soap and water solution and watching for bubbles. If bubbles form, or if a bubble grows, there is a leak.
- NOTE: When leak checking is complete, turn gas supply off at the source and rinse connections with water.**

Check:

- D) Hose-to-Bulkhead connection (1).
- E) Main gas line-to-Bulkhead connection (2).
- F) Main gas line-to-Manifold connection (3).
- G) Side burner line-to-Manifold connection (4).
- H) Side burner valve-to-Side burner line connection (5).

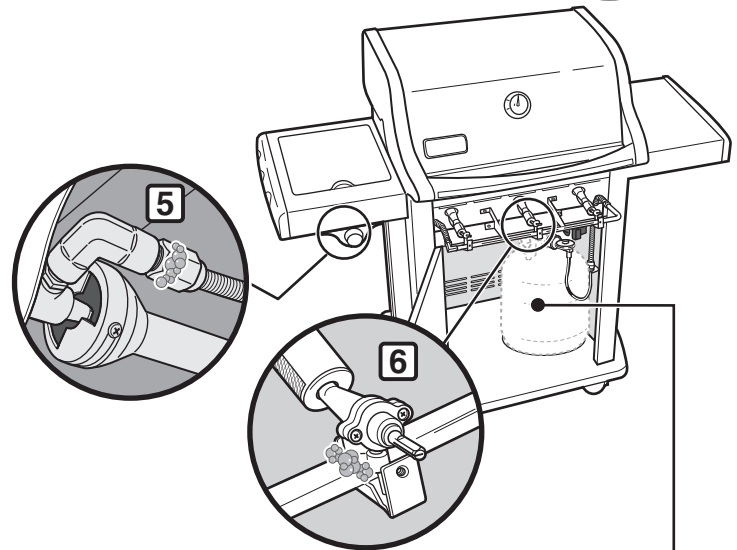
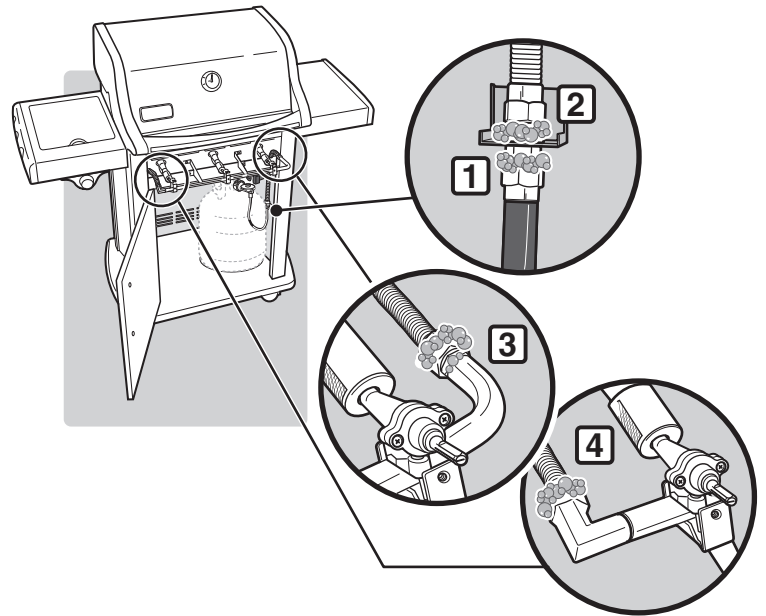
⚠ DANGER: If there is a leak at connection (1,2,3,4 or 5), retighten the fitting with a wrench and recheck for leaks with soap and water solution. If a leak persists, turn OFF the gas. DO NOT OPERATE THE BARBEQUE. Failure to follow dangers, warnings and cautions contained in this Instruction sheet may cause a fire or an explosion resulting in serious personal injury or death as well as damage to property. Contact the Customer Service Representative in your area using the contact information on our website. Log onto www.weber.com.

- E) Valves-to-manifold connections (6).
- F) Regulator-to-cylinder connections (7) (10).
- G) Regulator hose-to-regulator connections (8) (11).
- H) Flexible gas supply hose to gas supply connection (9) (12).

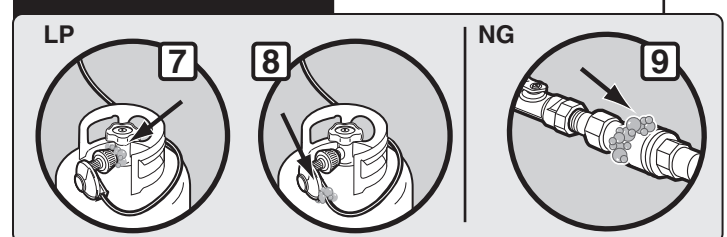
⚠ DANGER: If there is a leak at connection (6, 7, 8, 9, 10, 11 or 12), turn off the gas. DO NOT OPERATE THE BARBEQUE. Failure to follow dangers, warnings and cautions contained in this Instruction sheet may cause a fire or an explosion resulting in serious personal injury or death as well as damage to property. Contact the Customer Service Representative in your area using the contact information on our website. Log onto www.weber.com.

When leak checks are complete, turn gas supply OFF at the source and rinse connections with water.

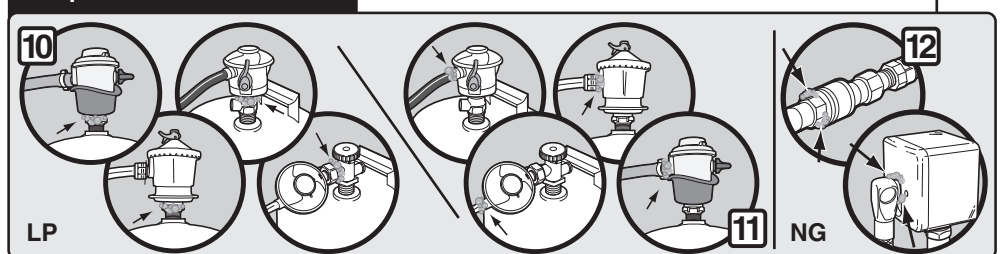
⚠ IMPORTANT: To do a proper leak check, the control panel must be removed. After checking for leaks, replace the control panel and control knobs.



US Gas Sources:



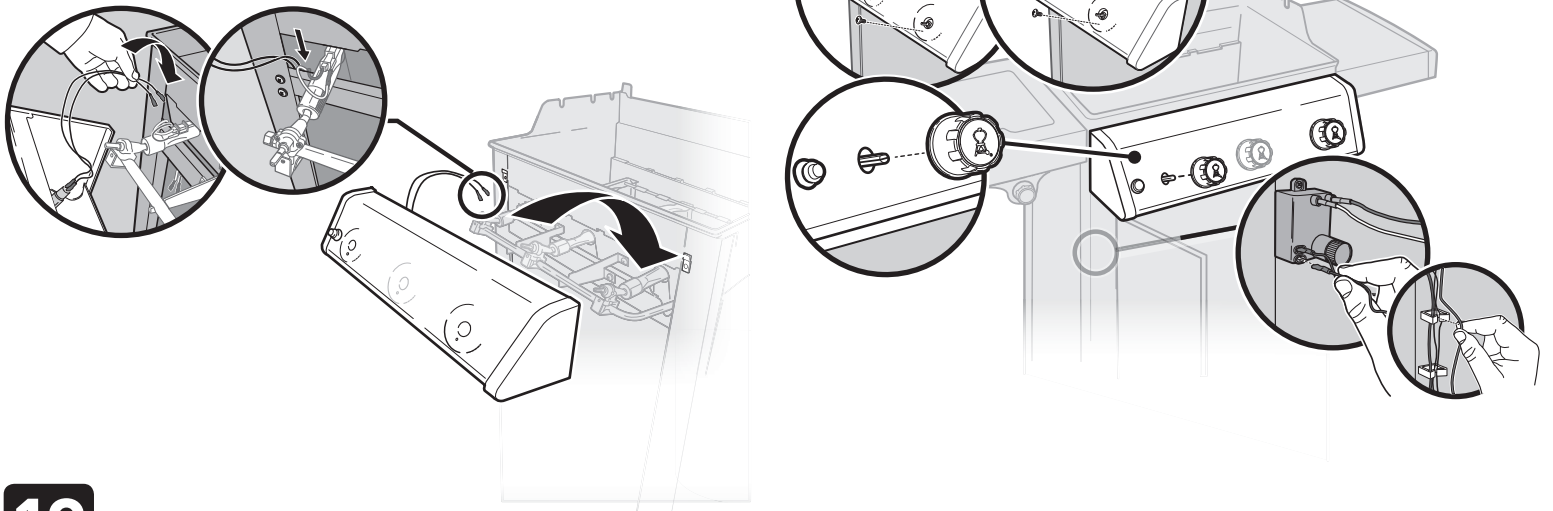
Export Gas Sources:



12

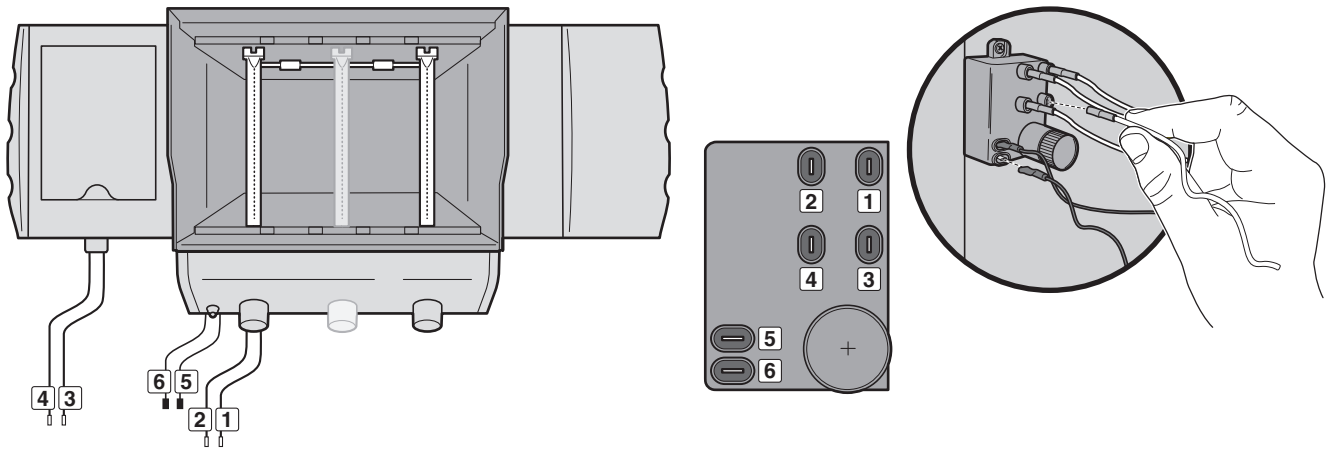
CONTROL PANEL REINSTALLATION

TOOLS NEEDED:



13

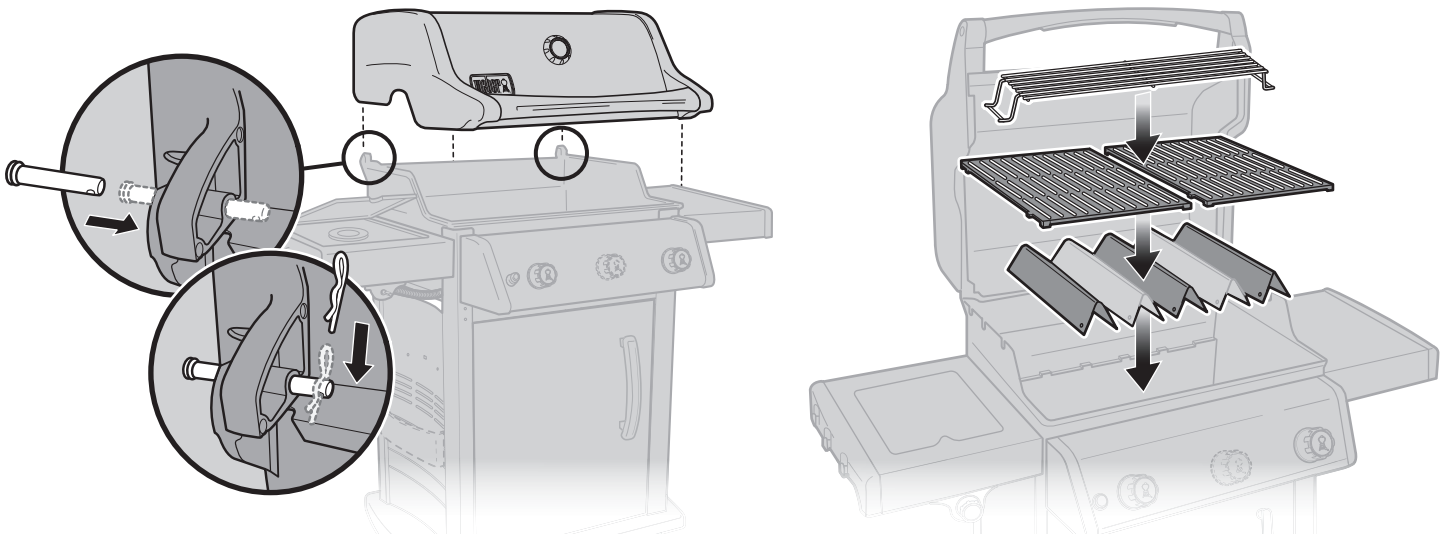
CHECK IGNITOR WIRES



REASSEMBLY NOTE: After completely checking ignitor wires, check for igniter spark. Push down on igniter button, listen for a clicking sound, and check for a spark at ceramic igniter. If you hear a click and see a spark, igniter module is working.

14

LID ASSEMBLY AND COOKBOX COMPONENTS REINSTALLATION





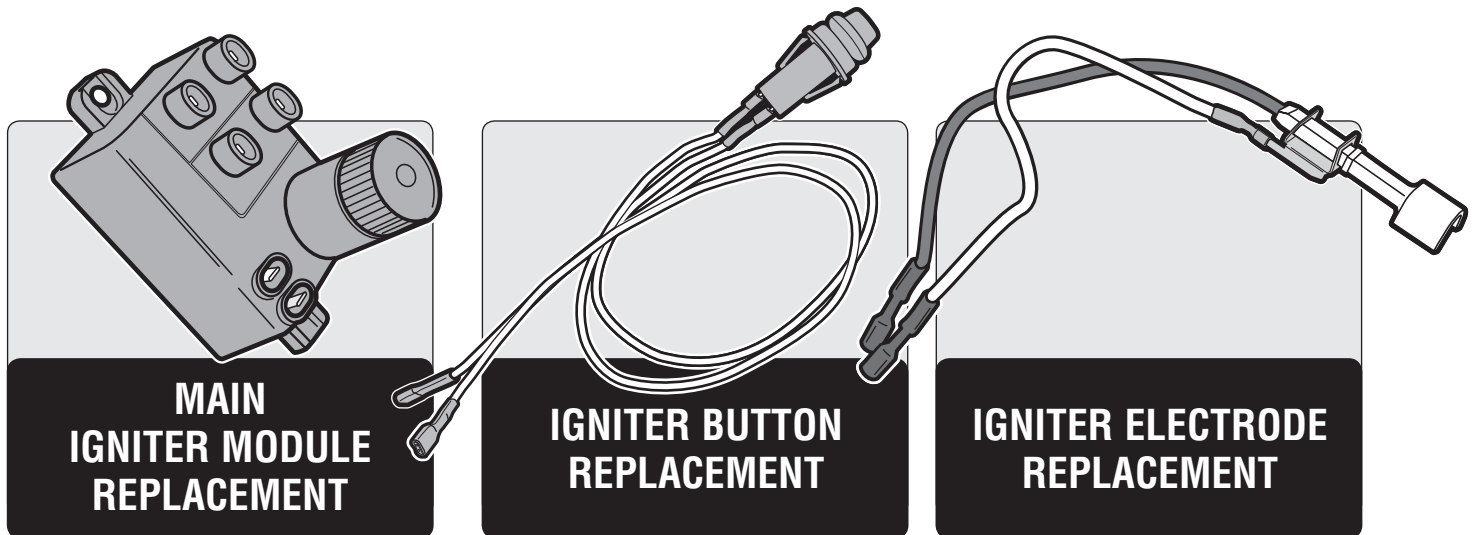
SPiRiT

MAIN IGNITER MODULE / BUTTON / IGNITER ELECTRODE REPLACEMENT INSTRUCTIONS

**THIS PROCEDURE SHOULD ONLY BE PERFORMED BY AN AUTHORIZED
WEBER-STEPHEN PRODUCTS LLC SERVICE TECHNICIAN**

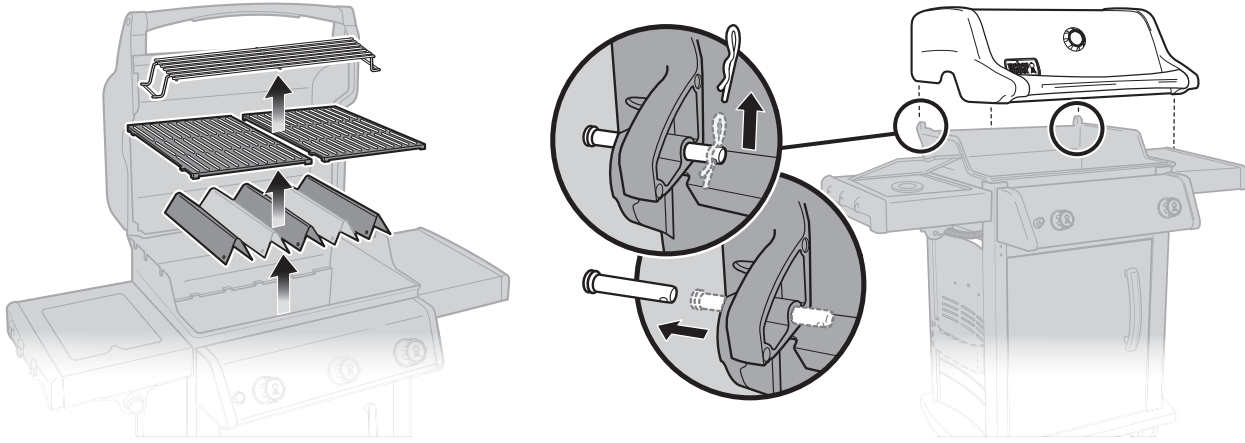
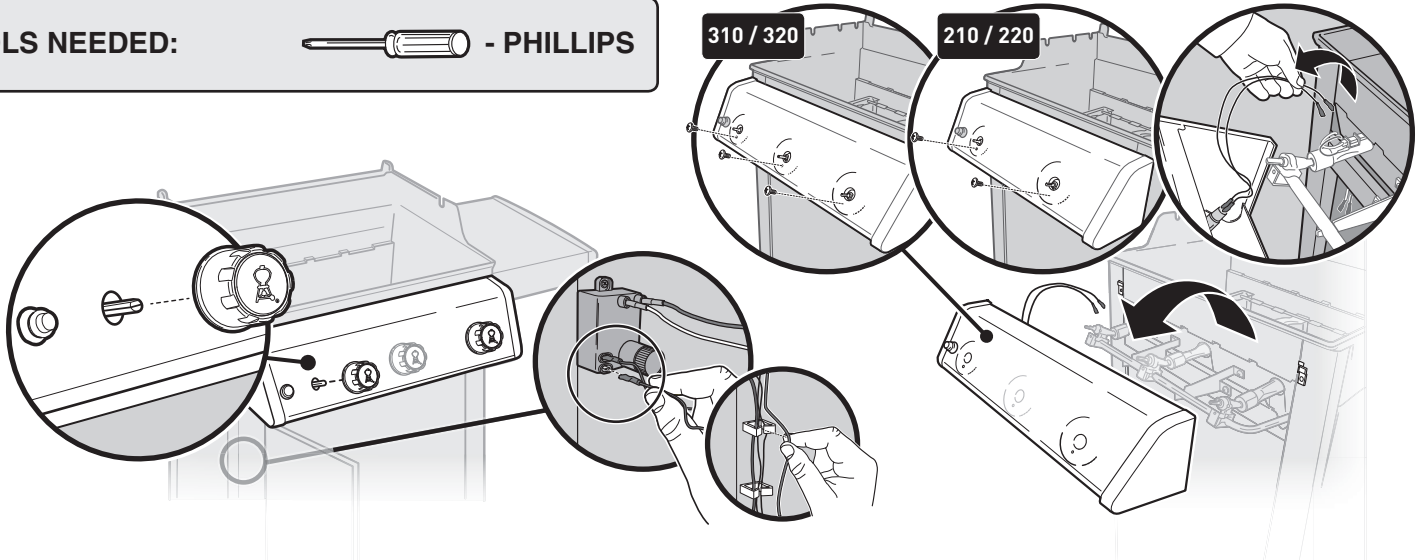
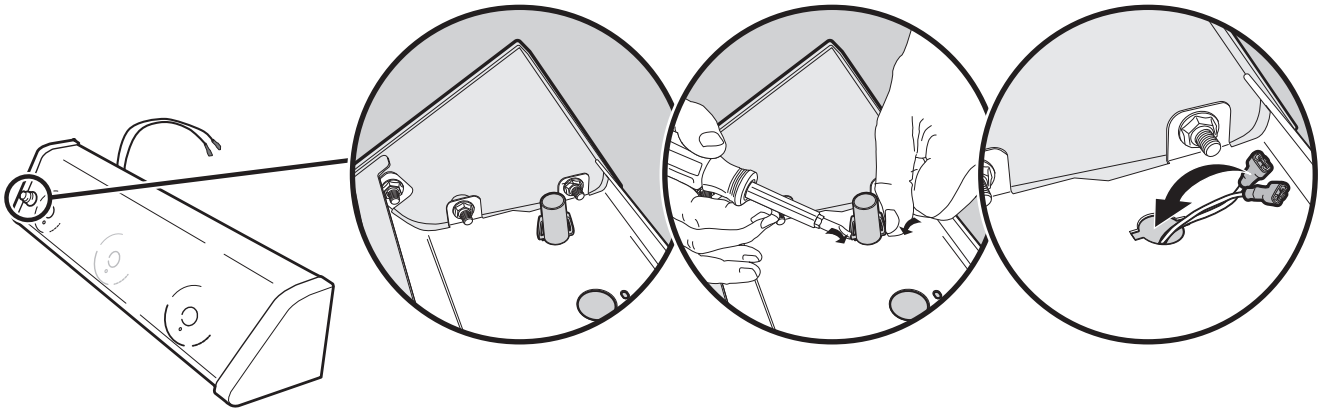
⚠ WARNING: GENUINE WEBER-STEPHEN REPLACEMENT PARTS MUST BE USED FOR ANY REPAIR OR REPLACEMENT. YOUR ACTIONS, IF YOU FAIL TO FOLLOW THIS PRODUCT WARNING, MAY CAUSE A FIRE, AN EXPLOSION, OR STRUCTURAL FAILURE RESULTING IN SERIOUS PERSONAL INJURY OR DEATH AS WELL AS DAMAGE TO PROPERTY. (WILL VOID ALL WARRANTY PROTECTION.)

⚠ DANGER: BEFORE PERFORMING ANY WORK MAKE SURE THE GAS SUPPLY IS TURNED OFF AT THE SOURCE. FAILURE TO FOLLOW DANGERS, WARNINGS AND CAUTIONS CONTAINED IN THIS INSTRUCTION SHEET MAY CAUSE A FIRE OR AN EXPLOSION RESULTING IN SERIOUS PERSONAL INJURY OR DEATH AS WELL AS DAMAGE TO PROPERTY.



⚠ BEFORE STARTING: Make sure lid is closed and casters are locked to prevent grill from moving.

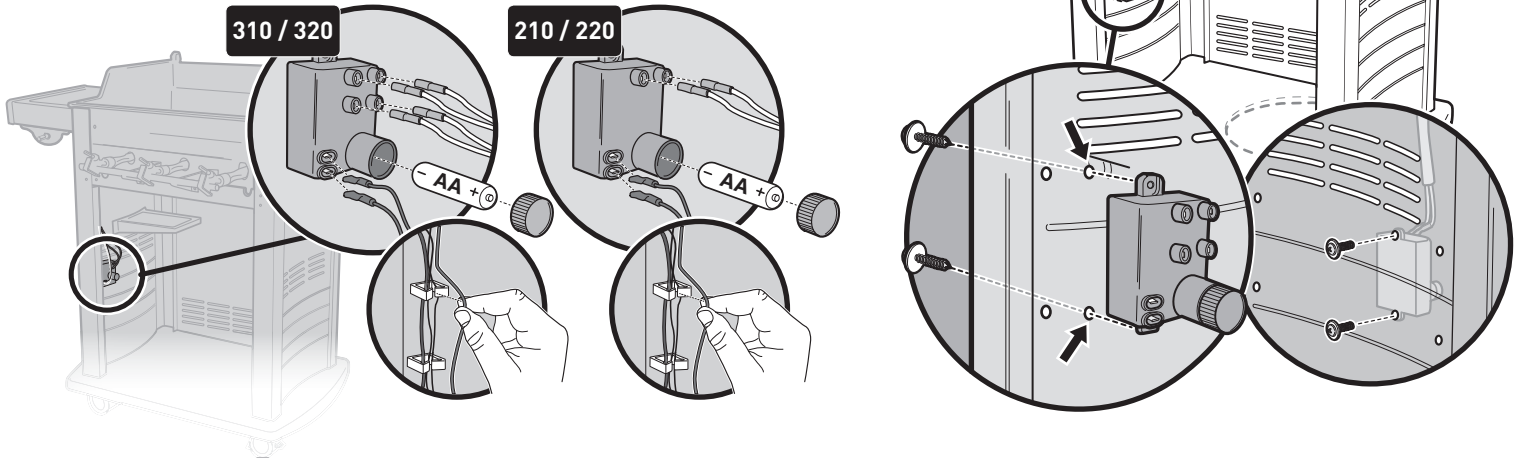
NOTE: Grills illustrated may have slight differences than model purchased.

1**LID ASSEMBLY AND COOKBOX COMPONENTS REMOVAL****2****CONTROL PANEL REMOVAL****TOOLS NEEDED:**
 - PHILLIPS
**3****IGNITER BUTTON REMOVAL**

4

MAIN IGNITER MODULE REMOVAL

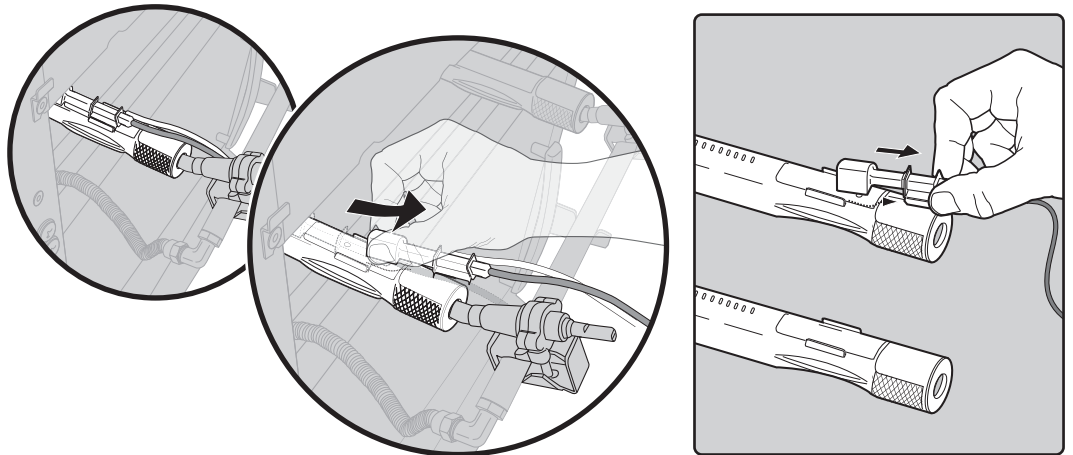
TOOLS NEEDED:



5

IGNITER ELECTRODE REMOVAL

REMOVAL NOTE: If igniter electrode assembly does not easily slide out from mounting bracket, use a small pair of pliers or channel locks to grasp metal igniter bracket of igniter electrode assembly.

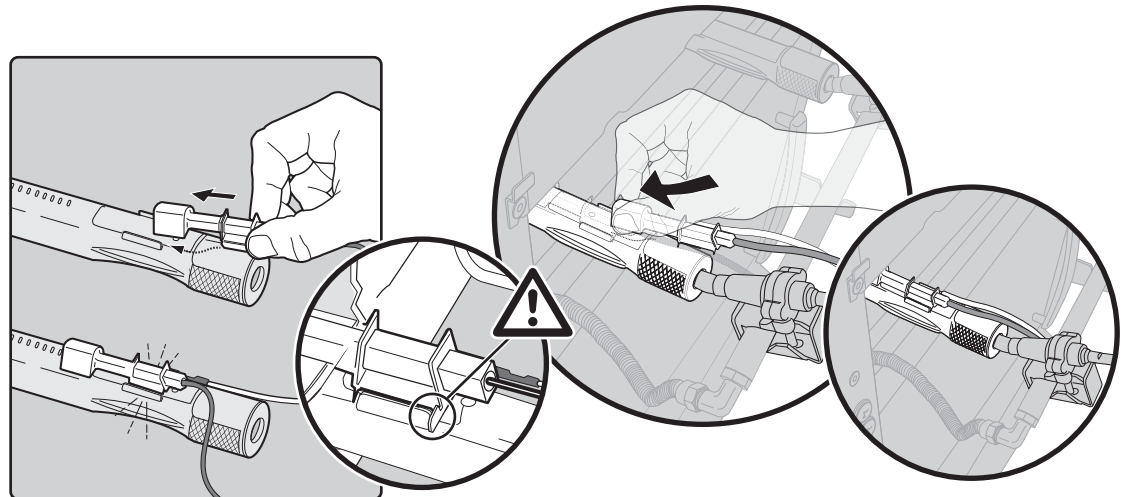


• REPLACEMENT PART INSTALLATION

6

IGNITER ELECTRODE INSTALLATION

REASSEMBLY NOTE: DO NOT USE ANY TOOLS TO INSTALL IGNITER ELECTRODE — JUST YOUR FINGERS. PUSH IGNITER ELECTRODE IN UNTIL YOU HEAR A SNAP OR FEEL IT LOCK INTO PLACE.



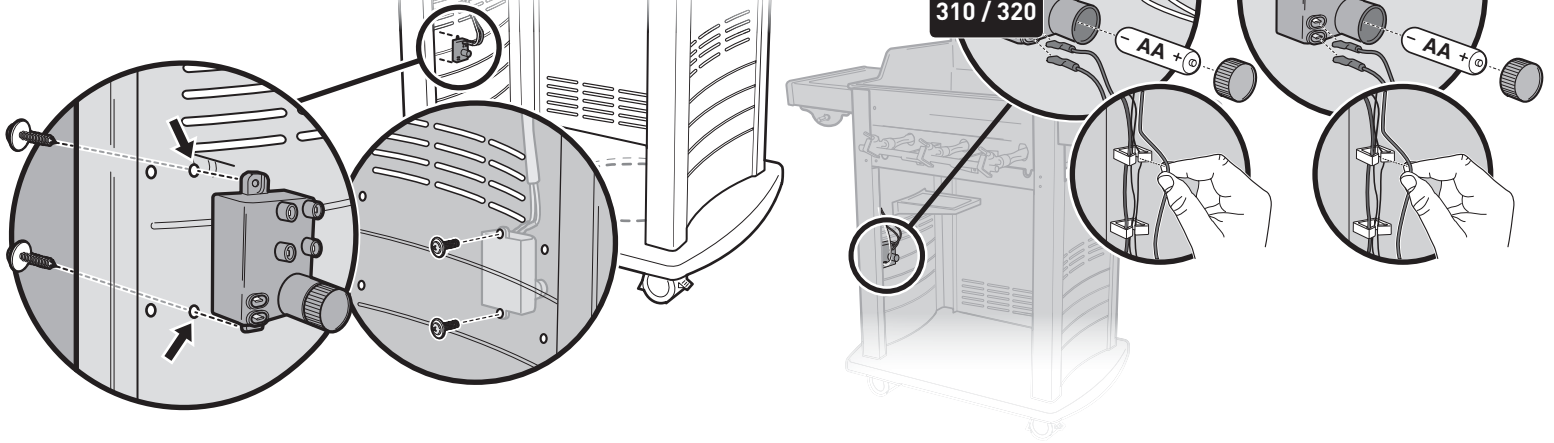
7

MAIN IGNITER MODULE INSTALLATION

TOOLS NEEDED:

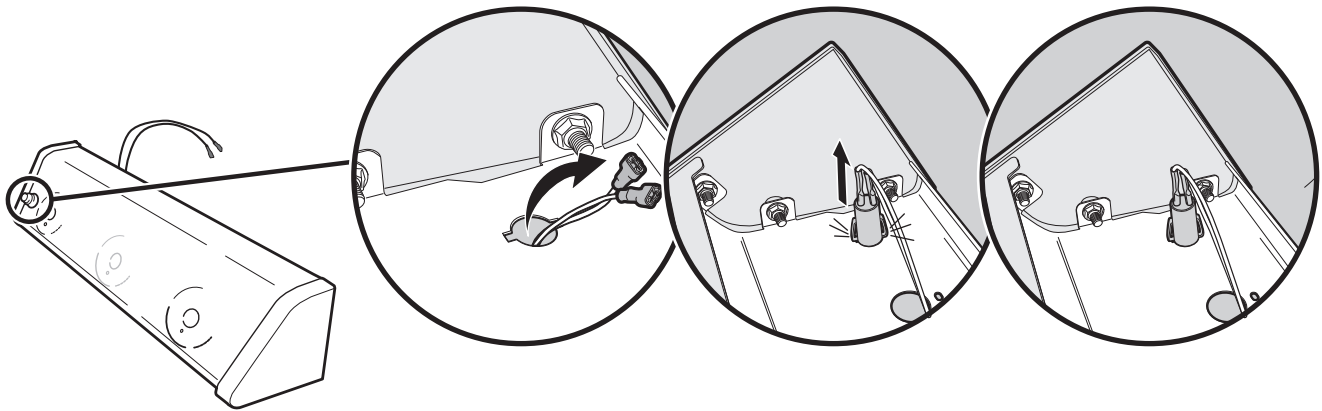


- PHILLIPS



8

IGNITER BUTTION INSTALLATION



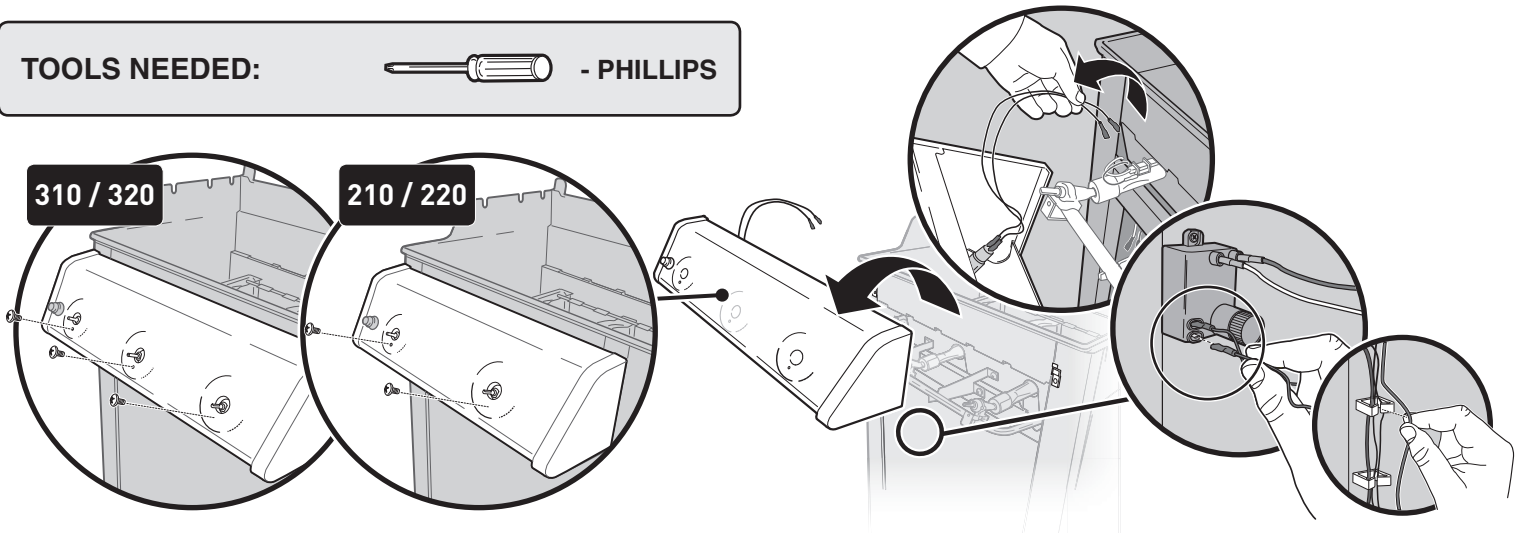
9

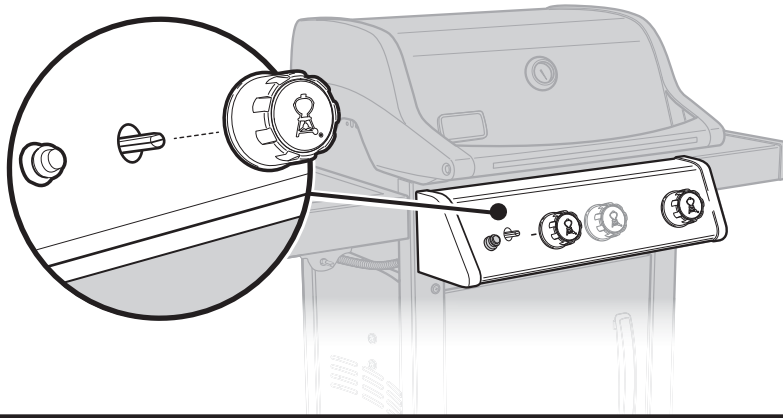
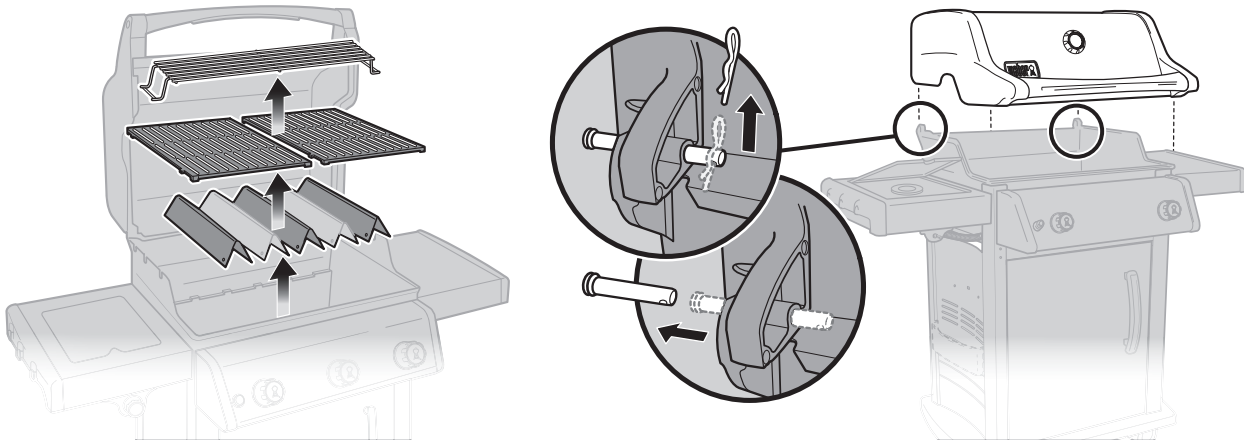
CONTROL PANEL REINSTALLATION

TOOLS NEEDED:



- PHILLIPS



10**CONTROL KNOB REINSTALLATION****11****LID ASSEMBLY AND COOKBOX COMPONENTS REINSTALLATION**

⚠ PROPOSITION 65 WARNING: HANDLING THE BRASS MATERIAL ON THIS PRODUCT EXPOSES YOU TO LEAD, A CHEMICAL KNOWN TO THE STATE OF CALIFORNIA TO CAUSE CANCER, BIRTH DEFECTS OR OTHER REPRODUCTIVE HARM.

(WASH HANDS AFTER HANDLING THIS PRODUCT.)

⚠ WARNING: Make sure all parts are assembled and hardware is fully tightened before operating the grill. Your actions, if you fail to follow this product warning, may cause a fire, an explosion, or structural failure resulting in serious personal injury or death as well as damage to property.



WEBER-STEPHEN PRODUCTS LLC
www.weber.com[®]