

This Owner's Manual is provided and hosted by [Appliance Factory Parts](#).



Weber 46113101 Owner's Manual

[Shop genuine replacement parts for Weber 46113101](#)



[Find Your Weber Grill Parts - Select From 2037 Models](#)

----- Manual continues below part list -----

Available Replacement Parts for Weber 46113101

01800	control knob
60540	THERMOMETER Q/SPRT/CHAR
69844	HDWE PIN CLEVIS/COTTER '13
7106	GRILL COVER, After Market Cover
62774	HDWE BRNR TUBE/GRSE RAILS GEN '11
03322	SPARK GENERATOR
80012	regulator and hose READ ADD. INFO
7614	ROTISSERIE SPIRIT US/CAN
129G3	BURNER TUBE KIT W CROSSOVER
04821	ELECTRODE WITH WIRE
63832	COOKING GRIDS, CI, SET OF 2
69794	ELECTRODE IGN ELCTRNC SPIRIT '13
69850	IGNITER KIT ELCTRNC 210/310 SPRT '13
84684	HDWE BAG B FRAME ASSY SPIRIT 13
83156	CATCH PAN KIT SPIRIT '12
69848	IGN MODULE 210/310 SPRT '13
69871	SWITCH IGN ELECTR SPIRIT '13
69841	GAS LINE MAIN SPIRIT '13
69790	BULKHEAD 3/8 SAE [M] SPIRIT '13 US
64809	PNL RHS ASSY CLS SPIRIT '14 US
69827	CASTER FIXED W/PLATE SPIRIT '13
69828	CASTER W/LOCK & PLATE SPIRIT '13
69880	TBL PIVOT SS SPIRIT '13
69826	BRKT PIVOT TBL PLAT SPRT '13
69845	HDWE PIVOT TBL CONNCT SPIRIT '13
69866	RACK WARM 200 SPIRIT '13
69899	BURNER CROSSOVER 200 SPRT '13
69892	KNOBS SET 200 SPIRIT '13
69830	CROSS PC FRONT 200 SPIRIT '13
69796	FLAVORIZERS 200 ENML SPIRIT '13

84688	HDWE BAG F DROP DOWN TBL SPIRIT 13
69768	MFLD ASSY 210 LP SPIRIT '13 US
69803	GREASE TRAY 200 SPIRIT '13
7105	GRILL COVER SPIRIT 200 SERIES AMER
64814	SCREEN FRONT 200 BLK SPIRIT '14
85045	BTM PNL 200 SPIRIT '14 HD
64815	GRATE COOK PEI SET SPT 200 GBS 14
HXM7635	Flavor Bars Set of 3 Porcelain
WFBSP2-2013	Weber Spirit SS Flavor Bars set of 3
7138	GRILL CVR PREM SPIRIT II 200 AMER
6415-25	drip pan small 25 pack aftermarket

SPIRIT®



GAS GRILL

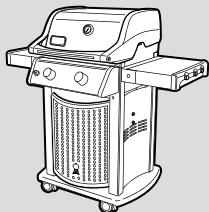
Assembly Guide

ESNA BARBACOA DE GAS Guía de ensamblaje

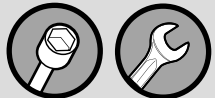
FC GRILL À GAZ Guide pour l'assemblage

210

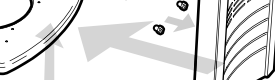
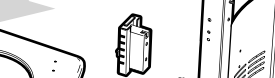
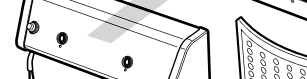
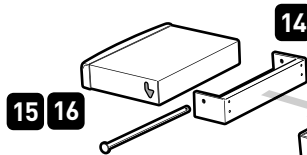
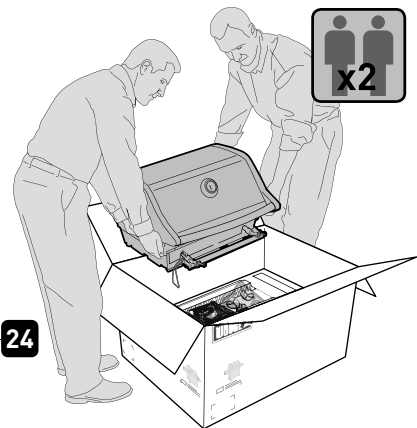
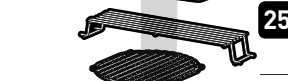
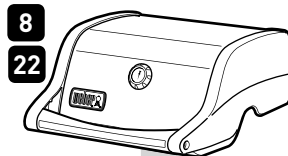
#58209



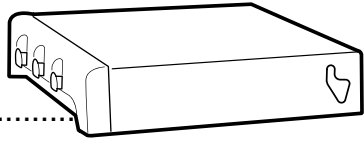
TOOLS NEEDED:
HERRAMIENTAS REQUERIDAS:
OUTILS NECESSAIRES:



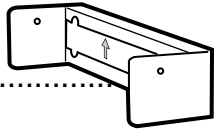
7/16" 7/16", 9/16"



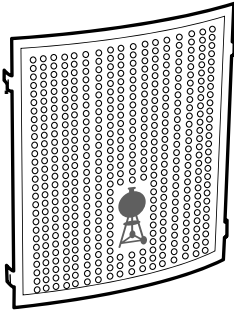
2



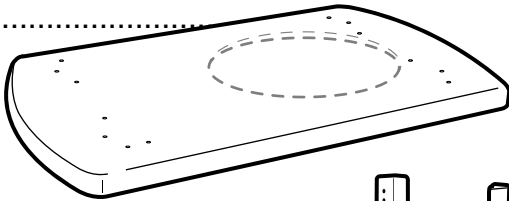
2



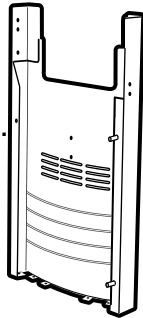
1



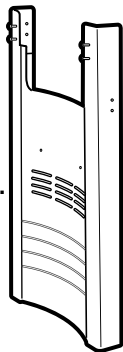
1



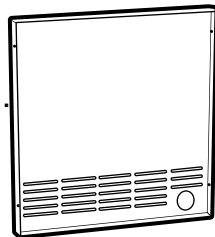
1



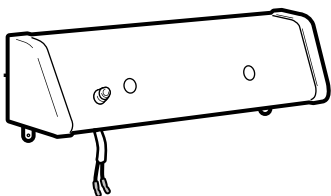
1



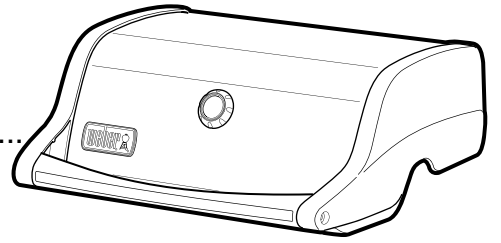
1



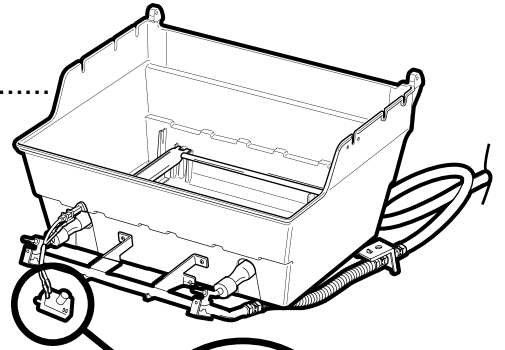
1



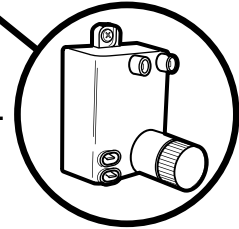
1



1



1



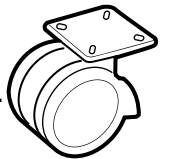
1



1



2



2

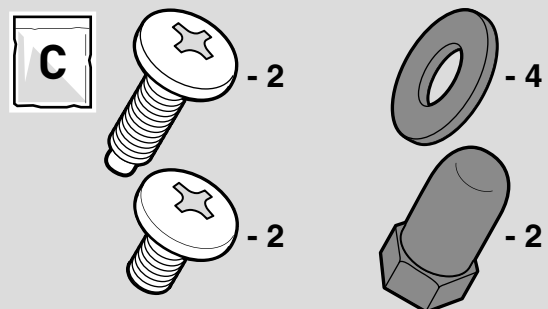
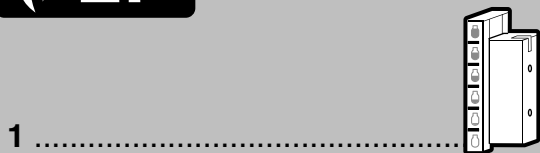
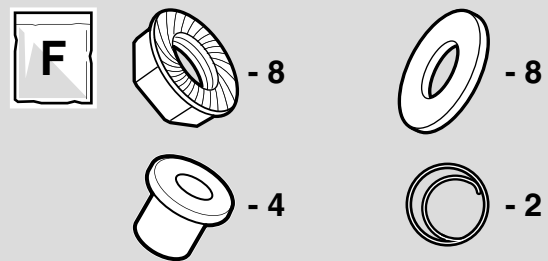
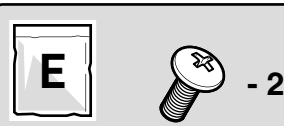
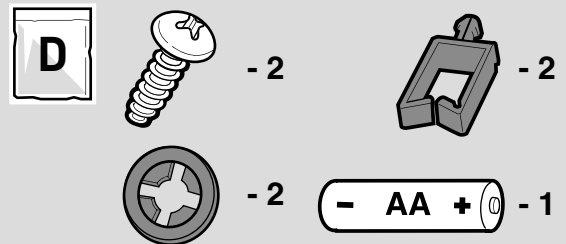
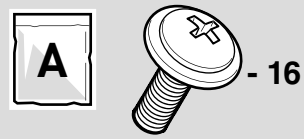
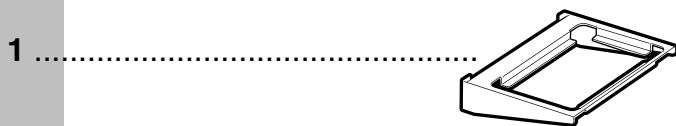
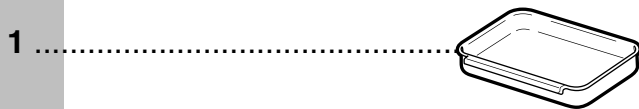
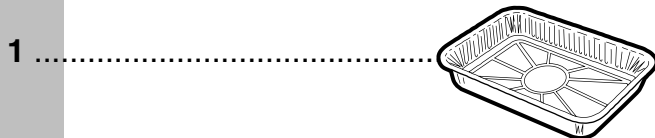
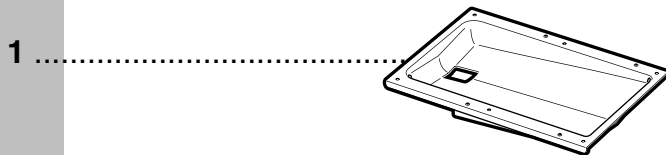
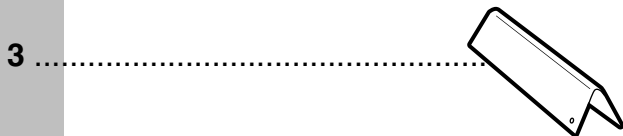
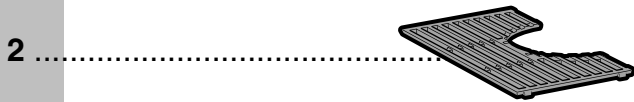
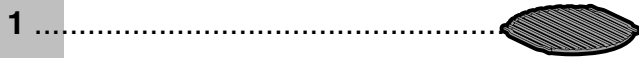
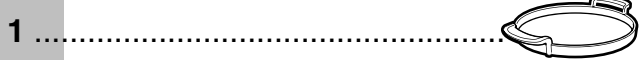


1

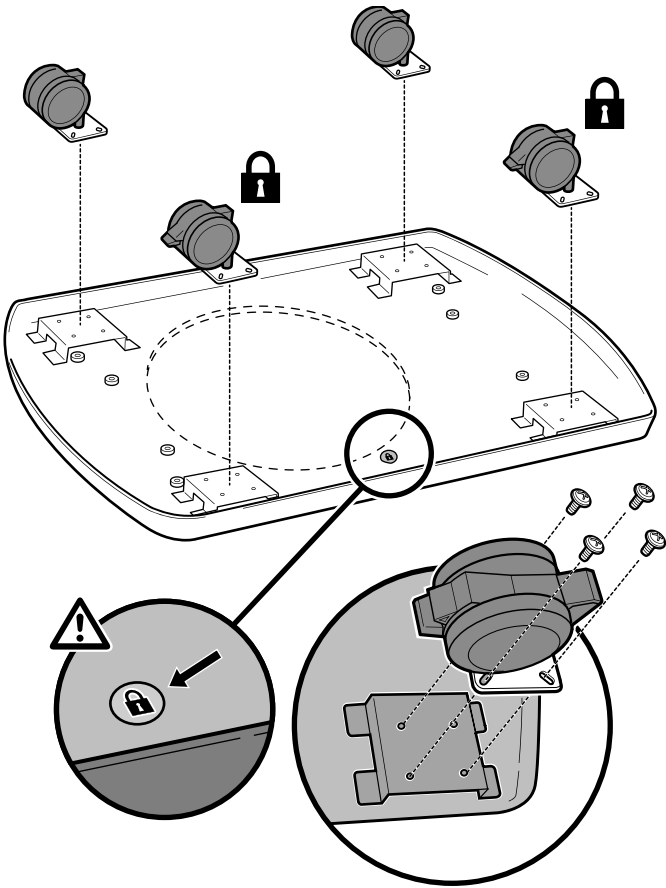


2

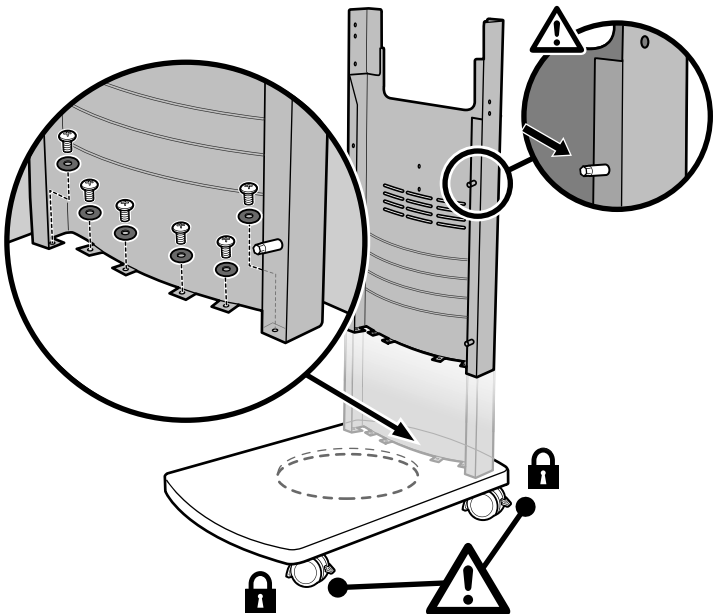




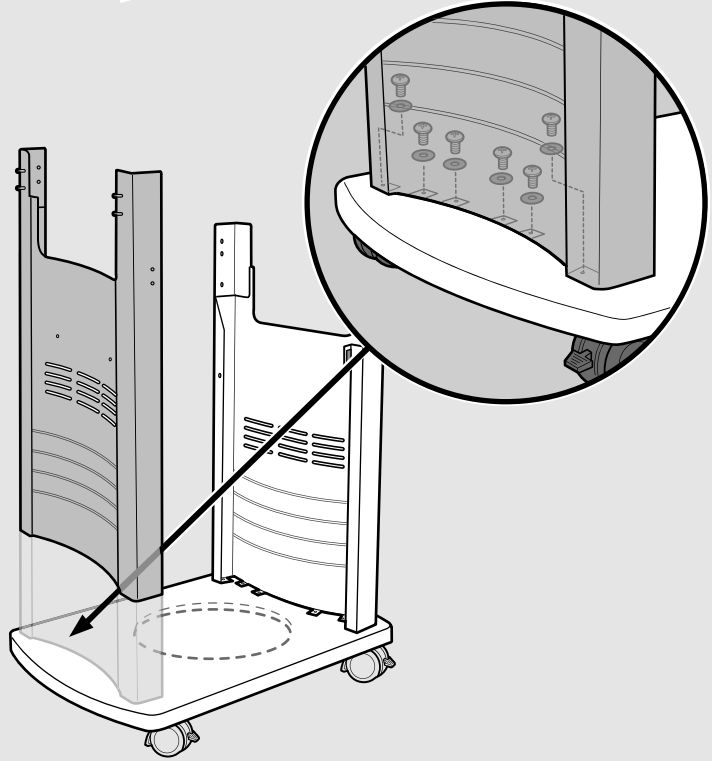
1 **A** - 16 - 2 - 2



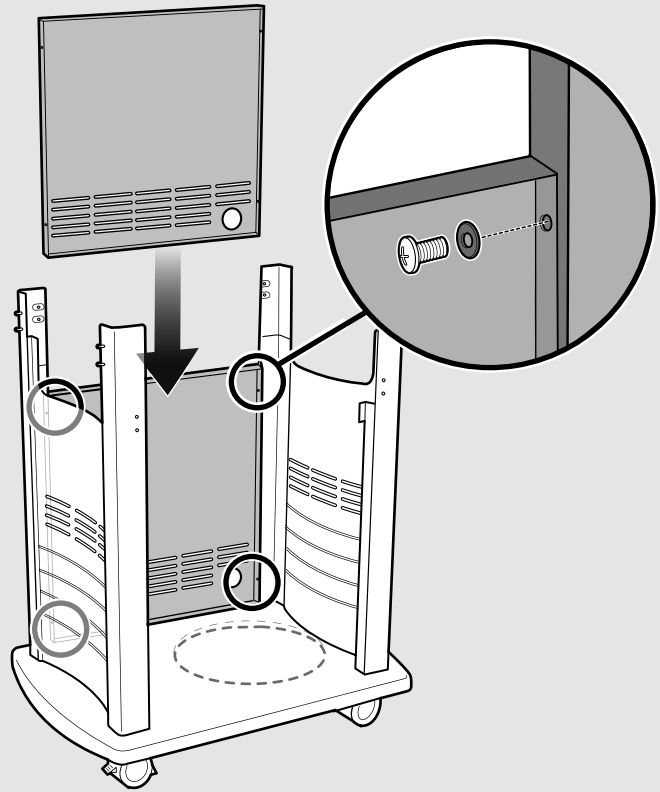
2 **B** - 6 - 6





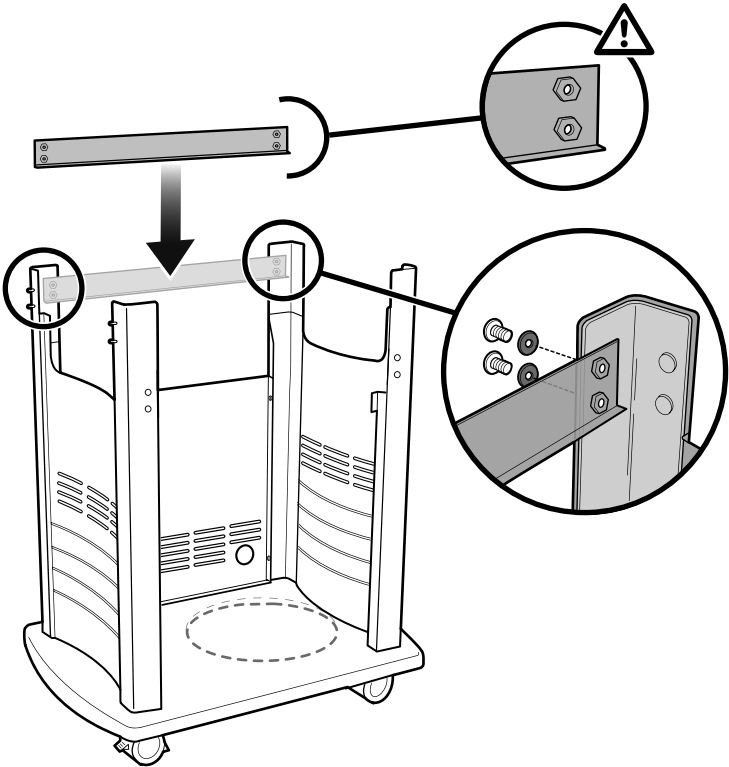
3 **B** - 6 - 6





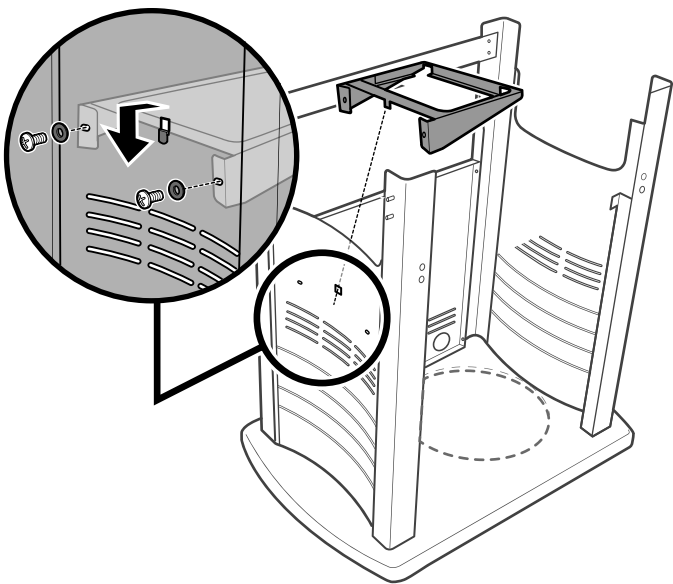
4 **B** - 4 - 4





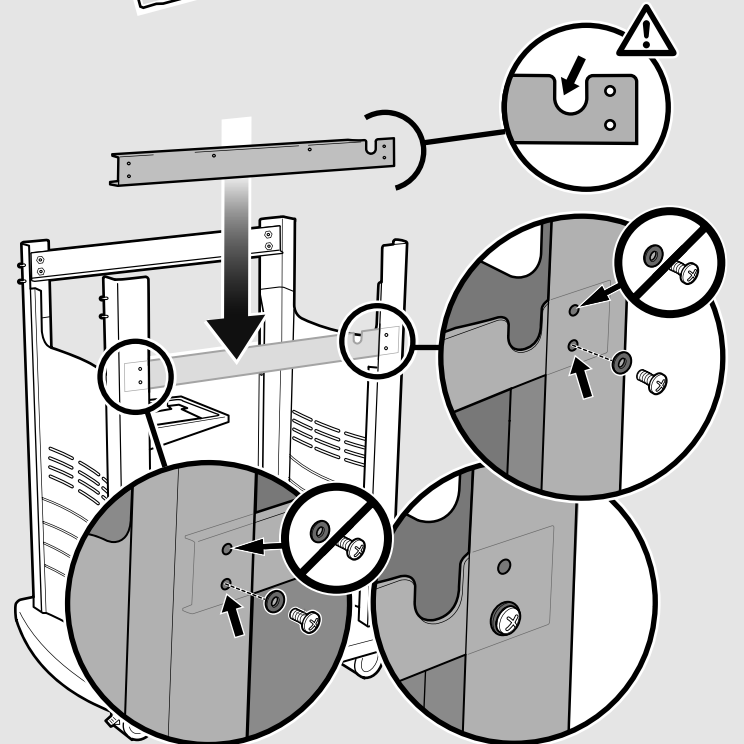
5 **B**  -4  -4



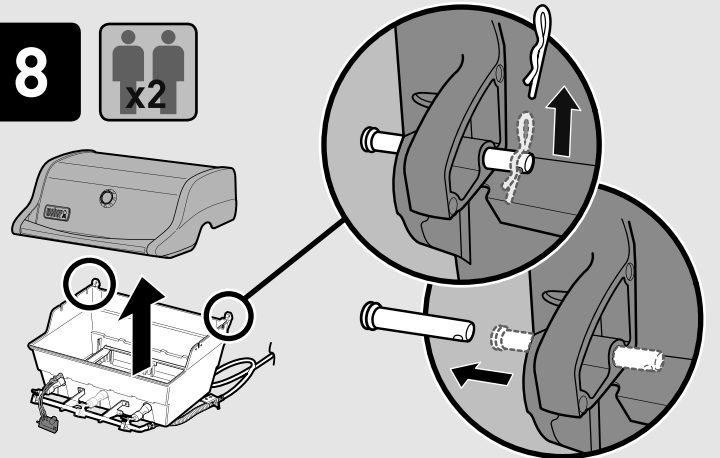
6 **B**  -2  -2



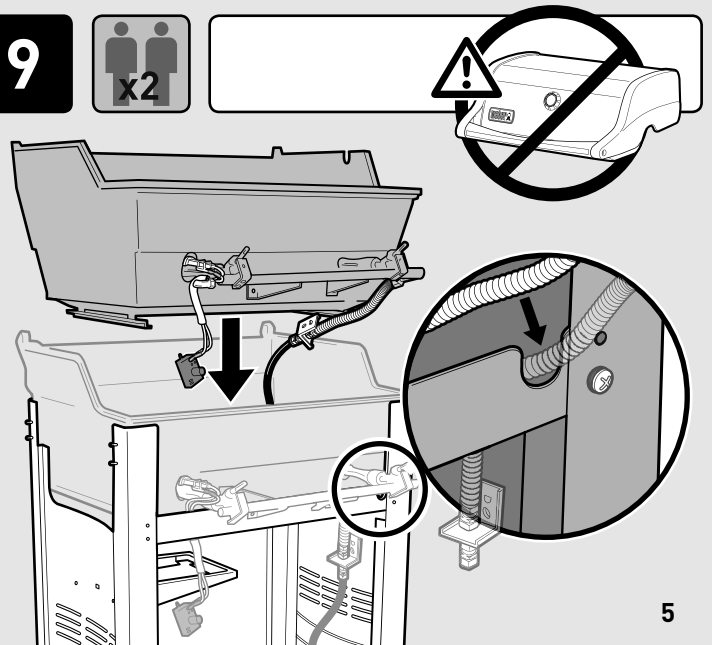
7 **B**  -2  -2



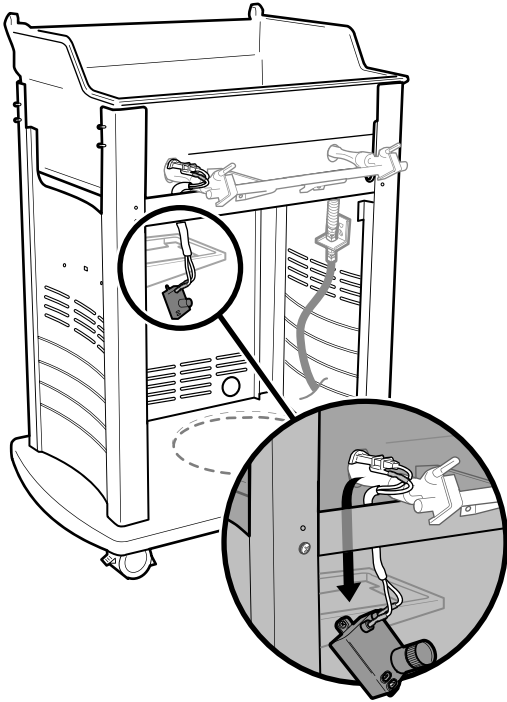
8  x2



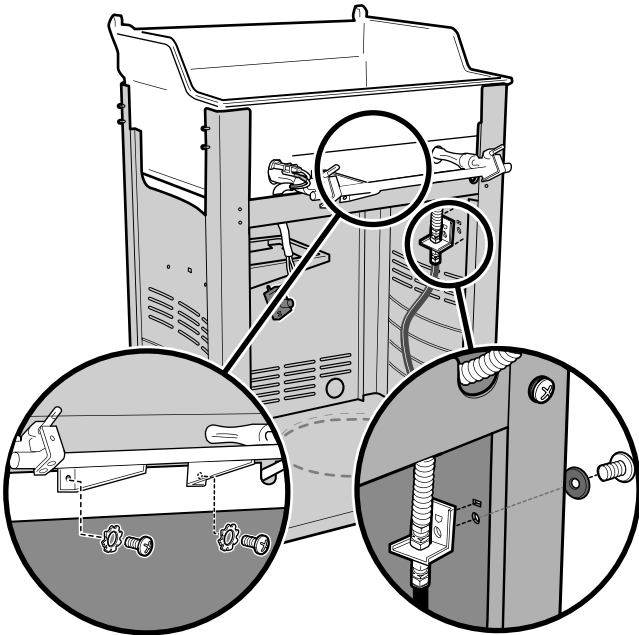
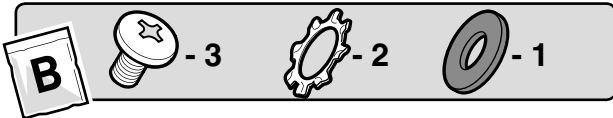
9  x2



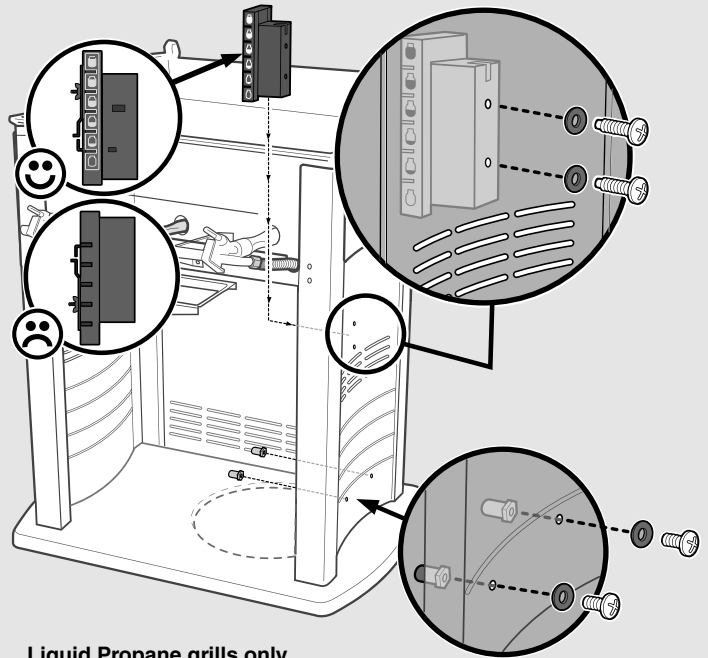
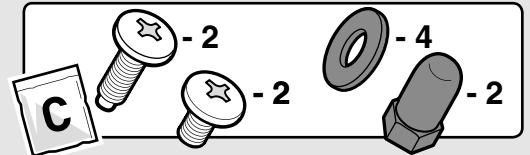
10



11



 LP

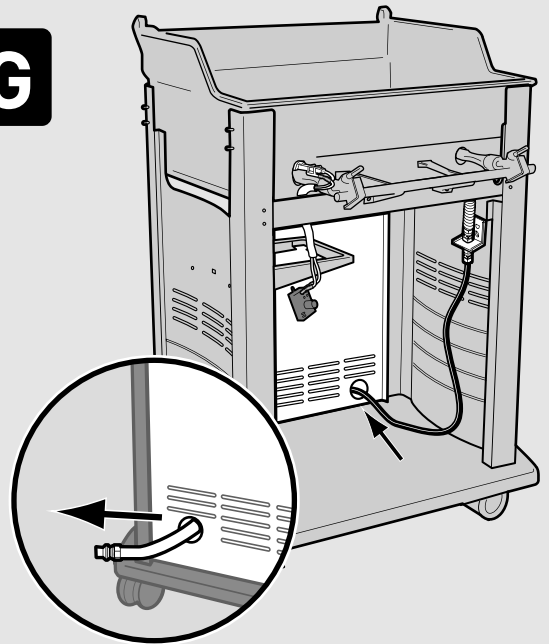


Liquid Propane grills only.
See Owner's Guide for complete gas instructions.

Solamente barbacoas de propano licuado.
Consulte las instrucciones completas respecto al gas en la Guía del Propietario.

Grills à gaz propane liquide uniquement.
Voir le mode d'emploi pour des instructions détaillées concernant le gaz.

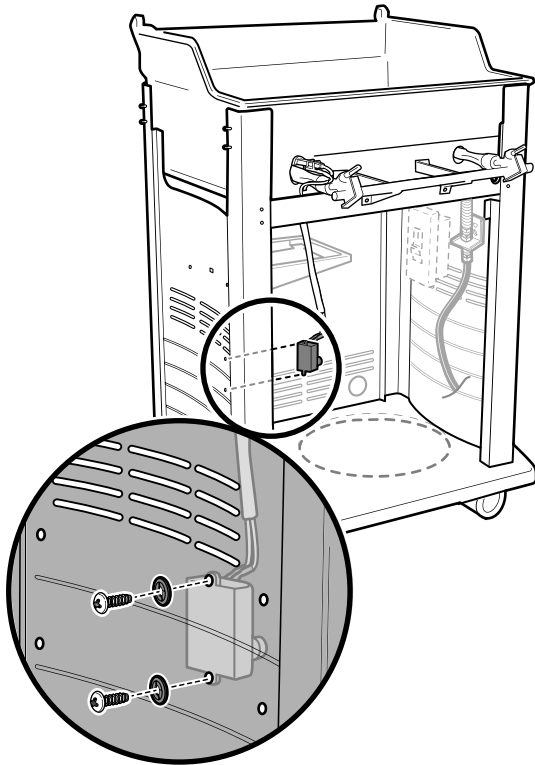
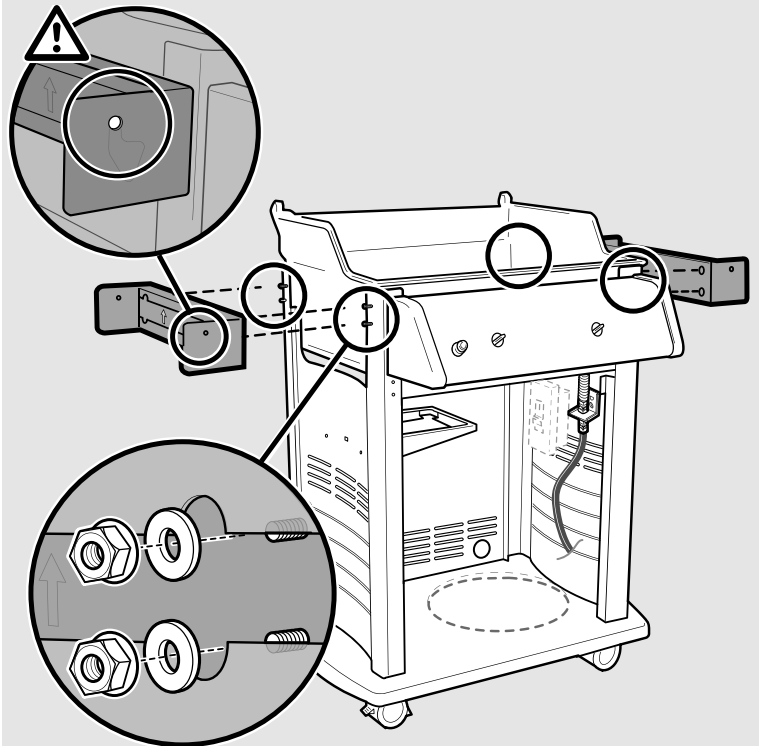
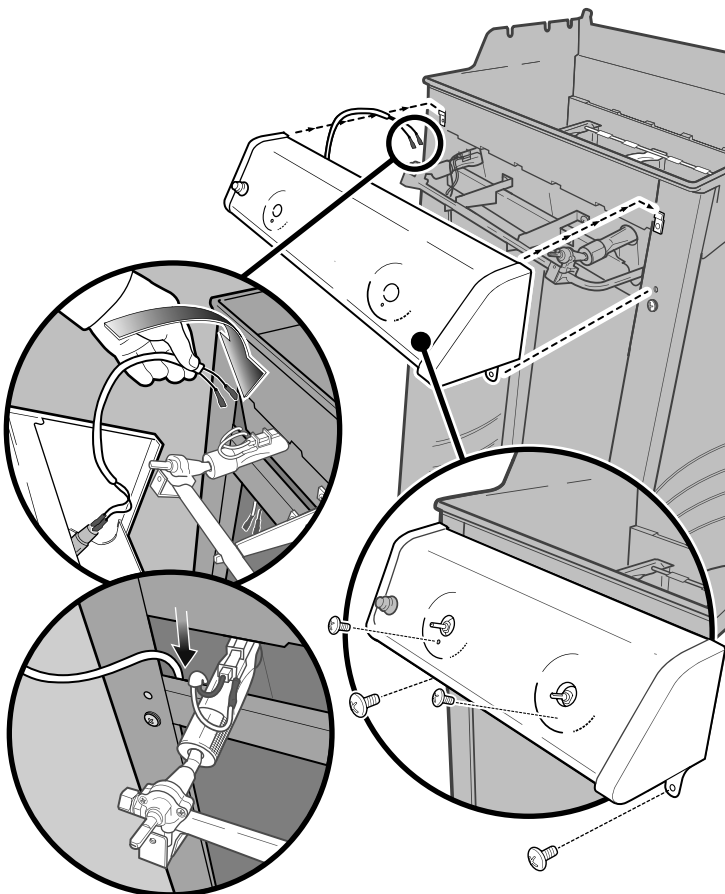
 NG



Natural Gas grills only.
See Owner's Guide for complete gas instructions.

Solamente barbacoas de gas natural.
Consulte las instrucciones completas respecto al gas en la Guía del Propietario.

Grills à gaz naturel uniquement.
Voir le Mode d'emploi pour des instructions complètes concernant le gaz naturel.

12**D****14****F****13****E****B**

Tighten the nuts until snug. Turn only a quarter turn further. **DO NOT OVER TIGHTEN.**

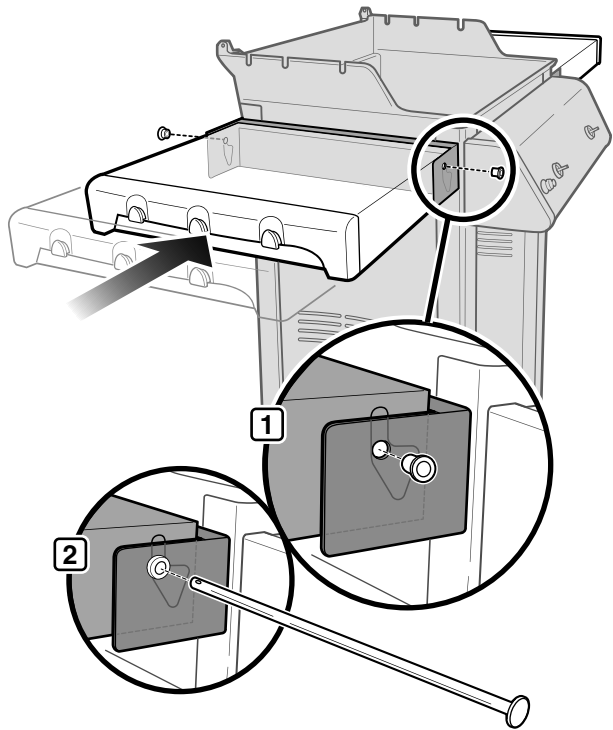
Apriete las tuercas hasta que queden ajustadas. Gire solo un cuarto de vuelta más. **NO APRIETE EN EXCESO.**



Serrez les boulons jusqu'à ce qu'ils soient bien serrés. Ne tournez qu'un quart de tour supplémentaire. **NE PAS TROP SERRER.**

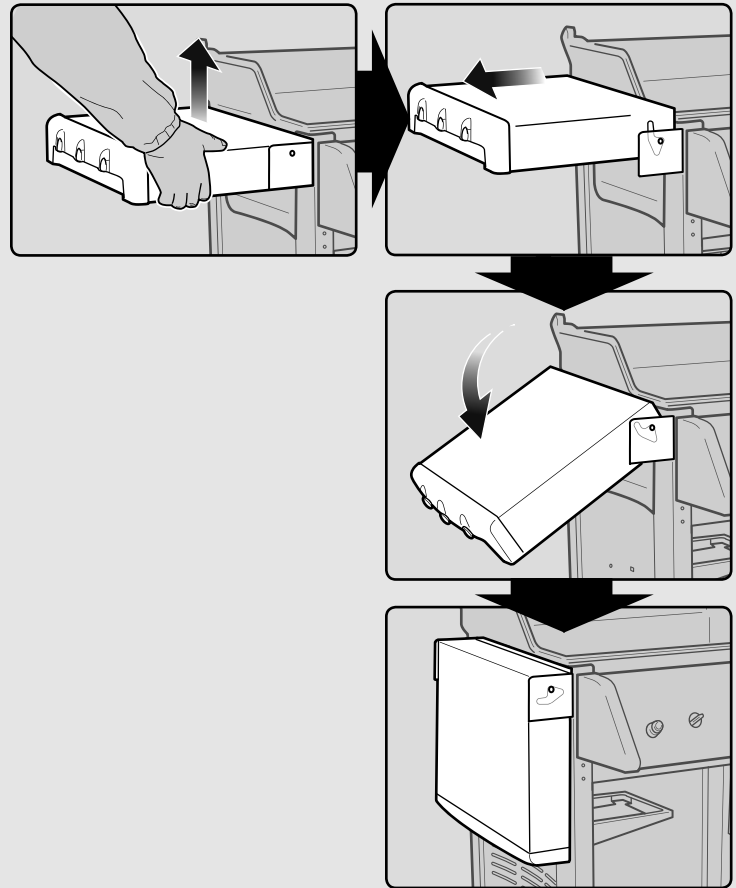
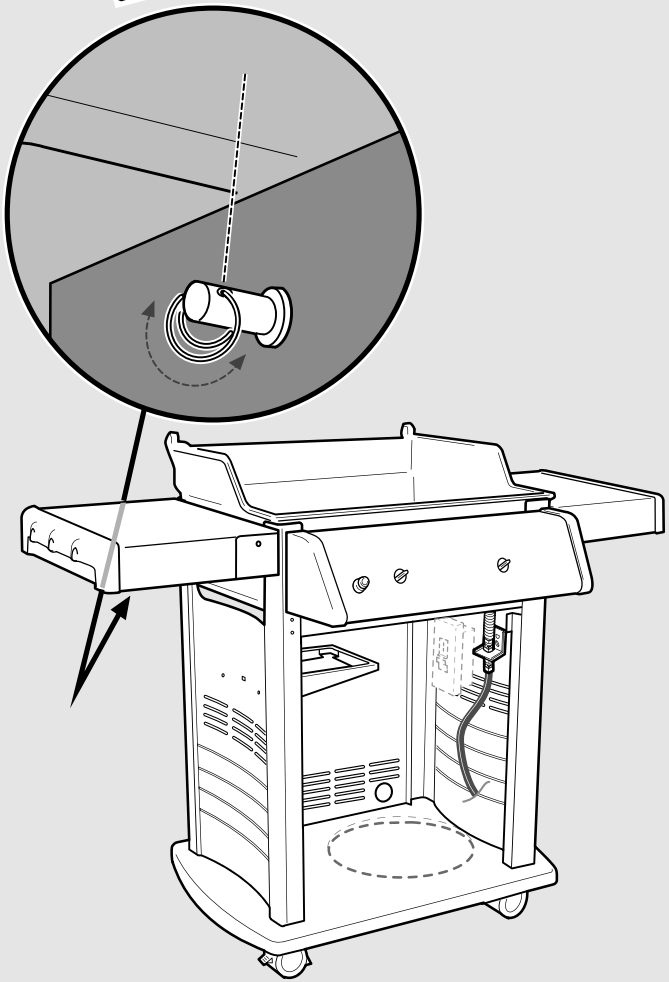
15

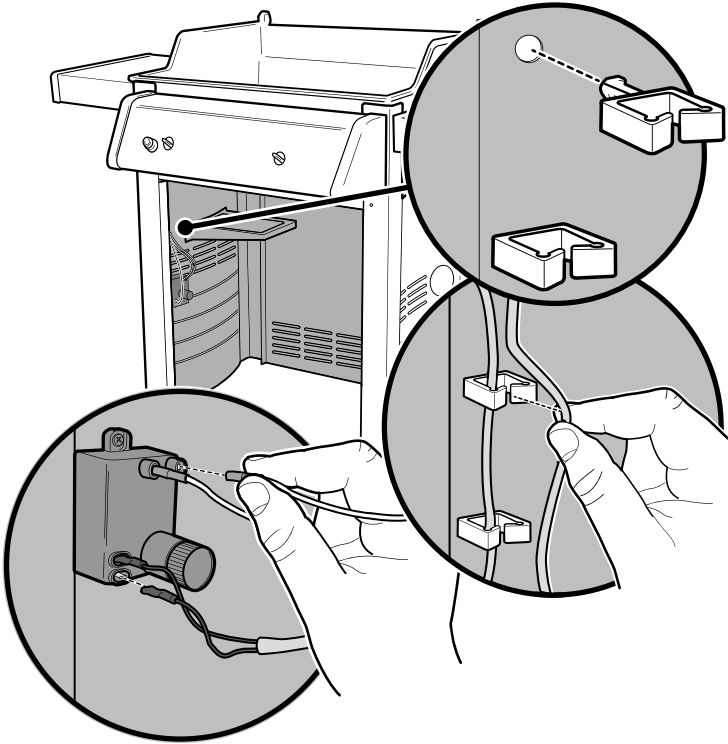
F



16

F

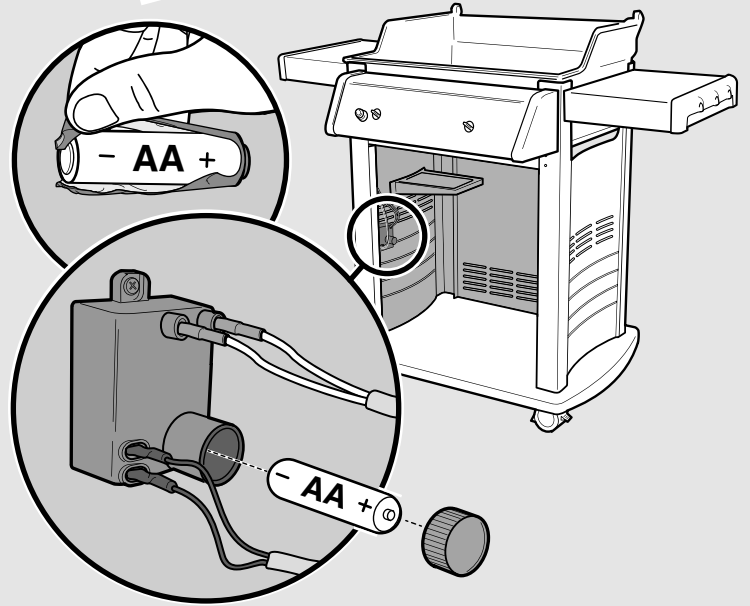
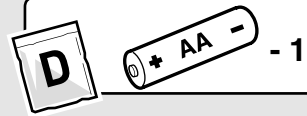
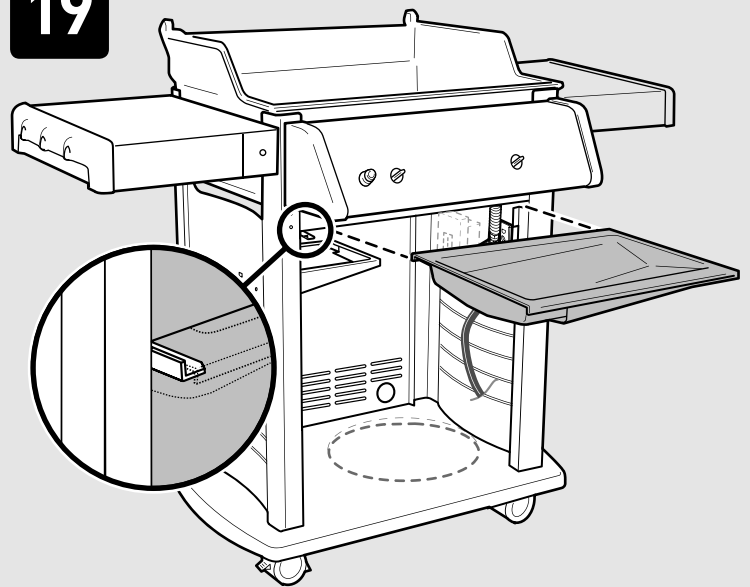
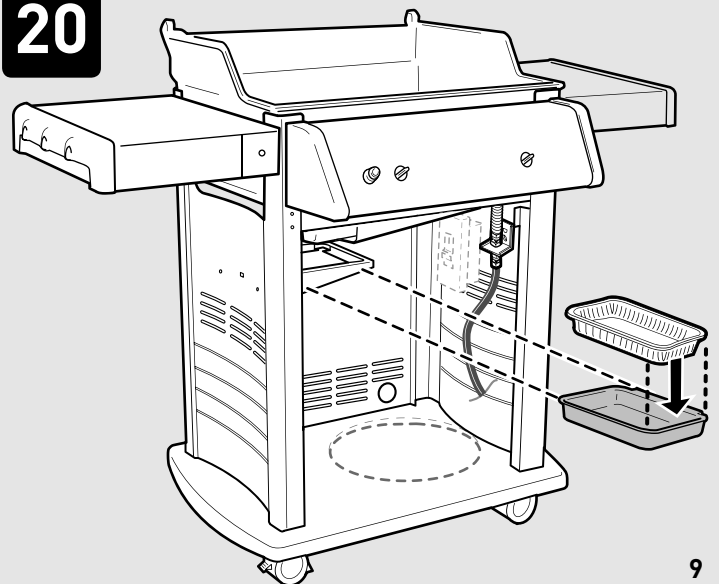


17

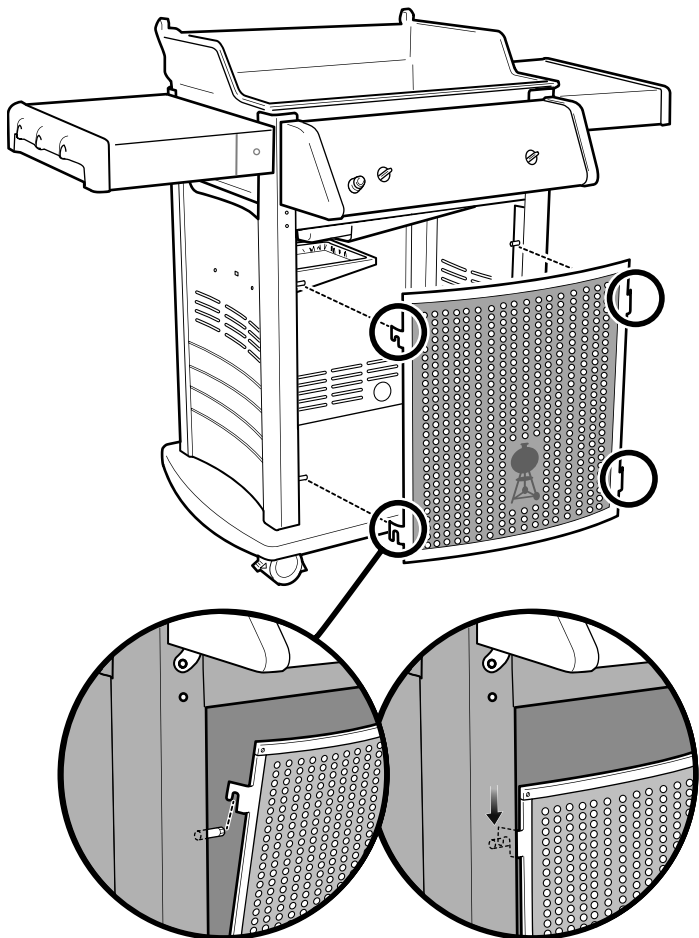
See Owner's Guide for the Igniter Module Wire Guide chart.

Vea el cuadro de la Guía de Cableado del Módulo del Encendedor en la Guía del Propietario.

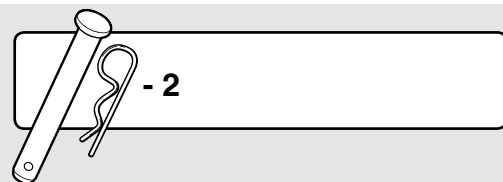
Voir le Mode d'emploi pour le tableau Guide de câble du module de l'allumeur.

18**19****20**

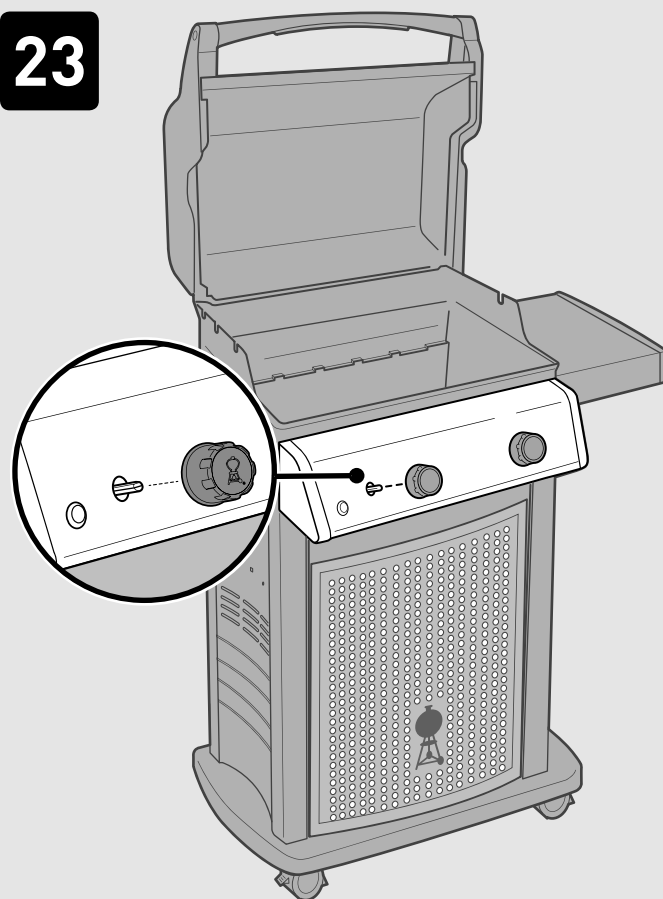
21



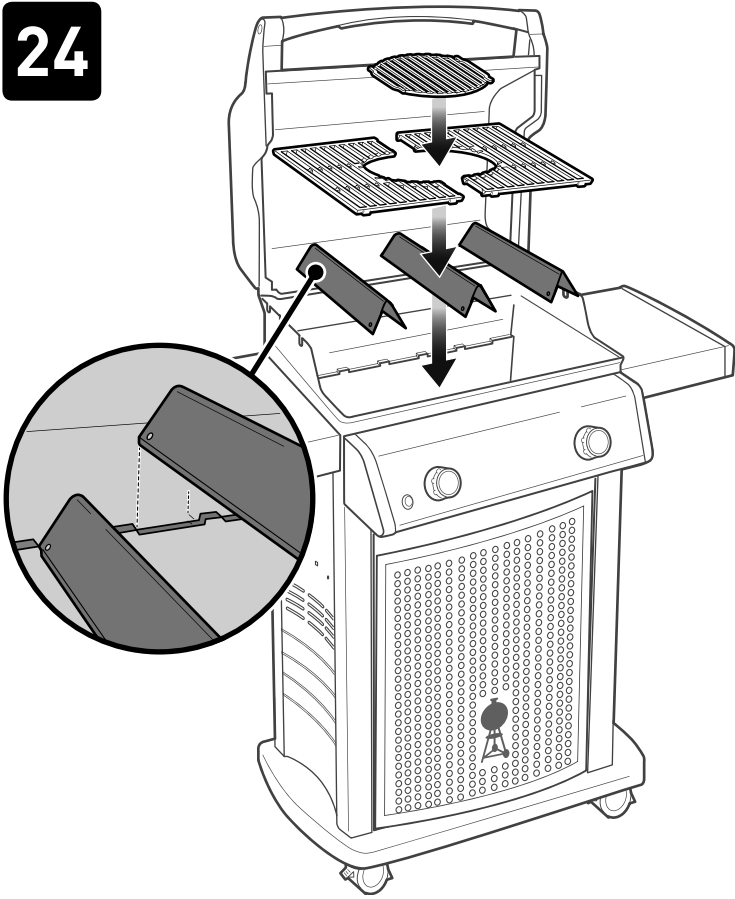
22



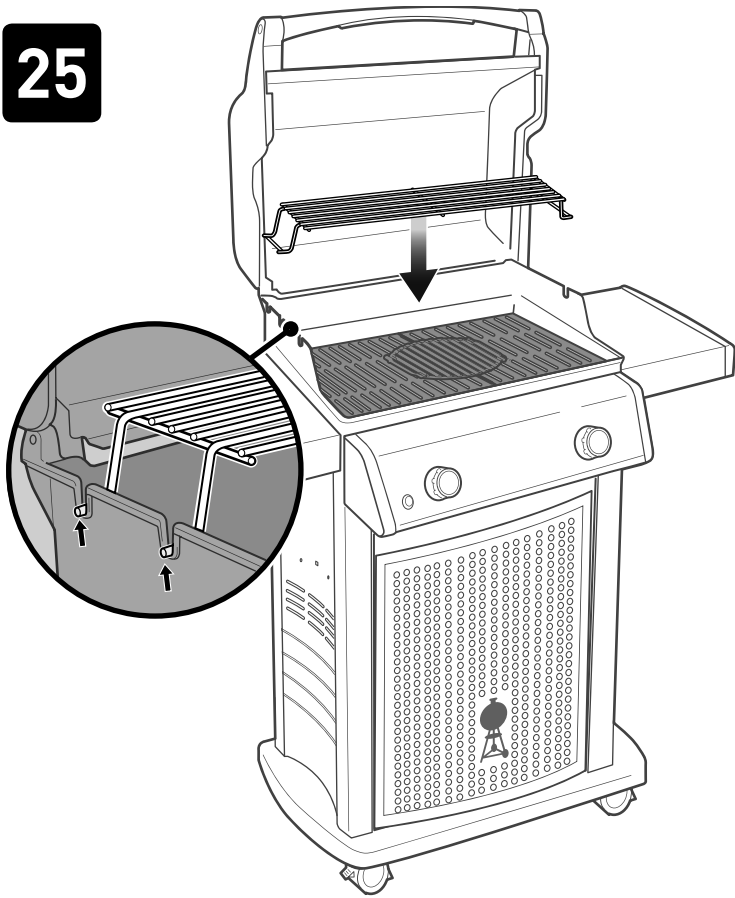
23



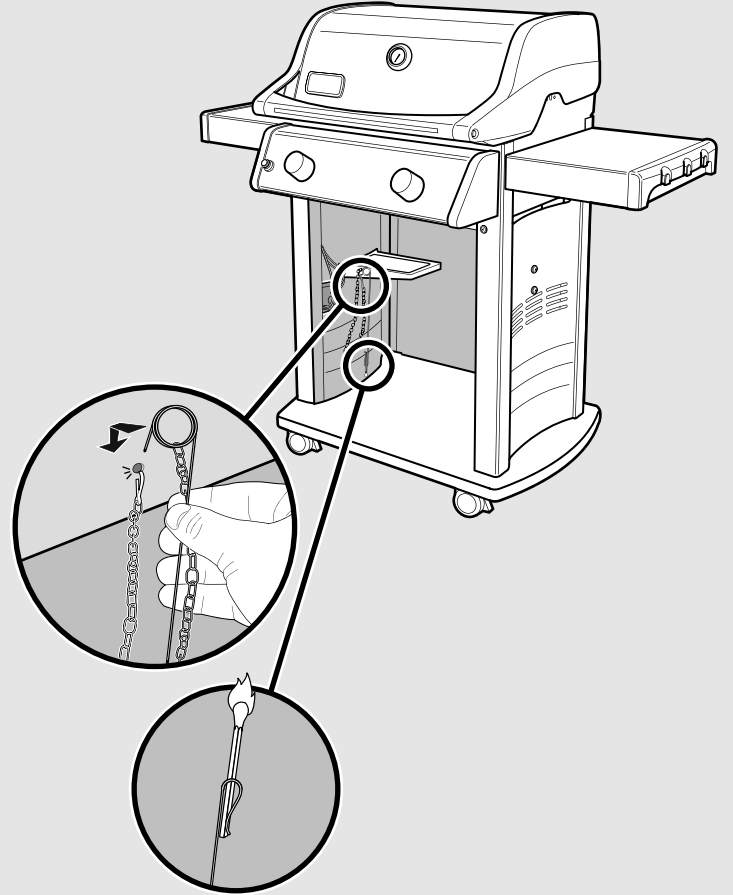
24



25



26





WEBER-STEPHEN PRODUCTS LLC
www.weber.com[®]

© 2013 Designed and engineered by Weber-Stephen Products LLC,
200 East Daniels Road, Palatine, Illinois 60067 U.S.A.