

This Owner's Manual is provided and hosted by [Appliance Factory Parts](http://www.ApplianceFactoryParts.com).



# Broil-Mate 4677-4 Owner's Manual

[Shop genuine replacement parts for Broil-Mate 4677-4](#)



[Find Your Broil-Mate Grill Parts - Select From 682 Models](#)

----- Manual continues below part list -----

## Available Replacement Parts for Broil-Mate 4677-4

<a href="#">03200</a>	spark generator; Bmstr, DCS, Ducane
<a href="#">14625</a>	warming rack universal, 15 x 6.5
<a href="#">10696-160</a>	ORIFICE HOOD R/B 0.160MM NG
<a href="#">18627GC</a>	BURNER, DUAL 50,000 BTU
<a href="#">10225-T627</a>	GRID SWING BASKET IMPERIAL BLACK
<a href="#">10225-T528</a>	GRID FLAT WARM RACK T50 PORC +
<a href="#">18488</a>	FLAV-R-WAVE - 50,000 BTU STAINLESS
<a href="#">S15500</a>	IGNITOR ELECTRODE ASSY H B H BURNER
<a href="#">18013</a>	LARGE PROBE HEAT INDICATOR
<a href="#">10240-15</a>	HINGE PIN SIDE SHELF DROP DOWN
<a href="#">S21237</a>	HINGE PIN SPACER
<a href="#">10892-15</a>	CASTER 2 1/2 INCH WHEEL KNURLED
<a href="#">S21124</a>	SCREW PHCP #8 X 12 +
<a href="#">PB20-60A</a>	S/B LID HANDLE WAGON ENCLOSER+ W/SCREWS
<a href="#">10390-E10</a>	BURNER SIDE 10BTU W/ELEC #8 +
<a href="#">10342-T14</a>	WIRE ELECTRODE S/B FLAT/ROUND+
<a href="#">10239-7</a>	HANDLE GASKET TRIANGULAR 1/8
<a href="#">Y-12220</a>	S/B BUSHING SB 1.375 16 HEY
<a href="#">50416</a>	SMALL DRIP PAN - 10 PACK
<a href="#">S14019</a>	NAMEPLATE BROILMATE LG FLSH +
<a href="#">10184-E461</a>	SHELF SUPPORT LHS BLK
<a href="#">S11426</a>	BOTTOM CASTING R/B + 2500/2700/400/700
<a href="#">S11250</a>	CASTING TOP +
<a href="#">02342</a>	control knob; universal
<a href="#">10342-244</a>	IGNITOR ELECTRONIC +
<a href="#">11225GC</a>	CI COOKING GRID SET OF 2
<a href="#">10711-E561</a>	SHELF RHS EZ BILT W/O BRACKET
<a href="#">10194-E501</a>	CONTROL COVER W/HS LARGE BLACK
<a href="#">10225-T09</a>	GRID PORCELAIN ROUND S/B
<a href="#">10184-e78A</a>	END CAP DOOR TOP LHS W/MAGNET

<a href="#">10184-e76</a>	END CAP DOOR BOTTOM LEFT A
<a href="#">10184-e79a</a>	END CAP DOOR TOP RHS W/MAGNET
<a href="#">10184-E401</a>	SUPPORT CASTING L BLK
<a href="#">10110-94</a>	TUBE-REAR BRNR FIT ASSY
<a href="#">10696-109</a>	ORIFICE HOOD R/B 0.109MM LP
<a href="#">10442-T63</a>	CONTROL ASSEMBLY 50M/10M/15M 4V NG
<a href="#">10184-R80</a>	RADIATION SHIELD RAW
<a href="#">10184-E62</a>	SHELF SUPPORT BRACKET LHS +
<a href="#">10184-E63</a>	SHELF SUPPORT BRACKET RHS +
<a href="#">10958-E761</a>	PANEL SIDE BLACK +
<a href="#">10958-E901</a>	PANEL REAR BLACK 21 3/4 INCH NEW 2006
<a href="#">10184-E77</a>	END CAP DOOR BOTTOM RIGHT A
<a href="#">S13005A</a>	BURNER TUBULAR W/IGNITION
<a href="#">10711-E562</a>	SHELF LEFT EZ-BILT W/O BRACKET
<a href="#">10696-127</a>	R/B ORIFICE LP
<a href="#">10696-185</a>	R/B ORIFICE NG 1.85MM
<a href="#">11228</a>	CI COOKING GRIDS SET OF 2
<a href="#">10909-T50</a>	CASTING BOTTOM 52M 2002 +
<a href="#">10473-T50</a>	CASTING TOP 52M
<a href="#">Y-11797</a>	BOLT SWING BASKET #D
<a href="#">10711-E563</a>	SHELF SB EZ-BILT W/O BRACKET
<a href="#">10958-e79lw</a>	DOOR SMALL LHS CABINET ASSY +
<a href="#">10472-k40</a>	KNOB ROTARY IGNITOR #B
<a href="#">10393-e401</a>	SIDE BURNER COVER SIGNET
<a href="#">10194-E545</a>	CONTROL COVER 2V LRG BLK CHRM
<a href="#">S12033</a>	GRID PORCELAIN T50 HEAVY 1 OF 3
<a href="#">CG21SS</a>	Cooking Grid Stainlss st Warm Morning G4
<a href="#">80012</a>	regulator and hose READ ADD. INFO
<a href="#">10342-245</a>	IGNITOR ELECTRONIC DUAL +
<a href="#">S12206</a>	WARMING RACK 2500 1998 +
<a href="#">10184-E991</a>	DOOR CATCH BRACKET
<a href="#">11151</a>	SS COOKING GRID - SOVEREIGN
<a href="#">10111-K45</a>	HOSE 3/8 INCH ASSEMBLY NG 10 FOOT +

[Y-11990](#)

NUT HEX BRASS 3/8 27 RB LINE

# broil-mate™

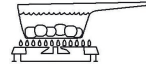
## REDDI-BILT BARBECUES

### ASSEMBLY MANUAL & PARTS LIST

### MANUEL DE MONTAGE & LISTE DE PIÈCES

broil-mate™

4657-4  
4657-7



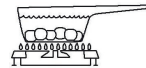
broil-mate™

4667-4  
4667-7



broil-mate™

4674-4  
4674-7  
4677-4  
4677-7



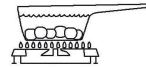
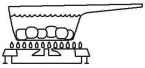
broil-mate™

4684-4  
4684-7



broil-mate™

4685-4  
4685-7



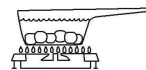
broil-mate™

4687-4  
4687-7



broil-mate™

8674-4  
8674-7  
8675-4  
8675-7



broil-mate™

8684-4  
8684-7



RETAIN FOR FUTURE REFERENCE

VEUILLEZ CONSERVER POUR REFERENCE ULTERIEURE

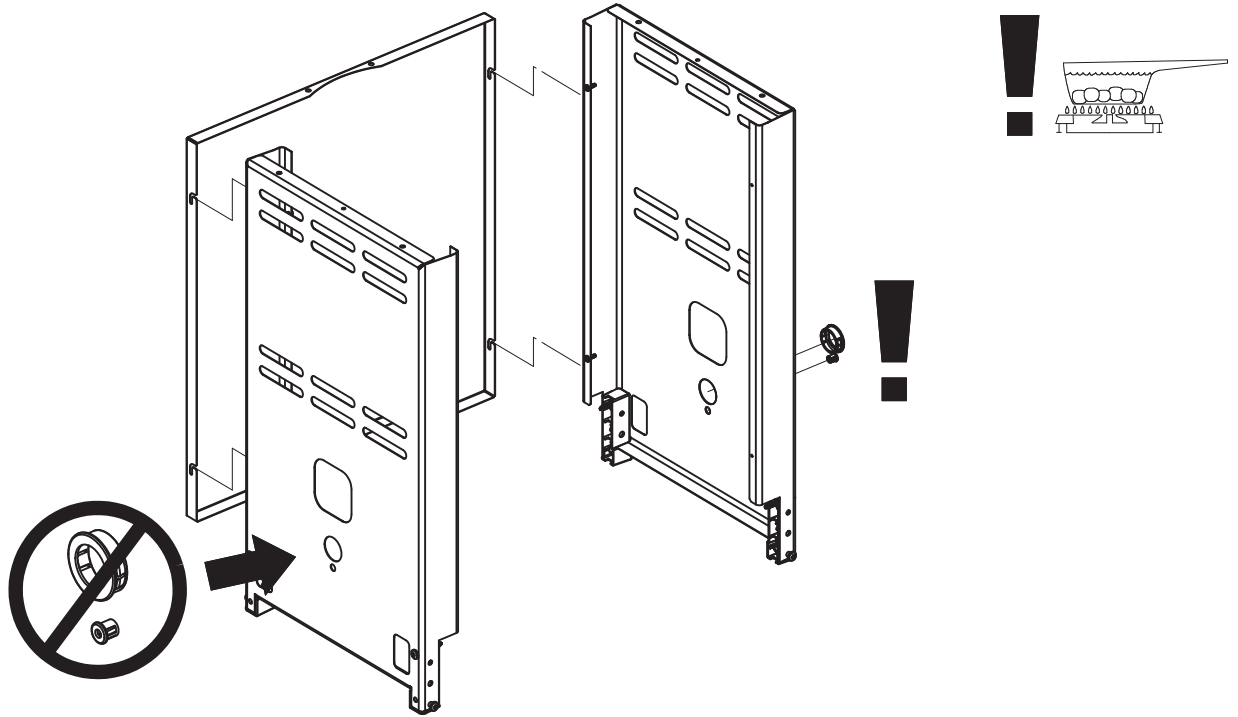
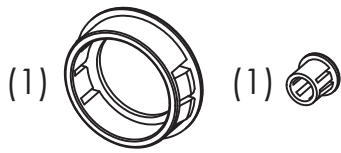
1-800-265-2150

info@omcbbq.com

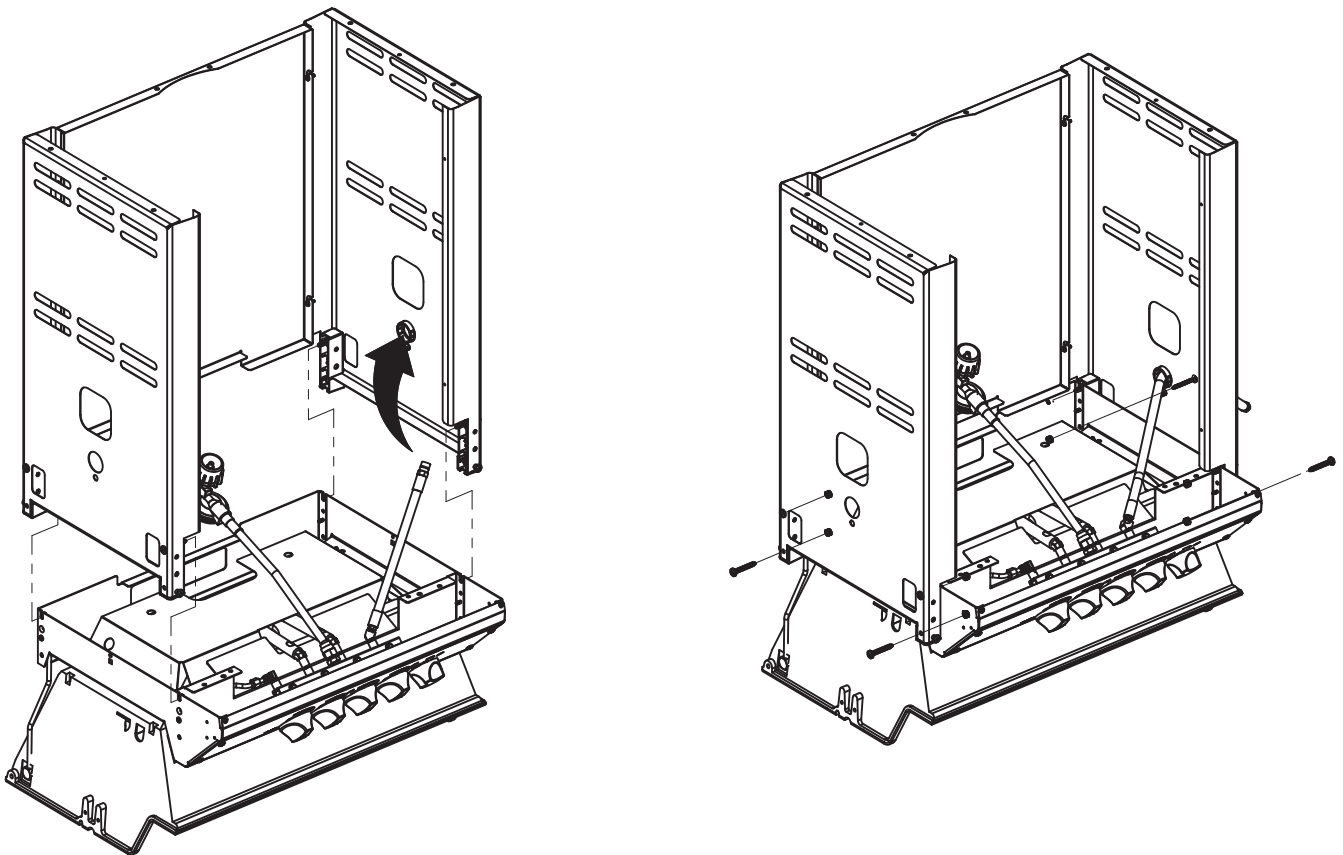
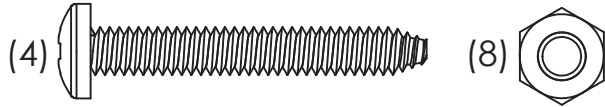
*Onward*  
MANUFACTURING COMPANY  
SINCE 1906  
585 KUMPF DRIVE LIMITED  
WATERLOO, ONTARIO, CANADA  
N2V 1K3

S18678 REV C 10/05

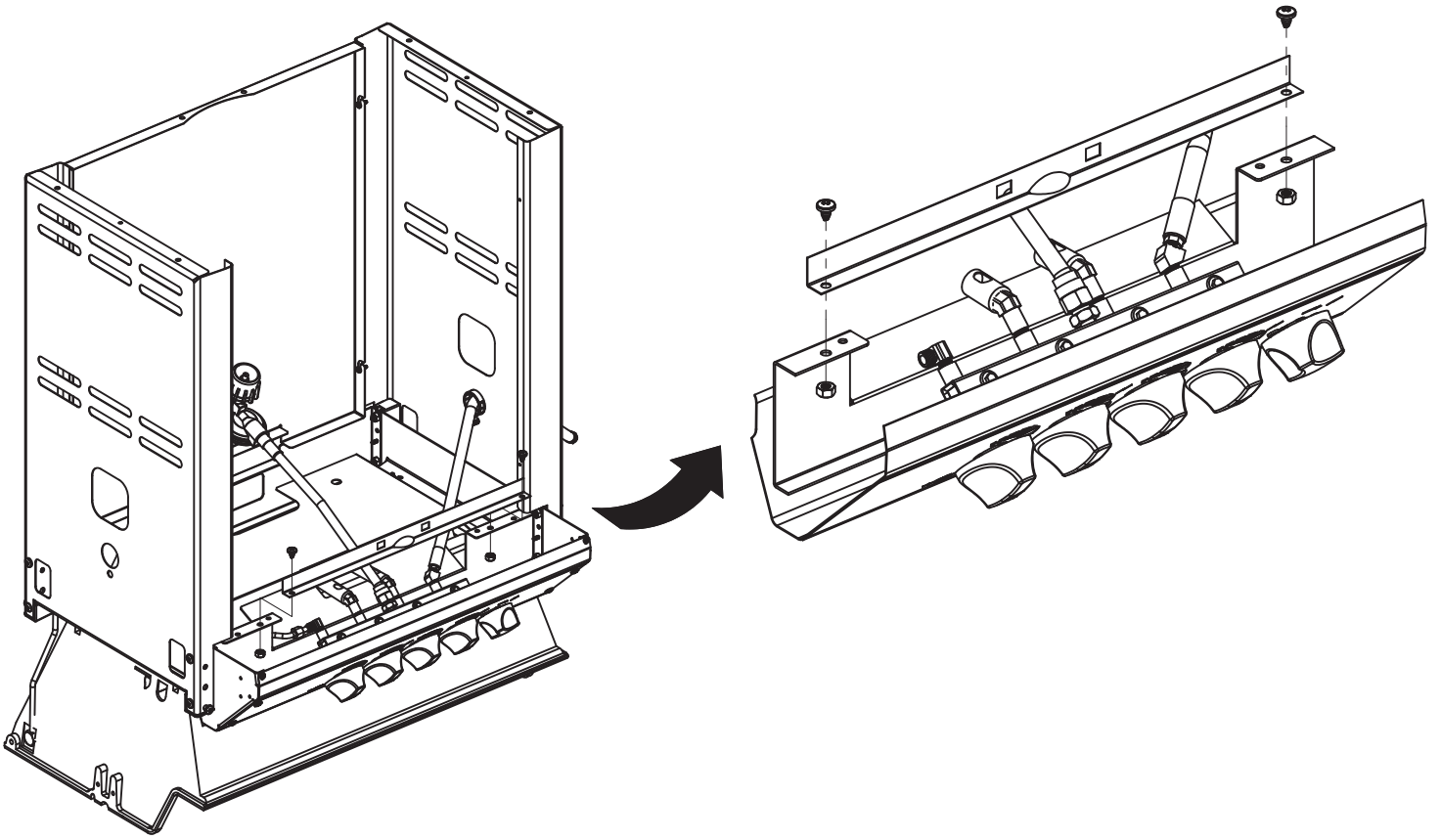
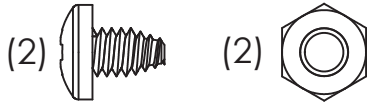
1



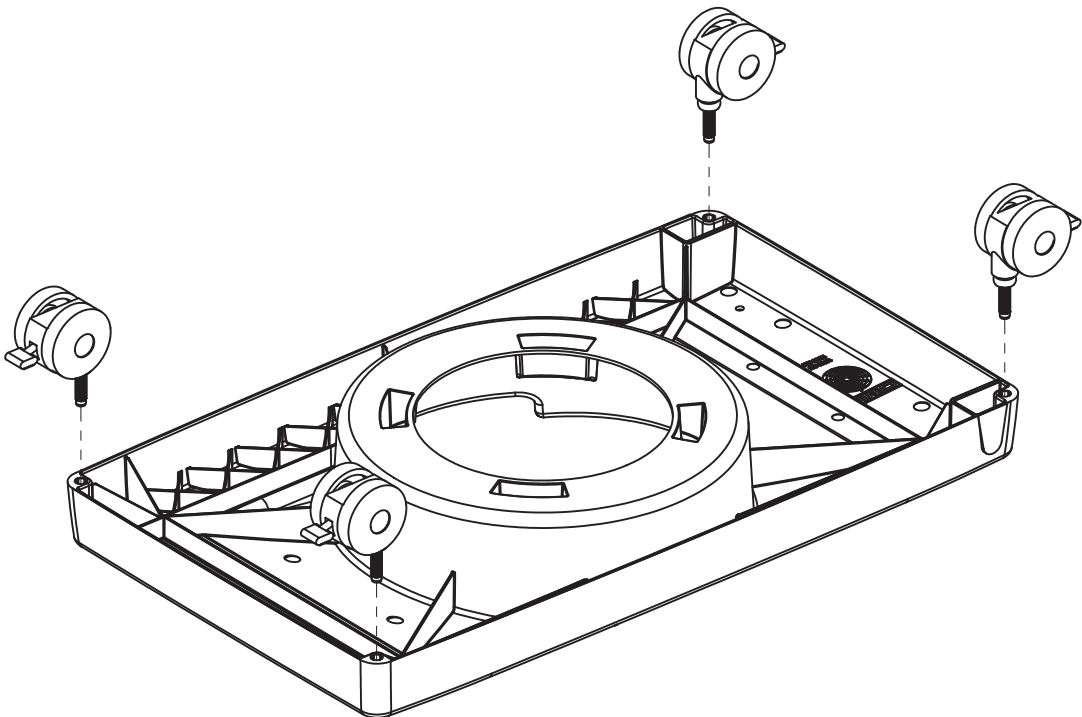
2



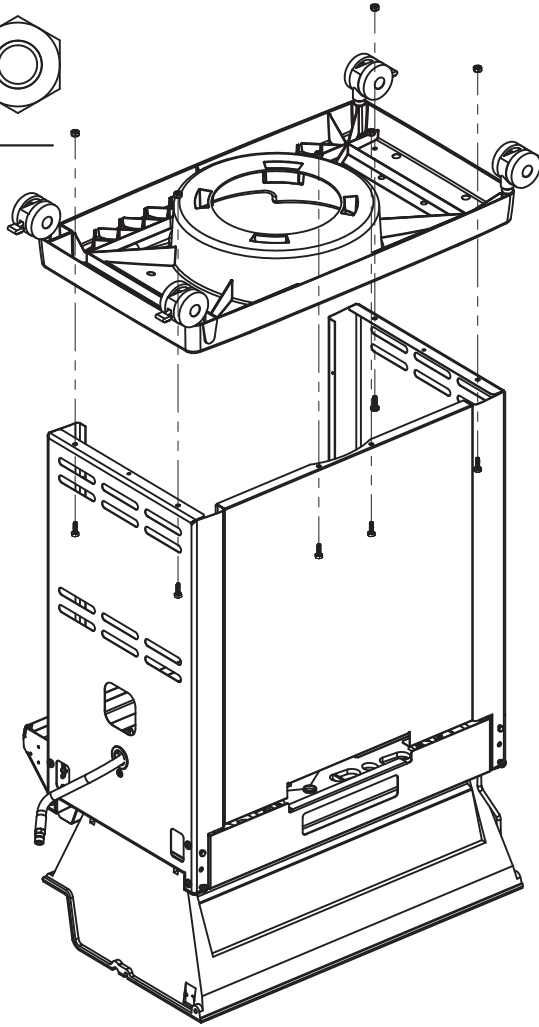
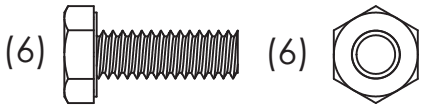
**3**



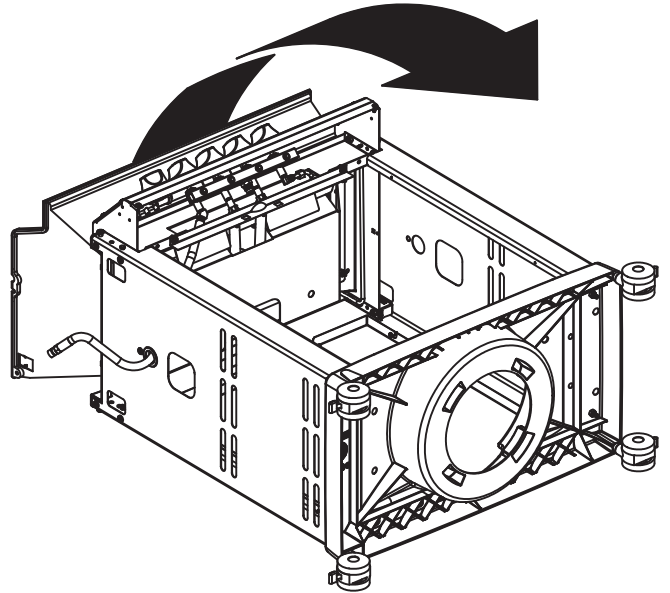
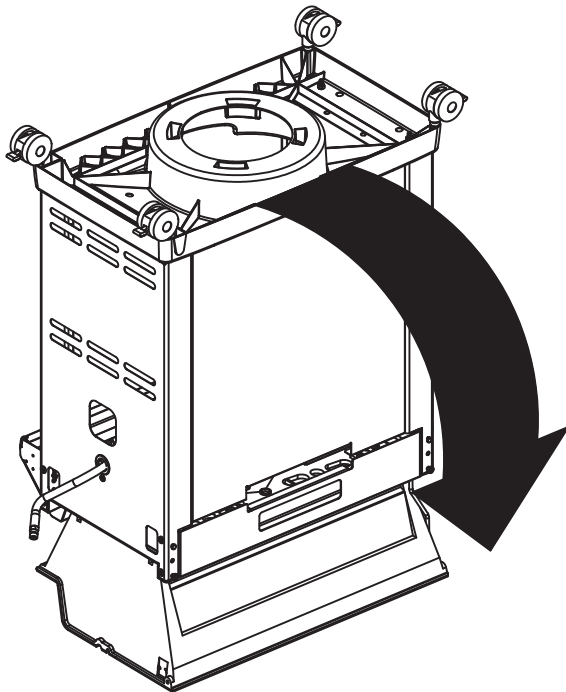
**4**



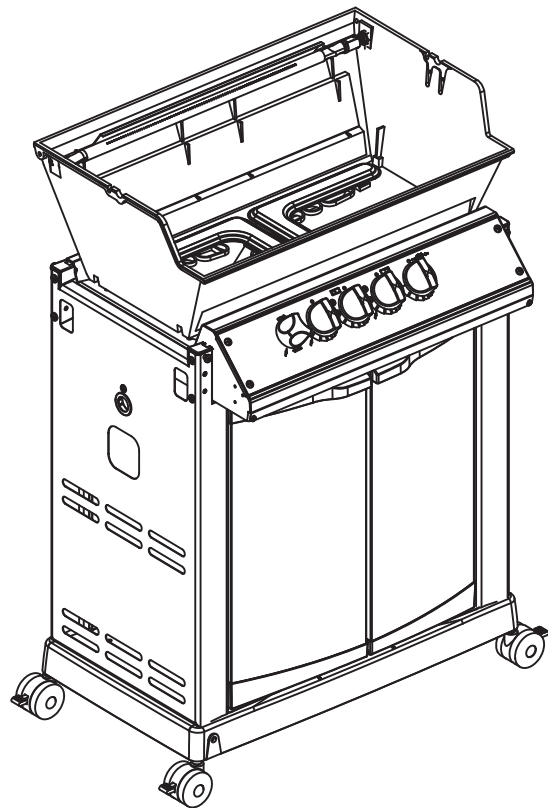
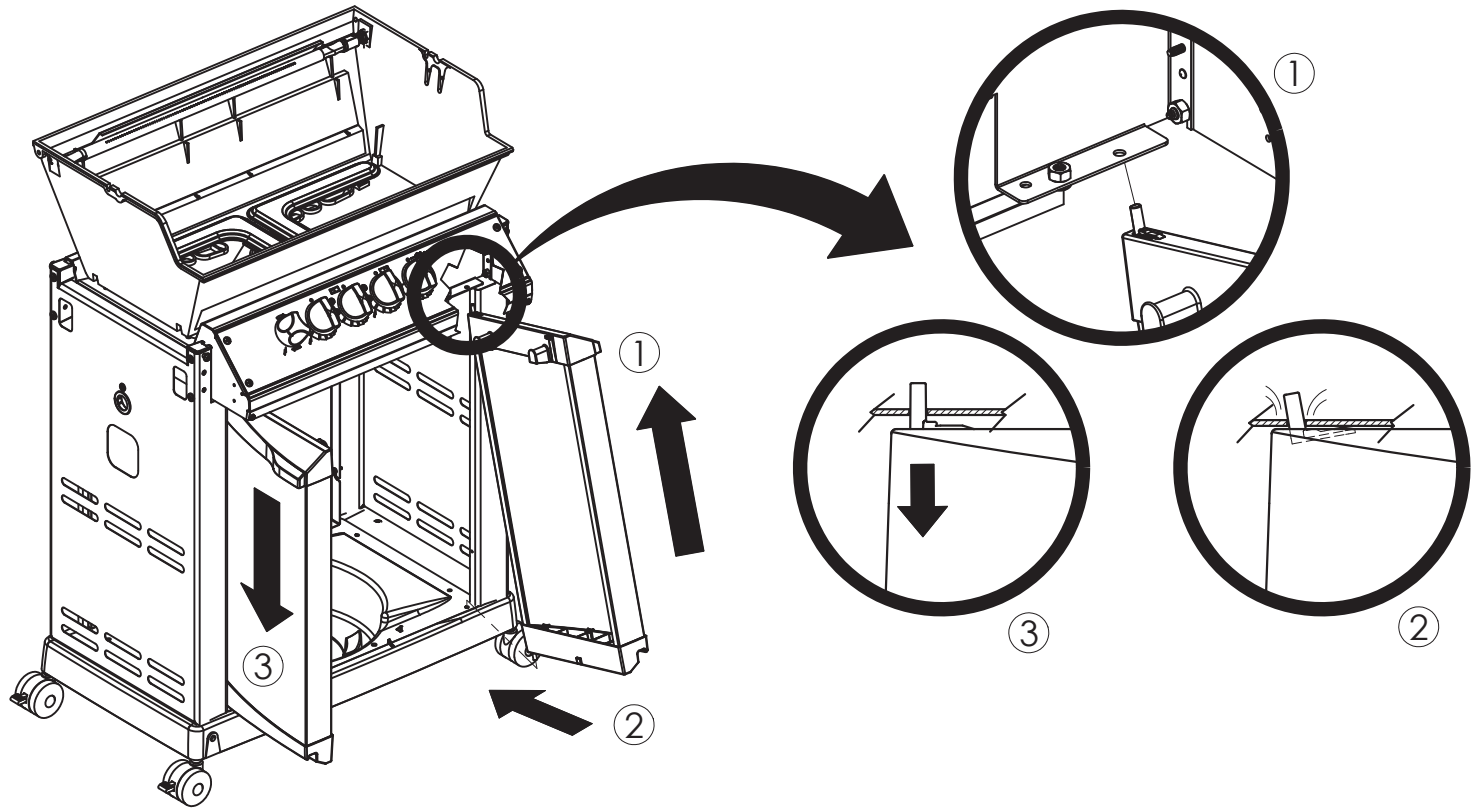
5



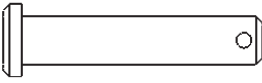
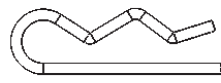
6

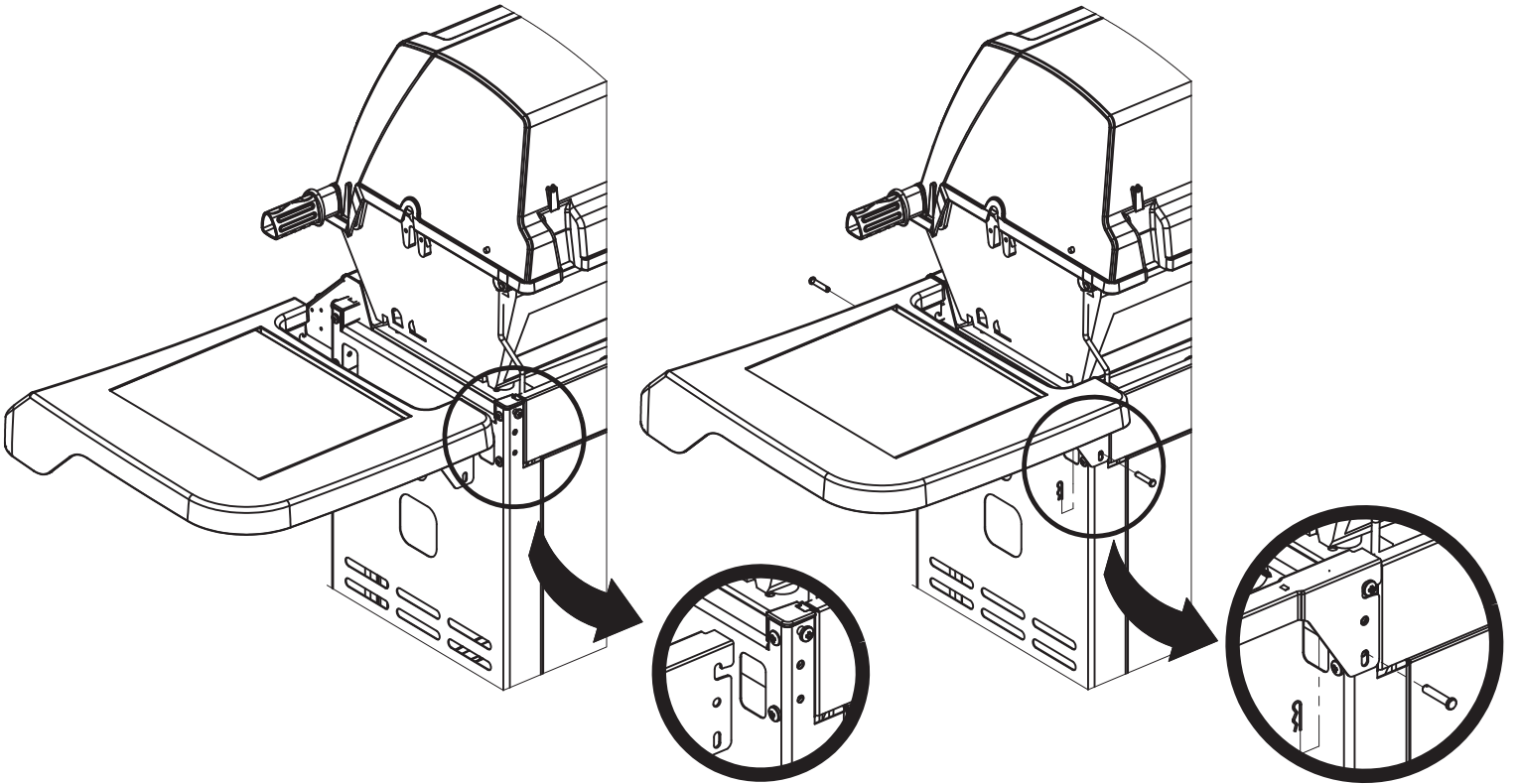


7




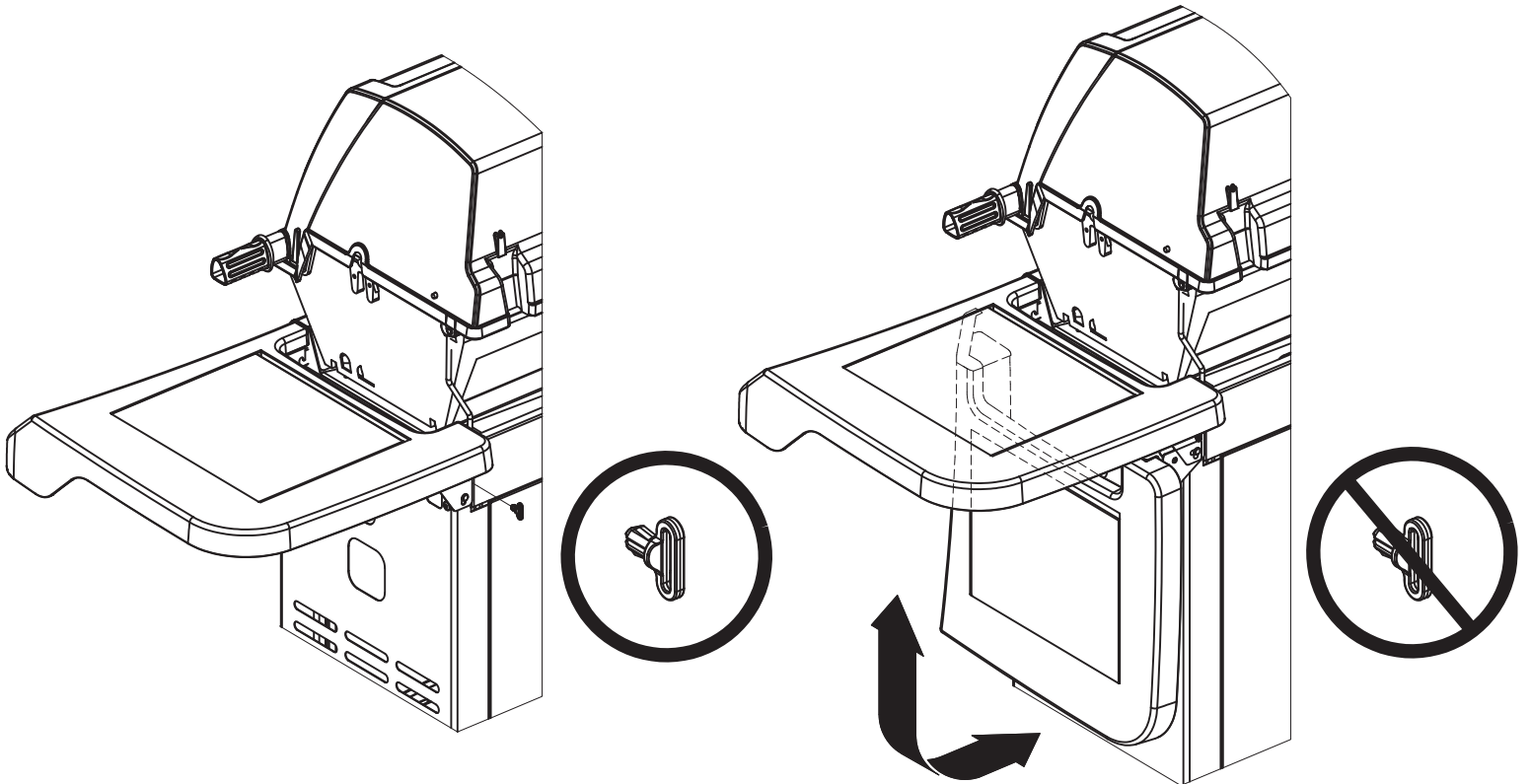
8

(2)  (2) 



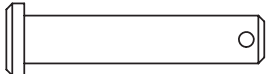
9

(1) 



**10**

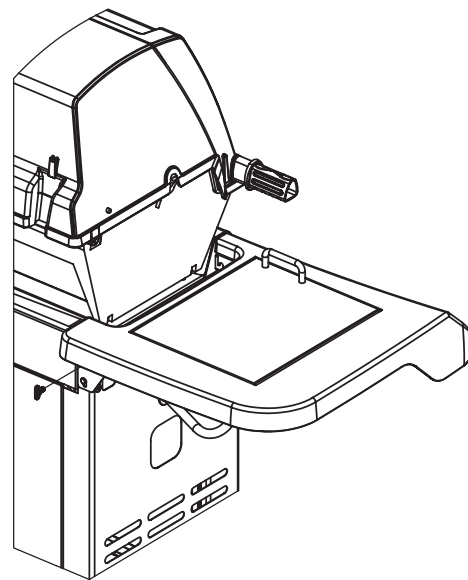
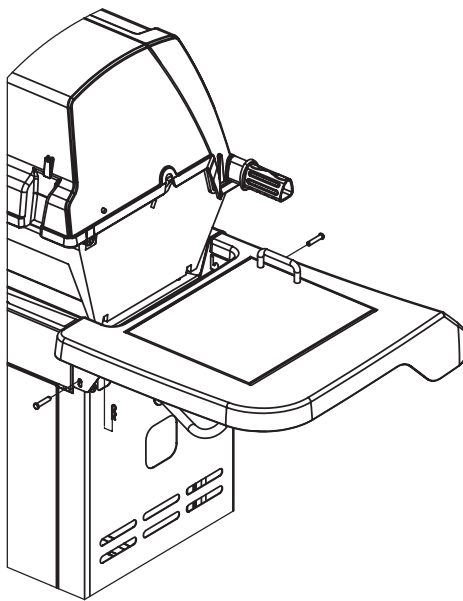
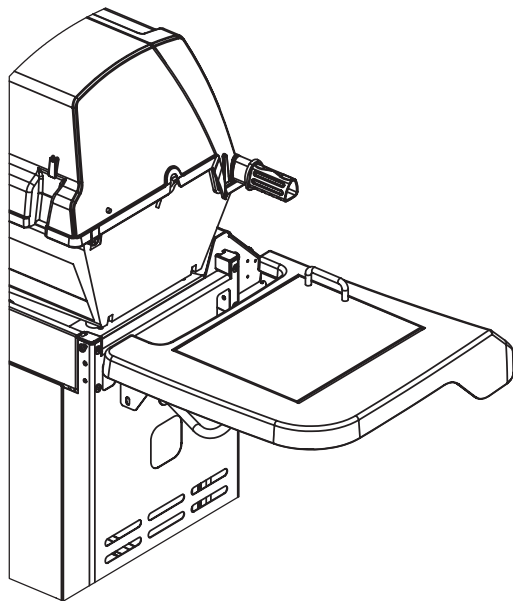
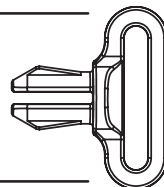
(2)



(2)

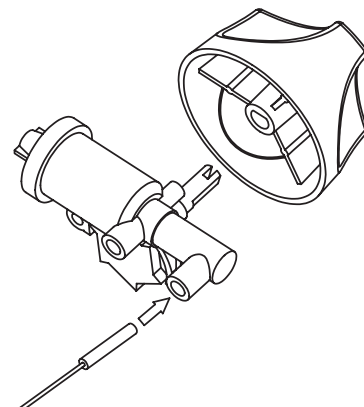
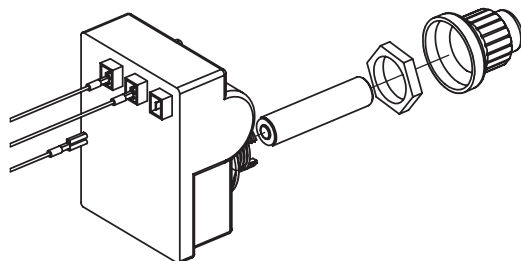
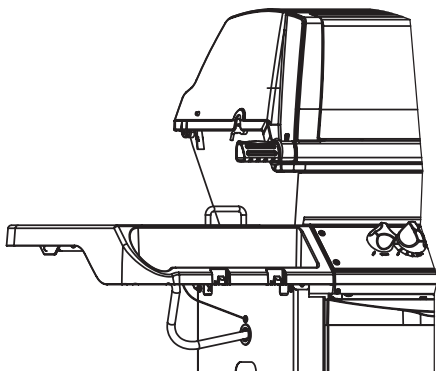
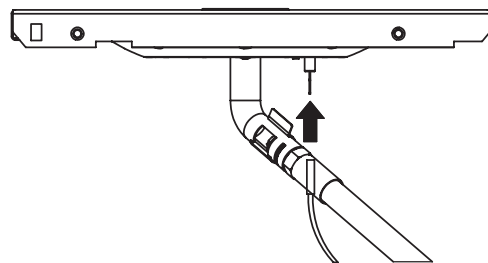
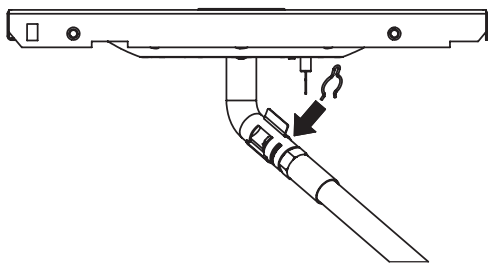
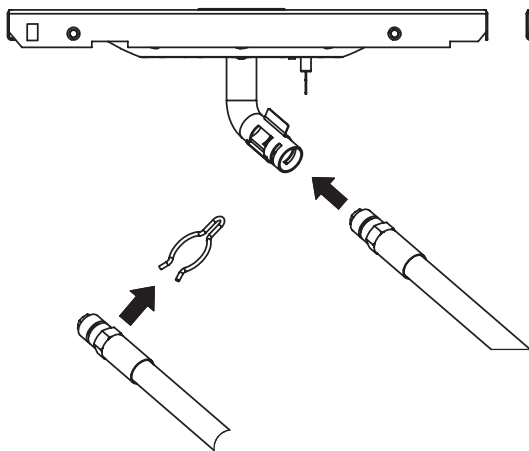
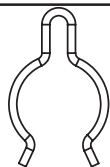


(1)

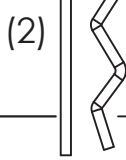


**11**

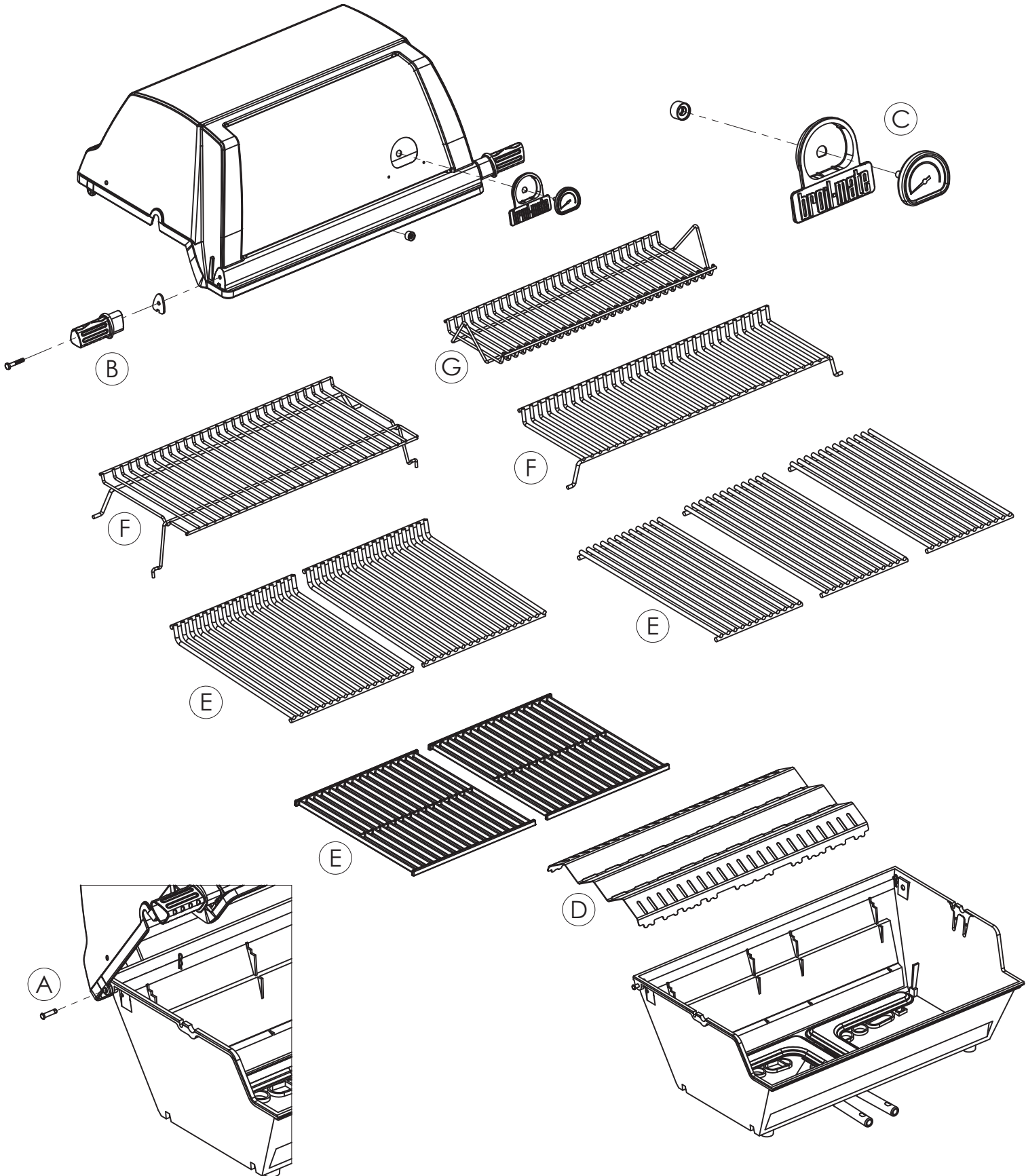
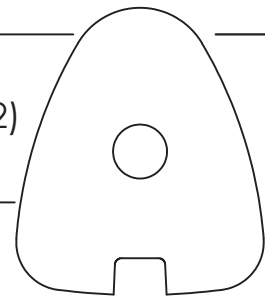
(1)



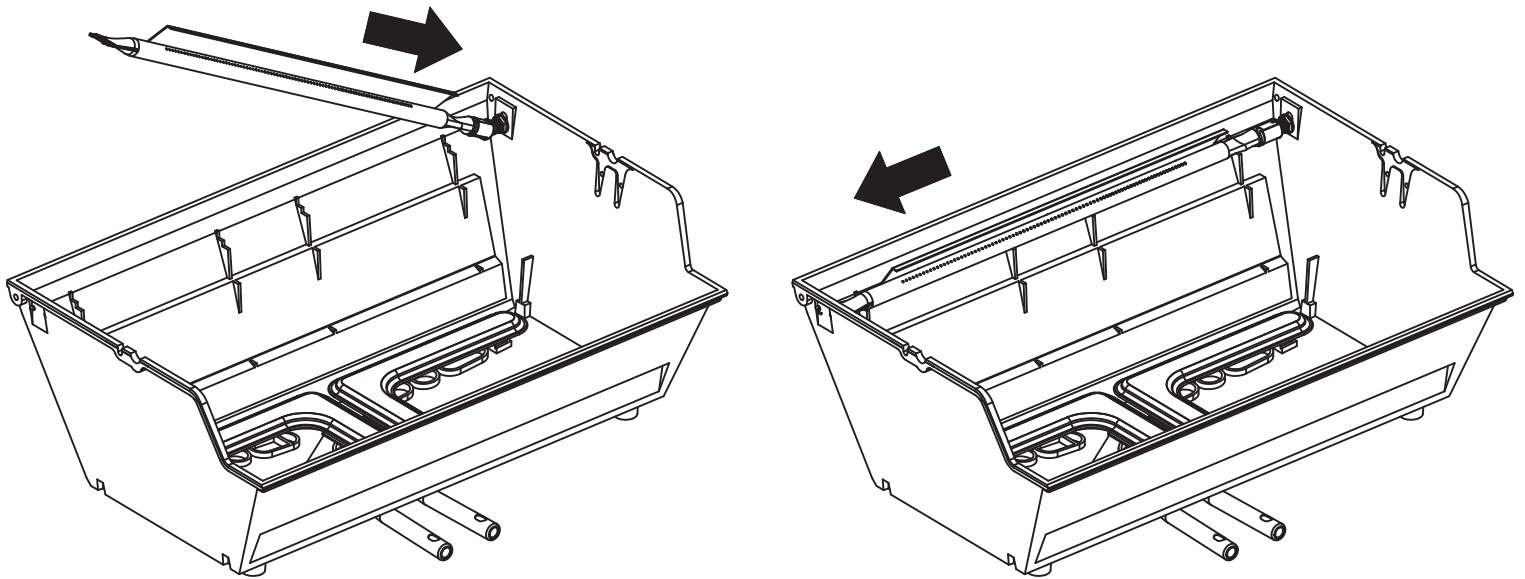
12



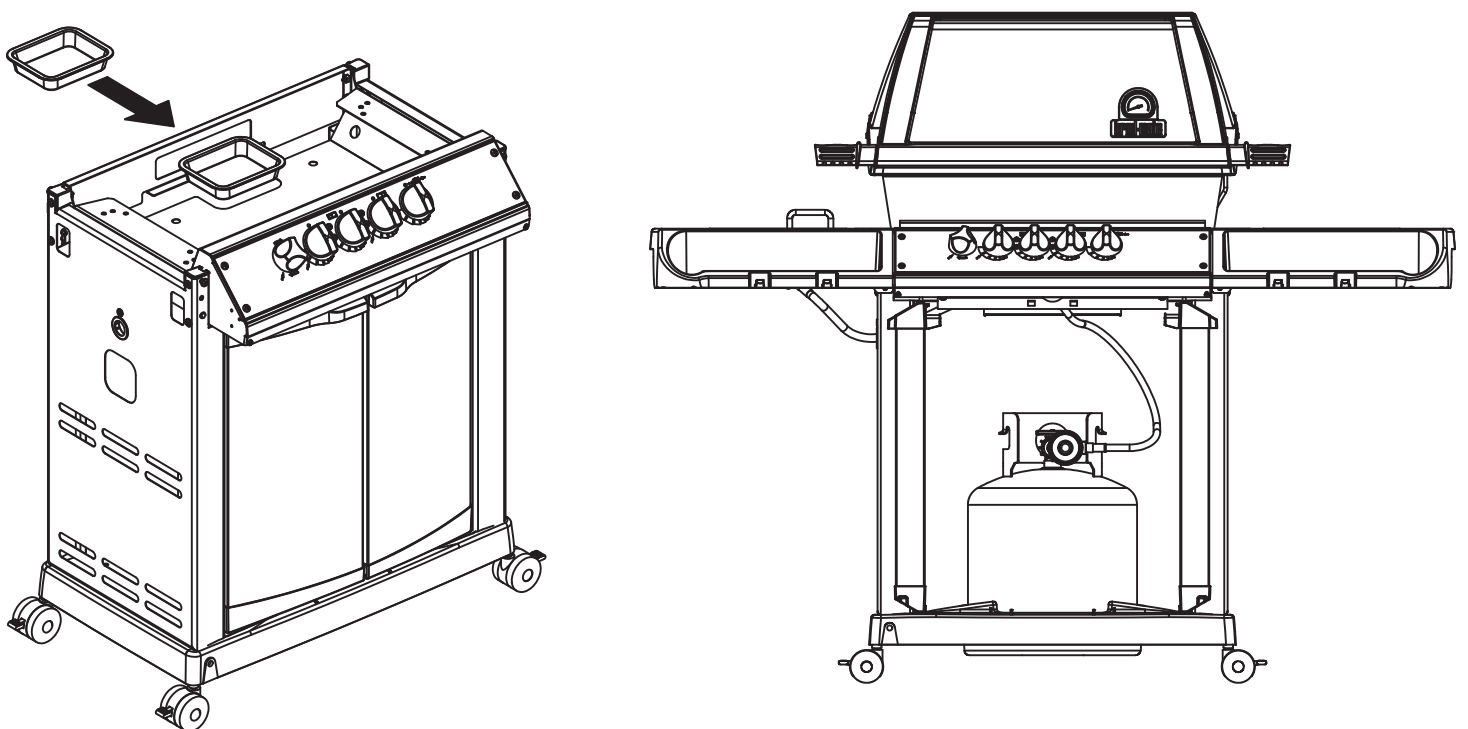
(2)



13



14





**PARTS LIST / LISTE DES PIECES**

<u>KEY #</u>	<u>ITEM #</u>	<u>DESCRIPTION</u>	<u>DESCRIPTION</u>	<u>4657-4</u>	<u>4667-4</u>	<u>4674-4</u>	<u>4677-4</u>	<u>4684-4</u>	<u>4685-4</u>	<u>4687-4</u>	<u>8674-4</u>	<u>8675-4</u>	<u>8684-4</u>
				<u>4657-7</u>	<u>4667-7</u>	<u>4674-7</u>	<u>4677-7</u>	<u>4684-7</u>	<u>4685-7</u>	<u>4687-7</u>	<u>8674-7</u>	<u>8675-7</u>	<u>8684-7</u>
40	10958-R82	BASE	TABLETTE INFERIEURE	1	1	1	1	1	1	1	1	1	1
41	10956-E571	BRACE-FRONT	SUPPORT AVANT	1	1	1	1	1	1	1	1	1	1
42	10958-E79	DOOR	PORTE	2	2	2	2	2	2	2	2	2	2
43	10958-E761	SIDE PANEL BLK	PANNEAU LATERALE	2	2	2	2	2	2	2	2	2	2
44	10958-E901	PANEL - REAR	PANNEAU - ARRIERE	1	1	1	1	1	1	1	1	1	1
45	10184-E801	BRACKET - DOOR CATCH	PARENTHÈSE - CROCHET DE PORTE	1	1	1	1	1	1	1	1	1	1
50	10711-E561	SHELF - SIDE - RIGHT	PLANCHETTE LATERALE - DROIT	1	1	1	1	1	•	•	•	•	•
	10711-E564	SHELF - SIDE - INSERT	PLANCHETTE LATERALE - DROIT	•	•	•	•	•	1	1	1	1	1
50A	10393-E52	INSERT - SIDE SHELF	PANNEAU - ÉTAGÈRE LATÉRALE	•	•	•	•	•	1	1	2	2	1
51	10711-E562	SHELF-SIDE-LEFT	PLANCHETTE LATERALE - GAUCHE	1	•	1	1	•	•	•	•	•	•
	10711-E563	SHELF-SIDE-BURNER	PLANCHETTE - BRULEUR DE COTE	•	1	•	•	•	1	1	1	1	1
52	10184-E78	DOOR - TOP CAP - LEFT	PORTE - DESSUS - GAUCHE	1	1	1	1	1	1	1	1	1	1
53	10184-E76	DOOR - BOTTOM CAP - LEFT	PORTE - DESSOUS - GAUCHE	1	1	1	1	1	1	1	1	1	1
54	10184-E79	DOOR - TOP CAP - RIGHT	PORTE - DESSUS - DROIT	1	1	1	1	1	1	1	1	1	1
55	10184-E77	DOOR - BOTTOM CAP - RIGHT	PORTE - DESSOUS - DROIT	1	1	1	1	1	1	1	1	1	1
64	Y-12851	WASHER	RONDELLE	•	•	1	1	1	1	1	•	•	•
65	S13005	BURNER ROTISSERIE	BRULEUR A ROTISS	•	•	•	•	•	•	•	1	1	1
	S13009	BURNER ROTISSERIE	BRULEUR A ROTISS	•	•	1	1	1	1	1	•	•	•
68	S21362	SPRING	RESSORT	•	•	1	1	1	1	1	1	1	1
70	Y-11990	HEX NUT	ECROU	•	•	1	1	1	1	1	1	1	1
71	10696-109	REARBURNER-ORIFICE LP	ORIFICE DU BRULEUR ARRIERE PL	•	•	1	1	1	1	1	•	•	•
	10696-127	REARBURNER-ORIFICE LP	ORIFICE DU BRULEUR ARRIERE PL	•	•	•	•	•	•	•	1	1	1
	10696-160	REARBURNER-ORIFICE NG	ORIFICE DU BRULEUR ARRIERE GN	•	•	1	1	1	1	1	•	•	•
	10696-185	REARBURNER-ORIFICE NG	ORIFICE DU BRULEUR ARRIERE GN	•	•	•	•	•	•	•	1	1	1
74	Y-6616	BOLT 1/4-20 X 1 1/2	BOULON - 1/4-20 X 1 1/2	2	2	2	2	2	2	2	2	2	2
75	10338-145	HANDLE	POIGNEE	2	2	2	2	2	2	2	2	2	2
76	10239-7	WASHER-HANDLE	RONDELLE DE LA POIGNEE	2	2	2	2	2	2	2	2	2	2
78	10892-15	CASTOR	ROULETTES	4	4	4	4	4	4	4	4	4	4
79	Y-11561	BOLT - 1/4:20 x 1 3/4	BOULON - 1/4:20 X 1 3/4	8	8	8	8	8	8	8	8	8	8
80	Y-11546	SCREW - 1/4-20 X 5/8	VIS - 1/4-20 X 5/8	4	4	4	4	4	4	4	4	4	4
81	Y-11545	SCREW - 1/4-20 X 1 3/8	VIS - 1/4-20 X 1 3/8	4	4	4	4	4	4	4	4	4	4
82	Y-12673	SHELF - LOCK PIN	ÉTAGÈRE - GOUPILLE DE SERRURE	2	2	2	2	2	2	2	2	2	2
82A	Y-12855	BOLT- 1/4-20 X 3/8	BOULON - 1/4-20 X 3/8	2	2	2	2	2	2	2	2	2	2
83	S21014	BOLT- 1/4-20 X 3/4	BOULON - 1/4-20 X 3/4	6	6	6	6	6	6	6	6	6	6
85	10240-15	HINGE PIN	ATTACHE DE CHEVILLE	4	4	4	4	4	4	4	4	4	4
87	Y-11793	NUT- 1/4-20	ECROU - 1/4-20	22	22	22	22	22	22	22	24	24	24
97	Y-12642	SCREW - 8 X 1/2 - S.S.	VIS - 8 X 1/2 - A.I.	•	•	•	•	•	6	•	6	6	6
	Y-12643	SCREW - 8 X 1/2	VIS - 8 X 1/2	•	•	6	•	6	•	•	•	•	•
98	S21124	SCREW - 8 X 1/2	VIS - 8 X 1/2	24	24	20	24	20	20	24	20	20	20
98A	Y-12643	SCREW - 8 X 1/2	VIS - 8 X 1/2	12	12	12	12	12	12	12	12	12	12
99	Y-12646	SCREW - SHOULDER 8 X 1/2	VIS - 8 X 1/2	•	2	•	•	2	2	2	•	•	2
100	S21126	SCREW - 8 X 1/2	VIS - 8 X 1/2	•	•	•	•	•	4	4	8	8	4
104	Y-12835	SCREW - 6-32 X 1/4	VIS - 6-32 X 1/4	•	2	•	•	2	2	2	•	•	2
105	Y-29307	NUT - 10-24	ECROU - 10-24	•	4	•	•	4	4	4	•	•	4
108	PB20-60	LID HANDLE	POIGNEE	•	1	•	•	1	1	1	•	•	1
109	S21136	SCREW - 8-32 X 3/8	VIS - 8-32 X 3/8	1	3	1	1	3	3	3	1	1	3
110	10225-T09	GRID	GRILLE	•	1	•	•	1	1	1	•	•	1
111	10390-E10	SIDE BURNER	BRULEUR DE COTE	•	1	•	•	1	1	1	•	•	1
113	10342-T14	ELECTRODE - SIDE BURNER	ELECTRODE - BRULEUR DE COTE	•	1	•	•	1	1	1	•	•	1
114	10393-E50	COVER-SIDE BURNER	COUVERCLE LATÉRAL	1	•	•	•	•	1	1	1	1	1
	10393-E401	COVER-SIDE BURNER	COUVERCLE LATÉRAL	•	1	•	•	1	•	•	•	•	•
115	Y-29304	SCREW - 10-24 X 3/8	VIS - 10-24 X 3/8	2	4	4	4	4	•	4	•	•	•
	Y-29304S	SCREW - 10-24 X 3/8 - S.S.	VIS - 10-24 X 3/8 - A.I.	•	•	•	•	•	4	•	4	4	4
116	Y-29304	SCREW - 10-24 X 3/8	VIS - 10-24 X 3/8	•	4	•	•	4	4	4	•	•	4
117	10393-E62	SHELF-SIDE BURNER	SUPPORT DE BRULEUR DE COTE	•	1	•	•	1	1	1	•	•	1
123	S15115	GREASE PAN - DISPOSABLE	CUVETTE A GRAISSE	2	2	2	2	2	2	2	2	2	2
125	Y-12220	BUSHING	DOUILLE	•	1	1	•	1	1	1	•	•	1
135	Y-12119	3/8 HEYCO BUSHING	DOUILLE DE 3/8 HEYCO	•	1	1	•	1	1	1	•	•	1

