

This Owner's Manual is provided and hosted by [Appliance Factory Parts](http://www.appliancefactoryparts.com).



DE'LONGHI NF100C Owner's Manual

[Shop genuine replacement parts for DE'LONGHI
NF100C](#)



[Find Your DE'LONGHI Air Conditioner Parts - Select From 156 Models](#)

----- Manual continues below part list -----

Available Replacement Parts for DELONGHI NF100C

5348001200	Discharge hose
TL1906	Caster
NE1091	Fan
NE1266	Power supply cord.
NE1068	Remote control
NE1112	Stopper
NE1277	Bracket, window
NE1278	Screw (set of 4)
NE2002	New wall flange
KK1000	FILTER WITH GRID, CUT TO FIT 15 x 24
NE1370	Straight hose adapter
NE1265	Terminal
NE1639	FAN

Important Safe-guards

When using electrical appliances, basic safety precautions should always be taken, with particular reference to the following:

- **Read all instructions.**
- To protect against fire, electric shock and personal injury, do not immerse cable, plug or appliance in water or other liquid.
- Close supervision is necessary when any appliance is used by or near children.
- Unplug from socket when not in use and before cleaning.
- Do not operate if the cable, plug or unit itself is damaged or faulty. Return the appliance to the nearest authorised service centre for examination, repair or adjustment.
- The use of accessories or spare parts other than those recommended by the manufacturer may result in fire, electric shock or personal injury.
- Do not use outdoors.
- Do not use the appliance in ways other than that for which it was intended.
- Do not place the power cable under strain. Avoid twisting and/or tangling.
- Ensure that the outlet of the discharge hose is kept free from debris and blockages.
- Do not obstruct the ventilation holes at the rear of the unit or the front grilles.
- The Pinguino should not be installed where there may be combustible gases in the atmosphere.
- Avoid using Pinguino in oily or sulphurous atmospheres or near sources of heat.
- Before moving the air conditioner, empty water from condensation tray (see drainage instructions on page 15).
- Do not place hot or heavy objects on the unit.
- Clean air filter every week (see instructions on page 15).
- To disconnect, turn control to "OFF", then unplug from wall socket.
- Important: if an extension is required, use heavy duty cable only (minimum 14 gauge)

SAVE THESE INSTRUCTIONS

How does your pinguino work

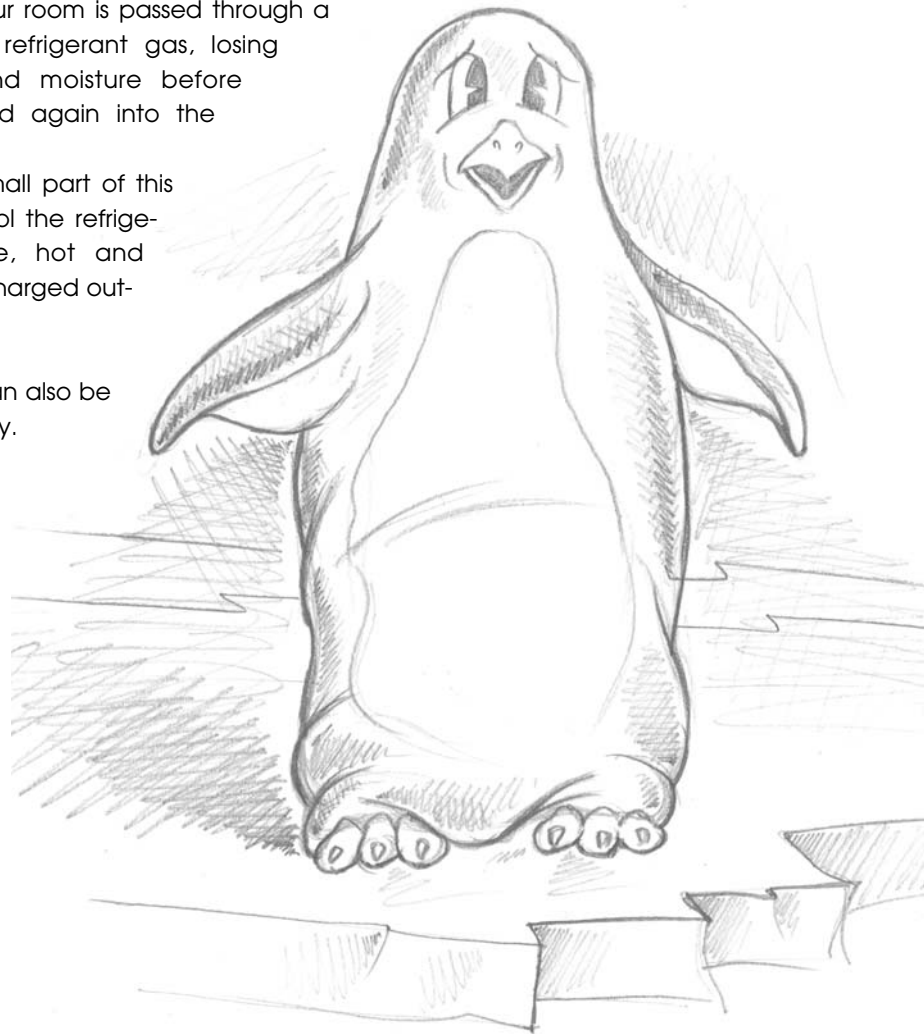
During the summer, optimum comfort is achieved with a temperature of between 75-80°F (24-27°C) and about 50% relative humidity.

An air conditioner removes moisture and heat from the room where it is located. One advantage of portable air conditioning units over fitted models is that they can be moved from one room to another in the home or even transferred between different buildings.

The hot air in your room is passed through a coil cooled by refrigerant gas, losing excess heat and moisture before being discharged again into the room.

In Pinguino, a small part of this air is used to cool the refrigerant gas before, hot and moist, being discharged outside.

Each Pinguino can also be used as a fan only.



Description of the appliance

DESCRIPTION MODEL

- 1) Air discharge grill
- 2) Control Panel
- 3) Wheels
- 4) Handles
- 5) Housing for air exhaust hose
- 6) Cord winder
- 7) Air intake grill
- 8) Rating plate
- 9) Water collection tank
- 10) Water drain tube
- 11) Stopper for drain tube
- 12) Power cord

Description of the Accessories

- 13) Stopper and flange
- 14) Air exhaust hose
- 15) Air exhaust attachment
- 16) Suckers
- 17) Wheel locks
- 18) Window bracket
- 19) Door bracket

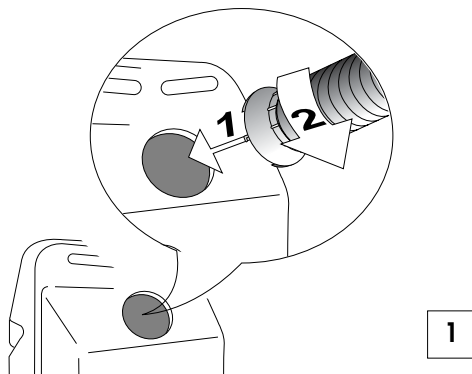
Setting up

When positioning the appliance, always ensure that nothing obstructs the intake and discharge of air

AIR CONDITIONING WITHOUT PERMANENT INSTALLATION

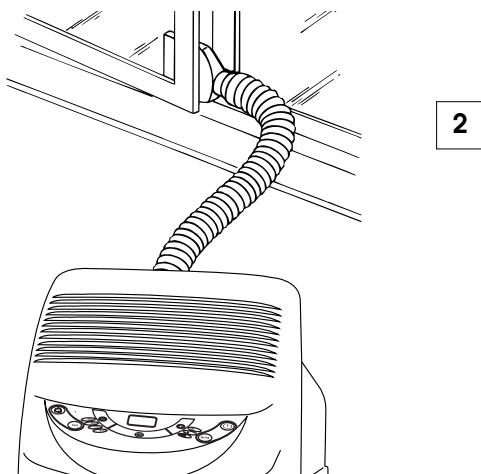
Only a few simple steps are necessary to obtain the comfort offered by Pinguino.

- Fit the air exhaust hose (14) in its housing (5) at the rear of the appliance as shown in fig. 1



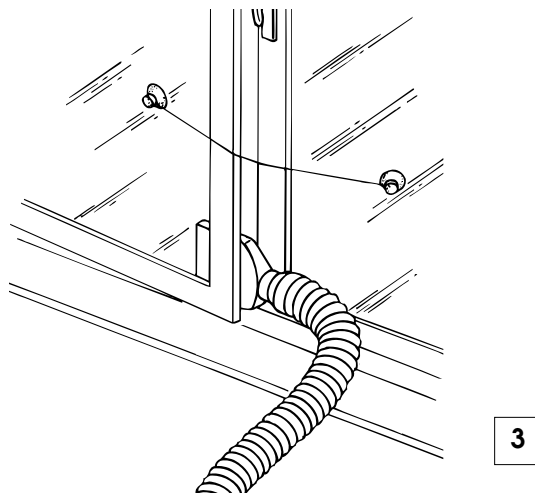
1

- Fit the window discharge attachment (15) to the end of the hose (14)
- Place the air-conditioning unit at a window or French window
- Open the window a little and position the attachment (15) as shown in fig. 2.



2

- If you have a double window, use the suckers (16) supplied to keep the panes from opening wide (figure 3).



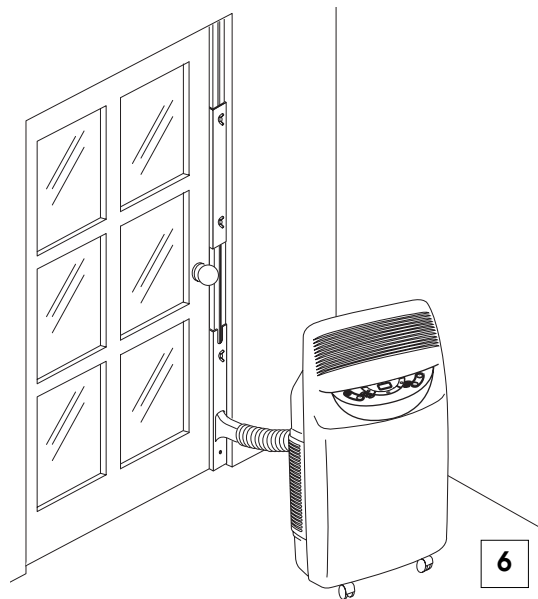
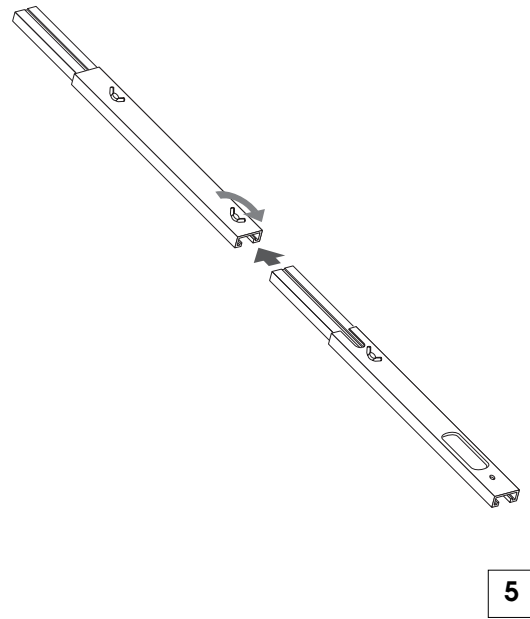
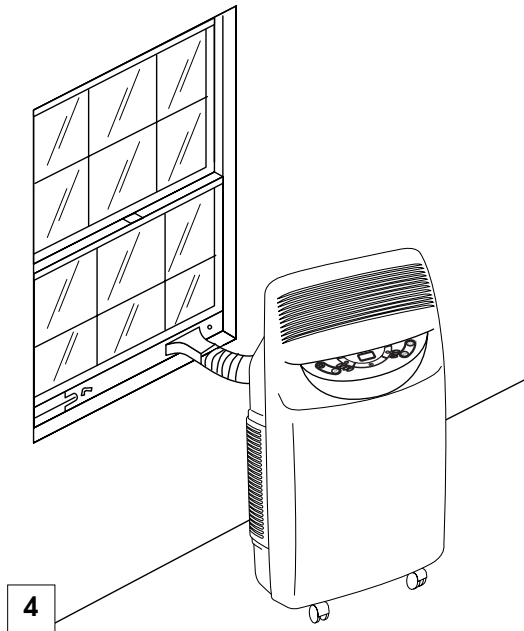
3

Setting up

Pinguino is equipped with an adjustable window bracket 18. If you have a sliding window, place the bracket on the window sill, extend the bracket fully within the window frame and lower the window onto the bracket. Insert the nozzle of the exhaust hose into the slot, then connect the hose to the air conditioner (Fig.4).

Thanks to the wing nut, it's possible to use the window bracket also for sliding windows. Position the hole of the bracket to allow a correct installation of the exhaust hose (see the following instructions).

If you have a sliding door, use the additional set provided in order to extend the accessory to the desired length; joining the two parts (fig. 5), adjust the total length according to your needs then, fit the bracket with the relevant nuts, close the door and connect the hose to the air conditioner (fig. 6).

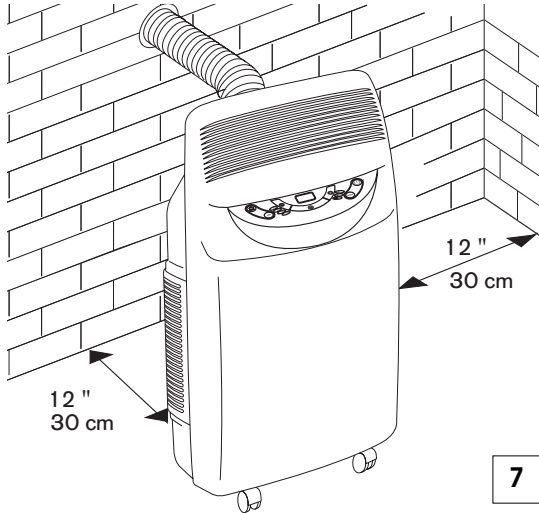


Setting up

ENGLISH

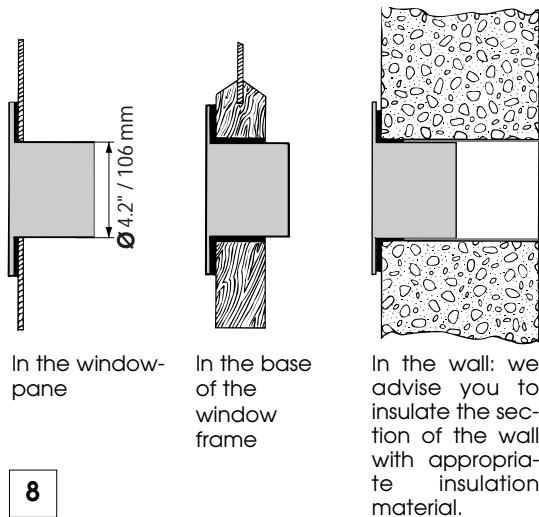
AIR CONDITIONING WITH SEMI-PERMANENT INSTALLATION

If desired, Pinguino can also be installed on a semi-permanent basis fig. 7.



In this case it will be necessary to:

- Drill a hole in a perimeter wall or in a window pane. Observe the height limits (fig. 9) and the dimensions of the hole given in fig. 8.

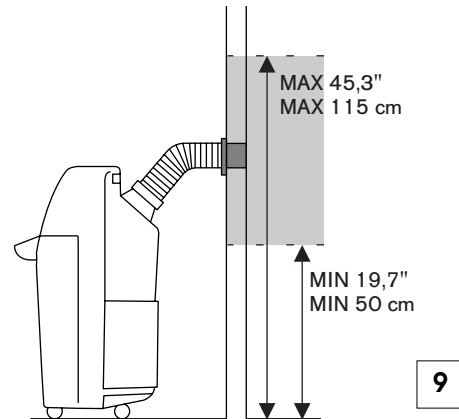


In the window-pane

In the base of the window frame

In the wall: we advise you to insulate the section of the wall with appropriate insulation material.

- Fit the flange (13) supplied to the hole.
- Fix the hose (14) in the housing at the rear of the appliance (fig 1)
- Fit the end of the hose to the flange (15) as shown in fig. 9.



When the hose (14) is not connected, the hole can be closed off with the flange stopper (13).

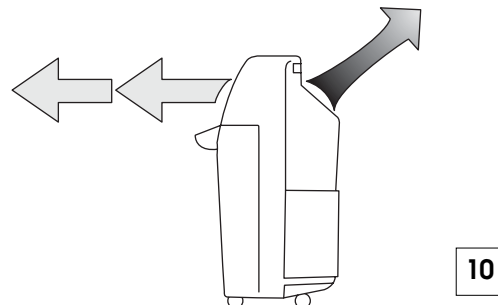
N.B.

When operating the appliance with semi-permanent installation, it is advisable to leave a door slightly ajar (even only 1cm), to ensure free circulation of air.

DEHUMIDIFICATION

Position the appliance in the room without inserting the air exhaust hose (14); this ensures that the dehumidified air will be released directly into the atmosphere.

The air emitted through the front grill will be cold while the air from the rear will be warm (fig. 10) thus ensuring that the room is dehumidified without variation in temperature.



Description of the control panel

THE DISPLAY

- A. **ON/OFF Button**
- B. **Function Button**
Air-conditioning, dehumidifying, ventilation
- C. **Air-conditioning indicator light**
- D. **dehumidifying indicator light**
- E. **Ventilation indicator light**
- F. **Increase temperature button / increase operating time button**
- G. **Decrease temperature button / Decrease operating time button**
- H. **Display**
Displays the temperature selected, time programmed
- I. **Timer button**
- L. **Timer operation indicator**
- M/N/O/P. **Fan speed indicator**
- Q. **Fan speed button**

ELECTRICAL CONNECTION

Before plugging in check that:

- the mains supply corresponds to the value shown in the specifications table;
- the socket and the mains lead correspond to the power requirements of the appliance;
- the socket is suited to the plug, otherwise have the socket replaced;
- the socket is properly grounded. **The manufactures cannot be held responsible for any damages due to failure in following normal safety procedures.**

Replacement of the power cable must be carried out by qualified personnel.

Operation

SWITCHING THE APPLIANCE ON

Connect the appliance to the mains supply.

On the display two lines will appear indicating Stand-by mode. Press the ON/OFF button (A) and then the MODE button until the relevant function indicator appears viz.:

Indicator C ✖ : air-conditioning

Indicator D 💧 : dehumidifying

Indicator E ≡ : ventilation



AIR-CONDITIONING FUNCTION

This function is ideal in hot, humid weather conditions when the atmosphere requires to be cooled and dehumidified.

To ensure proper function of the appliance, after selecting the air-conditioning function, press buttons + (F) or - (G) until the desired temperature appears on the display.

The temperatures most suited to the atmosphere in summer vary between (24-27°C) 75°-80°F. We do not advise selection of temperatures much lower than those outside.

Select fan speed by pressing the "FAN" button (Q) until the fan speed indicator appears:

MAX (P): if you want the maximum power of the air-conditioner to reach the desired temperature as quickly as possible.

MIN (O): if you want to reduce the level of noise and still maintain a good level of comfort.

SILENT (N): when minimum noise is required,

AUTO (M): if you prefer the appliance to select the fan speed for the temperature selected on the display panel.



DEHUMIDIFYING FUNCTION

This function is ideal for reducing humidity in the atmosphere while avoiding increases or decreases in temperature (in between seasons, damp places, wet spells of weather).

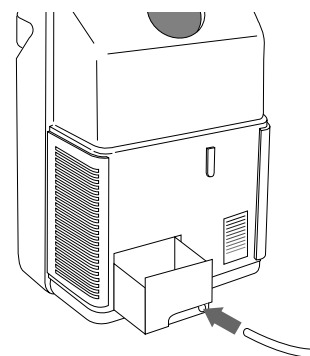
When you select the dehumidifying function, the letters "dh" will appear on the display.

The water is collected in the tank at the rear of the appliance.

When the tank is full, the appliance will stop working and the display will show the letters "FL" (Full Tank); the tank must then be emptied. When it is re-inserted, the appliance will re-start automatically. N.B. remove the air exhaust hose (14).



In the air-conditioning function, the unit employs an exclusive condensation recycling system to dispose of excess moisture. In normal conditions, condensation is disposed of automatically. When the humidity is particularly high, an excess of condensation may build up in the TANK 9. When this happens, the display will show the letters "FL" (Full Tank); indicating that the TANK should be emptied. Whenever conditions of high humidity make the problem recurrent, you may discharge the excess water directly into a drain, using the rubber tube supplied. The tube should be inserted into the hole provided, after having removed the rubber stopper. (see figure). Make sure the TANK is put back correctly otherwise the display will continue to show the letters "FL"



Operation

Once the dehumidifying function has been selected, the fan speed cannot be changed. The appliance will automatically select the correct fan mode.

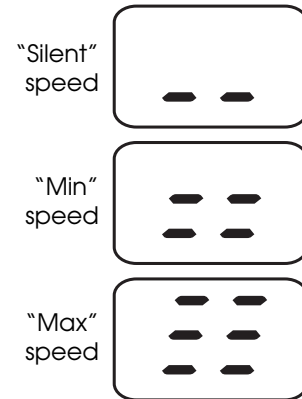
VENTILATION

Adjust the fan speed by pressing the "FAN" (Q) button, as illustrated in the air conditioning function.

Bear in mind that the higher the speed, the greater the volume of air filtered; by selecting the "Silent" speed, less air is filtered, but the noise level is low.

"AUTO" function cannot be selected in this mode.

The display will show the fan speed selected.



PROGRAMMING THE TIMER

The timer programs the appliance to switch on and switch off. This will save electrical energy by optimizing the operating times.

The timer is set using the buttons + (F) or - (G); these increase and decrease by one hour at a time, but if pressed for more than 2 seconds will automatically change the time more quickly, up to a maximum of 24 hours.

How to set the delayed start function

- Connect the appliance to the mains supply and press ON/OFF button: next, select the required operating mode (temperature, fan speed etc.)
- Press the ON/OFF button again: the appliance will go into stand-by mode.
- Press the timer button (I): on the display the two central segments will start to flash.
- Set the number of hours after which the appliance should switch on, by pressing the + or - buttons.

The indicator (L) on the display will continue to flash until the appliance starts operating.

The appliance can be programmed for up to 24 hours in advance.



How to set the delayed stop function

- The appliance can be programmed for delayed stop from any of the operating modes (air-conditioning/dehumidifying/ventilation).
- Press the Timer button (I): on the display the two central segments will start to flash.
- Set the number of hours after which the appliance should switch off by pressing the + or - buttons.

The indicator (L) on the display will continue to flash until the appliance switches itself off. It will then go into Stand-by mode.



Operation

SELF-DIAGNOSIS

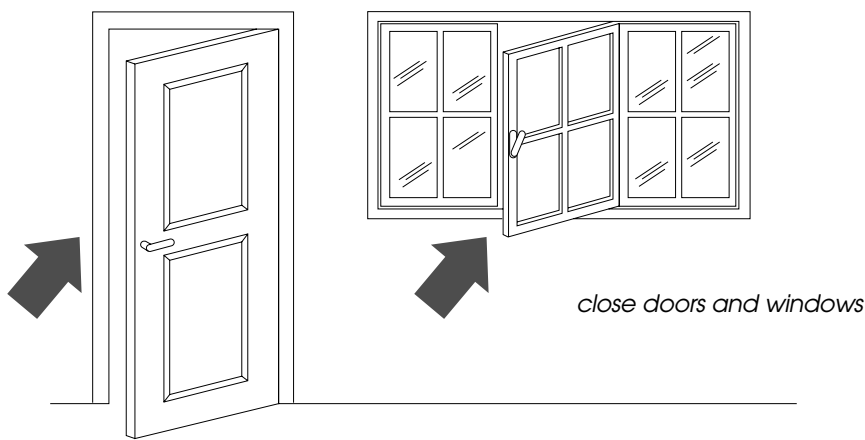
The appliance is equipped with a self-diagnosis system which identifies any operating problems.

IF THE DISPLAY SHOWS...WHAT SHOULD YOU DO?
HP HIGH PRESSURE	Insert and re-insert the plug. If the problem persists, call the service centre.
LT LOW TEMPERATURE	If the machine is operating as an air-conditioner or dehumidifier, this will prevent the formation of ice. The appliance will start up automatically once the defrosting process has ended.
FF FAN FAILURE PF PROBE FAILURE	If either of these messages appears, call the service centre.
FT FULL TANK	Empty the tank at the rear of the appliance and reposition correctly.

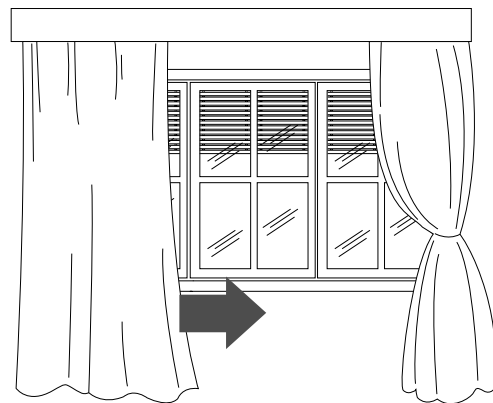
Recommendations

Follow these recommendations to achieve maximum efficiency from your air conditioning unit:

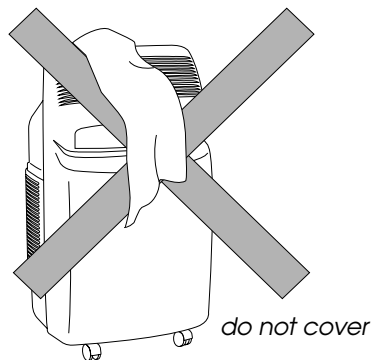
- Close the doors and windows in the room where the unit is functioning. The only exception is in the case of installation through a hole in the wall. In this case, you are recommended to allow a small amount of air to enter through a door or window to guarantee an adequate exchange of air.
- Do not install the heater in humid environments.
- Do not use the appliance outdoors.
- Keep the appliance a safe distance from combustible surfaces



- Protect the room from direct exposure to the sun's rays by drawing the curtains and/or partially lowering the blinds so as to maximise energy savings.
- Do not rest objects on the air conditioning unit.
- Do not obstruct the air intake or outlet.
- Make sure there are no heat sources in the room.



lower the blinds or draw the curtains



- Make sure the unit is located on a **level** floor. If necessary, place the two blocking devices **17** under the front wheels.

Cleaning

Before cleaning or maintenance, switch off the appliance by pressing the ON/OFF button (A) and always unplug it from the mains supply.

CLEANING THE EXTERNAL UNIT

We recommend cleaning the appliance with a slightly damp cloth. It should then be dried. For safety reasons, do not wash the air-conditioner with water.

Precautions

Never clean with benzene, alcohol or solvents. Never spray with liquid insecticide or similar.

CLEANING THE AIR FILTERS

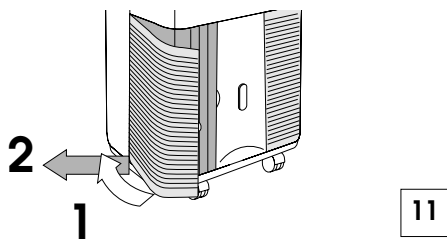
To maintain the air-conditioning unit at peak efficiency, we advise you to:

1. Clean the dust filter weekly.

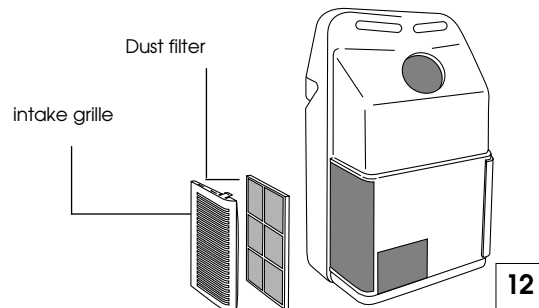
The filters are located behind the two intake grilles. The grilles contain the filters.

To clean the filters:

1. Remove the intake grilles by rotating them outwards. (fig 11)
2. Remove the dust filter by detaching it from the external grill.



To remove the dust deposited on the anti-bacterial filter, use a vacuum cleaner. If very dirty, immerse in warm water (not more than 104° F) and rinse thoroughly. Allow the filter to dry. To replace, fit the filters to the intake grill and attach to the appliance.



BEGIN OF SEASON CHECKS

Check that the power cord and plug are undamaged and that the appliance is properly earthed.

The installation instructions should be observed meticulously.

END OF SEASON OPERATIONS

Empty the water from the tank.

Remove the tank (9) and empty it. To drain any residual water from the internal circuit, remove the stopper (11) from the drain tube (10) and drain completely. Re-insert the stopper and re-position the tank correctly (9).

Clean the anti-bacteria filters and dry well before replacing.

Troubleshooting

PROBLEM	CAUSES	REMEDY
The air-conditioner does not work	<ul style="list-style-type: none"> the power is off the appliance is not plugged in 	<ul style="list-style-type: none"> Plug it in
The air-conditioner works only for a short time	<ul style="list-style-type: none"> The exhaust hose is twisted The exhaust hose is blocked The exhaust hose is bent 	<ul style="list-style-type: none"> Position exhaust hose correctly Check for obstacles blocking the exhaust system Straighten the hose
The air-conditioner works but does not cool the room.	<ul style="list-style-type: none"> a window is open there is a source of heat in the room (lamp, burner etc.) or there are many people in the room. the thermostat is set too high air filters are dirty the capacity of the air-conditioner is not adequate for the conditions or the dimensions of the room. 	<ul style="list-style-type: none"> close the window eliminate source of heat set the thermostat to a lower temperature clean the filters
Strange odour in the room	<ul style="list-style-type: none"> air filters are dirty 	<ul style="list-style-type: none"> clean the filters
Leaking condensate from the unit	<ul style="list-style-type: none"> appliance incorrectly installed condensate collection tank is full 	<ul style="list-style-type: none"> see instructions for correct installation of appliance Empty the tank
The unit does not work for about 3 minutes after turning on the appliance.	<ul style="list-style-type: none"> The safety mechanism has been activated 	<ul style="list-style-type: none"> wait for 3 minutes

See paragraph "Self diagnosis" if the following messages appear on the display: FF, HP, LT, FT, PF.

Technical specification

ENGLISH

OPERATING LIMITS	
Room temperature	21 ÷ 35°C 69 - 95°F

TECHNICAL SPECIFICATION

Power supply	see rating plate
Max. absorbed power in air conditioning	"
Max. absorbed power when dehumidifying	"
Refrigerating capacity*	"
Number of fan speeds	2 + silent
Max. air flow	460 m ³ /h
Dimensions of internal unit:	
• width	452 mm 17.80"
• height	800 mm 315"
• depth	455 mm 179.1"
• weight	33 kg 72.8 lb
* Standard conditions:	
Room temperature	35°C - 95°F
	40% relative humidity
Outside temperature	35°C - 95°F
	40% relative humidity

THIS WARRANTY APPLIES TO ALL PRODUCTS WITH DE'LONGHI OR KENWOOD BRAND NAMES.**Limited Warranty****What does the warranty cover?**

We warrant each appliance to be free from defects in material and workmanship. Our obligation under this warranty is limited to repair at our factory or authorized service center of any defective parts or part thereof, other than parts damaged in transit. In the event of a products replacement or return, the unit must be returned transportation prepaid. The repaired or new model will be returned at the company expense.

This warranty shall apply only if the appliance is used in accordance with the factory directions, which accompany it, and on an Alternating current (AC) circuit.

How long does the coverage last?

This warranty runs for one year (1) parts and labour and five (5) years for all internal components (compressor, evaporator, condenser and factory conneted refrigerant tubing) from the purchase date found on your receipt and applies only to the original purchaser for use.

What is not covered by the warranty?

The warranty does not cover defects or damage of the appliance, which result from repairs or alterations to the appliance outside our factory or authorized service centers, nor shall it apply to any appliance, which has been subject to abuse, misuse, negligence or accidents. Also, consequential and incidental damage resulting from the use of this product or arising out of any breach of contract or breach of this warranty are not recoverable under this warranty. Some states do not allow the exclusion or limitation of incidental or consequential damage, so the above limitation may not apply to you.

How do you get service?

If repairs become necessary, see contact information below:

U.S. Residents:

Please contact our toll free hotline at 1-800-322-3848 or log onto our website at www.delonghi.com.

For all accessories, spare parts or replacement parts, please contact our parts division at 1-800-865-6330.

Residents of Canada: Please contact our toll free hotline at 1-888-335-6644 or log onto our website at www.delonghi.com.

Residents of Mexico: Please refer to the Limited Warranty statement for Mexico.

Please refer to the back page of the manual for De'Longhi addresses.

The above warranty is in lieu of all other express warranties and representations. All implied warranties are limited to the applicable warranty period set forth above. This limitation does not apply if you enter into an extended warranty with De'Longhi. Some states do not allow limitations on how long an implied warranty lasts, so the above exclusions may not apply to you. De'Longhi does not authorize any other person or company to assume for it any liability in connection with the sale or use of its appliance.

How does state law apply?

This warranty gives you specific legal rights, and you may also have other rights, which vary from state to state.