

This Owner's Manual is provided and hosted by [Appliance Factory Parts](#).



Broil-Mate 1867-87 Owner's Manual

[Shop genuine replacement parts for Broil-Mate 1867-87](#)

BROIL-MATE

[Find Your Broil-Mate Grill Parts - Select From 682 Models](#)

----- Manual continues below part list -----

Available Replacement Parts for Broil-Mate 1867-87

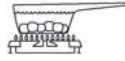
| | |
|-----------------------------|--|
| 18429 | FLAV R WAVE - SIGNET/SOVEREIGN |
| 10342-E400A | COLLECTOR BOX ASSEMBLY |
| 18629 | TUBE IN TUBE BURNER SIGNET/SOVEREIGN |
| 18529 | FLAV R WAVE DIVIDER - SIGNET/SOVEREIGN |

broil-mate™

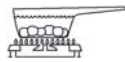
REDDI-BILT BARBECUES

ASSEMBLY MANUAL & PARTS LIST

MANUEL DE MONTAGE & LISTE DE PIÈCES



broil-mate™
1867-24
1867-27



broil-mate™
1867-44
1867-47
1867-84
1867-87
1877-44
1877-47



RETAIN FOR FUTURE REFERENCE

VEUILLEZ CONSERVER POUR REFERENCE ULTERIEURE

1-800-265-2150

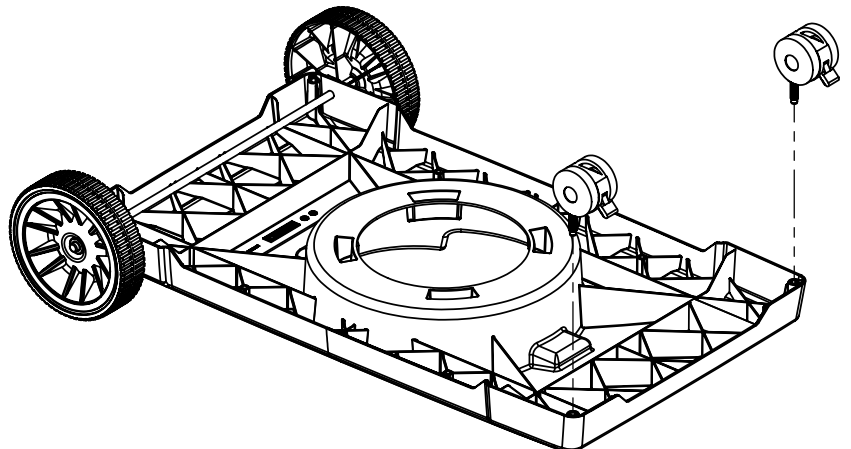
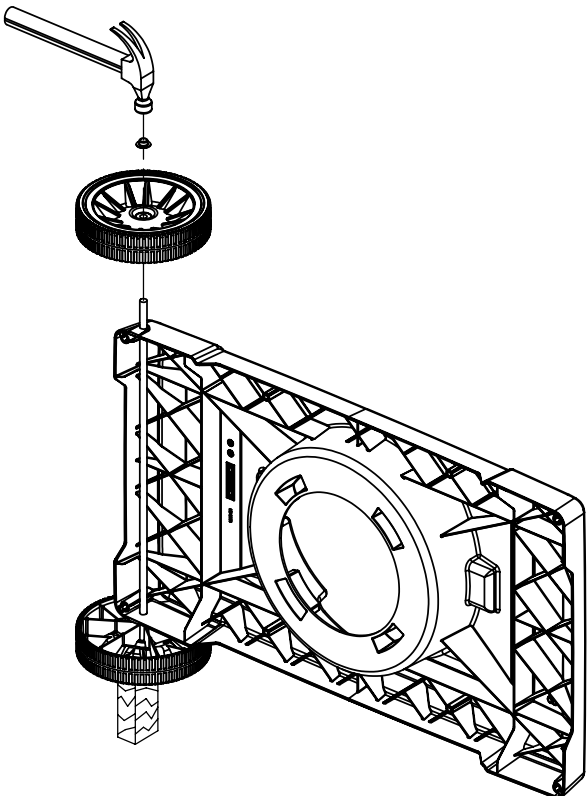
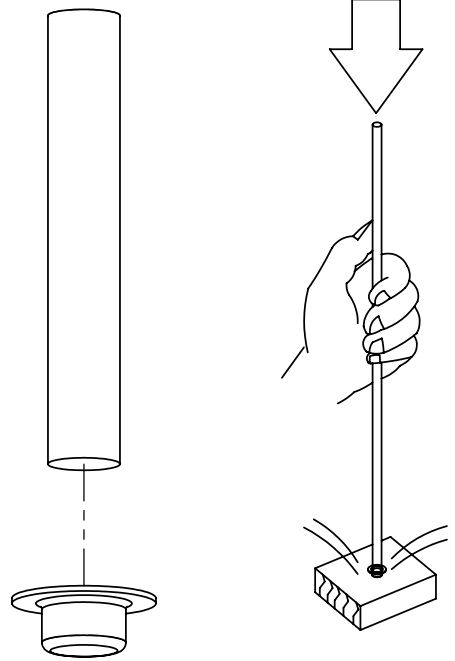
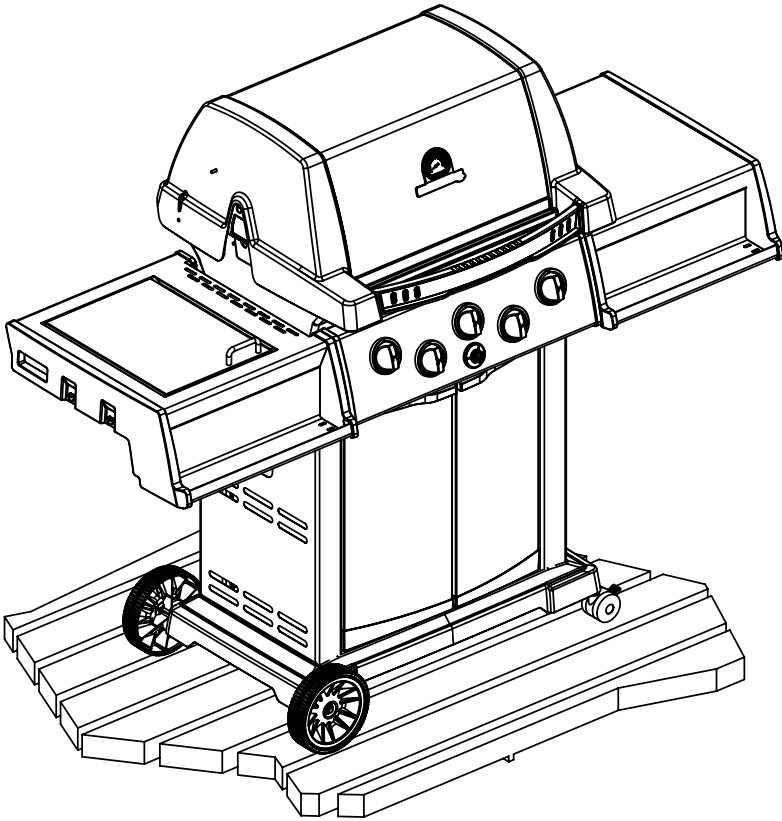
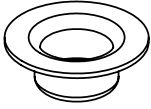
info@omcbbq.com

Onward
MANUFACTURING COMPANY LIMITED
SINCE 1906
585 KUMPF DRIVE
WATERLOO, ONTARIO, CANADA
N2V 1K3

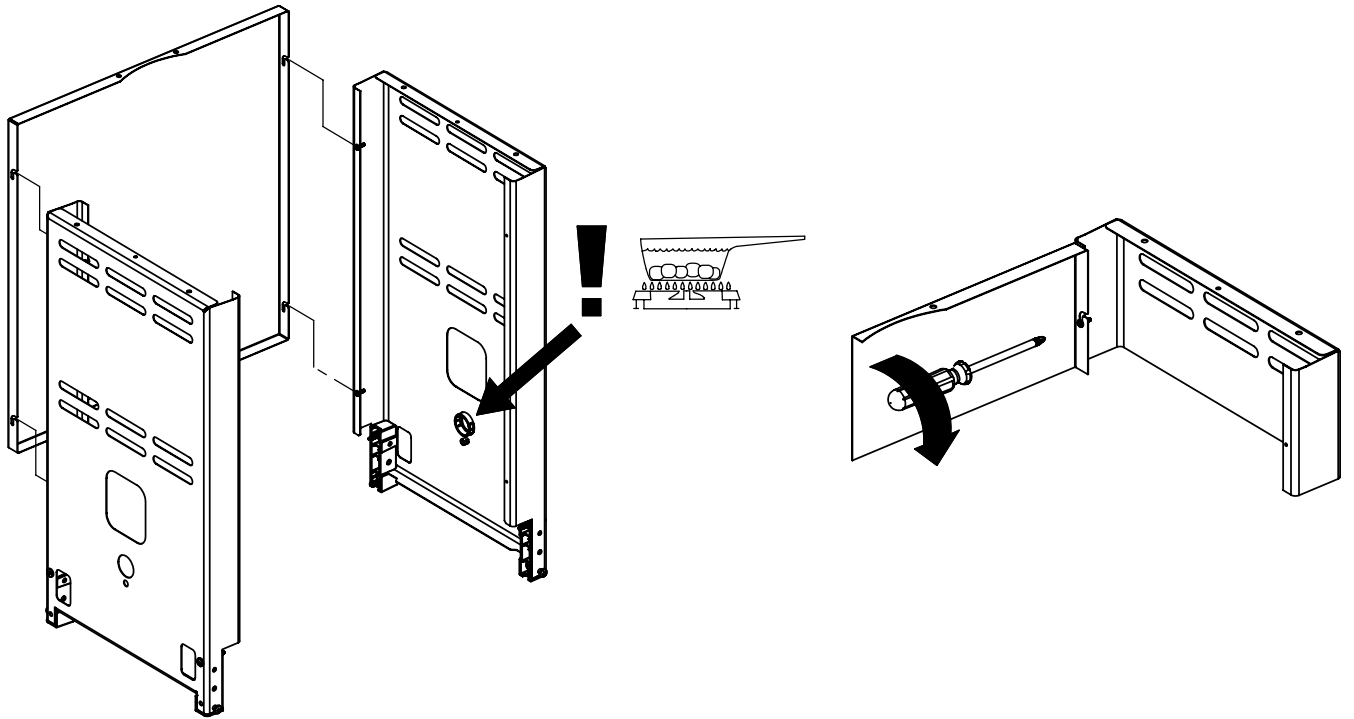
10084-E45 REV 02/06

1

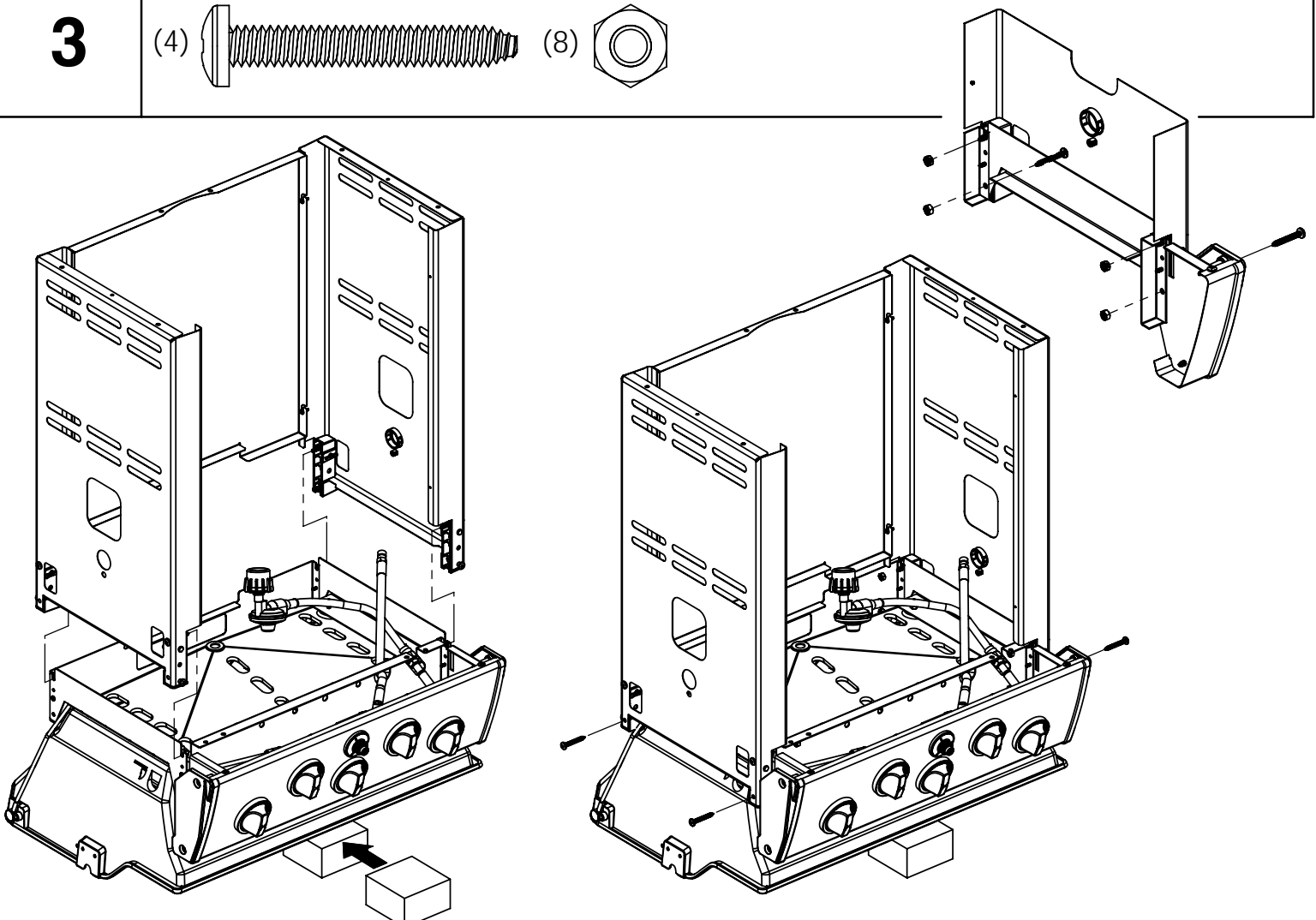
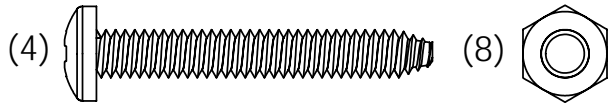
(2)



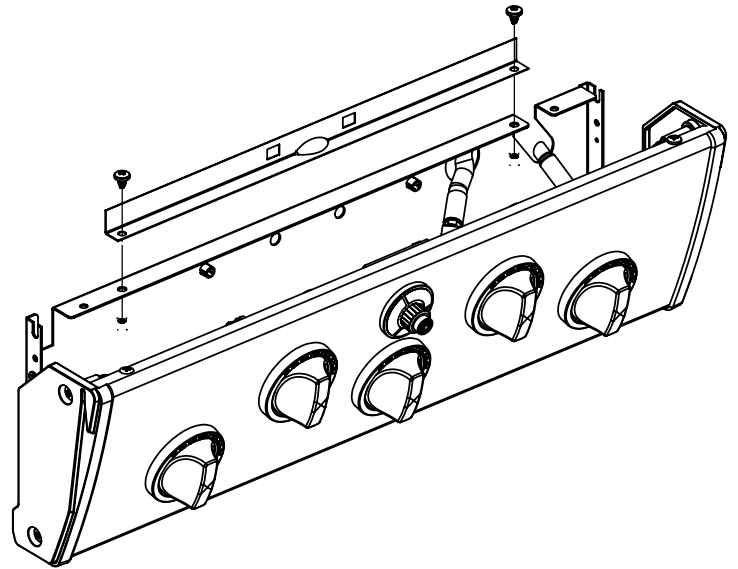
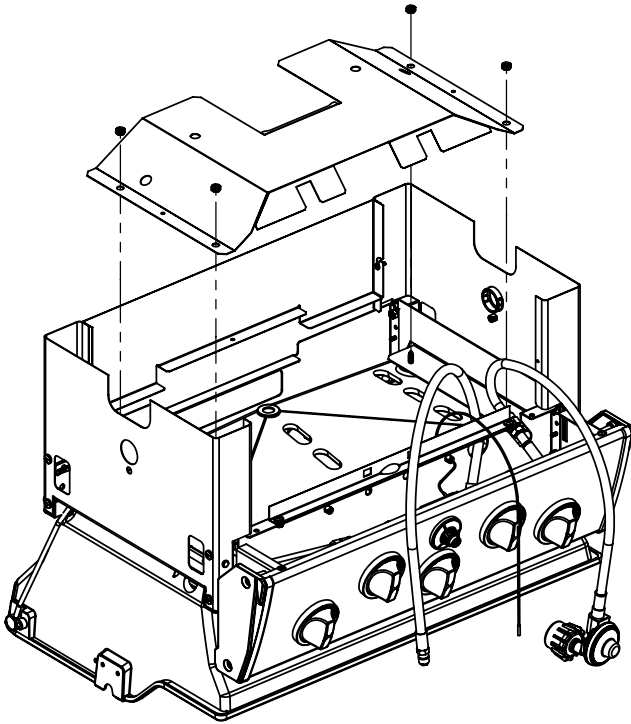
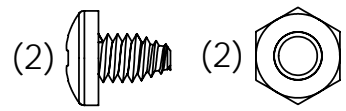
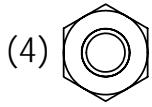
2



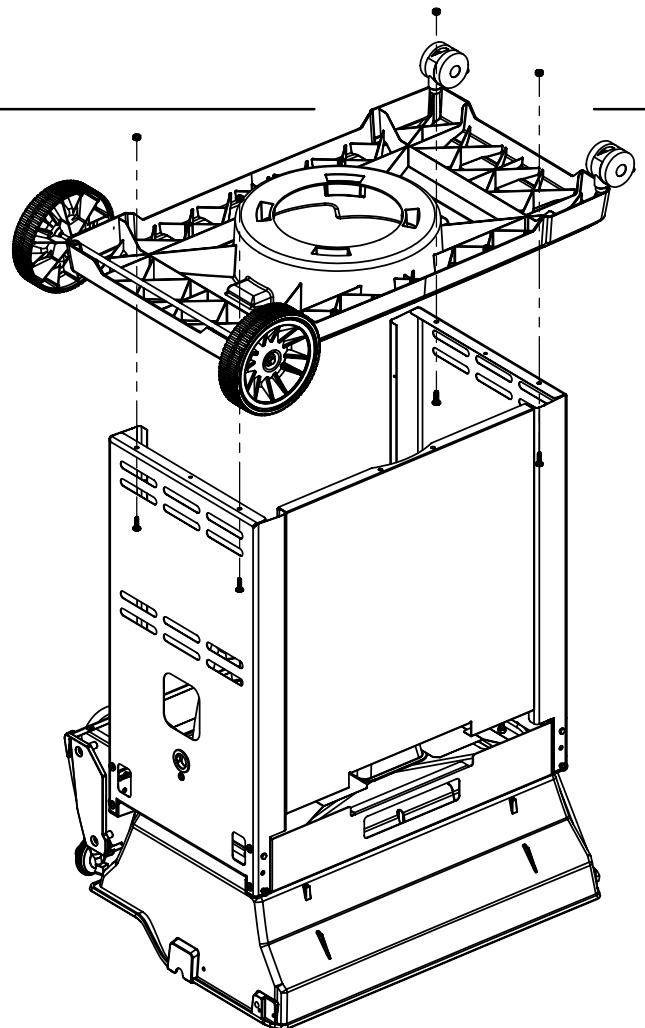
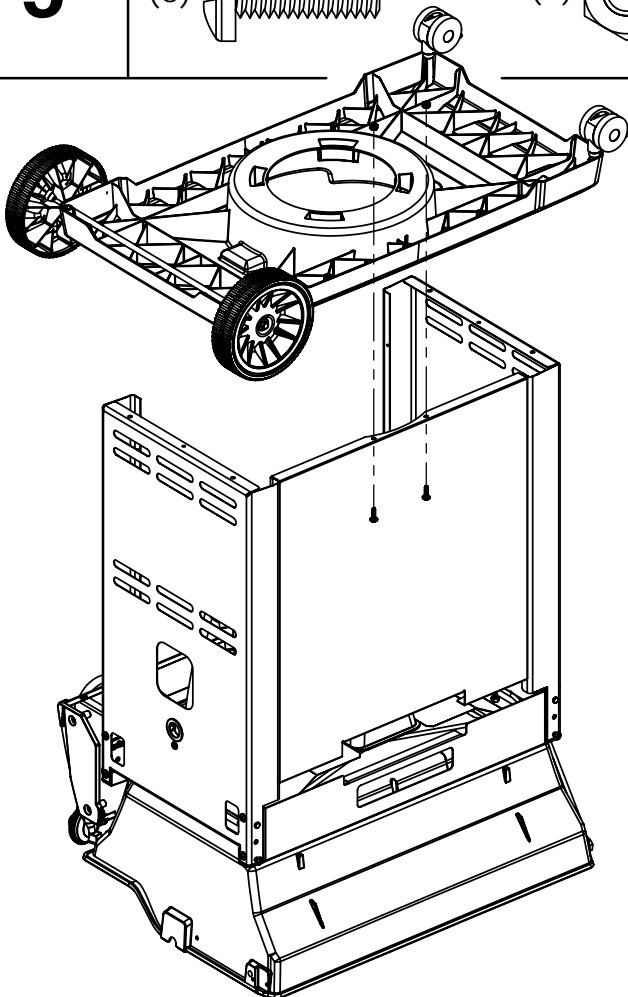
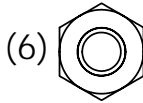
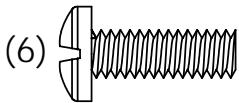
3



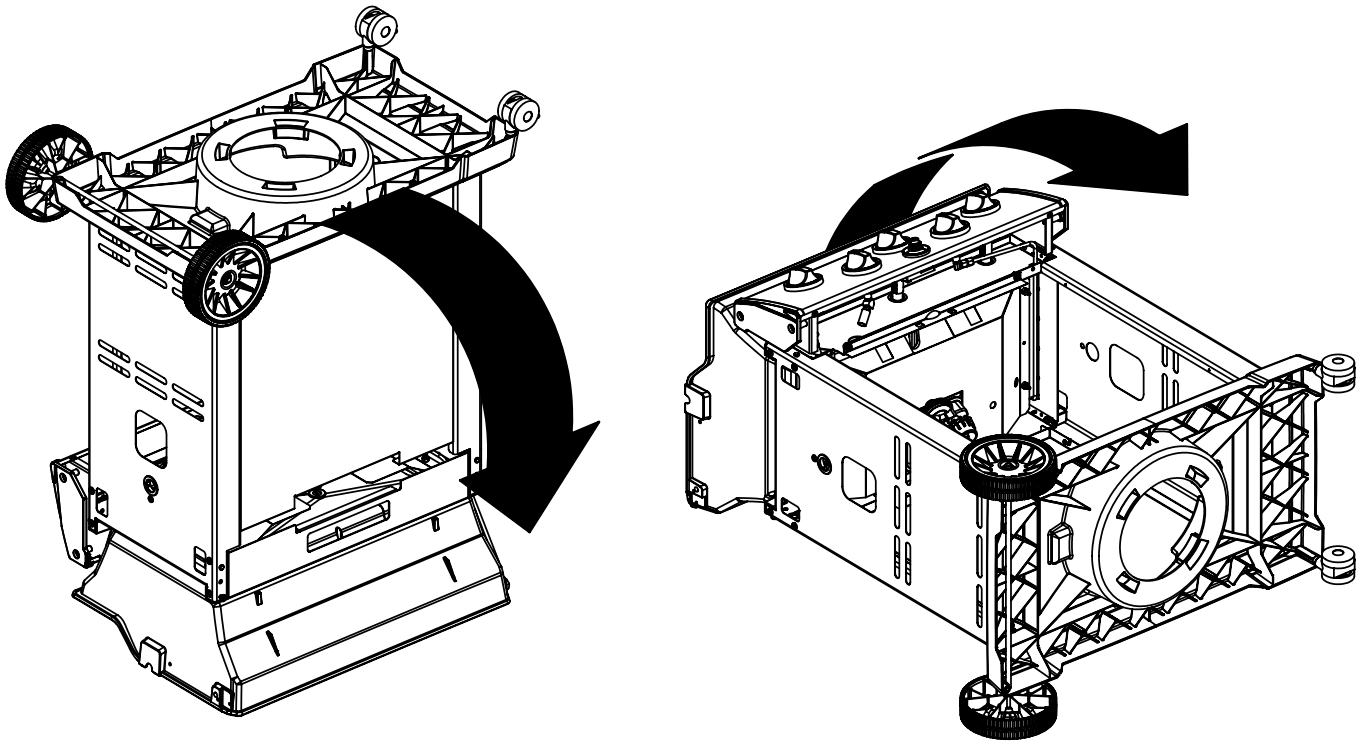
4



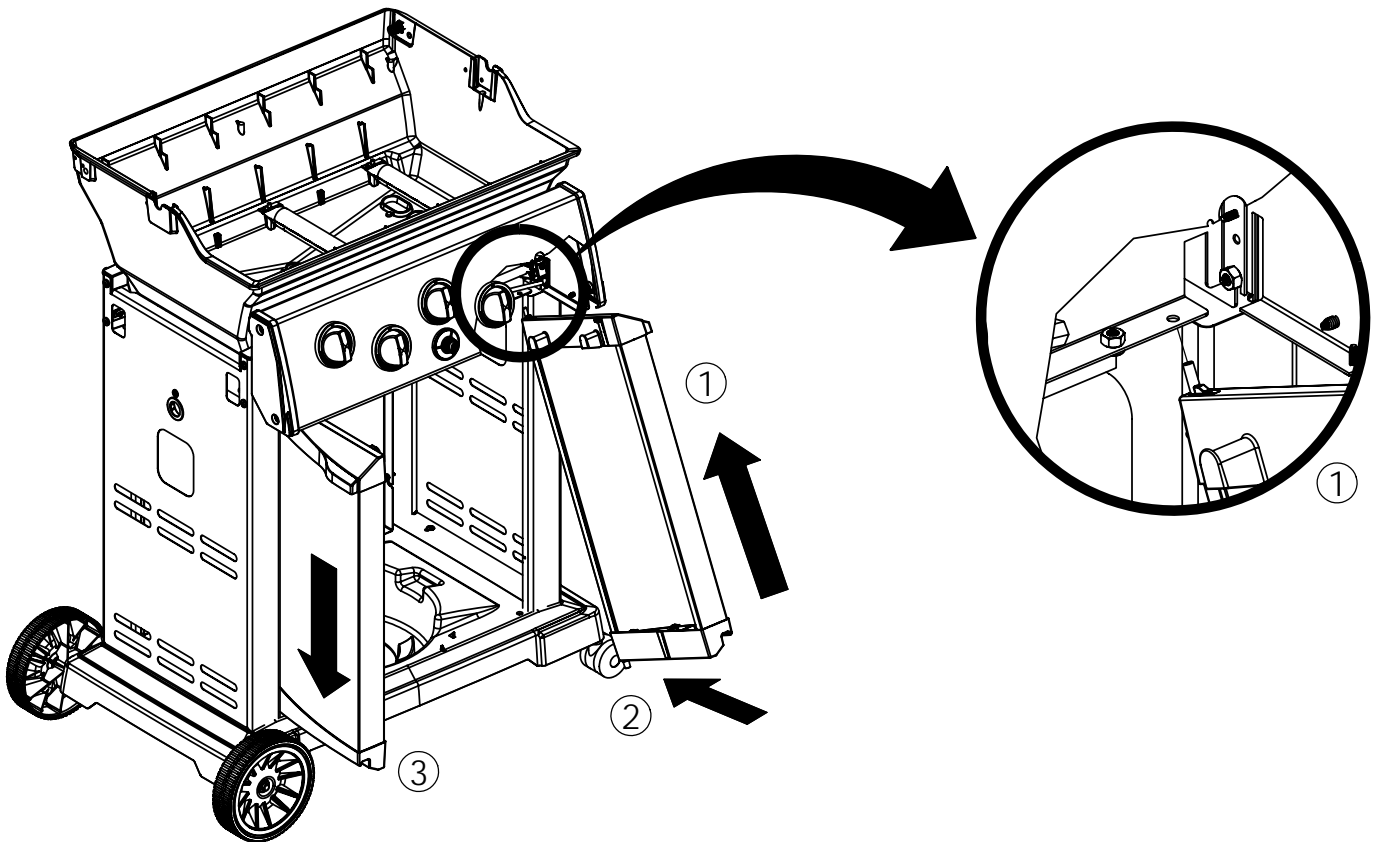
5



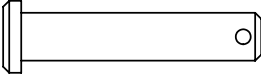
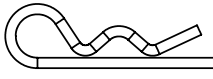
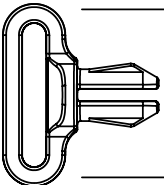
6

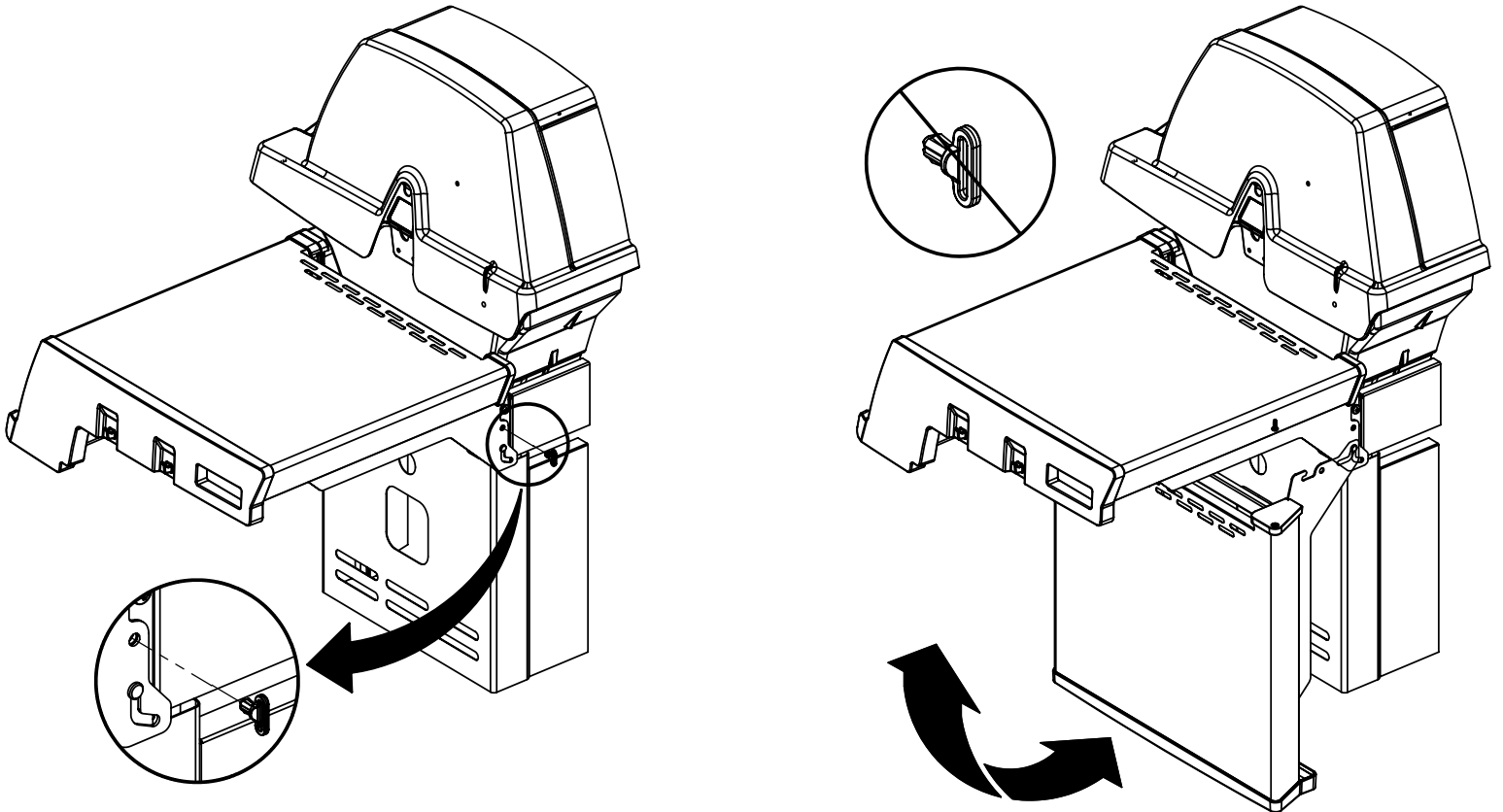
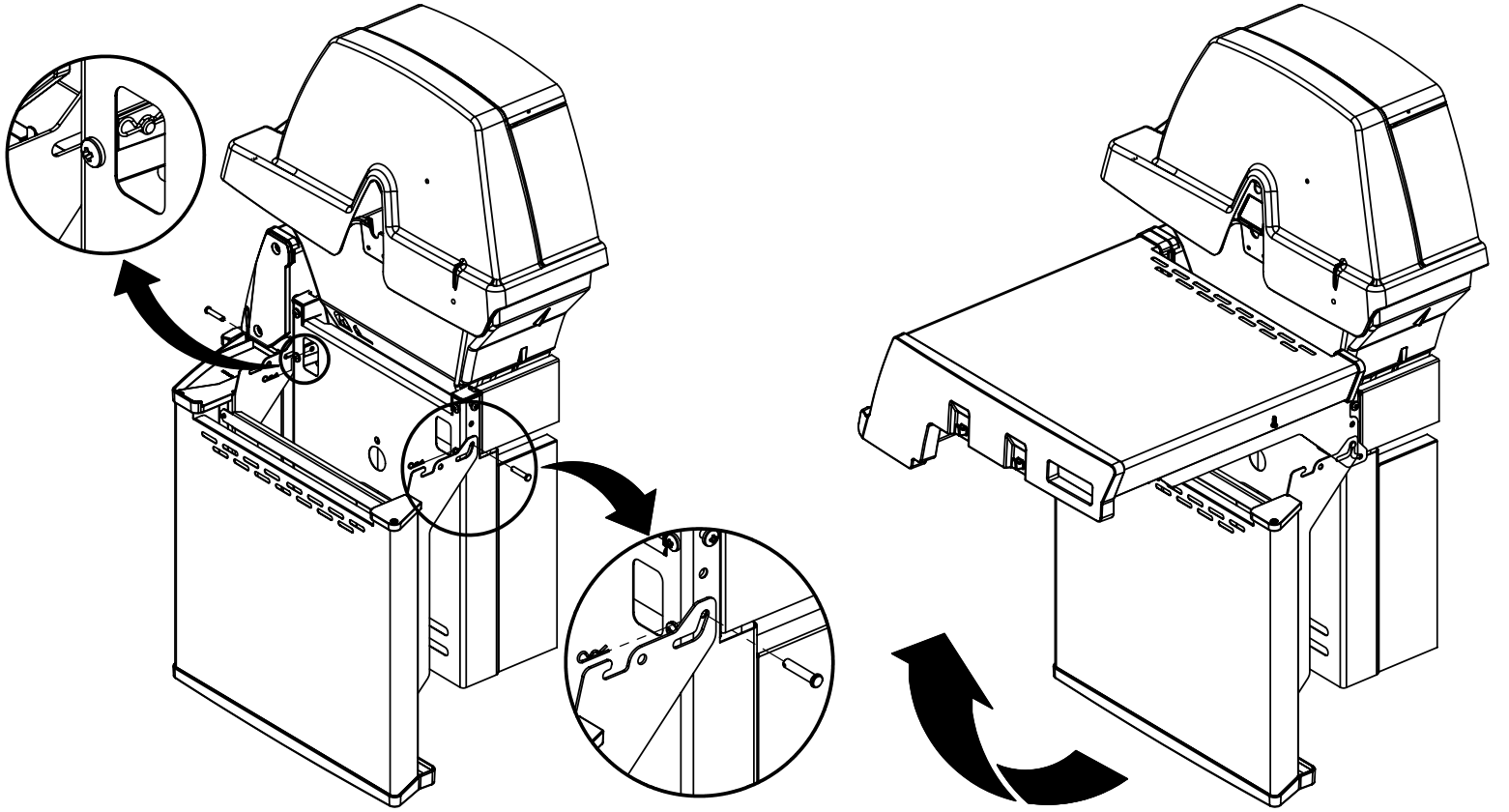


7

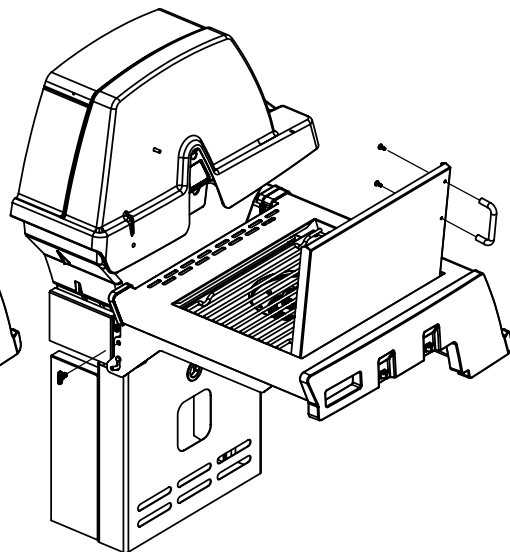
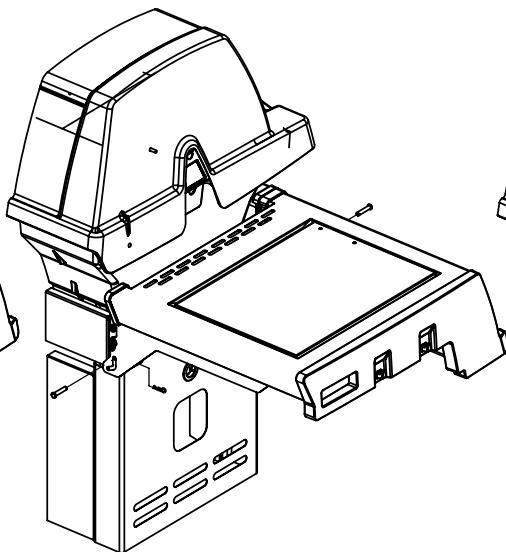
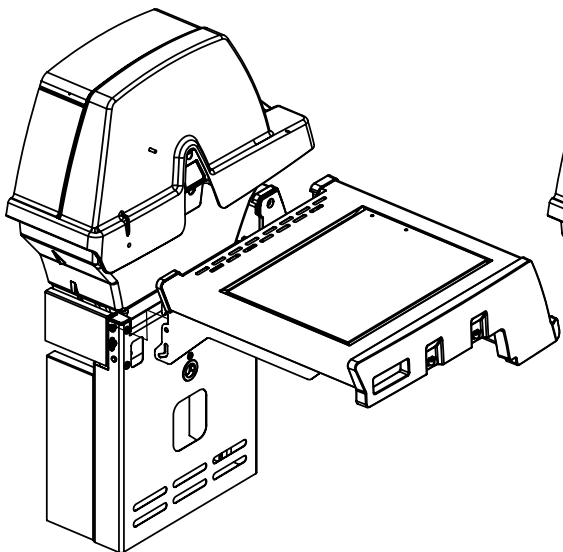
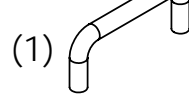
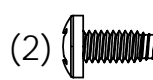
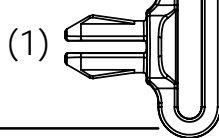
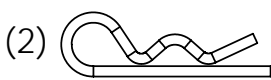
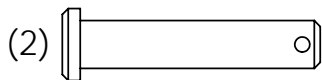


8

(2)  (2)  (1) 

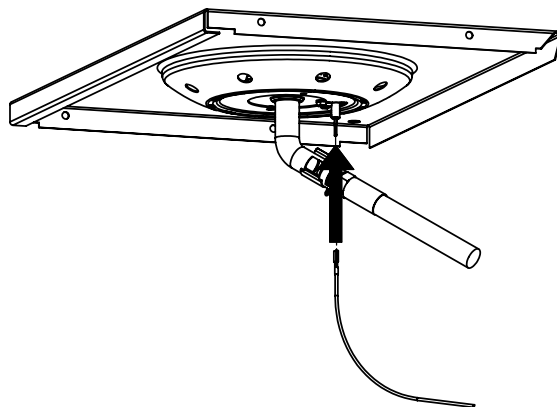
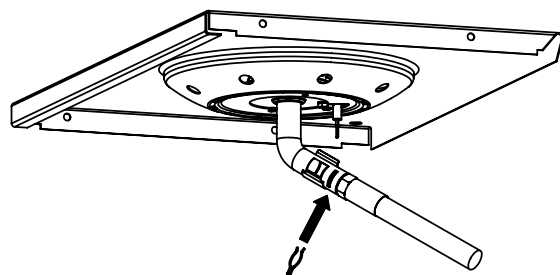
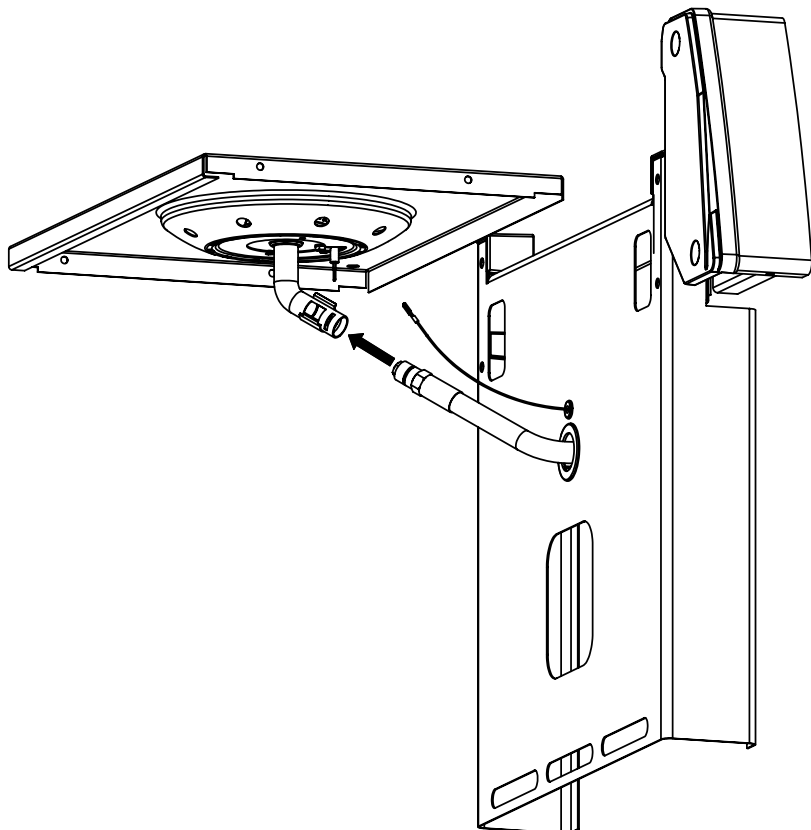
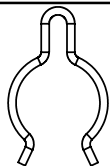


9

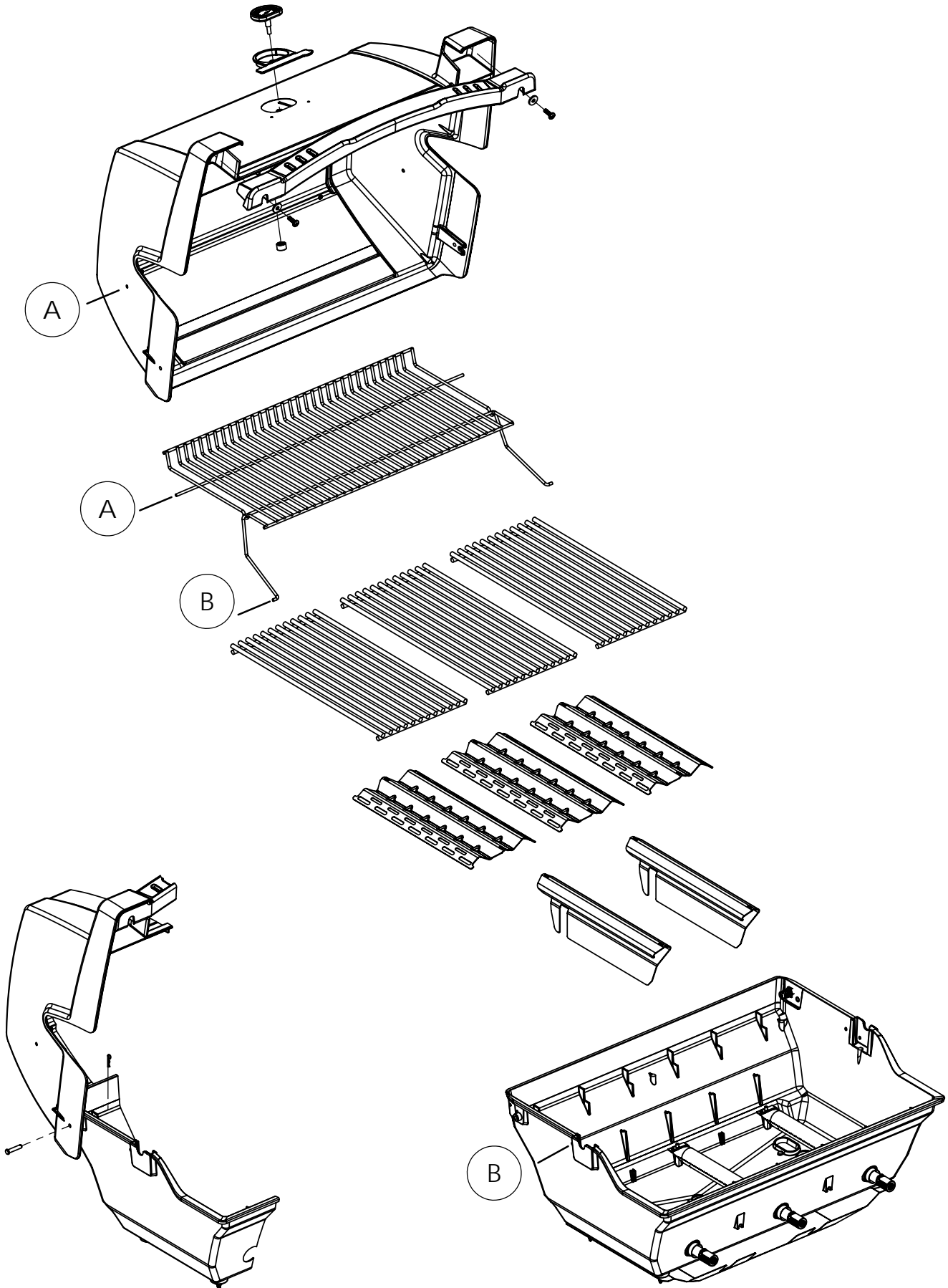
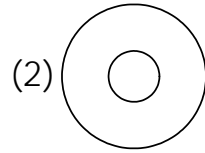
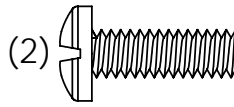
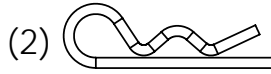
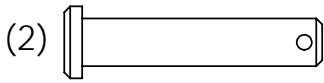


10

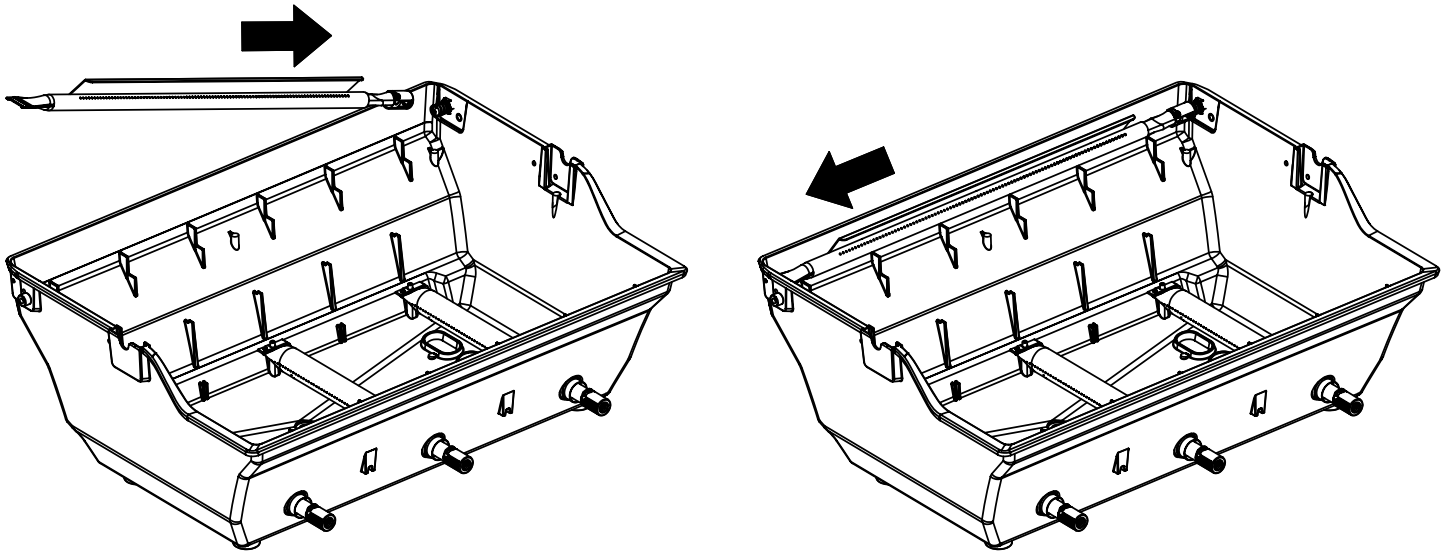
(1)



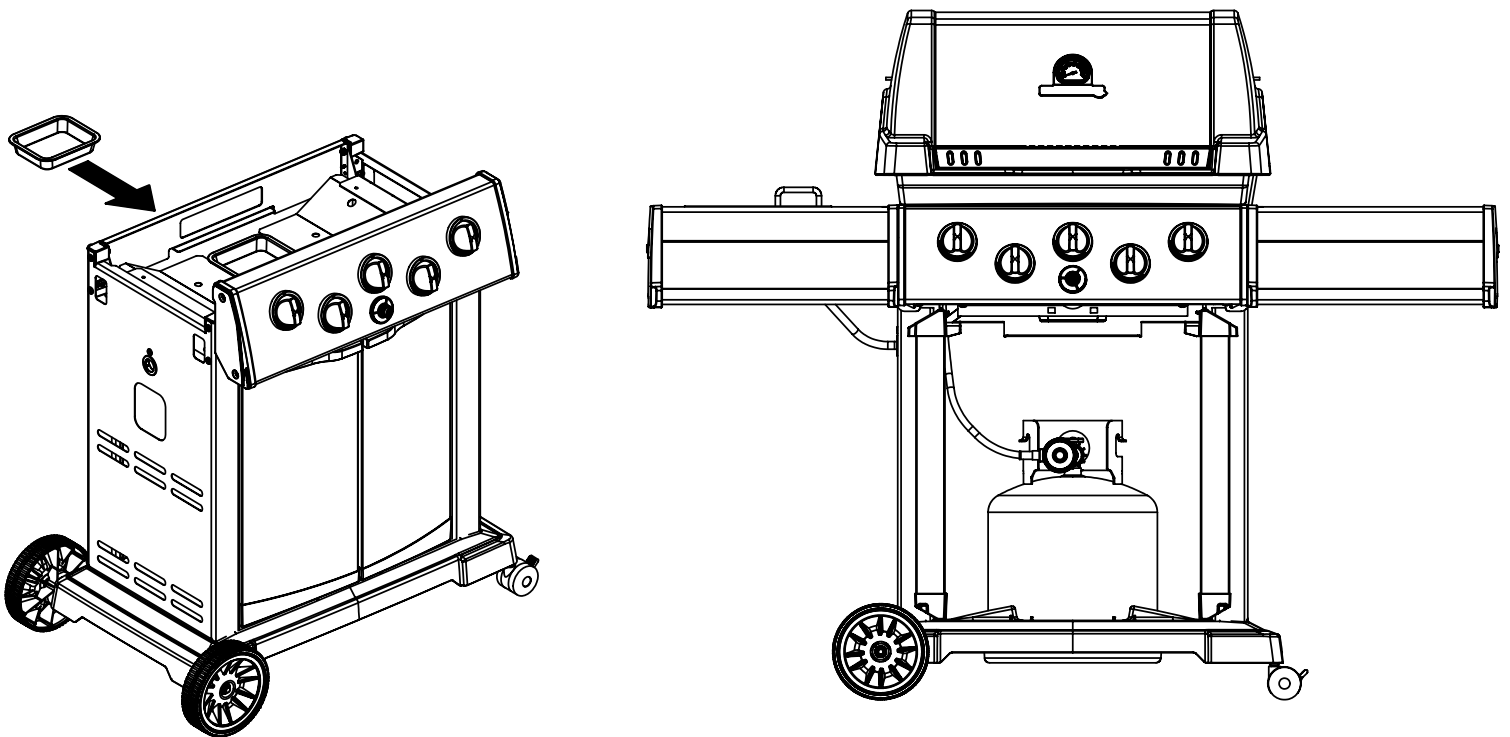
11



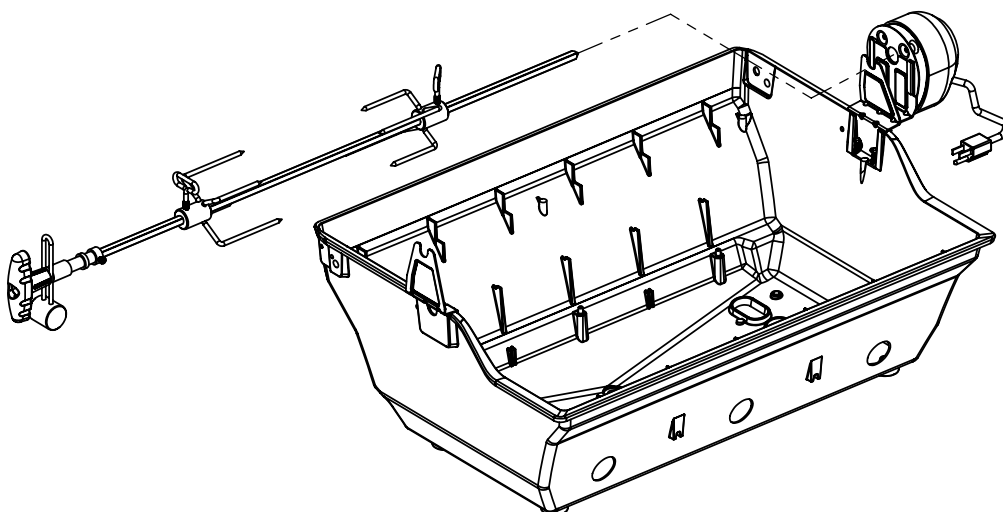
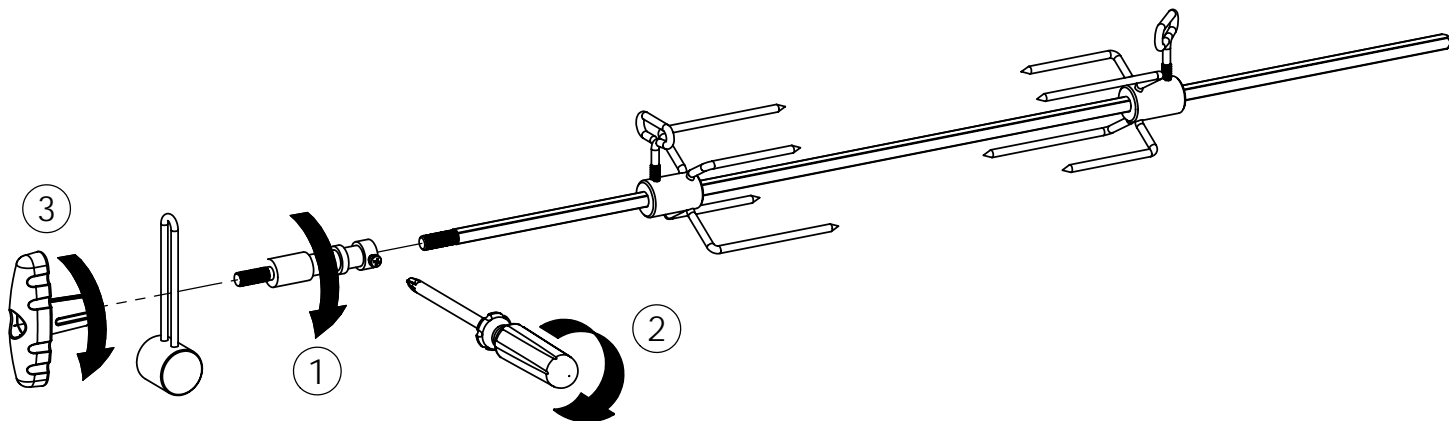
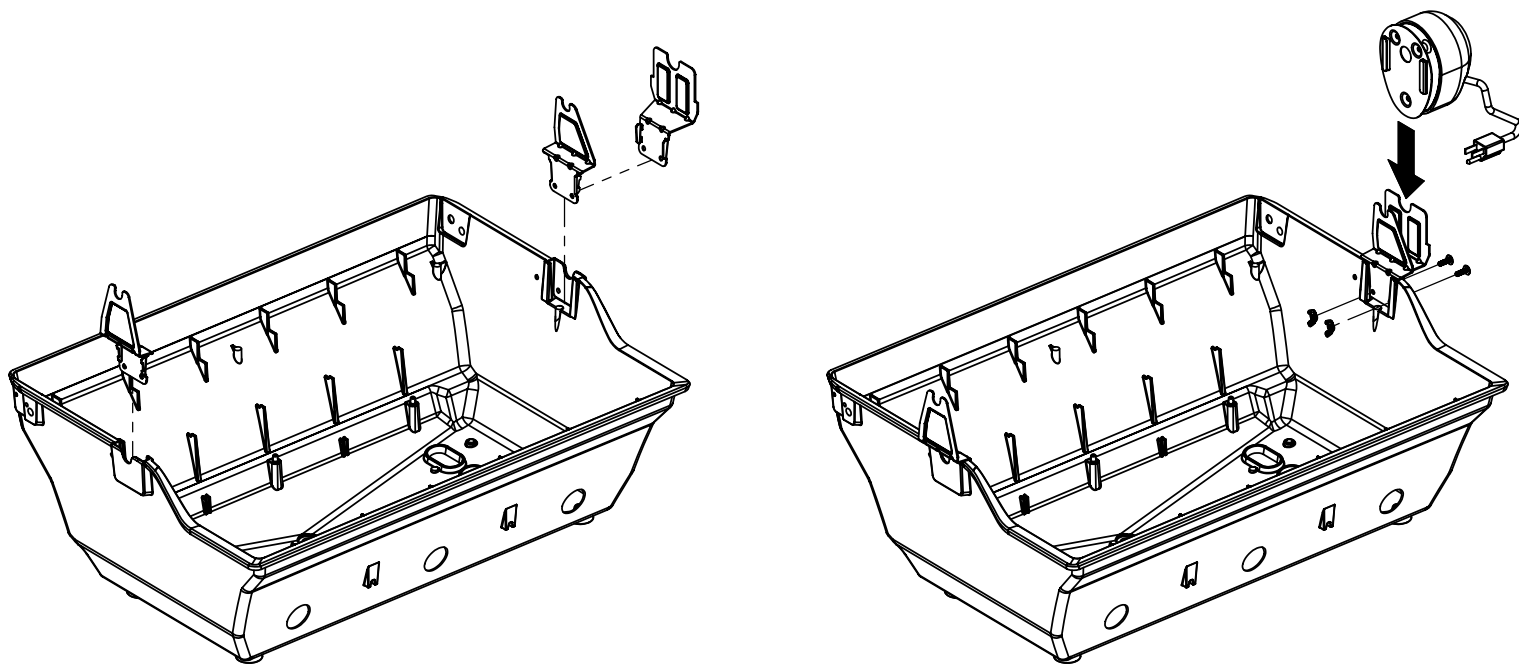
12



13



14



PARTS LIST / LISTE DES PIECES

| KEY # | ITEM # | DESCRIPTION | DESCRIPTION | 1867-24 | 1867-27 | 1867-44 | 1867-47 | 1867-84 | 1867-87 | 1877-44 | 1877-47 |
|-------|------------|--------------------------------|-------------------------------|---------|---------|---------|---------|---------|---------|---------|---------|
| 61 | 10711-E43 | EDGE CAP - SHELF - RIGHT REAR | PAC DE BORD | 1 | 1 | 1 | 1 | 1 | 1 | 1 | 1 |
| 62 | 10711-E45 | EDGE CAP - SHELF - RIGHT FRONT | PAC DE BORD | 1 | 1 | 1 | 1 | 1 | 1 | 1 | 1 |
| 63 | 10711-E48 | END CAP - SHELF - LEFT | MONTURE D'EMBOUIT | 1 | 1 | 1 | 1 | 1 | 1 | 1 | 1 |
| 64 | 10711-E44 | EDGE CAP - SHELF - LEFT REAR | PAC DE BORD | 1 | 1 | 1 | 1 | 1 | 1 | 1 | 1 |
| 65 | 10711-E46 | EDGE CAP - SHELF - LEFT FRONT | PAC DE BORD | 1 | 1 | 1 | 1 | 1 | 1 | 1 | 1 |
| 66 | S13005 | BURNER ROTISSERIE | BRULEUR A ROTISS | • | • | 1 | 1 | 1 | 1 | • | • |
| | S13015 | BURNER ROTISSERIE | BRULEUR A ROTISS | • | • | • | • | • | • | 1 | 1 |
| 68 | S21362 | SPRING | RESSORT | • | • | 1 | 1 | 1 | 1 | 1 | 1 |
| 70 | Y-11990 | HEX NUT | ECROU | • | • | 1 | 1 | 1 | 1 | 1 | 1 |
| 71 | 10696-109 | REARBURNER-ORIFICE LP | ORIFICE DU BRULEUR ARRIERE PL | • | • | 1 | • | 1 | • | • | • |
| | 10696-127 | REARBURNER-ORIFICE LP | ORIFICE DU BRULEUR ARRIERE PL | • | • | • | • | • | • | 1 | • |
| | 10696-160 | REARBURNER-ORIFICE NG | ORIFICE DU BRULEUR ARRIERE GN | • | • | • | 1 | • | 1 | • | • |
| | 10696-185 | REARBURNER-ORIFICE NG | ORIFICE DU BRULEUR ARRIERE GN | • | • | • | • | • | • | • | 1 |
| 73 | S21420 | PUSH NUT | POUSSE ECROU | 2 | 2 | 2 | 2 | 2 | 2 | 2 | 2 |
| 74 | S21084 | SCREW - #14 x 3/4 | VIS - #14 x 3/4 | 8 | 8 | 8 | 8 | 8 | 8 | 8 | 8 |
| 75 | 10338-400 | HANDLE | POIGNÉE | 1 | 1 | 1 | 1 | 1 | 1 | 1 | 1 |
| 75A | 10184-E701 | STRAP - HANDLE | COURROIE - POIGNÉE | 1 | 1 | 1 | 1 | • | • | 1 | 1 |
| | 10184-E704 | STRAP - HANDLE | COURROIE - POIGNÉE | • | • | • | • | 1 | 1 | • | • |
| 76 | S21255 | WASHER | RONDELLE | 2 | 2 | 2 | 2 | 2 | 2 | 2 | 2 |
| 78 | 10892-15 | CASTOR | ROULETTES | 2 | 2 | 2 | 2 | 2 | 2 | 2 | 2 |
| 79 | Y-11561 | BOLT - 1/4:20 x 1 3/4 | BOULON - 1/4:20 X 1 3/4 | 8 | 8 | 8 | 8 | 8 | 8 | 8 | 8 |
| 80 | Y-11546 | SCREW - 1/4-20 X 5/8 | VIS - 1/4-20 X 5/8 | 4 | 4 | 4 | 4 | 4 | 4 | 4 | 4 |
| 81 | Y-11545 | SCREW - 1/4-20 X 1 3/8 | VIS - 1/4-20 X 1 3/8 | 4 | 4 | 4 | 4 | 4 | 4 | 4 | 4 |
| 82 | Y-12673 | SHELF - LOCK PIN | ÉTAGÈRE - GOUPILLE DE SERRURE | 2 | 2 | 2 | 2 | 2 | 2 | 2 | 2 |
| 82A | Y-12855 | BOLT - 1/4-20 X 3/8 | BOULON - 1/4-20 X 3/8 | 2 | 2 | 2 | 2 | 2 | 2 | 2 | 2 |
| 83 | Y-12310 | BOLT - 1/4-20 X 3/4 | BOULON - 1/4-20 X 3/4 | 8 | 8 | 8 | 8 | 8 | 8 | 8 | 8 |
| 84 | S15170 | AXLE | ESSIEU | 1 | 1 | 1 | 1 | 1 | 1 | 1 | 1 |
| 87 | Y-11793 | NUT - 1/4-20 | ECROU - 1/4-20 | 20 | 20 | 20 | 20 | 20 | 20 | 20 | 20 |
| 88 | Y-11560 | BOLT - 1/4:20 x 1 1/2 | BOULON - 1/4:20 X 1 1/2 | 4 | 4 | 4 | 4 | 4 | 4 | 4 | 4 |
| 96 | S21125 | SCREW - 8 X 1/2 | VIS - 8 X 1/2 | 4 | 4 | 4 | 4 | 4 | 4 | 4 | 4 |
| 98 | S21124 | SCREW - 8 X 1/2 | VIS - 8 X 1/2 | 24 | 24 | 25 | 25 | 25 | 25 | 25 | 25 |
| 98A | Y-12643 | SCREW - 8 X 1/2 | VIS - 8 X 1/2 | 12 | 12 | 12 | 12 | 12 | 12 | 12 | 12 |
| 99 | Y-12646 | SCREW - SHOULDER 8 X 1/2 | VIS - 8 X 1/2 | 2 | 2 | 2 | 2 | 2 | 2 | 2 | 2 |
| 104 | Y-12835 | SCREW - 6-32 X 1/4 | VIS - 6-32 X 1/4 | 2 | 2 | 2 | 2 | 2 | 2 | 2 | 2 |
| 105 | Y-29307 | NUT - 10-24 | ECROU - 10-24 | 4 | 4 | 4 | 4 | 4 | 4 | 4 | 4 |
| 108 | PB20-60 | LID HANDLE | POIGNEE | 1 | 1 | 1 | 1 | 1 | 1 | 1 | 1 |
| 109 | S21136 | SCREW - 8-32 X 3/8 | VIS - 8-32 X 3/8 | 2 | 2 | 2 | 2 | 2 | 2 | 2 | 2 |
| 110 | 10225-T10 | GRID | GRILLE | 1 | 1 | 1 | 1 | 1 | 1 | 1 | 1 |
| 111 | 10390-E10 | SIDE BURNER | BRULEUR DE COTE | 1 | 1 | 1 | 1 | 1 | 1 | 1 | 1 |
| 113 | 10342-T16 | ELECTRODE - SIDE BURNER | ELECTRODE - BRULEUR DE COTE | 1 | 1 | 1 | 1 | 1 | 1 | 1 | 1 |
| 114 | 10393-K40 | COVER-SIDE BURNER | COUVERCLE LATÉRAL | 1 | 1 | 1 | 1 | 1 | 1 | 1 | 1 |
| 115 | Y-29304 | SCREW - 10-24 X 3/8 | VIS - 10-24 X 3/8 | 4 | 4 | 4 | 4 | 4 | 4 | 4 | 4 |
| 117 | 10393-R50 | SHELF-SIDE BURNER | SUPPORT DE BRULEUR DE COTE | 1 | 1 | 1 | 1 | 1 | 1 | 1 | 1 |
| 123 | S15115 | GREASE PAN - DISPOSABLE | CUVETTE A GRAISSE | 1 | 1 | 1 | 1 | 1 | 1 | 1 | 1 |
| 125 | Y-12220 | BUSHING | DOUILLE | 1 | 1 | 1 | 1 | 1 | 1 | 1 | 1 |
| 135 | Y-12119 | 3/8 HEYCO BUSHING | DOUILLE DE 3/8 HEYCO | 3 | 3 | 3 | 3 | 3 | 3 | 3 | 3 |
| 136 | 10184-E43 | ROTISSERIE SHIELD | BOUCLIER DE ROTISSERIE | 1 | 1 | 1 | 1 | 1 | 1 | 1 | 1 |
| 137 | 10184-E42 | ROTISSERIE BRACKET | CROCHET DE ROTISSERIE | • | • | 1 | 1 | 1 | 1 | 1 | 1 |
| 138 | 10184-E44 | ROTISSERIE SHIELD | BOUCLIER DE ROTISSERIE | 1 | 1 | 1 | 1 | 1 | 1 | 1 | 1 |
| 139 | S21061 | WING NUT | ECROU PAPILLON | • | • | 2 | 2 | 2 | 2 | 2 | 2 |
| 140 | Y-29306 | BOLT - 10-24 x 5/8 | BOULON - 10-24 x 5/8 | • | • | 2 | 2 | 2 | 2 | 2 | 2 |
| 141 | S15271 | ROTISSERIE HANDLE | POIGNEE DE ROTISSERIE | • | • | 1 | 1 | 1 | 1 | 1 | 1 |
| 142 | S15270 | ROTISSERIE COUNTER WEIGHT | CONTREPOIDS DE ROTISSERIE | • | • | 1 | 1 | 1 | 1 | 1 | 1 |
| 143 | S15279 | ROTISSERIE EXTENSION | RALLONGE | • | • | 1 | 1 | 1 | 1 | 1 | 1 |
| 144 | S15287 | ROTISSERIE FORKS | FOURCHETTE DE ROTISSERIE | • | • | 2 | 2 | 2 | 2 | 2 | 2 |
| 145 | S15256 | SPIT ROD | BROCHETTE | • | • | 1 | 1 | 1 | 1 | 1 | 1 |
| 146 | S15236 | ROTISSERIE MOTOR | MOTEUR DE ROTISSERIE | • | • | 1 | 1 | 1 | 1 | 1 | 1 |

