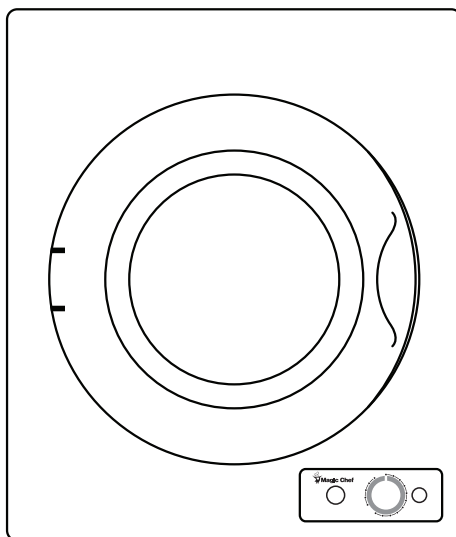




2.6 Cu. Ft. Compact Dryer

User's Manual



Model MCSDRY1S

**PLEASE READ THIS MANUAL CAREFULLY BEFORE USING YOUR
COMPACT DRYER AND KEEP IT FOR FUTURE REFERENCE.**

PRODUCT REGISTRATION

Thank you for purchasing a Magic Chef® product. The first step to protect your new product is to complete the product registration on our website: www.mcappliance.com/register. The benefits of registering your product include the following:

1. Registering your product will allow us to contact you regarding a safety notification or product update.
2. Registering your product will allow for more efficient warranty service processing when warranty service is required.
3. Registering your product could act as your proof of purchase in the event of insurance loss.

Once again, thank you for purchasing a Magic Chef® product.

CONTENTS

- 02 PRODUCT REGISTRATION
- 04 PRECAUTIONS
- 05 IMPORTANT SAFETY INSTRUCTIONS
- 06 INSTALLATION
- 09 SPECIFICATIONS
- 10 PARTS AND FEATURES
- 11 OPERATION
- 15 CARE AND MAINTENANCE
- 17 TROUBLESHOOTING
- 18 WARRANTY

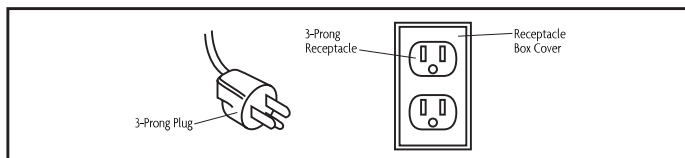
PRECAUTIONS

READ THIS GUIDE CAREFULLY

The user guide is intended to help you operate and maintain your new appliance properly. Keep it handy to answer your questions. If you do not understand certain aspects or you need additional help, please call Magic Chef® Customer Service: 1-888-775-0202. Keep proof of the original purchase date (i.e. sales receipt) with this guide to establish the warranty period.

GROUNDING INSTRUCTIONS

This appliance must be grounded. In the event of an electrical short circuit, the grounding plug reduces the risk of electric shock by providing an escape wire for electric current. This appliance is equipped with a power cord that has a grounding wire with a grounding plug. The plug must be plugged into an electrical outlet that is properly installed and grounded.



This appliance requires a standard 120 Volt, 60 Hz electrical outlet with a 3-prong ground receptacle. To prevent accidental injury, the cord should be secured behind the appliance and not left exposed or dangling.

WARNING: Improper use of the grounding plug and/or outlet can result in a risk of electric shock. Consult a qualified electrician or serviceman if the grounding instructions are not completely understood, if doubt exists as to whether the appliance is properly grounded, or either:

- If it is necessary to use an extension cord, use only a 3-wire extension cord that has a 3-blade grounding plug, and a 3-slot receptacle that will accept the plug on the appliance. The marked rating of the extension cord shall be equal to or greater than the electrical rating of the appliance.
- If the power supply cord is too short, have a qualified electrician or serviceman install an outlet near the appliance.

WARNING: DO NOT cut or remove the third (ground) prong from the power cord under any circumstances.

IMPORTANT SAFETY INSTRUCTIONS

WARNING: To reduce the risk of fire, electric shock, and/or injury to persons, basic safety precautions should always be followed when using electrical appliances.

When using electrical appliances, basic safety precautions should be followed, including the following:

1. Read all instructions before using the appliance.
2. Risk of child entrapment and suffocation; never allow children to operate, play with, or crawl inside the appliance.
3. This appliance must be grounded. Connect only to a properly grounded outlet. See the "GROUNDING INSTRUCTIONS" section found on page 4.
4. Install or locate the appliance only in accordance with the provided installation instructions.
5. DO NOT place the dryer in steamy rooms or where the dryer is directly exposed to rain. Moisture may destroy the electrical insulation causing an electrical shock hazard.
6. Use the dryer only for its intended use as described in the user guide. This type of dryer is specifically designed to dry clothes. It is not designed for industrial or laboratory use.
7. As with any appliance, close supervision is necessary when used around children or incapacitated persons.
8. DO NOT operate the dryer if it has a damaged power cord or plug, if it is not working properly, or if it has been damaged or dropped in any manner.
9. The dryer should be serviced only by qualified service personnel. Contact the nearest authorized service facility for examination, repair, or adjustment.
10. DO NOT cover or block any openings on the appliance.
11. DO NOT put your hand in the spin basket during operation. The spin basket is rotating at a high speed and the rotating parts may cause injury to your hand.
12. DO NOT immerse the power cord or plug in water.
13. Keep the cord away from all heated surfaces.
14. DO NOT store or use gasoline or any other flammable vapors and liquids in the vicinity of this or any other appliance. The fumes can create a fire hazard or explosion.
15. When cleaning the surfaces of the door and the frame, use only mild, nonabrasive soaps or detergents applied with a sponge or soft cloth. Never clean appliance parts with flammable fluids. The fumes can create a fire hazard or explosion.

SAVE THESE INSTRUCTIONS

INSTALLATION

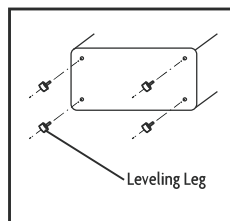
LOCATION

1. Examine the dryer after unpacking. Check for damage such as a misaligned door, broken door or dent in the cavity. If any damage is visible, DO NOT install, and notify your dealer immediately.
2. Check to ensure that you have the wall-mounting kit and four (4) leveling legs.
3. Install the dryer on a flat, level surface. If the surface is uneven, adjust the leveling legs. If you are going to wall mount your dryer, use the included wall-mounting kit.
4. Install the dryer away from direct sunlight; direct sunlight may affect the acrylic coating, plastic and electrical components. The room temperature should not fall below 32°F.
5. Check the ventilation. DO NOT block the air vents, especially when the dryer is installed on a carpeted floor. If the air vents are blocked during operation, the dryer may overheat and eventually fail. For proper ventilation, allow at least 5 inches of space between the dryer top, sides, rear, and adjacent surfaces.
6. Install the dryer away from heating appliances and water taps. Keep the dryer away from heat, steam, or splashing liquids. Never splash water onto the control panel. These things can adversely affect the wiring and electrical conduction contacts of the dryer.
7. Check the power supply.
 - a) Check your local power source. The dryer requires a current of approximately 12 Amperes, 120 Volts, and a 60 Hz grounded outlet.
 - b) A short power-supply cord is provided to reduce the risks resulting from becoming entangled in or tripping over a longer cord. Ensure that the dryer does not stand on its power cord.
 - c) Use of an extension cord is not recommended. If an extension cord is used:
 - The marked electrical rating of the cord set or extension cord should be at the very least equal to the electrical rating of the appliance.
 - The extension cord must be a grounding type, 3-wire cord.
 - A longer cord should be arranged so that it will not drape over the appliance where it can be pulled on by children or tripped over unintentionally.
 - d) Plug the dryer into a properly installed receptacle box that is fully grounded. DO NOT under any circumstances modify, cut or remove the third (ground) prong from the power cord. Any questions concerning power and/or grounding should be directed toward a certified electrician or an authorized service center.

ADJUSTING THE LEVELING LEGS

The dryer is shipped with a bag containing the user guide and four (4) leveling legs. See the illustration to the right to install and adjust the leveling legs.

If the dryer is placed on an uneven or weak surface, noise or vibrations will occur from the appliance. If the floor is uneven, adjust the height level of the leveling legs accordingly. **DO NOT** insert pieces of wood or any other objects under the legs.

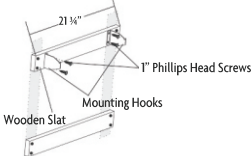
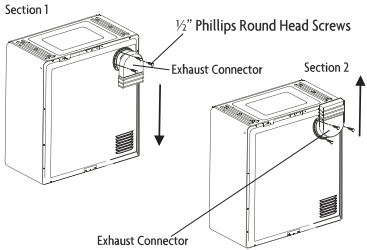
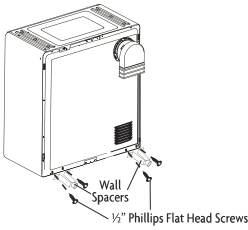
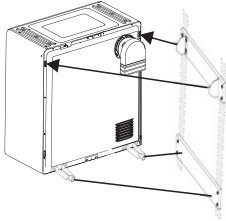


WALL-MOUNTING INSTRUCTIONS

Tools and Parts Required for Plaster and/or Wood Installation (Not Included)	
Drill & Drill Bit	1
Phillips Head Screwdriver	1
Expanding Wall Anchor	8
Wooden Slats	2

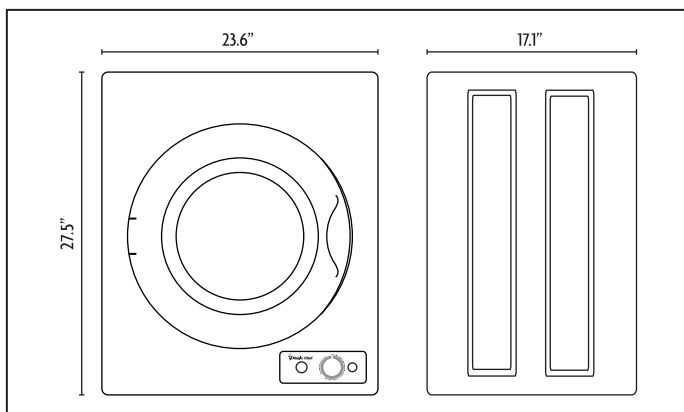
Wall-Mounting Kit Includes	
Wall-Mounting Hooks	2
1" Phillips Head Screws	4
Plastic Spacers	2
½" Phillips Flat Head Screws	4
Exhaust Connector	1
½" Phillips Round Head Screws	3

Wall-Mounting Instructions	
* NOTE: It is recommended to complete the following procedure with at least 2 people. NOTE: As wall materials vary, the supplied hardware for fixing to the wall may be inappropriate for your wall type. Consult your local hardware / home improvement center for suggestions on the necessary hardware for your particular wall type.	
1	<p>Determine the position where you will be installing the mounting hooks.</p> <ul style="list-style-type: none"> This dryer is not designed to sit on top of your washing machine. A minimum of 2 inches is required between the top of the dryer and the ceiling above to allow easy installation and adequate spacing for exhaust. <p>If mounting above a top load washing machine, allow sufficient spacing to open the lid of the washer. In the case of a front loading washer, allow sufficient breathing space.</p>
2	<p>Although the supplied mounting hooks can be installed directly to the wall using the existing wooden studs, the preferred method of installation is using wooden slats that provide a flat, level installation surface and added stability to the whole wall installation.</p>
3	<p>Use two wooden slats (not included) between the studs to mount the hooks. Recommended wooden slat size is 23" (L) x 3½" (H) x 1" (D).</p> <p>When using the wooden slats to install on drywall material, you must use expansion wall anchor bolts to safely secure the slats to the drywall.</p>

4	<p>Install the wall-mounting hooks to the wooden slats installed in the previous step.</p> <p>Using the (4) 1" Phillips head screws included, affix the mounting hooks to the wooden slats as shown in the diagram to the right.</p>	
5	<p>Install the exhaust connector as shown in the illustration using the (3) 1/2" long Phillips round head screws included.</p> <ul style="list-style-type: none"> For a downward exhaust, join the sections (1) pointing downward. For an upward exhaust, join the sections (2) pointing upward 	
6	<p>Install the lower wall spacers (included) using the (4) 1/2" long Phillips flat head screws (included).</p> <p>These spaces are required when installing the unit on the wall to allow the necessary ventilation for efficient operation.</p> <p>Failure to install the spacers will both reduce the ventilation needed to operate your unit as well as put the appliance in a tilted position on the wall which could present a possible unstable wall installation.</p>	
7	<p>Mounting the dryer to the wall hanging assembly.</p> <p>With the assistance of a 2nd person, lift the dryer and align the mounting holes at the rear of the dryer with the mounting hooks.</p> <p>Tilting the dryer to a 45° angle, insert the hanging brackets into the mounting holes on the dryer as shown in the figure to the right.</p> <p>Once the dryer mounts are in place, slowly lower the dryer in place and check all installation points for stress or weakened contact.</p>	

SPECIFICATIONS

Power Supply	120V AC, 60Hz
Capacity	2.6 cu. ft.
Unit Dimensions	23.6" x 27.5" x 17.1" (W x H x D)
Net Weight	48.4 lbs.



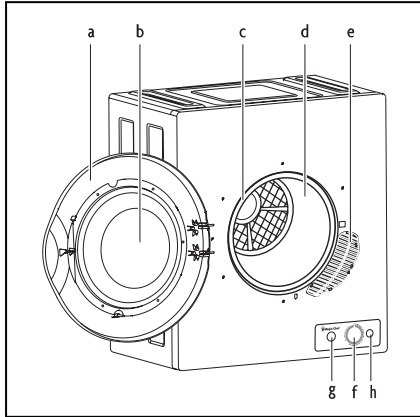
* Due to continuing product development, specifications and design may be subject to change without prior notice.

PARTS AND FEATURES

FRONT

The appearance of your model may slightly differ from the illustrations in this manual.

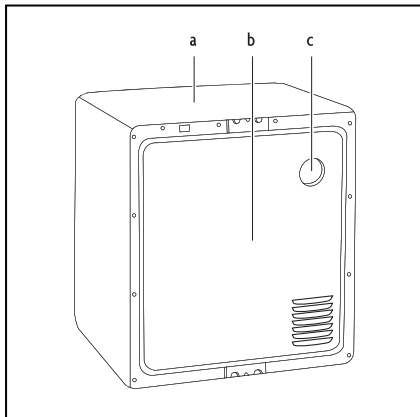
- a. Door
- b. Window
- c. Door Gasket
- d. Drum
- e. Air Intake Shroud
- f. Timer
- g. Sensor Dry
- h. Mode



BACK

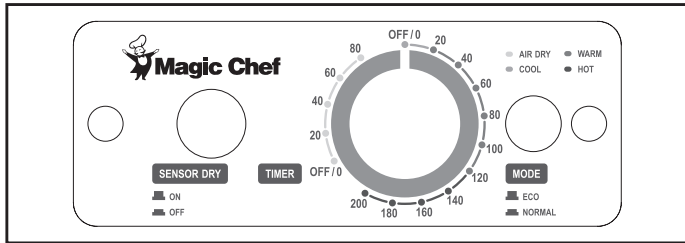
The appearance of your model may slightly differ from the illustrations in this manual.

- a. Dryer Housing
- b. Back Cover
- c. Exhaust Vent



OPERATION

CONTROL PANEL



MODE SELECTOR

NORMAL: By default, the dryer operates under the 'NORMAL' mode (the mode button is pressed/pushed in), in combination with the presets, 'SENSOR DRY' and 'TIMER', for optimal drying performance. The 'SENSORY DRY' function can be turned 'ON' or 'OFF', while the 'TIMER' function can be adjusted to your drying needs by using the dial and temperature guidelines.

ECO: The dryer operates using an energy-saving mode, independent of the 'SENSOR DRY' and the 'TIMER' functions. The dryer will automatically run in 'ECO' mode for a total duration of 270 minutes. The dryer will begin air drying the laundry for 150 minutes with cool air, followed by another 120 minutes using hot air by activating the heating element. Simply open and load the dryer, close the door, then depress the 'Mode' button, and the dryer will run in the 'ECO' mode.

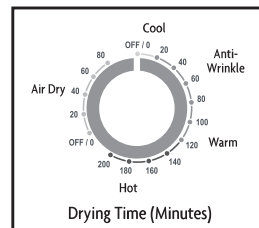
SENSOR DRY SELECTOR

ON: When the drying time reaches 120 minutes, the sensor dry function measures the moisture and humidity levels during the cycle and automatically adjusts the heating time for a more efficient drying performance. As a result, the dryer may stop generating heat in advance of the 'TIMER' preset, but the preset cycle continues by pushing cool air until the drying time finishes in the 'OFF/O' position.

OFF: The dryer operates according to the time set by the 'TIMER' until the preset finishes in the 'OFF/O' position.

TIMER SETTING

- **OFF:** When the 'TIMER' is in the 'OFF/O' position, power is not supplied to the unit. Turning the dial clockwise to the desired program will start the dryer.
- **COOL:** This setting is generally used to cool items that have just been dried to help prevent creasing. It will generate cool air, instead of the motor pushing heat into the drum of the dryer.



- **ANTI-WRINKLE:** For laundry loads that are difficult to iron (e.g. cotton shirts and linen), set the 'TIMER' between 30-60 minutes, depending on the load size. Once the cycle stops, the items will still contain moisture, thereby making the ironing process easier.
- **WARM:** This setting is used to dry and cool, and depending on the material, leave items wrinkle free. Set the 'TIMER' by turning the dial clockwise between 60-150 minutes.
- **HOT:** This setting is used for drying large quantities or bulky items (i.e. the dryer drum is more than 1/2 full). Set the 'TIMER' by turning the dial clockwise to 150+ minutes.
- **AIR DRY:** This setting is used without any heat to freshen items by letting cool air move through it (e.g. clothes that have been stored for an extended period of time).

DRYING TIME REFERENCE

Drying Capacity	Approximate Drying Times
3 Lbs. (Three Pounds)	30 Minutes
5 Lbs. (Five Pounds)	60 Minutes
7 Lbs. (Seven Pounds)	120 Minutes
9 Lbs. (Nine Pounds)	200 Minutes

NOTE: Load weights and respective drying times are approximate.

SORTING AND LOADING LAUNDRY

For the best results, your laundry should be sorted properly. Separate the lint shedders (e.g. chenille and terry cloth) from the lint collectors (e.g. synthetics, flannels, velvets, and corduroys). Separate non-colorfast from light colored items, heavy fabrics from lightweight fabrics, and permanent press from heavy, bulky items.

Delicate clothes, especially those with ribbon or lace, should be placed in a nylon mesh bag before drying to prevent tangling.

NOTE: Before drying, check all pockets. If nails, coins, or pins remain in pockets, the objects may damage the dryer and/or clothes. Place your laundry into the dryer evenly. Uneven laundry may cause noise or vibrations.

Clothes with zippers, buckles buttons or fasteners should be closed or turned inside out to reduce the impact of noise between the metal and the dryer's drum.

DO NOT TUMBLE DRY: Read all permanent care labels carefully. If the care label on the garment reads "Drip Dry", "Line Dry", or "Dry Flat", DO NOT dry the garments in the dryer. In addition, certain materials will melt or become dangerously flammable if heated, while other garments may lose their shape. Other items that should not be tumble dried are the following:

1. Garments that have been dry cleaned at home.
2. Garments made from wool, unless the garment manufacturer recommends it.
3. Garments with fiberglass materials.
4. Garments containing vinyl, rubber, plastic or similar materials, including bras, tennis shoes, rubber galoshes, bath mats, rugs, bibs, baby pants, plastic bags, pillows, etc., as they may melt or burn. Under certain circumstances, some rubber materials, when heated, can produce fire by spontaneous combustion.

NOTE: DO NOT use fabric softeners or related products that help eliminate static, unless recommended by the manufacturer of the fabric softener or related products.





















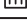
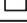


FABRIC CARE

- For optimum results, load the dryer with cloths of similar fabric, weight and construction.
- Check for stains that may not have been removed in washing. The dryer heat may permanently set some stains.
- Separate dark and light colored items, like you do when washing laundry.
- **DRYING TIME:** The drying time depends on many factors, such as the type of fabric. In addition, the drying duration is dependent on how dry you want the laundry to be when taken out of the dryer.
- **DRYER ADDED FABRIC SOFTENERS:** Certain dryer added fabric softeners may cause damage to automatic dryers. Therefore, only use fabric softeners with written assurance from the manufacturer that their softeners can safely be used in your dryer.
- **SINGLE ITEMS:** Use the timed drying mode when there is only one item to be dried. This is because the moisture sensor in the automatic drying mode may disable the heating element too early in the cycle, thereby failing to adequately dry the garment.
- **OVERDRYING GARMENTS:** When using the timed drying mode, it is possible to overdry the garments, especially if the timer has been set too long. This can cause the fabrics to wrinkle, shrink, or feel harsh. Synthetic materials can also become charged with static electricity.

NOTE: Refer to the Fabric Care Chart on page 14 for commonly used fabric care symbols.

NOTE: Always remove the laundry load from the dryer as soon as possible.

FABRIC CARE CHART

Fabric Care Symbol	Definition
	Resistant material
	Delicate fabric
	May be washed at 200°F/95°C
	May be washed at 140°F/60°C
	May be washed at 105°F/40°C
	May be washed at 85°F/30°C
	Item may be hand washed
	Dry clean only
	Can be bleached in cold water
	Do not bleach
	Can be ironed at 392°F/200°C max
	Can be ironed at 302°F/150°C max
	Can be ironed at 212°F/100°C max
	Do not iron
	Dry clean with any solvent
	Dry clean with perchloride, lighter fuel, pure alcohol or R113 only
	Dry clean with aviation fuel, pure alcohol or R113 only
	Do not dry clean
	Dry flat
	Can be hung to dry
	Dry on clothes hanger
	Tumble dry, normal heat
	Tumble dry, reduced heat
	Do not tumble dry

CARE AND MAINTENANCE

UNIT

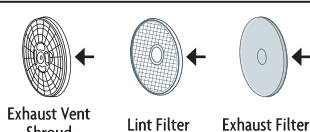
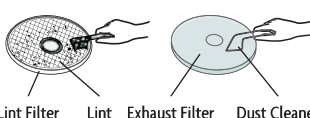
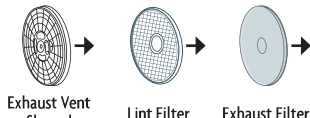
The dryer should be cleaned regularly, including the control panel, with a soft cloth and non-abrasive household detergents. The use of harsh detergent or abrasives is not recommended. Do not pour water on the dryer or control panel. Use a soft cloth to dry the surfaces. Failure to maintain the dryer in a clean condition could lead to deterioration of the surface which could adversely affect the life of the appliance and possibly result in a hazardous situation.

NOTE: Unplug the power cord before cleaning any part of the dryer.

LINT FILTER ASSEMBLY

The dryer should be cleaned regularly, including the lint filter assembly. Refer to the Lint Filter Assembly chart when cleaning the filter assembly.

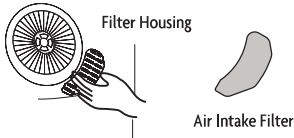

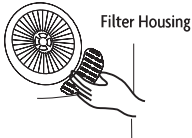
NOTE: Unplug the power cord before cleaning any part of the dryer.

Lint Filter Assembly	
1	Remove the lint filter by pulling outward using the four (4) grip holes in the filter assembly. NOTE: The lint filter assembly must be installed when operating the dryer. The lint filter assembly must be cleaned before and after each use
2	The lint filter assembly consists of three (3) parts: exhaust vent shroud, lint filter, and exhaust filter. <div style="text-align: center;">  <p>Exhaust Vent Shroud Lint Filter Exhaust Filter</p> </div>
3	Separate the three (3) parts of the assembly and clean the individual pieces using a soft brush or a vacuum cleaner. Do not damage the filter assembly. <div style="text-align: center;">  <p>Lint Filter Lint Exhaust Filter Dust Cleaner</p> </div>
4	Reassemble the filter assembly in the following order: exhaust filter - lint filter - exhaust vent shroud. Align the entire assembly with the recessed position in the back of the drum and press firmly until the entire filter assembly is secured <div style="text-align: center;">  <p>Exhaust Vent Shroud Lint Filter Exhaust Filter</p> </div>

AIR INTAKE FILTER

The dryer should be cleaned regularly, including the air intake filter. Refer to the Air Intake Filter chart when cleaning the filter.

NOTE: Unplug the power cord before cleaning any part of the dryer.

Air Intake Filter	
1	Remove the air intake filter by pulling outward while holding the filter housing by its top and bottom. NOTE: The air intake filter must be installed when operating the dryer. The air intake filter must be cleaned before and after each use.
2	The air intake filter consists of two (2) parts: filter housing and air intake filter.  Filter Housing Air Intake Filter
3	Remove the air intake filter inside the filter housing. Clean the filter using a soft brush or a vacuum cleaner.  Cleaning the Air Intake Filter
4	Reassemble the air intake filter inside the filter housing, then reinstall the filter housing by pushing the housing upwards with your thumb until the latch is secured to the dryer.  Filter Housing

TROUBLESHOOTING

Before you call for service, refer to following checklist for common problems:

The 'TIMER' dial will not rotate	<ul style="list-style-type: none">• The dryer is not plugged in.• The circuit breaker tripped or a fuse blew. Check for a blown circuit fuse or tripped main circuit breaker in your house.• The door is not closed.
The dryer does not operate	<ul style="list-style-type: none">• The dryer is not plugged in.• The circuit breaker tripped or a fuse blew. Check for a blown circuit fuse or tripped main circuit breaker in your house.• The door is not closed.
The dryer drum does not rotate	<ul style="list-style-type: none">• The dryer is not plugged in.• The circuit breaker tripped or a fuse blew. Check for a blown circuit fuse or tripped main circuit breaker in your house.• The door is not closed.
The laundry is not completely dry	<ul style="list-style-type: none">• Verify the presets used for 'TIMER', 'MODE', and 'SENSOR DRY'.• Clean the filter.• Reduce the laundry load in the dryer. Do not overload the dryer.• Dry these items further in the timed drying mode for 10+ minutes.• Ensure the items are not knotted or bulked together.• The dryer is not located in a properly ventilated area.• Make sure your washer's spin cycle is extracting water properly.

NOTE: If the problem persists, contact Magic Chef® Customer Service: 1-888-775-0202 for assistance.

WARRANTY

LIMITED WARRANTY

MC Appliance Corporation warrants each new Compact Dryer to be free from defects in material and workmanship and agrees to remedy any such defect or to furnish a new part(s) (at the company's option) for any part(s) of the unit that has failed during the warranty period. Parts and labor expenses are covered on this unit for a period of one year after the date of purchase. A copy of the dated sales receipt/invoice is required to receive warranty service, replacement or refund.

This warranty covers appliances in use within the continental United States, Hawaii, and Puerto Rico. The warranty does not cover the following:

- Damages due to shipping damage or improper installation
- Damages due to misuse or abuse
- Content losses due to failure of the unit
- Inside components such as filters, etc.
- Repairs performed by unauthorized service agents
- Service calls that do not involve defects in material and workmanship such as instruction on proper use of the product or improper installation
- Replacement or resetting of house fuses or circuit breakers
- Failure of this product if used for purposes other than its intended purpose
- Disposal costs of failed units not returned to our factory
- Any delivery or installation costs incurred as the result of a unit that fails to perform as specified
- Expenses for travel and transportation for product service if your appliance is located in a remote area where service by an authorized service technician is not available
- The removal and reinstallation of your appliance if it is installed in an inaccessible location or is not installed in accordance with published installation instructions
- Refunds for non-repairable products are limited to the price paid for the unit per the sales receipt

LIMITATIONS OF REMEDIES AND EXCLUSIONS

Product repair in accordance with the terms herein, is your sole and exclusive remedy under this limited warranty. Any and all implied warranties including merchantability and fitness for a particular purpose are hereby limited to one year or the shortest period allowed by law. MC Appliance Corporation is not liable for incidental or consequential damages and no representative or person is authorized to assume for us any other liability in connection with the sale of this product. Under no circumstances is the consumer permitted to return this unit to the factory without the prior written consent of MC Appliance Corporation.

Some states prohibit the exclusion or limitation of incidental or consequential damages, or limitations on implied warranties. This warranty gives you specific rights, and you may also have other rights which vary from state to state.

Model	Parts	Labor	Type of Service
MCSDRY1S	One Year	One Year	Carry In

For Service or Assistance, please call 888-775-0202. Or visit us on the web at www.mcappliance.com to request warranty service or order parts.



**CNA International, Inc. d/b/a MC Appliance Corporation. All rights reserved.
Magic Chef® is a registered trademark of CNA International, Inc.**

www.mcappliance.com

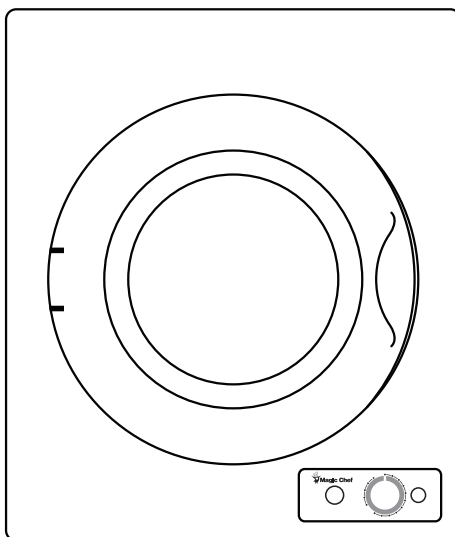
Printed in China



Magic Chef®

Secadora compacta de 2.6 pies cúbicos

*Manual
del usuario*



Modelo MCSDRY1S

**LEA ESTE MANUAL ANTES DE UTILIZAR SU SECADORA
COMPACTA Y GUÁRDELO PARA FUTURA REFERENCIA.**

REGISTRACIÓN DEL PRODUCTO

Gracias por comprar el producto Magic Chef®. El primer paso para proteger su nuevo producto es completar la forma de registración en nuestra pagina web: www.mcappliance.com/register. Los beneficios de registrar su producto incluyen lo siguiente:

1. Al registrar su producto nos permite contactarle para notificarle de un cambio de seguridad o actualización del producto.
2. Si llegara a necesitar servicio bajo garantía, registrando su producto nos permite ser más eficiente en procesar el servicio.
3. En el evento que usted tenga una pérdida que esta cubierto por un seguro, registrando su producto puede servir como prueba de su compra.

Una vez más gracias por comprar un producto marca Magic Chef®.

ÍNDICE

- 02 REGISTRACIÓN DEL PRODUCTO
- 04 PRECAUCIONES
- 05 INSTRUCCIONES IMPORTANTES DE SEGURIDAD
- 07 INSTALACION
- 10 ESPECIFICACIONES
- 11 PARTES Y CARACTERÍSTICAS
- 12 OPERACIÓN
- 16 MANTENIMIENTO Y CUIDADO
- 18 RESOLUCIÓN DE PROBLEMAS
- 19 GARANTÍA

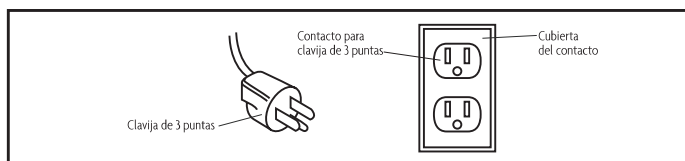
PRECAUCIONES

LEA ESTE MANUAL ATENTAMENTE

El manual para el usuario ha sido diseñado para ayudarlo a operar y realizar el mantenimiento de su nuevo electrodoméstico de manera correcta. Téngalo a mano a fin de responder preguntas. Si no comprende determinados aspectos o necesita ayuda adicional, comuníquese con el Servicio al cliente de Magic Chef®: 1-888-775-0202. Conserve la prueba de la fecha de compra original (p. ej., recibo de compra) con este manual, a fin de determinar el periodo de garantía.

INSTRUCCIONES DE CONEXION A TIERRA

Este equipo debe de estar conectado a tierra; ya que en caso de un corto circuito, el cable a tierra reduce el riesgo de sufrir una descarga eléctrica al proporcionar una trayectoria de escape a la corriente eléctrica. Por lo tanto este aparato está equipado con una clavija polarizada que contiene una terminal para la conexión a tierra, la cual debe de conectarse a un contacto que esté propiamente instalado y conectado a tierra.



Este electrodoméstico requiere una salida eléctrica estándar de 120 voltios y 60 Hz con un receptáculo a tierra de 3 clavijas. Para evitar lesiones accidentales, el cable debe sujetarse detrás del electrodoméstico y no debe quedar expuesto ni colgando a fin de.

ADVERTENCIA: El uso indebido del enchufe y/o la salida de puesta a tierra puede causar riesgo de descarga eléctrica. Consulte a un electricista o técnico calificado si no comprende totalmente las instrucciones de puesta a tierra, si tiene dudas sobre la correcta puesta a tierra del electrodoméstico, o bien:

- Si necesita usar un cable de extensión, utilice únicamente uno de 3 cables que tenga un enchufe de puesta a tierra de 3 hojas, y un receptáculo de 3 ranuras en el que quepa el enchufe del electrodoméstico. La clasificación marcada en el cable de extensión debe ser mayor o igual a la clasificación eléctrica del electrodoméstico.
- Si el cable de suministro eléctrico es demasiado corto, solicite a un electricista o técnico calificado que instale una salida cerca del electrodoméstico.

ADVERTENCIA: NO corte ni retire la tercera clavija (tierra) del cable de alimentación bajo ningún punto de vista.

INSTRUCCIONES IMPORTANTES DE SEGURIDAD

ADVERTENCIA: A fin de reducir el riesgo de incendio, descarga eléctrica y/o lesiones personales, deben seguirse siempre las precauciones básicas de seguridad al utilizar electrodomésticos.

Cuando se usan equipos eléctricos deben seguirse ciertas reglas básicas de seguridad, incluyendo lo siguiente:

1. Lea todas las Instrucciones antes de usar el equipo.
2. Riesgo de atrapamiento y asfixia de niños; jamás deje que los niños operen el electrodoméstico, jueguen con él ni se metan adentro.
3. Este equipo debe tener una conexión de tierra, lea las "INSTRUCCIONES DE CONEXION A TIERRA", encontradas en la página 4.
4. Instale o coloque este aparato de acuerdo únicamente con las instrucciones de instalación proporcionadas.
5. NO coloque la secadora en habitaciones con vapor o donde quede directamente expuesta a la lluvia. La humedad puede dañar el aislamiento eléctrico y provocar riesgo de descarga eléctrica.
6. Utilice la secadora únicamente para su uso previsto descrito en el manual para el usuario. Este tipo de secadora ha sido diseñado específicamente para secar ropa. No ha sido diseñada para uso industrial ni de laboratorio.
7. Como con cualquier aplicación, la supervisión cercana es necesaria cuando es utilizada por los niños o personas discapacitadas.
8. No use el secadora si tiene dañado el cable de alimentación o clavija, si funciona de manera inapropiada o si ha sufrido alguna caída.
9. Este secadora debe ser revisado solamente por un personal cualificado de servicio. Contacta un facilidad de servicio el más cercano para examinar, reparar o ajustar.
10. No cubra o bloquee ninguna salida de ventilación del equipo.
11. NO coloque la mano en el tambor giratorio durante el funcionamiento. El tambor giratorio rota a gran velocidad y las partes giratorias pueden causarle lesiones en las manos.
12. No sumerja en agua el cable de alimentación o clavija.
13. Mantenga el cable de alimentación alejado de superficies calientes.
14. NO almacene ni use gasolina u otro vapor o líquido inflamable cerca de este electrodoméstico o cualquier otro. Los vapores pueden causar riesgo de incendio o explosión.

15. Al limpiar las superficies de la puerta y de la estructura, use solo jabones o detergentes suaves, no abrasivos aplicados con una esponja o paño suave. Jamás limpie las piezas del electrodoméstico con líquidos inflamables. Los vapores pueden causar riesgo de incendio o explosión.

CONSERVE ESTE MANUAL DE SEGURIDAD INSTRUCCIONES

INSTALACION

COLOCACIÓN

1. Examine el secadora después de abrirlo. Revise que no esté dañado, no tenga abolladuras, que la puerta esté alineada y que la cavidad no esté rayada o abollada. Si existe algún desperfecto visible, NO instale y notifíquelo inmediatamente a su vendedor.
2. Verifique que tenga el kit de montaje en pared y cuatro (4) patas niveladoras.
3. Instale la secadora sobre una superficie plana y nivelada. Si la superficie es despareja, ajuste las patas niveladoras. Si montará la secadora a la pared, utilice el kit de montaje en pared que se incluye.
4. Instale la secadora fuera de la luz solar directa; la luz solar directa puede afectar el recubrimiento acrílico, el plástico y los componentes eléctricos. La temperatura ambiente no debe estar por debajo de 32 °F.
5. Verifique la ventilación. NO obstruya las ventilaciones de aire, especialmente si la secadora está instalada sobre un suelo alfombrado. Si las ventilaciones están obstruidas durante el funcionamiento, la secadora puede sobrecalentarse y eventualmente fallar. Para una ventilación adecuada deje, al menos, 5 pulgadas de espacio entre la parte superior, los lados, la parte posterior y las superficies adyacentes.
6. Instale la secadora lejos de calefactores y canillas. Mantenga la secadora lejos del calor, vapor o salpicaduras de líquido. No salpique agua en el panel de control. Esto puede afectar de manera adversa el cableado y los contactos de conducción eléctrica de la secadora.
7. Verifique el suministro eléctrico.
 - a) Verifique su fuente de alimentación local. La secadora requiere una corriente de aproximadamente 12 amperios, 120 voltios y una salida a tierra de 60 Hz.
 - b) Se suministra un cable de suministro eléctrico corto a fin de reducir los riesgos de enredarse o tropezar con un cable más largo. Asegúrese de que la secadora no se apoye sobre el cable.
 - c) No se recomienda el uso de un cable de extensión. Si se utiliza un cable de extensión:
 - La clasificación eléctrica marcada del conjunto de cable o del cable de extensión debe ser, por lo menos, igual a la clasificación eléctrica del electrodoméstico.
 - El cable de extensión debe ser con conexión a tierra, de 3 cables.
 - Se debe preparar un cable más largo de forma tal que no caiga sobre el electrodoméstico donde puedan jalarlo niños o donde haya riesgo de tropiezo.

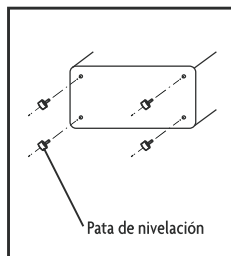
COLOCACIÓN

1. Examine el secadora después de abrirlo. Revise que no esté dañado, no tenga abolladuras, que la puerta esté alineada y que la cavidad no esté rayada o abollada. Si existe algún desperfecto visible, NO instale y notifíquelo inmediatamente a su vendedor.

AJUSTE DE LAS PATAS DE NIVELACIÓN

La secadora se envía con una bolsa que incluye la guía para el usuario y cuatro patas (4) niveladoras. Consulte la ilustración a la derecha para instalar y ajustar las patas de nivelación.

Si la secadora se coloca sobre una superficie despareja o frágil, el electrodoméstico hará ruidos y vibrará. Si el suelo es desparejo, ajuste el nivel de altura de las patas niveladoras según corresponda. NO coloque trozos de madera ni ningún otro objeto debajo de las patas.

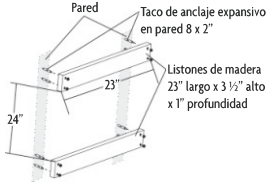
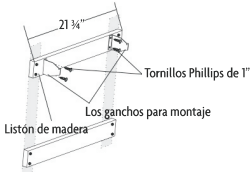
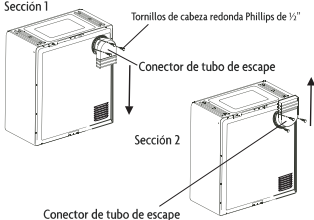
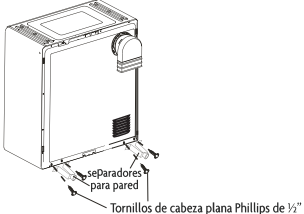
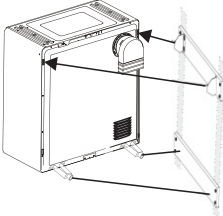


INSTRUCCIONES PARA MONTAJE EN PARED

Las herramientas y piezas necesarias para la instalación en yeso o madera (no incluidas)	
Taladro y barrena	1
Destornillador Phillips	1
Taco de anclaje expansivo en pared	8
Listones de madera	2

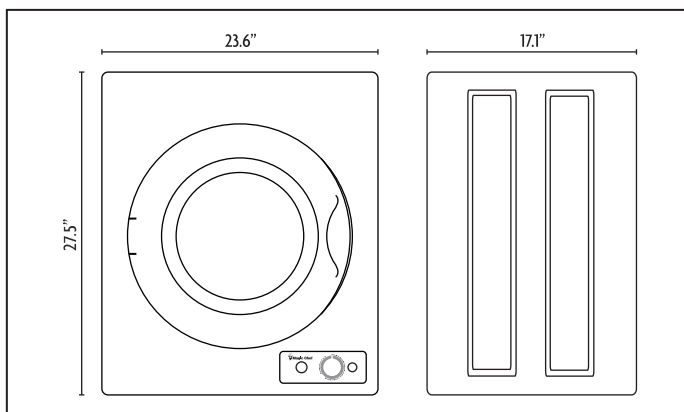
El kit de montaje en pared incluye lo siguiente	
Los ganchos para montaje en pared	2
Tornillos de cabeza Phillips de 1"	4
Separadores de plástico	2
Tornillos de cabeza plana Phillips de ½"	4
Conector de tubo de escape	1
Tornillos de cabeza redonda Phillips de ½"	3

Instrucciones para montaje en pared	
*	<p>NOTA: Se recomienda que, al menos, dos personas realicen el siguiente procedimiento.</p> <p>NOTA: Cuando los materiales de las paredes varían, el herramental suministrado para fijar a la pared puede ser inadecuado para su tipo de pared. Consulte a su centro local de mejoras para el hogar/herramental si desea obtener sugerencias sobre el herramental necesario para su tipo de pared en particular.</p>
1	<p>Determine la posición en la que desea instalar los ganchos para montaje.</p> <ul style="list-style-type: none"> • Esta secadora no ha sido diseñada para apoyarse sobre la lavadora. • Se requiere un mínimo de 2 pulgadas entre la parte superior de la secadora y el techo así como entre la parte inferior de la secadora y el piso para una fácil instalación y un espacio adecuado para el tubo de escape. <p>Si lo monta sobre una lavadora de carga superior, deje suficiente espacio para abrir la tapa de la lavadora y/o espacio de ventilación en caso de que sea una lavadora de carga frente.</p>
2	<p>Aunque los ganchos para montaje suministrados pueden instalarse directamente en la pared usando las clavijas de madera existentes, el método de instalación preferido consiste en utilizar listones de madera que brindan un nivel plano para la superficie de instalación. A su vez, consiste en sumar estabilidad a toda la instalación en pared.</p>

3	<p>Utilizar dos listones de Madera (no incluido) entre los postes de madera para montar los ganchos. Tamaño recomendado para los listones de madera 23" largo x 3 1/2" alto x 1" profundidad</p> <p>Al utilizar listones de madera para instalar en material de cartón yeso, debe usar tacos de anclaje expansivo en pared a fin de fijar de forma segura los listones de cartón yeso.</p>	
4	<p>Instale los ganchos para montaje en pared en los listones de madera utilizando los (4) tornillos redonda Phillips de 1" incluidos. Fije el soporte de montaje en los listones de madera tal como se muestra en el diagrama de la derecha.</p>	
5	<p>Instale el conector de tubo de escape tal como se muestra en la ilustración utilizando los (3) tornillos de cabeza redonda Phillips de 1/2" incluidos.</p> <ul style="list-style-type: none"> • Para un escape a la baja, se unen las secciones apuntando hacia abajo. • Para un escape hacia arriba, unir las secciones apuntando hacia arriba 	
6	<p>Instale los separadores para pared inferiores (incluidos) utilizando los (4) tornillos de cabeza plana Phillips de 1/2" (incluidos). Estos espacios son necesarios al instalar la unidad en la pared a fin de permitir la ventilación necesaria para un funcionamiento eficiente.</p>	
7	<p>Montaje de la secadora en el conjunto para colgar en pared.</p> <p>Con la ayuda de otra persona, levante la secadora y alinee los orificios de montaje en la parte posterior de la secadora con los ganchos para montaje.</p> <p>Incline la secadora a un ángulo de 45° e introduzca los ganchos para montaje en los orificios de montaje de la secadora tal como se muestra en la figura de la derecha.</p> <p>Una vez que los montantes de la secadora están en su lugar, baje lentamente la secadora hasta su posición y verifique que en ningún punto de instalación haya tensión o un contacto debilitado.</p>	

ESPECIFICACIONES

Fuente de alimentación	120V AC, 60Hz
Capacidad	2.6 cu. ft.
Dimensiones de la unidad	23.6" x 27.5" x 17.1" (An x Al x P)
Peso neto	48.4 lbs.



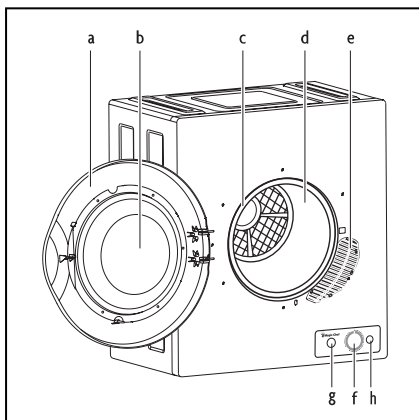
* Debido al desarrollo continuo de productos, las especificaciones y el diseño pueden estar sujetos a cambios sin previo aviso.

PARTES Y CARACTERÍSTICAS

PORTE DELANTERA

El aspecto de su modelo puede variar levemente con respecto a las ilustraciones del manual.

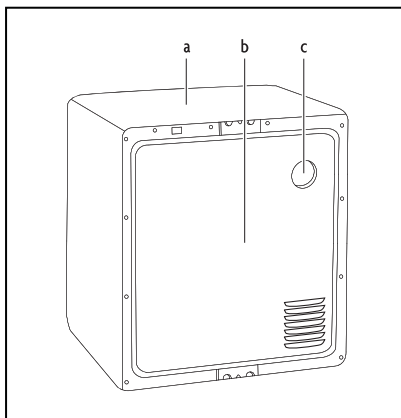
- a. Puerta
- b. Ventana
- c. Junta de la puerta
- d. Tambor
- e. Cubierta de la entrada de aire
- f. Contador
- g. Sensor de secar
- h. Modo



PORTE TRASERA

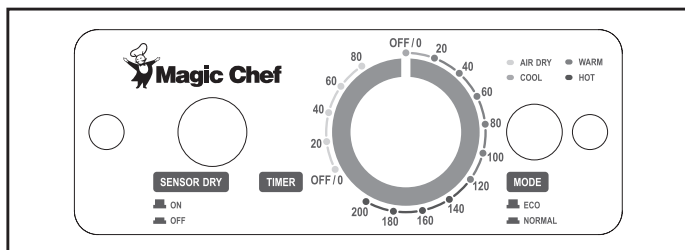
El aspecto de su modelo puede variar levemente con respecto a las ilustraciones del manual.

- a. Carcasa de la secadora
- b. Cubierta trasera
- c. Ventilación de escape



OPERACIÓN

PANEL DE CONTROL



SELECTOR DE MODO

NORMAL: Por defecto, la secadora funciona bajo el modo 'NORMAL' (se pulsa el botón de modo/pulsado), en combinación con los valores predestinados, el 'SENSOR DRY/SENSOR DE SECAR' y 'TIMER/CONTADOR' las funciones de un secado óptimo. La función 'SENSOR DE SECAR' se puede activar 'PRENDER/ON' u 'APAGAR/OFF', mientras que la función 'CONTADOR' se puede ajustar a sus necesidades para secar y el uso de las directrices de marcación y temperatura.

ECO: La secadora funciona con un modo de ahorro de energía, independientemente del 'SENSOR DE SECAR' y las funciones de la 'CONTADOR'. El secador se ejecutará automáticamente en el modo 'ECO' para una duración total de 270 minutos. El secador comenzará a secar la ropa durante 150 minutos con aire frío, seguido de otros 120 minutos utilizando aire caliente mediante la activación del elemento de calentamiento.

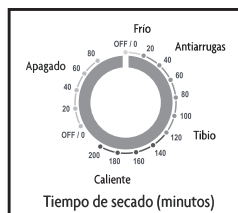
Simplemente abrir y cargar la secadora, cerrar la puerta, a continuación, pulse el botón 'Mode' y la secadora se ejecutará en el modo 'ECO'.

SENSOR SELECTOR EN SECO

PRENDER: Cuando el tiempo de secar alcance los 120 minutos, el sensor de la función de secado mide los niveles de humedad y la humedad durante el ciclo y ajusta automáticamente el tiempo de calentamiento para un rendimiento de secado más eficiente. Como resultado, la secadora puede dejar de generar calor antes de lo preestablecido 'CONTADOR', pero el ciclo de preselección sigue empujando el aire fresco hasta que el tiempo de secado termine en la posición 'OFF/O' ('apagado/0').

APAGADO: La secadora opera de acuerdo al tiempo indicado por el 'CONTADOR' hasta que finalice la preestablecidas en la posición 'OFF/O' ('apagado/0').

FRESCO: Por lo general, esta función se utiliza para enfriar prendas que se acaban de secar, a fin de evitar la formación de arrugas. Se generará aire frío, en lugar de que el motor impulse aire caliente al tambor de la secadora.



ANTIARRUGAS: Par las cargas de ropa que son difícil de planchar (por ejemplo, camisas de algodón y lino), establezca el 'CONTADOR' entre 30-60 minutos, dependiendo en el tamaño de la carga de ropa. Cuando se detenga el ciclo, las prendas seguirán húmedas, lo que hará que el proceso de secado sea más sencillo.

TIBIO: Esta configuración se utiliza para secar y enfriar y, según el material, dejar las prendas sin arrugas. Configure el 'TIMER' (temporizador) girando la perilla en sentido horario entre 60 y 150 minutos.

CALIENTE: Esta configuración se usa para secar grandes cantidades de prendas o prendas muy grandes (es decir, el tambor de la secadora está lleno más de la mitad). Configure el 'TIMER' (temporizador) girando la perilla en sentido horario en más de 150 minutos.

AIRE SECO: Este ajuste se utiliza sin ningún calor para refrescar artículos para permitir que el aire frío se mueva a través de ella (por ejemplo, la ropa que se han almacenado por un período prolongado de tiempo).

REFERENCIA DE TIEMPO DE SECADO

Capacidad de secado	Tiempos de secado aproximados
3 lb (tres libras)	30 minutos
5 lb (cinco libras)	60 minutos
7 lb (siete libras)	120 minutos
9 lb (nueve libras)	200 minutos

NOTA: Los pesos de carga y los respectivos tiempos de secado son aproximados.

CLASIFICACIÓN Y CARGA DE LAS PRENDAS

Para obtener los mejores resultados, debe clasificar las prendas de manera adecuada. Separe las prendas que desprenden pelusa (como chenille y tela de toalla) de las prendas que atrapan pelusa (como los tejidos sintéticos, franela, terciopelo y corderoy). Separe las prendas que destiñen de aquellas con colores claros, las telas pesadas de las livianas, y las que no se arrugan de las abultadas y pesadas.

La ropa delicada, especialmente aquellas con listón o encaje, deben ser puestas en una bolsa de malla de nylon antes de secar para evitar que se enreden.

NOTE: Antes de secar, revise los bolsillos. Si hay clavos, monedas o pinches en los bolsillos, podrían dañar la secadora y/o las prendas. Coloque la ropa en la secadora de manera uniforme. Si la coloca de manera despereja, pueden ocasionarse ruidos o vibraciones.

Ropa con siper, botones o cierres deben estar cerrados o volteados para adentro para reducir el impacto del ruido entre el metal y tambor de la secadora.

NO CENTRIFUGUE: Lea atentamente las etiquetas de cuidado. Si la etiqueta de cuidado de la prenda dice “Secar por goteo”, “Secar en tendedero” o “Secar plano”, NO la coloque en la secadora. Además, algunos materiales pueden derretirse o volverse inflamables si se calientan, mientras que otras prendas pueden perder la forma. Otras prendas que no deben centrifugarse son las siguientes:

1. Prendas que se limpiaron en seco en el hogar.
2. Prendas de lana, a menos que el fabricante de la prenda lo recomiende.
3. Prendas con materiales de fibra de vidrio.
4. Las vestiduras que contienen vinilo, caucho, plástico o materiales similares, incluyendo sostenes, zapatos tenis, chanclas de goma, alfombras para baño, alfombras, baberos, pantalones de niños, bolsos de plástico, almohadas, etc., ya que estos pueden derretirse o quemarse. Bajo circunstancias, algunos materiales de goma, cuando se calientan, pueden producir incendios por combustión espontánea.

NOTA: NO utilice suavizantes ni productos similares que ayudan a eliminar la estática, a menos que el fabricante del suavizante o producto similar lo recomiende.





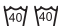



















CUIDADO DE LAS TELAS

- Para obtener resultados óptimos, cargue la secadora con paños de tela similares, el peso y la construcción.
- Cheque por manchas que no se han removido durante la lavada. El calor de la secadora puede fijar algunas manchas permanentemente.
- Separe prendas de colores claros y oscuros, así como lo hace cuando va a lavar.
- **TIEMPO DE SECADO:** El tiempo de secado depende de muchos factores, como por ejemplo el tipo de tela. Además, la duración del secado depende de qué tan secas quiera que estén las prendas al quitarlas de la secadora.
- **ENCOGIMIENTO:** Las prendas tejidas en particular son propensas a encoger. NO use la configuración de calor ‘HIGH’ (alto) para estos materiales, y siempre estire las prendas inmediatamente después de secarlas.
- **SUAVIZANTES AGREGADOS A LA SECADORA:** Determinados suavizantes agregados a la secadora pueden dañar las secadoras automáticas. Por lo tanto, use solo suavizantes que lleven la aclaración del fabricante de que el producto es seguro para usar en su secadora.
- **PRENDAS SOLAS:** Cuando hay solo una prenda para secar, utilice el modo de secado con temporizador. Esto se debe a que el sensor de humedad en el modo de secado automático puede desactivar el elemento de calor demasiado pronto en el ciclo, y la prenda no se secará correctamente.
- **PRENDAS HÚMEDAS DESPUÉS DE CENTRIFUGAR:** Cuando utiliza la configuración de calor ‘LOW’ (bajo) para el modo de secado automático, puede ocurrir que las prendas no se sequen bien. Esto puede deberse a telas pesadas, costuras gruesas o a que la secadora está sobrecargada. Para secar estas prendas un poco más, use el modo de secado con temporizador durante 10 minutos adicionales (o más). Si la secadora está sobrecargada, la eficacia se verá disminuida, y es posible que las prendas no se sequen de forma pareja.
- **PRENDAS SECADAS EN EXCESO:** Cuando se utiliza el modo de secado con temporizador, es posible que las prendas se sequen en exceso, especialmente si el temporizador se ha fijado en mucho tiempo. Esto puede hacer que las telas se arruguen, se encojan o se sientan ásperas. Los materiales sintéticos además pueden cargarse con electricidad estática.

NOTA: Consulte la Tabla de cuidado de las telas en la página 15 para conocer los símbolos de cuidado de telas más comunes.

NOTA: Siempre remueva la ropa de la secadora tan pronto lo más pronto posible.

TABLA DE CUIDADO DE LAS TELA

Simbolo de cuidado de las telas	Definición
	Material resistente
	Tela delicada
	Puede lavarse a 200°F/95°C
	Puede lavarse a 140°F/60°C
	Puede lavarse a 105°F/40°C
	Puede lavarse a 85°F/30°C
	Esta prenda puede lavarse a mano
	Solo limpieza en seco
	Puede lavarse con blanqueador en agua fria
	No usar blanqueador
	Puede plancharse a 392°F/200°C como máximo
	Puede plancharse a 302°F/150°C como máximo
	Puede plancharse a 212 °F/100 °C como máximo
	No planchar
	Limpieza en seco con cualquier solvente
	Limpieza en seco con percloruro, combustible para encendedores, alcohol puro o R113 solamente
	Limpieza en combustible de aviación, alcohol puro o R113 solamente
	No limpiar en seco
	Secar plano
	Puede colgarse para secar
	Secar colgado en tendedero
	Centrifugado, calor normal
	Centrifugado, calor reducido
	No centrifugar

MANTENIMIENTO Y CUIDADO

UNIDAD

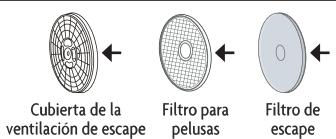
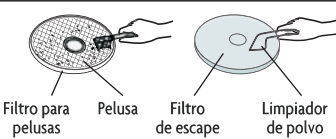
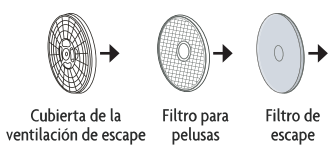
La secadora debe limpiarse de manera regular, incluido el panel de control, con un paño suave y detergentes domésticos no abrasivos. No se recomienda el uso de detergentes fuertes o abrasivos. No vierta agua en la secadora ni en el panel de control. Use un paño suave para secar las superficies. No mantener la secadora limpia puede causar deterioro de la superficie, y esto puede afectar de manera adversa la vida útil del electrodoméstico y posiblemente causar situaciones de peligro.

NOTA: Desenchufe el cable de alimentación antes de limpiar cualquier parte de la secadora.

CONJUNTO DEL FILTRO PARA PELUSAS

La secadora debe limpiarse de manera regular, incluido el conjunto del filtro para pelusas. Consulte la tabla del Conjunto del filtro para pelusas cuando limpie el conjunto del filtro.




NOTA: Desenchufe el cable de alimentación antes de limpiar cualquier parte de la secadora.

Conjunto del filtro para pelusas	
1	Retire el filtro para pelusas jalándolo hacia afuera utilizando los cuatro (4) orificios de agarre del conjunto de filtro. NOTA: El conjunto de filtro para pelusas debe estar instalado durante el funcionamiento de la secadora. El conjunto de filtro para pelusas debe limpiarse antes y después de cada uso.
2	El conjunto de filtro para pelusas consta de tres (3) partes: cubierta de la ventilación de escape, filtro para pelusas y filtro de escape. 
3	Separe las tres (3) partes del conjunto y limpie las piezas individuales utilizando un cepillo suave o una aspiradora. No dañe el conjunto de filtro. 
4	Vuelva a ensamblar el conjunto de filtro en el siguiente orden: filtro de escape - filtro para pelusas - cubierta de la ventilación de escape. Alinee el conjunto entero con la posición hueca hacia la parte posterior del tambor y presione firmemente hasta que todo el conjunto de filtro este fijo. 

FILTRO DE ENTRADA DE AIRE

La secadora debe limpiarse de manera regular, incluido el filtro de entrada de aire. Consulte la tabla del Filtro de entrada de aire cuando limpie el filtro.

NOTA: Desenchufe el cable de alimentación antes de limpiar cualquier parte de la secadora.

Filtro de entrada de aire	
1	<p>Retire el filtro de entrada de aire jalándolo hacia afuera sosteniendo la carcasa del filtro de su parte superior e inferior.</p> <p>NOTA: El filtro de entrada de aire debe estar instalado durante el funcionamiento de la secadora. El filtro de entrada de aire debe limpiarse antes y después de cada uso.</p>
2	<p>El filtro de entrada de aire consta de dos (2) partes: carcasa del filtro y filtro de entrada de aire.</p> 
3	<p>Retire el filtro de entrada de aire que se encuentra en la carcasa del filtro. Limpie el filtro utilizando un cepillo suave o una aspiradora.</p>  <p>Limpieza del filtro de entrada de aire</p>
4	<p>Vuelva a ensamblar el filtro de entrada de aire dentro de la carcasa del filtro, luego vuelva a colocar la carcasa del filtro empujando la carcasa hacia arriba con el pulgar hasta que la traba encaje en la secadora.</p> 

RESOLUCIÓN DE PROBLEMAS

Antes de llamar al servicio técnico, consulte la siguiente lista de problemas comunes:

La perilla del 'TIMER' (temporizador) no gira	<ul style="list-style-type: none">• La secadora no está enchufada.• Si disparó el disyuntor o se quemó un fusible. Verifique que no haya un fusible de circuito quemado o que no se haya disparado el disyuntor de su casa.• La puerta no está cerrada.
La secadora no funciona	<ul style="list-style-type: none">• La secadora no está enchufada.• Si disparó el disyuntor o se quemó un fusible. Verifique que no haya un fusible de circuito quemado o que no se haya disparado el disyuntor de su casa.• La puerta no está cerrada.
El tambor de la secadora no gira	<ul style="list-style-type: none">• La secadora no está enchufada.• Si disparó el disyuntor o se quemó un fusible. Verifique que no haya un fusible de circuito quemado o que no se haya disparado el disyuntor de su casa.• La puerta no está cerrada.
Las prendas no están completamente secas	<ul style="list-style-type: none">• Verifique los preajustes de uso para 'CONTADOR', 'MODO', 'SENSOR DE SECAR'• Limpie el filtro.• Reduzca la carga de ropa en la secadora. No sobrecargue la secadora.• Siga secando estas prendas en el modo de secado con temporizador durante más de 10 minutos.• Asegúrese de que las prendas no estén anudadas o amontonadas.• La secadora no está ubicada en un área debidamente ventilada.• Asegúrese de que el ciclo de centrifugado de la lavadora está extrayendo agua correctamente.

NOTA: Si el problema persiste, comuníquese con el Servicio al cliente de Magic Chef®: 1-888-775-0202 para recibir asistencia.

GARANTÍA

GARANTÍA LIMITADA

MC Appliance Corporation garantiza que cada Secadora compacta nueva no tiene defectos de materiales ni de mano de obra y acepta reparar cualquier defecto o proporcionar un repuesto nuevo, a discreción de la compañía, de cualquier parte de la unidad que presente algún defecto durante el periodo de garantía. Los gastos de repuestos y mano de obra está cubiertos para esta unidad durante un periodo de un año a partir de la fecha de compra. Es necesario presentar una copia del recibo o factura de compra con fecha para obtener los servicios de la garantía, el reemplazo o el reembolso.

Esta garantía cubre los electrodomésticos en uso dentro del territorio continental de los Estados Unidos, Hawái y Puerto Rico. Esta garantía no cubre lo siguiente:

- Daños ocurridos durante el transporte o debidos a una instalación inadecuada
- Daños debidos a uso indebido o abuso
- Pérdida de los contenidos debido a falla de la unidad
- Componentes como filtro, etc.
- Reparaciones efectuadas por agentes de servicio no autorizados
- Llamados al servicio de reparación que no se deban a fallas de materiales o mano de obra, como instrucciones sobre el uso adecuado del producto o instalación inadecuada
- Cambio o reprogramación de fusibles o interruptores de circuitos eléctricos en el hogar
- Falla del producto si se utiliza para otros fines fuera de los específicos
- Costos de disposición por toda unidad fallada no devuelta a la fábrica
- Costos de envío/instalación incurridos como resultado de una unidad que no funciona según lo especificado
- Gastos de viaje y trasporte para el servicio del producto si el aparato está ubicado en un lugar remoto donde el servicio de un técnico autorizado no está disponible
- El retiro y la instalación nueva del aparato si la instalación está en un lugar inaccesible o no está instalado según las instrucciones de instalación publicadas
- Los reintegros por productos que no tienen reparación se limitan al precio pagado por la unidad según el recibo de compra

LIMITACIONES DE RECURSOS Y EXCLUSIONES

La reparación del producto según los términos del presente es su recurso único y exclusivo bajo esta garantía limitada. Todas y cualquier garantía implícita, incluida la comerciabilidad y aptitud para un fin particular se limitan por la presente a un año o el periodo menor autorizado por la ley. MC Appliance Corporation no es responsable de los daños incidentales o contingentes y ningún representante o persona está autorizada a asumir en nombre nuestro ninguna responsabilidad en relación con la venta de este producto. Bajo ninguna circunstancia el consumidor puede devolver esta unidad a la fábrica sin contar con la autorización previa por escrito de MC Appliance Corporation.

Algunos estados prohíben la exclusión o limitación de los daños incidentales o contingentes o las limitaciones o garantías implícitas. Esta garantía le da derechos legales específicos y pueden corresponder otros derechos que varíen de un estado a otro.

Modelo	Partes	Mano de obra	Tipo de servicio
MCSDRY1S	Un año	Un año	Servicio con entrega

Para solicitar servicio o ayuda llame al 888-775-0202, o visítenos en www.mcpliance.com para solicitar el servicio de la garantía o pedir repuestos.



CNA International, Inc. realiza negocios bajo el nombre de MC Appliance Corporation. Derechos reservados. Magic Chef® es una marca registrada de CNA International, Inc.

www.mcappliance.com

Impreso en China