

This Owner's Manual is provided and hosted by [Appliance Factory Parts](#).



# Broil King 9221-54 Owner's Manual

[Shop genuine replacement parts for Broil King 9221-54](#)



[Find Your Broil King Grill Parts - Select From 1349 Models](#)

----- Manual continues below part list -----

## Available Replacement Parts for Broil King 9221-54

<a href="#">18013</a>	LARGE PROBE HEAT INDICATOR
<a href="#">10081-BK630</a>	NAMEPLATE HI BROIL KING BLACK ZINC
<a href="#">S21124</a>	SCREW PHCP #8 X 12 +
<a href="#">10390-E10</a>	BURNER SIDE 10BTU W/ELEC #8 +
<a href="#">Y-12220</a>	S/B BUSHING SB 1.375 16 HEY
<a href="#">Y-12223</a>	MAGNET SNAP IN - DOOR
<a href="#">Y-12222</a>	MAGNET - DOOR
<a href="#">23000-253</a>	SIDE BURNER LID IR SS
<a href="#">23000-271</a>	SIDE BURNER BODY BASE
<a href="#">Y-11567</a>	M8 SHOULDER M6 TYPE D SCREW
<a href="#">10342-E13</a>	ELECTRODE W/WIRE
<a href="#">10240-20</a>	DOOR PIN TOP
<a href="#">10240-19</a>	DOOR PIN BOTTOM
<a href="#">27055-901</a>	GREASE TRAY PORC FORMED 440 +
<a href="#">5S672</a>	grid, ss wire, 17.375 x 26.25; Grill Mas
<a href="#">66024</a>	grid, ci, 17.375 x 25.5; Huntington
<a href="#">96021</a>	HEAT PLATE PORCELAIN STEEL
<a href="#">03330</a>	spark generator
<a href="#">00475</a>	heat indicator
<a href="#">52045-92</a>	FIREBOX 440 HEAT SHIELD REAR
<a href="#">52315-151</a>	FIREBOX 440 HOOD PANEL PORC
<a href="#">59005-034</a>	CONTROL ASSY 4V S/B LP
<a href="#">59005-037</a>	CONTROL ASSY 4V S/B NG
<a href="#">18431</a>	OEM FLAV R WAVE - BARON
<a href="#">52305-121</a>	FIREBOX 440 OUTER REAR
<a href="#">20005-000</a>	HARDWARE BAG STICK & CHAIN SS
<a href="#">10892-23</a>	CASTER RUBBER 3 INCH W/PLATE
<a href="#">51175-111A</a>	DOOR ASSEMBLY 440 RHS BLACK
<a href="#">51175-131A</a>	DOOR ASSEMBLY 440 LHS BLACK
<a href="#">51175-114A</a>	DOOR ASSEMBLY 440 RHS SS

<a href="#">51175-134A</a>	DOOR ASSEMBLY 440 LHS SS
<a href="#">54009-936</a>	HANDLE BEZEL - CHROME
<a href="#">SP11-25</a>	STOP BUMPER - SILICONE
<a href="#">10811</a>	BURNER, PIPE, SS, 16.5 X 1
<a href="#">80012</a>	regulator and hose READ ADD. INFO
<a href="#">08032</a>	BURNER CROSSOVER BAR, SS
<a href="#">04831</a>	ELECTRODE WITH WIRE
<a href="#">10342-T21</a>	ELECTRODE WIRE S/B 35 INCH
<a href="#">10892-285</a>	CASTER 3 INCH RUBBER W/LEG LEVEL
<a href="#">22001-164</a>	BEZEL SS FLAT SML + 250/500/625/750 A
<a href="#">22002-264</a>	BEZEL SS FLAT LRG + 250/500/625/750 A
<a href="#">51039-951</a>	CASTER BRACKET BLACK 330/440/550
<a href="#">11241</a>	BARON CAST IRON GRID
<a href="#">52025-244BAR</a>	CONTROL COVER 4V + SB - BARON
<a href="#">52065-91</a>	FIREBOX 440 HEAT SHIELD FRONT
<a href="#">23009-951</a>	SIDE BURNER GRID BLK 330/440/550
<a href="#">56144-211</a>	LID END CAP 440 RHS BLACK
<a href="#">56144-231</a>	LID END CAP 440 LHS BLACK
<a href="#">59005-014</a>	CONTROL ASSY 4V LP
<a href="#">Y-11981</a>	BOLT CARRIAGE 1/4-20 x 1 UNC
<a href="#">10342-42</a>	IGNITOR ELECTRONIC DOUBLE IMPERIAL
<a href="#">10342-43</a>	IGNITOR ELECTRONIC TRIPLE IMPERIAL
<a href="#">25070-92</a>	WIRING HARNESS +
<a href="#">25070-93</a>	IGNITOR BUTTON & WIRE IR SS +
<a href="#">56345-211</a>	LID OUTER PANEL 440 BLK
<a href="#">18631</a>	OEM BURNER - BARON
<a href="#">59005-017</a>	CONTROL ASSY 4V NG
<a href="#">53139-988</a>	BRACKET SHELF SUPPORT
<a href="#">53150-614</a>	SHELF ASSY BARON RHS SS
<a href="#">53150-654</a>	SHELF ASSEMBLY BARON LHS SS
<a href="#">11141</a>	Broil King 11141 Stainless Rod Cooking G
<a href="#">17000</a>	CONTROL KNOB - SMALL BLACK
<a href="#">17010</a>	CONTROL KNOB RESIN LRG BLACK

<a href="#">10111-K45</a>	HOSE 3/8 INCH ASSEMBLY NG 10 FOOT +
<a href="#">21071-13</a>	DOOR HANDLE 500 GPB
<a href="#">24005-12AB</a>	LID-HANDLE BENT,
<a href="#">52005-991</a>	WARMING RACK 440 PORC
<a href="#">21035-991</a>	GREASE RAIL 440/500 SABLE BLK
<a href="#">21009-951</a>	TANK COLLAR CLAMP 625/750 BLK PULL OUT
<a href="#">51239-901</a>	TANK PREVENTION BRACKET 440 + BLK
<a href="#">51335-211</a>	TOP MAGNET BRACKET 440 BLACK
<a href="#">52009-901</a>	GREASE PAN - BLACK HIGH HEAT PAINT
<a href="#">10111-15A</a>	HOSE ASSEMBLY SS
<a href="#">27249-904</a>	GREASE SHIELD MODULAR, 6.5 x 6
<a href="#">22025-903</a>	COLLECTOR BOX ASSY 500 430SS

# Broil King®

ASSEMBLY MANUAL & PARTS LIST • MANUEL DE MONTAGE & LISTE DE PIÈCES • MANUAL DE ARMADO Y LISTA DE PARTES



**Broil King.**  
9221-54  
9221-57  
9221-64  
9221-67



**Broil King.**  
9225-54  
9225-57  
9225-64  
9225-67

RETAIN FOR FUTURE REFERENCE • VEUILLEZ CONSERVER POUR REFERENCE ULTERIEURE • CONSERVAR PARA FUTURAS CONSULTAS

ASSEMBLY VIDEO

VIDÉO MONTRANT  
L'ASSEMBLAGE

VIDEO DE  
ENSAMBLAJE



[BROILKINGBBQ.COM](http://BROILKINGBBQ.COM)

*Onward*  
MANUFACTURING COMPANY

SINCE 1906

1000 EAST MARKET STREET  
HUNTINGTON, INDIANA, 46750, USA

1-800-265-2150

[info@omcbbq.com](mailto:info@omcbbq.com)

50084-S45 Rev M 05/15



HARDWARE INCLUDED / MATERIAL INCLUS / EQUIPOS INCLUIDO



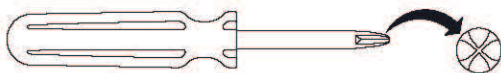
Y-12865		X26	S21125		X8
Y-11565		X4			
Y-29310		X4	Y-12310		X4
S21255		X2	Y-12857		X4
			Y-11546		X2
Y-11795		X2	Y-12127		X2
S35094		X1	Y-29304		X2
S21235		X2	S21233		X2



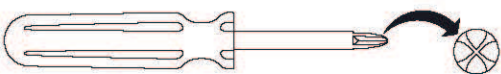
TOOLS REQUIRED / OUTILS NECESSAIRES / HERRAMIENTAS NECESARIAS



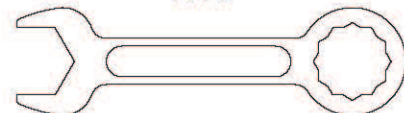
#3 PHILLIPS



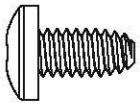
#2 PHILLIPS

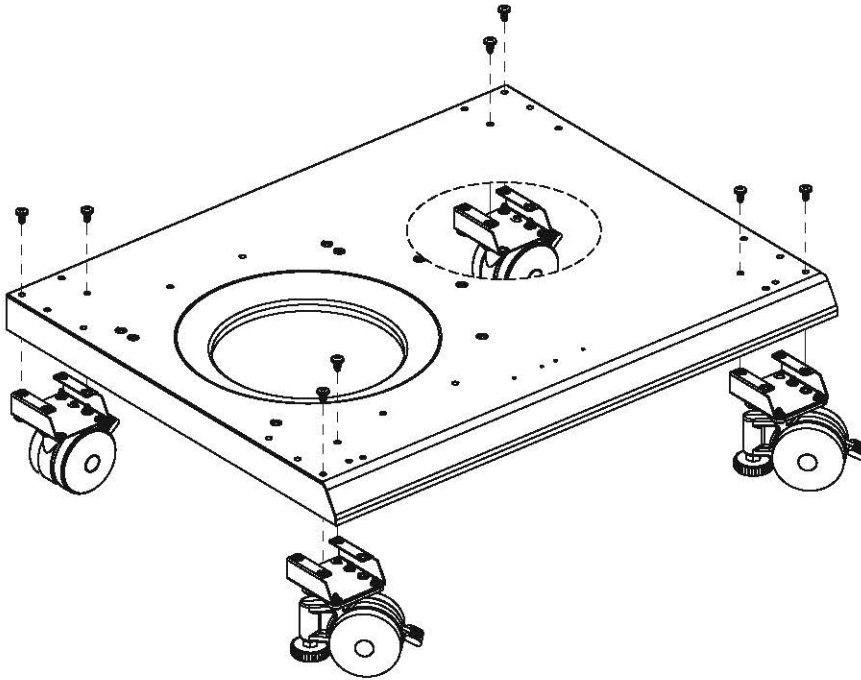


7/16"

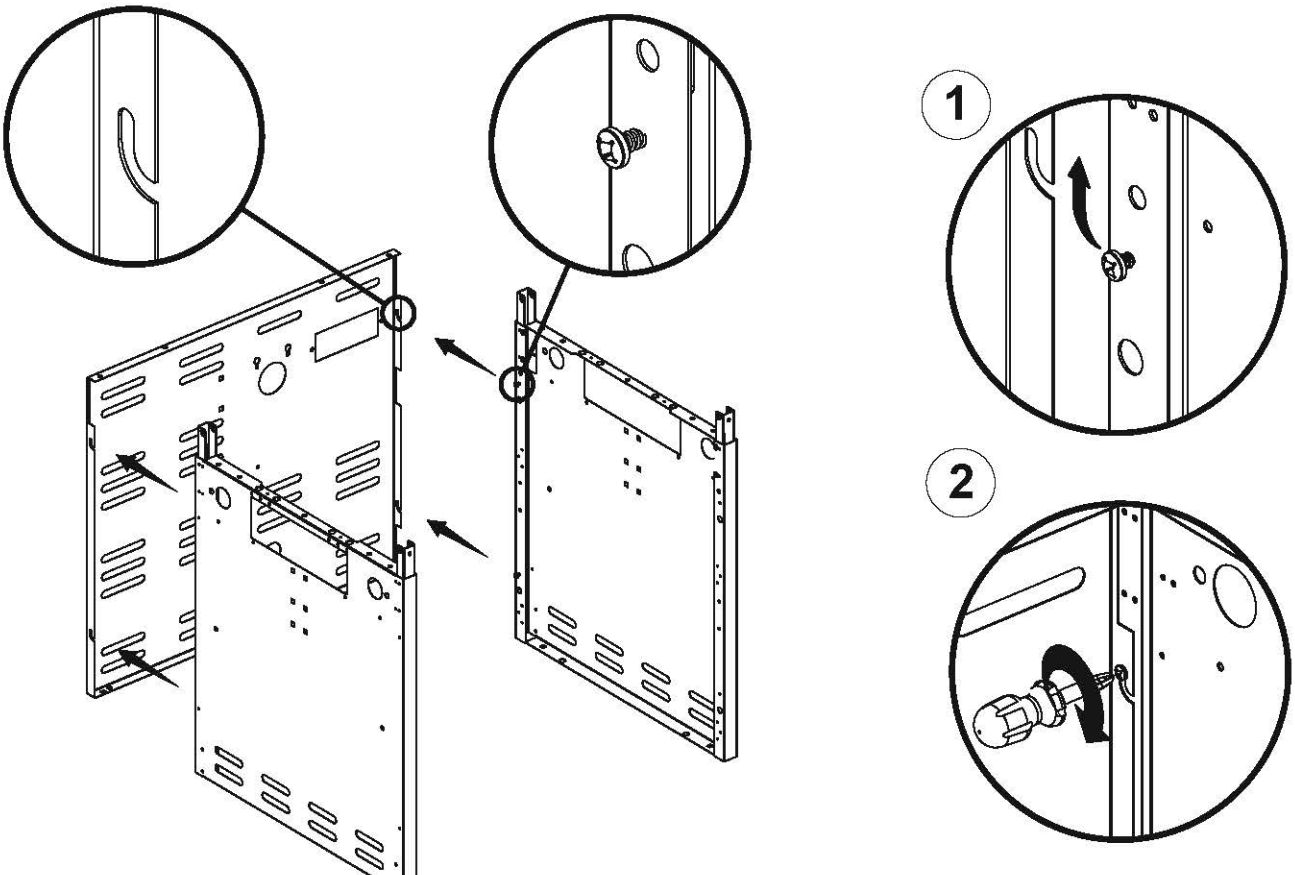


1

(8) 

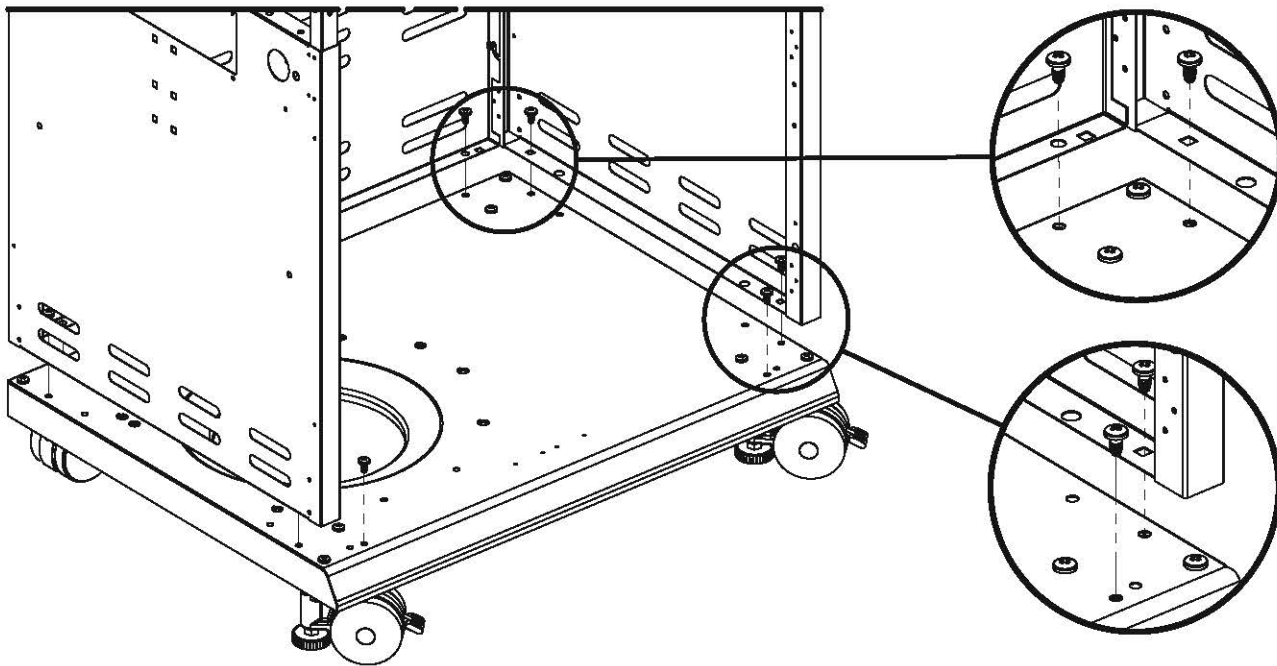
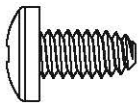


2



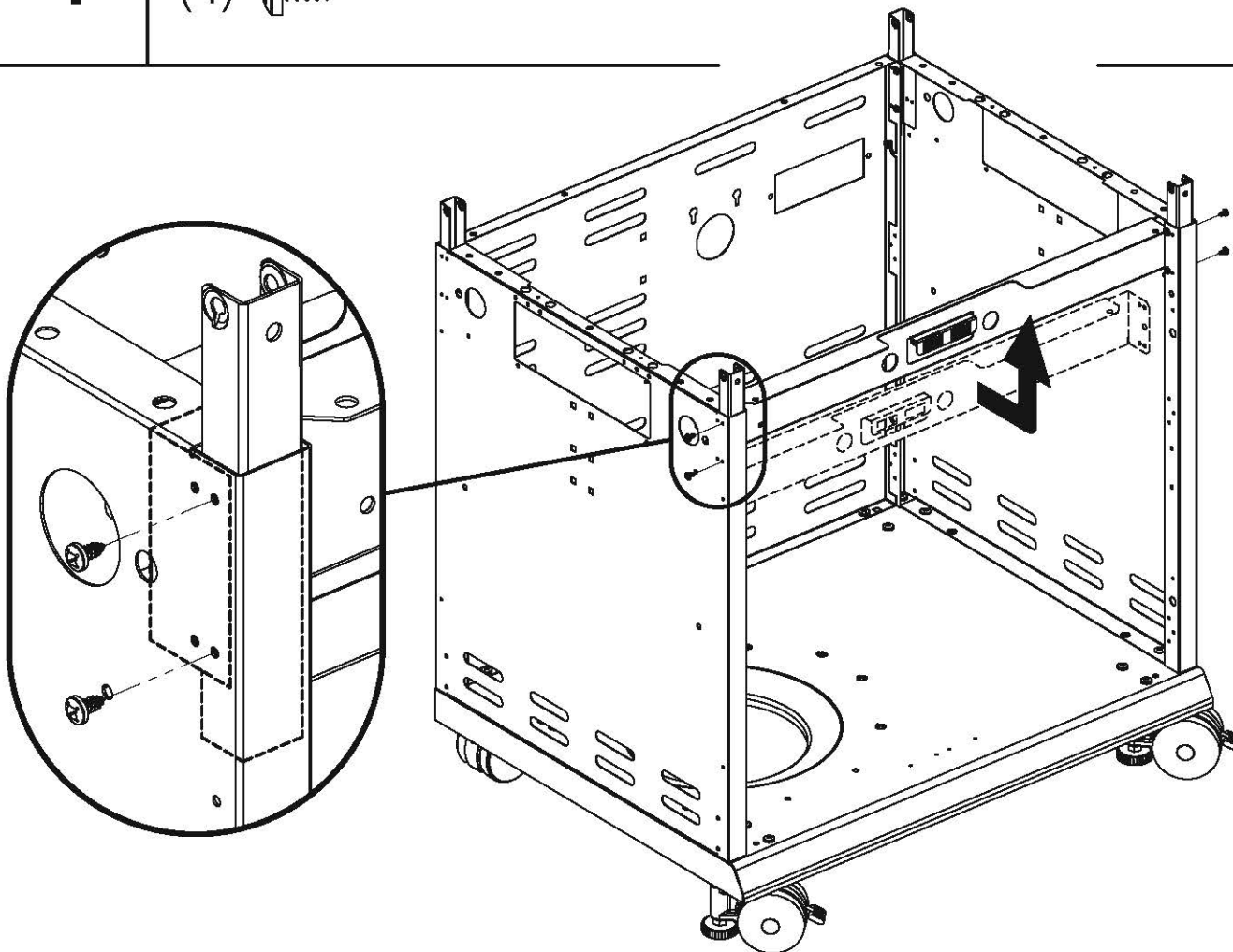
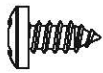
**3**

(8)



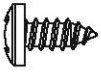
**4**

(4)

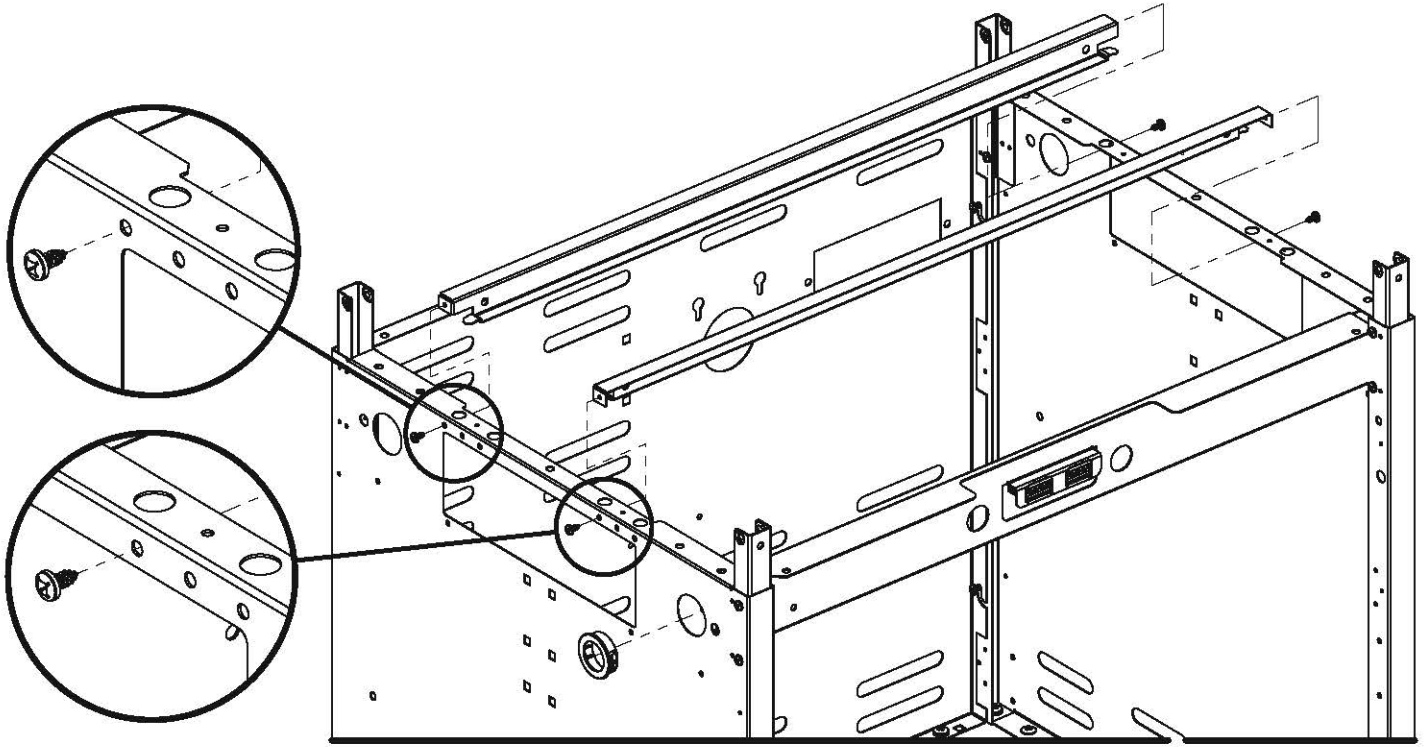


**5**

(4)

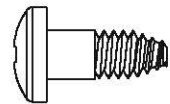


(1)

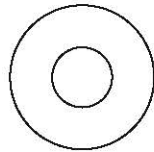


**6**

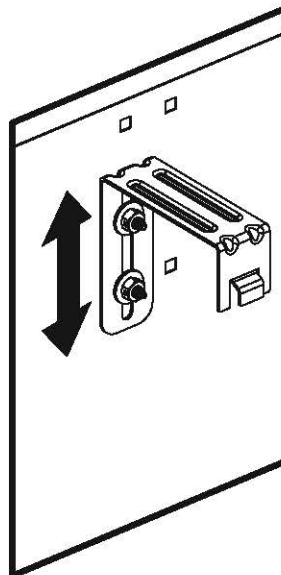
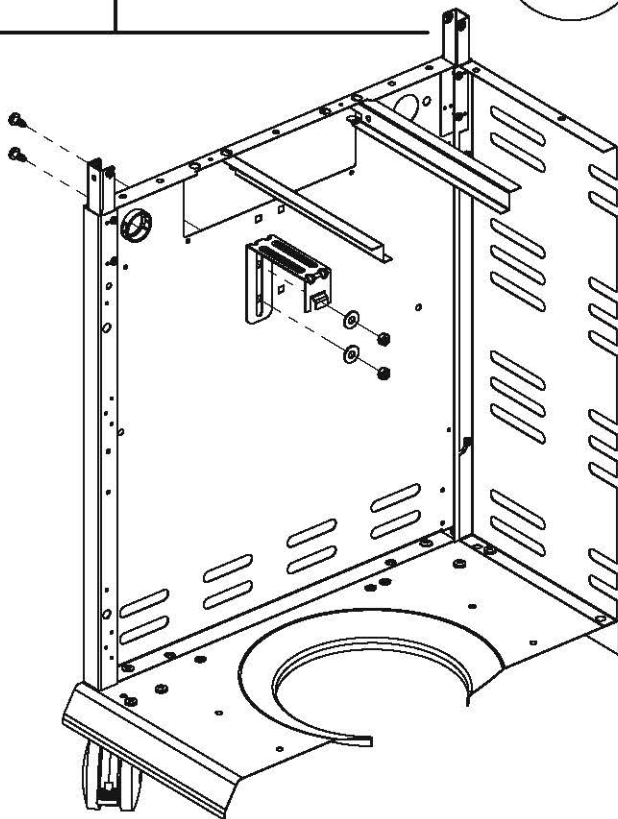
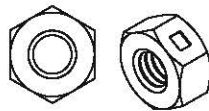
(2)



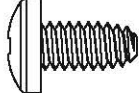
(2)

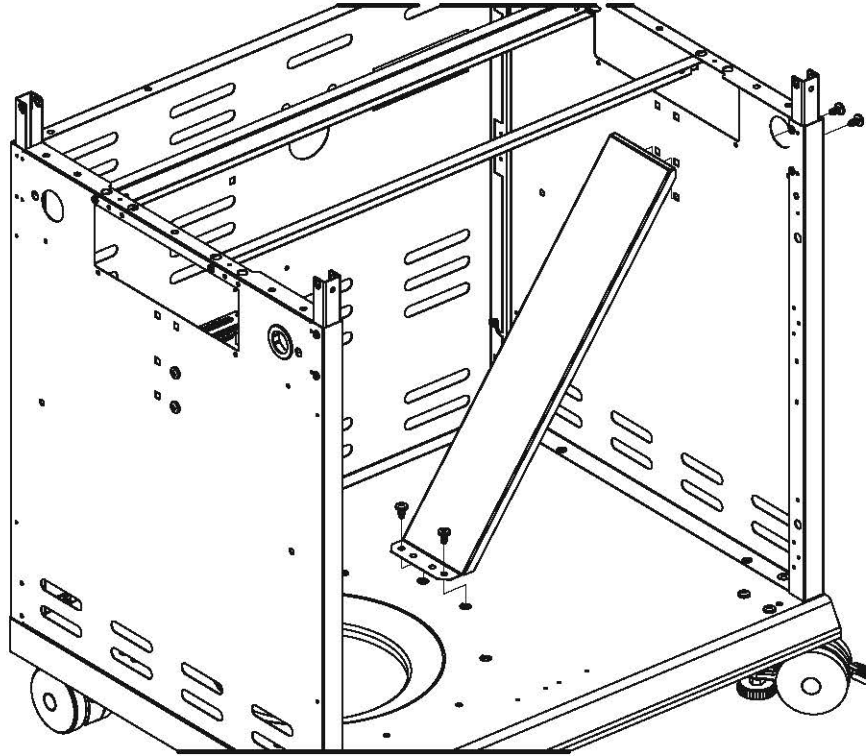


(2)

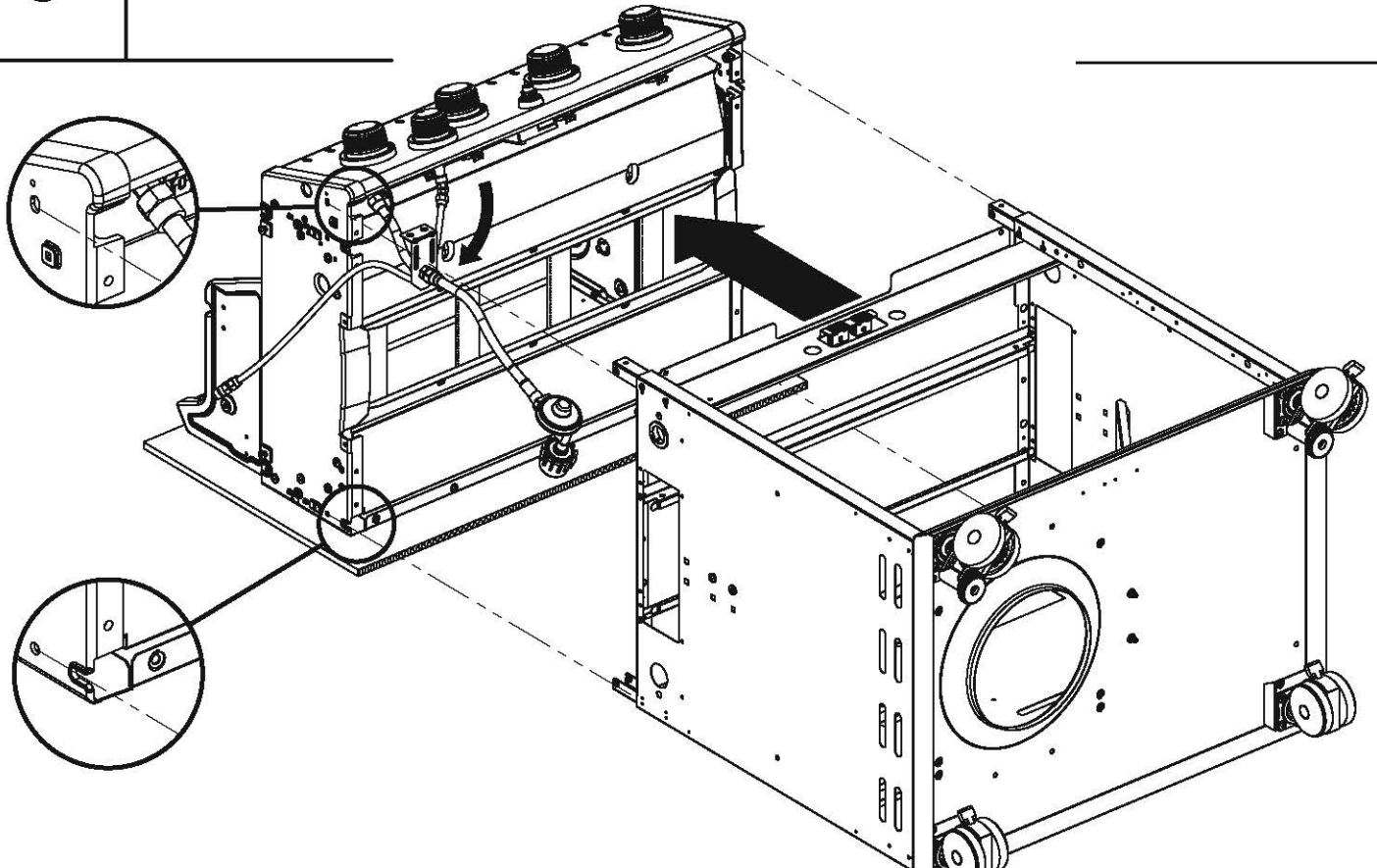


7

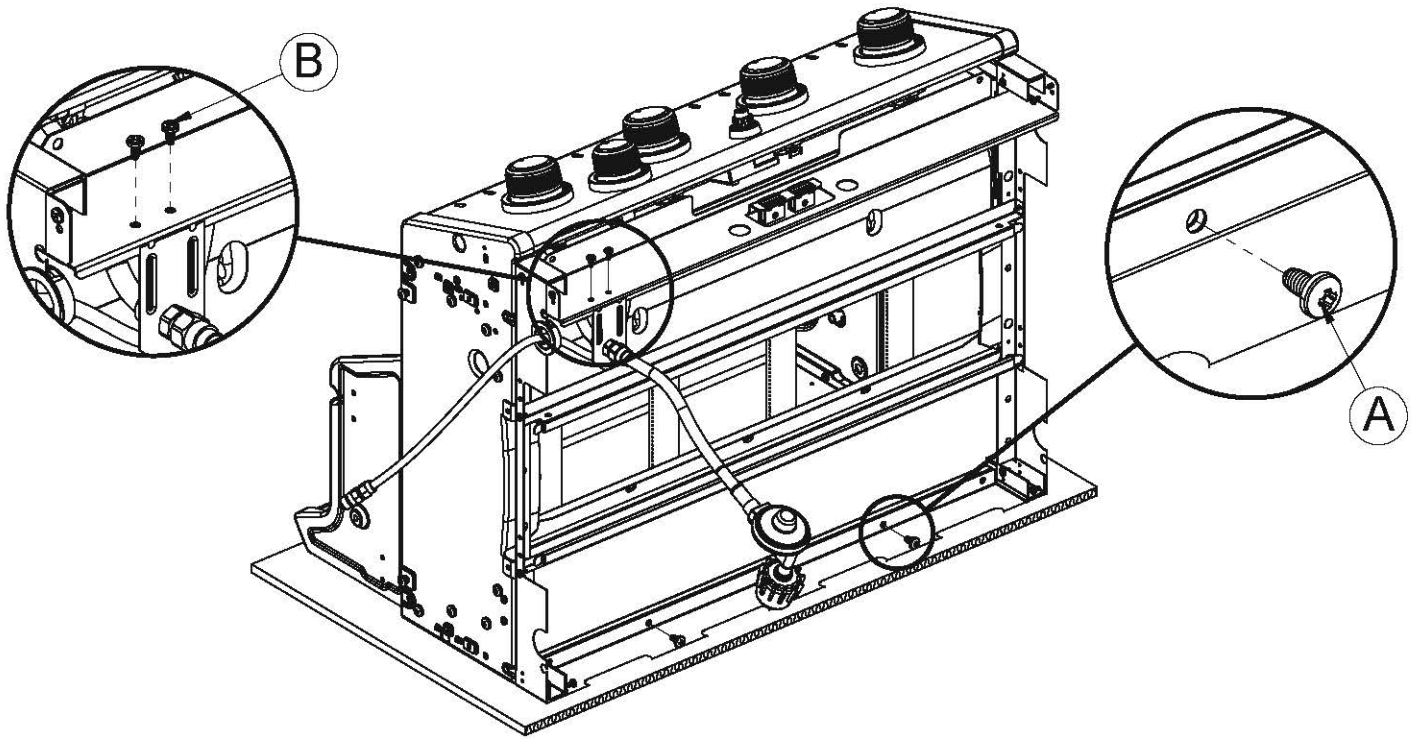
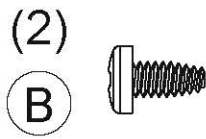
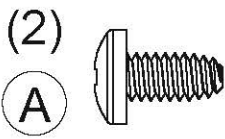
(4) 



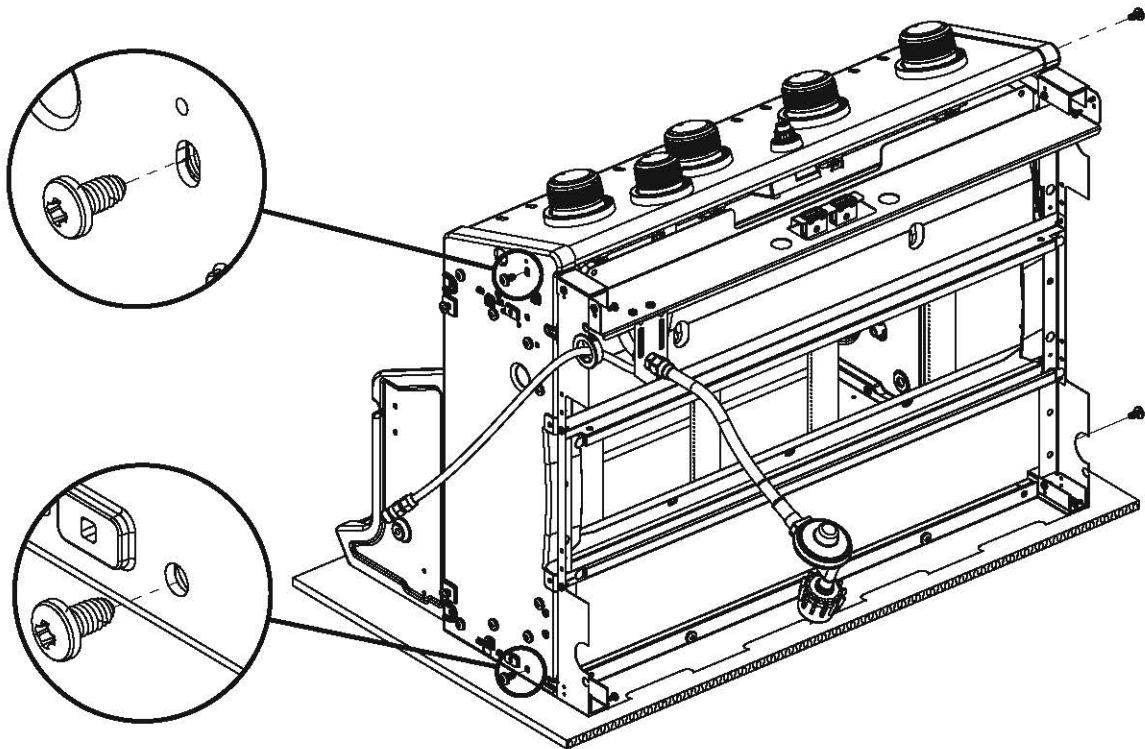
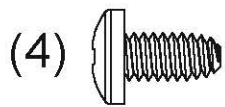
8



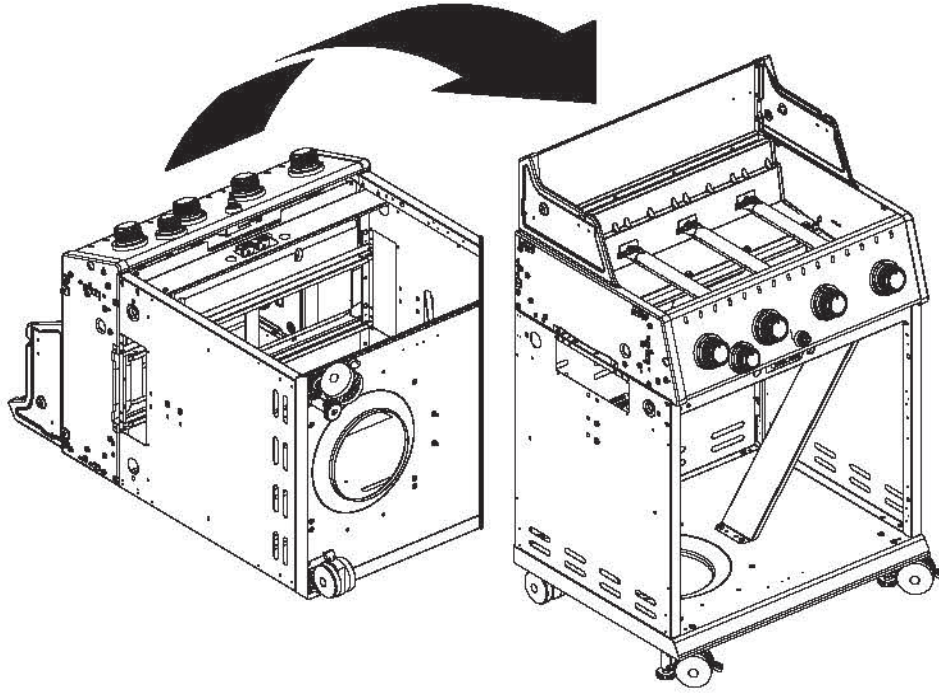
9



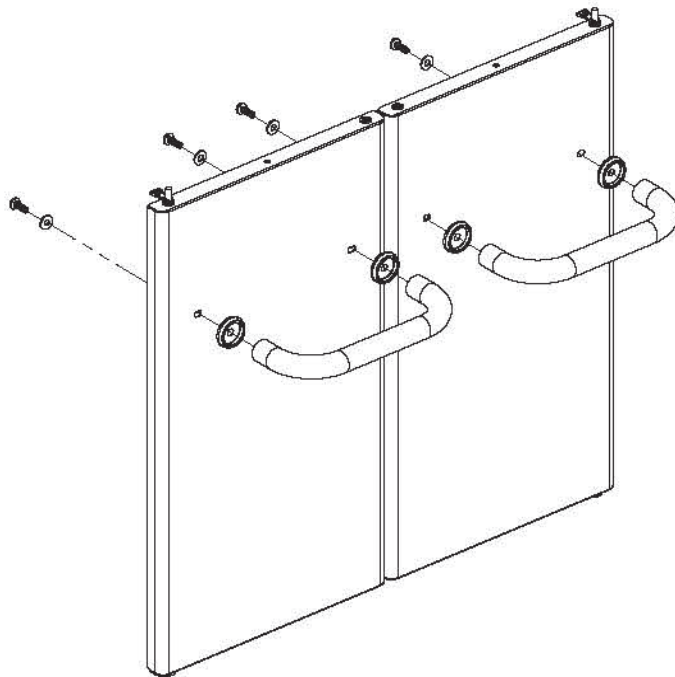
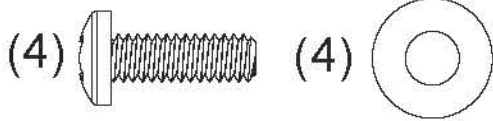
10



11

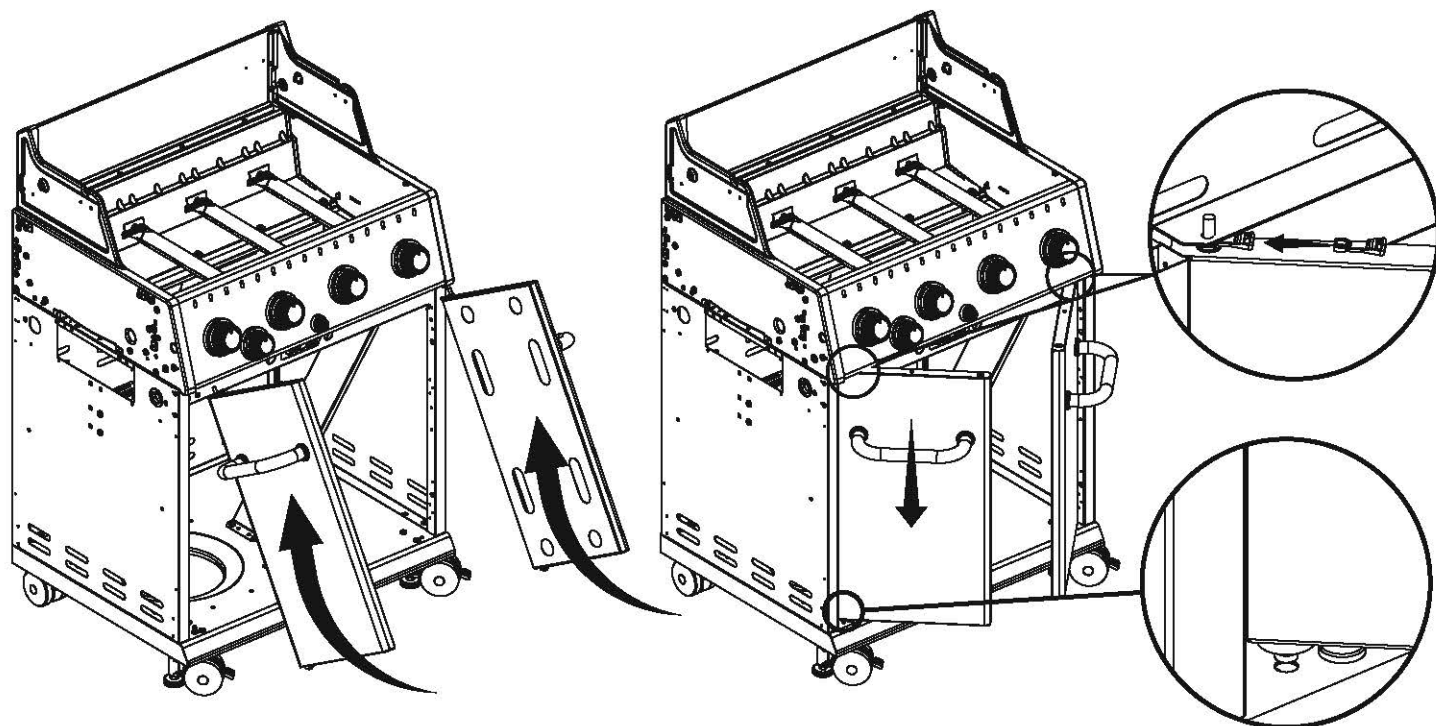
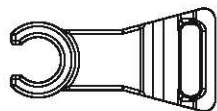


12



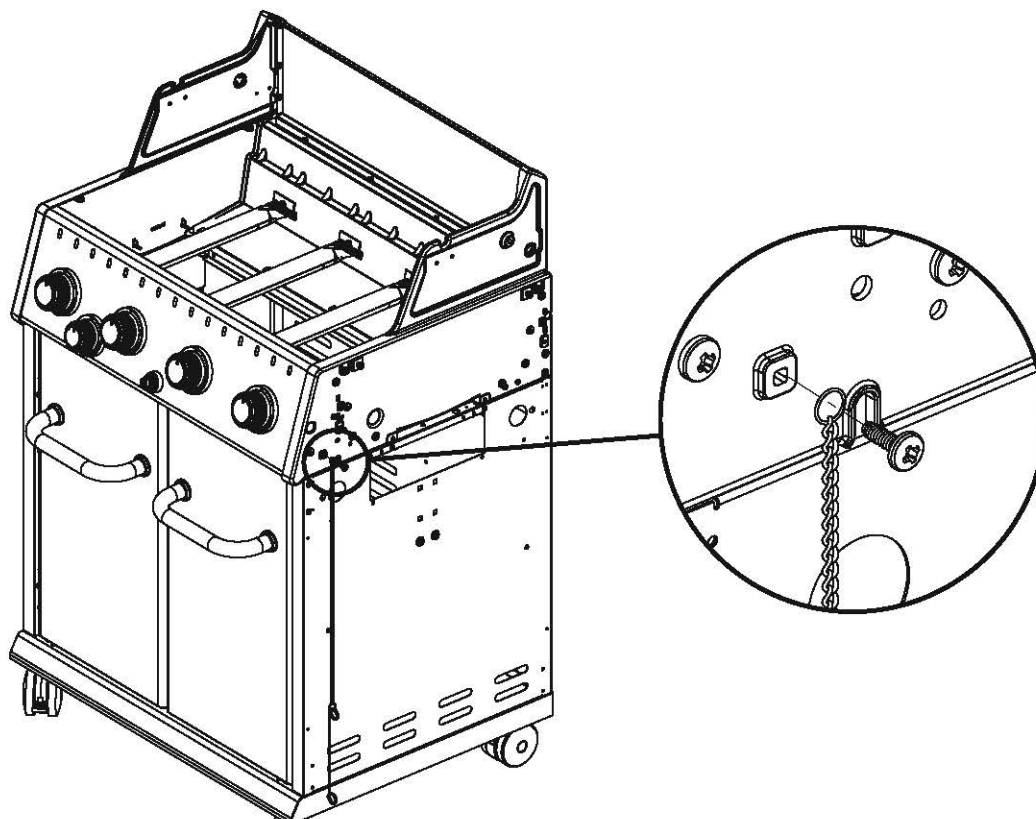
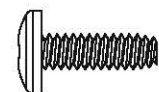
13

(2)

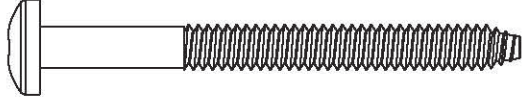


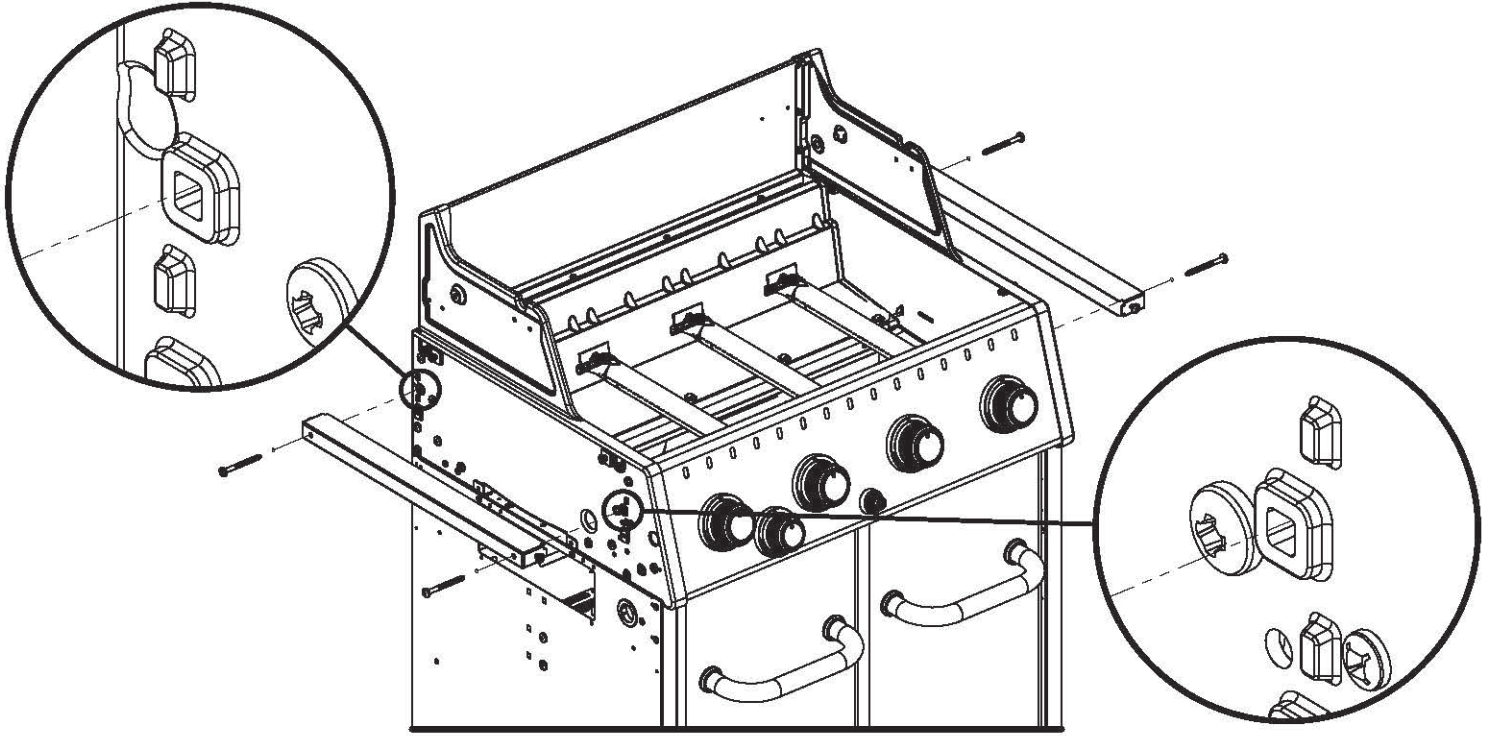
14

(1)

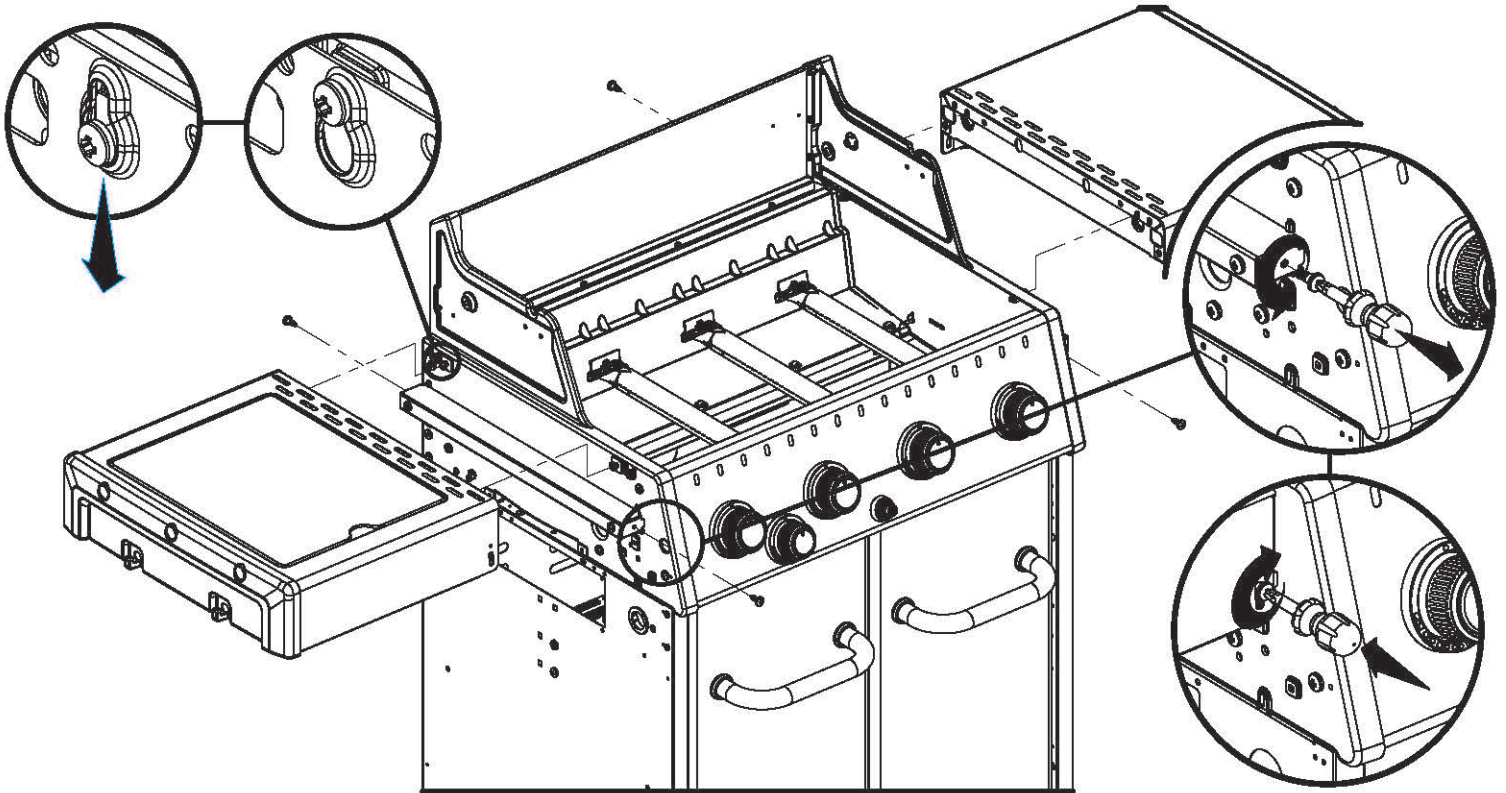


15

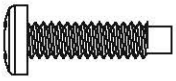
(4) 

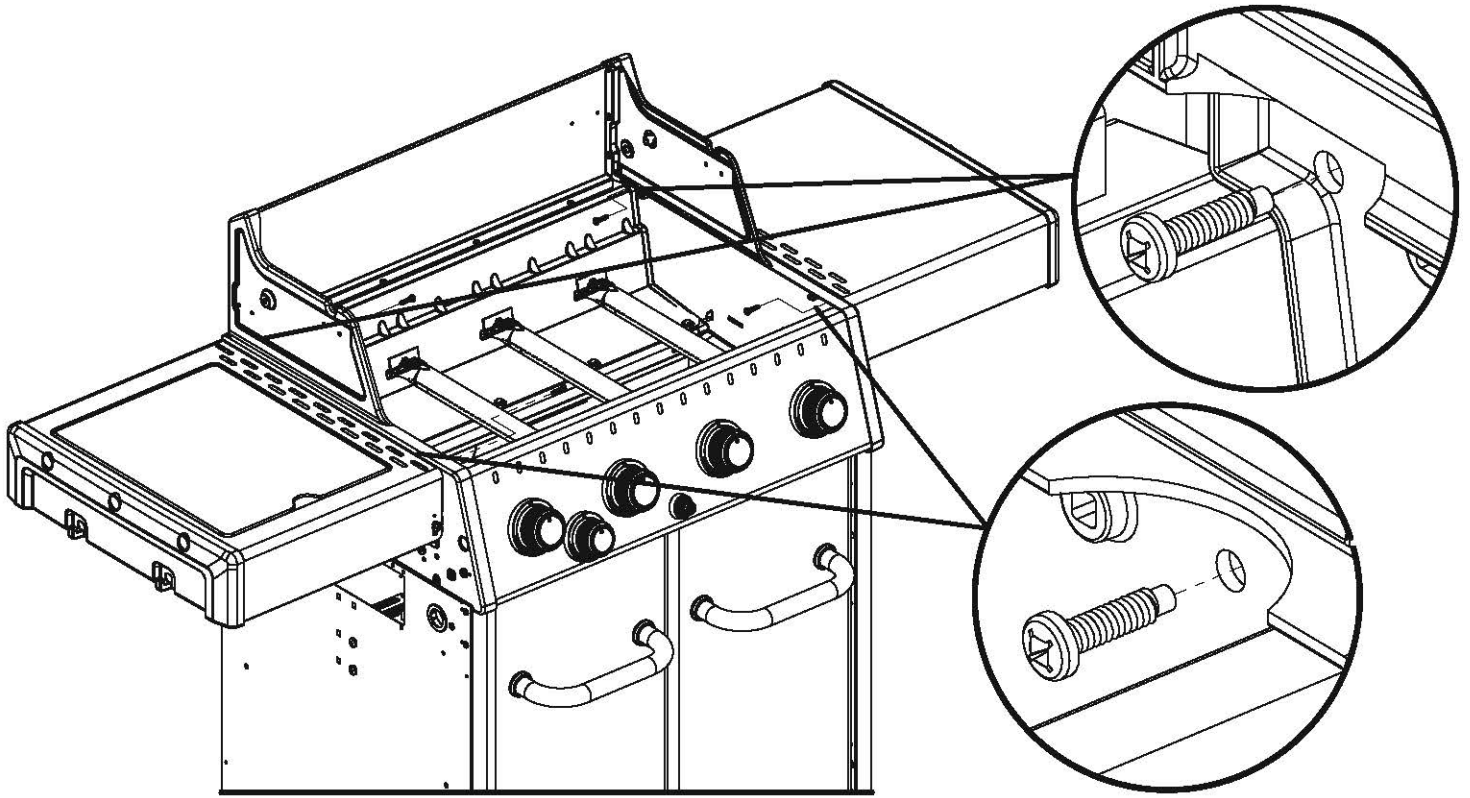


16

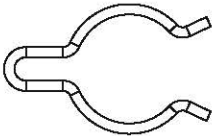


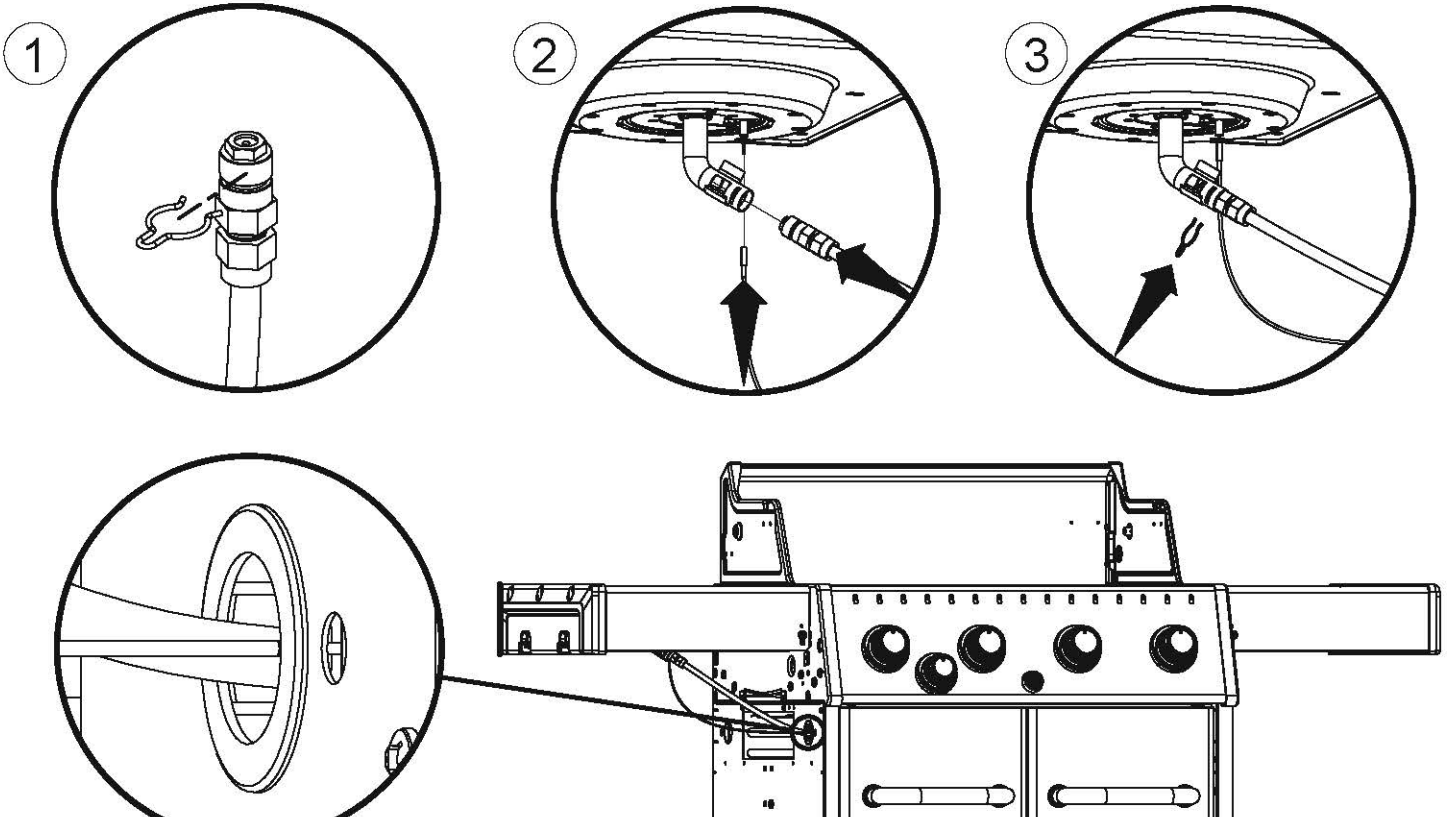
17

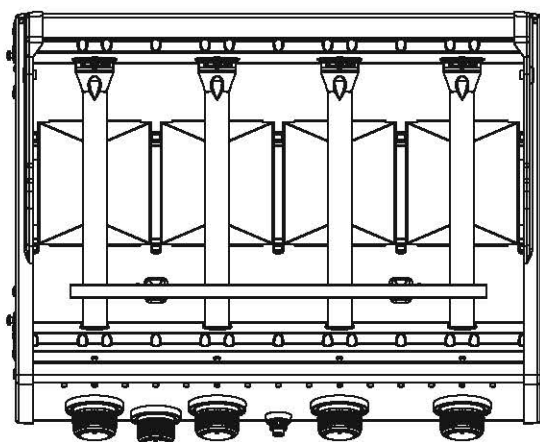
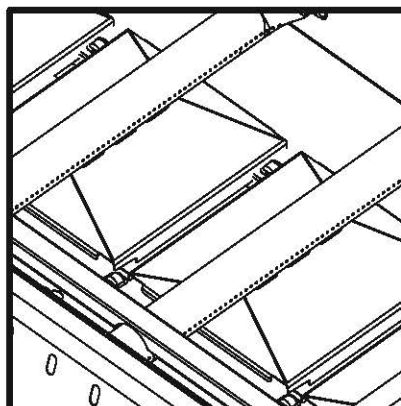
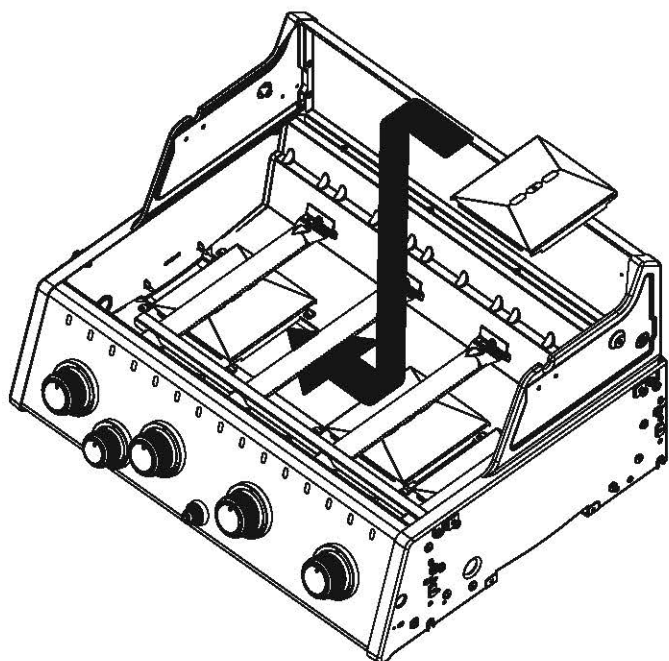
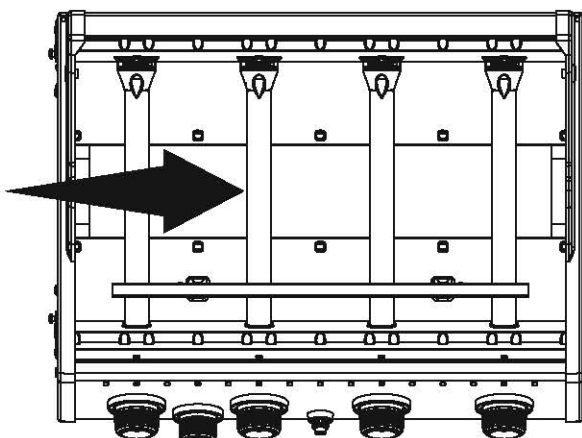
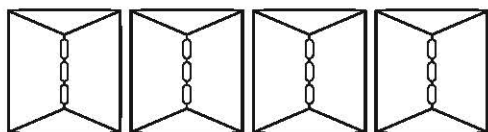
(4) 



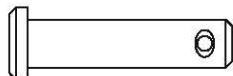
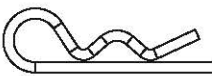
18

(1) 

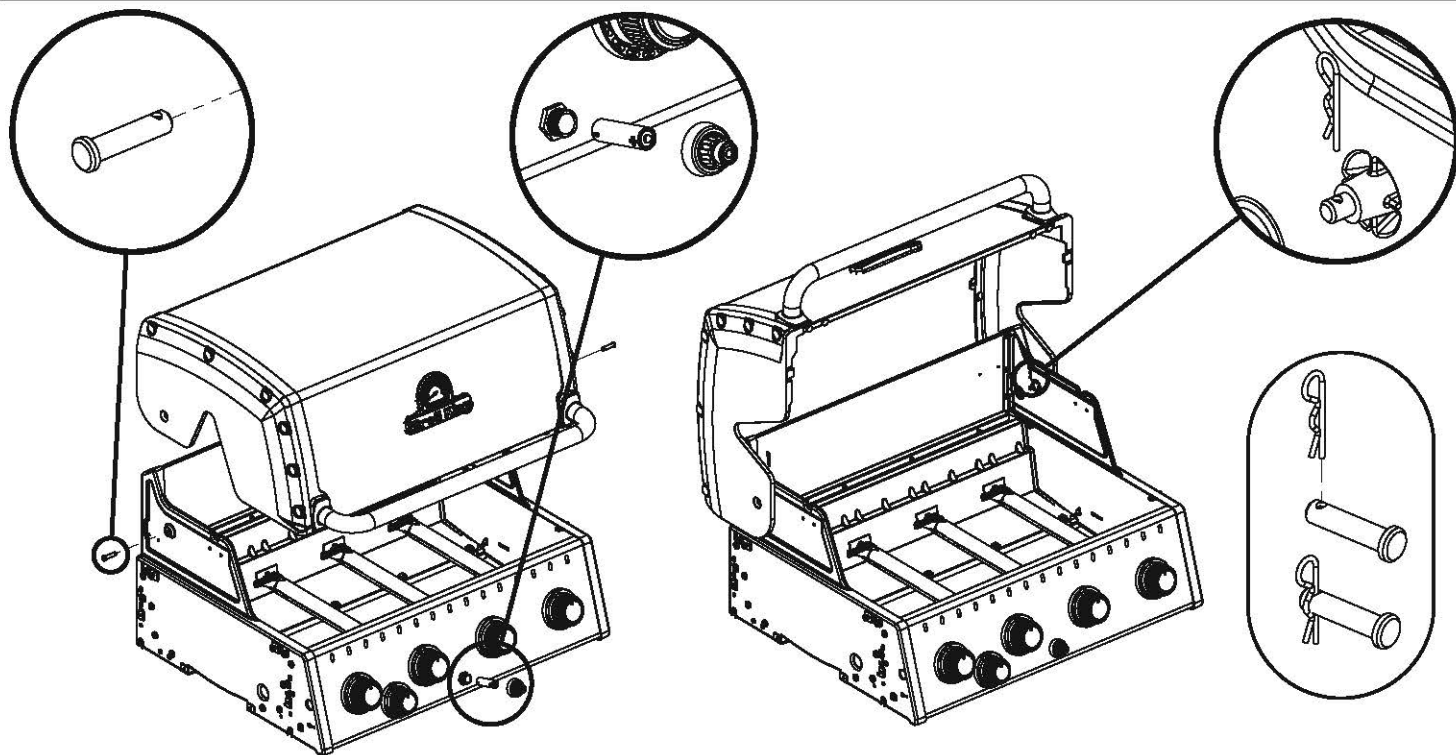




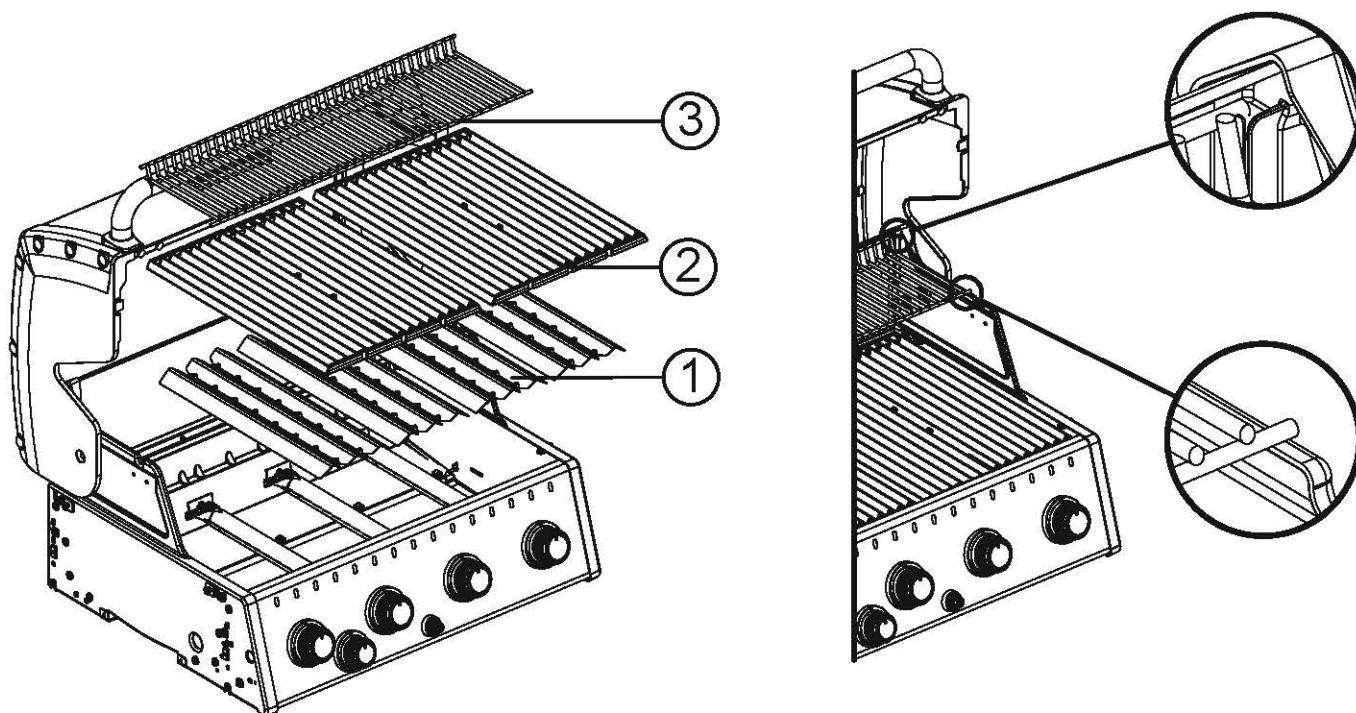
20

(2)  (2) 

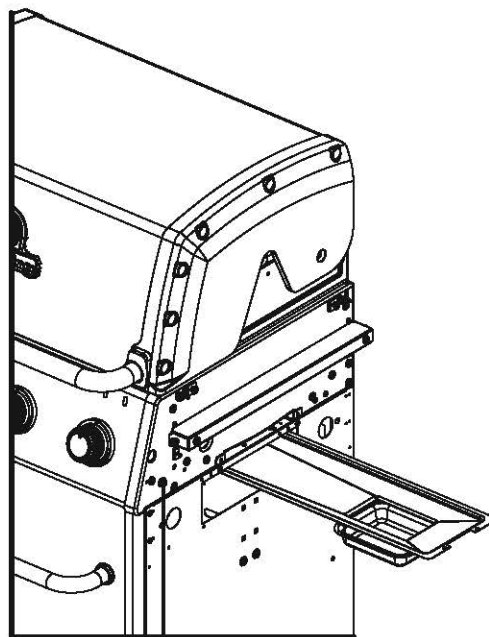
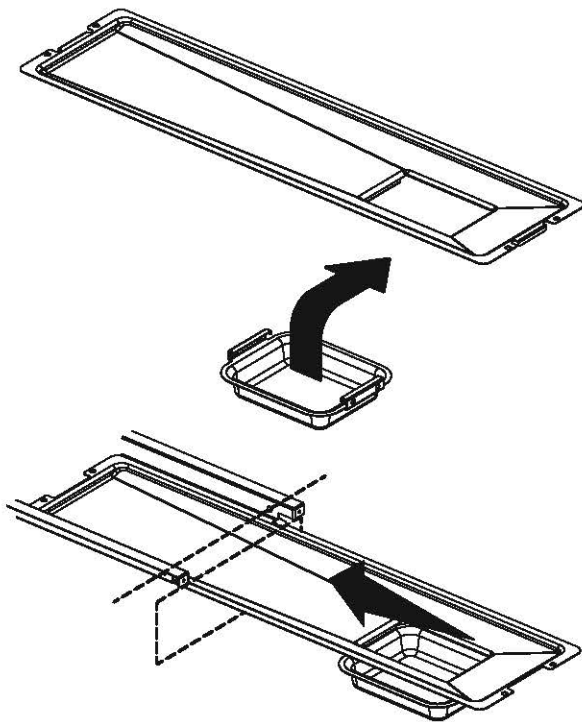
(1) 



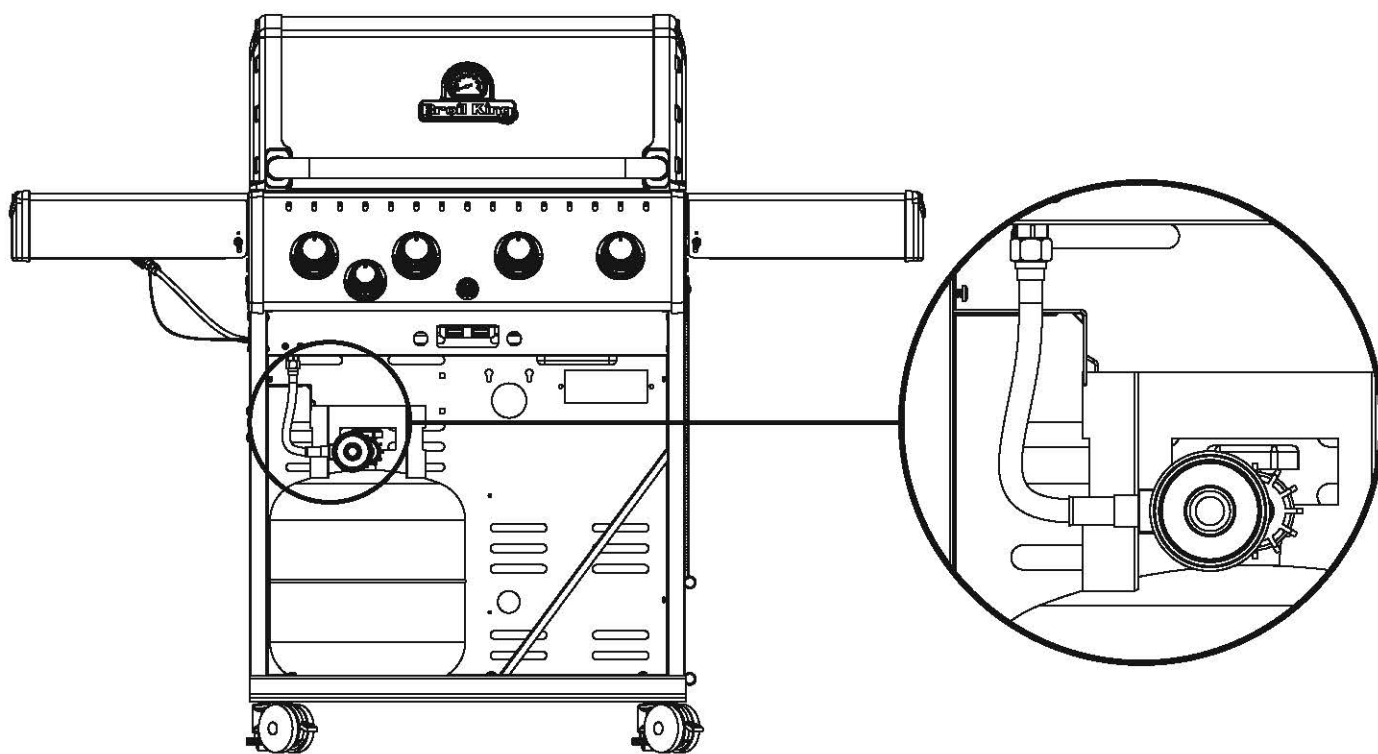
21

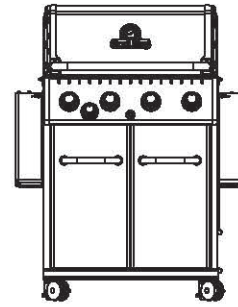
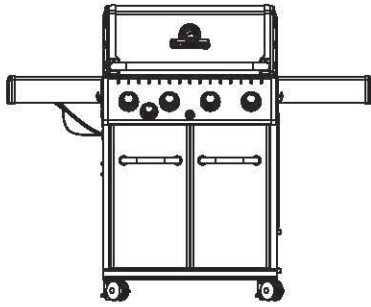


22

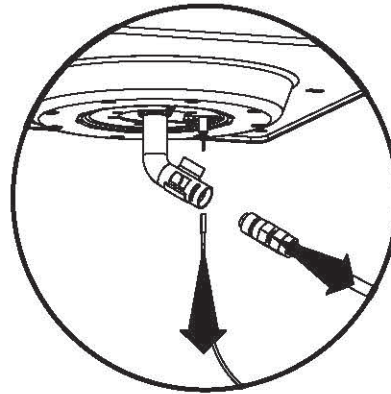
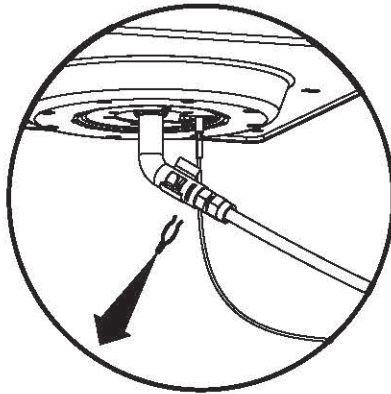


23

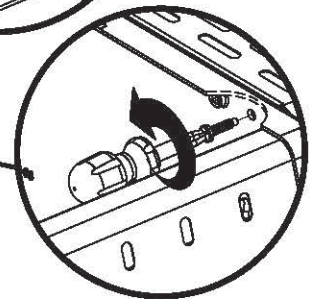
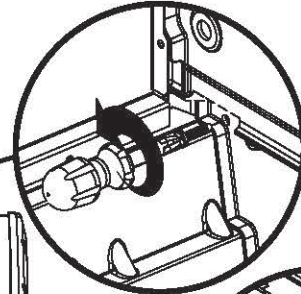
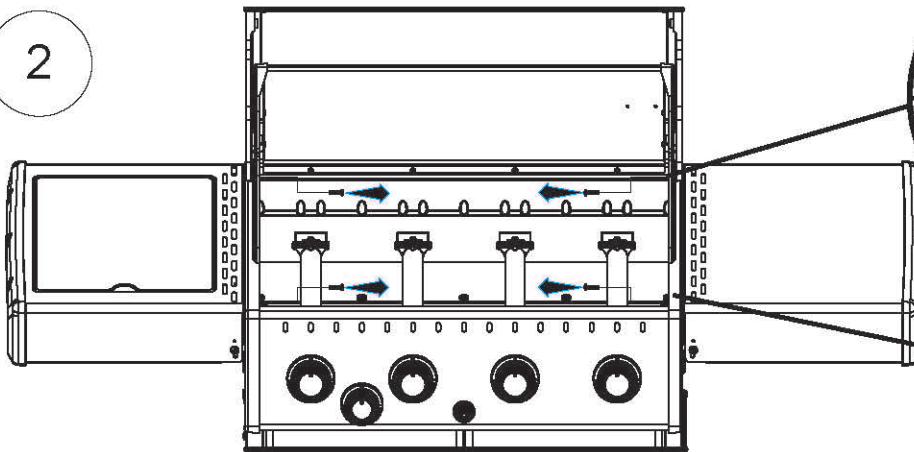




1



2



3

