

This Owner's Manual is provided and hosted by [Appliance Factory Parts](#).



LG LP1015WNR Owner's Manual

[Shop genuine replacement parts for LG LP1015WNR](#)



[Find Your LG Air Conditioner Parts - Select From 2330 Models](#)

----- Manual continues below part list -----

Available Replacement Parts for LG LP1015WNR

EAF34140248	Overload Protect
KK1000	FILTER WITH GRID, CUT TO FIT 15 x 24
COV30315201	Outsourcing Roller Each
COV30330701	Tube Assembly,suction,outsourcing
COV30331801	Outsourcing Capacitor
COV30331802	Outsourcing Capacitor
COV30332101	Outsourcing Louver
COV30330403	drain,cap
COV30330607	Tube Assembly,discharge,outsourcing
COV30331706	Outsourcing Transformer
COV30332409	Pcb Assembly,display,outsourcing
COV30332711	Drain Adaptor Middle Hose
COV30332815	Filter,air,outsourcing
COV30332908	Remote Control
COV32305701	Duct Assembly Light Gray



Internal Use Only

<http://biz.lgservice.com>


Portable Air Conditioner **SVC MANUAL(Exploded View)**

MODEL : LP1015WNR

CAUTION

Before Servicing the unit, read the safety precautions in General SVC manual.
Only for authorized service personnel.

1. Specification

Buyer Model	LP1015WNR	
LG Model	XWC101YAMK2	
PERFORMANCE		
Btu performance (Cooling) [Btu/h]	10000	
Btu performance (Cooling) [W]	2930	
Btu performance (Heating)	-	
EER [Btu/h/W]	9.2	
EER [W/W]	2.71	
COP	-	
Dehumid. (Pts/Hr)	2.6	
Dry Air Flow (CFM)	200	
dBA Level (Front)	55	
ELECTRICAL RATINGS		
		
Voltage / 60 Hz	115	
Plug Type		
Watts	1080	
Rated Amps	9.6	
FEATURES		
Display Panel	LED	
Thermostat Control	YES	
Remote Controller	YES	
Control Button Type	Standard	
Auto Swing	NO	
Energy saver switch	NO	
Auto Restart	Yes	
Auto Door Open/Close System	NO	
Timer	24Hr,On/Off	
Fan Speed : Cooling	2	
Fan Only	2	
Compressor	Rotary	
Indoor / Outdoor Fan Type	Blower	
Type Air Discharge	Inclinded	
Water Full Indicator	Yes(check)	
Outdoor Vent / Exhaust	Exhaust Only(1.5M)	
Power Cord		
Chassis Type	Fixed	
Panel Color	White	
Easy-Roll Casters	Yes	
Air Filter	Washable	
Window Installation Kit	Yes	
DIMENSIONS & WEIGHTS		
Net	Height_inch(mm)	31 9/32 (795)
	Width	17 1/32 (433)
	Depth	11 13/16 (300)
Carton	Height_inch(mm)	34 13/32 (880)
	Width	19 7/16 (494)
	Depth	15 1/2 (394)
Net Weight_lbs.(kg)		52.3(23.7)
Shipping Weight_lbs.(kg)		65(29.5)
Stuffing Quantity (20ft/40ft/40ft High)		128/276/412

Note:

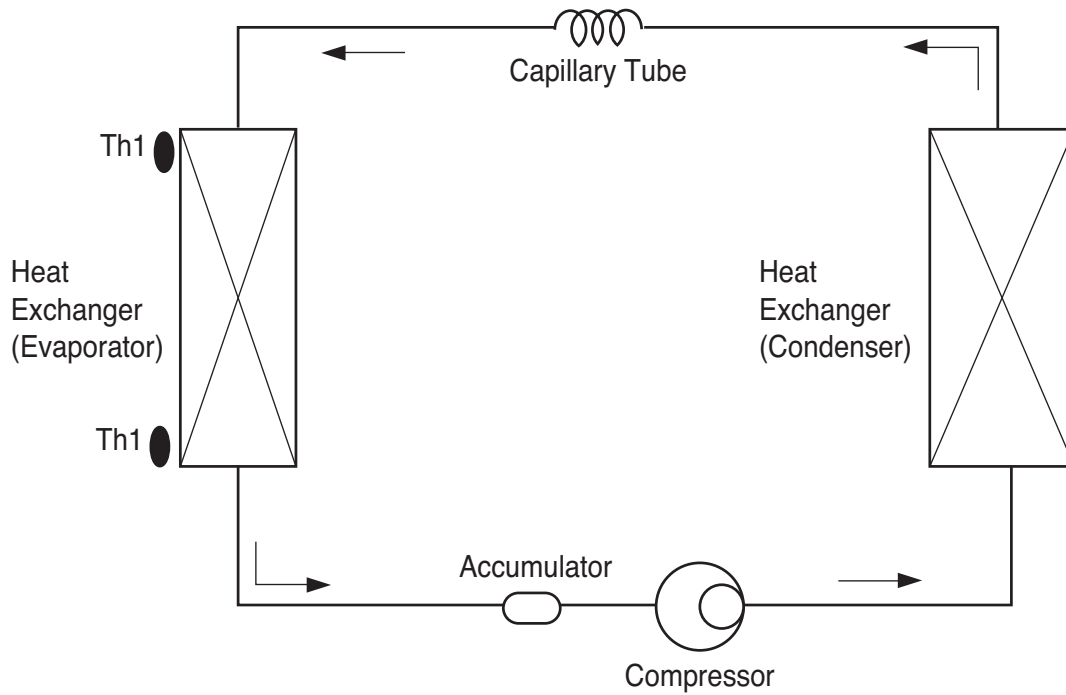
O : Applied, - : No relation

* For circuit breaker rating, please conform to local standards wherever necessary.

※ Some of functions are slightly different depending upon models.

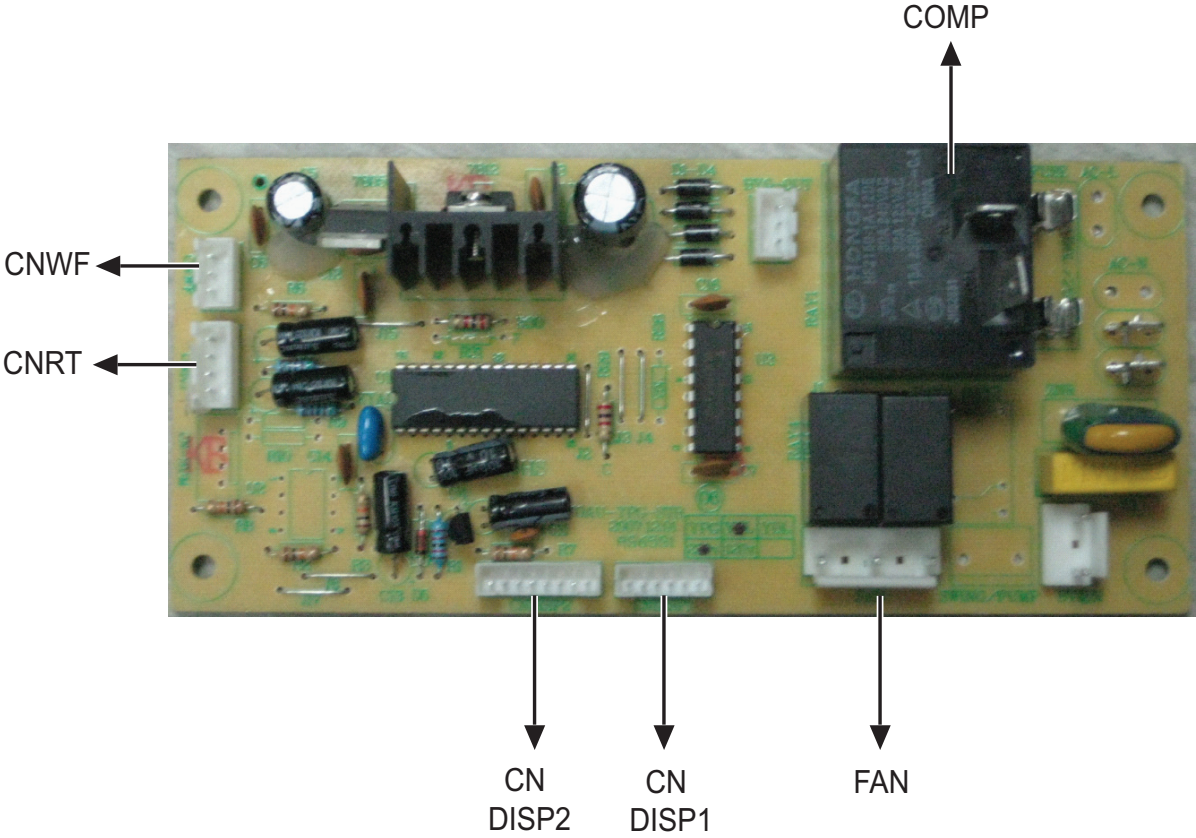
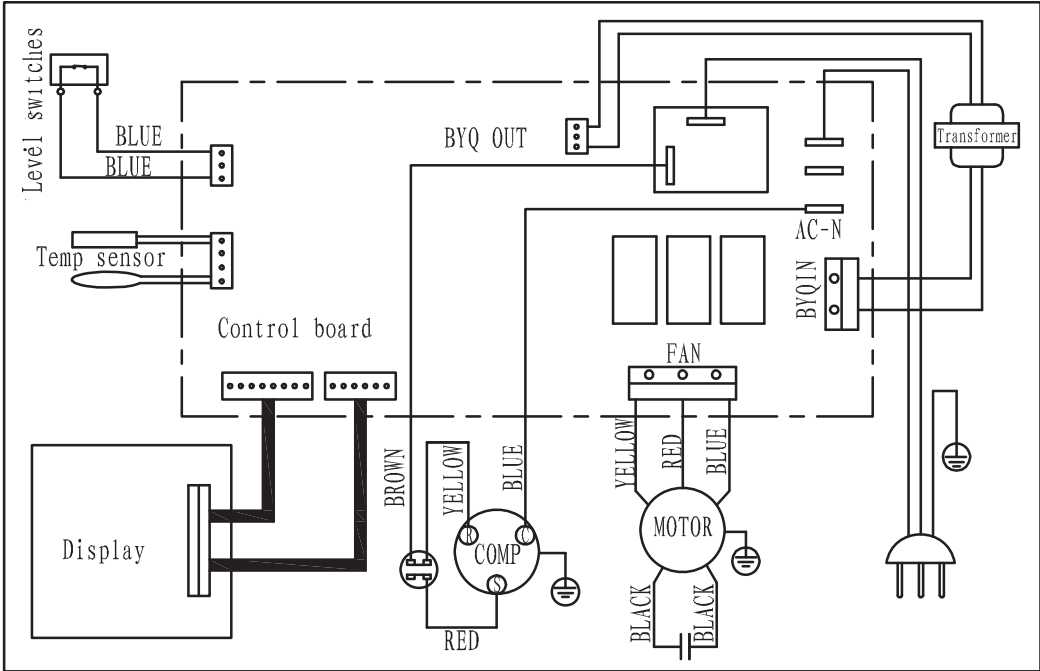
※ The specification may be subject to change without notice for purpose of improvement.

2. Piping Diagrams

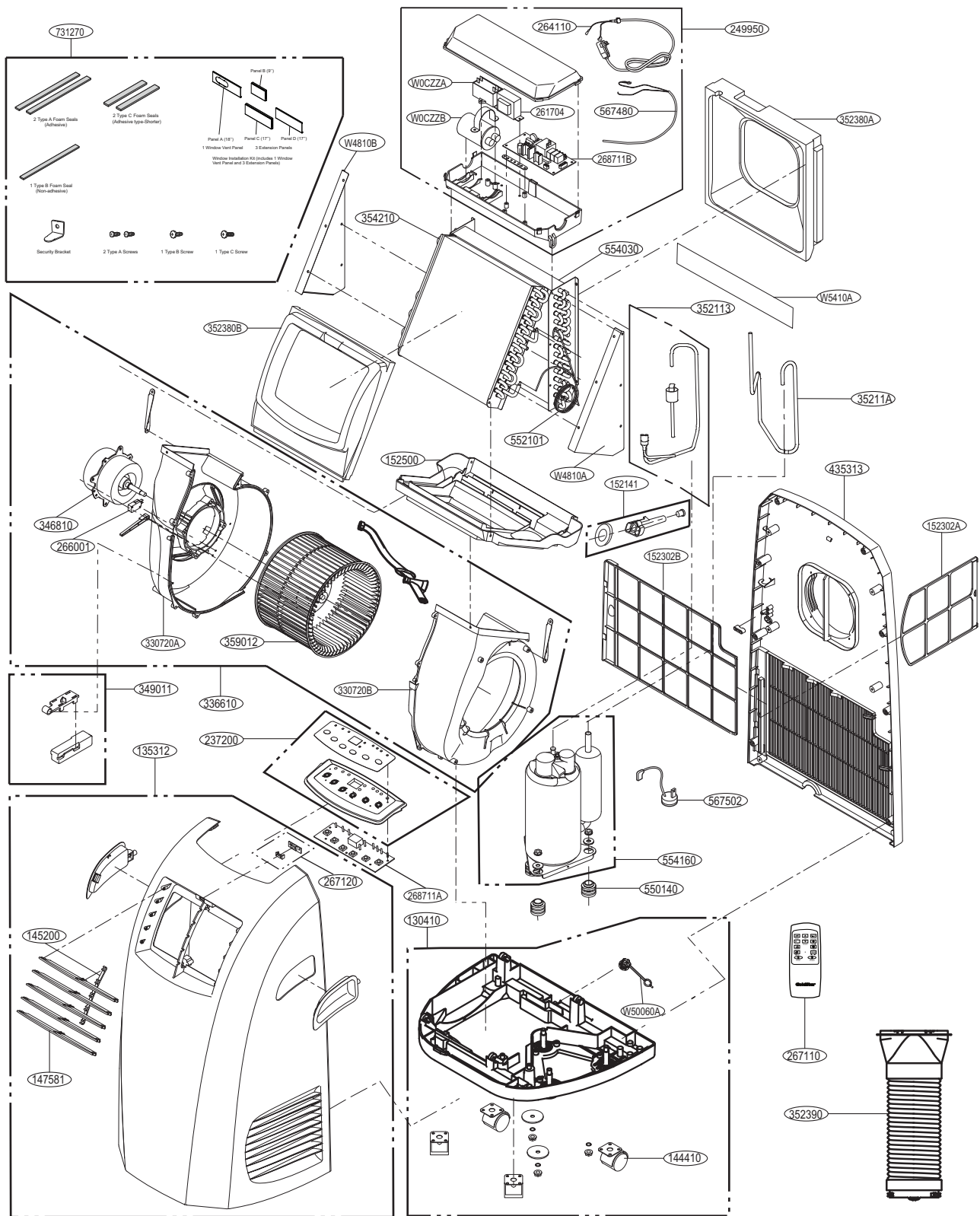


LOC.	Description	PCB Connector
Th1	Thermistor for indoor Air temperature	RT
	Thermistor for Evaporator pipe temperature	

3. Wiring Diagrams



4. Exploded View



Note) * Please ensure GCSC since the replacement parts may be changed depending upon the buyer's request. Please check the correct parts in View RPL(Replacement Part List) on GCSC. (GCSC Website <http://biz.Lgservice.com>.)



P/NO : MFL67876502

MARCH, 2015