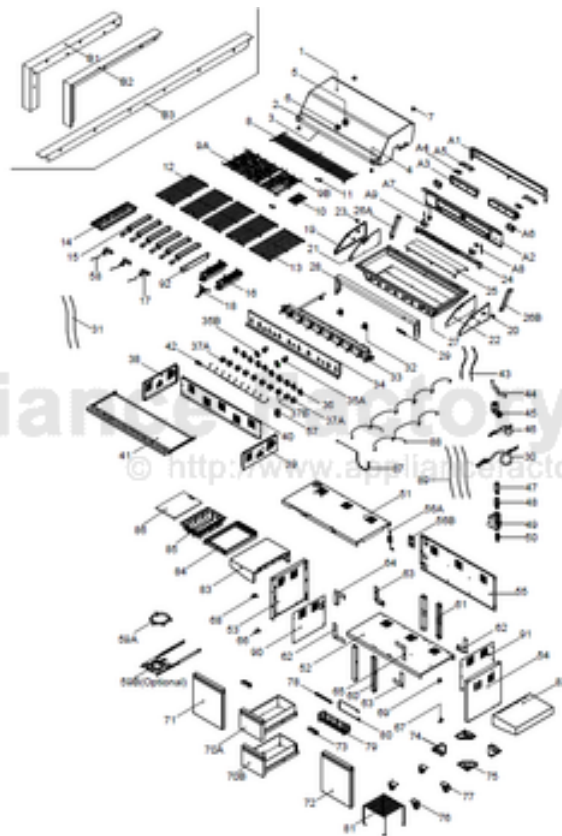


This Owner's Manual is provided and hosted by [Appliance Factory Parts](http://Appliance Factory Parts).



# Barbeques Galore BAI10ANG Owner's Manual

[Shop genuine replacement parts for Barbeques Galore  
BAI10ANG](#)



[Find Your Barbeques Galore Grill Parts - Select From 40 Models](#)

----- Manual continues below -----



America's Barbecue Grill Superstores

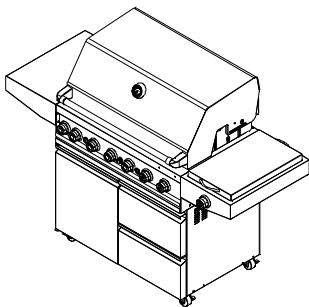


### Liquid Propane Gas (LPG) Grill

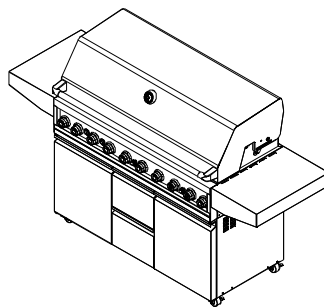
Models B3810ALP, B3810BLP, BAI10ALP & BAI10BLP

### Natural Gas (NG) Grill

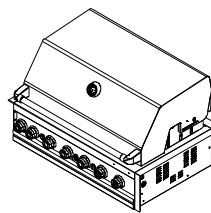
Models B3810ANG, B3810BNG, BAI10ANG & BAI10BNG



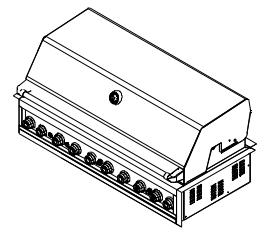
B3810ALP/NG



BAI10ALP/NG



B3810BLP/NG



BAI10BLP/NG

## FREE HELP FROM THE GRILL EXPERTS

Grand Hall is the expert on this product and trained to help you with:

- Y Assembly Questions
- Y Grill Operation
- Y Replacement of Damaged or Missing parts

visit [www.grandhall.com](http://www.grandhall.com) or call:

1-877-934-7455  
Monday - Friday 8:00am-4:30pm CST

## IMPORTANT:

**Y NOTE TO ASSEMBLER/INSTALLER:**  
Leave this manual with the consumer.

**Y NOTE TO CONSUMER:**  
Keep this manual for future reference.

**Y RECORD YOUR SERIAL #**  
\_\_\_\_\_  
(see silver CSA label on main body of grill)



## WARNING



- Y Failure to comply with these instructions could result in a fire or explosion that could cause serious bodily injury, death or property damage.
- Y Whether this grill was assembled by you or someone else, you must read this entire manual before using your grill to ensure the grill is properly assembled, installed and maintained.
- Y **Use your grill at least 3 feet away from any wall or surface.** Use your grill at least **3 feet away** from combustible objects that can melt or catch fire such as vinyl or wood siding, fences and overhangs or sources of ignition including pilot lights on water heaters and live electrical appliances.
- Y **THIS GAS APPLIANCE IS DESIGNED FOR OUTDOOR USE ONLY.**
- Y **Never** use your gas grill in a garage, porch, shed, breezeway or any other enclosed area.
- Y **Never** obstruct the flow of ventilation air around your gas grill housing.
- Y **Never** disconnect the gas regulator or any gas fitting while your grill is lit. A lit grill can ignite leaking gas and cause a fire or explosion which could result in property damage, personal injury or death.

## Table of Contents

Primary Safety Warnings.....	1-3
Pre-Assembly Instructions.....	3
Part Diagrams and Lists.....	4-15
Assembly Instructions.....	16-23
Use & Care Instructions:	
• Gas Safety and Leak Tests.....	24-27
• Natural Gas Connection.....	28
• Lighting Instructions.....	29-30
• Troubleshooting.....	31
• Rotisserie Instruction.....	32-34
Cleaning and Maintenance .....	35-36
Cooking Guide .....	A1-A5
Frequently Asked Questions .....	A6-A7
Warranty.....	Back Cover

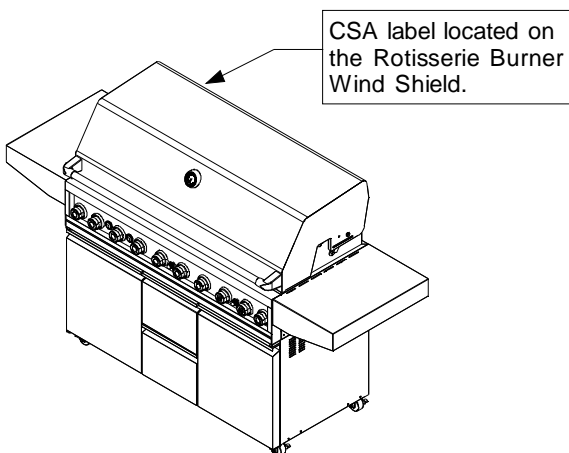
### WARNING

- This appliance, when installed, must be electrically grounded in accordance with local codes or, in the absence of local codes, with the *National Electrical Code, ANSI/NFPA 70*, or the *Canadian Electrical Code, CSA C22.1*.
- Keep any electrical supply cord and the fuel supply hose away from any heated surfaces.

### DANGER

#### If you smell gas:

1. Shut off gas to the appliance.
2. Extinguish any open flame.
3. Open lid.
4. If odor continues, keep away from the appliance and immediately call your gas supplier or your fire department.



### WARNING

1. Do not store or use gasoline or other flammable liquids or vapors in the vicinity of this or any other appliances.
2. An LP cylinder not connected for use shall not be stored in the vicinity of this or any other appliance.

### WARNING

- LPG models must be used with Liquid Propane Gas and the regulator assembly supplied. Natural Gas models must be used with Natural Gas only. Any attempt to convert the grill from one fuel type to another is extremely hazardous and will void the warranty.
- Keep gas regulator hose away from hot grill surfaces and dripping grease. Avoid unnecessary twisting of hose. Visually inspect hose prior to each use for cuts, cracks, excessive wear or other damage. If the hose appears damaged do not use the gas grill. Call 1-877-934-7455 for a certified replacement hose.
- **California Proposition 65**  
Combustion byproducts produced when using this product contain chemicals known to the State of California to cause cancer, birth defects, or other reproductive harm.  
  
Brass components on the grill, such as hose fittings, propane cylinder valves (sold separately) and burner valve stems, contain lead which is known to the State of California to cause cancer, birth defects, or other reproductive harm.
- **Never use charcoal** or lighter fluid in this gas grill. Failure to comply with these instructions could result in a grease fire or explosion that could cause serious bodily injury, death or property damage.
- The Grease Tray must be visually inspected before each grill use. Remove any grease and wash Grease Tray with a mild soap and warm water solution. **Failure to comply with these instructions could result in a grease fire or explosion that could cause serious bodily injury, death or property damage.**

## Pre-Assembly Instructions For Your Safety



### CAUTION

**Failure to comply with these instructions may result in a hazardous situation which, if not avoided, may result in injury.**

Spiders and small insects can spin webs and nest in the grill Burner Tubes during transit and warehousing which can lead to a gas flow obstruction resulting in a fire in and around the Burner Tubes. This type of "FLASHBACK FIRE" can cause serious grill damage and create an unsafe operating condition for the user.

**To reduce the chance of FLASHBACK FIRE you must clean the Burner Tubes as follows before initial use.** Also do this at least once a month in summer and fall or whenever spiders are active in your area, and if your grill has not been used for an extended period of time.

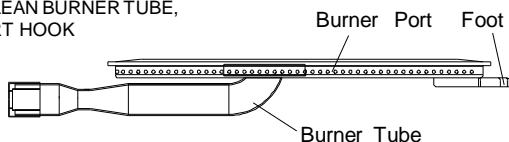
1. Remove the screws from the rear of each Main Burner using a Phillips Head Screwdriver.
2. Carefully lift each Burner up and away from the Gas Valve Orifice.
3. Check and clean Burner/Venturi Tubes for insects and insect nests. A clogged tube can lead to a fire beneath the grill.
4. Refer to the figure below and perform one of these 3 cleaning methods:

- METHOD 1:** Bend a stiff wire or wire coat hanger into a small hook as shown and run the hook through the Burner Tube and inside the Burner several times to remove debris.



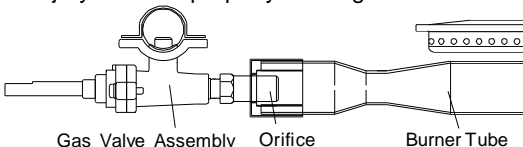
TO CLEAN BURNER TUBE,  
INSERT HOOK  
HERE

9



- METHOD 2:** Use a bottle brush with a flexible handle and run the brush through the Burner Tube and inside the Burner several times to remove any debris.
- METHOD 3:** Use an air hose to force air through each Burner Tube. The forced air should pass debris or obstructions through the Burner and out the Ports.

For safe operation ensure the Gas Valve Assembly Orifice is inside the Burner Tube before using your grill. (See figure). If the Orifice is not inside the Burner Tube, lighting the Burner may cause explosion and/or fire resulting in serious bodily injury and/or property damage.



### PRE-ASSEMBLY

Read and perform the following pre-assembly instructions:

- Tools Required for Assembly:**
- protective work gloves
  - protective eyewear
  - Phillips Head Screwdriver
- You will need assistance from 2 people to handle the grill head and other large, heavy parts.
- Open lid of shipping carton. Remove top sheet of cardboard and packing materials. Lay cardboard sheet on floor and use as a work surface to protect floor and grill parts from scratches.
- You may slice the carton front corners with a utility knife to lay open the carton front panel. This allows you to raise the Lid and remove the components packed inside, making it easier to lift.
- Use the Hardware and Part Diagrams to ensure all items are included and free of damage.
- Do not throw away the bags of hardware that are included with boxed parts. These are required for assembly.
- Do not assemble or operate the grill if it appears damaged. If there are damaged or missing parts when you unpack the shipping box or you have questions during the assembly process call **1-877-934-7455** M-F 8AM-4:30PM CST for assistance.

#### Grill Installation Codes

The installation must conform with local codes or, in the absence of local codes, with either the National Fuel Gas Code, ANSI Z223.1/NFPA 54, Natural Gas and Propane Installation Code, CSA B149.1, or Propane Storage and Handling Code, B149.2.

**WARNING:** Grease can get very hot. Always handle the Grease Tray with a flame retardant BBQ mitt. Before removing the Tray, always be sure that the grill has properly cooled. Be aware that the Tray does contain grease and be extremely careful when removing the Tray to prevent spillage. Failure to follow these instructions could cause serious bodily injury or property damage.



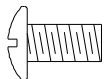
### CAUTION

**When using electrical appliances, basic safety precautions should always be used.**

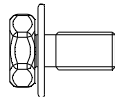
## Hardware Parts List for Models B3810ALP/NG & B3810BLP/NG

PART #	PART DESCRIPTION	QTY	PURPOSE OF PART
P06030012A	Hardware Pack	1	For use in assembly of B3810ALP/NG & B3810BLP/NG Models
S162G04081	Hex Head Screw 1/4"x1/2"	5	Install Bowl to Cart (for B3810ALP/NG Models)
S112G04081	Phillips Head Screw 1/4"x1/2"	2	
S362G04061	Flange Nut 1/4"	2	
S112G04041	Phillips Head Screws 1/4"x1/4"	2	Install Transformer Bracket to the Left Panel of the Bowl Frame (for B3810BLP/NG Models)
S411G04011	Plain Washer 1/4"	2	
S182G03061	Pan Head Screw 3/16"x3/8"	2	Install the LP Regulator Brackets (for B3810BLP Models)
S182G03061	Pan Head Screw 3/16"x3/8"	3	Install the Tank Tray Set (for B3810ALP & B3810BLP Models)
S112G04081	Phillips Head Screw 1/4"x1/2"	11	Install Bowl Side Trim Panel (for B3810BLP/NG Models)
Already installed in the Left/Right Panels of Bowl Frame			
S112G04081	Phillips Head Screw 1/4"x1/2"	4	
S362G04061	Flange Nut 1/4"	4	
Already installed in the Left Cart Side Panel Trim Plate			
S112G03081	Phillips Head Screw 3/16"x1/2"	6	Install Left Cart Side Panel Trim Plate (for B3810ALP/NG Models)

## Hardware Diagram for Models B3810ALP/NG & B3810BLP/NG



Phillips Head Screw  
1/4"x1/2"  
Qty. 13  
Part # S112G04081



Hex Head Screw  
1/4"x1/2"  
Qty. 5  
Part # S162G04081



Phillips Head Screw  
1/4"x1/4"  
Qty. 2  
Part # S112G04041



Pan Head Screw  
3/16"x3/8"  
Qty. 5  
Part # S182G03061

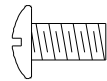


Plain Washer 1/4"  
Qty. 2  
Part # S411G04011

Already installed in the Left/Right Panels of the Bowl Frame



Flange Nut 1/4"  
Qty. 4  
PPart # S362G04061



Phillips Head Screw  
1/4"x1/2"  
Qty. 4  
Part # S112G04081

Already installed in the Left Cart Side Panel Trim Plate



Phillips Head Screw 3/16"x1/2"  
Qty. 6  
Part # S112G03081



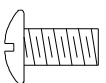
Flange Nut 1/4"  
Qty. 2  
Part # S362G04061

\*One Battery/AA included in the Hardware Pack

## Hardware Parts List for B3810ALP/NG Cart Model

PART #	PART DESCRIPTION	QTY	PURPOSE OF PART
P06030013A	Hardware Pack	1	For use in assembly B3810ALP/NG Cart Models
S112G04081	Phillips Head Screw 1/4"x1/2"	10	Install Side Shelves
Already installed in the Left/Right Panels of Bowl Frame			
S112G04081	Phillips Head Screw 1/4"x1/2"	4	
S362G04061	Flange Nut 1/4"	4	
Already installed in the Rear Panel of the Bowl Frame			
S112G04081	Phillips Head Screw 1/4"x1/2"	1	Install the Side Burner Lid Chain

## Hardware Diagram for B3810ALP/NG Cart Model

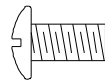


Phillips Head Screw  
1/4"x1/2"  
Qty. 10  
Part # S112G04081

Already installed in the Left/Right Panels of the Bowl Frame

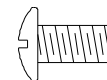


Flange Nut 1/4"  
Qty. 4  
PPart # S362G04061



Phillips Head Screw  
1/4"x1/2"  
Qty. 4  
Part # S112G04081

Already installed in the Rear Panel of the Bowl Frame

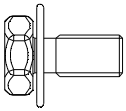


Phillips Head Screw 1/4"x1/2"  
Qty. 1  
Part # S112G04081

## Hardware Parts List for Models BAI10ALP/NG & BAI10BLP/NG

PART #	PART DESCRIPTION	QTY	PURPOSE OF PART
P06030014A	Hardware Pack	1	For use in assembly of BAI10ALP/NG & BAI10BLP/NG Models
S162G04081	Hex Head Screw 1/4"x1/2"	6	Install Bowl to Cart (for BAI10ALP/NG Models)
S112G04041	Phillips Head Screw 1/4"x1/4"	2	
S112G04041	Phillips Head Screws 1/4"x1/4"	2	Install Transformer Bracket to the Left Panel of the Bowl Frame (for BAI10BLP/NG Models)
S411G04011	Plain Washer 1/4"	2	
S182G03061	Pan Head Screw 3/16"x3/8"	2	Install the LP Regulator Brackets (for BAI10BLP Model)
S182G03061	Pan Head Screw 3/16"x3/8"	3	Install the Tank Tray Set (for BAI10ALP & BAI10BLP Model)
Already installed in the Bowl Panel, Outside Rear			
S182G03081	Pan Head Screw 3/16"x1/2"	6	Install Rear Trim Panel (for BAI10BLP/NG Models)
S112G04081	Phillips Head Screw 1/4"x1/2"	2	
Already installed in the Left and Right Cart Side Panel Trim Plates			
S112G03081	Phillips Head Screw 3/16"x1/2"	12	Install Left and Right Cart Side Panel Trim Plates (for BAI10ALP/NG Models)

## Hardware Diagram for Models BAI10ALP/NG & BAI10BLP/NG



Hex Head Screw  
1/4"x1/2"  
Qty. 6  
Part # S162G04081



Phillips Head Screw  
1/4"x1/4"  
Qty. 4  
Part # S112G04041



Pan Head Screw  
3/16"x3/8"  
Qty. 5  
Part # S182G03061



Plain Washer 1/4"  
Qty. 2  
Part # S411G04011

Already installed in the Bowl Panel,  
Outside Rear



Pan Head Screw 3/16"x1/2"  
Qty. 6  
Part # S182G03081



Phillips Head Screw 1/4"x1/2"  
Qty. 2  
Part # S112G04081

Already installed in the Left and  
Right Cart Side Panel Trim Plates



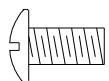
Phillips Head Screw 3/16"x1/2"  
Qty. 12  
Part # S112G03081

\*Two Batteries/AA included in the Hardware Pack

## Hardware Parts List for BAI10ALP/NG Cart Model

PART #	PART DESCRIPTION	QTY	PURPOSE OF PART
P06030015A	Hardware Pack	1	For use in assembly of BAI0ALP/NG Cart Model
S112G04081	Phillips Head Screw 1/4"x1/2"	8	Install Side Shelves
Already installed in the Bowl Panel, Outside Left/Right			
S182G03081	Pan Head Screw 3/16"x1/2"	2	Install Side Shelves

## Hardware Diagram for BAI10ALP/NG Cart Model



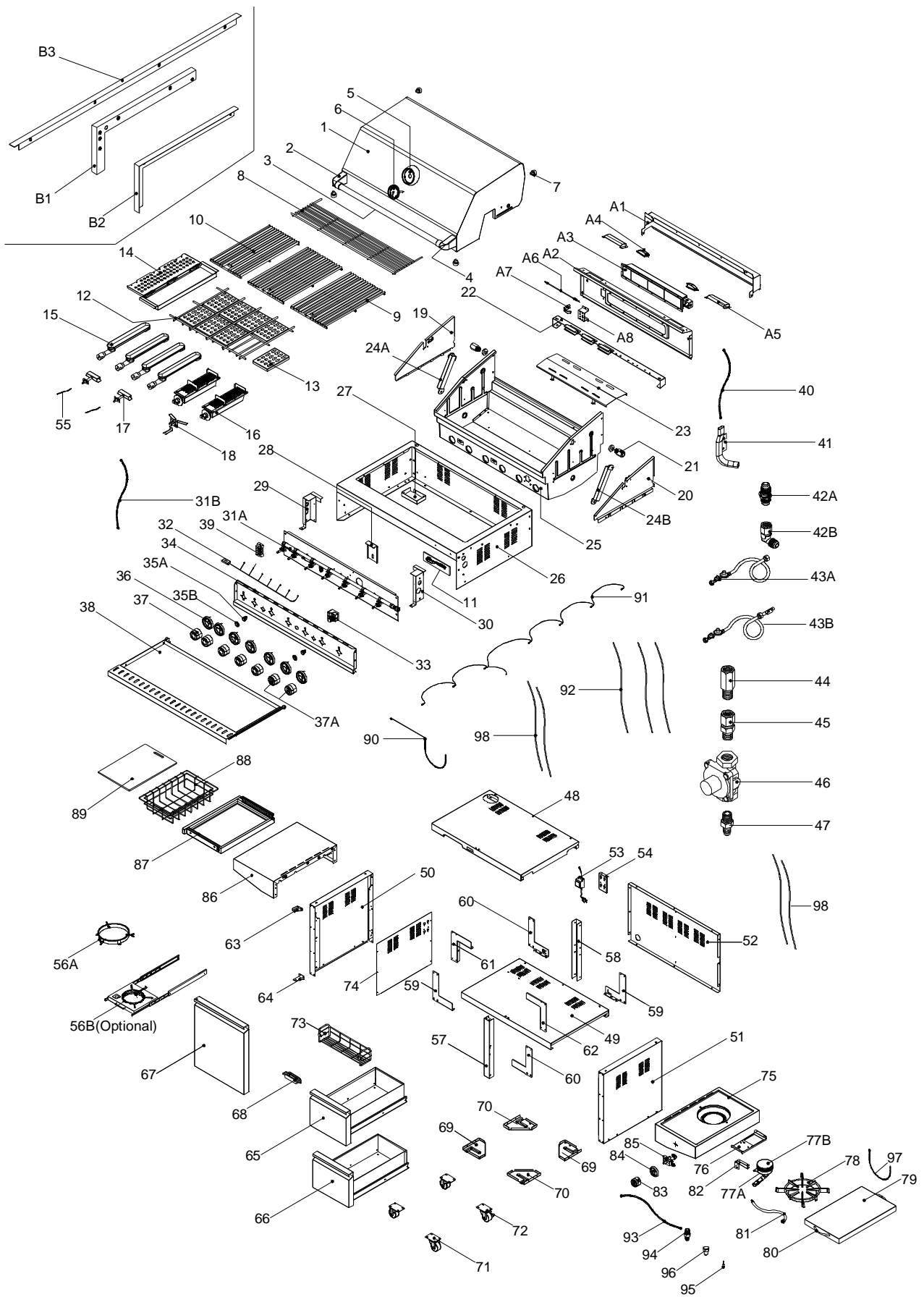
Phillips Head Screw  
1/4"x1/2"  
Qty. 8  
Part # S112G04081

Already installed in the Bowl Panel,  
Outside Left/Right



Pan Head Screw 3/16"x1/2"  
Qty. 2  
Part # S182G03081

# Parts Diagram for Models B3810ALP/NG & B3810BLP/NG



## Parts List for Model B3810ALP/NG & B3810BLP/NG

KEY	DESCRIPTION	B3810ALP/NG PART#	B3810BLP/NG PART#	QTY
1	Lid Assembly	Y0130016	Y0130016	1
2	Lid Handle Bracket	P00303016E	P00303016E	2
3	Lid Handle	P00205025B	P00205025B	1
4	Lid Handle Heat Insulating Spacer	P06801002A	P06801002A	2
5	Temperature Gauge Seat	P00614015A	P00614015A	1
6	Temperature Gauge	P00601251A	P00601251A	1
7	Protective Pad	P05518002I	P05518002I	4
8	Cooking Rack/Secondary	P01516010B	P01516010B	1
9	Cooking Grid/Large	P016040406	P016040406	2
10	Cooking Grid	P016040416	P016040416	1
11	Name Plate	P00407014C	P00407014C	1
12	Flame Tamer/Rack	P01720034B	P01720034B	1
13	Flame Tamer/Ceramic	P01804002A	P01804002A	8
14	Smoker Box	P06701020A	P06701020A	1
15	Burner/Main	P02003049B	P02003049B	4
16	Infrared Burner	P02005020A	P02005020A	2
17	Gas Collector Box with Electrode	P02610020A	P02610020A	2
18	Infrared Burner Dual Electrode	P02625002C	P02625002C	1
19	Bowl Side Panel/Trim Plate/Left	P07514039A	P07514039A	1
20	Bowl Side Panel/Trim Plate/Right	P07514040A	P07514040A	1
21	Lid Hinge with Nut	P05511006A	P05511006A	2
22	Burner Bracket	P02206294A	P02206294A	1
23	Grease Draining Tray Heat Shield	P06904047C	P06904047C	1
24A	Lid Spring, Left	P05551001M	P05551001M	1
24B	Lid Spring, Right	P05551002M	P05551002M	1
25	Grill Bowl	P00713586C	P00713586C	1
26	Bowl Frame	P00739476C	P00739476C	1
27	Extension Fitting Bracket	P03328058C	P03328058C	1
28	Extension Fitting Bracket Support	P03328059C	P03328059C	1
29	Heat Shield Bracket, Left	P03328073C	P03328073C	1
30	Heat Shield Bracket, Right	P03328074C	P03328074C	1
31A	Gas Valve/Manifold Assembly, LPG	Y0060624	Y0060624	1
	Gas Valve/Manifold Assembly, NG	Y0060625	Y0060625	1
31B	Flexline SS	P03715001A	P03715001A	1
32	LED Transformer with Wire Assembly	P05383008B	P05383008B	1
33	Electric Ignitor, 6-Port	P02502305C	P02502305C	1
34	Control Panel	P02914261A	P02914261A	1
35A	Switch for LED Light	P05360001B	P05360001B	2
35B	Switch Cover for Light	P05382004P	P05382004P	2
36	Control Knob Seat with LED Light	P03415304A	P03415304A	7
37	Control Knob for Main Burner/Rotisserie Burner	P03426205U	P03426205U	5
37A	Control Knob for Infrared Burner/Side Burner	P03426125U	P03426125U	2
38	Grease Tray Assembly	Y0270006	Y0270006	1
39	Terminal Collector	P05336007E	P05336007E	1
40	Rotisserie Burner Extension Tube	P03701011A	P03701011A	1
41	Lighting Tube	P05507001A	P05507001A	1
42A	Extension Fitting for Manifold	P03907012A	P03907012A	1
42B	Extension Fitting for Manifold, LPG	P03902016A	P03902016A	1
43A	Regulator with Hose, LPG	P03620025A	N/A	1
43B	Regulator with Hose and Connector (LPG)	N/A	P03620026A	1
44	Extension Fitting for Manifold, NG	P03901015A	P03901015A	1
45	Extension Fitting - Outlet, NG	P03901013A	P03901013A	1
46	Regulator/NG	P03628001B	P03628001B	1

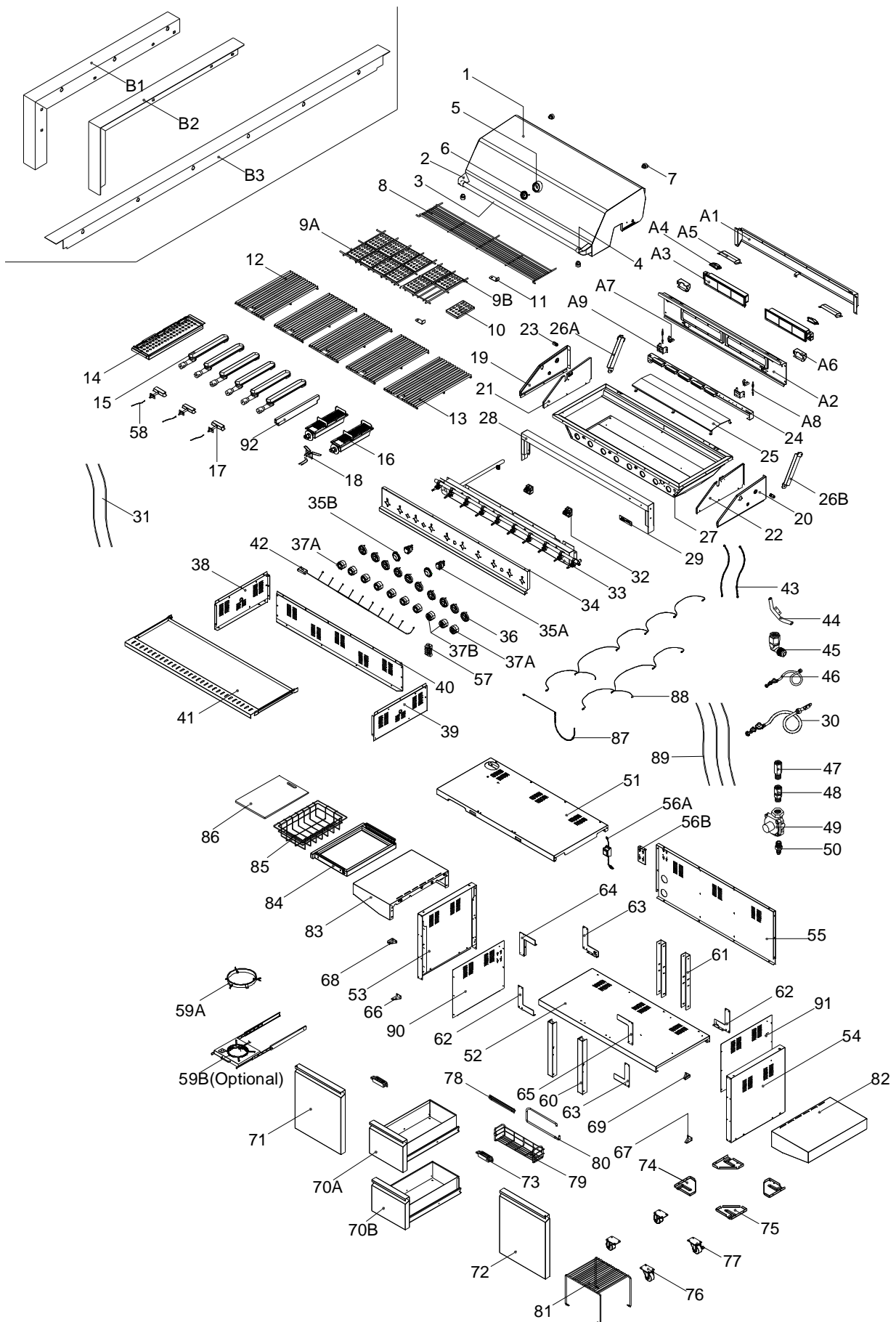
## Parts List for Models B3810ALP/NG & B3810BLP/NG

KEY	DESCRIPTION	B3810ALP/NG PART#	B3810BLP/NG PART#	QTY
47	Extension Fitting - Inlet, NG	P03901017A	P03901017A	1
48	Cart Top Shelf	P01010040C	N/A	1
49	Cart Bottom Shelf	P01010041C	N/A	1
50	Cart Side Panel, Left	P07602027A	N/A	1
51	Cart Side Panel, Right	P07603030A	N/A	1
52	Cart Rear Panel	P07701079A	N/A	1
53	Transformer	P05374001B	P05374001B	1
54	Transformer Bracket	N/A	P03328057A	1
55	Electric Wires Set/Electrode	P02615046D	P02615046D	1
56A	Tank Tray Set (LPG)	Y0340050	Y0340050	1
56B	Tank Tray Assembly (Optional)	Y0340022	N/A	1
57	Drawer Bracket, Front	P03304050C	N/A	1
58	Drawer Bracket, Rear	P03304051C	N/A	1
59	Cart Bracket Panel, Left Bottom	P03331011F	N/A	2
60	Cart Bracket Panel, Right Bottom	P03331012F	N/A	2
61	Cart Bracket Panel, Left Top	P03331013F	N/A	1
62	Cart Bracket Panel, Right Top	P03331014F	N/A	1
63	Door Hinge Bracket, Left Top	P03314050C	N/A	1
64	Door Hinge Bracket, Left Bottom	P03314037C	N/A	1
65	Drawer Assembly, Upper	Y0420012	N/A	1
66	Drawer Assembly, Lower	Y0420013	N/A	1
67	Door	P04302049A	N/A	1
68	Door Magnet	P05323007M	N/A	1
69	Caster Seat, Left Front/Right Rear	P05327062H	N/A	2
70	Caster Seat, Right Front/Left Rear	P05327063H	N/A	2
71	Caster, 2.5 in., without Brake	P05117007E	N/A	2
72	Caster, 2.5 in., with Brake/Rear	P05110001E	N/A	2
73	Spice Basket	P05203001A	N/A	1
74	Cart Side Panel, Left/Trim Plate	P07509010A	N/A	1
75	Side Burner Body	P01108014B	N/A	1
76	Side Burner Bracket Assembly	P02215105A	N/A	1
77A	Side Burner	P02004040B	N/A	1
77B	Side Burner Cap	P02013059E	N/A	1
78	Pot Support	P00815008A	N/A	1
79	Side Burner Lid	P0011550AA	N/A	1
80	Side Burner Lid Handle	P00210006A	N/A	2
81	Side Burner Connection Hose	P03710003F	N/A	1
82	Side Burner Orifice Bracket	P03317002A	N/A	1
83	Control Knob for Infrared Burner/Side Burner	P03426125U	N/A	1
84	Control Knob Seat	P03415034A	N/A	1
85	Side Burner Gas Valve	P03218129G	N/A	1
86	Side Shelf, Left	P01106046B	N/A	1
87	Side Shelf Spice Basket Bracket Assembly	P05204071G	N/A	1
88	Side Shelf Spice Basket	P05204072G	N/A	1
89	Cutting Board	P02401004A	N/A	1
90	Lighting Stick Assembly	P05313009B	P05313009B	1
91	Electric Wires Set	P02615132A	P02615132A	1
92	Light Wires Set	P02615174A	P02615174A	1
93	Side Burner Orifice Connection Hose	P03701028F	N/A	1
94	Extension Fitting for Side Burner	P03901038A	N/A	1
95	Side Burner Electrode	P02607058M	N/A	1
96	Side Burner Orifice, LPG	P06533018A	N/A	1
	Side Burner Orifice, NG	P06533019A	N/A	1

## Parts List for Models B3810ALP/NG & B3810BLP/NG

KEY	DESCRIPTION	B3810ALP/NG PART#	B3810BLP/NG PART#	QTY
97	Side Burner Lid Chain	P05522001A	N/A	1
98	Connection Wire Set for Terminal Collector	P05352009B	P05352009B	1
A1	Rotisserie Burner Wind Shield	P00760026C	P00760026C	1
A2	Rotisserie Burner Frame	P06906086C	P06906086C	1
A3	Rotisserie Burner Assembly (LPG)	Y0030030	Y0030030	1
	Rotisserie Burner Assembly (NG)	Y0030031	Y0030031	1
A4	Light, 12V, 10W	P05352003B	P05352003B	2
A5	Light Cover	P05352004E	P05352004E	2
A6	Rotisserie Burner Thermocouple	<b>P05305068A</b>	<b>P05305068A</b>	1
A7	Rotisserie Burner Electrode	P02614015C	P02614015C	1
A8	Rotisserie Burner Thermocouple Bracket	P03328050C	P03328050C	1
B1	Trim Panel, Left	N/A	P07505002A	1
B2	Trim Panel, Right	N/A	P07504002A	1
B3	Trim Panel, Rear	N/A	P07515009A	1
	Rotisserie Assembly	Y0250181	Y0250181	1
	Hardware Pack (Grill Head)	P06030012A	P06030012A	1
	Hardware Pack (Cart Model)	P06030013A	N/A	1
	Operator's Manual	<b>P80151104B</b>	<b>P80151104B</b>	1

# Parts Diagram for Models BAI10ALP/NG & BAI10BLP/NG



## Parts List for Models BAI10ALP/NG & BAI10BLP/NG

KEY	DESCRIPTION	BAI10ALP/NG PART#	BAI10BLP/NG PART#	QTY
1	Lid Assembly	Y0130015	Y0130015	1
2	Lid Handle Bracket	P00303016E	P00303016E	2
3	Lid Handle	P00205064B	P00205064B	1
4	Lid Handle Heat Insulating Spacer	P06801002A	P06801002A	2
5	Temperature Gauge Seat	P00614015A	P00614015A	1
6	Temperature Gauge	P00601251A	P00601251A	1
7	Protective Pad	P05518002I	P05518002I	4
8	Cooking Rack/Secondary	P01518005B	P01518005B	1
9A	Flame Tamer/Rack	P01720034B	P01720034B	1
9B	Flame Tamer/Rack (Small)	P01720035B	P01720035B	1
10	Flame Tamer/Ceramic	P01804002A	P01804002A	12
11	Flame Tamer/Rack Stop	P03328015C	P03328015C	2
12	Cooking Grid	P016040416	P016040416	4
13	Cooking Grid/Small	P016040426	P016040426	1
14	Smoker Box	P06701020A	P06701020A	1
15	Burner/Main	P02003049B	P02003049B	6
16	Infrared Burner	P02005020A	P02005020A	2
17	Gas Collector Box with Electrode	P02610020A	P02610020A	3
18	Infrared Burner Dual Electrode	P02625002C	P02625002C	1
19	Bowl Side Panel/Left	P0072082EC	P0072082EC	1
20	Bowl Side Panel/Right	P0072183EC	P0072183EC	1
21	Bowl Side Panel/Trim Plate/Left	P07514037A	P07514037A	1
22	Bowl Side Panel/Trim Plate/Right	P07514038A	P07514038A	1
23	Lid Hinge with Nut	P05511006A	P05511006A	2
24	Burner Bracket	P02216024A	P02216024A	1
25	Grease Tray Heat Shield	P06904008C	P06904008C	1
26A	Lid Spring, Left	P05551001M	P05551001M	1
26B	Lid Spring, Right	P05551002M	P05551002M	1
27	Bowl	P00713576C	P00713576C	1
28	Control Panel Frame Bracket	P03306037C	P03306037C	1
29	Name Plate	P00407014C	P00407014C	1
30	Regulator with Hose and Connector (LPG)	N/A	P03620026A	1
31	Connection Wire Set	P05352010B	P05352010B	1
32	Electric Ignitor, 4-Port	P02502184C	P02502184C	2
33	Gas Valve/Manifold Assembly (LPG)	Y0060725	Y0060725	1
	Gas Valve/Manifold Assembly (NG)	Y0060726	Y0060726	1
34	Control Panel	P02911963A	P02911963A	1
35A	Switch for LED Light	P05360001B	P05360001B	2
35B	Switch Cover for Light	P05382004P	P05382004P	2
36	Control Knob Seat	P03415304A	P03415304A	10
37A	Control Knob for Main Burner/Rotisserie Burner	P03426205U	P03426205U	8
37B	Control Knob for Infrared Burner/Side Burner	P03426125U	P03426125U	2
38	Bowl Panel, Outside Left	P00720886C	P00720886C	1
39	Bowl Panel, Outside Right	P00721896C	P00721896C	1
40	Bowl Panel, Outside Rear	P00725386C	P00725386C	1
41	Grease Tray Assembly	Y0270022	Y0270022	1
42	LED Transformer with Wire Assembly	P05383007B	P05383007B	1
43	Rotisserie Burner Extension Tube	P03701011A	P03701011A	2
44	Lighting Tube	P05507003A	P05507003A	1
45	Extension Fitting for Manifold, LPG	P03902016A	P03902016A	1
46	Regulator with Hose, LPG	P03620025A	N/A	1
47	Extension Fitting for Manifold, NG	P03901015A	P03901015A	1

## Parts List for Models BAI10ALP/NG & BAI10BLP/NG

KEY	DESCRIPTION	BAI10ALP/NG PART#	BAI10BLP/NG PART#	QTY
48	Extension Fitting - Outlet, NG	P03901013A	P03901013A	1
49	Regulator/NG	P03628001B	P03628001B	1
50	Extension Fitting - Inlet, NG	P03901017A	P03901017A	1
51	Cart Top Shelf	P01010039C	N/A	1
52	Cart Bottom Shelf	P01010038C	N/A	1
53	Cart Side Panel, Left	P07602027A	N/A	1
54	Cart Side Panel, Right	P07603030A	N/A	1
55	Cart Rear Panel	P07701078A	N/A	1
56A	Transformer	P05374001B	P05374001B	1
56B	Transformer Bracket	N/A	P03328057A	1
57	Terminal Collector	P05336007E	P05336007E	1
58	Electric Wires Set/Electrode	P02615109D	P02615109D	1
59A	Tank Tray Set (LPG)	Y0340050	Y0340050	1
59B	Tank Tray Assembly (Optional)	Y0340022	N/A	1
60	Drawer Bracket, Front	P03304050C	N/A	2
61	Drawer Bracket, Rear	P03304051C	N/A	2
62	Cart Bracket Panel, Left Bottom	P03331011F	N/A	2
63	Cart Bracket Panel, Right Bottom	P03331012F	N/A	2
64	Cart Bracket Panel, Left Top	P03331013F	N/A	1
65	Cart Bracket Panel, Right Top	P03331014F	N/A	1
66	Door Hinge Bracket, Left Bottom	P03314037C	N/A	1
67	Door Hinge Bracket, Right Bottom	P03314038C	N/A	1
68	Door Hinge Bracket, Left Top	P03314050C	N/A	1
69	Door Hinge Bracket, Right Top	P03314051C	N/A	1
70A	Drawer Assembly, Upper	Y0420014	N/A	1
70B	Drawer Assembly, Lower	Y0420011	N/A	1
71	Door, Left	P04302046A	N/A	1
72	Door, Right	P04303047A	N/A	1
73	Door Magnet	P05323007M	N/A	2
74	Caster Seat, Left Front/Right Rear	P05327062H	N/A	2
75	Caster Seat, Right Front/Left Rear	P05327063H	N/A	2
76	Caster, 2.5 in., without Brake	P05117007E	N/A	2
77	Caster, 2.5 in., with Brake/Rear	P05110001E	N/A	2
78	Towel Rack Bracket	P05212008A	N/A	1
79	Spice Basket	P05203001A	N/A	1
80	Towel Rack	P05209003A	N/A	1
81	Cart Shelf	P05204070F	N/A	1
82	Side Shelf, Right	P01107043B	N/A	1
83	Side Shelf, Left	P01106046B	N/A	1
84	Side Shelf Spice Basket Assembly	P05204071G	N/A	1
85	Side Shelf Spice Basket	P05204072G	N/A	1
86	Cutting Board	P02401004A	N/A	1
87	Lighting Stick Assembly	P05313009B	P05313009B	1
88	Electric Wire Set	P02615134A	P02615134A	1
89	Light Wire Set	P02615173A	P02615173A	1
90	Cart Side Panel, Left/Trim Plate	P07509010A	N/A	1
91	Cart Side Panel, Right/Trim Plate	P07509011A	N/A	1
92	Bowl Reinforcing Plate	P03304022C	P03304022C	1
A1	Rear Wind Shelf	P00760016C	P00760016C	1
A2	Rotisserie Burner Frame	P02011067B	P02011067B	1
A3	Rotisserie Burner Assembly (LPG)	Y0030028	Y0030028	2
	Rotisserie Burner Assembly (NG)	Y0030029	Y0030029	2
A4	Light, 12V, 10W	P05352003B	P05352003B	2

## Parts List for Models BAI10ALP/NG & BAI10BLP/NG

KEY	DESCRIPTION	BAI10ALP/NG PART#	BAI10BLP/NG PART#	QTY
A5	Light Cover	P05352004E	P05352004E	2
A6	Thermocouple Water Shield	P03327062C	P03327062C	2
A7	Rotisserie Burner Electrode	P02614015C	P02614015C	2
A8	Rotisserie Burner Thermocouple	P05305030A	P05305030A	2
A9	Rotisserie Burner Thermocouple Protector	P03328050C	P03328050C	2
B1	Trim Panel, Left	N/A	P07505007A	1
B2	Trim Panel, Right	N/A	P07504007A	1
B3	Trim Panel, Rear	N/A	P07515015A	1
	Rotisserie Assembly	Y0250182	Y0250182	1
	Hardware Pack (Grill Head)	P06030014A	P06030014A	1
	Hardware Pack (Cart Model)	P06030015A	N/A	1
	Operator's Manual	<b>P80151104B</b>	<b>P80151104B</b>	1

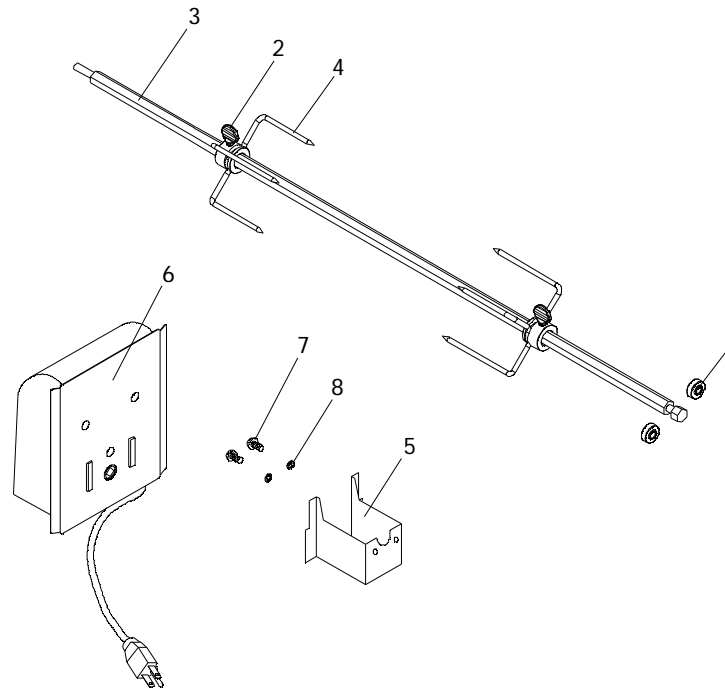
For the repair or replacement parts you need:  
Call 1-877-934-7455 M-F 8AM-4:30 PM CST

To obtain the correct replacement parts for your gas grill, please refer to the part numbers in this parts list. The following information is required to ensure you receive the correct parts:

1. Model and Serial Number (see CSA label on grill)
2. Part Number
3. Part Description
4. Quantity of parts needed

**Important:** Use only Grand Hall replacement parts. The use of any part that is not a Grand Hall replacement part can be dangerous and will also void your product warranty. Keep this Operator's Manual for convenient referral and for part replacement.

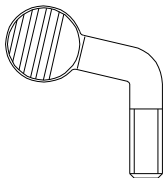
## Rotisserie Assembly Parts Diagram for B3810ALP/NG & B3810BLP/NG



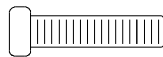
### Rotisserie Assembly Parts List

KEY	DESCRIPTION	PART#	QTY
1.	Rot. Roller	P05508181A	2
2.	Rot. Thumbscrew 1/4"x1/2"	S195G04081	2
3.	Rot. Spit	P05508182A	1
4.	Rot. Holding Fork	P05508077A	2
5.	Rot. Motor Bracket	P03308002A	1
6.	Rot. Motor/AC	P07101031B	1
7.	Rot. Screw 3/16"x1/2"UNC	S112G03084	2
8.	Rot. Washer 3/16"	S411G03064	2

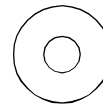
### Hardware for Rotisserie



Rot. Thumbscrew  
1/4"x1/2"  
Qty. 2  
Part # S195G04081



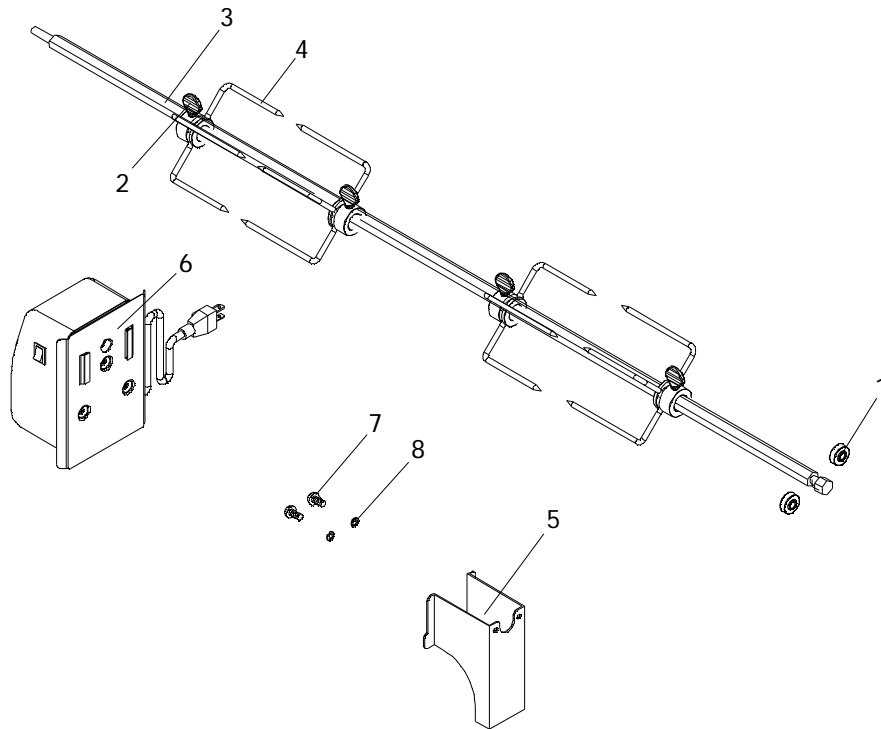
Rot. Screw 3/16"x1/2"  
UNC  
Qty. 2  
Part # S112G03084



Rot. Washer 3/16"  
Qty. 2  
Part # S411G03064

**Grill Information Center:** If you have questions about assembly or grill operation, or if there are damaged or missing parts when you unpack this unit from the shipping box, Call **1-877-934-7455** M-F 8AM-4:30 PM CST

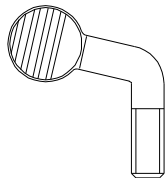
## Rotisserie Assembly Parts Diagram for BA110ALP/NG & BA110BLP/NG



### Rotisserie Assembly Parts List

KEY	DESCRIPTION	PART#	QTY
1.	Rot. Roller	P05508181A	2
2.	Rot. Thumbscrew 1/4"x1/2"	S195G04081	4
3.	Rot. Spit	P05508183A	1
4.	Rot. Holding Fork	P05508046A	4
5.	Rot. Motor Bracket	P03308006C	1
6.	Rot. Motor/AC	P07101027B	1
7.	Rot. Screw 3/16"x1/2"UNC	S112G03084	2
8.	Rot. Washer 3/16"	S411G03064	2

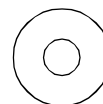
### Hardware for Rotisserie



Rot. Thumbscrew  
1/4"x1/2"  
Qty. 4  
Part # S195G04081



Rot. Screw 3/16"x1/2"  
UNC  
Qty. 2  
Part # S112G03084



Rot. Washer 3/16"  
Qty. 2  
Part # S411G03064

**Grill Information Center:** If you have questions about assembly or grill operation, or if there are damaged or missing parts when you unpack this unit from the shipping box, Call **1-877-934-7455** M-F 8AM-4:30 PM CST

# Assembly Instructions for B3810ALP/NG & BAI10ALP/NG

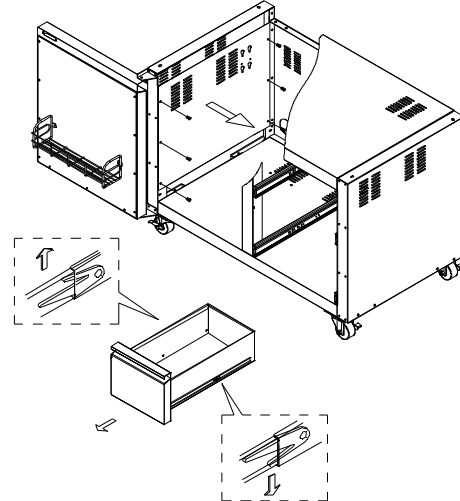
**CAUTION :** While it is possible for one person to assemble this grill, obtain assistance from 2 people when handling some of the larger, heavier pieces.

## 1-1 Remove Left Cart Side Panel Trim Plate and Drawers (for B3810ALP/NG)

- Open the Left Door and remove the 6 Phillips Head Screws 3/16"x1/2" from the Left Cart Side Panel Trim Plate. Remove the Left Cart Side Panel Trim Plate.
- Push up black tenon on the left slide and push down black tenon on the right slide to remove the Upper Drawer.
- Repeat for the Lower Drawer.

Already installed in the Left Cart Side Panel Trim Plate

Phillips Head Screw 3/16"x1/2"  
Qty. 6  
Part # S112G03081

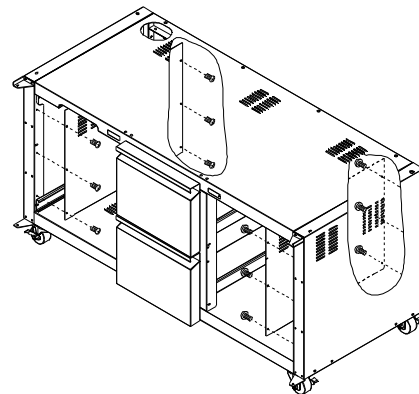


## 1-2 Remove Left and Right Cart Side Panel Trim Plates (for BAI10ALP/NG)

- Open the Left Door and remove the 6 Phillips Head Screws 3/16"x1/2" from the Left Cart Side Panel Trim Plate. Remove the Left Cart Side Panel Trim Plate.
- Repeat for the Right Cart Side Panel Trim Plate.

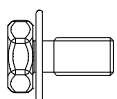
Already installed in the Left and Right Cart Side Panel Trim Plates

Phillips Head Screw 3/16"x1/2"  
Qty. 12  
Part # S112G03081

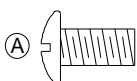


## 2-1 Install the Grill Head onto the Cart (for B3810ALP/NG Models)

- With the help of your assistants, lift the Grill Head onto the top of the Cart so that the bottom of the Grill Head sits on the Cart Top Shelf. Make sure the LP Regulator goes through the hole on the Cart Top Shelf.
- Remove the Grease Tray from the bottom of the Grill Head.
- Insert 5 Hex Head Screws 1/4"x1/2" into the 5 holes on the Cart Top Shelf and tighten securely.
- Insert 2 Phillips Head Screws 1/4"x1/2" into the 2 holes on the Left and Right Panel of the Bowl Frame. Secure the screws by installing 2 Flange Nuts 1/4" (See diagram).
- Replace Left Side Trim Panel Trim Plate, Drawers, and Grease Tray.



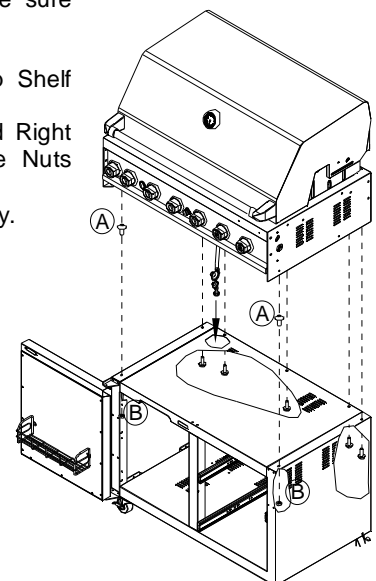
Hex Head Screw  
1/4"x1/2"  
Qty. 5  
Part # S162G04081



Phillips Head Screw  
1/4"x1/2"  
Qty. 2  
Part # S112G04081

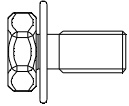


Flange Nut 1/4"  
Qty. 2  
Part # S362G04061

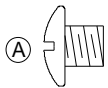


## 2-2 Install the Grill Head onto the Cart (for BAI10ALP/NG Models)

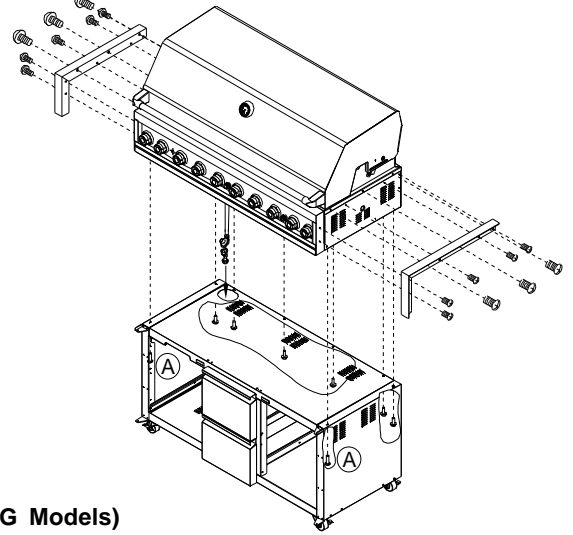
- With the help of your assistants, lift the Grill Head onto the top of the Cart so that the bottom of the bowl sits on the Cart Top Shelf. Make sure the LP Regulator goes through the hole on the Cart Top Shelf.
- Remove the Grease Tray from the bottom of the Grill Head.
- Insert 6 Hex Head Screws 1/4"x1/2" into the 6 holes on the underside of the Cart Top Shelf and tighten securely (See Diagram).
- Insert 2 Phillips Head Screws 1/4"x1/4" into the 2 holes on the underside of the Cart Top Shelf and tighten securely (See "A" on Diagram).
- Replace Left and Right Side Panel Trim Plates and Grease Tray.
- Remove 3 Pan Head Screws 3/16"x1/2" and 5 Pan Head Screws 1/4"x1/2" to remove the Left Trim Panel.
- Repeat for removing the Right Trim Panel.



Hex Head Screw  
1/4"x1/2"  
Qty. 6  
Part # S162G04081

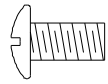


Phillips Head Screw  
1/4"x1/4"  
Qty. 2  
Part # S112G04041



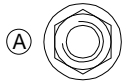
## 3-1 Install Left Side Shelf and Side Burner (for B3810ALP/NG Models)

- Remove 4 pre-assembled Phillips Head Screws 1/4"x1/2" (see "B") and 4 Flange Nuts 1/4" (see "A") from the Left and Right Panels of the Bowl Frame. Reserve the hardware for later step.
- Install Left Side Shelf onto the Left Panel of the Bowl Frame using 5 Phillips Head Screws 1/4"x1/2", the reserved 2 Phillips Head Screws 1/4"x1/2" (see "B"), and 2 Flange Nuts 1/4" (see "A"). Tighten the hardware securely.
- Repeat hardware installation for Right Side Burner.

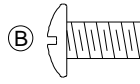


Phillips Head Screw  
1/4"x1/2"  
Qty. 10  
Part # S112G04081

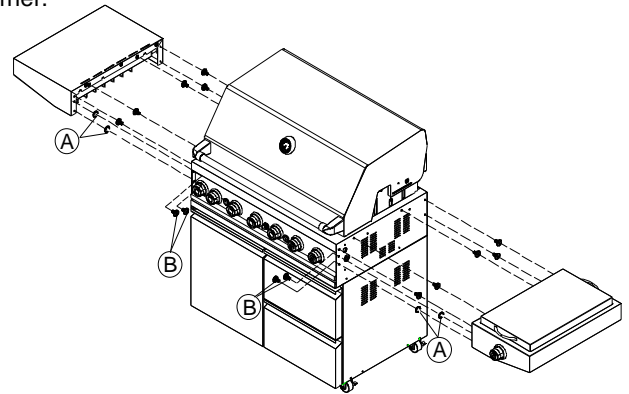
Already installed in the Left/Right Panels of the Bowl Frame



Flange Nut 1/4"  
Qty. 4  
PPart # S362G04061

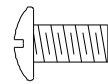


Phillips Head Screw  
1/4"x1/2"  
Qty. 4  
Part # S112G04081



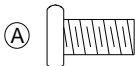
## 3-2 Install Side Shelves (For BAI10ALP/NG Models)

- Remove a pre-assembled Pan Head Screw 3/16"x1/2" from the Bowl Panel, Outside Left before installing the Left Side Shelf (see "A" in diagram). Reserve this screw for later step.
- Install the Left Side Shelf onto the Bowl Panel, Outside Left using 4 Phillips Head Screws 1/4"x1/2" and the reserved Pan Head Screw 3/16"x1/2" from the previous step. Tighten the screws securely.
- Repeat for the Right Side Shelf.

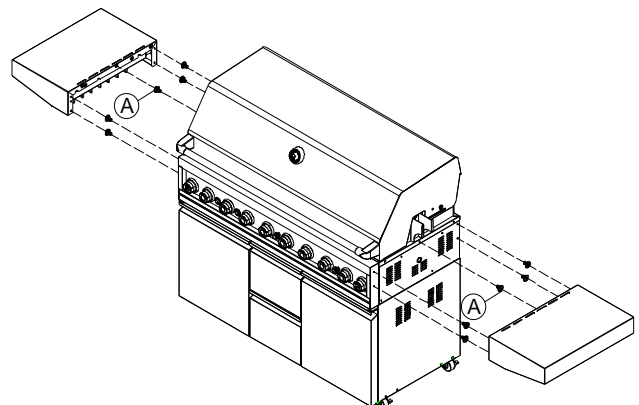


Phillips Head Screw  
1/4"x1/2"  
Qty. 8  
Part # S112G04081

Already installed in the Bowl Panel, Outside Left/Right



Pan Head Screw 3/16"x1/2"  
Qty. 2  
Part # S182G03081

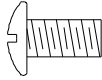


## 4

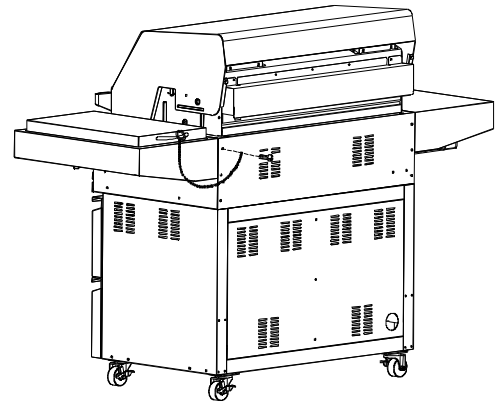
### Install the Side Burner Lid Chain (for B3810ALP/NG Models)

- Remove the pre-assembled Phillips Head Screw 1/4"x1/2" from the Rear Panel of the Bowl Frame as shown. Reserve this screw for later step.
- Install the Side Burner Lid Chain onto the Rear Bowl Panel using the reserved Phillips Head Screw 1/4"x1/2" from the previous step.

Already installed in the Rear Panel of the Bowl Frame



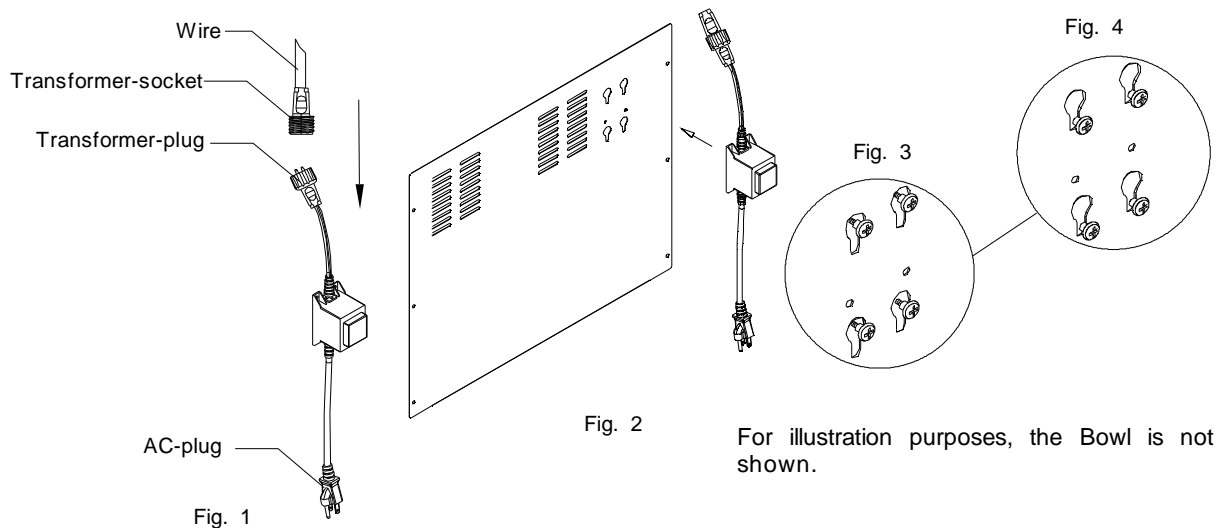
Phillips Head Screw 1/4"x1/2"  
Qty. 1  
Part # S112G04081



## 5

### Install the Transformer. Connect Transformer to Power Source and turn on Grill Lights.

- Install Transformer-Plug into Transformer-Socket and tighten securely.
- Install the Transformer onto the Left Cart Side Panel/Trim Plate by putting the four pre-assembled screws on the Transformer into the four holes on the Left Cart Side Panel/Trim Plate. Press the Transformer downward until it rests in place. (See Fig. 3 & Fig. 4).
- Pull out the Transformer Cord from the hole on the Cart Rear Panel. Plug the Transformer into the power source. Push the Left Light Switch on the Control Panel to turn on the Grill Lights. Push the Right Light Switch on the Control Panel to turn on the Control Panel LED Lights.



## 6

### Install Tank Tray Set (for B3810ALP & BA110ALP Models)

- Install the Tank Tray Set onto the Cart Bottom Panel using 3 Phillips Head Screws 3/16"x3/8" as shown in Fig. 3.
- Place the LP Gas Tank into the Tank Tray Set so that the tank valve faces the right corner.
- Install LP Regulator onto the Gas Tank.



Pan Head Screw  
3/16"x3/8"  
Qty. 3  
Part# S182G03061

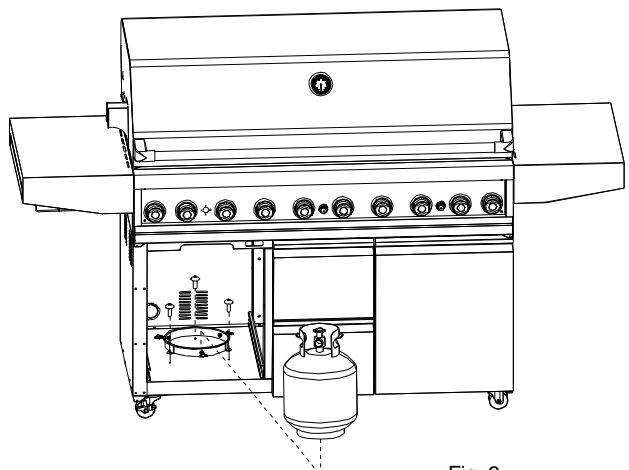


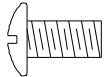
Fig. 3

# Assembly Instructions for B3810BLP/NG & BA10BLP/NG

**CAUTION:** While it is possible for one person to assemble this grill, obtain assistance from 2 people when handling some of the larger, heavier pieces.

## 1-1 Install Bowl Side Trim Panels (for B3810BLP/NG Models)

- Remove 4 pre-assembled Phillips Head Screws 1/4"x1/2" (see "B" in diagram) and 4 Flange Nuts 1/4" (see "A" in diagram) from the Left and Right Panels of the Bowl Frame. Reserve the hardware for later step.
- Install the Rear Trim Panel to the Rear Panel of the Bowl Frame using 3 Phillips Head Screws 1/4"x1/2" and tighten securely.
- Install the Left Trim Panel onto the Left Panel of the Bowl Frame using 4 Phillips Head Screws 1/4"x1/2", the reserved Phillips Head Screws 1/4"x1/2" (see "B"), and the reserved 2 Flange Nuts 1/4" (see "A"). Tighten securely as shown.
- Repeat for the Right Trim Panel.

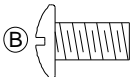


Phillips Head Screw 1/4"x1/2"  
Qty. 11  
Part # S112G04081

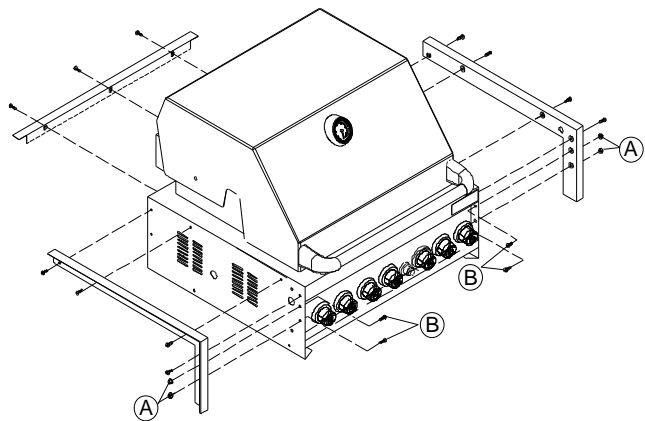
Already installed in the Left/Right Panels of the Bowl Frame



Flange Nut 1/4"  
Qty. 4  
Part # S362G04061



Phillips Head Screw 1/4"x1/2"  
Qty. 4  
Part # S112G04081



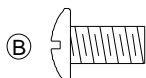
## 1-2 Install Rear Trim Panel (for BA10BLP/NG Models)

- Remove the preassembled 6 Pan Head Screws 3/16"x1/2" (see "A" in diagram) and 2 Phillips Head Screws 1/4"x1/2" (see "B" in diagram) on the Bowl Panel, Outside Rear.
- Install the 6 Pan Head Screws 3/16"x1/2" half way. Place the Rear Trim Panel onto the 6 half-installed Screws. Press the Rear Trim Panel downwards until it rests in place (see Fig. 1 & Fig. 2). Next, insert the 2 Phillips Head Screws 1/4"x1/2" (see "B") and tighten all Screws securely.

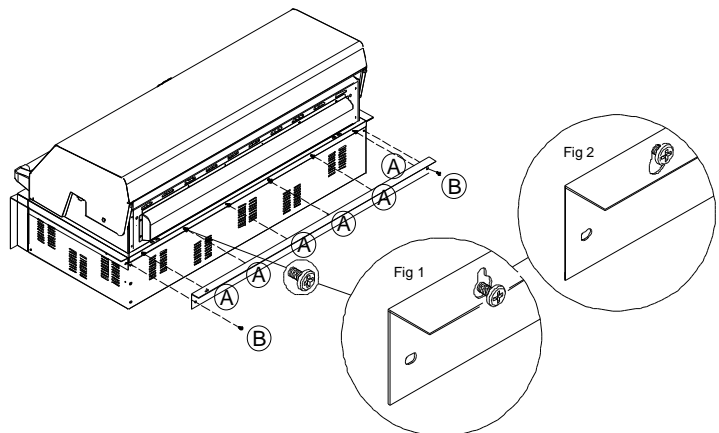
Already installed in the Bowl Panel, Outside Rear



Pan Head Screw 3/16"x1/2"  
Qty. 6  
Part # S182G03081

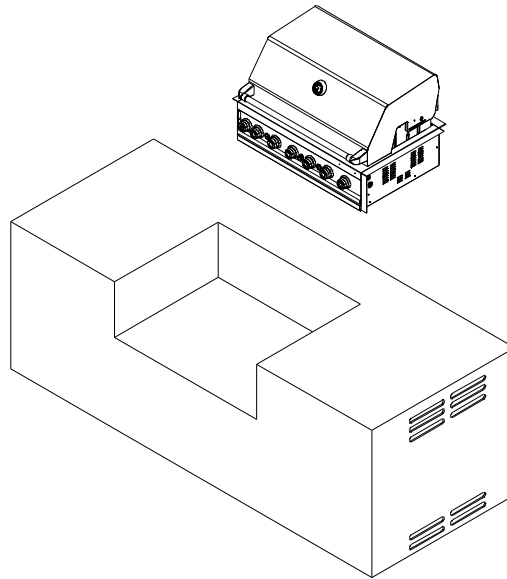


Phillips Head Screw 1/4"x1/2"  
Qty. 2  
Part # S112G04081



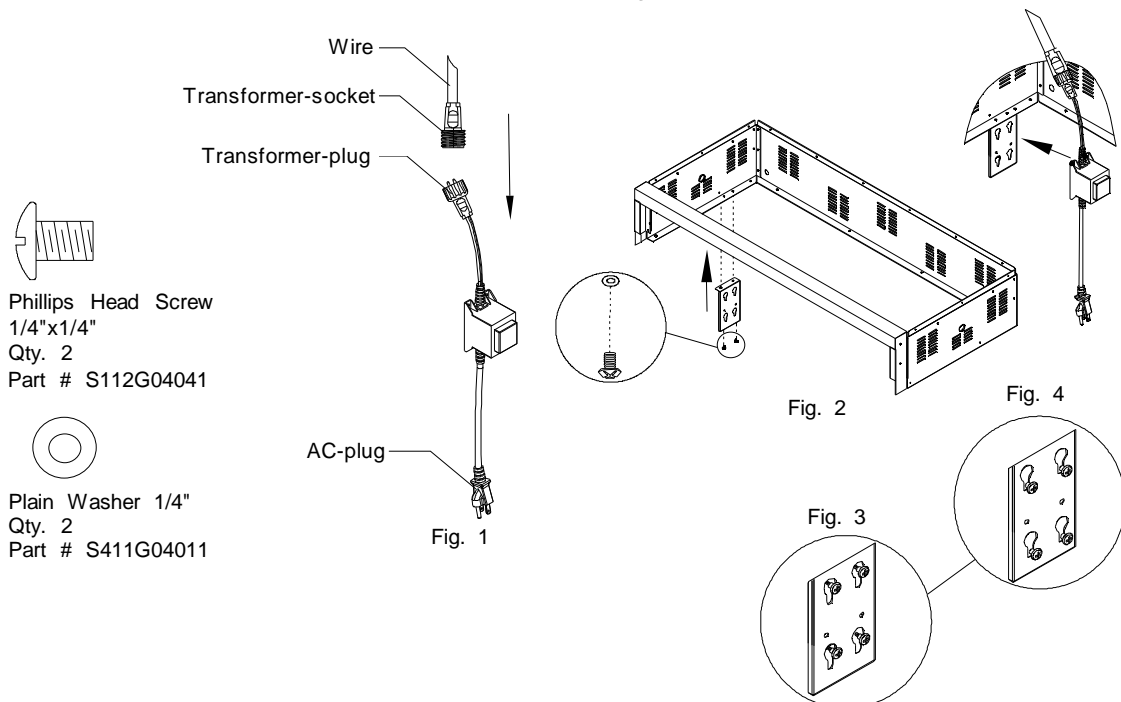
## 2 Install Grill Head

- With the help of your assistants, place the Grill Head into the cutout of your grill island (See Diagram).  
NOTE: The grill head is designed to fit into an island of your own design. The island shown in the diagram is for illustration purposes only. The diagram is not drawn to scale. An island is not included with the purchase of this grill head. Be sure your island meets the construction guidelines and clearances as indicated in pages 25 and 26.



## 3 Install the Transformer. Connect the Transformer to Power Source and Turn on the Grill Lights.

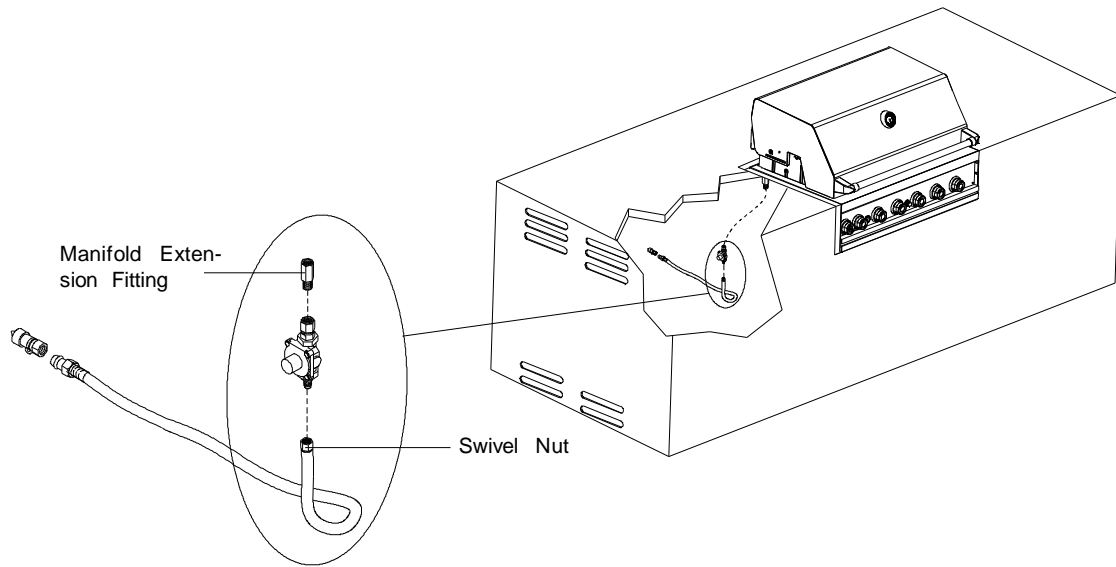
- Install the Transformer Bracket onto the Left Panel of the Bowl Frame using 2 Phillips Head Screws 1/4"x1/4" and 2 Plain Washers 1/4" and tighten securely (see diagram).
- Install the Transformer-Plug into the Transformer-Socket and tighten securely.
- Install Transformer onto the Transformer Bracket by putting the four pre-assembled screws on the Transformer into the four holes on the Transformer Bracket. Press the Transformer downward until it rests in place (see Fig. 3 & Fig. 4).
- Depending on your island construction, you may need to make one hole on your Rear Island Panel (not included). Make sure the cord doesn't touch the ground. Plug the Transformer into the power source. Push the Left Light Switch on the Control Panel to turn on the Grill Lights. Push the Right Light Switch on the Control Panel to turn on the Grill LED Lights.



## 4

### Install NG Regulator and 12 Foot Hose (for B3810BNG & BAI10BNG models)

- Install the NG Regulator to the Manifold Extension Fitting and tighten securely.
- Connect the Swivel Nut of the 12 foot Hose to the NG Regulator.



## 5

### Install Tank Tray Set (for B3810BLP & BAI10BLP Models)

- Install the Bracket with Regulator to the Island Side Panel using 2 Phillips Head Screws 3/16"x3/8".
- Install the Stainless Steel Tube (not included in this unit) to the manifold. Next, insert the other end of the Stainless Steel Tube through the hole on the Island's Side Panel. Install the Stainless Steel Tube to the male fitting on the Bracket.
- Install the Tank Tray Set onto the Island Bottom Panel using 3 Phillips Head Screws 3/16"x3/8" as shown in Fig. 3.
- Place the LP Gas Tank into the Tank Tray Set so that the tank valve faces the right rear corner. Install LP Regulator onto the Gas Tank.



Pan Head Screw  
3/16"x3/8"  
Qty. 5  
Part# S182G03061

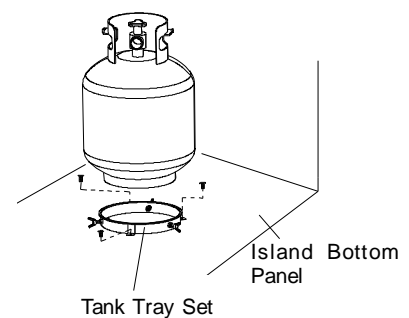
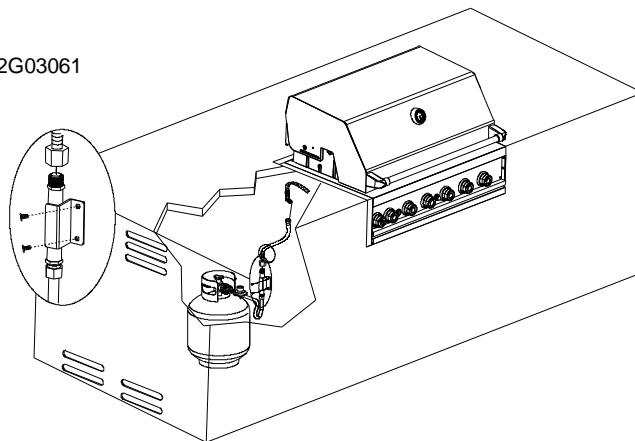


Fig. 3

## 6

### Install Partition Panel (for B3810BLP & BAI10BLP Models)

- Install the Partition Panel (not included in this unit) onto the left island. Make sure there is 22-24" of clearance between the partition panel and the Tank Holder Assembly.

CAUTION: Build your grill island before installing the LP Gas Tank and Partition Panel (Not included in this unit). Refer to the heights listed in Fig. 4 for constructing your grill island. An island unit is not included with the purchase of your Grill Head.

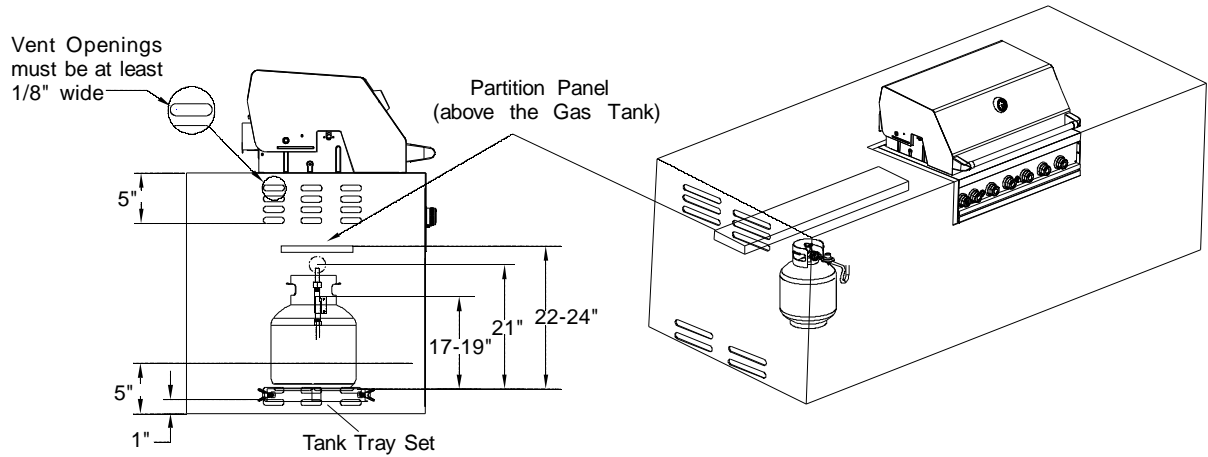
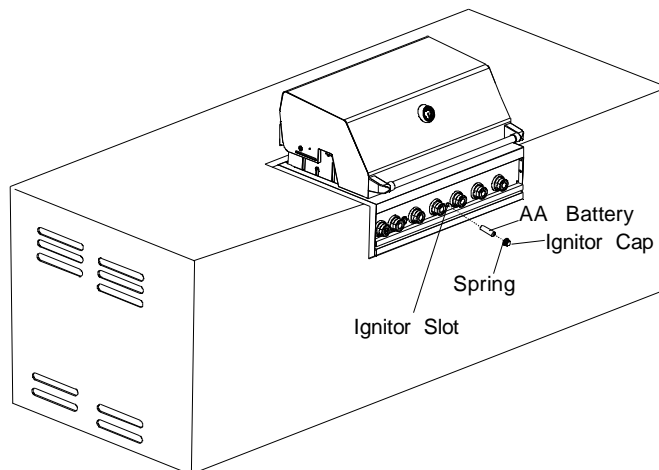


Fig. 4

## 7

### Install Ignitor Battery

- Remove Ignitor Cap from Control Panel.
- Place supplied AA battery into the Ignitor Slot with positive pole facing you.
- Position the Cap and Spring over the AA battery and tighten onto Control Panel.



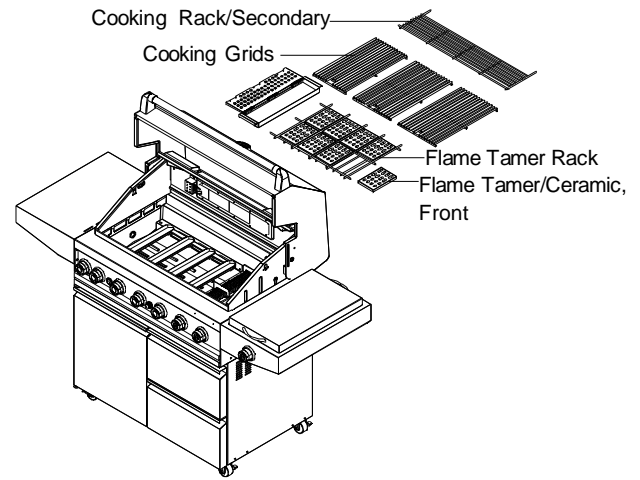
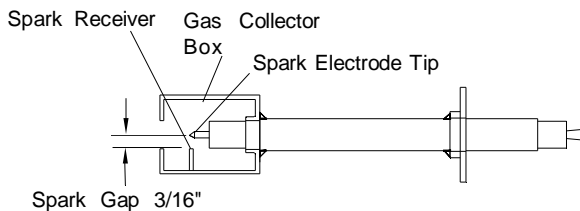
## 8

### Main Burner Electrode Check

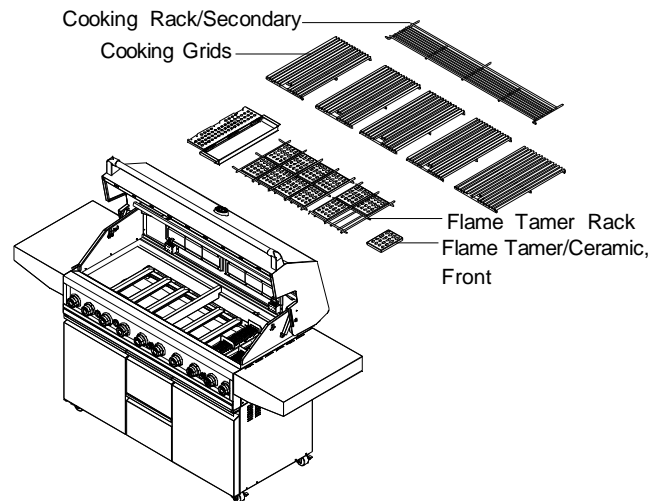
With the assistance of another person, perform this Electrode Check before proceeding.

This test will ensure that the Spark Electrode Tips are properly positioned so your grill lights easily.

- Be sure all Control Knobs are set to "OFF" and open the Grill Lid.
- Have your assistant stand behind to the right of the grill and look toward the front of the grill bowl. **Never** put your face inside the Grill Head.
- Push and turn Burner Control Knob to HI/⚡ and you will hear a "clicking" sound as the burner is being ignited. Your assistant should see a blue spark within each Gas Collector Box. If a spark is present the Electrode Tips are properly positioned.
- If no spark is seen, the Spark Gap needs to be adjusted as follows:
  - If the gap between the Spark Electrode Tip and Receiver is more than 3/16" wide use needle nose pliers to gently squeeze the Gas Collector Box to narrow gap.
  - Recheck the Electrode again, if no "clicking" sound is heard:
    - AA Battery may be installed backwards.
    - Electric wires may be loose. Remove the AA Battery and inspect the Ignitor Junction Box found behind the Control Panel and reconnect any loose wires.



(for B3810ALP/NG & B3810BLP/NG Models)



(for BAI10ALP/NG & BAI10BLP/NG Models)

## 9

### Infrared Burner and Rotisserie Burner Electrode Check

- Push and turn Infrared Burner Control Knob & Rotisserie Burner Control Knob to HI/⚡. Look for spark between electrode tip and spark receiver tip.
- If you don't see a spark from the Infrared Burner Electrode or Rotisserie Burner, adjust the gap between the electrode tip and spark receiver tip to 3/16" wide.

## 10

### Install Cooking Components

- Place the Flame Tamer Rack inside the Grill Bowl. Position it onto the lower ledge of the Bowl above the burners. Next, place the Flame Tamers on the Flame Tamer Rack. Make sure the flame tamer side with the wider holes is placed downwards. (See the diagrams on right)
- Place the Cooking Grids on the ledge above the Flame Tamers.
- Place the Secondary Cooking Rack into the slots on Grill Bowl Side Panels.

### Final Grill Assembly Step

When you have finished assembling your grill, be sure that all screws are tightened for safe operation of your grill.

Before each use of the grill, make sure the Grease Tray is fully seated under the Grill Bowl.


**CAUTION:** The Grease Tray should be inspected before each grill use to be sure there is no excessive grease buildup. Clean the Grease Tray frequently to eliminate grease build-up and to prevent grease fires.

## USE AND CARE INSTRUCTIONS


### CORRECT LP GAS TANK USE

- LP Gas grill models are designed for use with a standard 20 lb. Liquid Propane Gas (LP Gas) tank (sold separately). **Never** connect your gas grill to an LP Gas tank that exceeds this capacity. A tank of approximately 12 inches in diameter by 18-1/2 inches high is the maximum size LP Gas tank to use. **You must use an "OPD" gas tank which offers a listed Overfill Prevention Device.** This safety feature prevents tank from being overfilled which can cause a malfunction of the LP Gas tank.
- The LP Gas tank must be constructed and marked in accordance with the Specifications for LP-Gas Cylinders of the U.S. Department of Transportation (D.O.T.) or the National Standard of Canada, CAN/CSA-B339, Cylinders, Spheres and Tubes for Transportation of Dangerous Goods, and Commission; as applicable.
- The LP Gas tank must have a shutoff valve, terminating in an LP Gas supply tank valve outlet, that is compatible with a Type 1 tank connection device. The LP Gas tank must also have a safety relief device that has a direct connection with the vapor space of the tank.
- The tank supply system must be arranged for vapor withdrawal.
- The LP Gas tank must have a collar to protect the tank valve.
- Never connect an unregulated LP gas tank to your gas grill. The gas regulator assembly supplied with your gas grill is adjusted to have an outlet pressure of 11" water column (W.C.) for connection to an LP gas tank. Only use the regulator and hose assembly supplied with your gas grill. Replacement hose and regulator assembly must be identical to those listed in the parts list of this Operator's Manual as specified by Grand Hall.
- Have your LP Gas dealer check the release valve after every filling to ensure it remains free of defects.
- Always keep LP Gas tank in upright position.
- Do not subject the LP Gas tank to excessive heat.
- Never store an LP Gas tank indoors. If you store your gas grill in the garage always disconnect the LP Gas tank first and store it safely outside.
- LP Gas tanks must be stored outdoors in a well-ventilated area and out of the reach of children.
- Disconnected LP Gas tanks must not be stored in a building, garage or any other enclosed area.
- The regulator and hose assembly can be seen by opening the cart or island doors. They must be inspected before each use of the grill. If the hose is damaged in any way, it must be replaced prior to using the grill again.
- Any attempt to convert the grill from one fuel type to another is extremely hazardous and will void the warranty.
- Never light your gas grill with the lid closed or before checking to ensure the burner tubes are fully seated over the gas valve orifices.
- Never allow children to operate your grill. Do not allow children or pets to play near your grill. Always supervise children and pets if they are in the vicinity of the unit.
- Use of alcohol, prescription or non-prescription drugs can impair your ability to properly assemble and safely operate your grill.

- Keep fire extinguisher readily accessible. In the event of an oil/grease fire, do not attempt to extinguish with water. Use type B extinguisher or smother with dirt, sand or baking soda.
- In the event of rain, turn off the burners and gas supply. Wait for the grill to cool, and then place a cover on it.
- Use your grill on a level, stable surface in an area clear of combustible materials.
- Do not leave grill unattended when in use.
- Do not move the appliance when in use.
- Allow the grill to cool before moving or storing.
- Do not use your grill as a heater.
- This grill is not intended to be installed in or on recreational vehicles and/or boats.
- The grill is not intended for commercial use.
- Never** use charcoal or lighter fluid in this grill.




### WARNING




A. Do not store a spare LP-Gas tank under or near this appliance.

B. Never fill the tank beyond 80 percent full; and

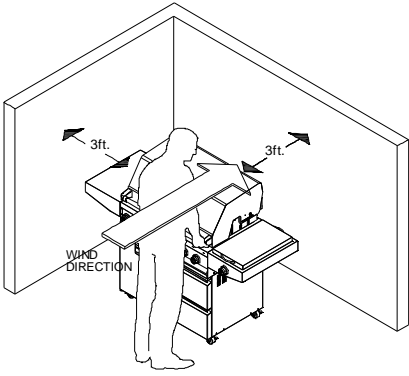
C. If the information in "(a)" and "(b)" is not followed exactly, a fire causing death or serious injury may occur.



### WARNING



- Use your grill at least 3 feet away from any wall or surface.
- Use your grill 3 feet away from any combustible objects that can melt or catch fire such as vinyl or wood siding, fences, overhangs (See Diagram Below), or any other sources of ignition; including pilot lights and live electrical appliances.
- Do not use your grill under any overhead combustible construction.
- Never use your gas grill in a garage, porch, shed, breezeway, or any other enclosed area.
- Never use your gas grill on a balcony, deck, or patio above the ground floor of your home.
- In windy conditions, always position the front of the grill to face oncoming wind to reduce heat and smoke blowing in your face, and to prevent potential hazards to yourself and the grill.



(for B3810ALP/NG & BAI10ALP/NG Models)

## USE AND CARE INSTRUCTIONS

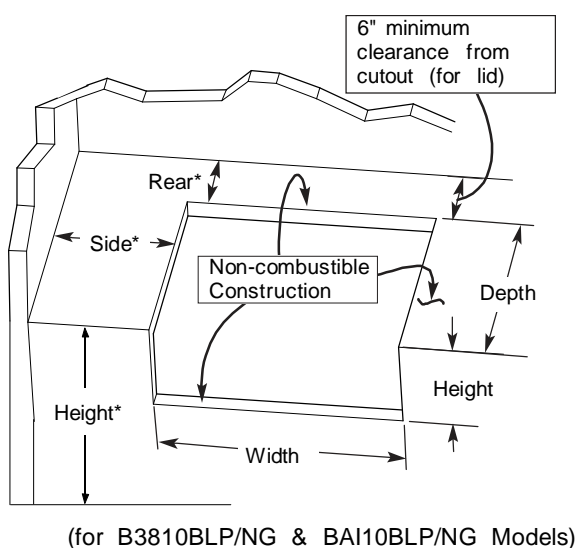


### WARNING



Refer to the this table when designing the island unit for the B3810BLP/NG & BAI10BLP/NG. Side\* and Rear\* show the minimum amount of distance the unit must be from combustibles (ex. Vinyl or wood siding, fences and overhangs) or sources of ignition (ex. Pilot lights on water heaters and live electrical appliances). Height\* shows the minimum height the island unit must be starting from the ground up.

Model	Height	Width	Depth	Side*	Rear*	Height*
B3810B LP/NG	10"	38-3/4"	24-1/2"	36"	36"	29"
BAI10B LP/NG	10"	52-3/4"	24-1/2"	36"	36"	29"



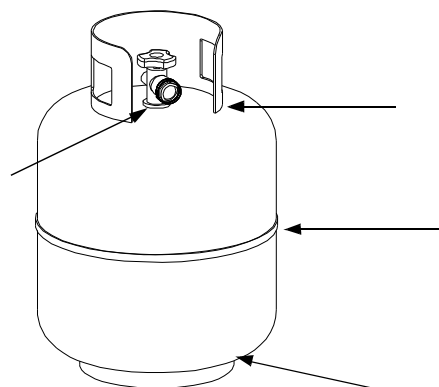
#### NOTE about LP Gas Tank Exchange Programs

- Many retailers that sell grills offer you the option of replacing your empty LP Gas tank through an exchange service. Use only those reputable exchange companies that inspect, precision fill, test and certify their tanks. Exchange your tank only for an OPD safety feature-equipped tank as described in the LP Gas tank section of this guide.
- Always keep new and exchanged LP Gas tanks in an up-right position during use, transit or storage.
- Leak test new and exchanged LP Gas tanks BEFORE connecting one to your grill.

#### How to Leak Test your LP Gas Tank

##### For your safety:

- All leak tests must be repeated each time your LP Gas tank is exchanged or refilled.
- When checking for gas leaks do not smoke.
- Do not use an open flame to check for gas leaks.
- Your grill must be leak tested outdoors in a well-ventilated area, away from ignition sources such as gas fired or electrical appliances. During the leak test, keep your grill away from open flames or sparks.
- Do not use household cleaning agents. Damage to gas assembly components can result.
- ☞ Use a clean paintbrush and a 50/50 mild soap and water solution.
- ☞ Brush soapy solution onto LP Gas tank in the areas indicated by the arrows. See diagram.
- ☞ If growing bubbles appear do not use or move the LP Gas tank. Call an LP Gas Supplier or your Fire Department.



### WARNING



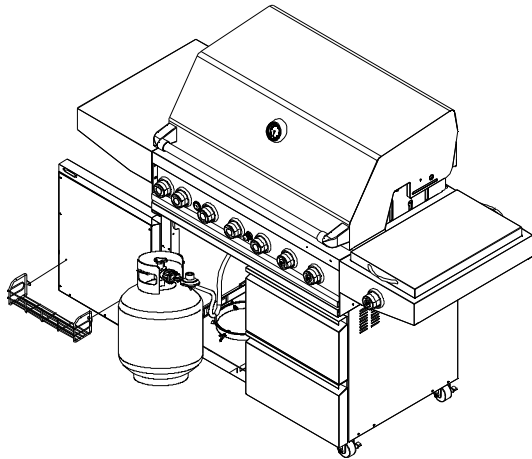
If growing bubbles appear do not use or move the LP Gas tank. Contact an LP Gas Supplier or your fire department!

# USE AND CARE INSTRUCTIONS

## LP Gas Model only:

### Secure a 20lb LP Gas Tank to Gas Grill (for B3810ALP & BAI10ALP)

- Turn your LP Gas Tank Valve clockwise to the closed or OFF position.
- Open the door and remove the 2 Screws from the Trim Plate of the Left Door to remove the Spice Basket.
- Place the LP Gas Tank into the Tank Tray Set. Be sure that the bottom of the Tank fully rests in cutout of Tank Tray Set.
- Install the Gas Tank so the Tank Valve faces the right rear corner of cabinet.
- Attach the Regulator with Hose to the gas tank.



### Secure a 20lb LP Gas Tank to Gas Grill (for B3810BLP & BAI10BLP)

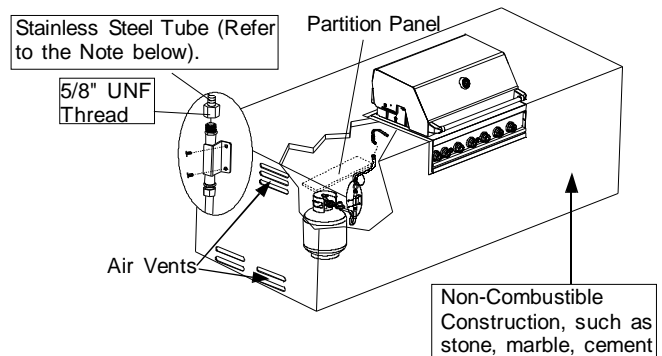
Note: You can only use a 20lb LP Gas Tank in this Gas Grill.

**NOTE:** When using Propane, EXTREME CAUTION should be used to provide ample ventilation of vapor from the enclosure. LP Gas vapor is heavier than air and SERIOUS INJURY from a DANGEROUS EXPLOSION could occur if LP Gas is allowed to accumulate in an enclosure and then ignited. Both the Barbecue enclosure and LP cylinder enclosure require venting that must be provided at the floor level of the enclosure to allow any leaking LP Gas vapor to escape (see Fig. 1).

**NOTE:** When installing a barbecue equipped for liquid propane in an island, the propane tank must be in a separate enclosure that is completely isolated from the barbecue. It must be cross-ventilated in accordance with the current standards. The propane tank MUST NEVER be installed directly under the barbecue.

**NOTE:** The total of the upper ventilation openings must be a minimum of 20 sq. inches. The total of the lower ventilation openings must be a minimum of 10 sq. inches. Upper and lower ventilation openings MUST BE PROVIDED on both sides of built-in construction. The top of the upper ventilations openings must be located within 5" from the top of the island. The bottom of the lower ventilation openings must be at least 1" or less from the floor of the island. The top of the lower ventilation openings cannot be more than 5" from the floor of the island. Every ventilation opening must have a minimum of 1/8" (See Fig. 4 on page 22). Contact a Grand Hall associate for more details.

Fig. 1



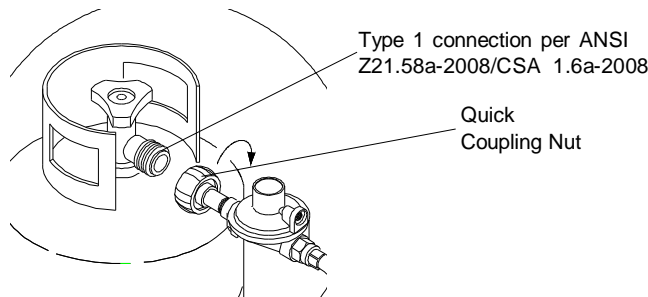
Note: The built-in appliance for use with a remote self-contained LP Gas supply system must use rigid pipe, semi-rigid tubing or a connector complying with the Standard for Connections for Gas Appliance, ZNSI Z21.24/CSA 6.10.

# USE AND CARE INSTRUCTIONS

## LP Gas Model only:

### Connect Regulator with Hose to your LP Gas Tank

- Turn all Control Knobs to the OFF position.
- Inspect the valve connection port and regulator assembly for damage or debris. Remove any debris. Never use damaged or plugged equipment.
- Connect the regulator assembly to the tank valve and **HAND TIGHTEN** nut clockwise to a full stop. **DO NOT** use a wrench to tighten because it could damage the Quick Coupling Nut and result in a gas leak/fire hazard.
- Open the tank valve 1/4 to 1/2 of a full turn (counterclockwise) and use a soapy water solution to check all connections for leaks before attempting to light your grill. See "Check All Connections for LP Gas Leaks." If a leak is found, turn the tank valve off and do not use your grill until the leak is repaired.



**CAUTION:** When the appliance is not in use the gas must be turned off at the tank. Place dust cap on cylinder valve outlet whenever the cylinder is not in use. Only install the type of dust cap on the cylinder valve outlet that is provided with the cylinder valve. Other types of caps or plugs may result in leakage of propane.



If you have a gas leak that cannot be repaired, turn off the gas at the source and disconnect the fuel line from your grill. Call 1-877-934-7455 or your gas supplier for repair assistance.

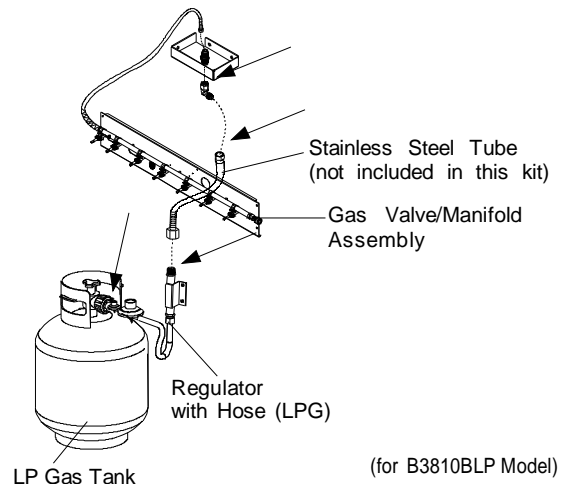
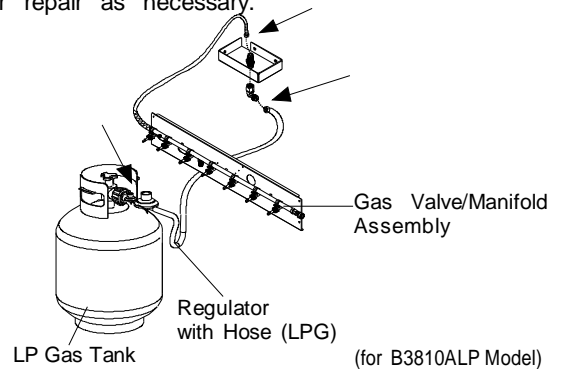


1. Do not store spare LP cylinder within 10 feet (3m) of this appliance.
2. Do not store or use gasoline or other flammable liquids and vapors within 25 feet (8m) of this appliance.
3. When cooking with oil/grease, do not allow the oil/grease to get hotter 350°F (177°C).
4. Do not leave oil/grease unattended.

### Check all connections for LP Gas Leaks

**Never** test for leaks with an open flame. Prior to first use, at the beginning of each season, or every time your LP Gas tank is changed, you must check for gas leaks. Follow these three steps:

- Make a soap solution by mixing one part liquid detergent and one part water.
- Turn the grill Control Knobs to the full OFF position, then turn the gas ON at source.
- Apply the soap solution to all gas connections indicated by the arrows. (See diagram). If bubbles appear in the soap solution the connections are not properly sealed. Check each fitting and tighten or repair as necessary.



### Disconnecting A Liquid Propane Gas (LPG) Tank From Your Grill

- Make sure the Burner Valves and LP Gas tank valve are off. (Turn clockwise to close.)
- Detach the hose and regulator assembly from the LP Gas tank valve by turning the Quick Coupling Nut counterclockwise. Do not use a wrench or any tools when turning the Quick Coupling Nut.



Failure to read and follow the Use and Care Instructions could result in a fire or explosion that could cause serious bodily injury, death, or property damage.

# Natural Gas Connection

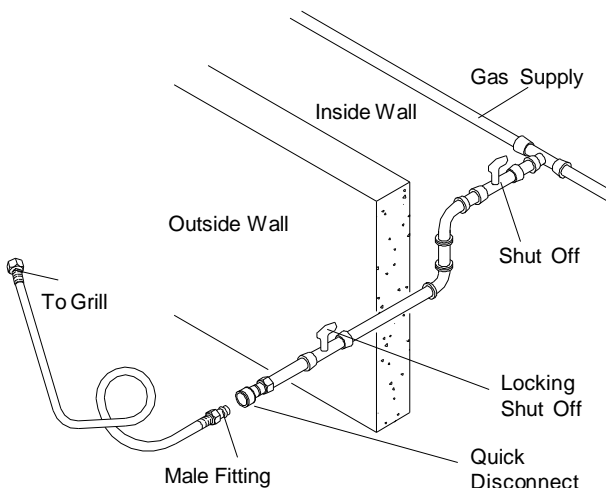
## Natural Gas Model only: Connecting Natural Gas To Your Grill

- Connect the Swivel nut of the 12' Natural Gas Hose to the horizontal fitting of NG Regulator as shown in **Fig.1**. Connect the other hose end (male plug) to the gas supply line from your home. Read and follow the "Natural Gas Safety Instructions" below.

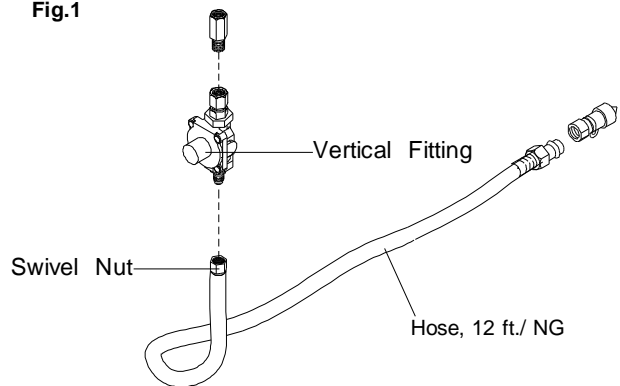
## Natural Gas Safety Instructions

- Your natural gas grill is designed for use with natural gas (NG) only. The gas pressure Regulator supplied with this appliance **must** be installed and used on your grill. The unit and Regulator are set to operate with an outlet pressure of 4" W.C.
- Install a Shutoff Valve at the gas supply source outdoors at a point after the gas pipe exits the outside wall and before the quick-disconnect hose. Or install it at the point before the gas line piping enters the ground. See **Fig. 2**.
- Pipe sealing compound or pipe thread tape resistant to the action of natural gas must be used on all male pipe thread connections.
- Disconnect your gas grill from fuel source when the gas supply is being tested at high pressures. This gas grill and its individual shutoff valve must be disconnected from the gas supply pipe system during any pressure testing of that system at pressure in excess of 1/2 psi (3.5kpa).
- Turn off your gas grill when the gas supply is being tested at low pressures. The grill must be isolated from the gas supply pipe system by closing its individual manual shutoff valve during any pressure testing of the gas supply pipe system at pressures equal to or less than 1/2 psi (3.5kpa).

**Fig.2**



**Fig.1**

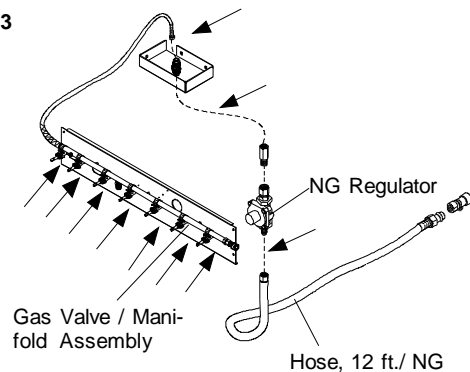


## Check all connections for Natural Gas Leaks

**Never** test for leaks with an open flame. Prior to first use and at the beginning of each season, you must check for gas leaks. Follow these three steps:

- Make a soap solution by mixing one part liquid detergent and one part water.
- Turn the grill Control Knobs to their full OFF positions. Next, turn the gas ON at the source.
- Apply the soap solution to all gas connections indicated by the arrows. See **Fig.3**. If bubbles appear in the soap solution the connections are not properly sealed. Check each fitting and tighten or repair as necessary.

**Fig.3**



(for B3810ANG & B3810BNG Models)

## Gas Line Piping:

- If the length of line required does not exceed 50 feet, use a 5/8" O.D tube. One size larger should be used for lengths greater than 50 feet.
- Gas piping must be copper tubing, type K or L; polyethylene plastic tube, with a minimum wall thickness of 0.62 inch; or standard weight (schedule 40) steel or wrought iron pipe.
- Copper tubing must be tin-lined if the gas contains more than 0.3 grams of hydrogen sulfide per 100 cubic feet of gas.
- Plastic tubing is suitable only for outdoor, underground use.
- Gas piping in contact with earth, or any other material which may corrode the piping, must be protected against corrosion in an approved manner.
- Underground piping must have a minimum of 18' cover.

# USE AND CARE INSTRUCTIONS

## Grill Lighting Instructions

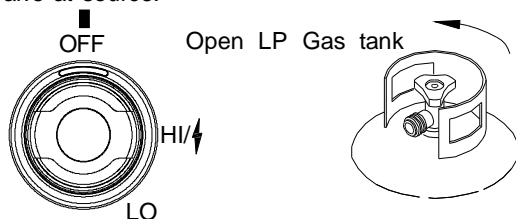
1. Before each use, check all hoses for cracks, nicks, cuts, burns or abrasions. If a hose is damaged in any way, do not use your grill before replacing the hose with an authorized part from the Parts List. Also make sure all gas supply connections are securely tightened.
2. Familiarize yourself with all Safety and Use and Care instructions in this manual. Do not smoke while lighting your grill or when checking the gas supply connections.
3. Be sure that the LP Gas tank is filled, and lock Casters (if the grill is a cart model) to prevent movement during grill operation.
4. Open the Grill Lid.



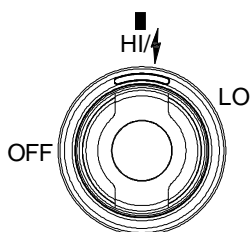
## WARNING

Failure to replace a faulty hose, secure gas supply connections or to open the Lid before proceeding to the Lighting Procedures could result in a fire or explosion that could cause serious bodily injury, death, or property damage.

5. Set Control Knobs to OFF and open the LP Gas tank valve **SLOWLY 1/4 of a turn**. For Natural Gas open the Shut Off Valve at source.



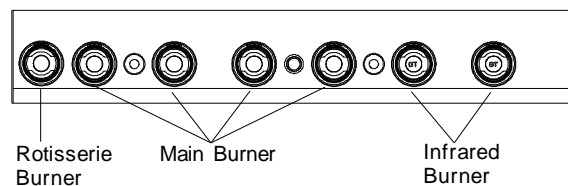
6. Push and turn Right Main Burner Control Knob to HI/⚡. You will hear a clicking sound as the burner is being ignited. Always light the RIGHT Main Burner first.



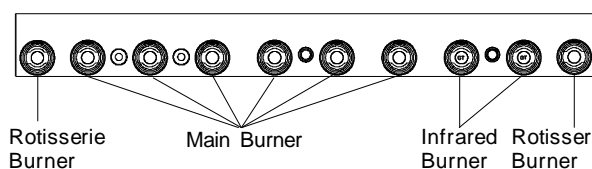
7. If ignition does not occur in 5 seconds, turn the Burner Control(s) off, wait 5 minutes, and repeat the lighting procedure. If ignition still does not occur, turn the burner control(s) and gas source OFF. Wait 5 minutes for gas to clear and then conduct a leak test of ALL gas connections and gas sources as explained in the Use and Care section of this manual. If no leaks are detected, wait 5 minutes for any gas to clear and repeat the lighting procedure.

8. After one Burner is lit, turn the tank valve SLOWLY one more 1/4 of a turn.

9. Turn each other burner knob to HI/⚡ to light. Note: When lighting all main burners, start with the burner furthest from fuel source location, then light remaining burners in sequence moving toward fuel source.



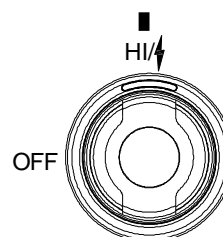
(for B3810ALP/NG & B3810BLP/NG Models)



(for BAI10ALP/NG & BAI10BLP/NG Models)

## Rotisserie Burner Lighting Instructions

1. Follow steps 1 through 5 of the Grill Lighting Instructions.
2. Push and turn Control Knob to HI/⚡ and hold knob in.

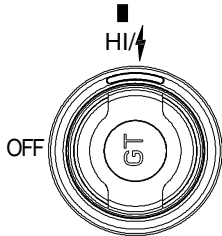


3. Keep pressing and hold in 5 - 10 seconds before releasing.
4. If ignition does not occur in 5 seconds, turn the Burner Control(s) off, wait 5 minutes, and repeat the lighting procedure. If ignition still does not occur, turn the burner control(s) and gas source OFF. Wait 5 minutes for gas to clear and then conduct a leak test of ALL gas connections and gas sources as explained in the Use and Care section of this manual. If no leaks are detected, wait 5 minutes for any gas to clear and repeat the lighting procedure.
5. After Burner is lit, turn the tank valve SLOWLY one more 1/4 of a turn.

**IMPORTANT:** Do not use the Rotisserie Burner and Main Burners at the same time. Rotisserie burner is for Rotisserie Cooking only.

### Infrared Burner Lighting Instructions

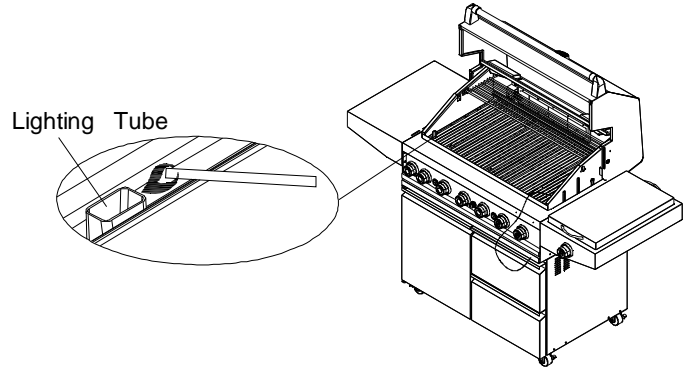
1. Follow steps 1 through 5 of the Grill Lighting Instructions.
2. Push and turn Control Knob to HI/⚡. You will hear a clicking sound as the burner is being ignited.



3. If ignition does not occur in 5 seconds, turn the Burner Control(s) off, wait 5 minutes, and repeat the lighting procedure. If ignition still does not occur, turn the burner control(s) and gas source OFF. Wait 5 minutes for gas to clear and then conduct a leak test of ALL gas connections and gas sources as explained in the Use and Care section of this manual. If no leaks are detected, wait 5 minutes for any gas to clear and repeat the lighting procedure.
4. After Burner is lit, turn the tank valve SLOWLY one more 1/4 of a turn.

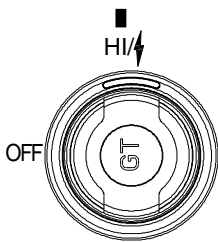
### Manually Lighting Your Grill By Paper Match

To light your gas grill by match, insert a match into the Lighting Stick and follow steps 1 through 5 of the Grill Lighting Instructions to light the infrared burners. Then, light the match and place Lighting Stick through the Cooking Grids on the grill or through the opening of the Lighting Tube (See Diagrams Below) to light the main burners. Turn the nearest Control Knob to the HI/⚡ setting to release gas. The Burner should light immediately.



### Side Burner Lighting Instructions (for B3810ALP/NG and B3810BLP/NG models)

1. Follow steps 1 through 5 of the Grill Lighting Instructions.
2. Push and turn Control Knob to HI/⚡.



3. The built-in spark ignitor will light the burner automatically.
4. You may have to push and turn the control knob up to 3 or 4 times to light.
5. If ignition does not occur in 5 seconds, turn the Burner Control(s) off, wait 5 minutes, and repeat the lighting procedure. If ignition still does not occur, turn the burner control(s) and gas source OFF. Wait 5 minutes for gas to clear and then conduct a leak test of ALL gas connections and gas sources as explained in the Use and Care section of this manual. If no leaks are detected, wait 5 minutes for any gas to clear and repeat the lighting procedure.
6. After Burner is lit, turn the tank valve SLOWLY one more 1/4 of a turn.

# USE AND CARE INSTRUCTIONS



## Troubleshooting



### If the grill fails to light :



1. Turn gas off at source and turn Control Knobs to OFF. Wait at least 5 minutes for gas to clear, then retry.
2. If your grill still fails to light, check gas supply and connections.
3. Repeat lighting procedure. If your grill still fails to operate, turn the gas off at source, turn the Control Knobs to OFF, then check the following:
  - Misalignment of Burner Tubes over Orifices  
**Correction:** Reposition Burner Tubes over Orifices.
  - Obstruction in gas line  
**Correction:** Remove fuel line from grill. Do not smoke! Open gas supply for one second to clear any obstruction from fuel line. Close off gas supply at source and reconnect fuel line to grill.
  - Plugged Orifice  
**Correction:** Remove Burners from grill by removing the screw from the rear of each Burner using a Phillips Head Screwdriver. Carefully lift each Burner up and away from gas valve Orifice. Remove the Orifice from gas valve and gently clear any obstruction with a fine wire. Then reinstall all Orifices, Burners, screws and cooking components.
  - If an obstruction is suspected in Gas Valves or Manifold, call the Grill Information Center 1-877-934-7455 Monday - Friday 8:00am-4:30pm CST.
  - Obstruction in Burner Tubes  
**Correction:** Follow the Burner Tube cleaning procedure on **page 36** of this Operator's Manual.
  - Misalignment of Ignitor on Burner  
**Correction:** Check for proper position of the Electrode Tip as shown in **steps 8 & 9 on page 23**. The gap between the Spark Electrode Tip and Spark Receiver should be approximately 3/16" wide. Adjust if necessary. With the gas supply closed, turn any Main Burner Control Knob to HI/⚡, push in, and watch for the presence of a spark at the end of the Electrode
  - Disconnected Electric Wires  
**Correction:** Inspect the Ignitor Junction Box found behind the Control Panel. Connect loose Electric wires to Junction Box and try to light the grill.
  - Weak AA battery  
**Correction:** Remove the Ignitor Cap and replace the battery.
  - If the grill still does not light you may need to purge air from the gas line or reset the regulator excess gas flow device. **Note:** This procedure should be done every time a new LP Gas tank is connected to your grill.

### To purge air from your gas line and/or reset the regulator excess gas flow device:

- Turn Control Knobs to the OFF position.
- Turn off the gas at the tank valve. For Natural Gas close Shut Off Valve.
- Disconnect regulator from LP Gas tank. For Natural Gas disconnect regulator from 12 ft. Natural Gas Hose.
- Let unit stand 5 minutes to allow air to purge.
- Reconnect regulator to the LP Gas tank. For Natural Gas reconnect regulator to 12 ft. Natural Gas Hose.
- Turn tank valve on SLOWLY 1/4 of a turn. For Natural Gas open Shut Off valve.
- Open the Grill Lid.
- Push and turn the **Right Main Burner Control Knob** to HI/⚡ and you will hear a clicking sound as the burner is being ignited.

	<b>WARNING</b>	
<p>Should a FLASHBACK fire occur in or around the Burner Tubes, follow the instructions below. Failure to comply with these instructions could result in a fire or explosion that could cause serious bodily injury, death, or property damage.</p> <ul style="list-style-type: none"> <li>⚡ Shut off gas supply to the gas grill.</li> <li>⚡ Turn the Control Knobs to OFF position.</li> <li>⚡ Open the Grill Lid.</li> <li>⚡ Put out any flame with a Class B fire extinguisher.</li> <li>⚡ Once the grill has cooled down, clean the Burner Tubes and Burners according to the cleaning instructions in this Use and Care Guide.</li> </ul>		

	<b>WARNING</b>	
<p>If ignition does not occur in 5 seconds, turn the Control Knob(s) and gas source OFF and conduct a leak test as explained in the Use and Care section of this guide. If no leaks are detected, wait 5 minutes for any gas to clear and repeat the lighting procedure.</p>		

	<b>WARNING</b>	
<p><b>Never</b> lean over the grill cooking area while lighting your gas grill. Keep your face and body a safe distance (at least 18 inches) from the front of grill when lighting your grill by match.</p>		

# USE AND CARE INSTRUCTIONS

## CORRECT ROTISSERIE USE

Read all instructions before initial use.

**IMPORTANT:** When using electrical appliances, basic safety precautions should always be used.

The Rotisserie Motor is set for 120V, 60Hz AC current.

The Rotisserie is for outdoor use only.

Do not equip your rotisserie with meat in excess of 10-12 pounds.

Do not let children operate or play nearby your grill or Rotisserie. Always supervise children and pets if they are in the vicinity of the unit.

### Connecting Rotisserie

Always attach the assembled Rotisserie to your grill first and then plug the Cord into a properly grounded outlet.

### Operating Rotisserie

Do not operate the Rotisserie if the cord or plug has been damaged in any manner. Do not use the Rotisserie if cannot be operated safely.

Do not immerse Electrical Cord, Plug or Motor in water or expose to rain, as this may result in an electrical shock.

### Disconnect Rotisserie

Be careful as all surfaces will be hot, both grill and Rotisserie parts. Use protective mitts to handle the Rotisserie. Unplug the Rotisserie from electrical outlet when not in use and before cleaning. Allow to cool before adding or removing parts.

When Rotisserie cooking place a Cooking Pan under the food to be cooked as this will capture the drippings and keep your grill clean of excess grease which could cause a fire.

**CAUTION:** Handle with care when moving a Cooking Pan with hot oils.

Should a grease fire occur, turn the burners and gas off and leave the grill lid closed until the fire is out.

### Store the Rotisserie indoors

When Rotisserie is not in use, store it indoors in a dry place.

## CORRECT TRANSFORMER AND LIGHT USE

Read all instructions before initial use.

**IMPORTANT:** When using electrical appliances, basic safety precautions should always be used.

The Transformer is set for 120V, 60Hz AC current input, 12VAC, 25W output. The Light is set for 12V, 10W.

Do not let children operate or play nearby your grill or Transformer. Always supervise children and pets if they are in the vicinity of the unit.

### Connecting Transformer

Always attach the assembled Transformer to your grill first and then plug the Cord into a properly grounded outlet, then turn on the Lights.

### Operating Transformer and Light

Do not operate the Transformer if the cord or plug becomes damaged, or if the Transformer or Light malfunctions or have been damaged in any manner.

Do not operate the Transformer if the cord or plug has been damaged in any manner. Do not use the Transformer and Light if cannot be operated safely.

Do not immerse Electrical Cord or Plug in water or expose to rain, as this may result in an electrical shock.

### Disconnect Transformer

Be careful as all surfaces will be hot, including grill, Transformer and the Light. Turn off the Lights and unplug the Transformer from electrical outlet when not in use and before cleaning.



To protect against electrical shock, do not immerse electrical cord, plugs or motor in water or expose to rain. Protect electrical elements from burners, hot grill surfaces and grease.



To protect against shock hazard risk, connect only to properly Grounded Outlet.



California Proposition 65  
The electrical supply cord and plug of the Rotisserie and Transformer contain chemicals, including lead, known to the State of California to cause cancer, and birth defects or other reproductive harm. Wash hands after handling.

## ELECTRICAL EQUIPMENT USE

1. To protect against electric shock, do not immerse cord or plugs in water or other liquid.
2. Allow Rotisserie and Grill to cool before putting on or taking off parts.
3. Do not operate any outdoor cooking gas appliance with a damaged cord, plug, or after the appliance malfunctions or has been damaged in any manner. Call 1-877-934-7455 for repair.
4. Do not let the cord hang over the edge of a table or touch hot surfaces.
5. Do not use an outdoor cooking gas appliance for purposes other than its intended use.
6. When connecting, first connect plug to the outdoor cooking gas appliance then plug appliance into the outlet.
7. Use only a Ground Fault Interrupter (GFI) protected circuit with this outdoor cooking gas appliance.
8. Never remove the grounding plug or use with an adapter of 2 prongs.
9. Use only extension cords with a 3 prong grounding plug, rated for the power of the equipment, and approved for outdoor use with a W-A marking.

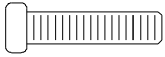


This appliance, when installed, must be electrically grounded in accordance with local codes or, in the absence of local codes, with the *National Electrical Code*, *ANSI/NFPA 70*, or the *Canadian Electrical Code*, *CSA C22.1*.

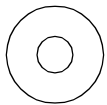
Keep any electrical supply cord and the fuel supply hose away from any heated surface.

# Rotisserie Instructions

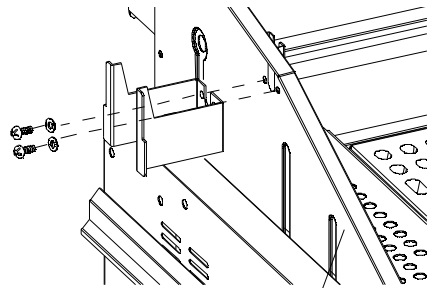
1. Remove all components from the carton.
2. Attach the Motor Bracket on the outside of the left grill bowl panel. Align the two holes of the Bracket with the holes on the grill bowl. Tighten securely using two Screws 3/16"x1/2" UNC and Plain Washers provided.



Rotisserie Screw 3/16"x1/2" UNC  
Qty. 2  
Part # S112G03084

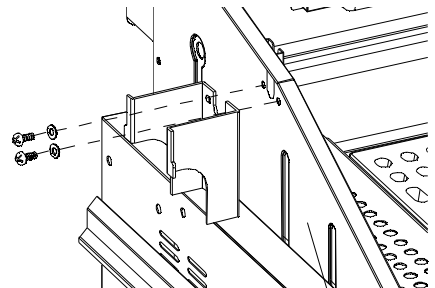


Rotisserie Washer  
Qty. 2  
Part # S411G03064



Outside of left grill bowl panel

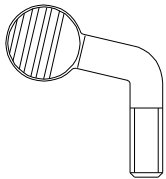
(B3810ALP/NG & B3810BLP/NG)



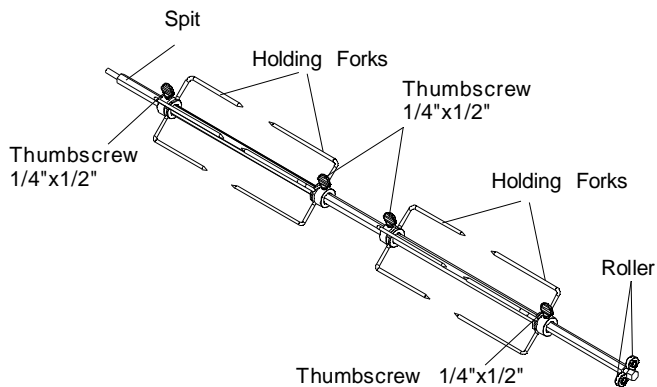
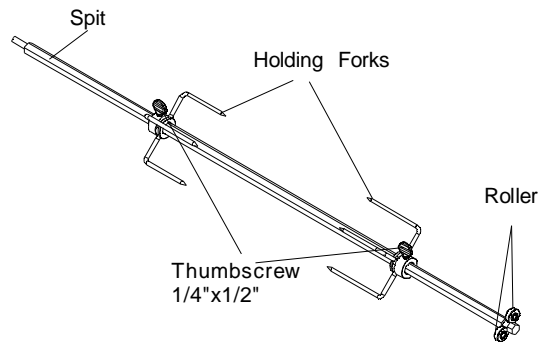
Outside of left grill bowl panel

(BAI10ALP/NG & BAI10BLP/NG)

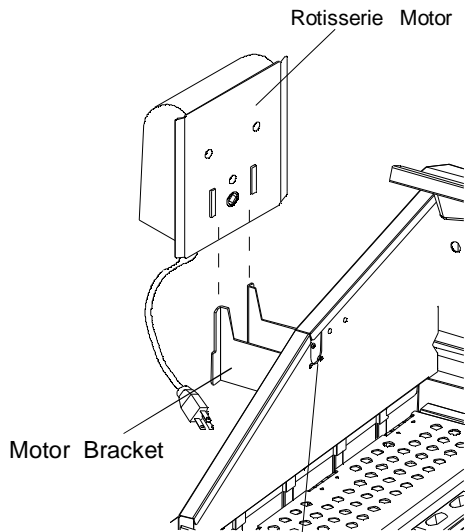
3. Make sure Rollers are fixed in position. Slide the Holding Forks onto the Spit as shown. Place the food between the forks and tighten the Thumbscrews to keep the Holding Forks in position.



Rot. Thumbscrew 1/4"x1/2"  
Qty. 2 (for B3810ALP/NG & B3810BLP/NG)  
Qty. 4 (for BAI10ALP/NG & BAI10BLP/NG)  
Part # S195G04081

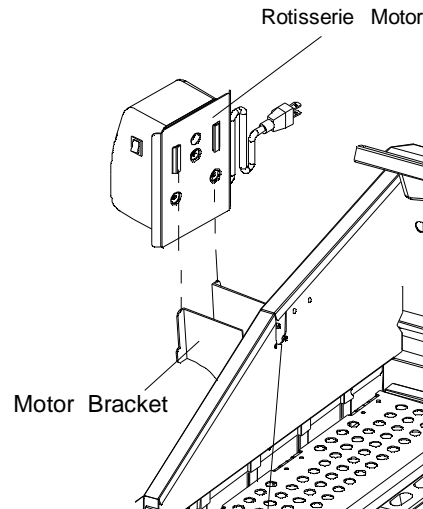


4. Install the AC (alternating current) Rotisserie Motor onto the Motor Bracket as shown below. Be sure the Motor attaches to the Bracket with the electrical cord down. This installation insures that once the Spit is inserted into the Motor it will also rest securely into the slot of your grill bowl.



The Spit Rod must rest into this slot of your grill bowl.

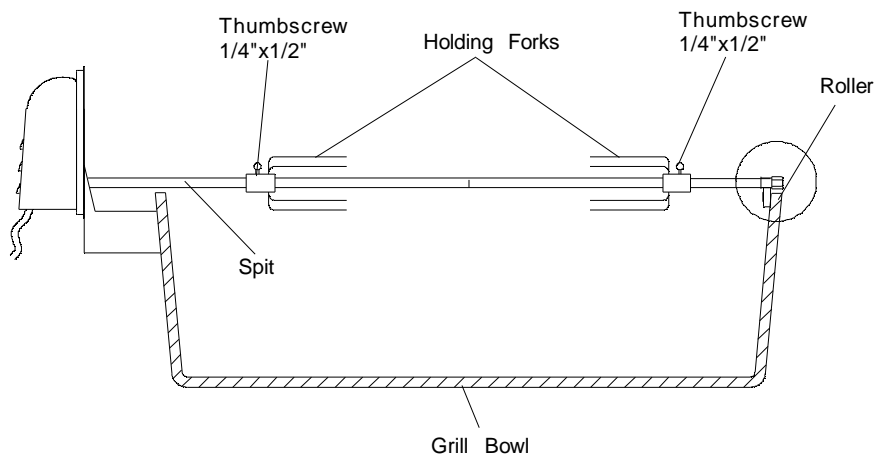
(B3810ALP/NG & B3810BLP/NG)



The Spit Rod must rest into this slot of your grill bowl.

(BAI10ALP/NG & BAI10BLP/NG)

5. Insert the assembled Rotisserie into the Motor as shown below. The Motor should be on the left side of your grill. Place the right side of the Rotisserie Spit onto the Rollers (installed in the Bowl Side Panel/Trim Plate, Right). The Rollers will stabilize the Rotisserie during the cooking process and allow it to turn smoothly. Plug the Rotisserie into an outlet and turn on to test.



## CLEANING AND MAINTENANCE

Proper care and maintenance will keep your grill in top operating condition and prolong its life. Follow these cleaning procedures on a timely basis and your grill will stay clean and operate with minimum effort.

**CAUTION:** Be sure your grill is OFF and cool before cleaning.

### Cleaning the Cooking Grids

- Before initial use, and periodically thereafter, wash your Cooking Grids in a mild soap and warm water solution. You can use a wash cloth or vegetable brush to clean your Cooking Grids.

### Cleaning the Flame Tamers

- You should periodically wash the Flame Tamers in a soap and warm water solution. Use a vegetable brush to remove stubborn burnt-on cooking residue. Dry the Flame Tamers thoroughly before you reinstall them into the cooking bowl.

### Cleaning the Grease Tray

- To reduce the chance of fire, the Grease Tray should be visually inspected before each grill use. Remove any grease and wash Grease Tray with a mild soap and warm water solution.

### Cleaning the Inside of the Grill Lid

- Grease can build up on the inside of the Grill lid over time. This grease can drip onto your deck or patio when the lid is opened. Visually inspect the inside of the Grill Lid before each grill use. Remove any grease and wash with a mild soap and warm water solution.

### Routine Cleaning of The Grill Interior

- Burning-off excess food after every cookout will keep it ready for instant use. However, at least every 3 months you must give the entire grill a thorough cleaning to minimize your risk of grease fire and keep the grill in top shape. Follow these steps:
  1. Turn all Control Knobs to the full OFF position.
  2. Turn the LP gas tank valve to the full OFF position.
  3. Disconnect the regulator from the gas tank. Inspect the hose with regulator assembly for cracking, cuts or any other damage, and replace as necessary. Refer to the Parts List in this Use and Care Guide.
  4. Remove and clean the Flame Tamers, Cooking Grids, Cooking Rack and Grill Burners.
  5. Cover each Gas Valve Orifice with aluminum foil.
  6. Brush the inside and bottom of the grill with a fiber pad or nylon brush and wash with a mild soap and warm water solution. Rinse thoroughly and let dry.
  7. Remove aluminum foil from Orifices and check each Orifice for obstruction.
  8. Check each Spark Electrode, adjusting as needed. The space between the Spark Electrode Tip and Spark Receiver should be approximately 3/16".
  9. Replace the Burners and adjust the Gas Collector Box. The edge of the collector box should be overlapping the Burner Port.
  10. Replace Flame Tamers and Cooking Grids.
  11. Reconnect the gas source and observe the Burner flame for correct operation.

### Cleaning Exterior Stainless Steel Surfaces:

- Routine care and maintenance is required to preserve the appearance and corrosion resistance of stainless steel. The fact is stainless steel can corrode, rust and discolor under certain conditions. Rust is caused when regular steel particles in the atmosphere become attached to the stainless steel surface. Steel particles can also become attached to your grill if you use steel wool or stiff wire brushes to clean the grill instead of non-abrasive cloth, sponge or nylon cleaning tools. In coastal areas rust pits can develop on stainless surfaces that cannot be fully removed. Bleach and other chlorine based solutions used for household and pool cleaning can also cause corrosion to stainless steel. Weathering, extreme heat, smoke from cooking and machine oils used in the manufacturing process of stainless steel can cause stainless steel to turn tan in color. Although there are many factors which can affect the surface appearance of stainless steel, they do not affect the integrity of the steel or the performance of the grill.
- To help maintain the finish of stainless steel follow these cleaning procedures for the best results:
  1. After every use (after your grill has cooled down), wipe stainless surfaces with a soft, soapy cloth or sponge then rinse with water. Be sure to remove all food particles, sauces or marinades from stainless steel because these can be highly acidic and damaging to stainless surfaces.
  2. Never use abrasive cleaners, scrubbers or stiff wire brushes of any type on your grill.
  3. Use a heat resistant Stainless Steel Cleaner and rub or wipe in the direction of the stainless steel grain or polish lines. Do not polish against the grain.

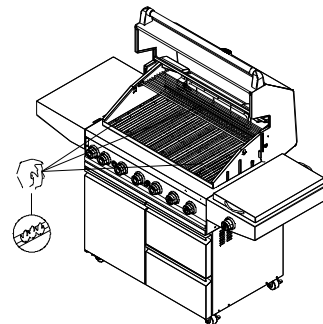


## WARNING



**Failure to comply with these instructions could result in a fire or explosion that could cause serious bodily injury, death or property damage.**

- Keep grill area clear and free from combustible materials, gasoline and other flammable vapors and liquids.
- Do not obstruct the flow of air for combustion and ventilation.
- Keep the ventilation openings of the tank enclosure cabinet free and clear of debris.
- Visually check burner flames occasionally to ensure proper flame pattern as shown below.



**MAGNIFIED VIEW OF GRILL MAIN BURNER, INFRARED BURNER AND ROTISSERIE BURNER FLAME THROUGH OPEN LID.**



## WARNING



**Do not leave the grill unattended during burn off. Empty and clean the grease tray before doing burn-off.**

## CLEANING THE BURNER TUBES AND BURNER PORTS

To reduce the chance of **FLASHBACK FIRE** you must clean the Burner Tubes as follows at least once a month in summer and fall or whenever spiders are active in your area, and if your grill has not been used for an extended period of time.

1. Turn all Burner Valves to the full OFF position.
2. Turn the LP Gas tank valve to the full OFF position. For Natural Gas, shut off Natural Gas Valve.
3. Detach the LP Gas regulator assembly from your gas grill.
4. Remove the Cooking Grids, Flame Tamers, and Grease Tray from your grill.
5. Remove the screws from the rear of each Main Burner using a Phillips Head Screwdriver. Remove screws along all sides of the Infrared Burner using a Phillips Head Screwdriver.
6. Carefully lift each Burner up and away from the Gas Valve Orifice.
7. Check and clean burner/venturi tubes for insects and insect nests. A clogged tube can lead to a fire beneath the grill.
8. Refer to **Figure 1** and perform one of these three cleaning methods:

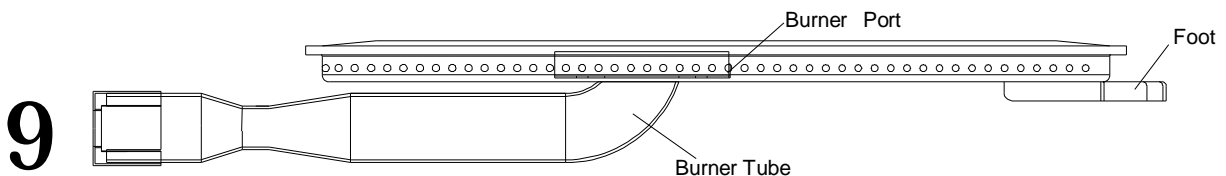
- METHOD 1:** Bend a stiff wire or wire coat hanger into a small hook as shown and run the hook through the Burner Tube and inside the Burner several times to remove debris.



- METHOD 2:** Use a bottle brush with a flexible handle and run the brush through the Burner Tube and inside the Burner several times to remove any debris.
- METHOD 3:** Use an air hose to force air through each Burner Tube. The forced air should pass debris or obstructions through the Burner and out the Ports.

**Figure 1**

TO CLEAN BURNER TUBE, INSERT HOOK AS INDICATED BY THE ARROW



Regardless of which Burner cleaning procedure you use, we recommend that you also complete the following cleaning regimens to help prolong Burner life.

- After each use of the main grill or infrared cooking zone it is necessary to burn off food particles and drippings which can clog Burner ports and reduce Burner performance. OPEN the grill Lid, ignite the burner(s) and operate grill on Hi setting for 3 to 5 minutes. You can close the Lid if only main Burners are lit, but NEVER close the Lid over a lit Infrared Burner.
- Use a nylon brush, blower or vacuum to remove accumulated ash from the outer surface of each Burner. Clogged tube style Burner ports can be cleaned with a stiff wire, such as an open paper clip. DO NOT use a stiff brush or sharp tool of any type on the fragile infrared Burner.
- Inspect each Burner for damage (cracks or holes) and if such damage is found, order and install a new Burner. After installation, check to ensure that the Gas Valve Orifices are correctly placed inside the ends of the Burner Tubes. Also check the position of your Spark Electrode.

WARNING

For safe operation, make sure the Orifices are inside the Burner Tubes before using your grill. See figure. If the Orifice is not inside the Burner Tube, lighting the Burner may cause explosion and/or fire resulting in serious bodily injury and/or property damage.

**Tube Burner**

**Infrared Burner**

## Cooking Instructions

### Burn-Off

- Before cooking on your gas grill for the first time, you should "burn off" the grill to eliminate any odor or foreign matter. Ignite the main burners, lower the Lid, and operate grill on HI setting for 3 to 5 minutes. The Lid must be open if the infrared burner is lit.

**CAUTION:** Operating your grill on the HI setting for longer than five minutes may damage certain parts of your grill. **Do not leave your grill unattended when in use.**

### Preheating

- To preheat main burners, light your grill on HI, lower the Lid and follow the recommended times below. To pre-heat the infrared burner the Lid must be open.
- ✓ For high temperature cooking, preheat grill 3 to 5 minutes.
- ✓ For low temperature cooking, preheat grill 3 minutes.
- ✓ To slow cook, preheating is not necessary.

### Cooking Temperatures

- High setting:** The HI Control Knob setting should only be used to pre-heat your grill the first 3-5 minutes and for burning food residue off the grill for 3-5 minutes after cooking is complete. **Never** use the Hi setting for extended cooking.
- Medium to Low Settings:** Most recipes specify medium to low settings, including all smoking and cooking lean cuts such as fish.

### An Important Note About Cooking Temperatures

- The suggested heat settings and cooking times shown in the following pages are approximate. Unlike the controlled environment inside your kitchen, variables including outside temperatures, direction and conditions of wind, as well as grill location will affect your grill's heat distribution. Because these conditions vary, and no two backyards are alike, we offer these tips as general guidelines for your reference. We recommend you monitor your grill closely and rotate foods as needed to prevent overcooking and ensure the most delicious results every time.
- ✓ The infrared cooking area is for quick searing. Once seared, reduce heat and continue cooking or move food to the primary cooking area to finish cooking.
- ✓ The middle and back primary cooking areas offer high heat for grilling.
- ✓ The Secondary Cooking Rack offers medium heat for preparing breads and firm vegetables.
- ✓ The front primary cooking area offers less heat and is ideal for preparing delicate foods and for keeping cooked foods warm.

### Direct Cooking using Main Burners or Infrared Burner

- The direct cooking method can be used with the supplied Cooking Grids and food placed directly over the lit grill Burners. **Direct Cooking requires the Grill Lid to be open.** This method is ideal for searing and grilling when you want an open-flame barbecued taste.

### Indirect Cooking using Main Burners

- The indirect cooking method can also be used with the supplied Cooking Grids. To cook **indirectly**, the food should be placed on the left or right side of your grill with the main Burner lit on the opposite side. Or place your food on the Secondary Cooking Rack and light the outer main Burners. Either way, **indirect cooking must be done with the Lid down.**

### Prepare Cooking Grids for Grilling

- Greasing the cooking surface will help keep foods from sticking during the cookout and reduces the amount of cleanup required. Use a brush to apply a thin layer of cooking oil or vegetable shortening onto each Cooking Grid before each cookout. We do not suggest spray type oils unless they are specified for high-temperature cooking. Be sure to coat the entire cooking surface.

### Flare-Ups

- The fats and juices dripping from grilled food can cause flare-ups which impart a favorably, distinctive taste and color to food. They should be accepted up to a point. To minimize flare-ups:
  - ✓ Trim excess fat from meats and poultry
  - ✓ Preheat the grill properly
  - ✓ Clean grill regularly to remove food and grease build-up
  - ✓ Reposition your food often to avoid flare-ups



## WARNING



- ✓ Failure to comply with these instructions could result in a fire or explosion that could cause serious bodily injury, death or property damage.
- ✓ **Never** cover the cooking grids, Flame Tamers, bottom of grill bowl or Grease Tray with charcoal, aluminum foil, sand or any substance that can absorb grease.
- ✓ **Before each use of your grill:** Pull out the Grease Tray and remove all grease and food debris to prevent grease fire hazard.
- ✓ **Use your grill at least 3 feet away from any wall or surface.** Use your grill at least 3 feet away from combustible objects that can melt or catch fire (such as vinyl, wood siding, fences and overhangs) or sources of ignition (including pilot lights on water heaters and live electrical appliances).
- ✓ **Never** use your gas grill in a garage, porch, shed, breezeway or any other enclosed area.
- ✓ **Never** use your gas grill on a balcony, deck, patio above the ground floor of your home.
- ✓ **Your grill will get very hot.** Always wear a flame retardant BBQ Mitt when cooking on your grill. Never lean over cooking areas while using grill. Do not touch cooking surfaces, Lid, grill housing or other parts while grill is in operation, or until the grill has cooled down after use.

# Guide to Grilling using the Main Burners and Direct Cooking Method

## Grilling Steak and Ribs

Turn the grill Burners on HI, close the Lid and preheat your grill 3 to 5 minutes. Open Lid and place the meat on the Cooking Grid directly above the lit Burners. Cook the meat on both sides until seared. Reduce the heat to MEDIUM and cook meat until done. Grilling times will vary according to meat thickness.

## Grilling Hamburgers and Sausages

Turn the grill Burners on HI, close Lid and preheat your grill 3 to 5 minutes. Open Lid and place the meat on the Cooking Grid directly above the lit Burners. Cook the meat on both sides until seared. Reduce the heat to MEDIUM and cook the meat until done. Grilling times will vary according to meat thickness.

## Grilling Poultry

Turn the grill Burners on HI, close Lid and preheat your grill 2 to 3 minutes. Then raise the Lid, reduce heat to MEDIUM and cook poultry directly over lit Burners until done. Poultry skin is fatty so you should expect some flare-ups when using this direct method.

To minimize flare-ups, try grilling poultry using the indirect method. Place the poultry on one side of the grill with the opposing Burners on MEDIUM heat, and lower the grill Lid. Grilling times will vary based on the size of your poultry.

## Grilling Pork

Turn Burners on HI and preheat your grill 3 to 5 minutes with the Lid closed. Raise Lid, place pork on Cooking Grid and cook until seared. Reduce heat to MEDIUM and cook until done. Grilling times will vary according to meat thickness.

## Whole Fish and Whole Fillets

Preheat your grill on HI for 2-3 minutes with the Lid down. Raise lid and turn Burners to MEDIUM heat. Place fish (skin down) on grill and cook over direct heat until done. Use cooking time as a guide or until fish is opaque but still moist.

## Smaller Fish Fillets and Cubes

Follow the directions from above, using approximate cooking times shown at right. Place a small piece of aluminum foil on the Cooking Grids if the fish pieces are small enough to drop between the Cooking Grids.

## Vegetables and Fruit

Prepare your fruit or vegetables and brush with butter or basting sauce if desired. To cook **indirectly**, the food should be placed on the left or right side of your grill with the Burner lit on the opposite side and the grill lid down. Or center your food on the Secondary Cooking Rack and light the outer grill Burners. Either way, **indirect cooking must be done with the Lid down**.

In some instances, you may want to grill vegetables and fruit **directly** over the heat, using the supplied Cooking Grids. Foods that work best with direct heat are relatively soft and require a short cooking time: mushrooms, zucchini, tomatoes and skewered fruit such as apricots, peaches, pineapple, strawberries and kiwis. Remember the **Grill Lid must remain up when cooking directly**.

## Cut of Meat

T-bone steak  
Sirloin steak  
Beef spare ribs  
Porterhouse steak  
New York strip steak

## Approximate Cooking Times

**Rare:** 4-8 minutes  
**Medium:** 10-14 minutes  
**Well done:** 15-20 minutes

Hamburgers  
Sausages

**Rare:** 4-6 minutes  
**Medium:** 8-10 minutes  
**Well done:** 10-15 minutes

Chicken breast  
(cook with bone down)  
Chicken wings  
Drumsticks

**Direct method:**  
approximately 15 minutes

**Indirect method:**  
up to 30 minutes

Whole bird  
(cook with breast up)

**Indirect method:**  
approximately 1 hour

Chops  
Loins  
Cutlets

**Medium:** 10-14 minutes  
**Well done:** 15-20 minutes

Whole fish  
Whole fish fillets

10-12 minutes per pound or  
until fish is opaque

Fish fillets  
Boneless cubes

4-5 minutes each side  
or until fish is opaque

For very firm vegetables, particularly potatoes and yams, we recommend that you partially boil until almost cooked, before placing them on the grill. Cooking times using the **indirect method** with the lid down will be similar to those for your kitchen oven. However, there are many factors such as outside temperature, wind conditions and location of grill that affect your grill performance so we suggest you watch the temperature gauge and adjust the heat accordingly.

Cooking times for foods prepared with the **direct method** will be much shorter because of the direct heat source. Timing will be comparable to normal pan frying or grilling.

# Guide to Searing using the Infrared Cooking Zone

## Important notes about using the Infrared Burner

Whether you are a seasoned chef or a newcomer to gas grilling, infrared cooking is quite different than grilling over a traditional burner. Although the primary grill burners will also sear meat, the Infrared Burner produces a more intense and concentrated heat that sears the meat more quickly. This quick searing produces a crisp and flavorful outer crust and locks in the meat's natural flavor and juices.

Follow the cooking guidelines provided. Then take some time to experiment with your Infrared cooking zone. Also, read the Cooking Instructions on page A-1 so you understand the importance of pre-heating, cooking temperatures and safety warnings.

- The Lid must always be open when the Infrared Burner is lit.
- Infrared cooking times will be much shorter than traditional grilling so do not leave the grill unattended.

## Searing Steak and Ribs

Turn the Infrared Burner on HI and preheat for 3 to 5 minutes with the Lid open. Then place the meat on the Cooking Grid and sear each side for approximately 2 minutes. Reduce the Infrared Burner to LOW or move meat to the primary grilling area and finish cooking. Grilling times will vary according to meat thickness.

## Searing Hamburgers and Sausages

Turn the Infrared Burner on HI and preheat for 3 to 5 minutes with the Lid open. Then place the meat on the Cooking Grid and sear each side for approximately 2 minutes. Reduce the Infrared Burner to LOW or move food to the primary grilling area and finish cooking. Grilling times will vary according to meat thickness.

Hamburgers and sausages are fatty so you should expect some flare-ups when cooking these foods. To minimize flare-ups follow the instructions on page A-1. You may also consider grilling these and other fatty foods using the primary grill area and the indirect cooking method.

- Once lit, leave the Infrared Burner on High and sear both sides of meat using the guidelines below.
- Once seared, adjust the Infrared Burner to Low and continue cooking until desired doneness. You can also move the seared meat to the primary grilling area to finish cooking. This method allows you to sear and prepare larger amounts of meat.
- NEVER attempt to douse a flare-up with water which can damage the Burner. To control flare-ups:
  - Trim excess fat from meats and poultry.
  - Preheat the Burner properly.
  - Clean the Burner regularly to remove food and grease build-up. See Burner Tube cleaning instructions in this manual.
  - Reposition your food often and consider moving the seared meat to the primary grilling area to finish cooking.

### Cut of Meat

T-bone steak  
 Sirloin steak  
 Beef spare ribs  
 Porterhouse steak  
 New York strip steak

### Approximate Total Cooking Time

**Rare:** 4 minutes  
**Medium:** 6-7 minutes  
**Well done:** 8-10 minutes

Hamburgers  
 Sausages

**Rare:** 4 minutes  
**Medium:** 5 minutes  
**Well done:** 6-7 minutes

Safe Minimum Internal Temperatures	
Fish	145°F/63°C
Pork	160°F/71°C
Egg Dishes	160°F/71°C
Steaks and Roasts of Beef, Veal or Lamb	145°F/63°C
Ground Beef, Veal or Lamb	160°F/71°C
Whole Poultry (Turkey, Chicken, Duck, etc.)	165°F/74°C
Ground or Pieces Poultry (Chicken Breast, etc.)	165°F/74°C

# Guide to Roasting and Baking Using the Main Burners

## An Important Note About Heat Settings

The suggested heat settings shown are approximate. There are many factors such as outside temperature, wind conditions and grill location that affect your grill performance. We offer these cooking times as general guidelines, but suggest you watch the temperature gauge and adjust the heat accordingly.

## Preparing to Roast

Roasting uses the **indirect cooking** method. Therefore, the food should be placed on the left or right side of your grill with the Burner lit on the opposite side. You can also use the supplied Cooking Grid with an aluminum drip pan underneath allowing you to collect juices for making gravies. Remember, indirect cooking requires the Lid of your grill to be down.

Preheating your grill is not required for slow cooking methods such as roasting. If you do choose to preheat your grill before roasting, turn the Burners on HI and close Lid for approximately 2-3 minutes.

## Food preparation

Trim meat of excess fat. Truss meat and poultry with cooking string to retain shape if desired. Bacon strips can be used to cover the outside surface of lean meat and poultry to help prevent it from drying out. Another method for keeping food moist during roasting is to put water in a cooking pan, then cover with foil. The foil should be removed for the first or the last part of the cooking time to ensure proper browning.

## Tips for roasting

Except when roasting with water in a roasting pan, the juices that collect in the pan can be used as the base for a tasty sauce or gravy. Place a cooking pan directly over the heat, add extra butter if needed, then add several spoonfuls of flour to thicken sauce. Finally, add sufficient chicken or beef stock to obtain the desired consistency.

Once the meat is cooked, remove it from your grill and cover with a piece of foil. Allow it to stand for 10-15 minutes which allows the juices to settle. This will make carving easier and ensure a tender, juicy roast.

Type of Food	How Cooked	Approximate Cooking Times
Beef	Rare	18 minutes per pound
	Medium	23 minutes per pound
	Well done	27 minutes per pound
Lamb	Medium	18 minutes per pound
	Well done	23 minutes per pound
Veal		27 minutes per pound
Pork		30-33 minutes per pound
Chicken		20-25 minutes per pound
Duck		25 minutes per pound
Fish		10 minutes per pound
Turkey, under 16 pounds		20-25 per pound + 30 minutes
Turkey, over 16 pounds		18-23 per pound + 15 minutes

## BAKING TECHNIQUES

From casseroles and cornbread to delicious desserts like fondue fruit skewers or crumb cake, baking on the grill is as easy as baking in the kitchen.

## Preparing to Bake

To bake in your new grill you'll need a baking dish or cast-iron cooking pan, and a pair of flame retardant BBQ Mitts. If the cooking pan is cast-iron be sure to season the pan before use.

Preheat your grill 3-5 minutes, then lower heat to achieve the baking temperature desired. Baking uses the **indirect cooking** method. Therefore, your cooking pan should be placed on the left or right side of your grill with the burner lit on the opposite side.

## Oven Temperature

Slow	300° - 340° F
Moderate	355° - 390° F
High	410° - 480° F

## Tips for Baking

Prepare your favorite recipe as you would in the kitchen. Foods cooked in the grill for long periods of time should always be covered in aluminum foil to retain moisture. You will need to stir the food several times as it bakes, and add additional liquid if required.

Watch the temperature, and adjust to cook according to your recipe directions.

## Recommended Grill Setting

Both outside Burners on LOW
1 outside Burner on Hi and 1 outside Burner on LOW
Both outside Burners on Hi

**Warning: Do not use the infrared burner when indirect cooking (roasting and baking) or anytime when the grill lid is down.**

## Guide to Rotisserie Cooking

### Slow Cooking with a Rotisserie

Rotisserie cooking produces foods that are moist, flavorful and attractive. The rotisserie system is most commonly used for cooking meat or poultry and is designed to cook food slowly.

The cooking times on a rotisserie will be approximately the same as for oven cooking.

### Balancing the Food

In rotisserie cooking, balancing the food is of utmost importance. The rotisserie must turn evenly or the stopping and starting action will cause the food to cook unevenly and possibly burn the heavier side.

The easiest foods to balance are those of uniform shape and texture. To test if the food is balanced correctly when secured, place the ends of the rotisserie spit loosely in the palms of your hands. If there is no tendency to roll, give the spit a quarter turn. If it is still stable, give it a final quarter turn. It should rest without turning in each of these positions. It can then be attached to your grill.

### Food Preparation

When preparing poultry, truss the birds tightly so that wings and drumsticks are close to the body of the bird. The cavity of the bird may be stuffed prior to this. Pull the neck skin down and, using a small skewer, fix it to the back of the bird. Push the rotisserie spit through lengthwise, catching the bird in the fork of the wishbone. Center the bird and tighten with the holding forks. Test the balance as described before.

A rolled piece of meat requires the rotisserie skewer to be inserted through the center of the length of meat, then secured and balanced.

For meats that contain bones, it is best to secure the rotisserie skewer diagonally through the meaty sections. If protruding bones or wings brown too quickly, cover with pieces of foil.

## Guide to Smoking

### Preparing to Smoke

Smoking gives food a distinctive, delicious flavor. You will find a variety of wood chips available for use in smoking grilled foods. Pre-soaking of wood chips may be required so read and follow the manufacturer's instructions for preparing smoking chips prior to use.

**Note:** It is our experience that many smoking chip products do not actually produce a smoke but instead infuses the food with flavor. Please read product labels carefully and if in doubt, ask your retailer for details.

### Using A Smoker Box

There are many optional smoker boxes available for purchase. Follow these guidelines and always refer to the label of your smoking chips for specific directions.

Raise your Grill Lid and light the grill. Lower the Grill Lid allowing your grill to reach the desired cooking temperature for the food you are grilling. Fill your smoker box with your prepared smoking chips. Dried herbs and spices may also be added to produce different flavors. Wear a flame retardant BBQ Mitt and place your smoker box on a Cooking Grid or Flame Tamer directly above a lit grill Burner. The heated smoking chips will flavor your foods.

### Tips for Smoking

You can reduce the strength of the smoke flavor by only smoking for half or three quarters of the cooking time. The heat required for smoking is normally LOW to MEDIUM.

Foods naturally high in oils lend themselves well to smoking, while drier foods benefit from a marinade.

- **Tuna steaks**, marinated in Asian flavors of sesame oil, soy sauce and sherry.
- **Pork filets**, rubbed with ginger, orange rind and brushed with maple syrup.
- **Mussels**, brushed with lemon rind and chili oil.
- **Lamb cutlets**, marinated in virgin olive oil, lemon, oregano and black pepper. The same marinade can be used for a whole leg or rack of lamb.
- **Chicken**, boneless chicken pieces—especially sliced breasts.
- **Fish**, sliced filets of firm fish, assorted seafood such as prawns, scallops and calamari.
- **Pork**, sliced filets, diced or minced pork, sliced leg steak, sliced chops.
- **Beef**, sliced fillet, rib-eye, round, rump, sirloin.
- **Lamb**, sliced fillet, round, loin.

## Guide to Using the Secondary Cooking Rack

Vegetables are generally easy to cook on the grill. The Secondary Cooking Rack makes it convenient because you can still use the main cooking area while the vegetables are suspended above the grids.

Pre-cook hard vegetables by briefly boiling or microwaving them before cooking on the grill. Wrap vegetables in a double thickness of foil to protect them while cooking on the grill. Then, remove the foil if desired, 10-15 minutes before the end of cooking, brush vegetables with butter or oil and finish cooking.

The Secondary Cooking Rack can be used for purposes other than just the obvious. Consider using the rack for warming French bread, garlic bread, croissants or even bagels.

A small whole fish wrapped in foil also cooks well on the Secondary Cooking Rack. Parcels of seafood such as scallops, prawns and sliced fish filets prepared in a sauce and portioned into small foil wraps cook well this way, too.

**Question:**

**Can I convert my grill from one fuel type to another in other words from LPG to NG or vice versa?**

**Answer:**

No, your gas grill is manufactured to exact specifications and is certified for LPG (Liquid Propane Gas) or NG (Natural Gas) use only. For your safety, conversion kits are not available, nor will we sell or otherwise provide parts or information to be used to convert your grill. Any attempt to convert your grill is dangerous and will void your warranty.

**Question:**

**Are the serial and model numbers of my grill listed somewhere for reference?**

**Answer:**

The serial and model numbers are listed on a silver CSA label placed on the grill. This label is located on the Rotisserie Burner Wind Shield.

**Question:**

**My grill will not light properly. Why?**

**Answer:**


Always light the Main Burner farthest from the fuel source first. This will draw gas across the manifold helping prevent air pockets which obstruct gas-flow and prevent proper grill lighting. Also try this procedure:

1. Turn gas off at source and turn Control Knobs OFF. Wait at least 5 minutes for gas to clear, then retry.
2. If your grill still fails to light, turn the Burner Control Knob(s) and gas source OFF and conduct a leak test of ALL gas connections and gas sources as explained in the Use and Care section of this manual.
3. If no leaks are detected, wait 5 minutes for any gas to clear and repeat the lighting procedure.

**Question:**

**If my ignitor or battery is not working how can I light my grill manually? And - Why would I need the silver lighting stick that hangs from the side of my grill?**

**Answer:**

If your ignition fails to work or your battery needs replacing, you can manually light your grill by paper match. Insert a paper match into the silver Lighting Stick and follow the Manual Grill Lighting Instructions. Next, light the match and place the Lighting Stick through a Cooking Grid or Lighting Tube (if the unit is equipped with one). Turn the nearest Control Knob to the  setting to release gas. The Burner should light immediately.



**WARNING**



**Never** lean over the grill cooking area while lighting your gas grill. Keep your face and body a safe distance (at least 18 inches) from the front of grill when lighting your grill by match.

**Question:**

**Sometimes I hear a humming sound coming from my regulator. What causes this? And - My grill has a low flame and sometimes will not light. Why?**

**Answer:**

The humming sound is gas flowing through the regulator. A low volume of sound is normal and will not interfere with the operation of your grill. Loud or excessive regulator humming and/or low flow and intermittent lighting may be caused by the regulator's excess gas flow device. Opening the tank valve all the way or too quickly is what triggers the regulator's safety device to restrict gas flow, preventing excess gas flow to your grill. Lighting the main Burner farthest from the fuel source every time will help eliminate air pockets in the manifold. Note: This procedure should be done every time a new LP Gas tank is connected to your grill.

- Turn all Control Knobs to the OFF position.
- Turn off the LP Gas tank at the tank valve. For Natural Gas close Shut Off Valve.
- Disconnect regulator from LP Gas tank. For Natural Gas disconnect regulator from 12 ft. Natural Gas Hose.
- Let unit stand for 5 minutes.
- Reconnect regulator to the LP Gas tank. For Natural Gas reconnect regulator to 12 ft. Natural Gas Hose.
- Open grill Lid.
- Turn the tank valve slowly ¼ of one turn. For Natural Gas open Shut Off valve.
- Light main Burner farthest from fuel source.
- Turn the tank valve slowly one more ¼ of one turn for ½ of one complete turn.
- Continue to light Burners moving towards the fuel source.
- Do not turn tank valve more than ½ of one turn on LPG models.

**Question:**

**Where do I use my grill for safer operation and better performance?**

**Answer:**

- Strong winds and low temperatures can affect the heating and performance of your gas grill so factor in these elements when positioning your grill outdoors for cooking.
- In **windy conditions**, always position the front of grill to face oncoming wind to reduce smoke and heat blowing in your face and prevent potential hazards to yourself and grill.
- Use your grill at least 3 feet away from any wall or surface.
- Use your grill at least 3 feet away from combustible objects that can melt or catch fire (such as vinyl, wood siding, fences and overhangs) or sources of ignition (including pilot lights on water heaters and live electrical appliances).
- Never** use your gas grill in a garage, porch, shed, breezeway or any other enclosed area.
- Never** use your gas grill on a balcony, deck, or patio above the ground floor of your home.
- Never** obstruct the flow of ventilation air around your gas grill housing.

**Question:**

**The Regulator and Hose supplied with my gas grill does not fit the older LP Gas tank I've used for years. Why not?**

**Answer:**

The U.S. Government regulates gas appliances and LP Gas tanks. When regulations are changed the LP Gas tank fittings are altered to insure compliance. If your LP Gas tank does not fit the Regulator and Hose supplied with your new grill, the tank is outdated and must be replaced. Note: Effective April 1, 2002 all LP Gas tanks sold must include an "OPD" Overfill Prevention Device. The OPD tanks are identified by their triangular-shaped valve wheel. This internal device prevents the LP Gas tank from being overfilled. Tanks without an OPD valve can not be refilled.

**Question:**

**What causes grill parts to rust and what effect does it have on my grill?**

**Answer:**

Rusting is a natural oxidation process and will not affect the short term performance of your grill.

To slow the rusting process on Cooking Grids, we recommend greasing the grids before and after each cookout. Use a brush to apply a thin layer of cooking oil or vegetable shortening onto each grid. We do not suggest spray type oils unless they are specified for high-temperature cooking. If your Cooking Grids are Porcelain coated, be sure to coat the entire cooking surface including edges and any areas with chipped porcelain.

Routine care and maintenance is required to preserve the appearance and corrosion resistance of stainless steel. The fact is stainless steel can corrode, rust and discolor under certain conditions. Rust is caused when regular steel particles in the atmosphere become attached to the stainless steel surface. Steel particles can also become attached to your grill if you use steel wool or stiff wire brushes to clean the grill instead of non-abrasive cloth, sponge or nylon cleaning tools. In coastal areas rust pits can develop on stainless surfaces that cannot be fully removed. Bleach and other chlorine based solutions used for household and pool cleaning can also cause corrosion to stainless steel.

Weathering, extreme heat, smoke from cooking and machine oils used in the manufacturing process of stainless steel can cause stainless steel to turn tan in color. Although there are many factors which can affect the surface appearance of stainless steel, they do not affect the integrity of the steel or the performance of the grill. To help maintain the finish of stainless steel follow these cleaning procedures for the best results:

After every use (after your grill has cooled down), wipe stainless surfaces with a soft, soapy cloth or sponge then rinse with water. Be sure to remove all food particles, sauces or marinades from stainless steel because these can be highly acidic and damaging to stainless surfaces.

Never use abrasive cleaners, scrubbers or stiff wire brushes of any type on your grill. Use a heat resistant Stainless Steel Cleaner and rub or wipe in the direction of the stainless steel grain or polish lines. Do not polish against the grain.

You may also review FAQ's, Troubleshooting and Care & Maintenance Tips online at [www.grandhall.com](http://www.grandhall.com).

## Grand Home Holdings dba Barbeques Galore Limited Lifetime Warranty

Barbeques Galore will warrant to the ORIGINAL PURCHASER of this gas grill that it will be free of defects in material and workmanship for set periods below from the date of purchase when used under normal outdoor use and correct assembly.

- **Burners, Cooking Grids (when applicable) - 5 year Limited Warranty (No rust or burn through)**
- **Flame Tamers, Electrical Components, Ignition Systems, Valves, and Plastic Components - 2 year Limited Warranty**
- **All other stainless steel parts - Limited Lifetime Warranty**

Barbeques Galore will require reasonable proof of your date of purchase. Therefore, you should send in the owner registration card and save your receipt in case it is required as proof of purchase.

This Limited warranty is limited to replacement of parts at Barbeque Galore's option that proved to be defective under normal use and service. You will be charged for shipping and handling of the replacement parts.

Barbeques Galore may require the return of defective parts for examination before issuing replacement parts. If you are required to return defective parts, shipping charges must be prepaid by the customer.

Upon examination and to Barbeque Galore's determination, if the original part is proven defective, Barbeque's Galore may approve your claim and elect to replace such parts without charge. In any instance, customer is responsible for shipping and handling of the replacement parts.

This Warranty does not cover any failures or operating difficulties due to accidents, abuse, misuse, alteration, misapplication, vandalism, improper installation, maintenance or service, damages caused by flashback fire or grease fires, as set out in the Operator's Manual.

This warranty does not cover scratches, dents, corrosion or discoloration caused by weather, heat, abrasive and chemical cleaners, pool or spa chemicals, and/or any tools used in the assembly or installation of this unit. This warranty does not cover paint loss, surface rust, corrosion or stainless steel discoloration which is considered normal wear and tear. This warranty does not cover the cost of any inconvenience, personal injury or property damage due to improper use or product failure.

Deterioration or damage due to severe weather conditions such as hail, hurricanes, earthquakes, tsunamis, tornadoes, terrorism, discoloration due to exposure to chemicals either directly or in the atmosphere, Acts of God/Forces of Nature are not covered by this Limited Warranty.

No part returns will be accepted without prior authorization from Grand Home Holdings dba Barbeques Galore. **Authorization for parts and/or the return of parts may be requested by calling 1-877-934-7455, 8am-4:30pm CST, Monday-Friday.**

**For technical troubleshooting and/or service inquiries, please call 1-800-752-3085, 8am-4:30pm CST, Monday-Friday.**

### Warranty Restrictions

- This warranty gives you specific legal rights, and you may also have other rights which vary from state to state.
- This product is certified for safe use only in the country where purchased; Modification for use in any other location is a safety hazard and immediately voids the warranty.
- This warranty is void if the product is used for commercial or rental purposes.
- This warranty is non-transferable.

Manufacturer:

**Grand Hall Enterprise Co., Ltd.**

9th Fl., No. 298, Rueiguang Rd., Neihu,  
Taipei, Taiwan (114)