

This Owner's Manual is provided and hosted by [Appliance Factory Parts](#).



Broil King 9211-54 Owner's Manual

[Shop genuine replacement parts for Broil King 9211-54](#)



[Find Your Broil King Grill Parts - Select From 1350 Models](#)

----- Manual continues below part list -----

Available Replacement Parts for Broil King 9211-54

18013	LARGE PROBE HEAT INDICATOR
10081-BK630	NAMEPLATE HI BROIL KING BLACK ZINC
S21124	SCREW PHCP #8 X 12 +
10390-E10	BURNER SIDE 10BTU W/ELEC #8 +
Y-12220	S/B BUSHING SB 1.375 16 HEY
10342-E400A	COLLECTOR BOX ASSEMBLY
Y-12223	MAGNET SNAP IN - DOOR
Y-12222	MAGNET - DOOR
23000-253	SIDE BURNER LID IR SS
23000-271	SIDE BURNER BODY BASE
10342-E13	ELECTRODE W/WIRE
10240-20	DOOR PIN TOP
10240-19	DOOR PIN BOTTOM
5S672	grid, ss wire, 17.375 x 26.25; Grill Mas
66024	grid, ci, 17.375 x 25.5; Huntington
96021	HEAT PLATE PORCELAIN STEEL
00475	heat indicator
18431	OEM FLAV R WAVE - BARON
20005-000	HARDWARE BAG STICK & CHAIN SS
10892-23	CASTER RUBBER 3 INCH W/PLATE
21106-13	HANDLE +
54009-936	HANDLE BEZEL - CHROME
SP11-25	STOP BUMPER - SILICONE
33200	get jet Orifice Drilled to #57
10811	BURNER, PIPE, SS, 16.5 X 1
80012	regulator and hose READ ADD. INFO
04831	ELECTRODE WITH WIRE
10342-T21	ELECTRODE WIRE S/B 35 INCH
10892-285	CASTER 3 INCH RUBBER W/LEG LEVEL
22001-164	BEZEL SS FLAT SML + 250/500/625/750 A

22002-264	BEZEL SS FLAT LRG + 250/500/625/750 A
24004-12A	LID HANDLE BENT 330 430SS
51039-951	CASTER BRACKET BLACK 330/440/550
51174-134A	DOOR ASSEMBLY 330 LHS SS
52004-991	WARMING RACK 330 PORC
11241	BARON CAST IRON GRID
52023-124BAR	CONTROL COVER 330 3V CAB
23009-951	SIDE BURNER GRID BLK 330/440/550
56144-211	LID END CAP 440 RHS BLACK
56144-231	LID END CAP 440 LHS BLACK
57154-901	GREASE TRY 340/401 0.8MM BLK HI HEAT PNT
59004-014	VALVE ASSY 330 3V LP
59004-017	VALVE ASSEMBLY 3V NG
59004-034	VALVE ASSEMBLY 3V+SB LP
59004-037	VALVE ASSEMBLY 3V+SB NG
Y-11981	BOLT CARRIAGE 1/4-20 x 1 UNC
10342-42	IGNITOR ELECTRONIC DOUBLE IMPERIAL
10342-43	IGNITOR ELECTRONIC TRIPLE IMPERIAL
25070-92	WIRING HARNESS +
25070-93	IGNITOR BUTTON & WIRE IR SS +
51334-211	TOP MAGNET BRACKET 330 BLACK
18631	OEM BURNER - BARON
52044-92	FIREBOX 330 HEAT SHIELD REAR
53139-988	BRACKET SHELF SUPPORT
53150-614	SHELF ASSY BARON RHS SS
53150-654	SHELF ASSEMBLY BARON LHS SS
17000	CONTROL KNOB - SMALL BLACK
17010	CONTROL KNOB RESIN LRG BLACK
10111-K45	HOSE 3/8 INCH ASSEMBLY NG 10 FOOT +
21009-951	TANK COLLAR CLAMP 625/750 BLK PULL OUT
52009-901	GREASE PAN - BLACK HIGH HEAT PAINT
57139-13	BRACKET U-CHANNEL REAR 330/440/550
10111-15A	HOSE ASSEMBLY SS

51639-908	CASTER BRACKET RESIN BLK AB
27249-904	GREASE SHIELD MODULAR, 6.5 x 6

Broil King®

ASSEMBLY MANUAL & PARTS LIST • MANUEL DE MONTAGE & LISTE DE PIÈCES • MANUAL DE ARMADO Y LISTA DE PARTES



Broil King

9211-54
9211-57
9211-64
9211-67



Broil King

9215-54
9215-57
9215-64
9215-67

RETAIN FOR FUTURE REFERENCE • VEUILLEZ CONSERVER POUR REFERENCE ULTERIEURE • CONSERVER PARA FUTURAS CONSULTAS

ASSEMBLY VIDEO

VIDÉO MONTRANT
L'ASSEMBLAGE

VIDEO DE
ENSAMBLAJE



BROILKINGBBQ.COM

Onward
MANUFACTURING COMPANY
SINCE 1906
1000 EAST MARKET STREET
HUNTINGTON, INDIANA, 46750, USA

1-800-265-2150
info@omcbbq.com

50084-S35 Rev D 01/15



HARDWARE INCLUDED / MATERIAL INCLUS / EQUIPOS INCLUIDO



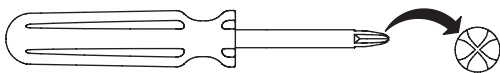
Y-12865		X22	S21125		X8
Y-11562		X4			
Y-29310		X4	Y-12310		X2
S21255		X2	Y-12857		X2
Y-11795		X2	Y-12127		X1
S35094		X1	S21235		X2
			S21233		X2



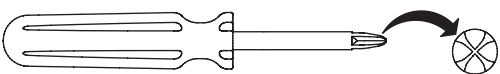
TOOLS REQUIRED / OUTILS NECESSAIRES / HERRAMIENTAS NECESARIAS



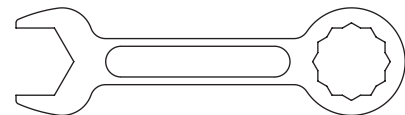
#3 PHILLIPS



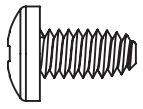
#2 PHILLIPS

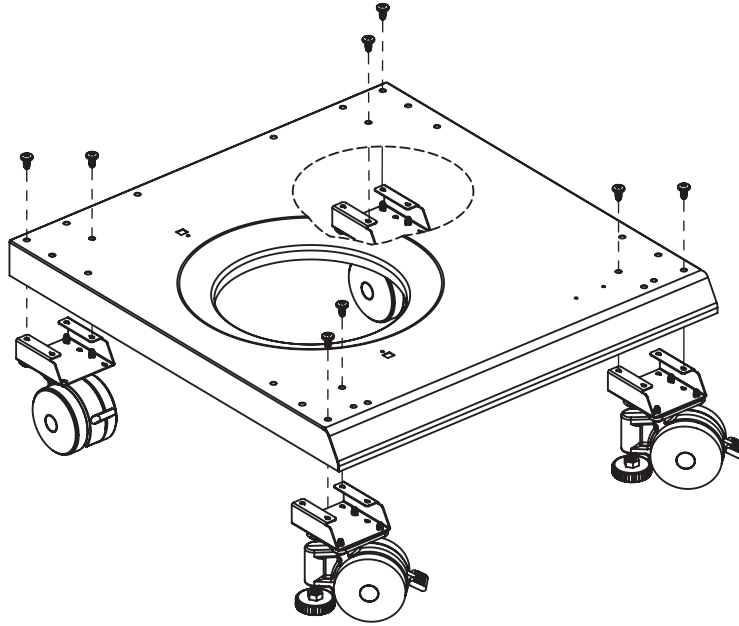


7/16"

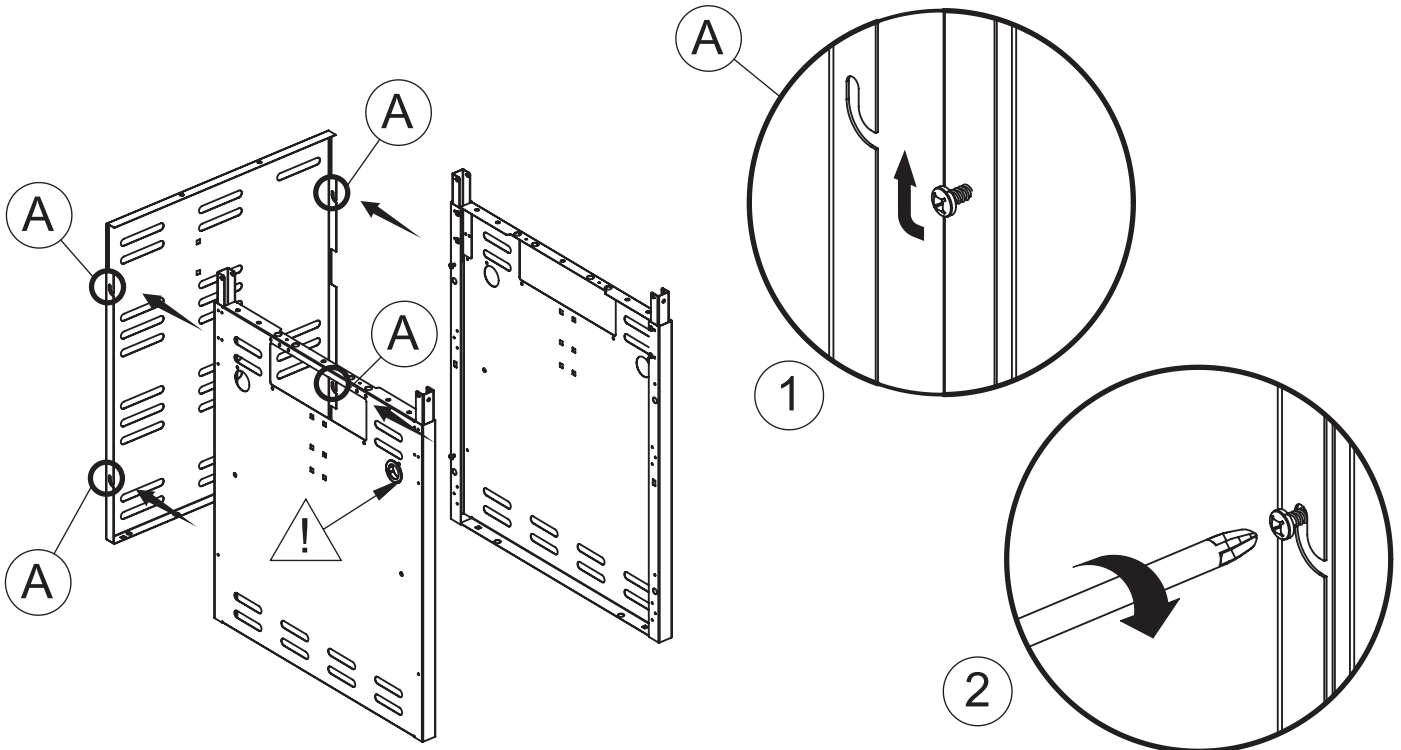


1

(8) 

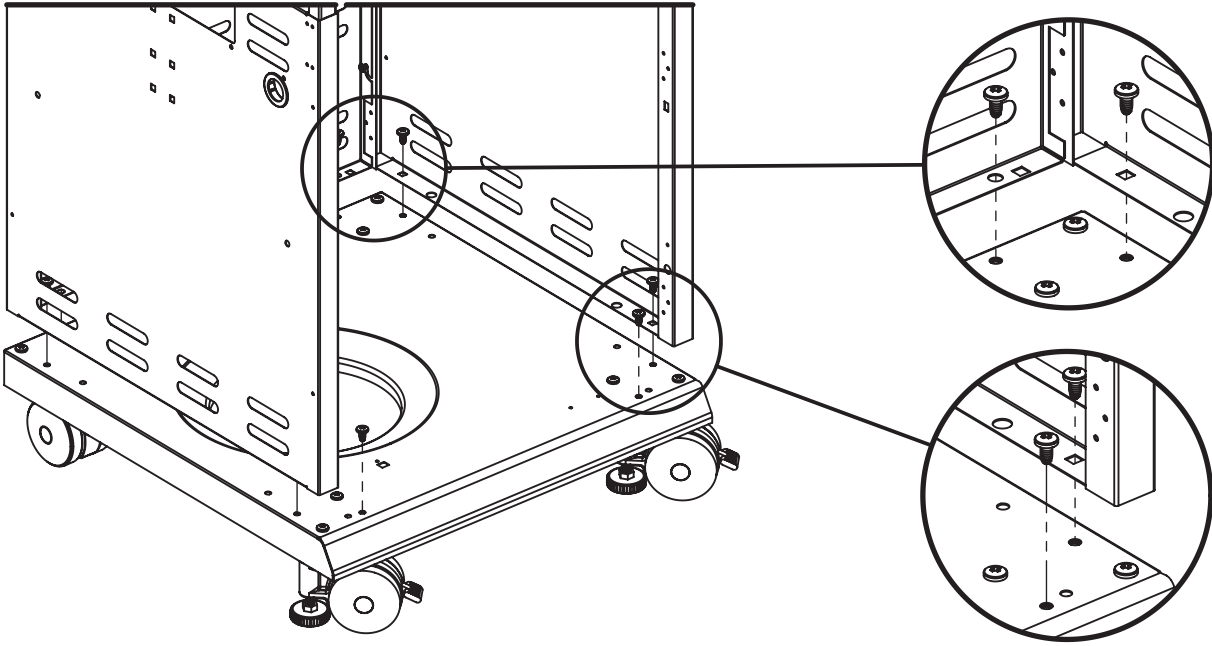
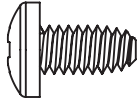


2



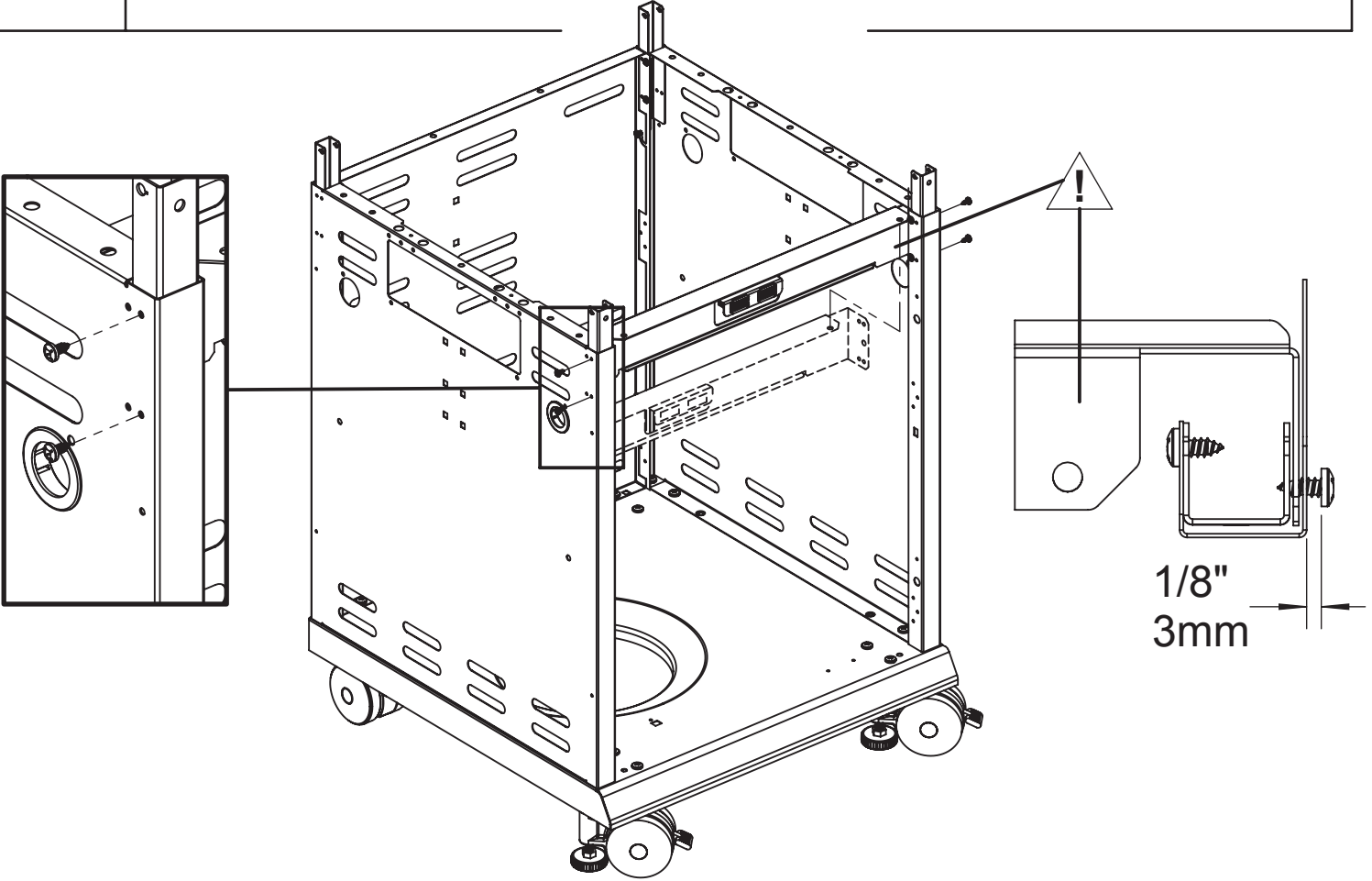
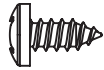
3

(8)




4

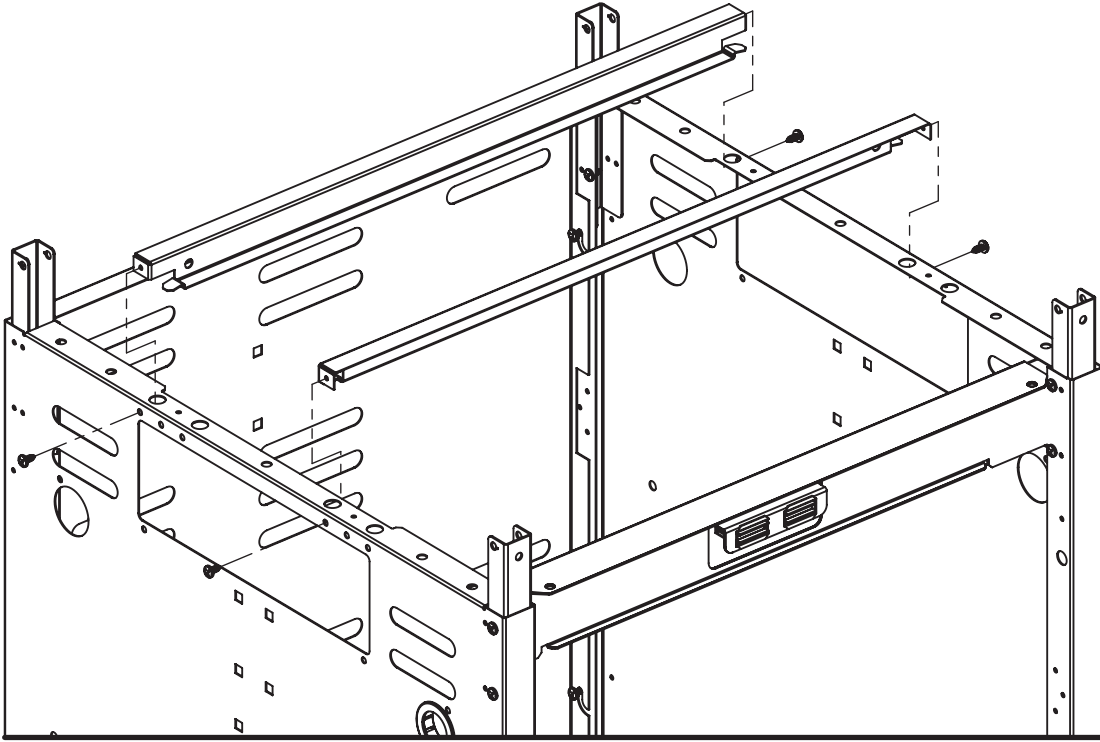
(4)



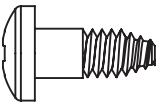
1/8"
3mm

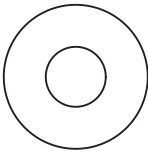
5

(4) 

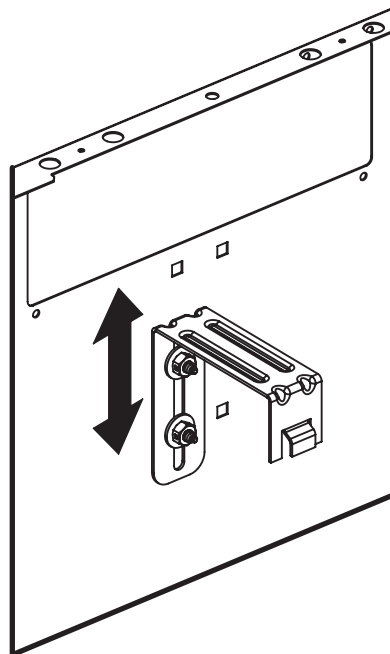
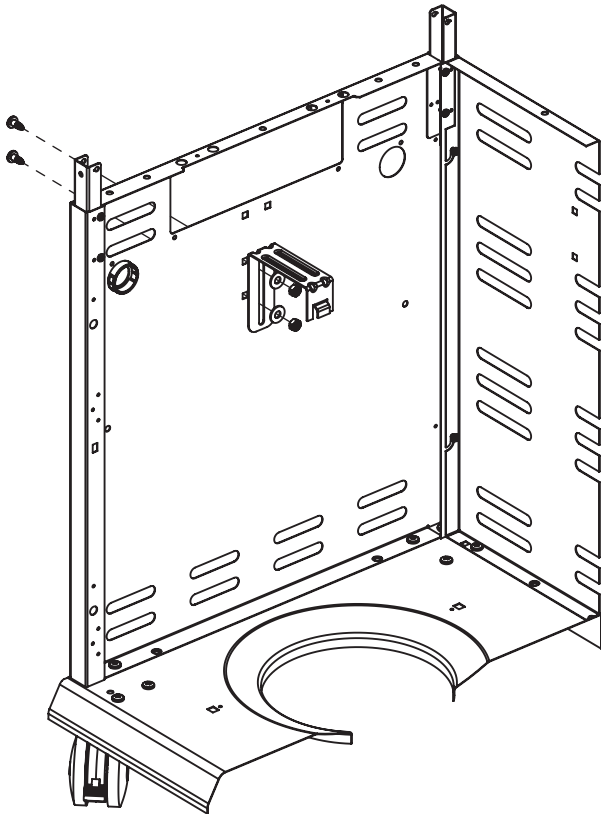


6

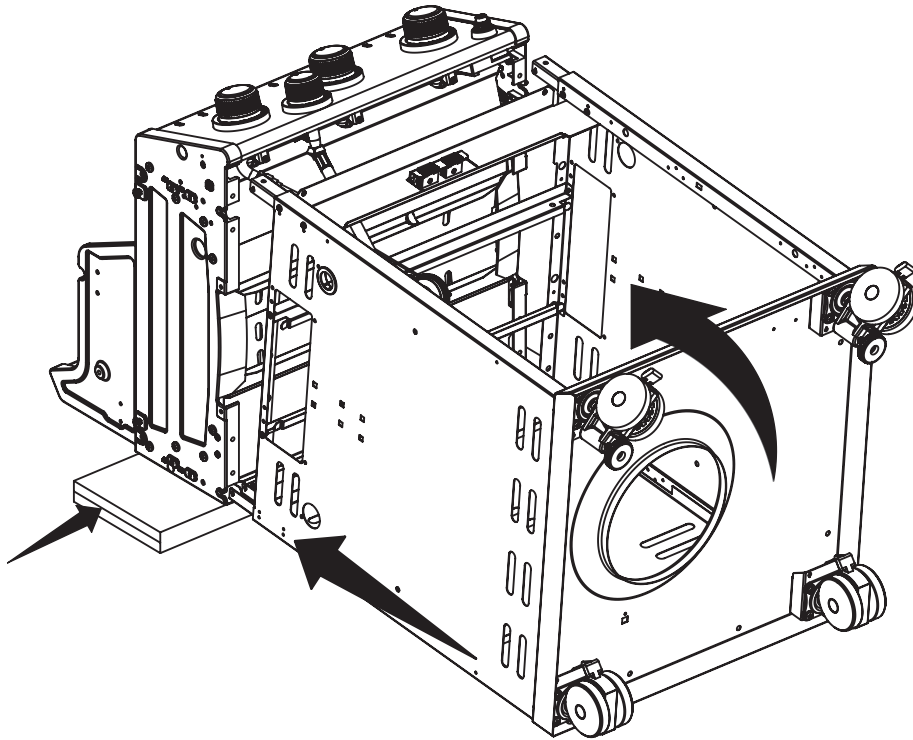
(2) 

(2) 

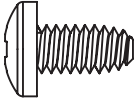
(2) 

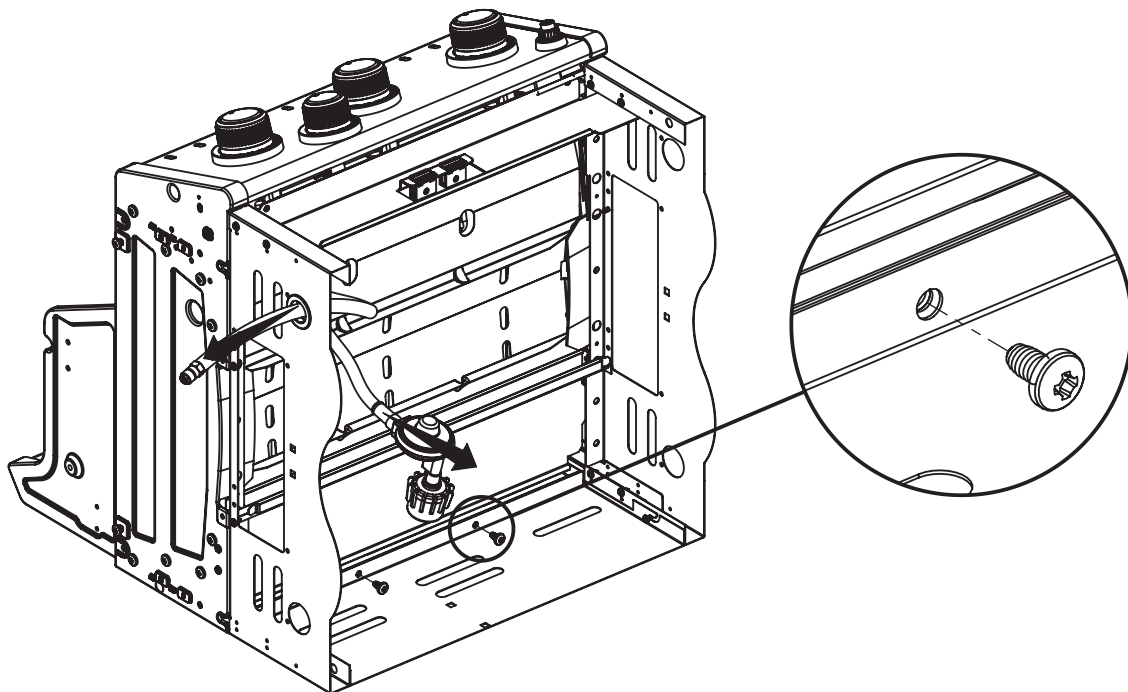


7

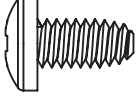


8

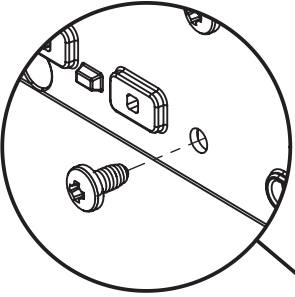
(2) 



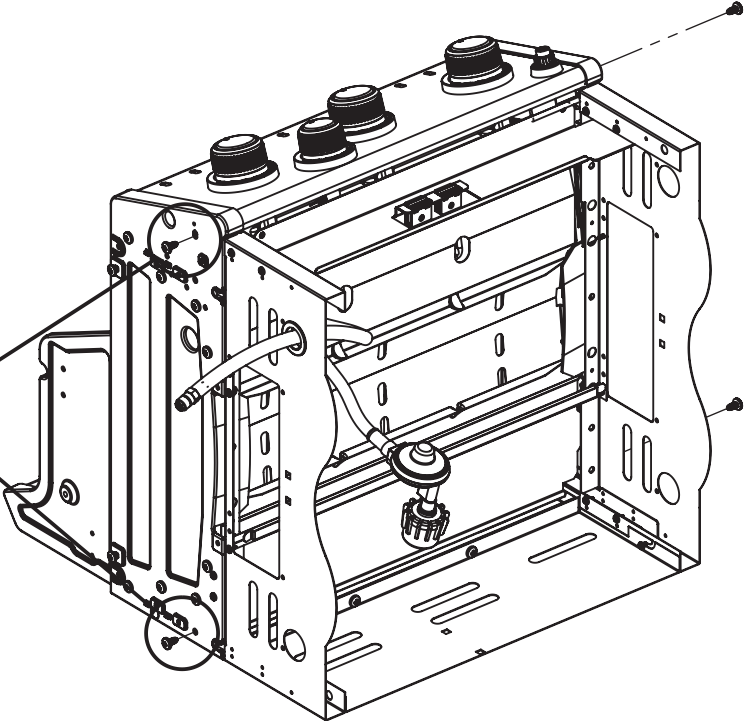
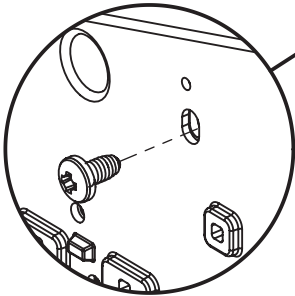
9

(4) 

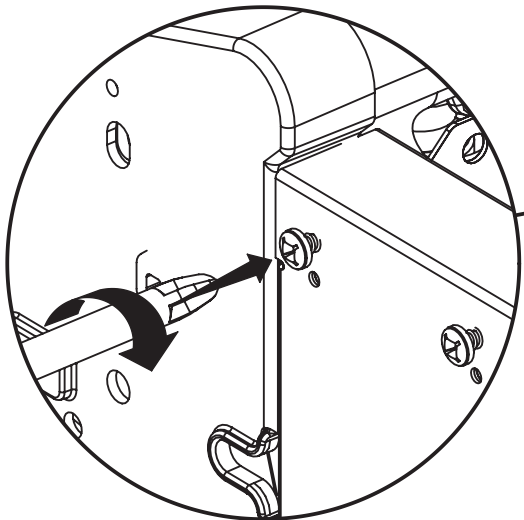
1



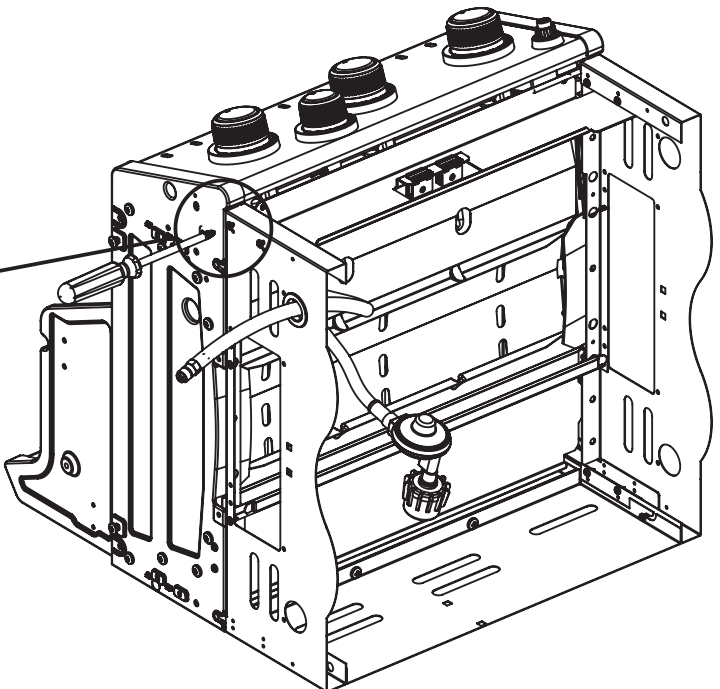
2



10

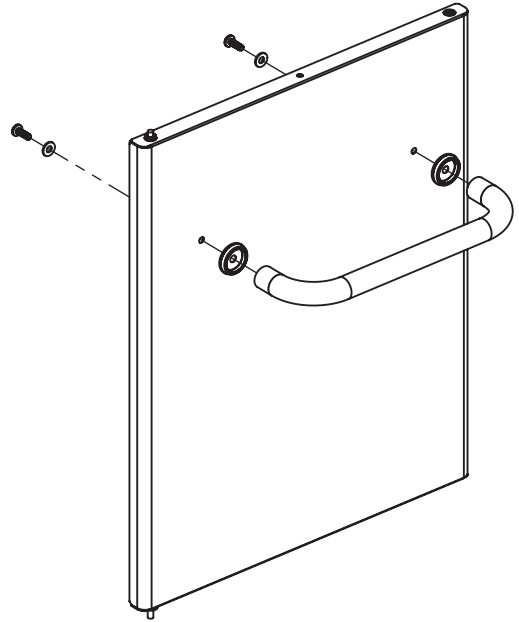
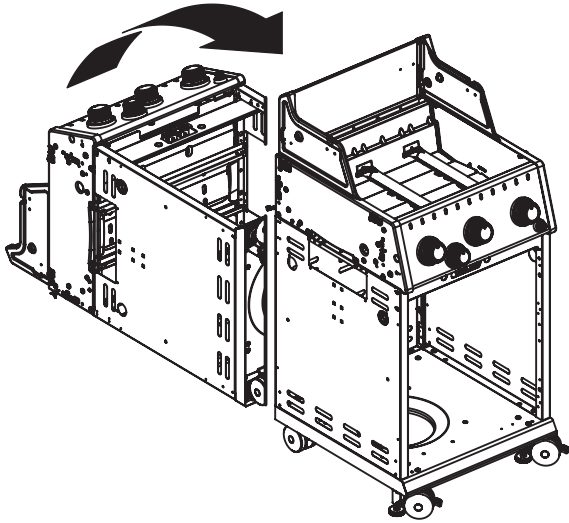
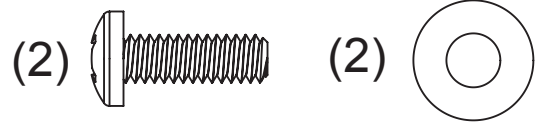


(x4)



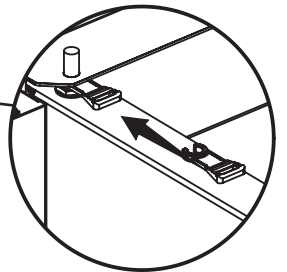
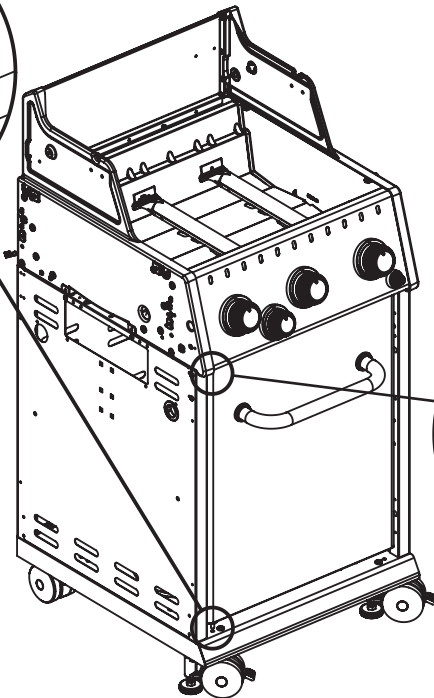
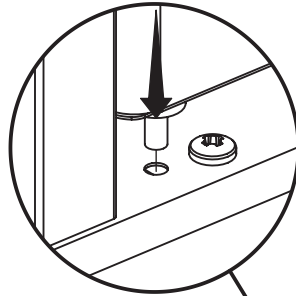
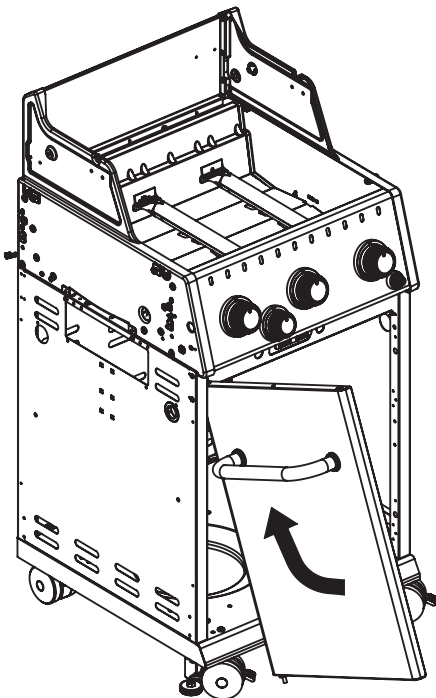
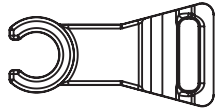
11

12

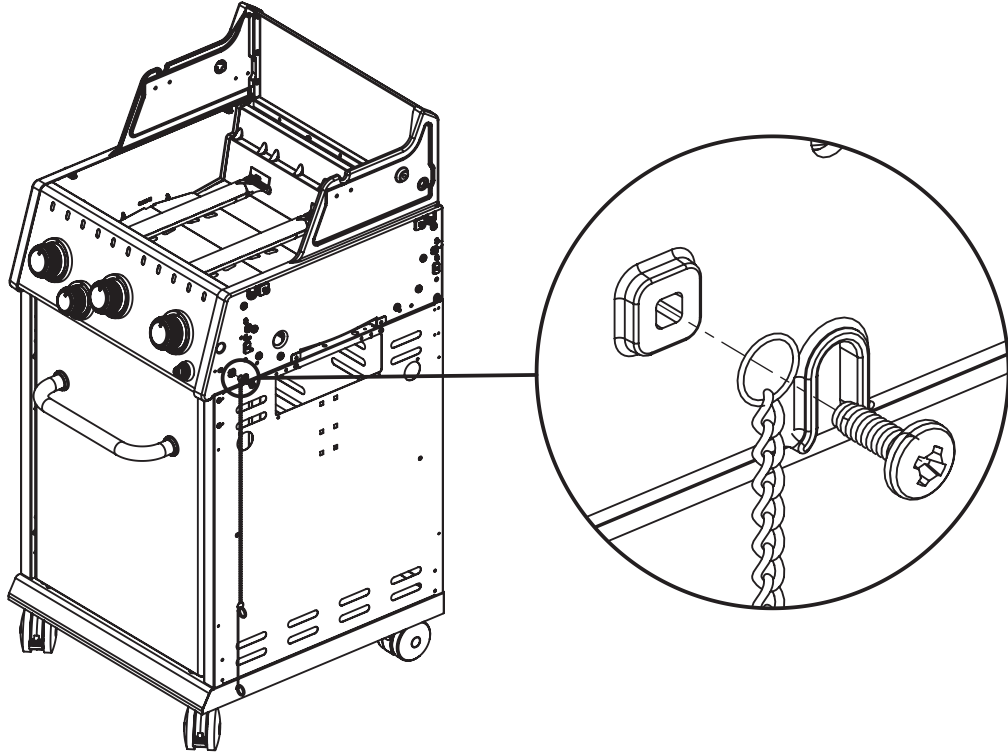
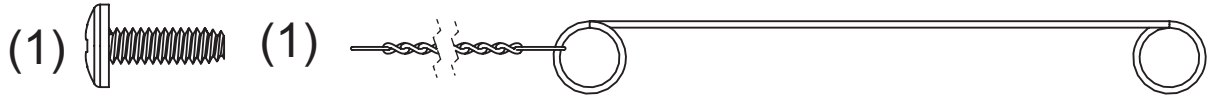


13

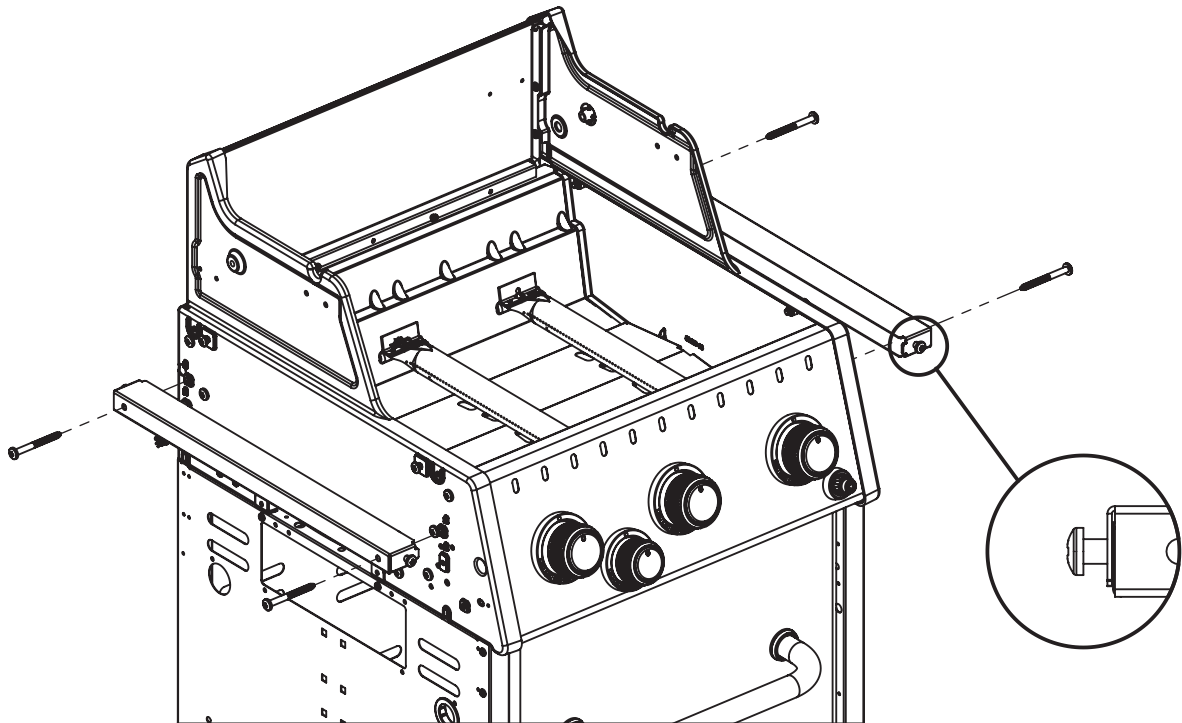
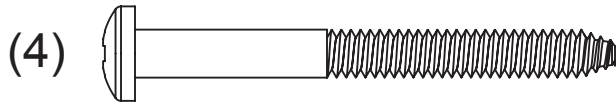
(1)



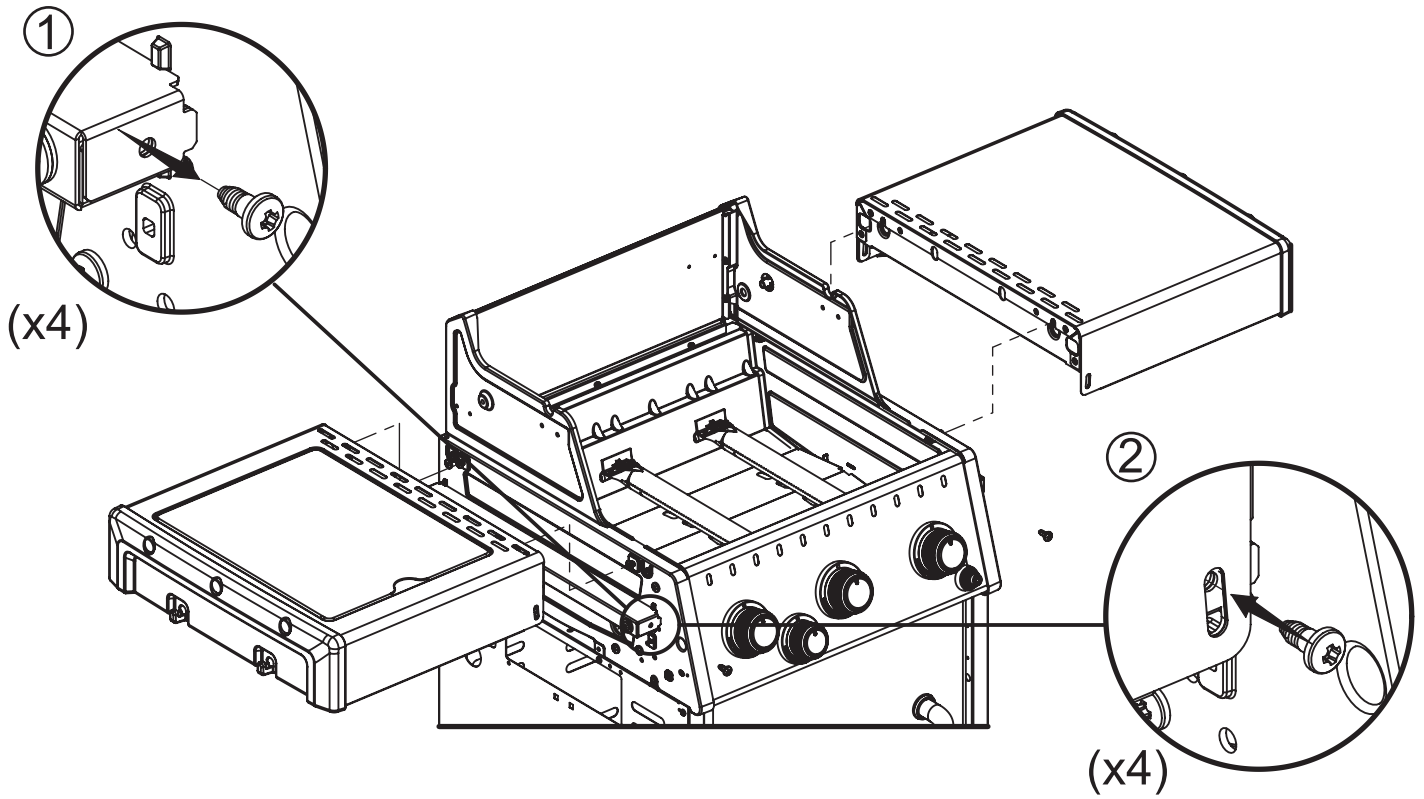
14



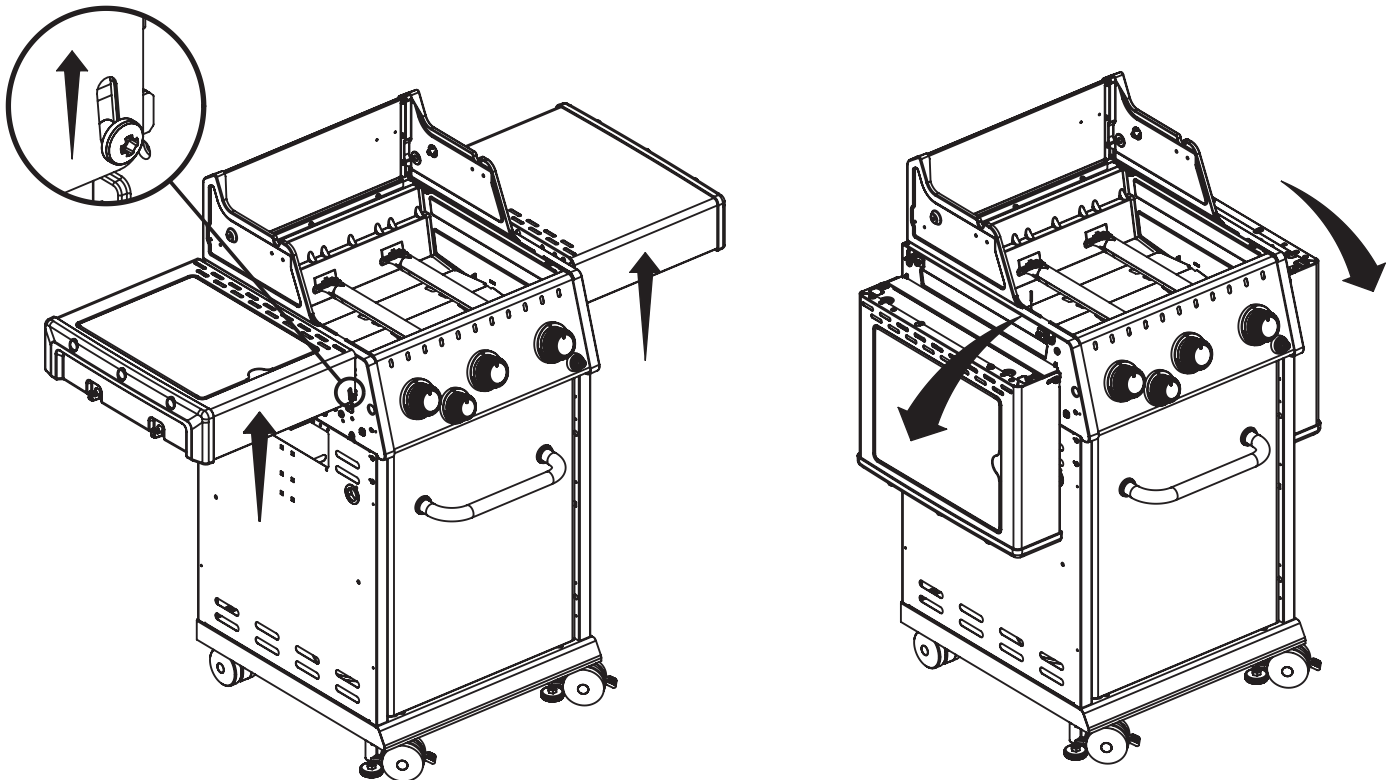
15



16

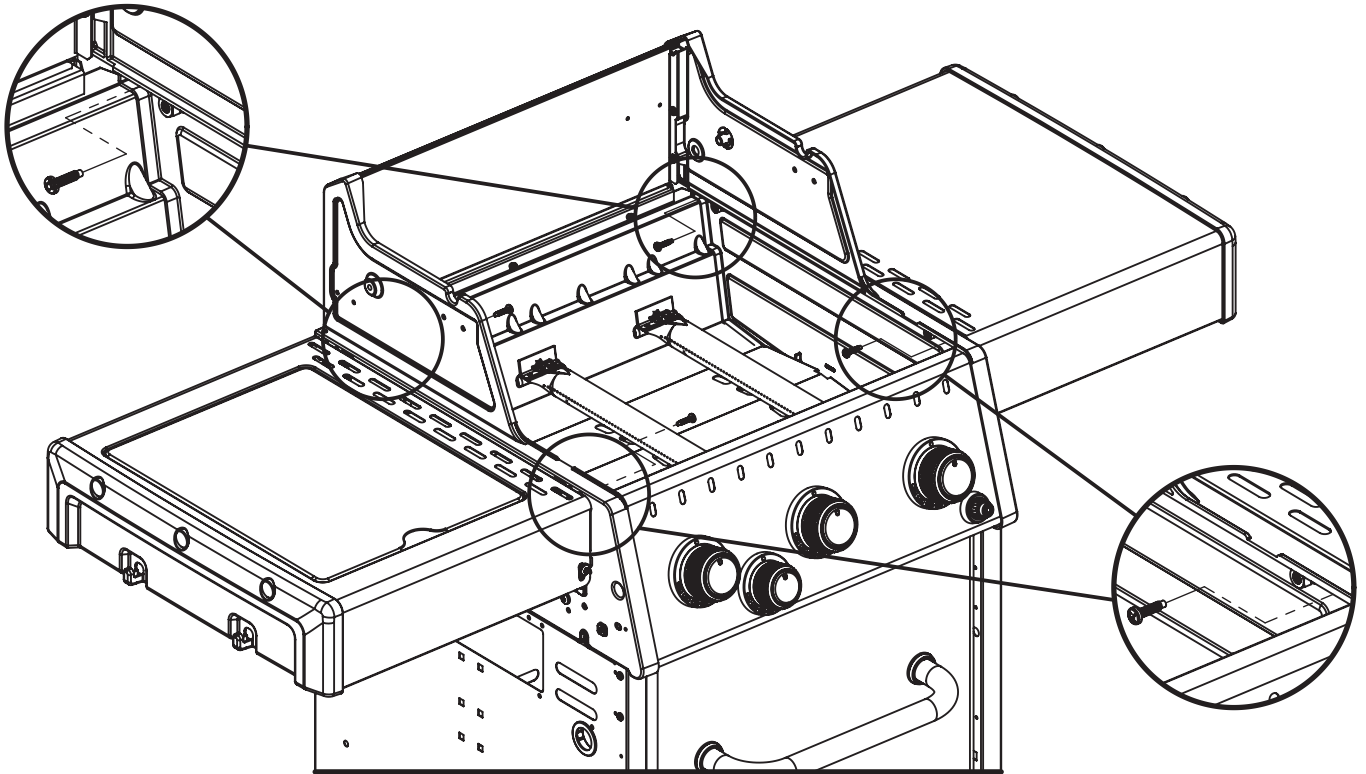
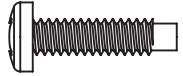


17a



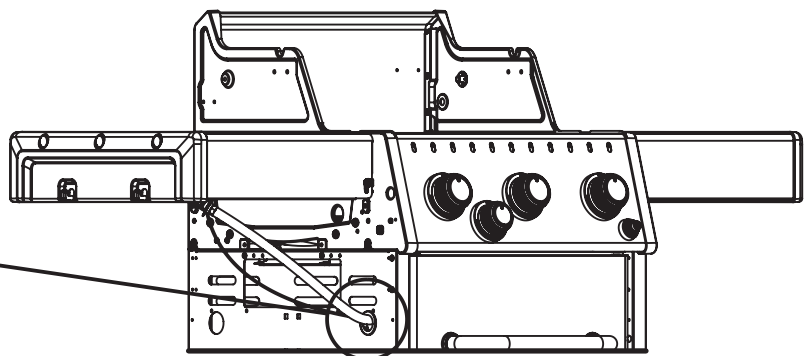
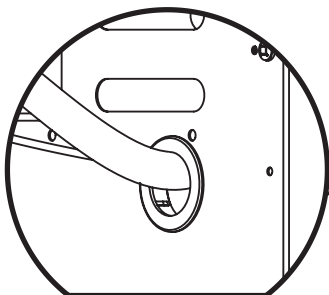
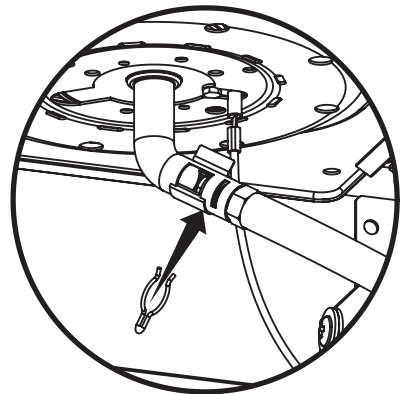
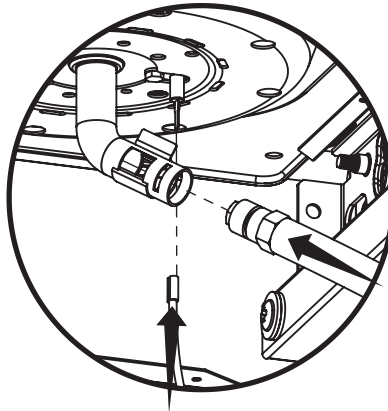
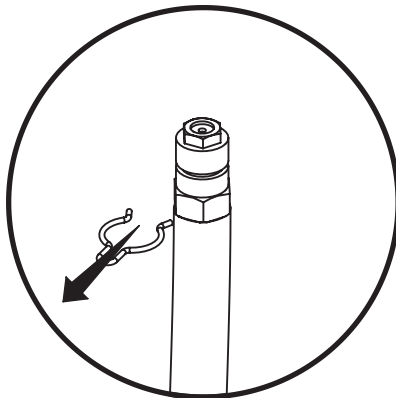
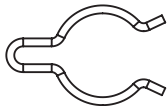
17b

(4)

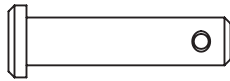
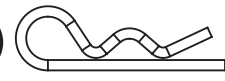


18

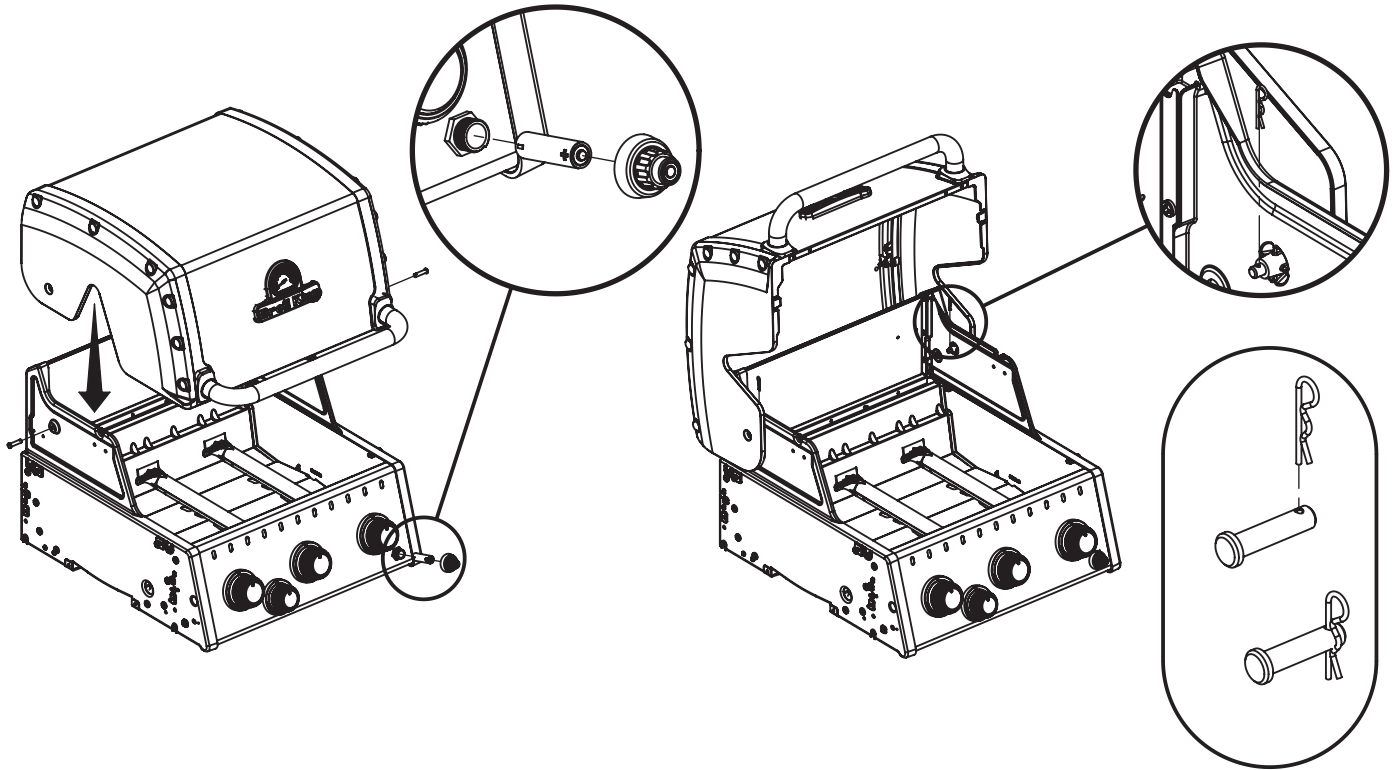
(1)



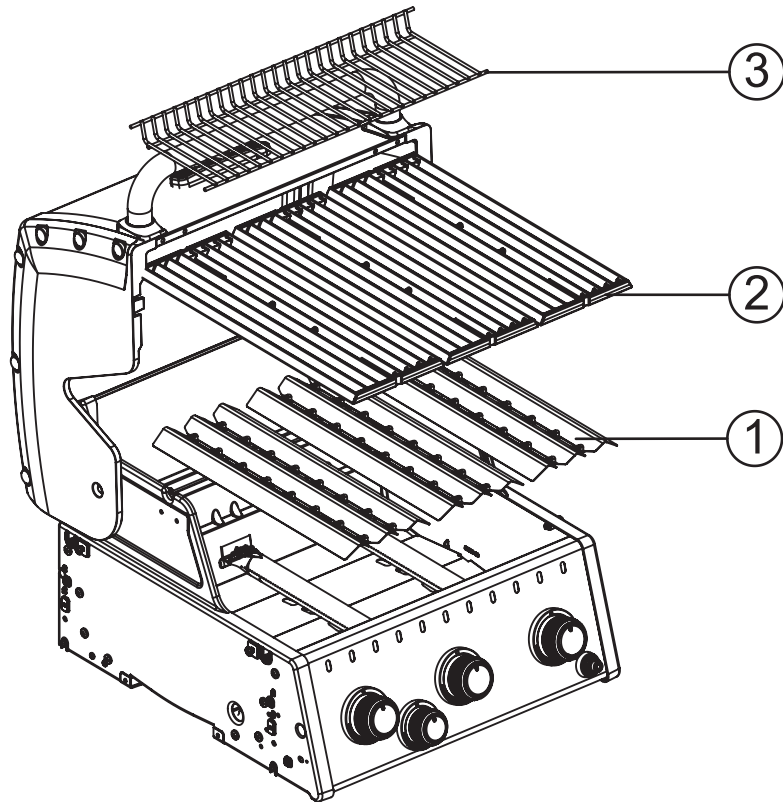
19

(2)  (2) 

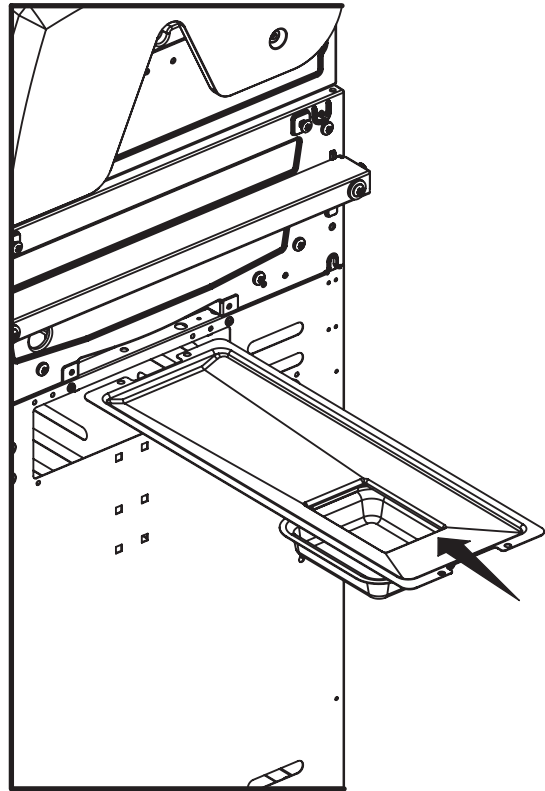
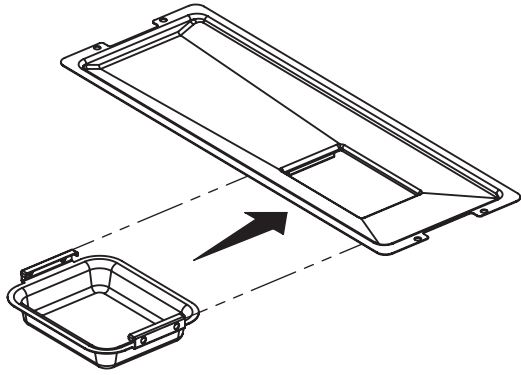
(1) 



20



21



22

