

This Owner's Manual is provided and hosted by [Appliance Factory Parts](#).



Broil King 9225-64 Owner's Manual

[Shop genuine replacement parts for Broil King 9225-64](#)



[Find Your Broil King Grill Parts - Select From 1349 Models](#)

----- Manual continues below part list -----

Available Replacement Parts for Broil King 9225-64

18013	LARGE PROBE HEAT INDICATOR
10081-BK630	NAMEPLATE HI BROIL KING BLACK ZINC
S21124	SCREW PHCP #8 X 12 +
10390-E10	BURNER SIDE 10BTU W/ELEC #8 +
Y-12220	S/B BUSHING SB 1.375 16 HEY
Y-12223	MAGNET SNAP IN - DOOR
Y-12222	MAGNET - DOOR
23000-253	SIDE BURNER LID IR SS
23000-271	SIDE BURNER BODY BASE
Y-11567	M8 SHOULDER M6 TYPE D SCREW
10342-E13	ELECTRODE W/WIRE
10240-20	DOOR PIN TOP
10240-19	DOOR PIN BOTTOM
27055-901	GREASE TRAY PORC FORMED 440 +
96021	HEAT PLATE PORCELAIN STEEL
03330	spark generator
00475	heat indicator
52045-92	FIREBOX 440 HEAT SHIELD REAR
52315-151	FIREBOX 440 HOOD PANEL PORC
59005-034	CONTROL ASSY 4V S/B LP
59005-037	CONTROL ASSY 4V S/B NG
18431	OEM FLAV R WAVE - BARON
52305-121	FIREBOX 440 OUTER REAR
20005-000	HARDWARE BAG STICK & CHAIN SS
10892-23	CASTER RUBBER 3 INCH W/PLATE
51175-111A	DOOR ASSEMBLY 440 RHS BLACK
51175-131A	DOOR ASSEMBLY 440 LHS BLACK
51175-114A	DOOR ASSEMBLY 440 RHS SS
51175-134A	DOOR ASSEMBLY 440 LHS SS
54009-936	HANDLE BEZEL - CHROME

SP11-25	STOP BUMPER - SILICONE
10811	BURNER, PIPE, SS, 16.5 X 1
80012	regulator and hose READ ADD. INFO
08032	BURNER CROSSOVER BAR, SS
04831	ELECTRODE WITH WIRE
10342-T21	ELECTRODE WIRE S/B 35 INCH
10892-285	CASTER 3 INCH RUBBER W/LEG LEVEL
22001-164	BEZEL SS FLAT SML + 250/500/625/750 A
22002-264	BEZEL SS FLAT LRG + 250/500/625/750 A
51039-951	CASTER BRACKET BLACK 330/440/550
11241	BARON CAST IRON GRID
52025-244BAR	CONTROL COVER 4V + SB - BARON
52065-91	FIREBOX 440 HEAT SHIELD FRONT
23009-951	SIDE BURNER GRID BLK 330/440/550
53409-138	SHELF END CAP RHS OR LHS 330/440/550
56144-211	LID END CAP 440 RHS BLACK
56144-231	LID END CAP 440 LHS BLACK
59005-014	CONTROL ASSY 4V LP
Y-11981	BOLT CARRIAGE 1/4-20 x 1 UNC
10342-42	IGNITOR ELECTRONIC DOUBLE IMPERIAL
10342-43	IGNITOR ELECTRONIC TRIPLE IMPERIAL
25070-92	WIRING HARNESS +
25070-93	IGNITOR BUTTON & WIRE IR SS +
18631	OEM BURNER - BARON
59005-017	CONTROL ASSY 4V NG
53139-988	BRACKET SHELF SUPPORT
53150-614	SHELF ASSY BARON RHS SS
53150-654	SHELF ASSEMBLY BARON LHS SS
17000	CONTROL KNOB - SMALL BLACK
17010	CONTROL KNOB RESIN LRG BLACK
10111-K45	HOSE 3/8 INCH ASSEMBLY NG 10 FOOT +
21071-13	DOOR HANDLE 500 GPB
24005-12AB	LID-HANDLE BENT,

52005-991	WARMING RACK 440 PORC
21035-991	GREASE RAIL 440/500 SABLE BLK
21009-951	TANK COLLAR CLAMP 625/750 BLK PULL OUT
51239-901	TANK PREVENTION BRACKET 440 + BLK
51335-211	TOP MAGNET BRACKET 440 BLACK
52009-901	GREASE PAN - BLACK HIGH HEAT PAINT
10111-15A	HOSE ASSEMBLY SS
27249-904	GREASE SHIELD MODULAR, 6.5 x 6
22025-903	COLLECTOR BOX ASSY 500 430SS

Broil King®

REDDI-BILT BARBECUES

ASSEMBLY MANUAL & PARTS LIST • MANUEL DE MONTAGE & LISTE DE PIÈCES • MANUAL DE ARMADO Y LISTA DE PARTES



Broil King
9221-54
9221-57
9221-64
9221-67



Broil King
9225-64
9225-67

RETAIN FOR FUTURE REFERENCE • VEUILLEZ CONSERVER POUR REFERENCE ULTERIEURE • CONSERVER PARA FUTURAS CONSULTAS

ASSEMBLY VIDEO

VIDÉO MONTRANT
L'ASSEMBLAGE

VIDEO DE
ENSAMBLAJE



BROILKINGBBQ.COM

Onward
MANUFACTURING COMPANY

SINCE 1906

1000 EAST MARKET STREET
HUNTINGTON, INDIANA, 46750, USA

1-800-265-2150

info@omcbbq.com

50084-S45 Rev E 11/13



HARDWARE INCLUDED / MATERIAL INCLUS / EQUIPOS INCLUIDO



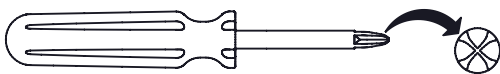
Y-12865		X26	S21125		X8
Y-11565		X4			
Y-29310		X4	Y-12310		X4
S21255		X14	Y-11546		X2
Y-11795		X2	Y-12127		X2
S35094		X1	Y-11793		X2
10240-23		X2	S21233		X2



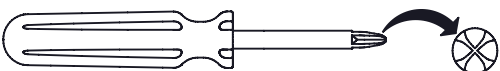
TOOLS REQUIRED / OUTILS NECESSAIRES / HERRAMIENTAS NECESARIAS



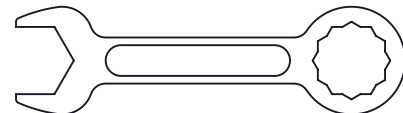
#3 PHILLIPS



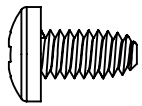
#2 PHILLIPS

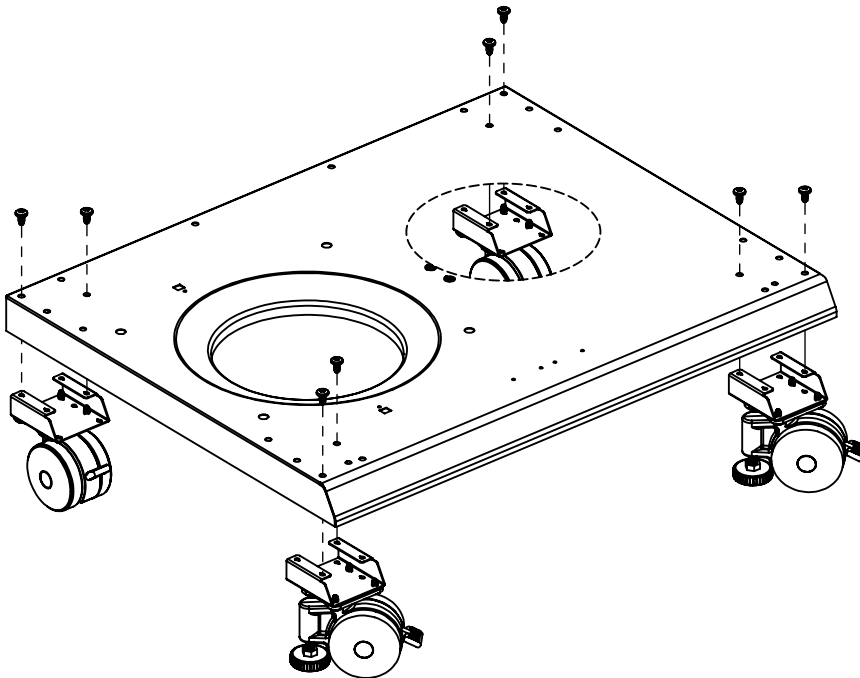


7/16"

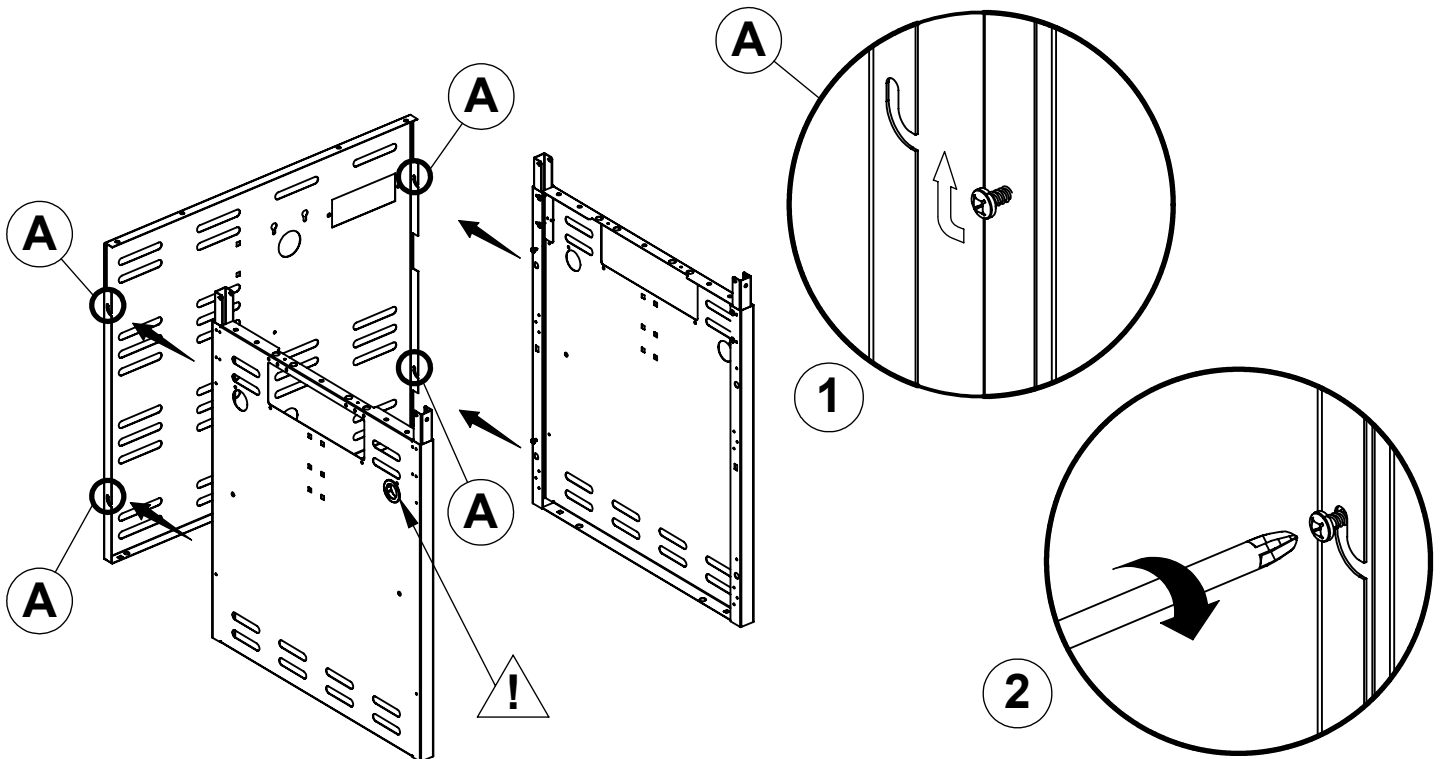


1

(8) 

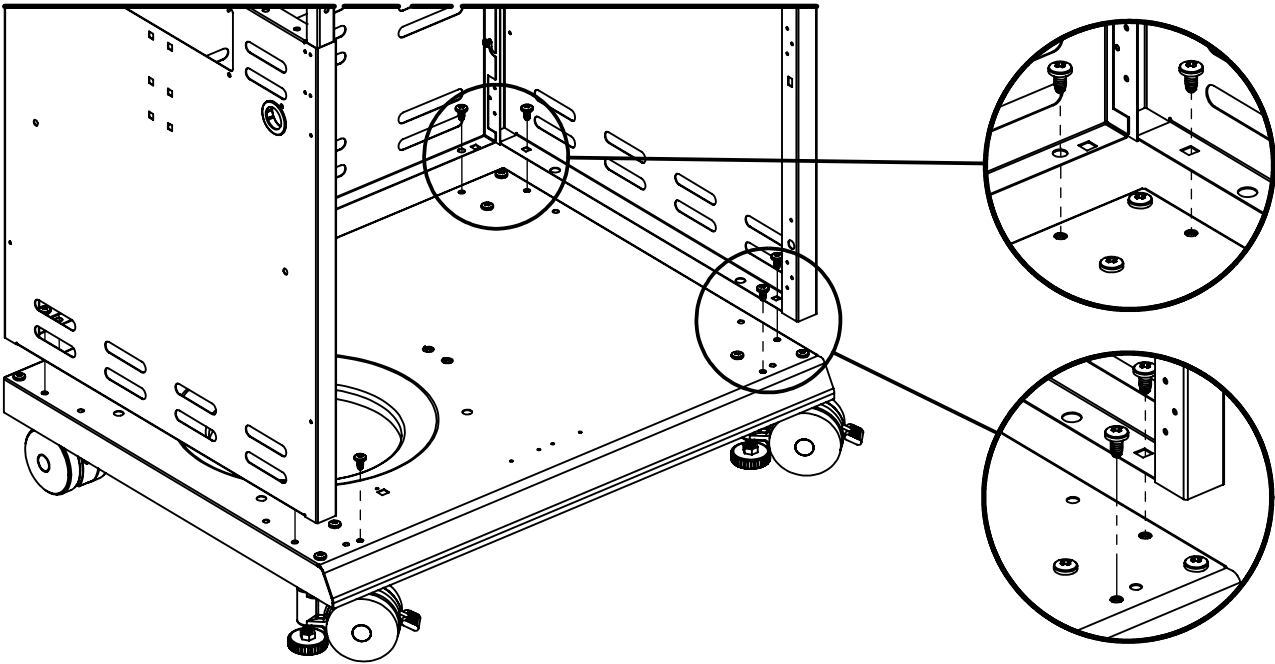
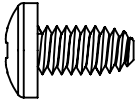


2



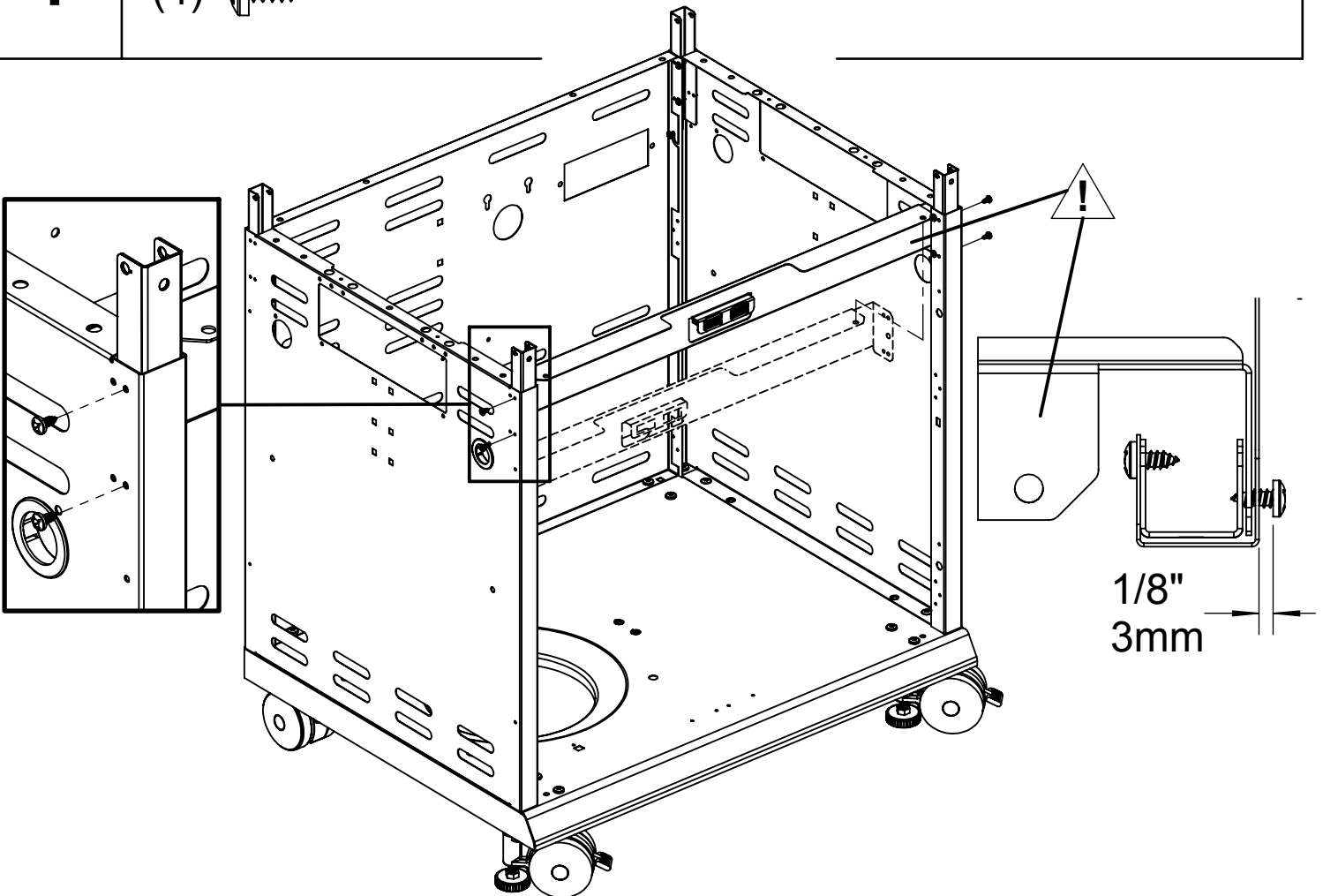
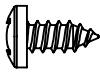
3

(8)




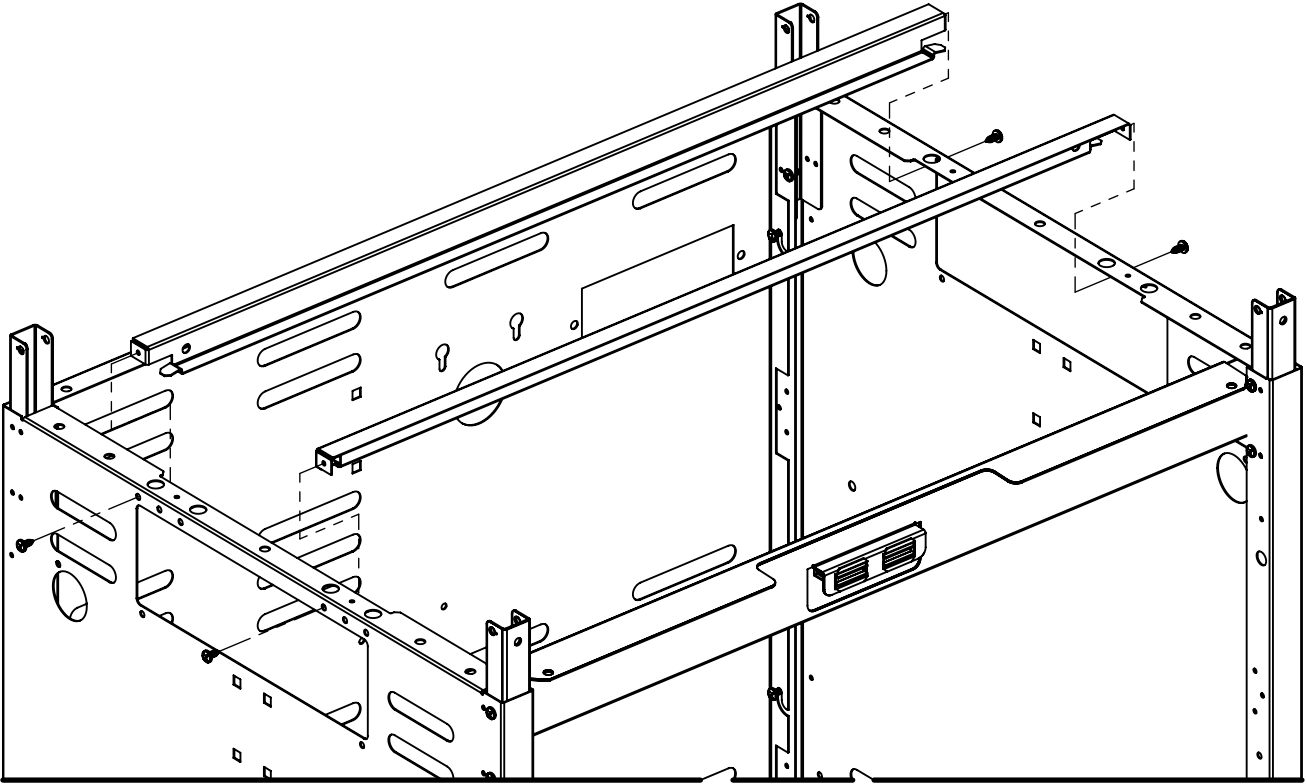
4

(4)

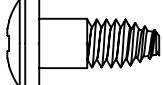


5

(4) 

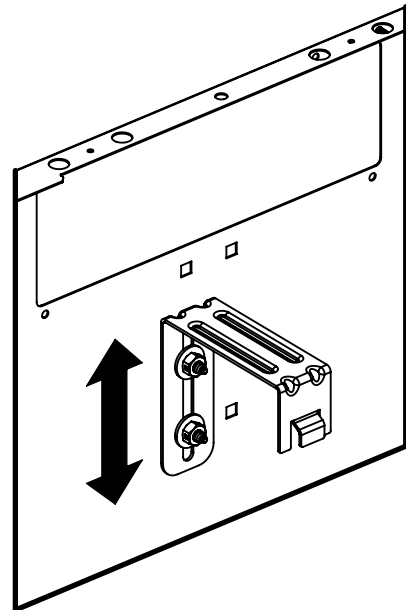
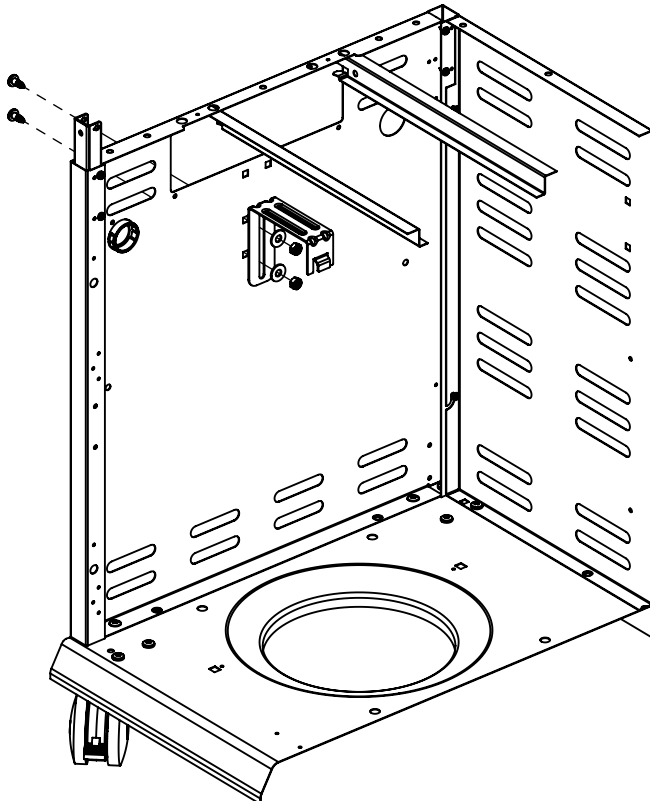


6

(2) 

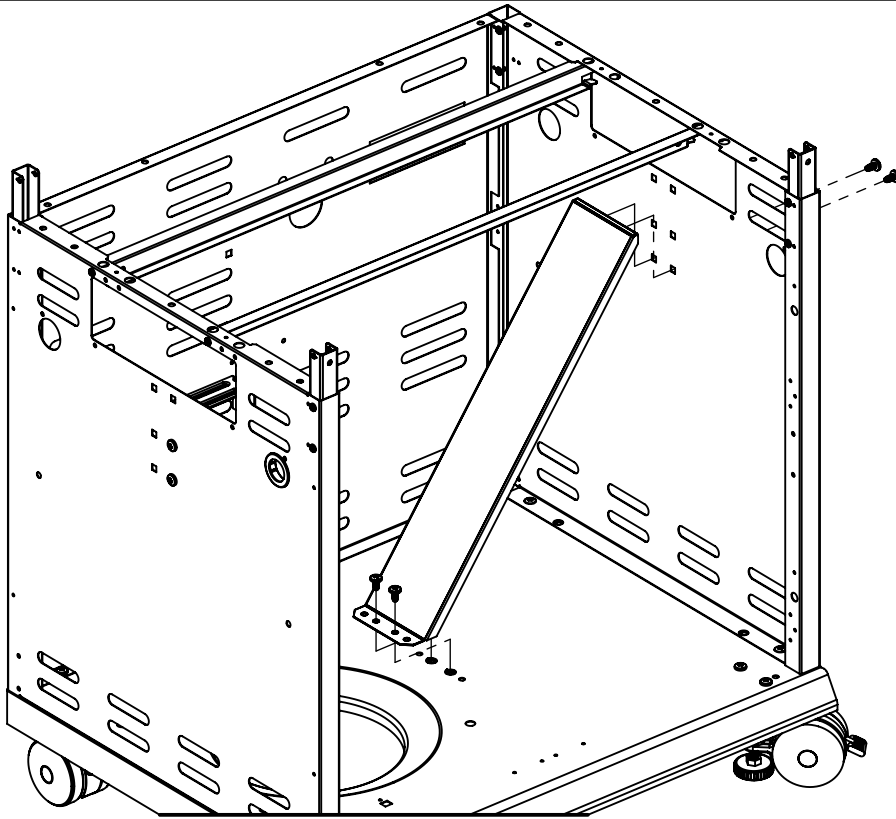
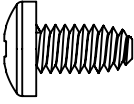
(2) 

(2) 

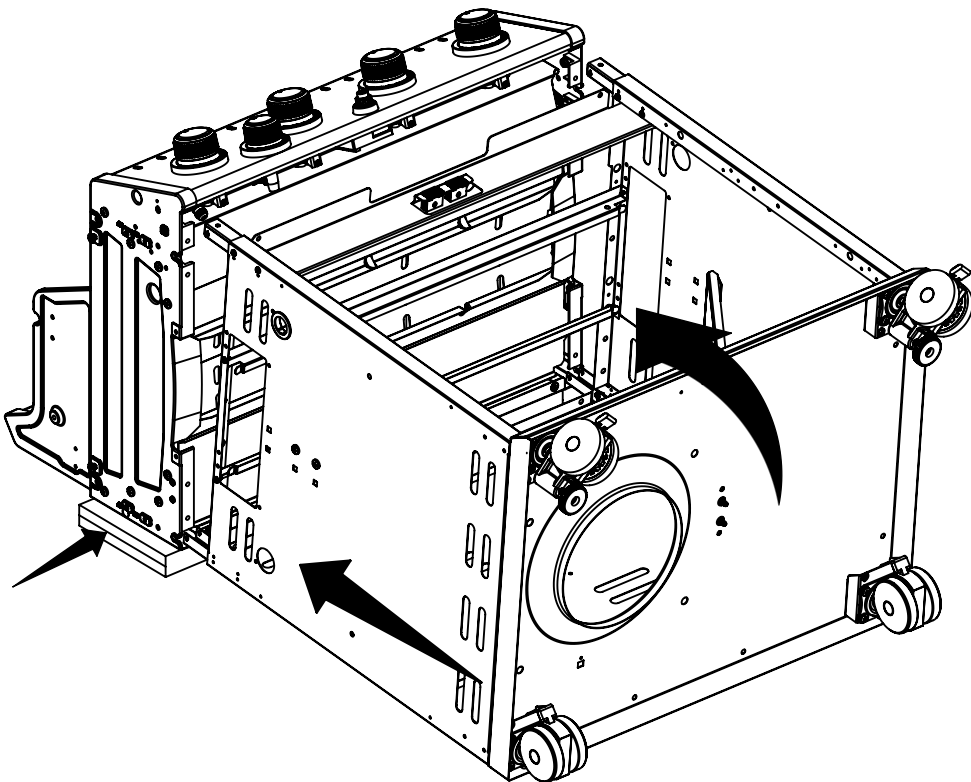


7

(4)

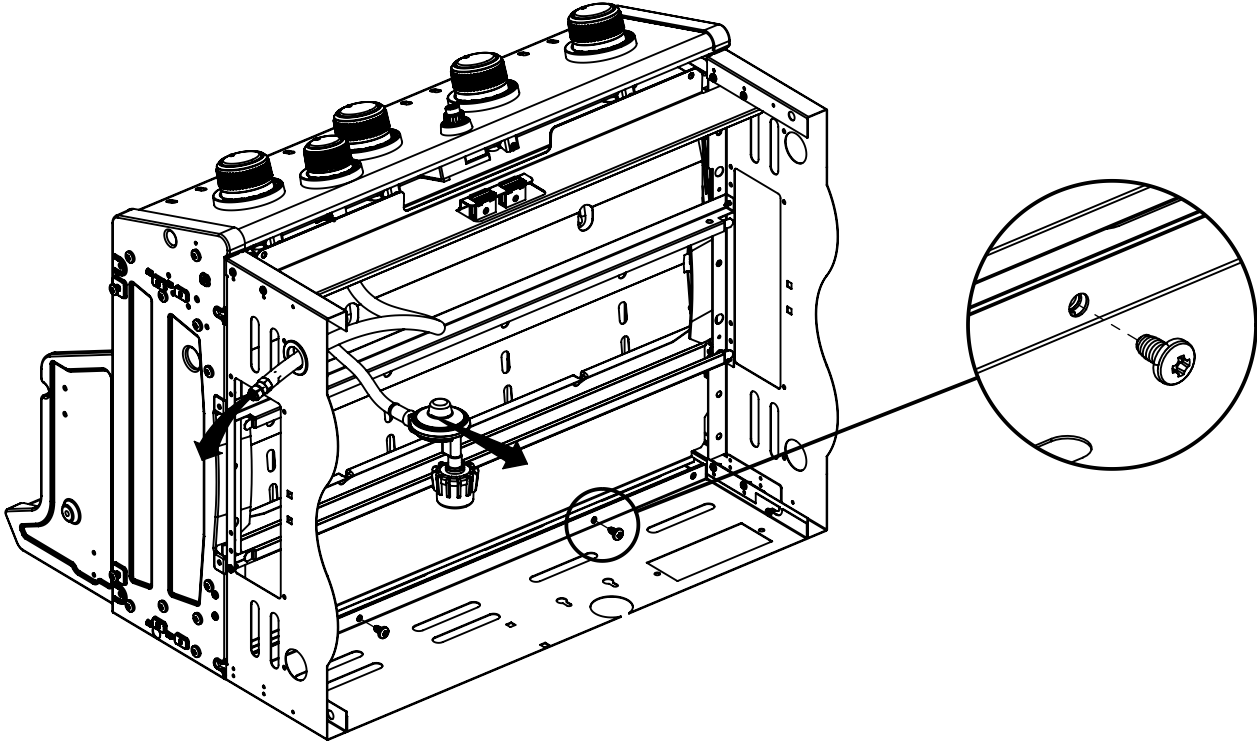
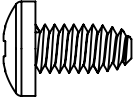


8



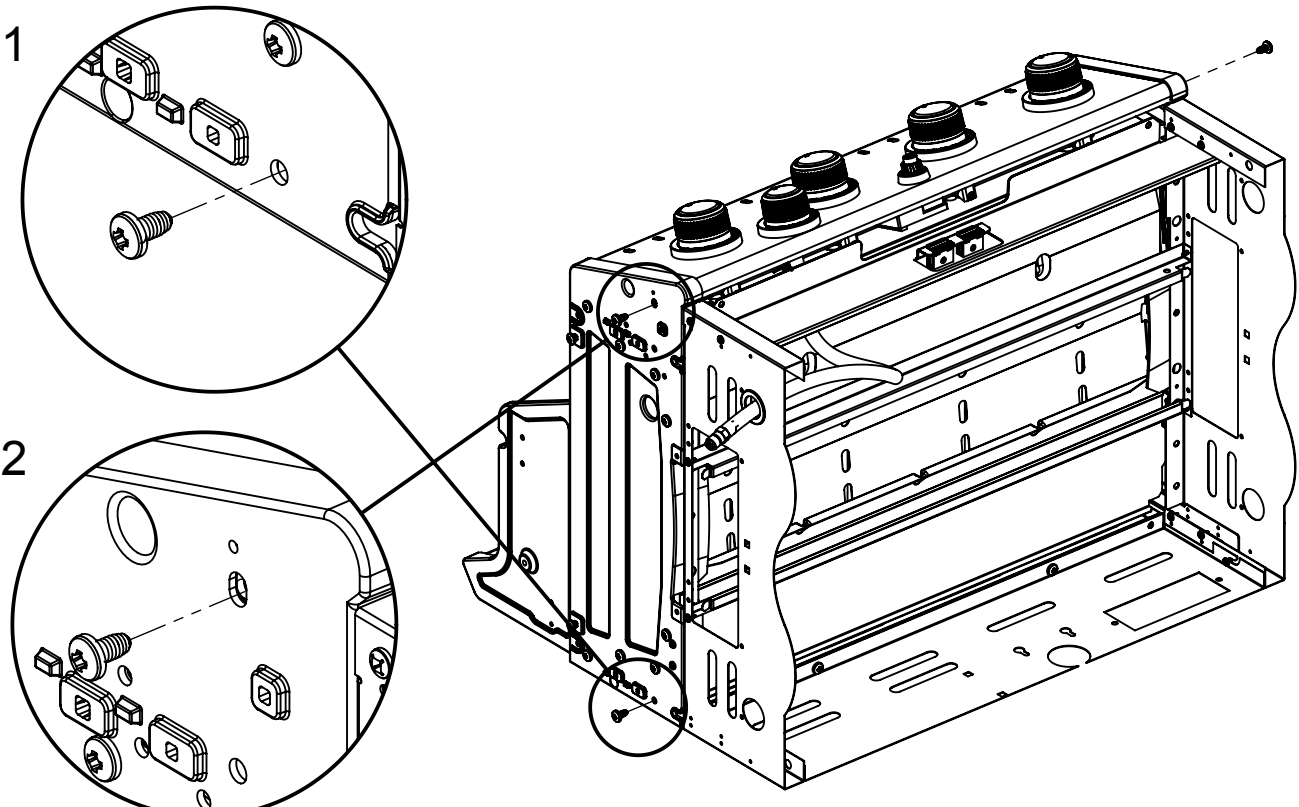
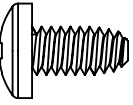
9

(2)

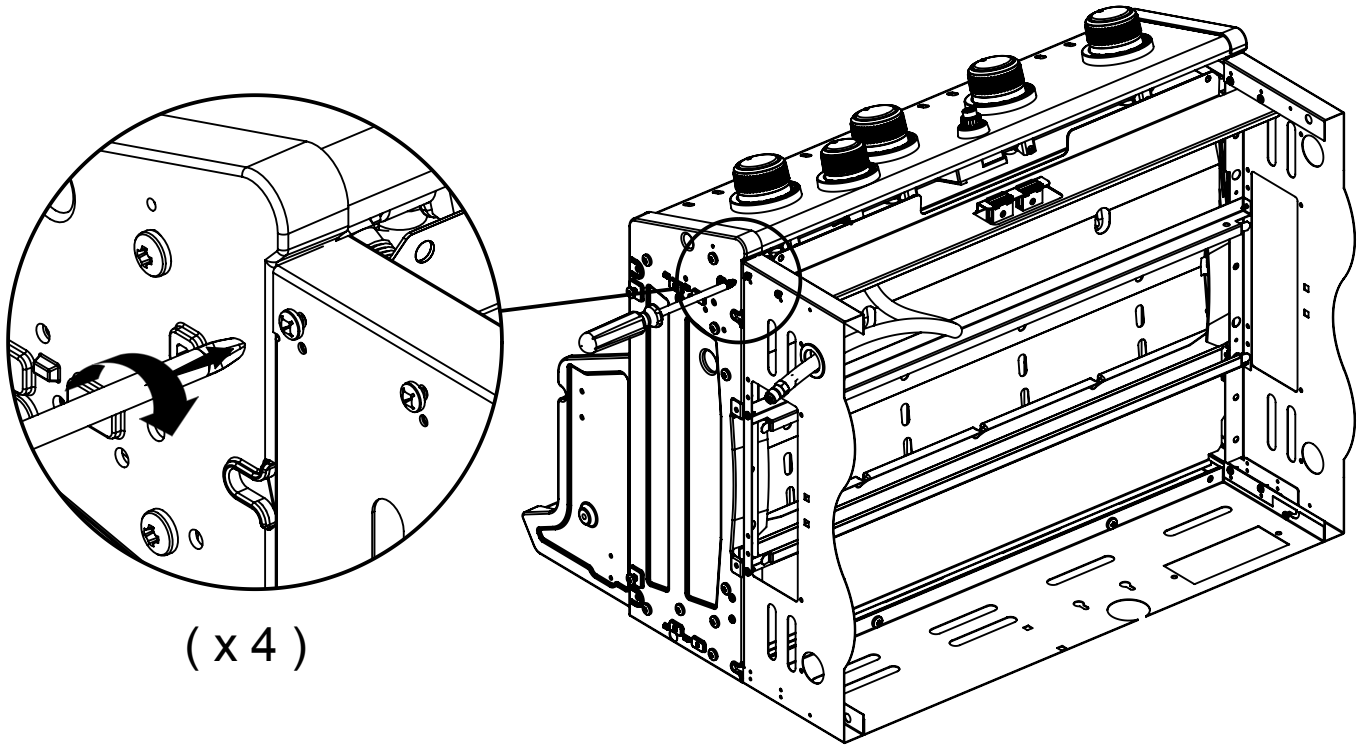


10

(4)

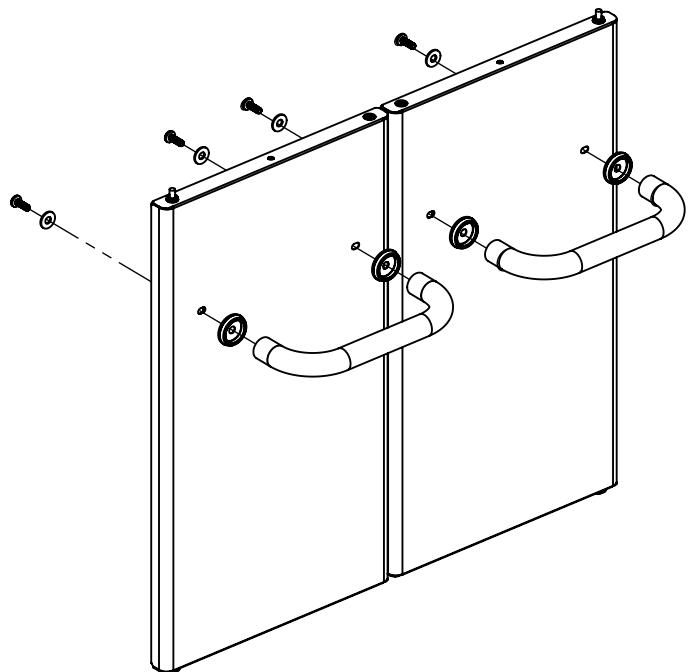
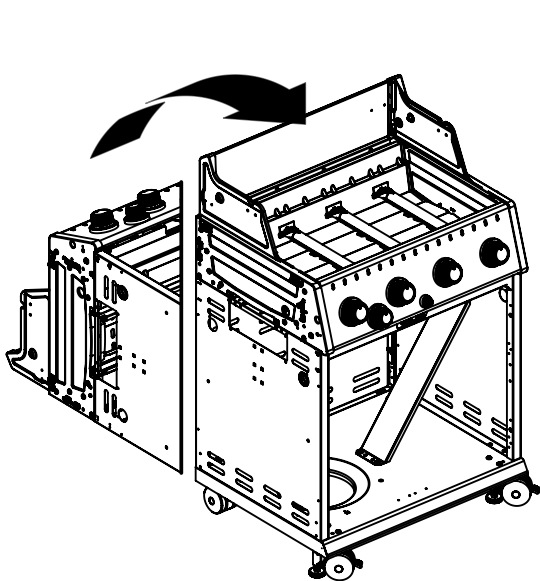
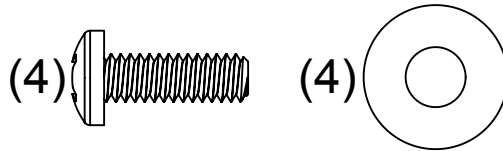


11

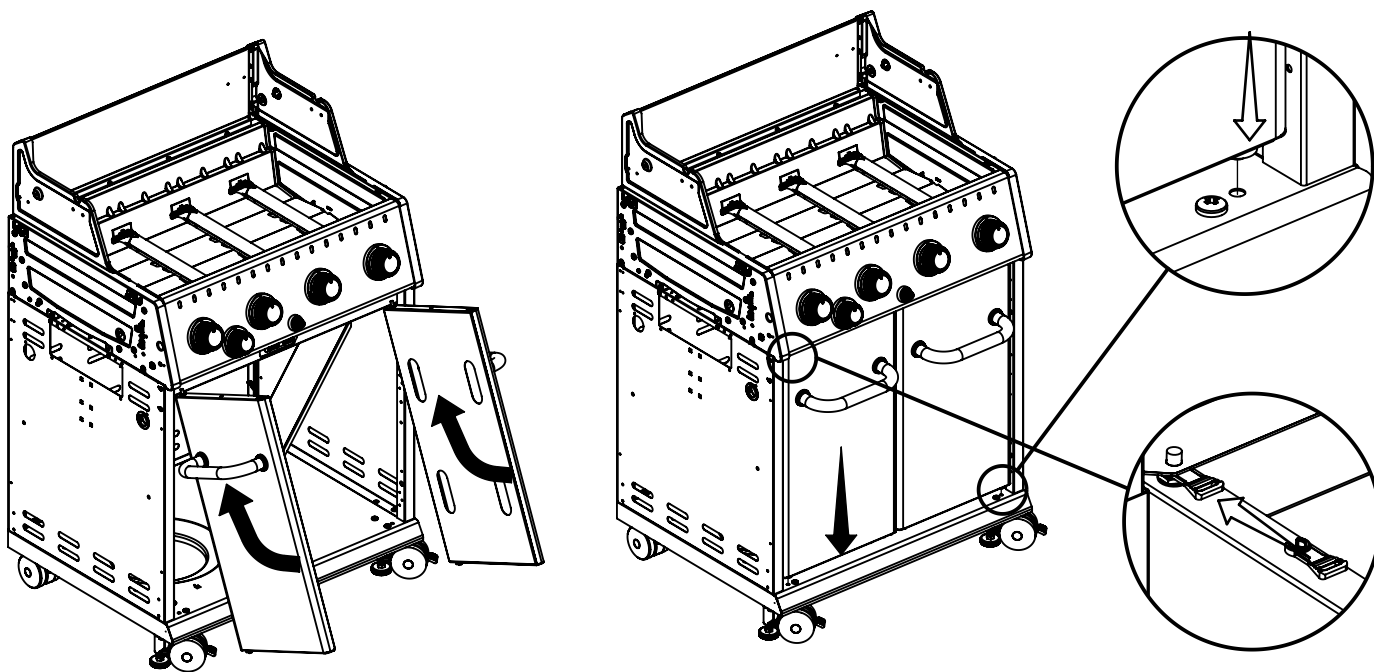
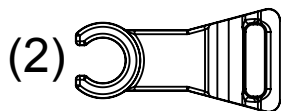


12

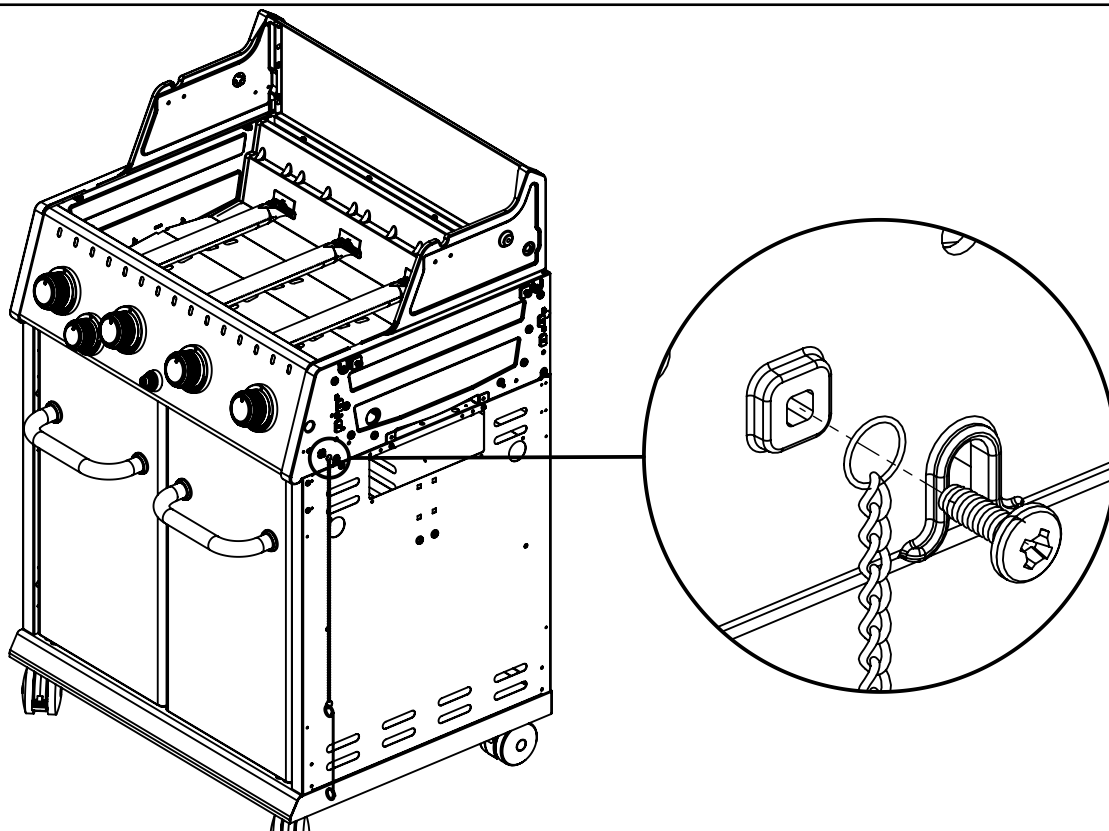
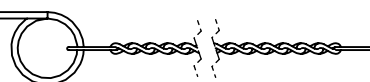
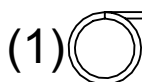
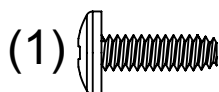
13



14

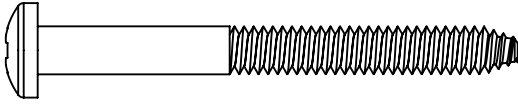


15

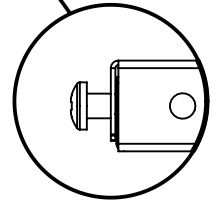
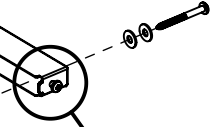
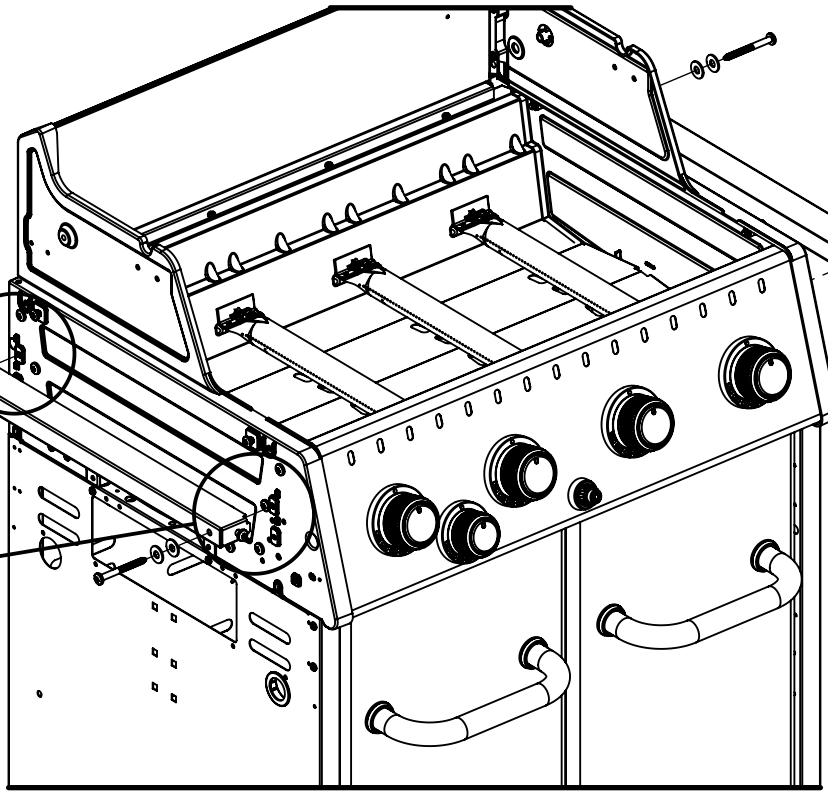
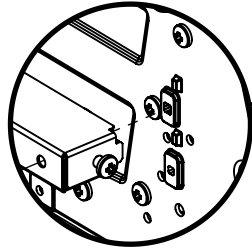
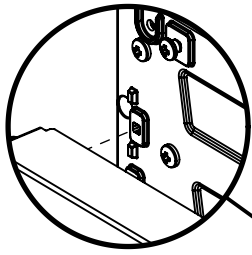
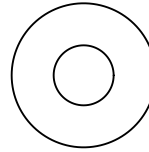


16

(4)

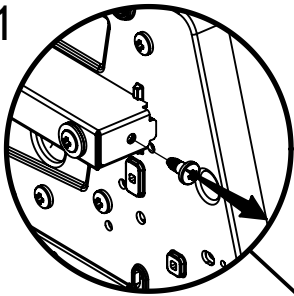


(8)

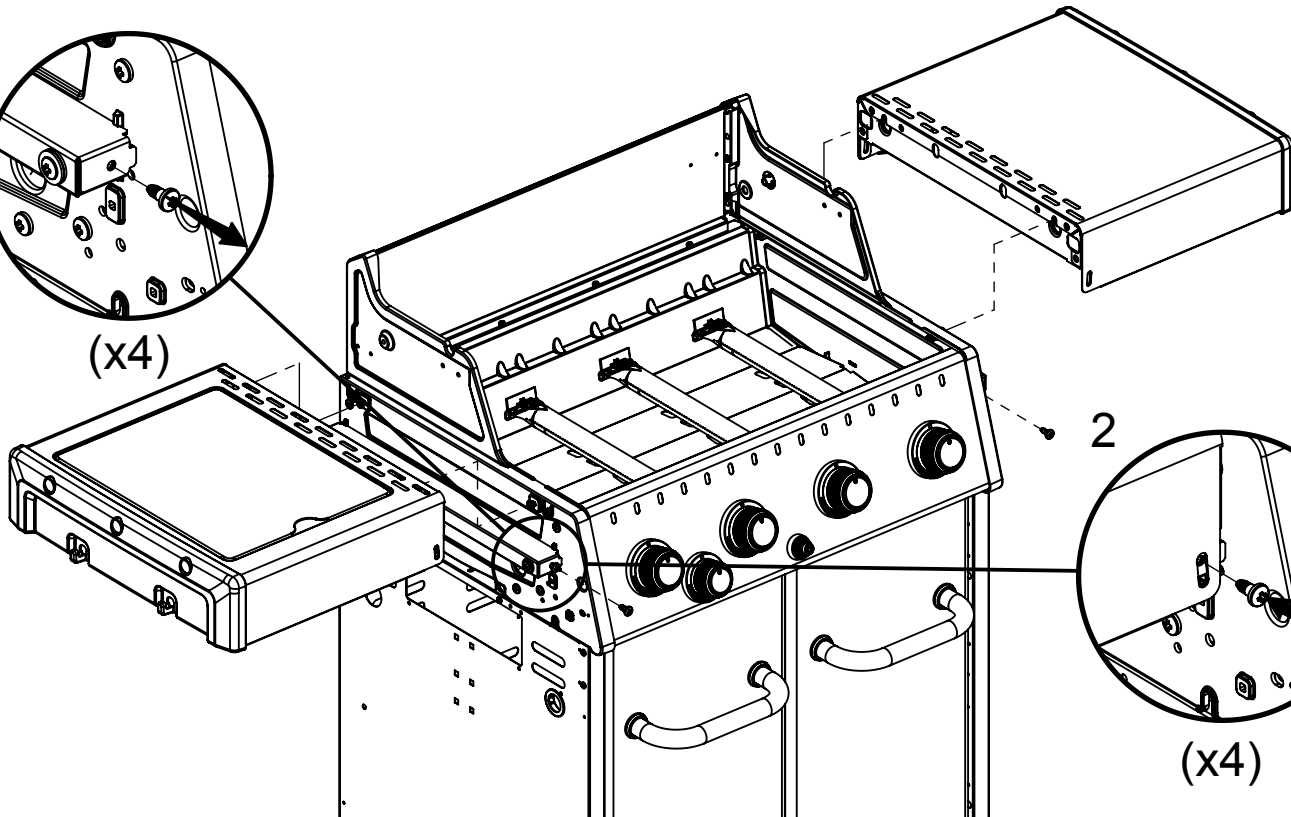


17

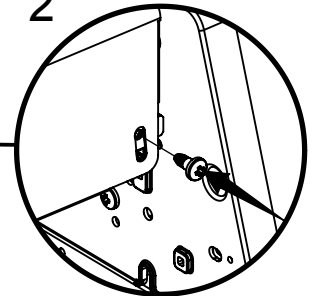
1



(x4)

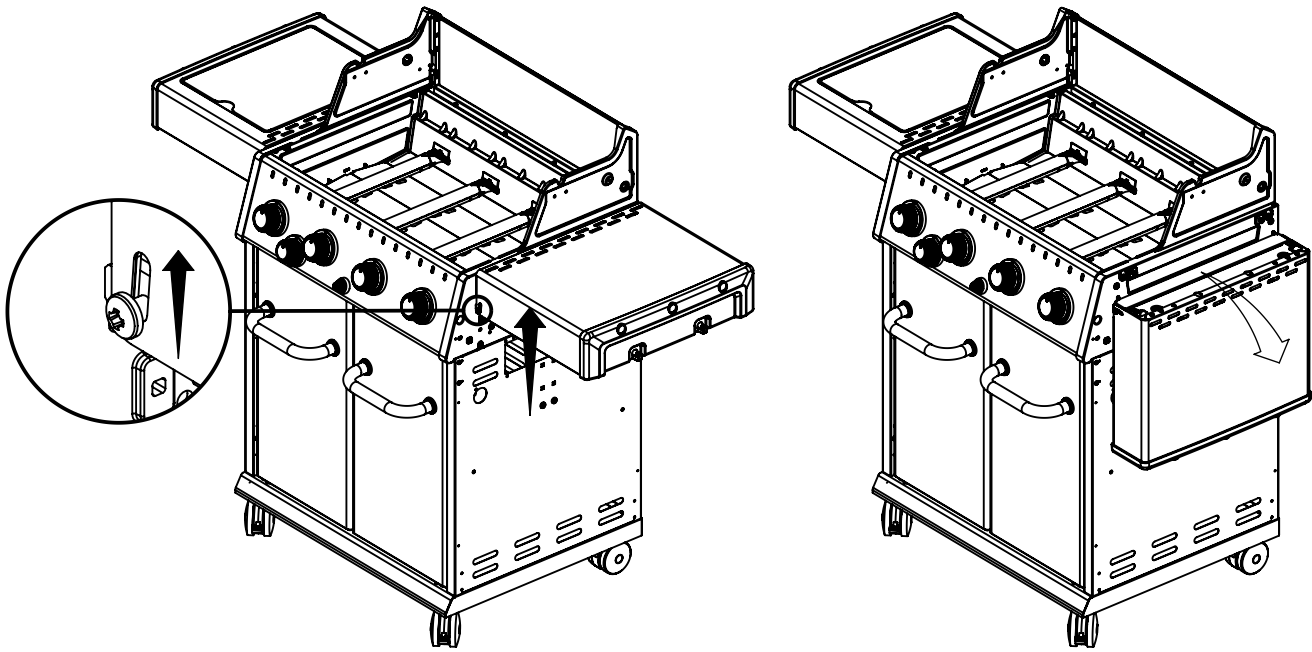


2



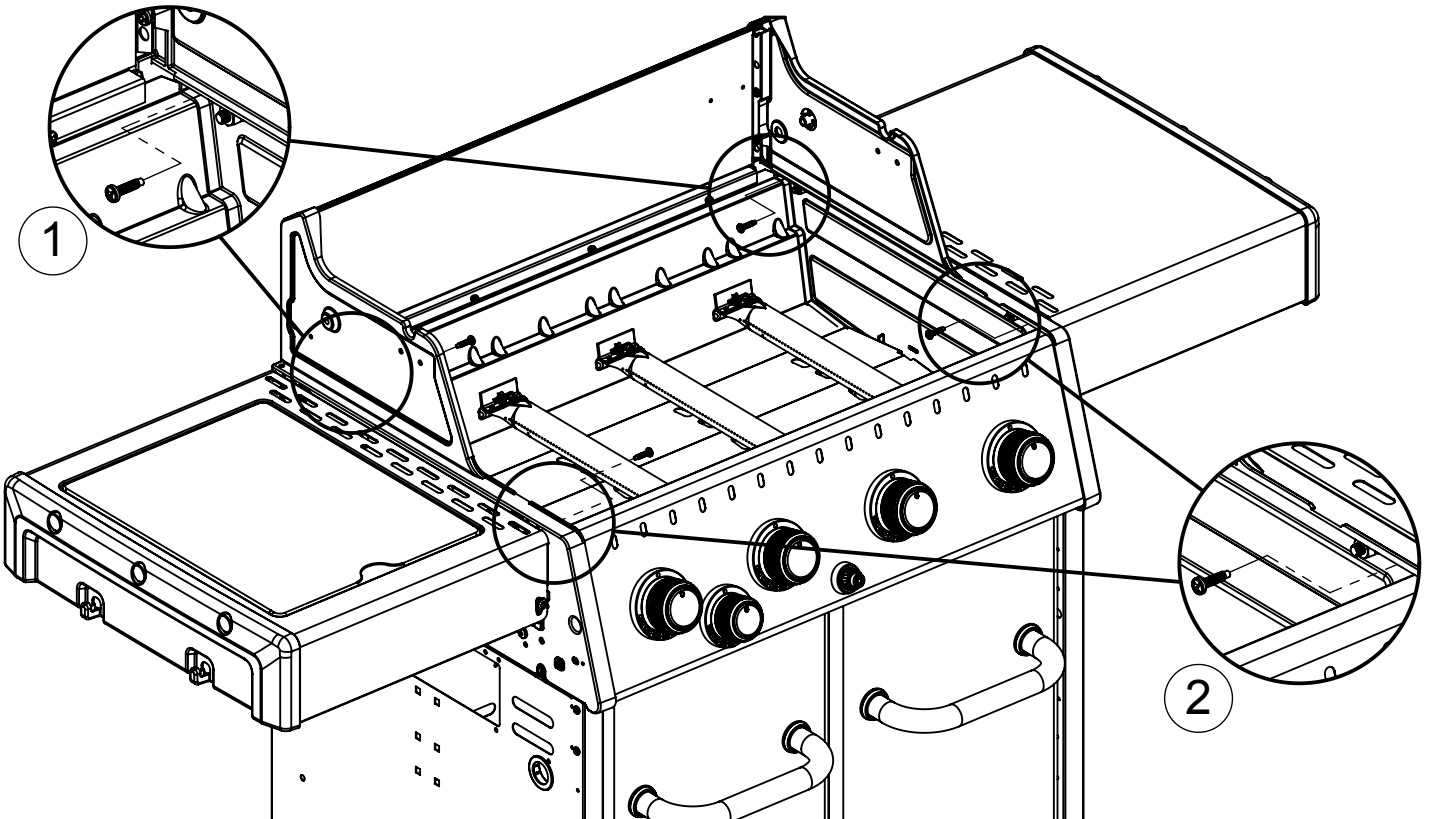
(x4)

18a

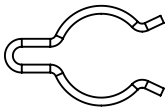


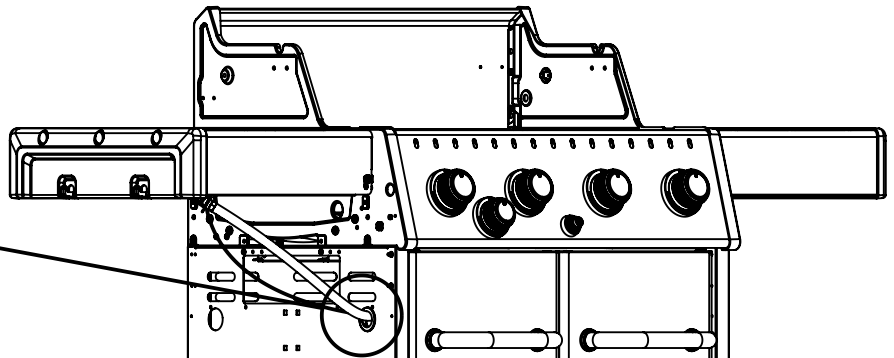
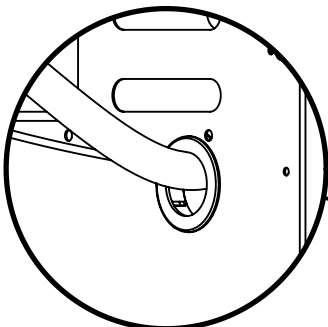
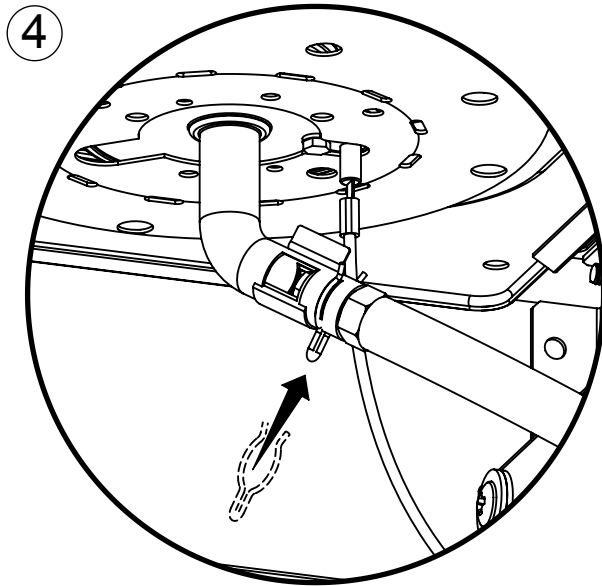
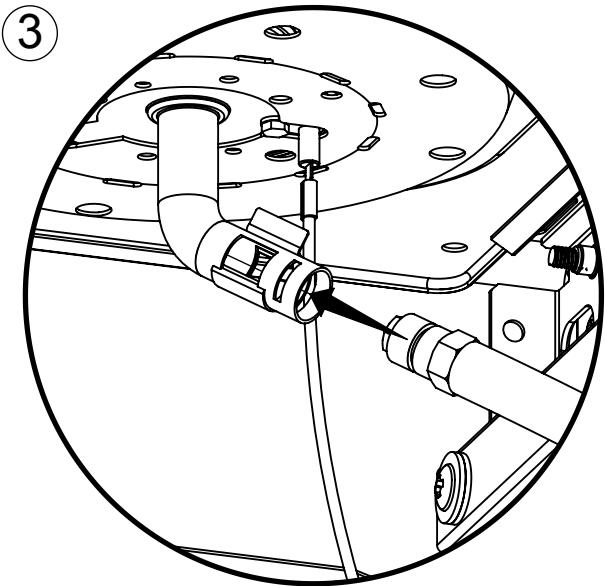
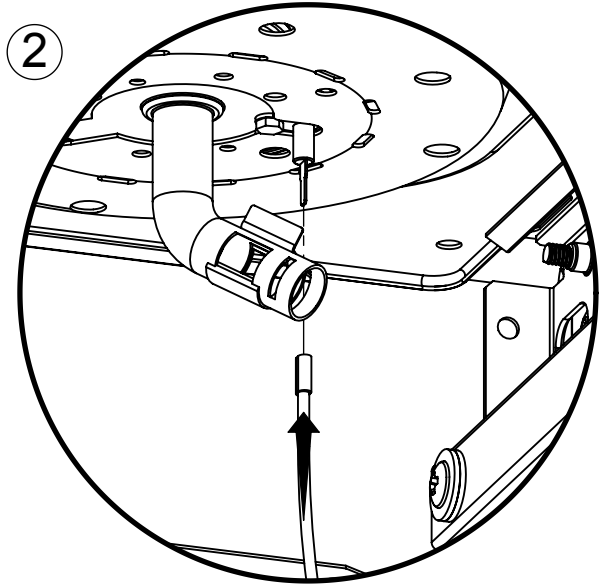
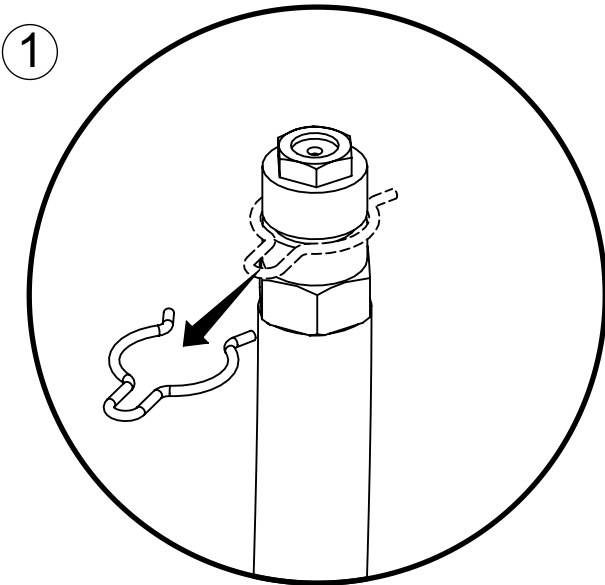
18b

(4)

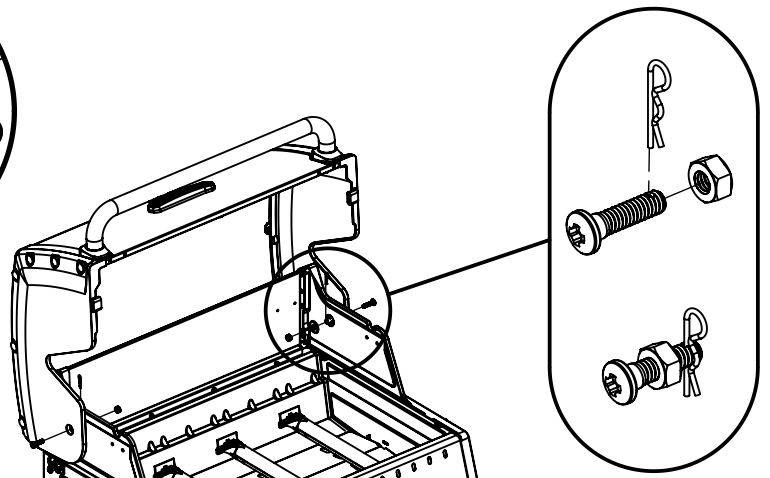
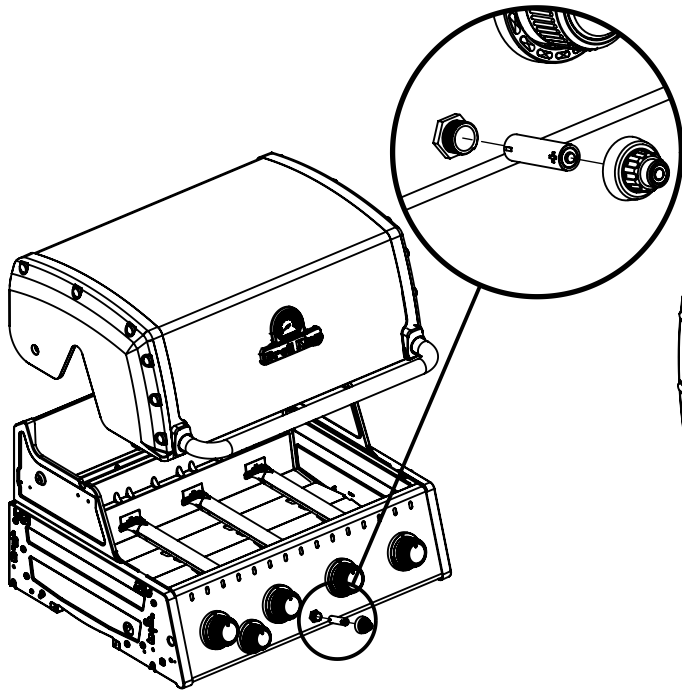
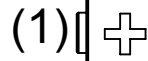
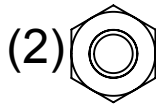
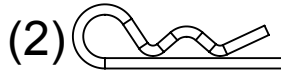
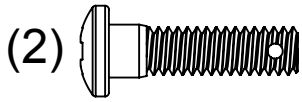


19

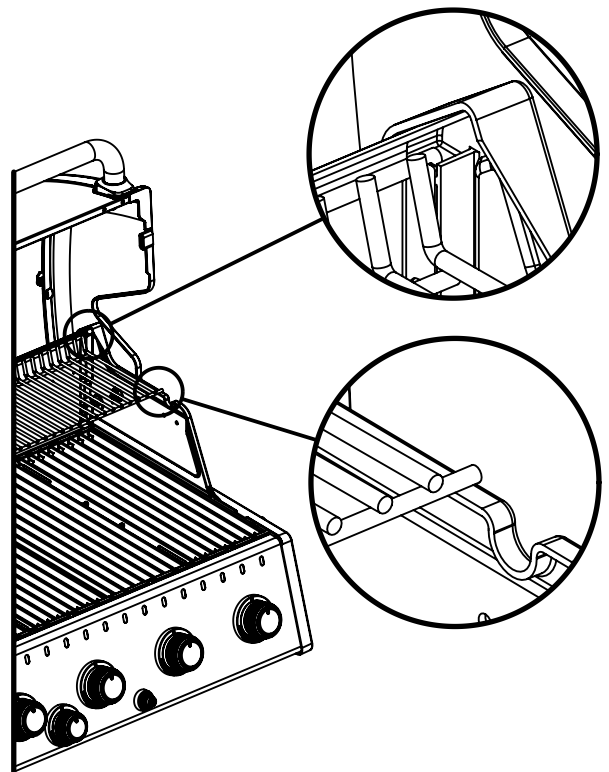
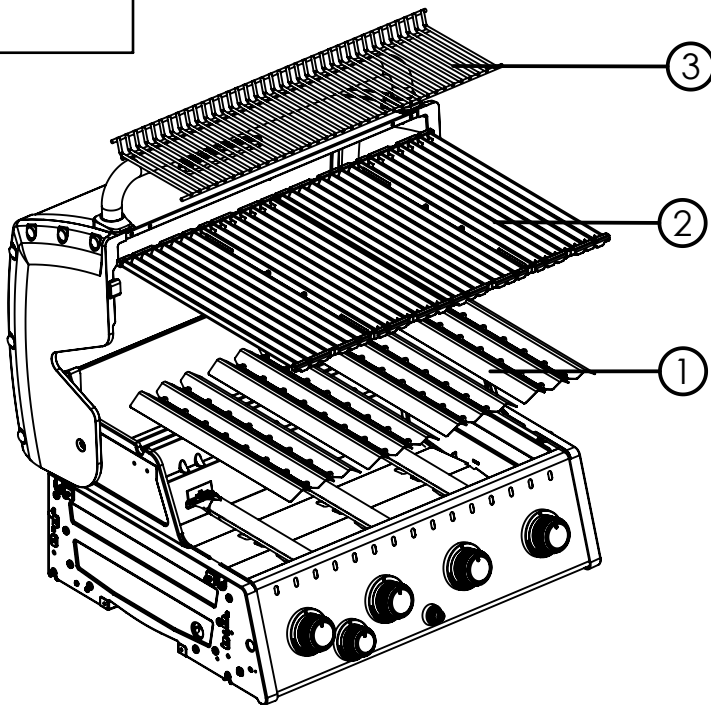
(1) 



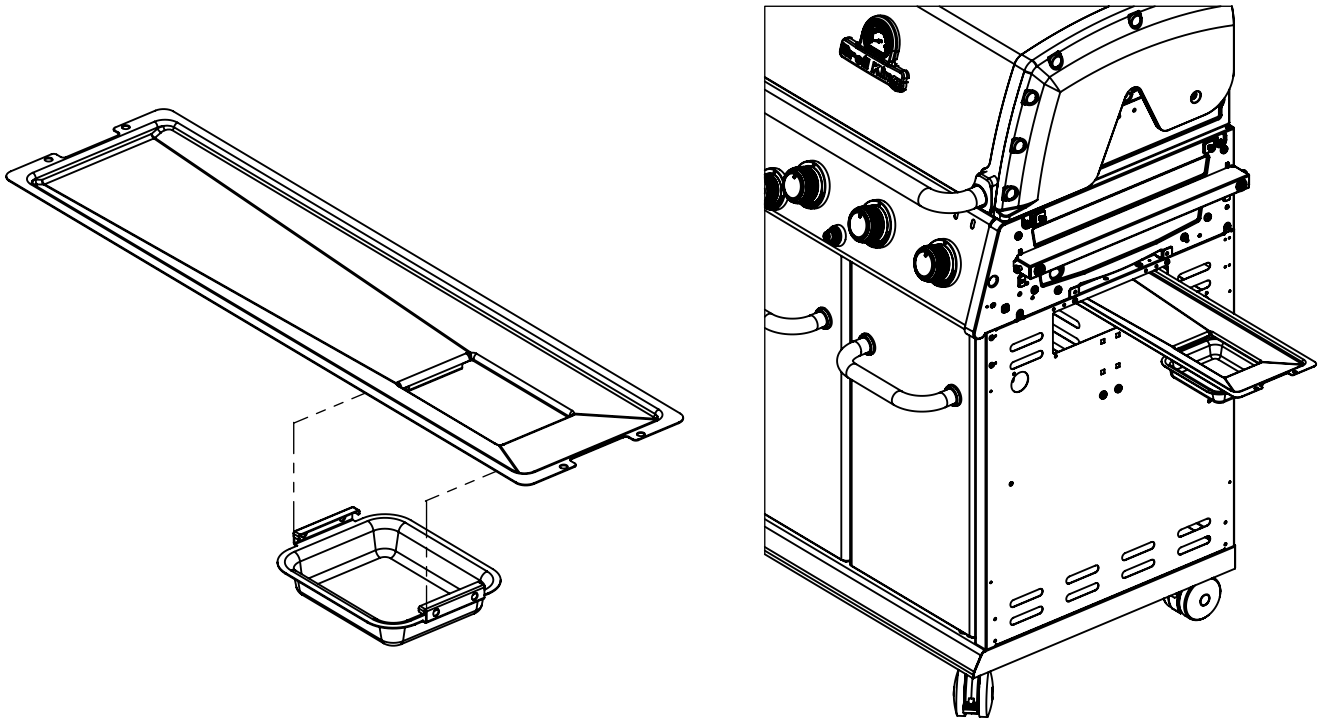
20



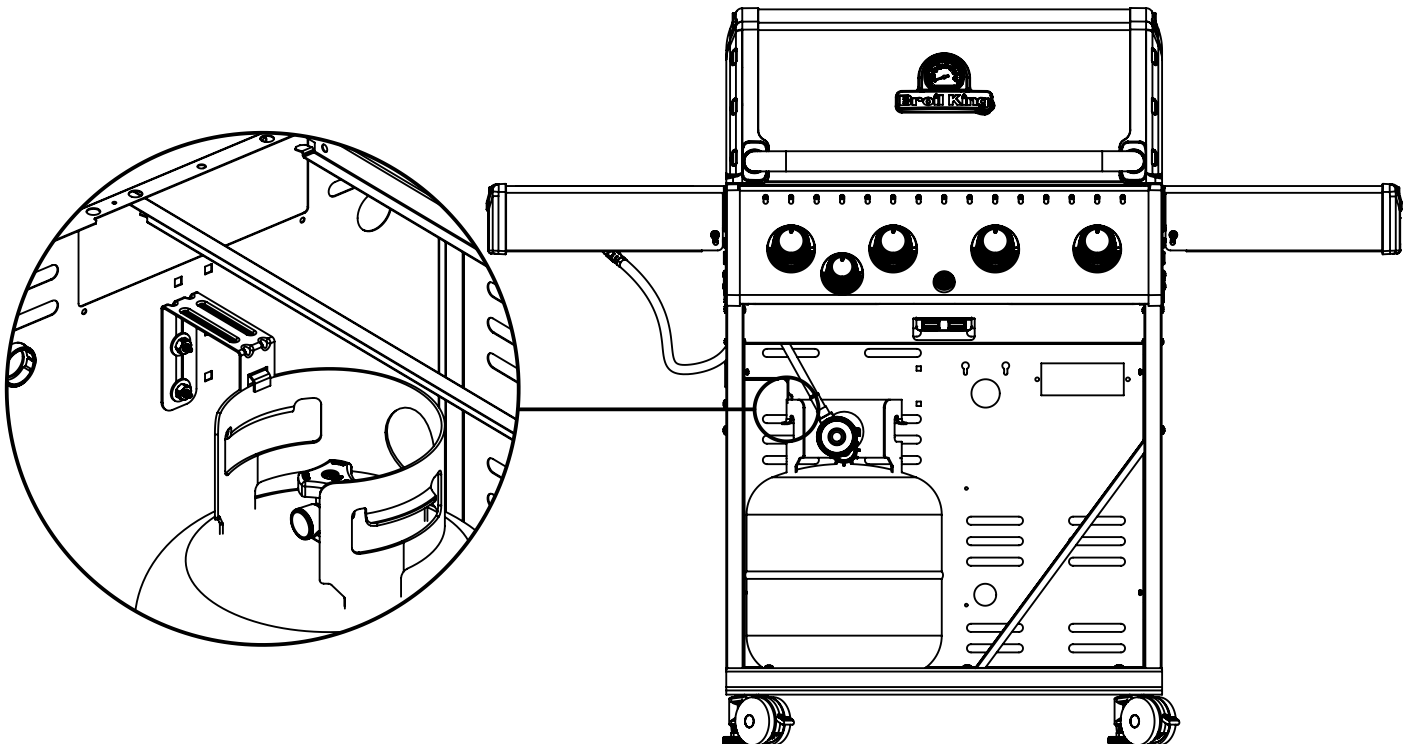
21



22



23



KEY #	ITEM #	DESCRIPTION	DESCRIPTION	DESCRIPCIÓN	9221-54	9221-57	9221-64	9221-67	9225-64	9225-67
1	56144-231	LID - SIDE PANEL - LEFT	COUVERCLE - PANNEAU LATÉRAL - GAUCHE	TAPA - PANEL LATÉRAL - IZQUIERDA	1	1	1	1	1	1
2	56144-211	LID - SIDE PANEL - RIGHT	COUVERCLE - PANNEAU LATÉRAL - DROITE	TAPA - PANEL LATÉRAL - DERECHA	1	1	1	1	1	1
3	56345-211	LID - OUTER PANEL	COUVERCLE - PANNEAU EXTERIEUR	TAPA - PANEL EXTERIOR	1	1	1	1	•	•
	56345-214				•	•	•	•	1	1
4	56245-21	LID - INNER PANEL	COUVERCLE - PANNEAU INTÉRIEUR	TAPA - PANEL INTERIOR	1	1	1	1	1	1
5	24005-12A	HANDLE	POIGNÉE	MANGO	1	1	1	1	1	1
6	54009-936	HANDLE BEZEL	MONTURE DE POIGNÉE	BISEL DEL MANGO	2	2	2	2	2	2
8	10081-BK630	NAMEPLATE	PLAQUE D'IDENTIFICATION	PLACA CON NOMBRE	1	1	1	1	1	1
9	10571-6	HEAT INDICATOR	INDICATEUR DE CHALEUR	INDICADOR DE TEMPERATURA	1	1	1	1	1	1
11	52150-931	PANEL - SIDE UPPER - LEFT	PANNEAU - LATÉRAL SUPÉRIEUR - GAUCHE	PANEL - LATÉRAL SUPERIOR - IZQUIERDO	1	1	1	1	1	1
12	52150-911	PANEL - SIDE UPPER - RIGHT	PANNEAU - LATÉRAL SUPÉRIEUR - DROITE	PANEL - LATÉRAL SUPERIOR - DERECHO	1	1	1	1	1	1
14	52205-111	PANEL INNER - FRONT	PANNEAU INTÉRIEUR - FRONTAL	PANEL INTERIOR - FRENTE	1	1	1	1	1	1
15	52205-121R	PANEL INNER - REAR	PANNEAU INTÉRIEUR - RECIPIENT	PANEL INTERIOR - TRASERO	1	1	1	1	1	1
16	52139-201	FIREBOX BRACKET	FOYER SUPPORT	FUEGO CAJA SOPORTE	8	8	8	8	8	8
17	27245-904	GREASE SHEILD	PROTECTION CONTRE LA GRAISSE	PROTECTOR CONTRA GRASA	1	1	1	1	1	1
18	52065-91	HEAT SHEILD - FRONT	PROTECTION CONTRE LA CHALEUR - FRONTAL	PROTECTOR CONTRA CALOR - FRENTE	1	1	1	1	1	1
19	52045-92	HEAT SHEILD - REAR	PROTECTION CONTRE LA CHALEUR - ARRIÈRE	PROTECTOR CONTRA CALOR - TRASERO	1	1	1	1	1	1
20	57159-111	CONTROL COVER - BRACKET	PANNEAU DE CONTROLE - SUPPORT	CUBIERTA DE CONTROL - SOPORTE						
22	52305-121R	PANEL - REAR	PANNEAU - RECIPIENT	PANEL - TRASERO	1	1	1	1	1	1
23	52315-151	PANEL - HOOD	PANNEAU DE LA CUVE	PANEL - CUBIERTA	1	1	1	1	1	1
25	52909-104LP	BURNER - MAIN	BRÛLEUR - PRINCIPAL	QUEMADOR - PRINCIPAL	4	•	4	•	4	•
	52909-104NG				•	4	•	4	•	4
26	22225-014	COLLECTOR BOX - FRONT LOWER	RECIPIENT - FRONTAL INFÉRIEUR	CAJA RECOLECTORA - DELANTERA INFERIOR	1	1	1	1	1	1
27	22215-014	COLLECTOR BOX - FRONT UPPER	RECIPIENT - FRONTAL SUPÉRIEUR	CAJA RECOLECTORA - DELANTERA SUPERIOR	1	1	1	1	1	1
28	52025-244BAR	CONTROL COVER	PANNEAU DE CONTROLE	CUBIERTA DE CONTROL	•	•	1	1	1	1
	52025-124BAR				1	1	•	•	•	•
29	59005-034	CONTROL ASSEMBLY	SOUPAPE	MECANISMO DE CONTROL	•	•	1	•	1	•
	59005-037				•	•	•	1	•	1
	59005-014				1	•	•	•	•	•
	59005-017				•	1	•	•	•	•
30	S13470-091	HOSE - SIDE BURNER	TUYAU - BRÛLEUR DE CÔTÉ	MANGUERA - QUEMADOR LATÉRAL	1	•	1	•	1	•
	S13470-132				•	1	•	1	•	1
31	10114-20	HOSE & REGULATOR	TUYAU ET REGULATEUR PL	MANGUERA Y REGULADOR	1	•	1	•	1	•
	10111-K45	NATURAL GAS HOSE	TUYAU DE GAZ NATUREL	MANGUERA PARA GAS NATURAL	•	1	•	1	•	1
38	22002-268	CONTROL BEZEL	MONTURE DE CONTROLE	BISEL DE CONTROL	4	4	4	4	4	4
39	22001-168	CONTROL BEZEL	MONTURE DE CONTROLE	BISEL DE CONTROL	1	1	1	1	1	1
40	22001-768	CONTROL KNOB	BOUTON DE CONTROLE	PERILLA DE CONTROL	4	4	4	4	4	4
41	22001-668	CONTROL KNOB	BOUTON DE CONTROLE	PERILLA DE CONTROL	1	1	1	1	1	1
42	10342-246	ELECTRONIC IGNITOR	ALLUMAGE ÉLECTRONIQUE	ENCENDEDOR ELECTRÓNICO	1	1	1	1	1	1
43	10342-E13	ELECTRODE	ÉLECTRODE	ELECTRODO	2	2	2	2	2	2
44	52209-404	FLAV-R-WAVE ®	FLAV-R-WAVE ®	FLAV-R-WAVE ®	4	4	4	4	4	4
45	52005-281	GRID	GRILLE	REJILLA	2	2	2	2	2	2
46	52005-991	GRID - WARMING RACK	GRILLE - MAINTIEN AU CHAUD	REJILLA - ESTANTE PARA CALENTAR	1	1	1	1	1	1
47	27055-902	GREASE TRAY	PLATEAU A GRAISSE	BANDEJA RECOLECTORA DE GRASA	1	1	1	1	1	1
48	21035-991	GREASE TRAY - RAIL	PLATEAU A GRAISSE - FERROVIAIRE	BANDEJA RECOLECTORA DE GRASA - SOPORTE	2	2	2	2	2	2
49	22009-902	GREASE PAN	CUVETTE A GRAISSE	BANDEJA PARA LA GRASA	1	1	1	1	1	1
50	51175-131A	DOOR -LEFT	PORTE - GAUCHE	PUERTA - IZQUIERDA	1	1	1	1	1	1
51	51175-111A	DOOR - RIGHT	PORTE - DROIT	PUERTA - DERECHO	1	1	1	1	1	1
55	21071-13	DOOR HANDLE	POIGNÉE DE LA PORTE	TIRADOR DE PUERTA	2	2	2	2	2	2
56	21070-13	HANDLE BEZEL	MONTURE DE POIGNÉE	TIRADOR BEZEL	4	4	4	4	4	4
60	21109-905R	CABINET - SIDE PANEL	CABINET - PANNEAU LATÉRAL	ARMARIO - PANEL LATÉRAL	2	2	2	2	2	2
61	21305-925R	CABINET - REAR PANEL	CABINET - PANNEAU ARRIÈRE	ARMARIO - PANEL TRASERO	1	1	1	1	1	1

<u>KEY #</u>	<u>ITEM #</u>	<u>DESCRIPTION</u>	<u>DESCRIPTION</u>	<u>DESCRIPCIÓN</u>	<u>9221-54</u>	<u>9221-57</u>	<u>9221-64</u>	<u>9221-67</u>	<u>9225-64</u>	<u>9225-67</u>
65	51615-245	CABINET - LOWER BASE	TABLETTE INFÉRIEURE	ARMARIO - BASE INFERIOR	1	1	1	1	1	1
66	21009-951	TANK BRACKET	SUPPORT DU RESERVOIR	SOPORTE TANQUE	1	1	1	1	1	1
67	51335-211	MAGNET BRACKET	MAGNET SUPPORT	SOPORTE IMAN	1	1	1	1	1	1
68	57139-111	CABINET BRACKET	CABINET SUPPORT	SOPORTE ARMARIO	4	4	4	4	4	4
73	51039-951	CASTER BRACKET	SUPPORT DE ROULLETTE	SOPORTE DE RUEDA	4	4	4	4	4	4
74	10892-23	CASTER	ROULETTES	RUEDA	2	2	2	2	2	2
75	10892-285	CASTER LEVELING	ROULETTES	RUEDA DE NIVELACIÓN	2	2	2	2	2	2
77	51239-901	BRACKET	SUPPORT	SOPORTE	1	1	1	1	1	1
80	53050-614	SIDE SHELF	TABLETTE DE CÔTÉ	ESTANTE LATERAL	2	2	1	1	1	1
84	53050-654	SIDE SHELF - SIDE BURNER	TABLETTE DE CÔTÉ - BRÛLEUR DE CÔTÉ	ESTANTE LATERAL - QUEMADOR LATERAL	•	•	1	1	1	1
85	53409-138	SIDE SHELF - END CAP	TABLETTE DE CÔTÉ - FASCIA	ESTANTE LATERAL - TAPA DE EXTREMO	2	2	2	2	2	2
86	10390-E10	SIDE BURNER	BRÛLEUR DE CÔTÉ	QUEMADOR LATERAL	•	•	1	1	1	1
87	23000-271	SIDE BURNER - BODY	BRÛLEUR DE CÔTÉ - CORPS	QUEMADOR LATERAL - CUERPO	•	•	1	1	1	1
88	23000-254	SIDE BURNER - COVER	BRÛLEUR DE CÔTÉ - COUVERCLE	QUEMADOR LATERAL - CUBIERTA	•	•	1	1	1	1
89	53140-981	SIDE BURNER GRID	BRÛLEUR DE CÔTÉ - GRILLE	REJILLA DEL QUEMADOR LATERAL	•	•	1	1	1	1
92	10342-T21	SIDE BURNER ELECTRODE	ÉLECTRODE DU BRÛLEUR DE CÔTÉ	ELECTRODO DEL QUEMADOR LATERAL	•	•	1	1	1	1
93	53235-20	PIVOT BRACKET	PIVOT SUPPORT	FIJACION OSCILANTE	2	2	2	2	2	2
100	Y-12220	GROMMET	PASSE	OJAL	•	•	1	1	1	1
130	Y-12835	SCREW - #6 X 1/4	VIS - #6 X 1/4	TORNILLO - #6 X 1/4	•	•	2	2	2	2
131	S21125	SCREW - #8 X 3/8	VIS - #8 X 3/8	TORNILLO - #8 X 3/8	22	22	22	22	22	22
132	S21124	SCREW - #8 X 1/2	VIS - #8 X 1/2	TORNILLO - #8 X 1/2	10	10	10	10	10	10
133	Y-12646	SCREW - SHOULDERS #8 X 1/2	VIS - SHOULDER #8 X 1/2	TORNILLO - DE HOMBRO #8 X 1/2	10	10	10	10	10	10
134	Y-29304	SCREW - #10-24 X 3/8	VIS - #10-24 X 3/8	TORNILLO - #10-24 X 3/8	14	14	14	14	14	14
135	S35094	SCREW - #10-24 X 5/8	VIS - #10-24 X 5/8	TORNILLO - #10-24 X 5/8	1	1	1	1	1	1
136	Y-29310	SCREW - #10-24 X 3/4	VIS - #10-24 X 3/4	TORNILLO - #10-24 X 3/4	4	4	4	4	4	4
137	Y-12865	SCREW - 1/4-20 X 1/2	VIS - 1/4-20 X 1/2	TORNILLO - 1/4-20 X 1/2	58	58	58	58	58	58
140	Y-12310	SCREW - 1/4-20 X 3/4	VIS - 1/4-20 X 3/4	TORNILLO - 1/4-20 X 3/4	4	4	4	4	4	4
142	Y-11562	SCREW - 1/4-20 X 2 1/2	VIS - 1/4-20 X 2 1/2	TORNILLO - 1/4-20 X 2 1/2	4	4	4	4	4	4
145	Y-11546	SCREW - SHOULDER 1/4-20 X 5/8	VIS - SHOULDER 1/4-20 X 5/8	TORNILLO - DE HOMBRO 1/4-20 X 5/8	10	10	10	10	10	10
150	Y-29307	NUT - #10-24	ÉCROU - #10-24	TUERCA - #10-24	2	2	2	2	2	2
151	Y-11793	NUT - 1/4-20	ÉCROU - 1/4-20	TUERCA - 1/4-20	22	22	22	22	22	22
152	Y-11598	WING NUT - 1/4-20	ÉCROU AILE - 1/4-20	TUERCA - 1/4-20	1	1	1	1	1	1
153	Y-11795	NUT - 1/4-20 LOCK	NUT - 1/4-20 LOCK	TUERCA - 1/4-20 LOCK	2	2	2	2	2	2
160	S21255	WASHER	RONDELLE	ARANDELA	8	8	8	8	8	8
170	10240-23	HINGE PIN	GOUPILLE DE CHARNIÈRE	CLAVIJA DE BISAGRA	2	2	2	2	2	2
171	S21233	CLIP	CLIP	GANCHO	6	6	6	6	6	6
172	Y-29310	BURNER SCREW	VIS DU BRÛLEUR	TORNILLO DEL QUEMADOR	4	4	4	4	4	4
173	10240-19	DOOR HINGE PIN - TOP	CHARNIÈRE DE PORTE BROCHES - HAUT	BISAGRA PUERTA - TOPE	2	2	2	2	2	2
174	10240-20	DOOR HINGE PIN - BOTTOM	CHARNIÈRE DE PORTE BROCHES - BAS	BISAGRA PUERTA - TRASERO	2	2	2	2	2	2
176	Y-12124	DOOR HINGE COVER	CHARNIÈRE DE PORTE COUVRIR	BISAGRA PUERTA CUBIERTA	2	2	2	2	2	2
177	Y-12222	MAGNET	MAGNET	IMÁN	2	2	2	2	2	2
178	Y-12223	MAGNET - SNAP IN	MAGNET - SNAP IN	IMÁN - ENCAJE A PRESION	2	2	2	2	2	2
179	Y-11981	CHROME SCREW 1/4-20	CHROME SCREW 1/4-20	CHROME SCREW 1/4-20	18	18	18	18	18	18
180	SP11-25	LID BUMPER	BUTOIR DU COUVERCLE	TOPE DE LA TAPA	2	2	2	2	2	2
181	Y-11231	LID BUMPER - ROUND	BUTOIR DU COUVERCLE - CERCLE	TOPE DE LA TAPA - REDONDO	2	2	2	2	2	2
182	20005-000	MATCH LIGHT CHAIN	MATCH CHAINE LEGERE	CADENA PARA ENCENDEDOR	1	1	1	1	1	1

