

This Owner's Manual is provided and hosted by [Appliance Factory Parts](#).



Broil King 9578-44 Owner's Manual

[Shop genuine replacement parts for Broil King 9578-44](#)



[Find Your Broil King Grill Parts - Select From 1350 Models](#)

----- Manual continues below part list -----

Available Replacement Parts for Broil King 9578-44

| | |
|-----------------------------|--|
| 18013 | LARGE PROBE HEAT INDICATOR |
| 10081-BK630 | NAMEPLATE HI BROIL KING BLACK ZINC |
| S21124 | SCREW PHCP #8 X 12 + |
| Y-12220 | S/B BUSHING SB 1.375 16 HEY |
| S15236 | ROTISSERIE MOTOR AC 120V |
| S15263 | ROTISSERIE BUSHING |
| S15299 | WASHER COUNTERWEIGHT ROTIS |
| S15270 | ROTISSERIE COUNTERWEIGHT ASSY |
| S15271 | ROTISSERIE HANDLE + |
| Y-11987 | BOLT CARRIAGE 1/4-20x1.25 UNC+ |
| 18433 | OEM FLAV R WAVE - REGAL/IMPERIAL |
| Y-12223 | MAGNET SNAP IN - DOOR |
| Y-12222 | MAGNET - DOOR |
| 23000-253 | SIDE BURNER LID IR SS |
| 23000-271 | SIDE BURNER BODY BASE |
| 22009-901 | GREASE PAN FORMED + |
| Y-11567 | M8 SHOULDER M6 TYPE D SCREW |
| 10342-E13 | ELECTRODE W/WIRE |
| 10342-T18 | WIRE ELECTRODE S/B 600 + |
| 11051 | burner, Read Ext info please... |
| 99041 | heat plate, ss, 17.5625 x 6.3125 |
| 27005-91 | FIREBOX-HEAT SHIELD 500 4V .5 GALVALUM C |
| 27003-91 | HEAT SHIELD 250 .5 GALVALUM B |
| 22005-991 | WARMING RACK PORC COATED 500 |
| 29018-074 | CONTROL ASSEMBLY LP 6V + |
| 20809-957 | REAR BURNER TUBE ASSMBLY W/COMP. FITTING |
| 10693-109 | ORIFICE SPUD RB 1.09MM 5/16 32 |
| S15260 | SPIT ROD ROTISSERIE 750 45 INCH |
| 10240-20 | DOOR PIN TOP |
| 10240-19 | DOOR PIN BOTTOM |

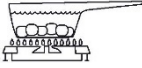
| | |
|----------------------------|--|
| 27055-901 | GREASE TRAY PORC FORMED 440 + |
| 21175-111A | DOOR ASSEMBLY RIGHT BLACK |
| 67845 | grid, ci, 19.1875 x 30.3125; Master Forg |
| 5S672 | grid, ss wire, 17.375 x 26.25; Grill Mas |
| 11229 | EXACT FIT CAST GRID - REGAL/IMPERIAL |
| 00475 | heat indicator |
| 21039-911 | CASTER BRACKET BLACK |
| 20005-000 | HARDWARE BAG STICK & CHAIN SS |
| Y-99100 | DRAWER SLIDE SET LEFT & RIGHT HAND 20 IN |
| 10240-17 | HINGE PIN 750 DUAL |
| 10892-23 | CASTER RUBBER 3 INCH W/PLATE |
| 23002-201 | CAST FACIA TOOL HOOK BLK CHR |
| 26009-917 | HANDLE END CAP CHROME + |
| Y-99101 | DRAWER SLIDE SET LHS & RHS 16 INCH |
| 18633 | BURNER - REGAL/IMPERIAL |
| 22003-991 | GRID - WARMING RACK 250 PORC |
| 82315-021 | COOKBOX 500 HOOD PANEL PORC |
| 25080-90 | TRANSFORMER ASSY GPB |
| 21175-131A | DOOR ASSEMBLY LEFT BLACK |
| 21175-114A | DOOR ASSEMBLY RHS SS (ROUND) 250/500/750 |
| 21175-134A | DOOR ASSEMBLY LHS SS (ROUND) 250/500/750 |
| 86101-631 | LID END CAP LHS METALLIC BLACK |
| 86101-611 | LID END CAP RHS METALLIC BLACK |
| SP11-25 | STOP BUMPER - SILICONE |
| 21079-906 | HANDLE SEAT CABINET 430SS + |
| 08032 | BURNER CROSSOVER BAR, SS |
| 10892-285 | CASTER 3 INCH RUBBER W/LEG LEVEL |
| 22001-164 | BEZEL SS FLAT SML + 250/500/625/750 A |
| 22002-264 | BEZEL SS FLAT LRG + 250/500/625/750 A |
| 57039-901 | ROTISSERIE BRACKET BLK |
| 82305-021R | FIREBOX 500 REAR PANEL PNTD W/RIVNUTS |
| S15508 | REAR BURNER ELECTRODE WIRE + |
| Y-11981 | BOLT CARRIAGE 1/4-20 x 1 UNC |

| | |
|----------------------------|--|
| 50502 | HEAVY DUTY MEAT FORKS |
| 10342-45 | IGNITOR - QUINTUPLE |
| 10342-E22 | ELECTRODE W/WIRE 22 INCH |
| 10390-R81A | SIDE BURNER ASSY |
| 21171-23 | HANDLE CABINET A |
| 21335-111 | TOP MAGNET BRACKET 500 BLACK |
| 22001-669 | CONTROL KNOB SML I CLEAR |
| 22001-769 | CONTROL KNOB LRG I CLEAR |
| 22022-284 | GRID SS 9MM DBL WIDE 500/625/750 |
| 25020-84 | LED WIRE HARNESS 4 BULB |
| 25070-92 | WIRING HARNESS + |
| 25070-93 | IGNITOR BUTTON & WIRE IR SS + |
| 25070-95 | LIGHT SWITCH I/R SS W/LED RING |
| 27028-493 | CONTROL COVER I 790 SS LIGHTS |
| 86305-611 | LID OUTER 500 BLACK |
| 12023-103 | COLLECTOR BOX ASSY 250 SS |
| 23009-99 | SIDE BURNER TRIVET CI |
| 23102-813 | SIDE SHELF ASSY RHS W/DRAWER |
| 23729-613 | SHELF SUPPORT RHS BOTTOM BRKT |
| 10111-K45 | HOSE 3/8 INCH ASSEMBLY NG 10 FOOT + |
| Y-11990 | NUT HEX BRASS 3/8 27 RB LINE |
| 21035-991 | GREASE RAIL 440/500 SABLE BLK |
| 21009-951 | TANK COLLAR CLAMP 625/750 BLK PULL OUT |
| 27905-354 | BURNER TUBE REAR 500 W/WINDSHIELD |
| 10111-15A | HOSE ASSEMBLY SS |
| 10114-16 | HOSE & REG ASSY 17 INCH LP + |
| 27249-904 | GREASE SHIELD MODULAR, 6.5 x 6 |
| 22025-903 | COLLECTOR BOX ASSY 500 430SS |

Broil King®

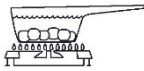
ASSEMBLY MANUAL & PARTS LIST

MANUEL DE MONTAGE & LISTE DE PIÈCES



Broil King Imperial™

XL
9577-44
9577-47



Broil King Imperial™

XLS
9578-44
9578-47

RETAIN FOR FUTURE REFERENCE

VEUILLEZ CONSERVER POUR REFERENCE ULTERIEURE

ASSEMBLY VIDEO

VIDÉO MONTRANT
L'ASSEMBLAGE

VIDEO DE
ENSAMBLAJE



BROILKINGBBQ.COM

Onward
MANUFACTURING COMPANY
SINCE 1906
1000 EAST MARKET STREET
HUNTINGTON, INDIANA, 46750, USA

info@omcbbq.com
1-800-265-2150

20084-E87 REV G 10/14



HARDWARE INCLUDED / MATERIAL INCLUS / EQUIPOS INCLUIDO



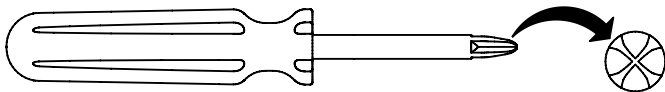
| | | | | | |
|-----------|--|-----|---------|----|----|
| Y-12865 | | X24 | Y-11546 | | X2 |
| S21255 | | X2 | Y-11795 | | X2 |
| Y-12127 | | X1 | Y-29310 | | X4 |
| Y-29304 | | X4 | S35094 | | X2 |
| S21061 | | X2 | S35095 | | X2 |
| 20005-000 | | | | X2 | |



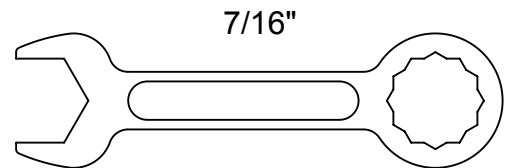
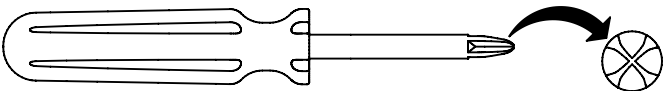
TOOLS REQUIRED / OUTILS NECESSAIRES / HERRAMIENTAS NECESARIAS



#3 PHILLIPS

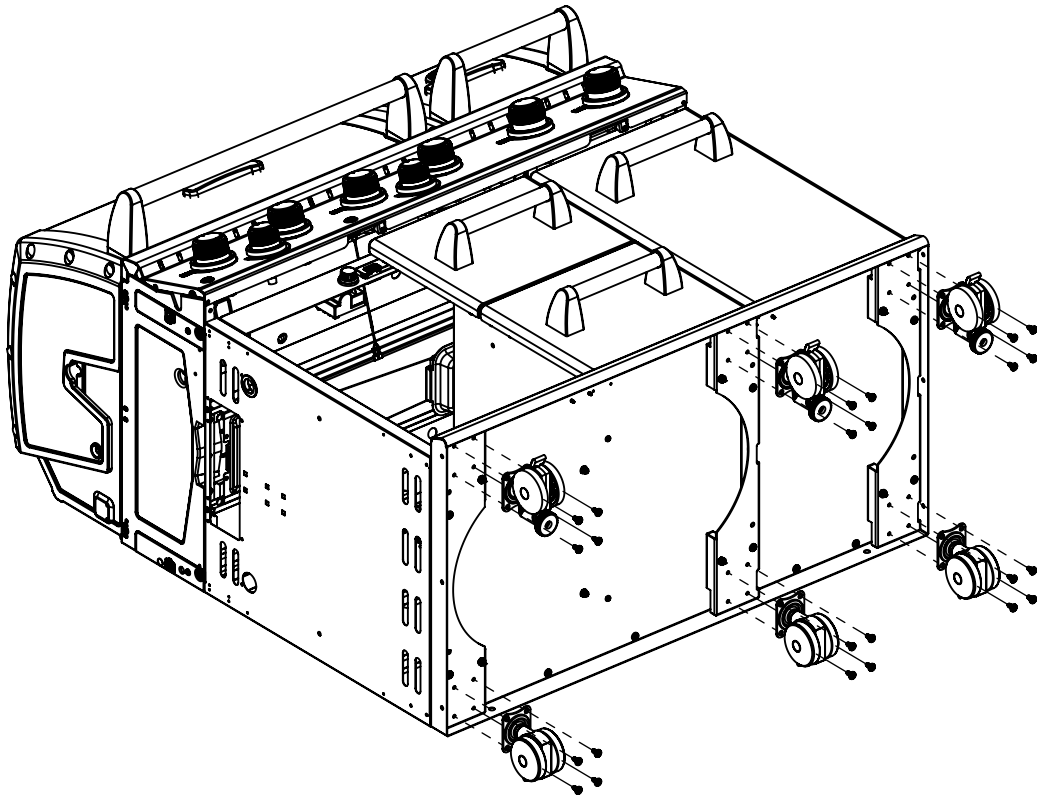


#2 PHILLIPS

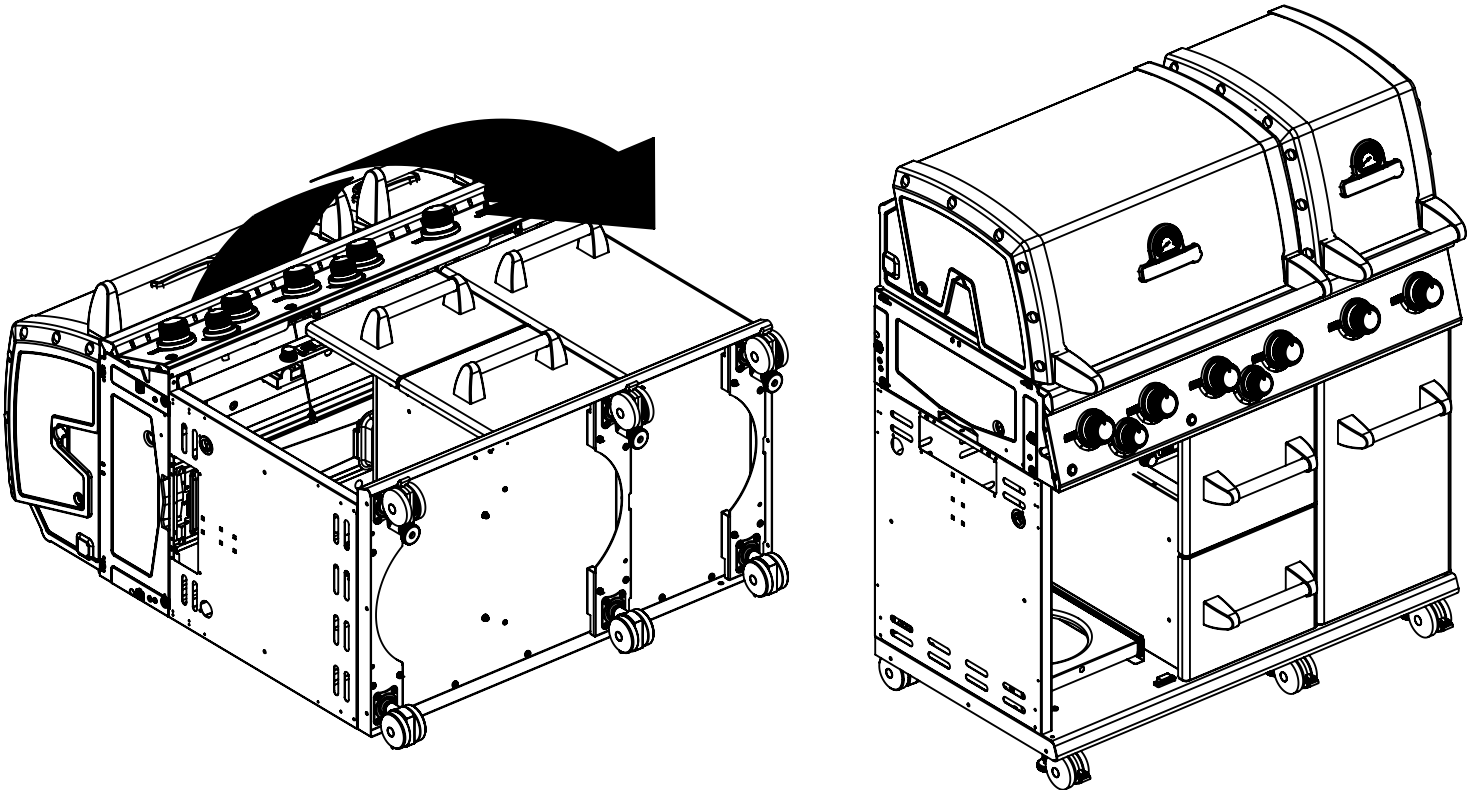


1

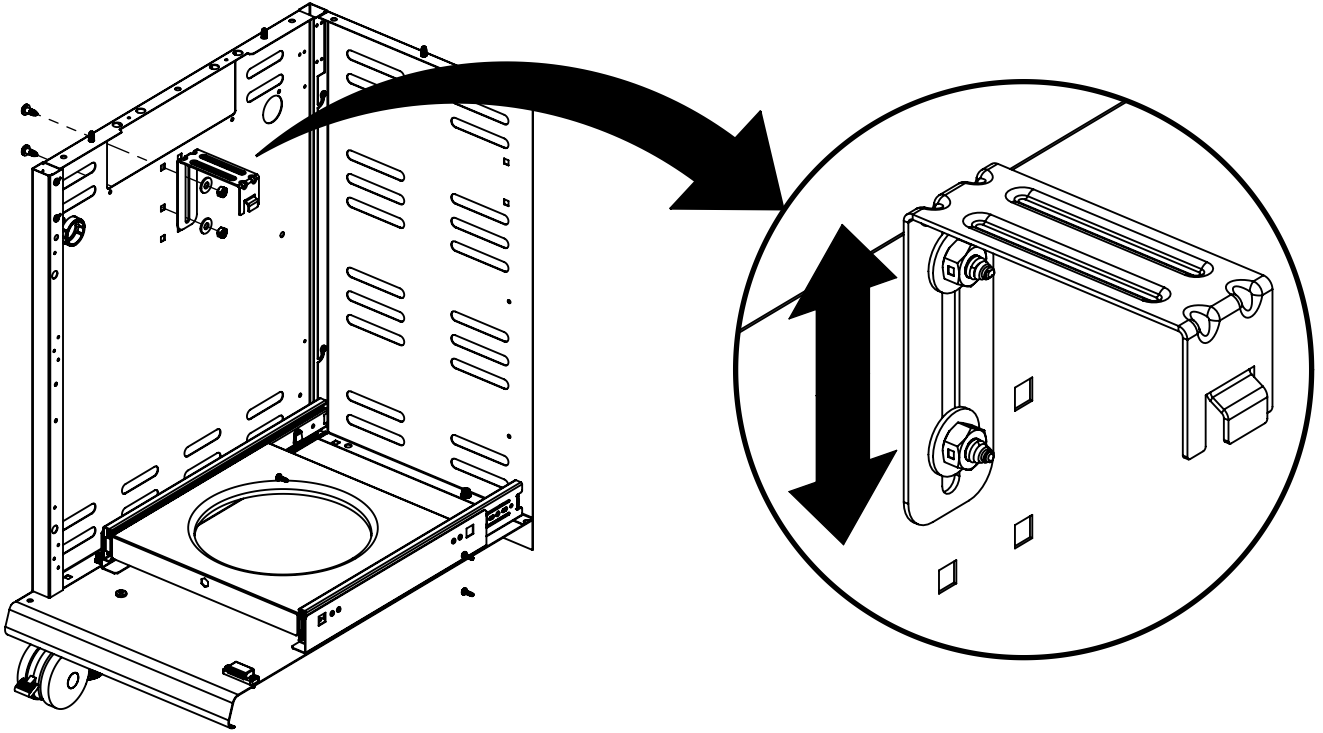
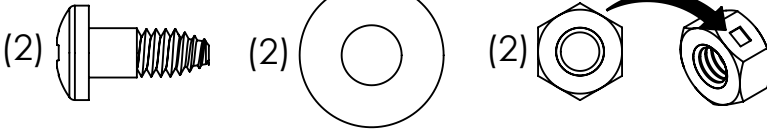
(24)



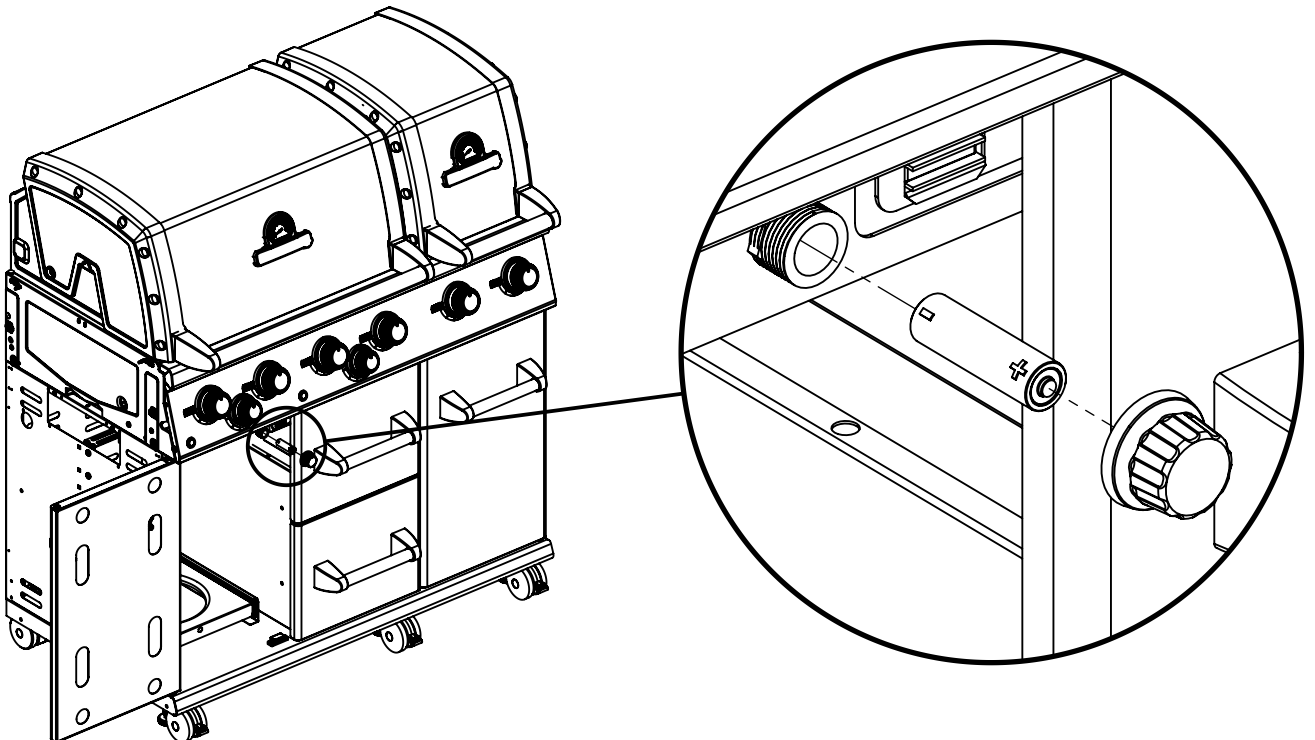
2



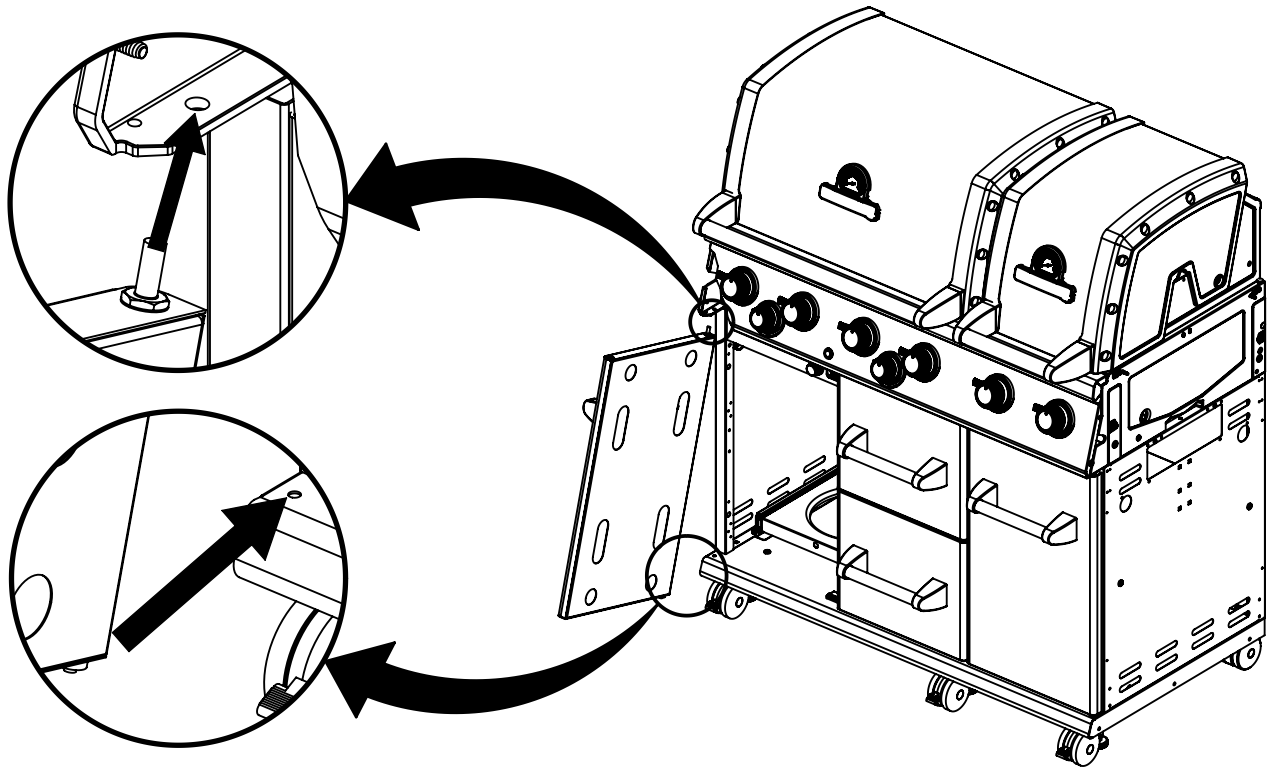
3



4

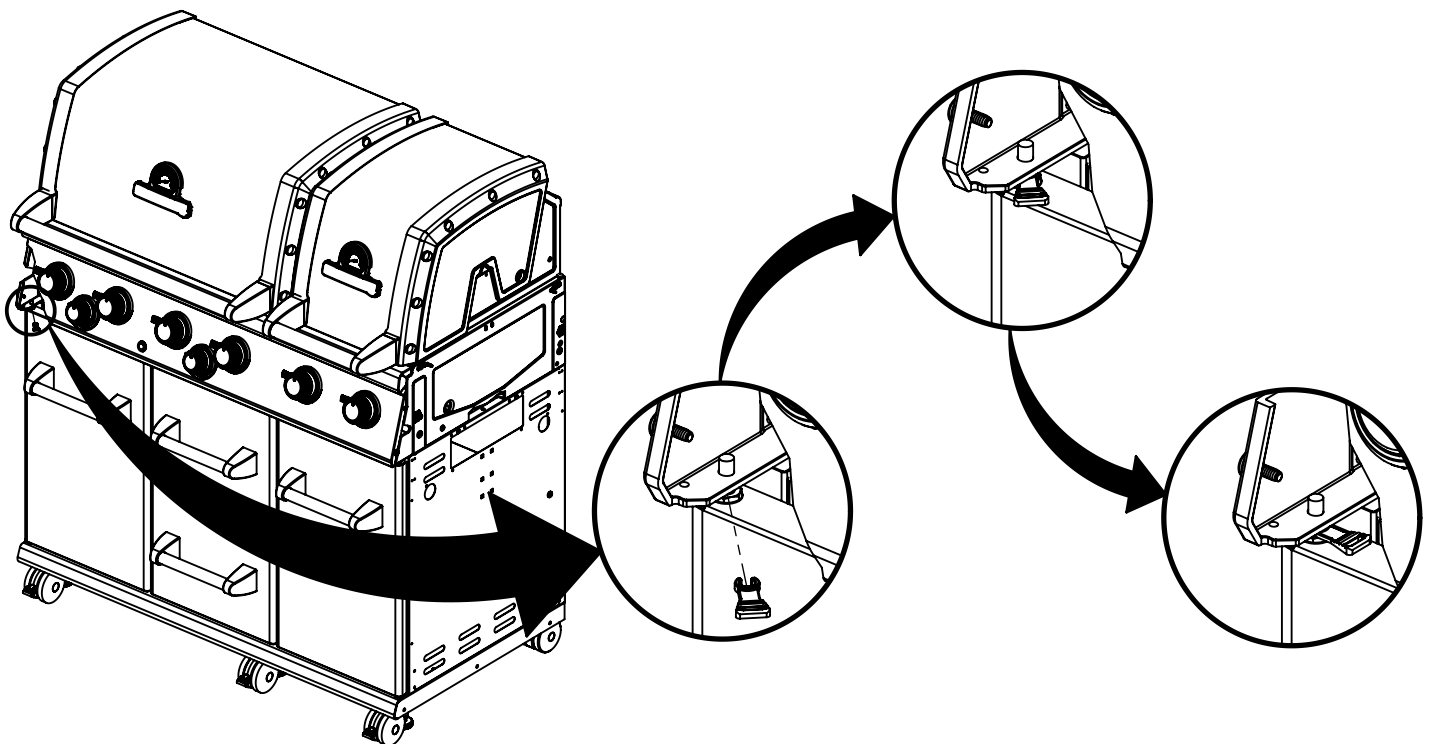
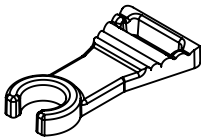


5

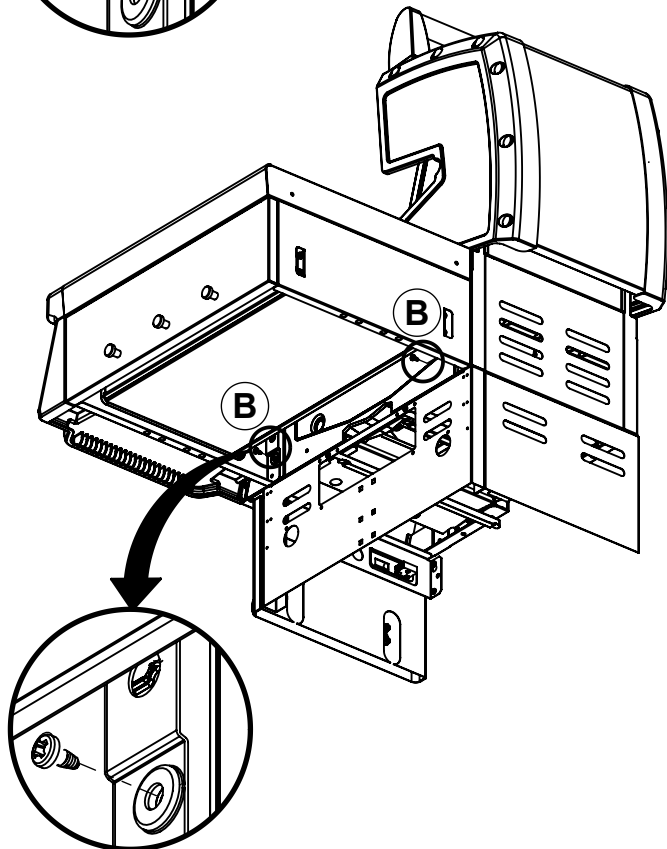
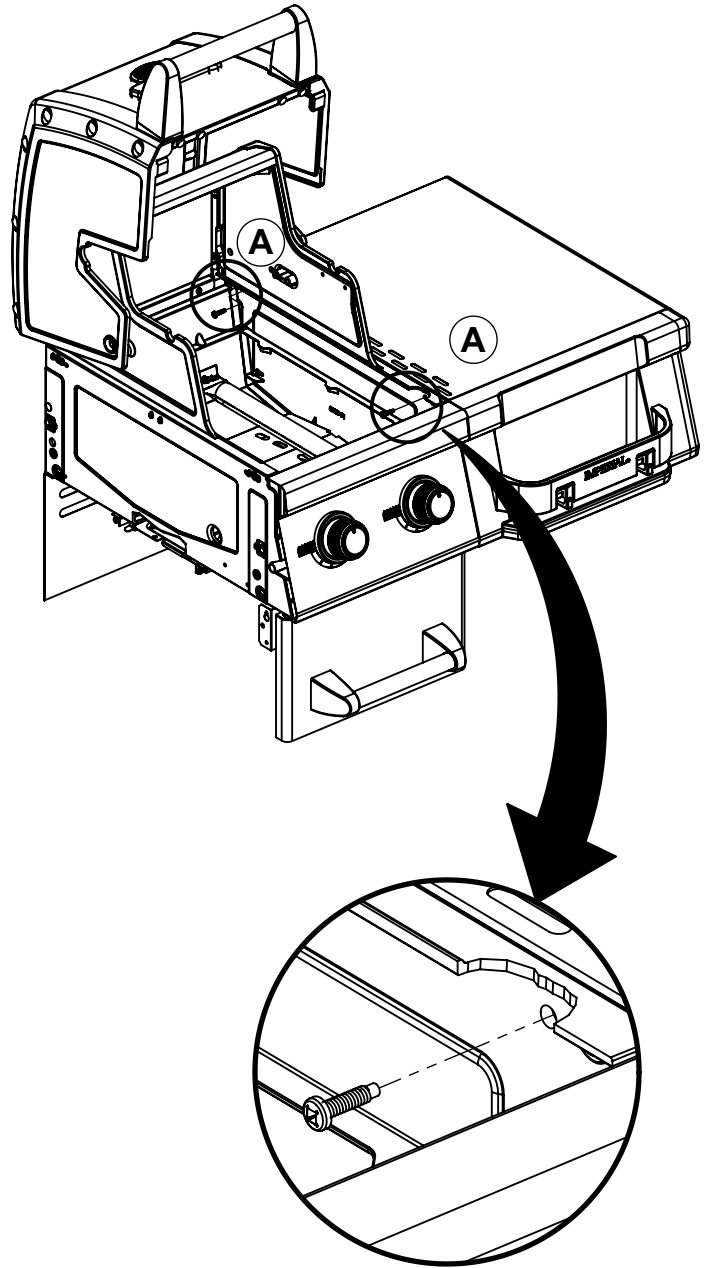
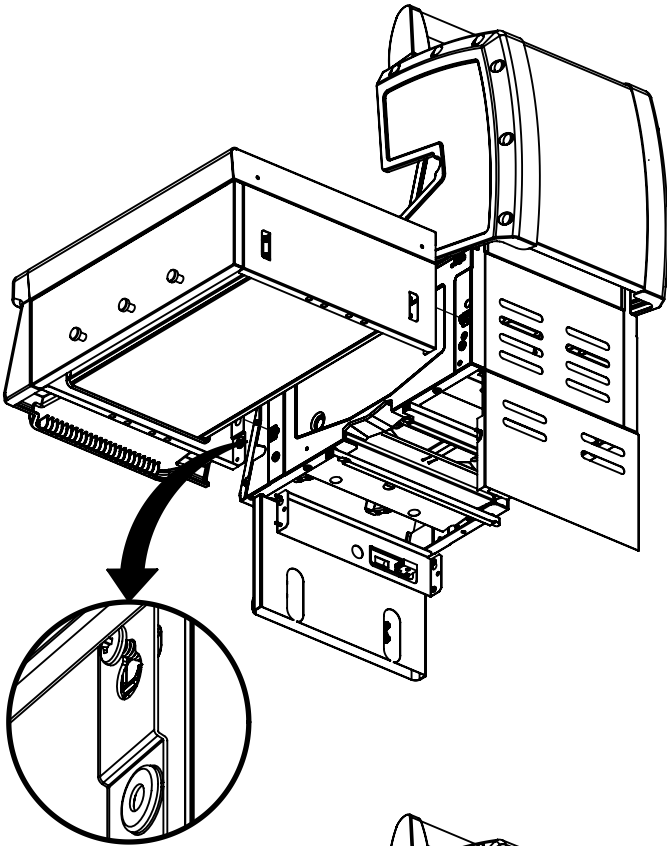
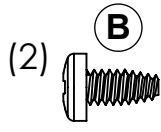
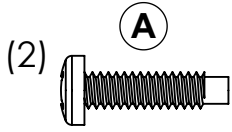


6

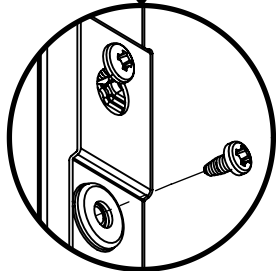
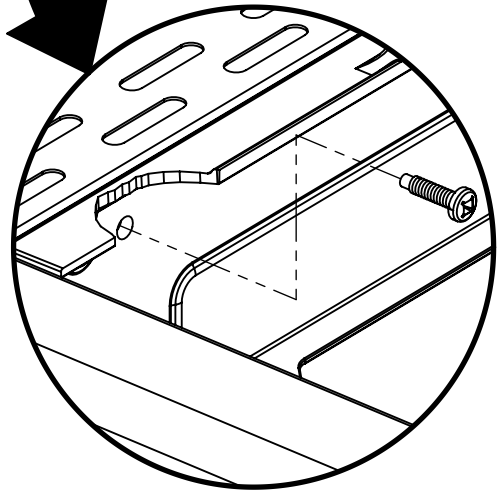
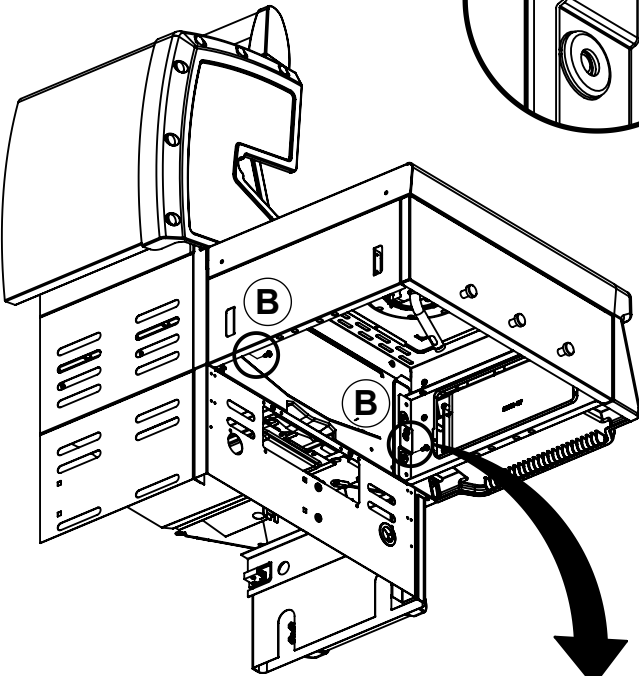
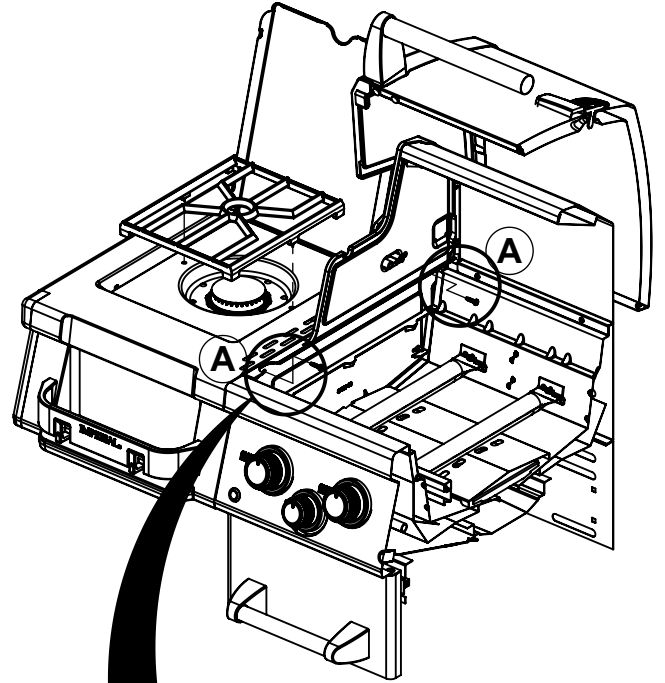
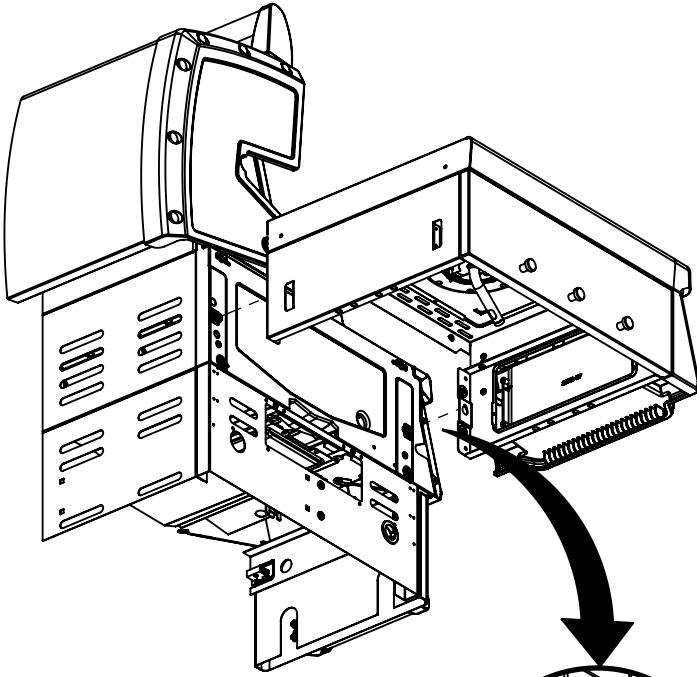
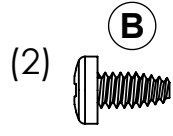
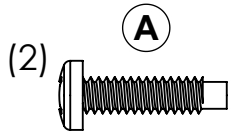
(1)



7

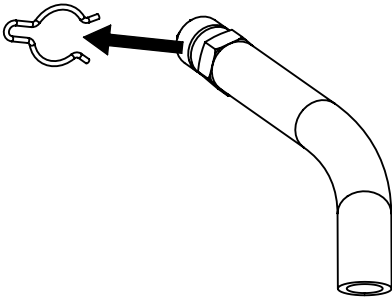
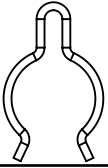


8

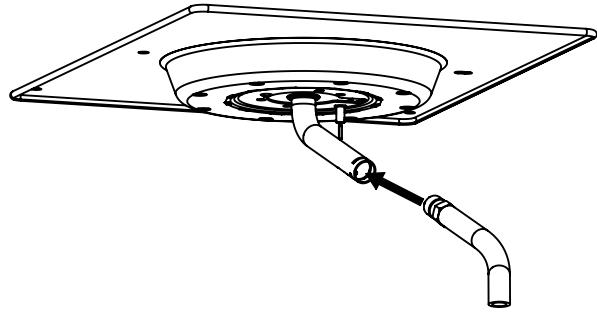


9

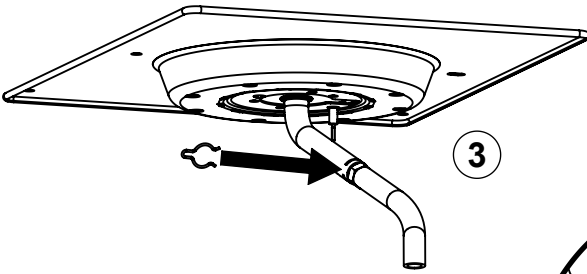
(1)



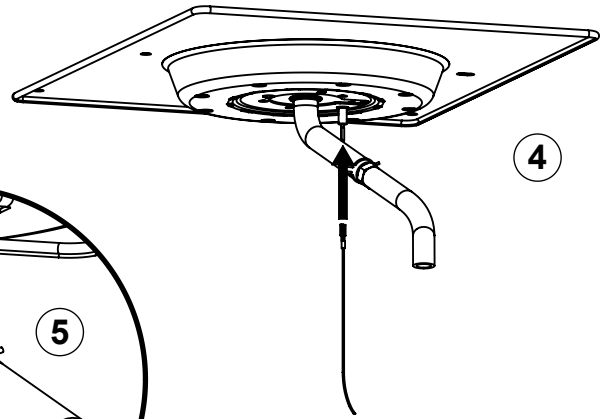
1



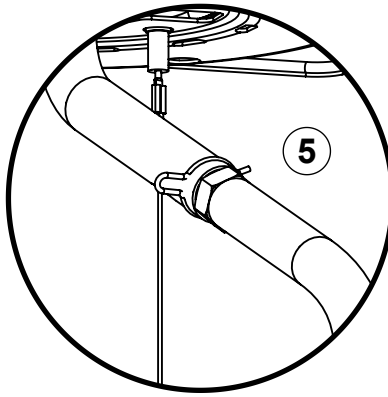
2



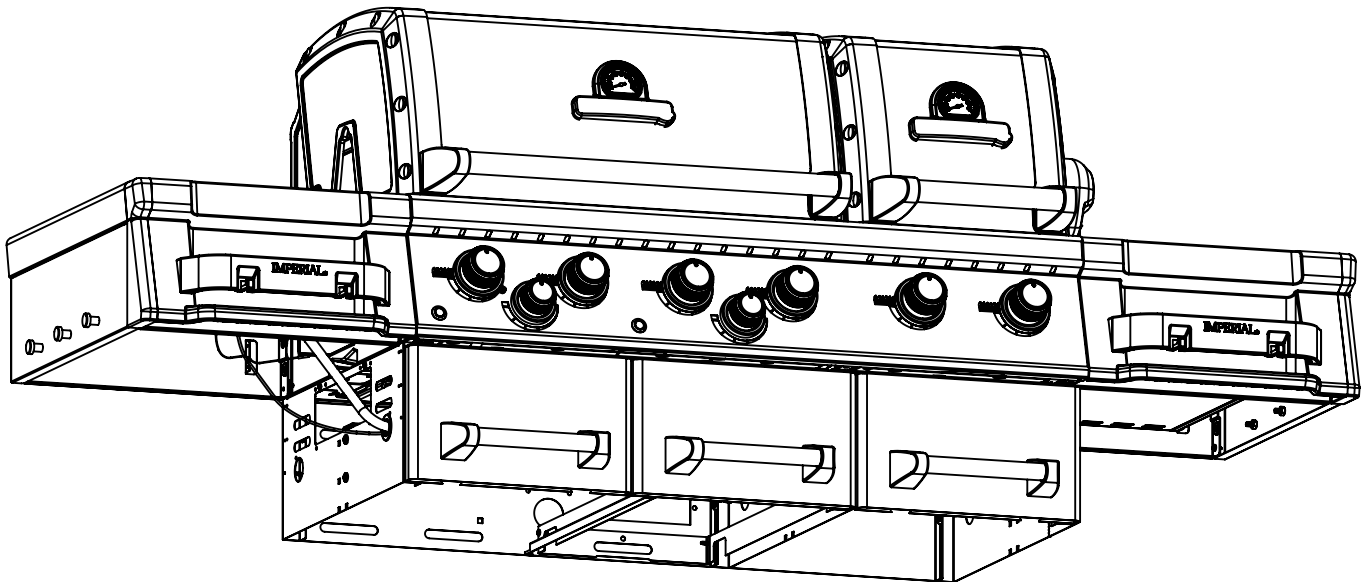
3

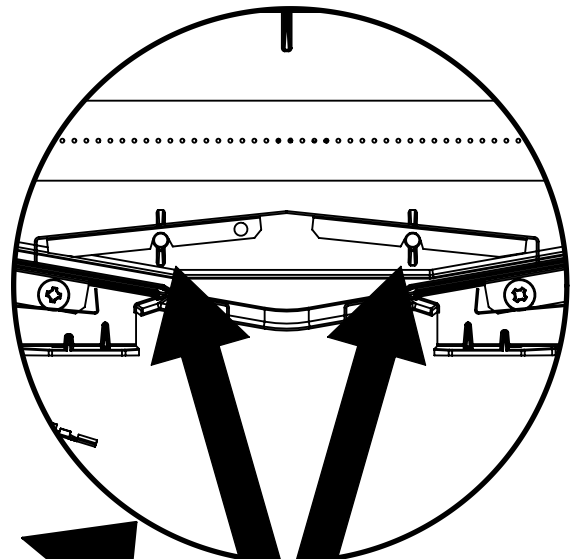
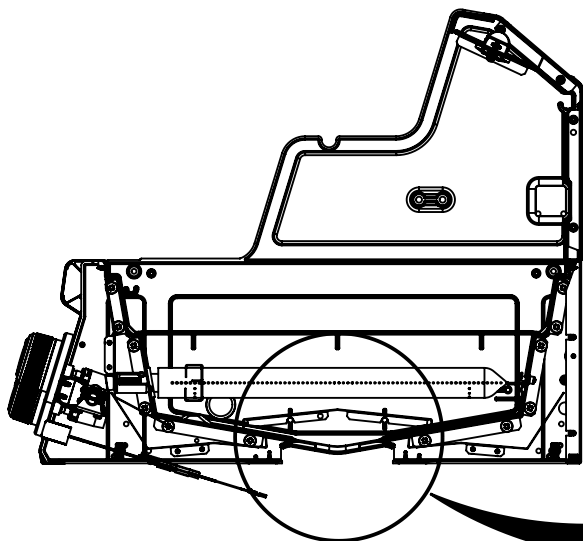
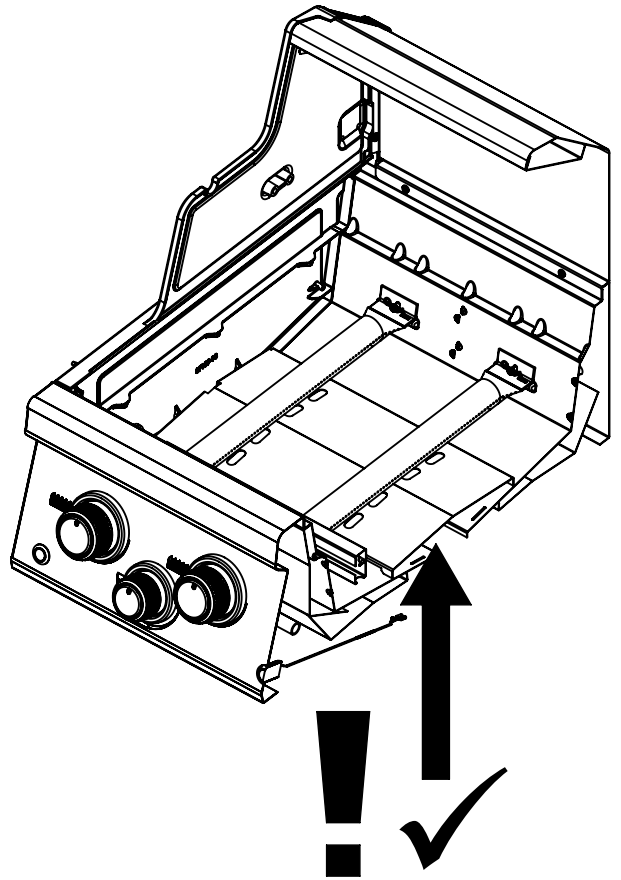
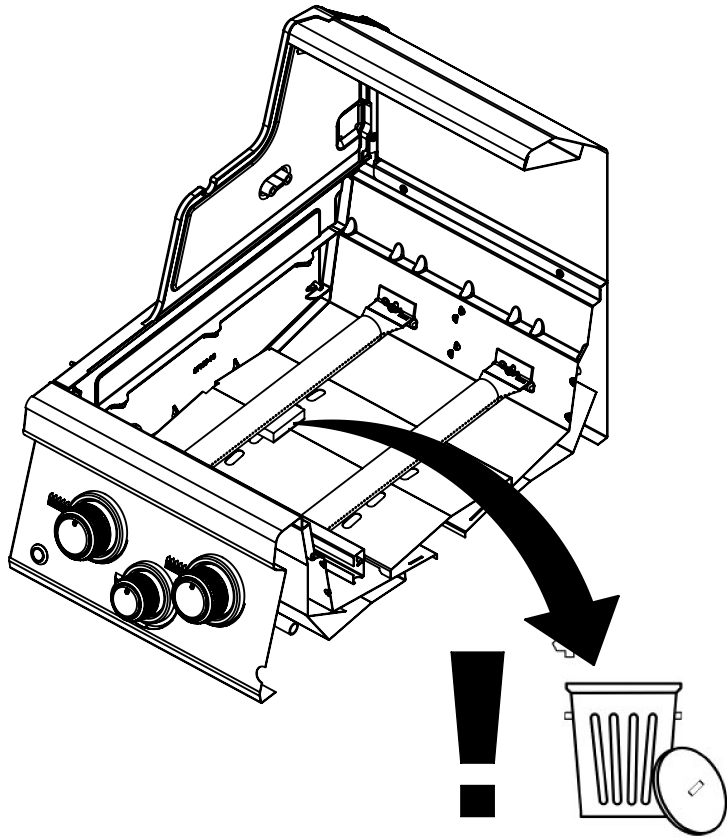


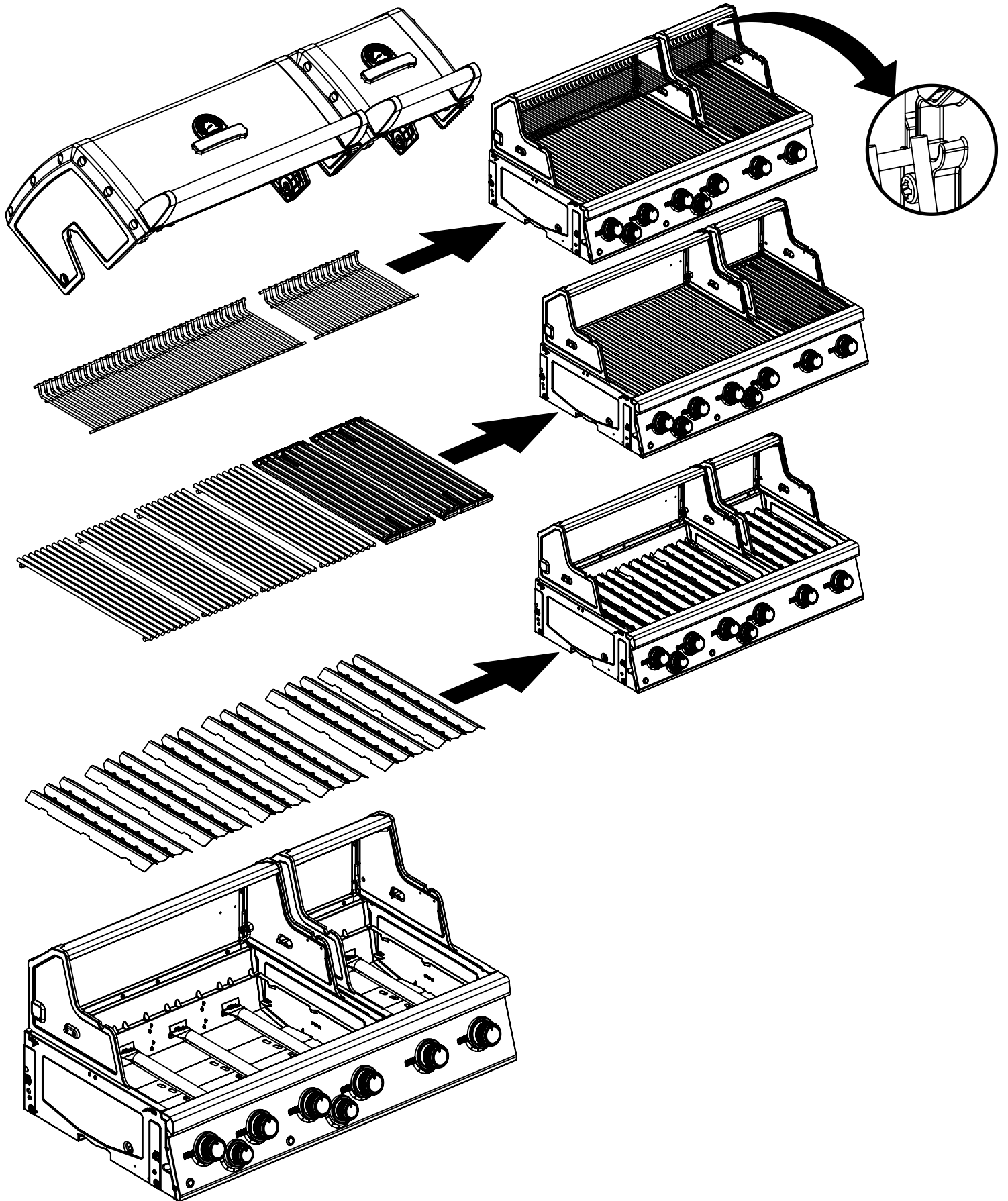
4



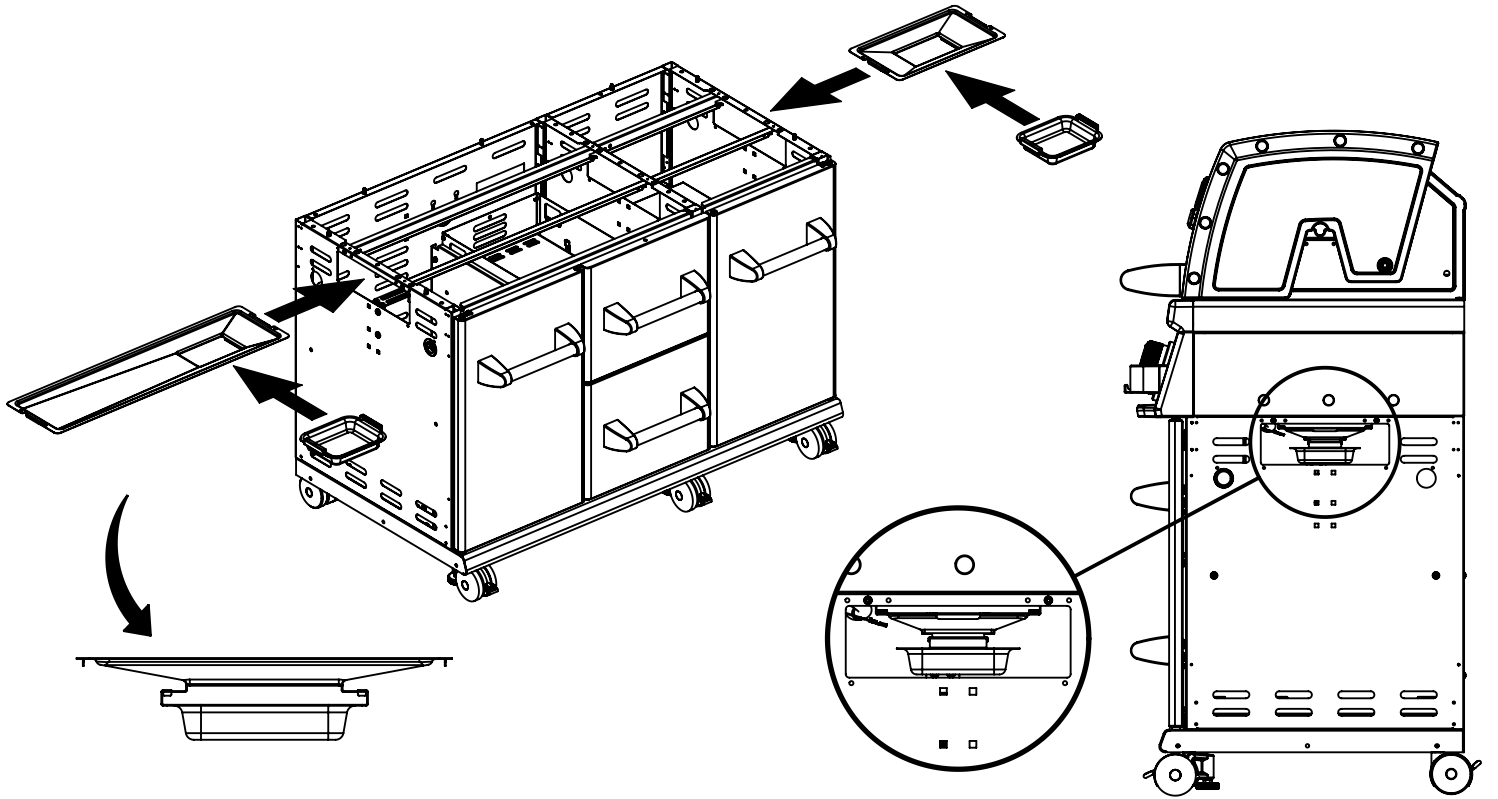
5



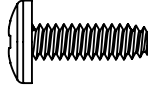


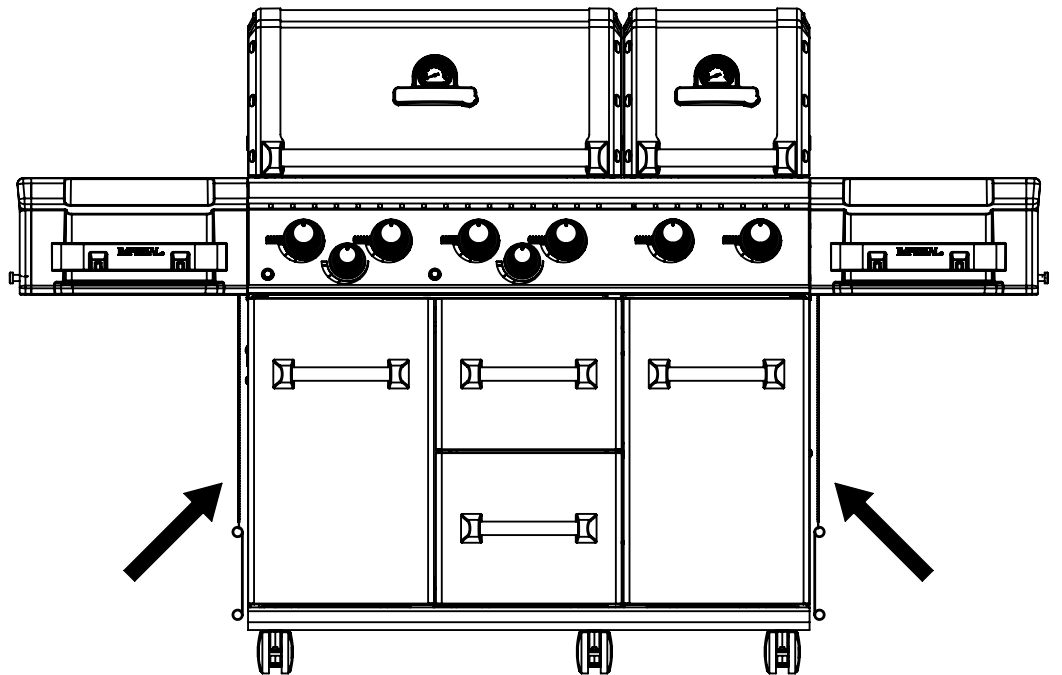
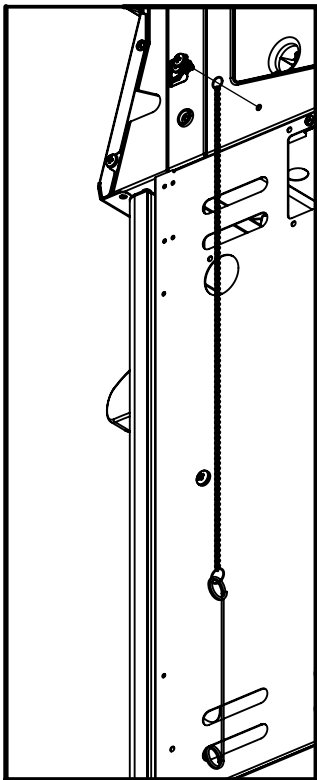


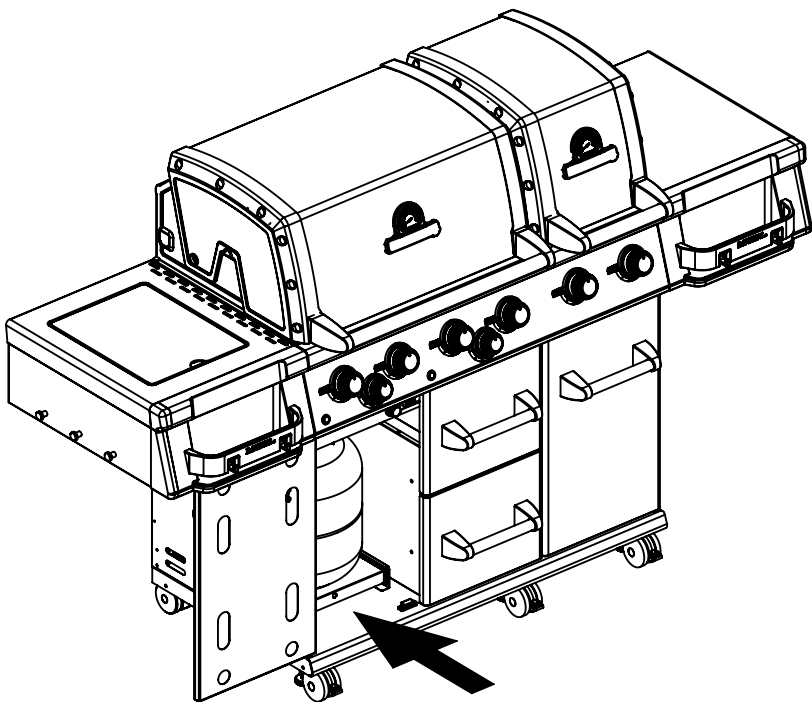
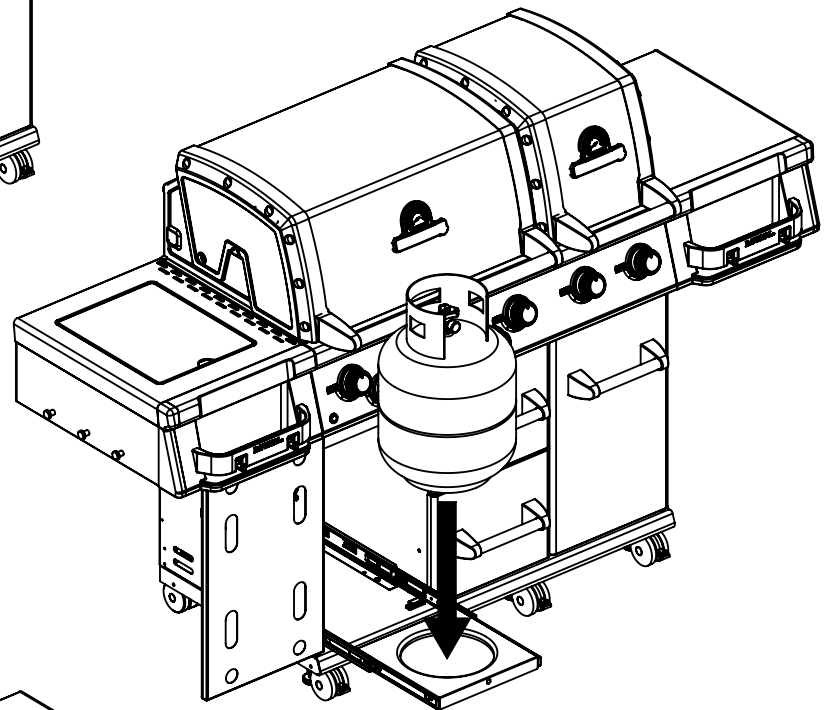
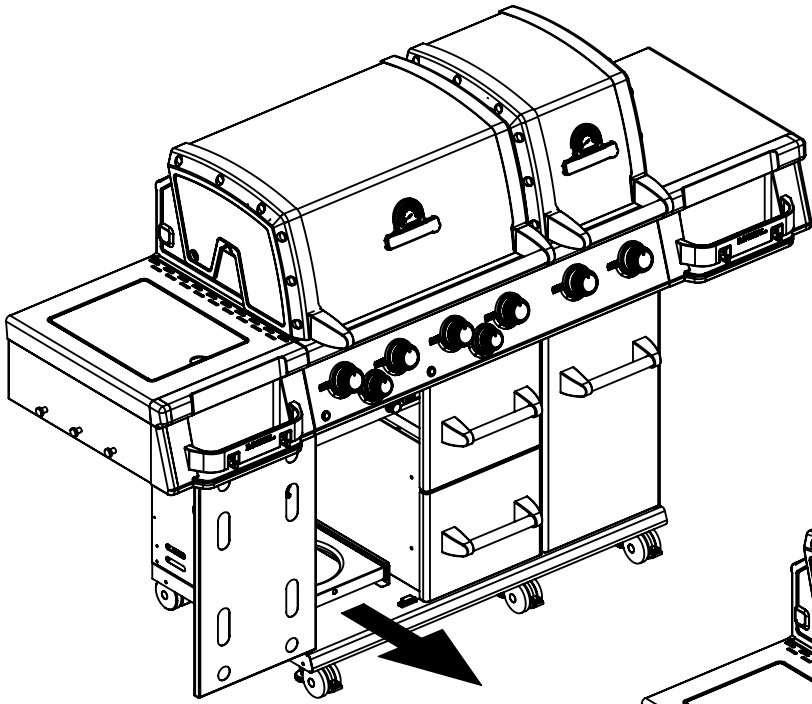
12

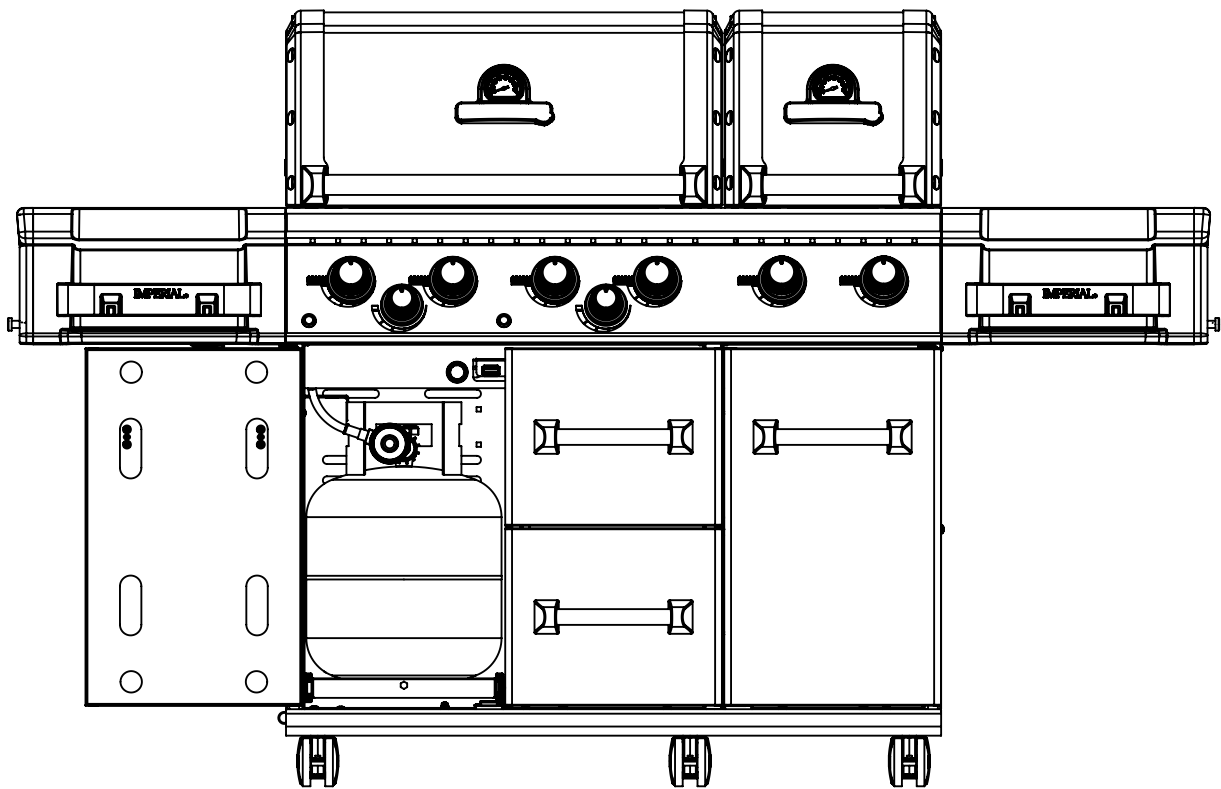
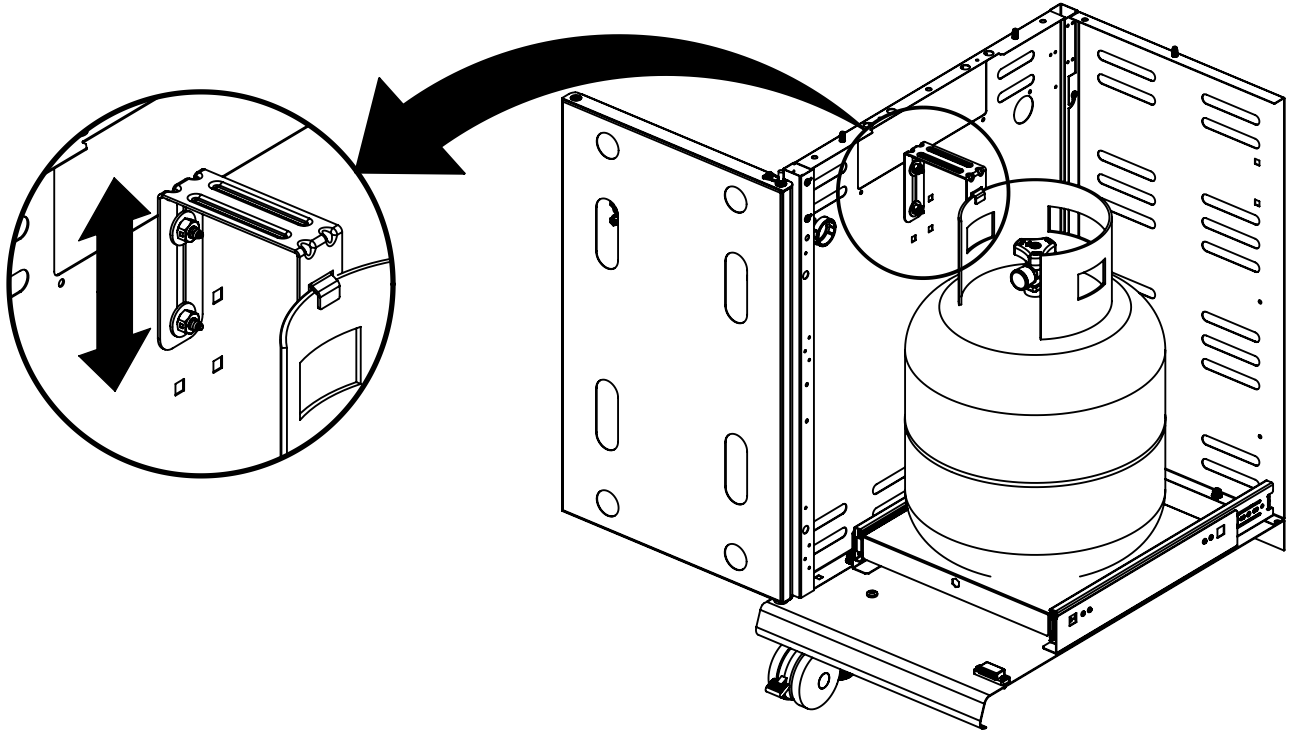


13

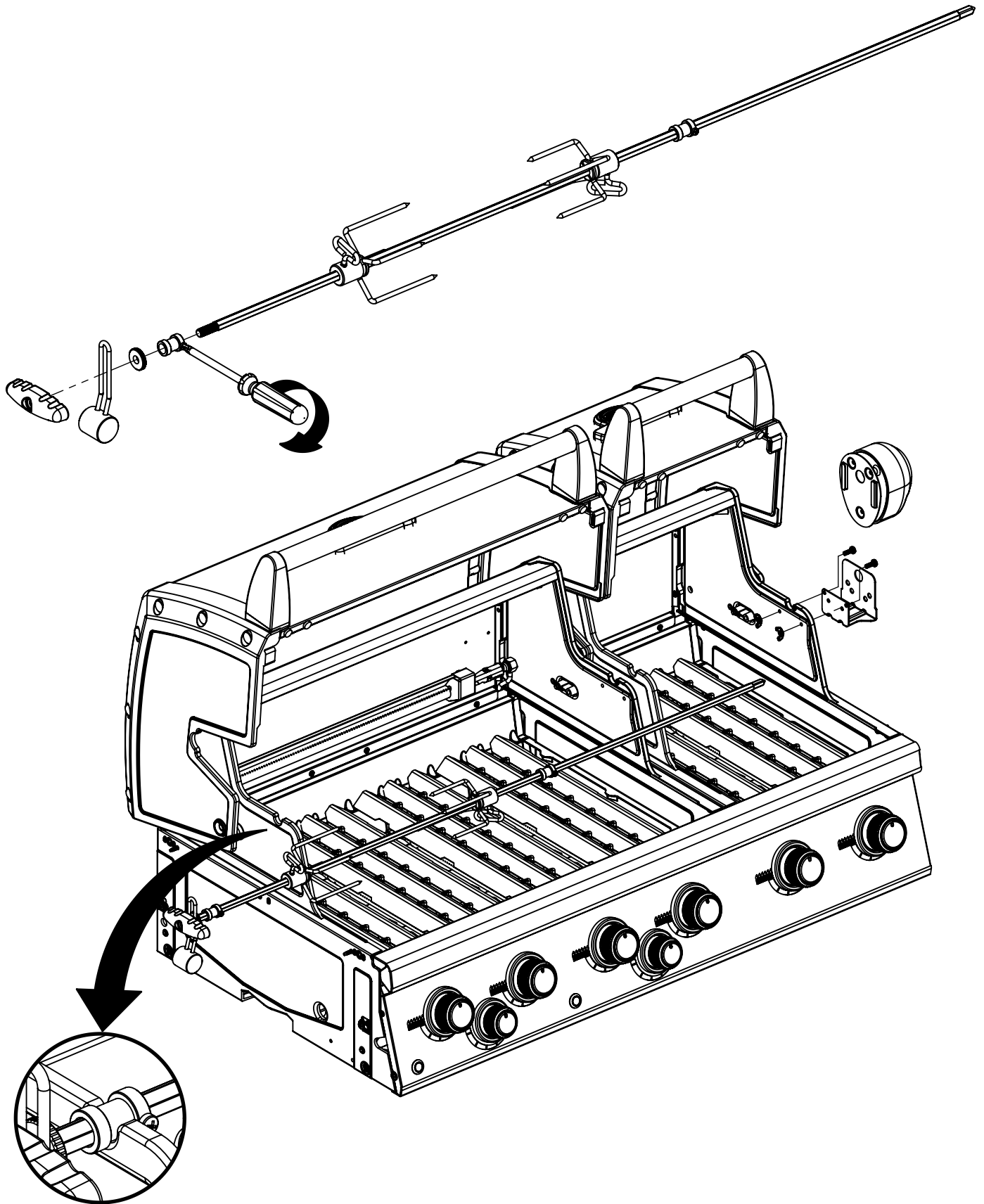
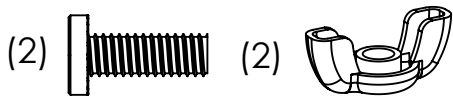
(2)  (2)







16



PARTS LIST / LISTE DES PIECES

| KEY # | ITEM # | DESCRIPTION | DESCRIPTION | 9577-44 | 9577-47 | 9578-44 | 9578-47 |
|-------|-------------|-----------------------------|--------------------------------|---------|---------|---------|---------|
| 1 | 87109-931 | PANEL - SIDE LEFT | PANNEAU - CÔTE GAUCHE | 2 | 2 | 2 | 2 |
| 2 | 87109-911 | PANEL - SIDE RIGHT | PANNEAU - CÔTE DROITE | 2 | 2 | 2 | 2 |
| 3 | 27205-014 | PANEL - FRONT INNER | PANNEAU FRONTAL ARRIERE | 1 | 1 | 1 | 1 |
| 3A | 27203-014 | PANEL - FRONT INNER | PANNEAU FRONTAL ARRIERE | 1 | 1 | 1 | 1 |
| 4 | 27205-924R | PANEL - INNER REAR | PANNEAU INTERIEUR ARRIERE | 1 | 1 | 1 | 1 |
| 4A | 27203-924R | PANEL - INNER REAR | PANNEAU INTERIEUR ARRIERE | 1 | 1 | 1 | 1 |
| 5 | 27245-904 | GREASE SHIELD | PROTECTION CONTRE LA GRAISSE | 1 | 1 | 1 | 1 |
| 5A | 27243-904 | GREASE SHIELD | PROTECTION CONTRE LA GRAISSE | 1 | 1 | 1 | 1 |
| 6 | 27005-91 | HEAT SHIELD | PROTECTION CONTRE LA CHALEUR | 3 | 3 | 3 | 3 |
| 6A | 27003-91 | HEAT SHIELD | PROTECTION CONTRE LA CHALEUR | 3 | 3 | 3 | 3 |
| 7 | Y-11544 | SCREW - BURNER | VIS - BRÛLEUR | 6 | 6 | 6 | 6 |
| 10 | 82305-021R | PANEL - REAR COOKBOX | PANNEAU - RECIPIENT | 1 | 1 | 1 | 1 |
| 10A | 82303-021R | PANEL - REAR COOKBOX | PANNEAU - RECIPIENT | 1 | 1 | 1 | 1 |
| 12 | 82315-021 | PANEL - HOOD | PANNEAU DE LA CUVE | 1 | 1 | 1 | 1 |
| 12A | 82313-021 | PANEL - HOOD | PANNEAU DE LA CUVE | 1 | 1 | 1 | 1 |
| 13 | 27035-701 | LIGHT PANEL - HOOD | PANNEAU LEGER DE LA CUVE | 1 | 1 | 1 | 1 |
| 13A | 27033-701 | LIGHT PANEL - HOOD | PANNEAU LEGER DE LA CUVE | 1 | 1 | 1 | 1 |
| 18 | 22022-284 | GRID | GRILLE | 2 | 2 | 2 | 2 |
| 18A | 22005-281 | GRID | GRILLE | 2 | 2 | 2 | 2 |
| 20 | 22005-991 | GRID - WARMING RACK | GRILLE - MAINTIEN AU CHAUD | 1 | 1 | 1 | 1 |
| 20A | 22003-991 | GRID - WARMING RACK | GRILLE - MAINTIEN AU CHAUD | 1 | 1 | 1 | 1 |
| 22 | 22225-014 | COLLECTOR BOX - FRONT LOWER | RECIPIENT - FRONTAL INFERIEUR | 1 | 1 | 1 | 1 |
| 22A | 22223-014 | COLLECTOR BOX - FRONT LOWER | RECIPIENT - FRONTAL INFERIEUR | 1 | 1 | 1 | 1 |
| 24 | 22215-014 | COLLECTOR BOX - FRONT UPPER | RECIPIENT - FRONTAL SUPERIEUR | 1 | 1 | 1 | 1 |
| 24A | 22213-014 | COLLECTOR BOX - FRONT UPPER | RECIPIENT - FRONTAL SUPERIEUR | 1 | 1 | 1 | 1 |
| 25 | 22909-104LP | BURNER | BRÛLEUR | 6 | 6 | 6 | 6 |
| 25 | 22909-104NG | BURNER | BRÛLEUR | 6 | 6 | 6 | 6 |
| 26 | 22001-769 | CONTROL KNOB | BOUTON DE CONTROLE | 6 | 6 | 6 | 6 |
| 26A | 22001-669 | CONTROL KNOB | BOUTON DE CONTROLE | 2 | 2 | 2 | 2 |
| 27 | 22002-264 | CONTROL BEZEL | MONTURE DE CONTROLE | 6 | 6 | 6 | 6 |
| 27A | 22001-164 | CONTROL BEZEL | MONTURE DE CONTROLE | 2 | 2 | 2 | 2 |
| 28 | 27028-494 | CONTROL COVER | PANNEAU DE CONTROLE | 1 | 1 | 1 | 1 |
| 34 | S13470-091 | HOSE-SIDE BURNER | TUYAU DU BRÛLEUR LATÉRAL | 1 | 1 | 1 | 1 |
| | | HOSE-SIDE BURNER | TUYAU DU BRÛLEUR LATÉRAL | 1 | 1 | 1 | 1 |
| 34A | Y-11230 | COTTER PIN | ATTACHE DE CHEVILLE | 1 | 1 | 1 | 1 |
| 35 | 29018-074 | CONTROL ASSEMBLY | SOUPAPE | 1 | 1 | 1 | 1 |
| | | CONTROL ASSEMBLY | SOUPAPE | 1 | 1 | 1 | 1 |
| 36 | 10342-T18 | ELECTRODE - SIDE BURNER | ÉLÉCTRODE - BRÛLEUR DE CÔTÉ | 1 | 1 | 1 | 1 |
| 37 | 20809-957 | TUBE-REAR BURNER ASSY | TUBE DE BRÛLEUR ARRIERE | 1 | 1 | 1 | 1 |
| 38 | Y-11990 | HEX NUT | ÉCROU | 1 | 1 | 1 | 1 |
| 40 | 10114-20 | HOSE & REGULATOR | TUYAU ET REGULATEUR PL | 1 | 1 | 1 | 1 |
| | | HOSE - NATURAL GAS | TUYAU POUR GAZ NATUREL | 1 | 1 | 1 | 1 |
| 43 | 10342-E13 | ELECTRODE | ELECTRODE | 2 | 2 | 2 | 2 |
| 43A | 10342-E22 | ELECTRODE | ELECTRODE | 1 | 1 | 1 | 1 |
| 44 | 10342-45 | ELECTRONIC IGNITOR | ALLUMAGE ÉLECTRONIQUE | 1 | 1 | 1 | 1 |
| 44A | 25070-92 | BUTTON - ELECTRONIC IGNITOR | BOUTON - ALLUMAGE ÉLECTRONIQUE | 1 | 1 | 1 | 1 |
| 47 | 21035-991 | GREASE RAIL | GUIDE DU BAC A GRAISSE | 2 | 2 | 2 | 2 |
| 47A | 21033-991 | GREASE RAIL | GUIDE DU BAC A GRAISSE | 2 | 2 | 2 | 2 |
| 48 | 22009-901 | GREASE PAN | CUVETTE A GRAISSE | 2 | 2 | 2 | 2 |
| 49 | 27055-901 | GREASE TRAY | PLATEAU A GRAISSE | 1 | 1 | 1 | 1 |
| 49A | 27053-901 | GREASE TRAY | PLATEAU A GRAISSE | 1 | 1 | 1 | 1 |
| 51 | 22209-904 | FLAV-R-WAVE® | FLAV-R-WAVE® | 6 | 6 | 6 | 6 |
| 52 | 86101-631 | SIDE PANEL - CRESENT LEFT | PANNEAU LATÉRAL - GAUCHE | 2 | 2 | 2 | 2 |
| 53 | 86101-611 | SIDE PANEL - CRESENT RIGHT | PANNEAU LATÉRAL - DROITE | 2 | 2 | 2 | 2 |
| 54 | 86305-611 | LID - OUTER PANEL | COUVERCLE - PANNEAU EXTERIEUR | 1 | 1 | 1 | 1 |
| | | LID - OUTER PANEL | COUVERCLE - PANNEAU EXTERIEUR | 1 | 1 | 1 | 1 |

PARTS LIST / LISTE DES PIECES

| KEY # | ITEM # | DESCRIPTION | DESCRIPTION | 9577-44 | 9577-47 | 9578-44 | 9578-47 |
|-------|-------------|--------------------------|-------------------------------------|---------|---------|---------|---------|
| 54A | 86303-611 | LID - OUTER PANEL | COUVERCLE - PANNEAU EXTERIEUR | 1 | 1 | • | • |
| | 86303-614 | LID - OUTER PANEL | COUVERCLE - PANNEAU EXTERIEUR | • | • | 1 | 1 |
| 55 | 86205-61 | LID - INNER PANEL | COUVERCLE - PANNEAU INTERIEUR | 1 | 1 | 1 | 1 |
| 55A | 86203-61 | LID - INNER PANEL | COUVERCLE - PANNEAU INTERIEUR | 1 | 1 | 1 | 1 |
| 56 | 24005-239 | HANDLE | POIGNÉE | 1 | 1 | 1 | 1 |
| 56A | 24003-239 | HANDLE | POIGNÉE | 1 | 1 | 1 | 1 |
| 58 | 26009-917 | HANDLE END CAP | PROTECTION BORD POIGNEE | 4 | 4 | 4 | 4 |
| 58A | 24009-938 | HANDLE STANDOFF | POIGNEE ENTRETOISE | 4 | 4 | 4 | 4 |
| 59 | 10081-BK630 | NAMEPLATE | PLAQUE D'IDENTIFICATION | 2 | 2 | 2 | 2 |
| 60 | 10571-6 | HEAT INDICATOR | INDICADORE DE TEMPERATURA | 2 | 2 | 2 | 2 |
| 65 | 20005-000 | MATCH LIGHT - STICK | ALLUMETTES | 2 | 2 | 2 | 2 |
| 68 | 21175-111A | DOOR | PORTE | 1 | 1 | • | • |
| | 21175-114A | DOOR | PORTE | • | • | 1 | 1 |
| 69 | 21175-131A | DOOR | PORTE | 1 | 1 | • | • |
| | 21175-134A | DOOR | PORTE | • | • | 1 | 1 |
| 70 | 21079-906 | HANDLE END CAP | PROTECTION BORD POIGNEE | 8 | 8 | 8 | 8 |
| 71 | 21171-23 | HANDLE - SMALL | PETITE POIGNEE | 4 | 4 | 4 | 4 |
| 74 | Y-99100 | DRAWER SLIDE | GLISSIÈRE DE TIROIR | 3 | 3 | 3 | 3 |
| 75 | 21365-901 | DRAWER FRONT - OUTER | PLAQUE FRONTALE DU TIROIR EXTERIEUR | 2 | 2 | • | • |
| | 21365-904 | DRAWER FRONT - OUTER | PLAQUE FRONTALE DU TIROIR EXTERIEUR | 2 | 2 | 2 | 2 |
| 76 | 21265-901 | DRAWER FRONT - INNER | TIROIR | 2 | 2 | 2 | 2 |
| 77 | 21269-901 | DRAWER | TIROIR | 3 | 3 | 3 | 3 |
| 78 | 21335-111 | BRACKET - DOOR CATCH | PARENTHÈSE - CROCHET DE PORTE | 1 | 1 | 1 | 1 |
| 78A | 21333-921 | BRACKET - DOOR CATCH | PARENTHÈSE - CROCHET DE PORTE | 1 | 1 | 1 | 1 |
| 80 | 21109-905R | SIDE PANEL | PANNEAU LATÉRAL | 3 | 3 | 3 | 3 |
| 82 | 25208-201R | SHELF - CABINET | L'ETAGÈRE - LE CABINET | 1 | 1 | 1 | 1 |
| 83 | 21065-901R | DRAWER CENTER MOUNT | PLAQUE CENTRALE DE MONTAGE TIROIR | 1 | 1 | 1 | 1 |
| 84 | 21069-901 | DRAWER SUPPORT | SUPPORT TIROIR | 2 | 2 | 2 | 2 |
| 85 | 21526-391 | BRACKET - TANK BASE | SUPPORT DU RESERVOIR | 1 | • | 1 | • |
| 86 | Y-99101 | SLIDE - TANK BASE | TIROIR TABLETTE DE BARBONE | 1 | • | 1 | • |
| 87 | 21526-371 | BASE - TANK | TABLETTE INFÉRIEUR | 1 | • | 1 | • |
| 88 | 21305-925R | PANEL - REAR | PANNEAU - ARRIÈRE | 1 | 1 | 1 | 1 |
| 88A | 25308-925R | PANEL - REAR | PANNEAU - ARRIÈRE | 1 | 1 | 1 | 1 |
| 90 | 25098-955R | BASE | TABLETTE INFÉRIEURE | 1 | 1 | 1 | 1 |
| 100 | 21039-911 | BRACKET - CASTOR SUPPORT | SUPPORT DE ROULETTE | 3 | 3 | 3 | 3 |
| 102 | 10892-23 | CASTOR | ROULETTES | 3 | 3 | 3 | 3 |
| 102A | 10892-285 | CASTOR | ROULETTES | 3 | 3 | 3 | 3 |
| 103 | 21009-951 | BRACKET - CYLINDER LP | SUPPORT DU RESERVOIR PL | 1 | • | 1 | • |
| 110 | 23729-351 | SHELF SUPPORT | SUPPORT DU PLANCHETTE LATÉRALE | 2 | 2 | 2 | 2 |
| 111 | 23729-341 | SHELF SUPPORT | SUPPORT DU PLANCHETTE LATÉRALE | 2 | 2 | 2 | 2 |
| 112 | 23512-431 | SHELF FRONT | PLANCHETTE FRONTALE | 1 | 1 | 1 | 1 |
| 113 | 23512-411 | SHELF FRONT | PLANCHETTE FRONTALE | 1 | 1 | 1 | 1 |
| 114 | 23102-614 | SHELF | PLANCHETTE LATÉRALE | 1 | 1 | 1 | 1 |
| 115 | 23102-654 | SHELF -SIDEBURNER | PLANCHETTE - BRÛLEUR DE CÔTÉ | 1 | 1 | 1 | 1 |
| 117 | 23002-205 | SHELF STRAP | FIXATION PLAQUETTE | 2 | 2 | 2 | 2 |
| 120 | 23729-614 | SHELF SUPPORT | SUPPORT DU PLANCHETTE LATÉRALE | 1 | 1 | 1 | 1 |
| 124 | 23000-271 | SHELF -SIDE BURNER | PLANCHETTE LATÉRAL DU BRÛLEUR | 1 | 1 | 1 | 1 |
| 125 | 23000-254 | COVER-SIDE BURNER | COUVERCLE LATÉRAL DU BRÛLEUR | 1 | 1 | 1 | 1 |
| 126 | 10390-R81A | SIDE BURNER | BRÛLEUR DE CÔTÉ | 1 | 1 | 1 | 1 |
| 128 | 23009-98 | GRID | GRILLE | 1 | 1 | 1 | 1 |
| 130 | 27905-354 | BURNER ROTISSERIE | BRÛLEUR DE TOURNEBROCHE | 1 | 1 | 1 | 1 |
| 131 | 10693-109 | REAR BURNER-ORIFICE | ORIFICE DU BRÛLEUR ARRIÈRE | 1 | • | 1 | • |
| | 10693-132 | REAR BURNER-ORIFICE | ORIFICE DU BRÛLEUR ARRIÈRE | • | • | 1 | • |
| 133 | S15271 | HANDLE | POIGNEE | 1 | 1 | 1 | 1 |
| 134 | S15270 | BALANCER | CONTREPOIS | 1 | 1 | 1 | 1 |
| 135 | S15299 | WASHER | RONDELLE | 1 | 1 | 1 | 1 |

PARTS LIST / LISTE DES PIECES

| KEY # | ITEM # | DESCRIPTION | DESCRIPTION | DESCRIPTION | 9577-44 | 9577-47 | 9578-44 | 9578-47 |
|-------|-----------|---------------------------|--------------------------------------|-----------------------------------|---------|---------|---------|---------|
| 136 | S15263 | BUSHING | COL | COJINETE | 1 | 1 | 1 | 1 |
| 137 | S15260 | SPIT ROD | BROCHETTE | BARRA ROSTIZADORA | 1 | 1 | 1 | 1 |
| 138 | S15287 | 4 PRONG FORKS | FOURCHETTE A 4 FOURCHON | HORQUILLAS DE 4 PUNTAS | 1 | 1 | 1 | 1 |
| 139 | 57039-901 | ROTTISERIE BRACKET | SUPPORT | SOPORTE DEL ROSTIZADOR | 1 | 1 | 1 | 1 |
| 140 | S21125 | SCREW #8 X 1/2 | VIS #8 X 1/2 | TORNILLO #8 X 1/2 | 34 | 34 | 34 | 34 |
| 141 | Y-12310 | SCREW 1/4-20 X 3/4 | VIS 1/4-20 X 3/4 | TORNILLO 1/4-20 X 3/4 | 8 | 8 | 8 | 8 |
| 143 | Y-12285 | BOLT 1/4-20 X 3/8 | BOULON 1/4-20 X 3/8 | PERNO - 1/4-20 X 3/8 | 48 | 48 | 48 | 48 |
| 144 | Y-12220 | BUSHING | DOUILLE | COJINETE | 1 | 1 | 1 | 1 |
| 145 | S21235 | HINGE PIN | GOUPILLE DE CHARNIÈRE | CLAVIJA DE BISAGRA | 2 | 2 | 2 | 2 |
| 145A | 10240-17 | HINGE PIN | GOUPILLE DE CHARNIÈRE | CLAVIJA DE BISAGRA | 1 | 1 | 1 | 1 |
| 146 | S21233 | HITCH PIN CLIP | ATTACHE DE CHEVILLE | GANCHO PARA EL REMOLQUE | 9 | 9 | 9 | 9 |
| 147 | Y-11231 | LID BUMPER | BUTOIR DU COUVERCLE | TOPE DE LA TAPA | 4 | 4 | 4 | 4 |
| 147A | SP11-25 | LID BUMPER | BUTOIR DU COUVERCLE | TOPE DE LA TAPA | 4 | 4 | 4 | 4 |
| 148 | 10240-20 | DOOR PIN | GOUPILLE DE LA PORTE | CLAVIJA DE LA PUERTA | 2 | 2 | 2 | 2 |
| 149 | 10240-19 | DOOR PIN | GOUPILLE DE LA PORTE | CLAVIJA DE LA PUERTA | 2 | 2 | 2 | 2 |
| 150 | Y-12124 | DOOR PIN CAP | PORTE PIN PAC | TAPA DE CLAVIJA DE LA PUERTA | 2 | 2 | 2 | 2 |
| 151 | Y-11567 | SCREW M8 SHOULDER | VIS M8 SHOULDER | TORNILLO - DE HOMBRO M8 | 8 | 8 | 8 | 8 |
| 152 | Y-12222 | MAGNET | AIMANT | IMÁN | 2 | 2 | 2 | 2 |
| 153 | Y-12223 | SNAP IN MAGNET | AIMANT | IMÁN DE AJUSTE | 2 | 2 | 2 | 2 |
| 154 | Y-11560 | SCREW 1/4-20 X 1-1/2 | VIS 1/4-20 X 1-1/2 | TORNILLO 1/4-20 X 1-1/2 | 12 | 12 | 12 | 12 |
| 155 | S21124 | SCREW #8 X 1/2 | VIS #8 X 1/2 | TORNILLO #8 X 1/2 | 79 | 79 | 79 | 79 |
| 156 | Y-11793 | NUT 1/4-20 | ECROU 1/4-20 | TUERCA 1/4-20 | 36 | 36 | 36 | 36 |
| 157 | Y-12835 | SCREW #6-32 X 1/4 | VIS #6-32 X 1/4 | TORNILLO #6-32 X 1/4 | 2 | 2 | 2 | 2 |
| 158 | Y-12646 | SCREW - SHOULDER #8 X 1/2 | VIS #8 X 1/2 | TORNILLO - DE HOMBRO #8 X 1/2 | 2 | 2 | 2 | 2 |
| 159 | S21136 | SCREW #8-32 X 3/8 | VIS #8-32 X 3/8 | TORNILLO #8 -32 X 3/8 | 12 | 12 | 12 | 12 |
| 160 | Y-29304 | BOLT #10-24 X 3/8 | BOULON #10-24 X 3/8 | PERNO #10-24 X 3/8 | 68 | 68 | 68 | 68 |
| 161 | Y-29310 | SCREW #10-24 X 3/4 | VIS #10-24 X 3/4 | TORNILLO #10-24 X 3/4 | 12 | 12 | 12 | 12 |
| 162 | S35095 | SCREW #10-24 X 5/8 | VIS #10-24 X 5/8 | TORNILLO #10-24 X 5/8 | 2 | 2 | 2 | 2 |
| 163 | S35094 | SCREW #10-24 X 5/8 | VIS #10-24 X 5/8 | TORNILLO #10-24 X 5/8 | 8 | 8 | 8 | 8 |
| 164 | S21084 | SCREW #14 X 5/8 | VIS #14 X 5/8 | TORNILLO #14 X 5/8 | 8 | 8 | 8 | 8 |
| 165 | Y-12127 | DOOR CLIP | TROMBONE DE PORTE | GANCHO DE PUERTA | 2 | 2 | 2 | 2 |
| 166 | Y-11981 | BOLT 1/4-20 X 3/4 | BOULON 1/4-20 X 3/4 | PERNO - 1/4-20 X 3/4 | 24 | 24 | 24 | 24 |
| 167 | Y-11987 | BOLT 1/4-20 X 1 | BOULON 1/4-20 X 1 | PERNO 1/4-20 X 1 | 6 | 6 | 6 | 6 |
| 168 | Y-11208 | WASHER | RONDELLE | ARANDELA | 2 | 2 | 2 | 2 |
| 169 | S21061 | WING NUT | ECROU PAPILLON | TUERCA MARIPOSA | 2 | 2 | 2 | 2 |
| 170 | Y-12084 | NUT - 10-24 | ECROU - 10-24 | TUERCA 10-24 | 10 | 10 | 10 | 10 |
| 171 | S15236 | MOTOR | MOTEUR | MOTOR | 1 | 1 | 1 | 1 |
| 172 | 23502-507 | WASHER | RONDELLE | ARANDELA | 6 | 6 | 6 | 6 |
| 173 | S21362 | SPRING | RESSORT | RESORTE | 1 | 1 | 1 | 1 |
| 174 | S21255 | WASHER | RONDELLE | ARANDELA | 2 | • | 2 | • |
| 175 | Y-11546 | SCREW 1/4-20 X 5/8 | VIS 1/4-20 X 5/8 | TORNILLO - DE HOMBRO 1/4-20 X 5/8 | 2 | • | 2 | • |
| 181 | 25070-91 | LIGHT SWITCH | COMMUTATEUR LEGER | INTERRUPTOR DE LA LUZ | 1 | 1 | 1 | 1 |
| 182 | 25020-71 | OVEN LIGHT | LUMIERE DE FOUR | LUZ DEL HORNO | 3 | 3 | 3 | 3 |
| 183 | 25090-90 | POWER BAR | BARRE ELECTRIQUE | BARRA DE ENERGIA | 1 | 1 | 1 | 1 |
| 184 | 25080-90 | TRANSFORMER | TRANSFORMATEUR | TRANSFORMADOR | 1 | 1 | 1 | 1 |
| 185 | 25030-72 | WIRE - OVEN LIGHT | LE FIL - LUMIERE DE FOUR | DE ALAMBRE - LUZ DEL HORNO | 1 | 1 | 1 | 1 |
| 186 | 25030-70 | WIRE - OVEN LIGHT | LE FIL - LUMIERE DE FOUR | DE ALAMBRE - LUZ DEL HORNO | 1 | 1 | 1 | 1 |
| 187 | Y-11795 | NUT 1/4-20 | ECROU 1/4-20 | TUERCA 1/4-20 | 2 | • | 2 | • |
| 188 | Y-12865 | BOLT 1/4-20 X 1/2 | BOULON 1/4-20 X 1/2 | TORNILLO 1/4-20 X 1/2 | 44 | 40 | 44 | 40 |
| 189 | 25050-74 | WIRE - TRANSFORMER | LE FIL - TRANSFORMATEUR | DE ALAMBRE - TRANSFORMADOR | 1 | 1 | 1 | 1 |
| 190 | 25050-73 | WIRE - OVEN LIGHT | LE FIL - LUMIERE DE FOUR | DE ALAMBRE - LUZ DEL HORNO | 1 | 1 | 1 | 1 |
| 193 | 25020-84 | WIRE - LED LIGHT | LE FIL - DIODES ÉLECTROLUMINESCENTES | DE ALAMBRE - DIODO LUMINOSO | 2 | 2 | 2 | 2 |

